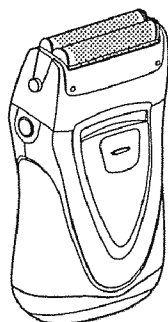


Service Manual

Wet/Dry Compact Shaver

ES4815-A3



SPECIFICATIONS

Power source	DC3V (Two size AAA alkaline batteries <LR03>)
Weight	100g (excluding the batteries)
Supplied accessories	Cleaning brush Soft case

WARNING

This service information is designed for experienced repair technicians only and is not designed for use by the general public. It does not contain warnings or cautions to advise non-technical individuals of potential dangers in attempting to service a product. Products powered by electricity should be serviced or repaired only by experienced professional technicians. Any attempt to service or repair the product or products dealt with in this service information by anyone else could result in serious injury or death.

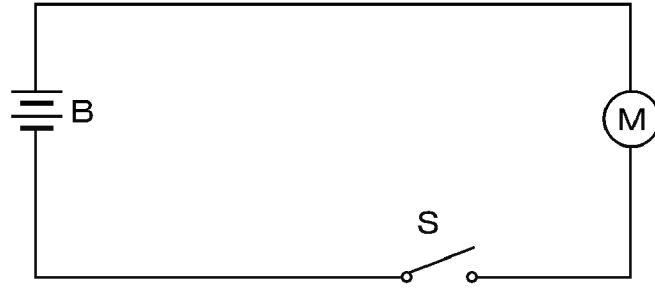
CONTENTS

	Page		Page
1 SCHEMATIC DIAGRAM	2	3 EXPLODED VIEW	3
2 TROUBLESHOOTING GUIDE	2	4 REPLACEMENT PARTS LIST	3

Panasonic

© 2003 Matsushita Electric Works, Ltd. All rights reserved. Unauthorized copying and distribution is a violation of law.

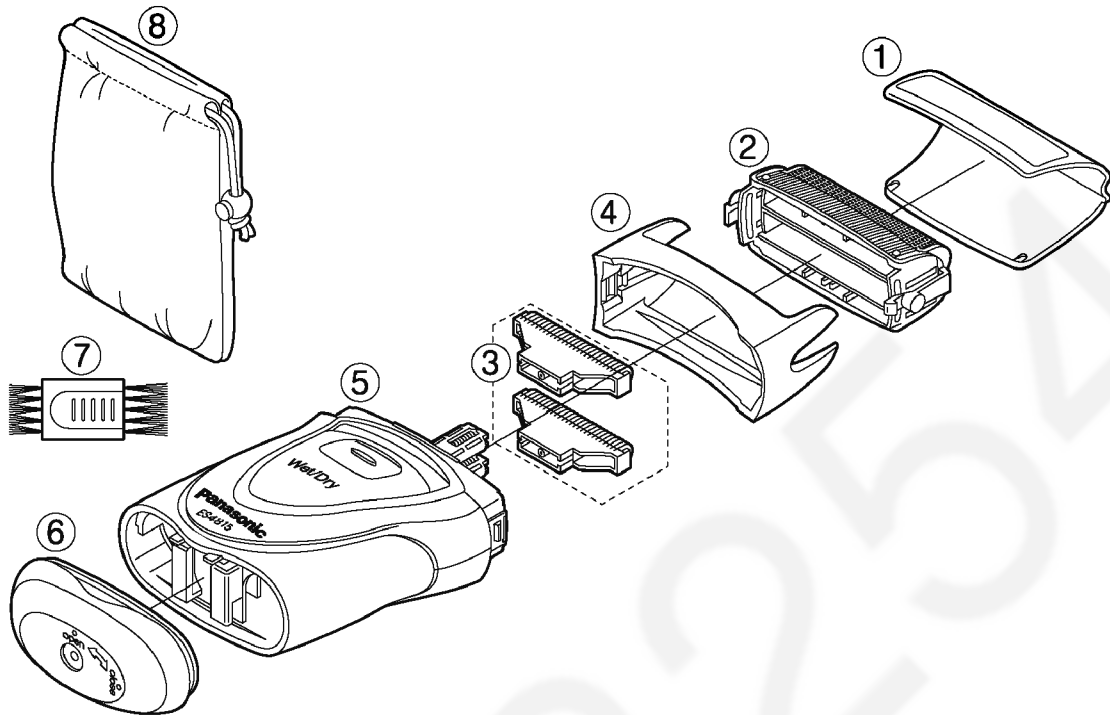
1 SCHEMATIC DIAGRAM



2 TROUBLESHOOTING GUIDE

<TROUBLE>	<CHECK.>	<REMEDY>
Does not operate. Motor does not rotate.	<p data-bbox="614 651 879 678"><CHECK DRY BATTERY.></p> <p data-bbox="440 678 1066 712">→ Check the battery's life or the direction of the battery.</p>	<p data-bbox="1066 651 1428 678">NO</p> <p data-bbox="1114 651 1428 712">→ Replace dry batteries. Re-insert batteries.</p>
↓ OK		
<p data-bbox="600 797 895 824"><CHECK BATTERY COVER.></p> <p data-bbox="440 824 1066 857">→ Check the condition of metal contact inside of battery cover.</p>		
<p data-bbox="1066 797 1428 824">NO</p> <p data-bbox="1114 797 1428 857">→ Repair the metal contact or replace battery cover.</p>		
↓ OK		
<p data-bbox="651 943 847 972">Replace body block.</p>		

3 EXPLODED VIEW



4 REPLACEMENT PARTS LIST

NOTE:

*A=available as an optional accessory

*B=only available as set

*C=available individually

Ref. No.	Part No.	Part Name & Description	Remarks	Per Unit
1	WES4815X7158	PROTECTIVE CAP	(BG)	1
2	WES9837EP	OUTER FOIL		1
3	WES9850EP	INNER BLADE		1
4	WES4815S0048	FOIL FRAME	(BG)	1
5	WES4815A3038	BODY BLOCK	indicated the country of origin	1
5	WES4815A3039	BODY BLOCK	(BG)	1
5	WES4815A3030	BODY BLOCK	for TAIWAN	1
6	WES4815X4368	BATTERY COVER	(BG)	1
7	WES861B7057	CLEANING BRUSH		1
8	WES3830K7247	SOFT CASE	(BG)	1
-	WES4815S8008	INDIVIDUAL BOX	indicated the country of origin	1
-	WES4815S8009	INDIVIDUAL BOX	(BG)	1
-	WES4815S8108	OPERATING INSTRUCTIONS	(BG)	1