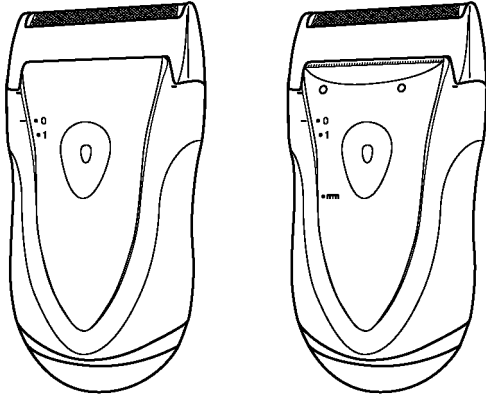


Service Manual

Wet/Dry Battery Shaver

Model No. **ES3831**
ES3832
ES3833



Asia

⚠ WARNING

This service information is designed for experienced repair technicians only and is not designed for use by the general public. It does not contain warnings or cautions to advise non-technical individuals of potential dangers in attempting to service a product. Products powered by electricity should be serviced or repaired only by experienced professional technicians. Any attempt to service or repair the product or products dealt with in this service information by anyone else could result in serious injury or death.

IMPORTANT SAFETY NOTICE

There are special components used in this equipment which are important for safety. These parts are marked by **⚠** in the Schematic Diagrams, Circuit Board Diagrams, Exploded Views and Replacement Parts List. It is essential that these critical parts should be replaced with manufacturer's specified parts to prevent shock, fire or other hazards. Do not modify the original design without permission of manufacturer.

TABLE OF CONTENTS

	PAGE	PAGE
1 Warning -----	2	
2 Specifications -----	2	
3 Schematic Diagram -----	2	
4 Exploded View and Replacement Parts List -----	3	

1 Warning

Caution:

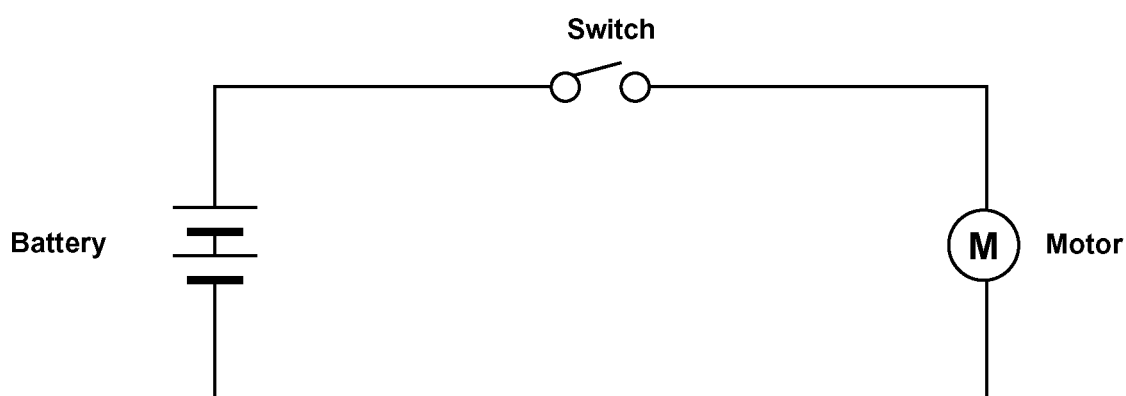
- Pb free solder has a higher melting point than standard solder; Typically the melting point is 50 - 70°F (30 - 40°C) higher. Please use a soldering iron with temperature control and adjust it to 750 ± 20°F (400 ± 10°C). In case of using high temperature soldering iron, please be careful not to heat too long.
- Pb free solder will tend to splash when heated too high (about 1100°F / 600°C).

2 Specifications

Power source	DC 3.0V (Two AA (LR06) alkaline dry-cell batteries)
Weight (without batteries)	120g (ES3831 and ES3832) 125g (ES3833)

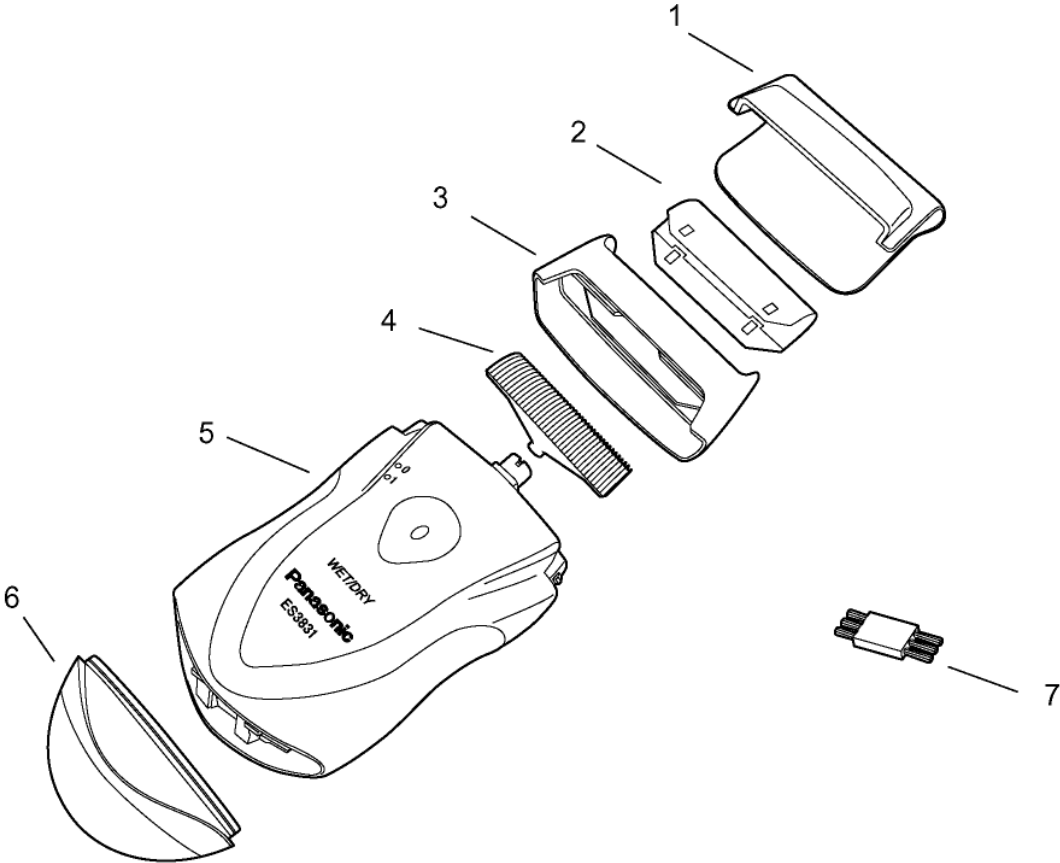
Supplied accessories	Cleaning brush
	Travel case (ES3832 and ES3833 only)

3 Schematic Diagram



4 Exploded View and Replacement Parts List

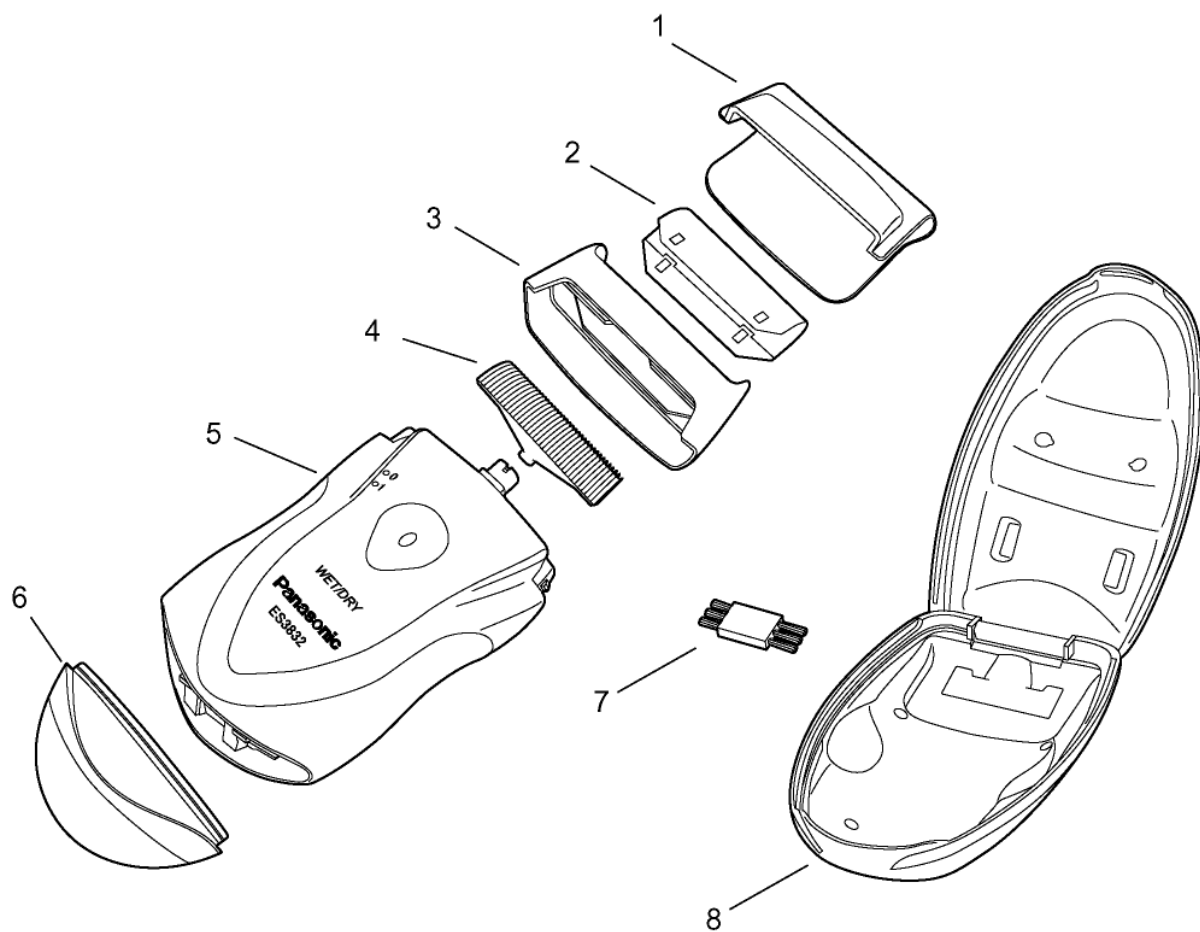
Model No. : ES3831 Exploded View for ES3831



Model No. : ES3831 Parts List

Safety	Ref. No.	Part No.	Part Name & Description	Q'ty	Remarks
ES3831					
	1	WES3831X7158	PROTECTIVE CAP	1	[BG]
	2	WES9941EP	OUTER FOIL	1	
	3	WES3831K0048	FOIL FRAME	1	[BG]
	4	WES9942EP	INNER BLADE	1	
	5	WES3831K3038	BODY BLOCK	1	[BG]
	6	WES3831K4368	BATTERY COVER	1	[BG]
	7	WES3833K7058	CLEANING BRUSH	1	[BG]
	-	WES3831K8008	INDIVIDUAL BOX	1	[BG]
	-	WES3833S8108	OPERATING INSTRUCTIONS	1	[BG]

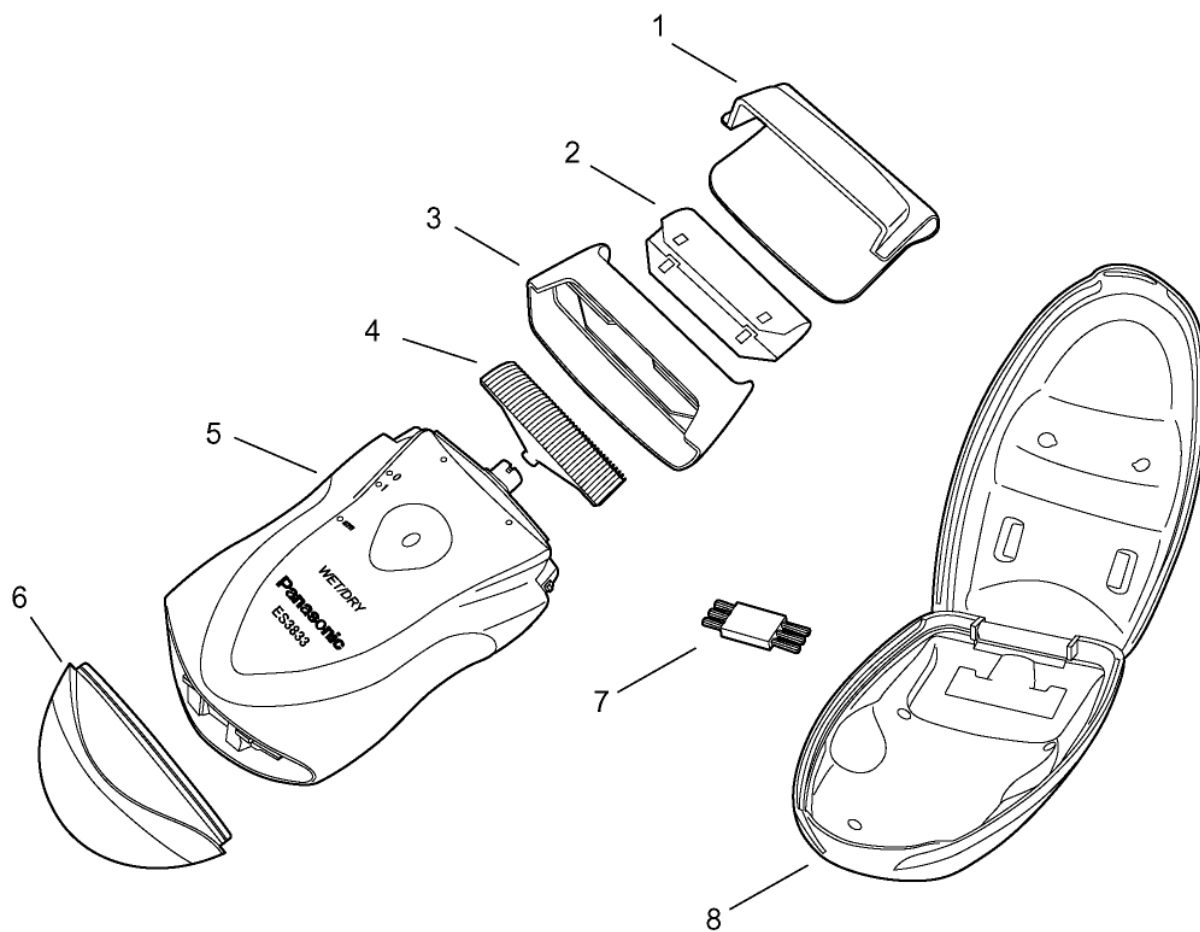
Model No. : ES3832 Exploded View for ES3832



Model No. : ES3832 Parts List

Safety	Ref. No.	Part No.	Part Name & Description	Q'ty	Remarks
ES3832					
	1	WES3831X7158	PROTECTIVE CAP	1	[BG]
	2	WES9941EP	OUTER FOIL	1	
	3	WES3833S0048	FOIL FRAME	1	[BG]
	4	WES9942EP	INNER BLADE	1	
	5	WES3832S3038	BODY BLOCK	1	[BG]
	6	WES3831K4368	BATTERY COVER	1	[BG]
	7	WES3833K7058	CLEANING BRUSH	1	[BG]
	8	WES3833S7028	TRAVEL CASE	1	[BG]
	-	WES3832S8008	INDIVIDUAL BOX	1	[BG]
	-	WES3833S8108	OPERATING INSTRUCTIONS	1	[BG]

Model No. : ES3833 Exploded View for ES383



Model No. : ES3833 Parts List

Safety	Ref. No.	Part No.	Part Name & Description	Q'ty	Remarks
ES3832					
	1	WES3833X7158	PROTECTIVE CAP	1	[BG]
	2	WES9941EP	OUTER FOIL	1	
	3	WES3833S0048	FOIL FRAME	1	[BG]
	4	WES9942EP	INNER BLADE	1	
	5	WES3833S3038	BODY BLOCK	1	[BG]
	6	WES3833S4368	BATTERY COVER	1	[BG]
	7	WES3833K7058	CLEANING BRUSH	1	[BG]
	8	WES3833S7028	TRAVEL CASE	1	[BG]
	-	WES3833S8008	INDIVIDUAL BOX	1	[BG]
	-	WES3833S8108	OPERATING INSTRUCTIONS	1	[BG]