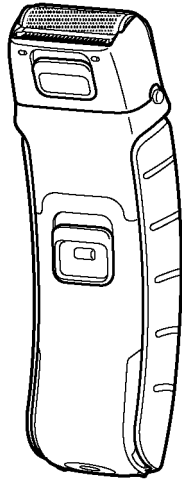


# Service Manual

Rechargeable Body Shaver

Model No. **ES2263**  
**ES2265**


Asia  
Middle East



## **WARNING**

This service information is designed for experienced repair technicians only and is not designed for use by the general public. It does not contain warnings or cautions to advise non-technical individuals of potential dangers in attempting to service a product. Products powered by electricity should be serviced or repaired only by experienced professional technicians. Any attempt to service or repair the product or products dealt with in this service information by anyone else could result in serious injury or death.

## **IMPORTANT SAFETY NOTICE**

There are special components used in this equipment which are important for safety. These parts are marked by  in the Schematic Diagrams, Circuit Board Diagrams, Exploded Views and Replacement Parts List. It is essential that these critical parts should be replaced with manufacturer's specified parts to prevent shock, fire or other hazards. Do not modify the original design without permission of manufacturer.

## TABLE OF CONTENTS

	PAGE	PAGE
1 Warning-----	2	
2 Specifications -----	2	
3 Troubleshooting Guide-----	3	
4 Disassembly and Assembly Instructions -----	4	
5 Exploded View and Replacement Parts List -----	6	

# Panasonic

© Panasonic Electric Works Co., Ltd. 2008.  
All rights reserved. Unauthorized copying and distribution is a violation of law.

# 1 Warning

## Caution:

- Pb free solder has a higher melting point than standard solder; Typically the melting point is 50 - 70°F (30 - 40°C) higher. Please use a soldering iron with temperature control and adjust it to 750 ± 20°F (400 ± 10°C). In case of using high temperature soldering iron, please be careful not to heat too long.
- Pb free solder will tend to splash when heated too high (about 1100°F / 600°C).

# 2 Specifications

Power source	AC 100-240V, 50-60Hz
Power consumption	Approx. 2W (when charging)
Motor voltage	1.2V DC
Charging time	8 hours
Weight	Approx. 197g without comb attachment

Supplied accessories	Comb attachment (3mm, 6mm and 9mm)
	Comb attachment for beards (for ES2265 only)
	Cleaning brush
	Oil

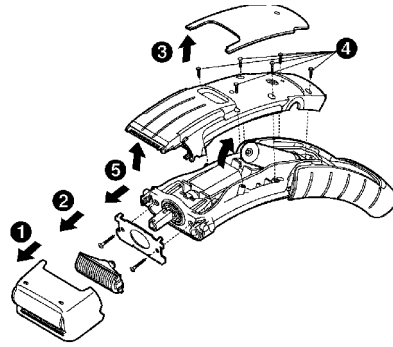
# 3 Troubleshooting Guide

<TROUBLE>	<CHECK>	<REMEDY>
Motor does not rotate. Does not charge.	<p align="center">&lt;CHECK CHARGING ADAPTOR.&gt;</p> Connect the rated voltage to the normal main unit setting onto the adaptor. Check if the charging lamp of main unit is lit.	NO → Replace charging adaptor.
	↓ OK	
	<p align="center">&lt;CHECK RECHARGEABLE BATTERY.&gt;</p> Okay if the voltage of rechargeable battery is more than approximately 1.2V DC between (+) and (-) terminals.	NO → Replace battery.
	↓ OK	
	<p align="center">&lt;CHECK MODULE.&gt;</p> Connect the rated voltage to the main unit returned from a customer by the normal charging adaptor. Check if the LED is lit.	NO → Check the soldering points.
		↓ OK
		Replace chassis assembly.
	↓ OK	
	<p align="center">&lt;CHECK BLADE.&gt;</p> Confirm if the blade keeps clean without beard/hair chips or a hairdressing piled on.	NO → Clean blade or oiling a drop on the blade.
	↓ OK	
	<p align="center">&lt;CHECK SWITCH.&gt;</p> Confirm the condition on the contact spring.	NO → Adjust and clean contact point if necessary.
	↓ OK	
	<p align="center">&lt;CHECK MOTOR.&gt;</p> The motor should turn when 1.2V DC is applied to terminals.	NO → Replace motor.
	↓ OK	
	<p align="center">&lt;CHECK RECHARGEABLE BATTERY.&gt;</p> Okay if the voltage of rechargeable battery is more than approximately 1.2V DC between (+) and (-) terminals. If the voltage is more than 1.2V DC but the trimmer can be used only a few minutes, battery may be defective.	NO → Replace rechargeable battery.

# 4 Disassembly and Assembly Instructions

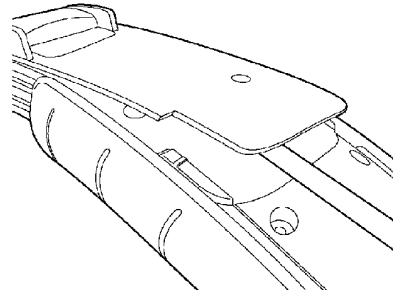
## 4.1. Disassembly Instructions

1. Remove the outer foil.



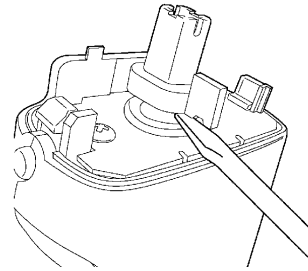
2. Take out the inner blade.

3. Insert the slotted-head driver to lift the panel B up.



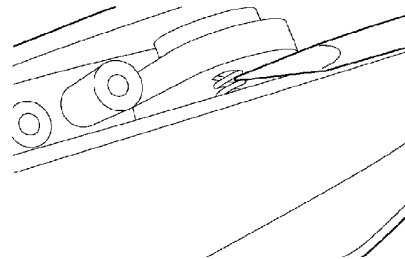
4. Loosen six housing screws.

5. Loosen two screws on top and take out the retaining plate.

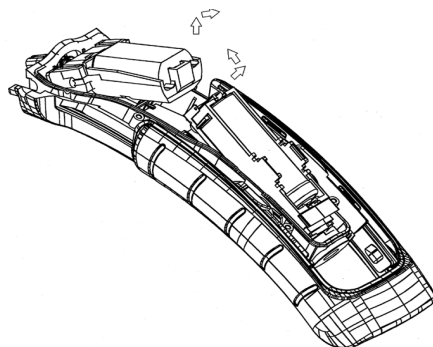


6. To remove the stretch handle, insert the slotted-head driver to push the spring the outward and upward.

7. Remove the handle lock button and spring and take out the stretch handle.



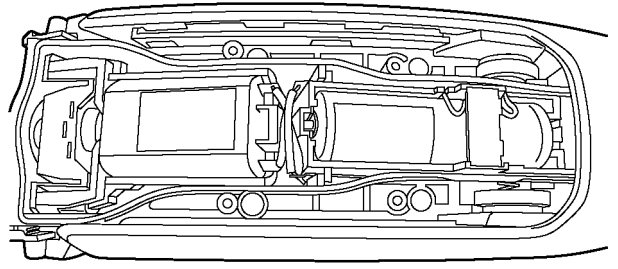
8. Take out the motor and the chassis with the battery from the housing.



## 4.2. Assembly Instructions

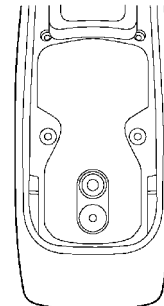
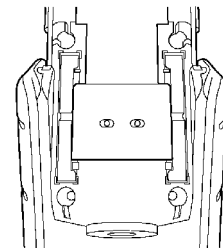
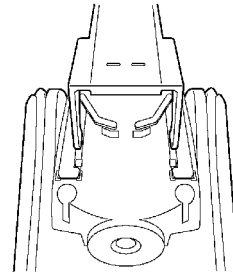
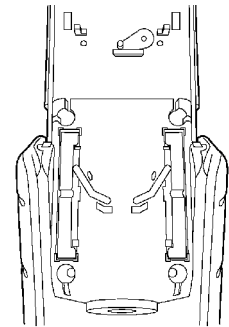
### 1. Chassis assembly

Make sure to attach the lead wires properly.



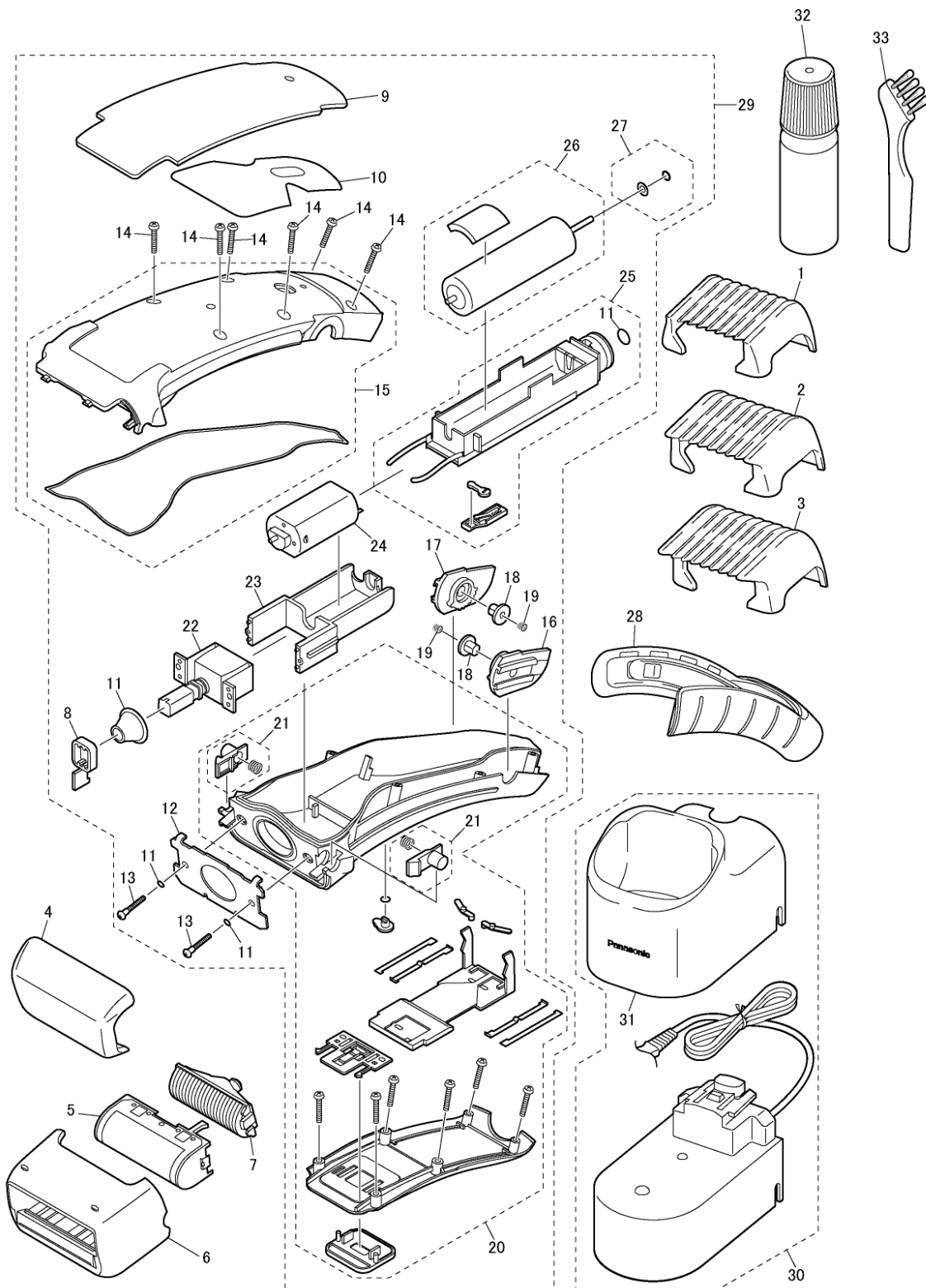
### 2. Switch handle

Make sure to attach the terminals properly.



# 5 Exploded View and Replacement Parts List

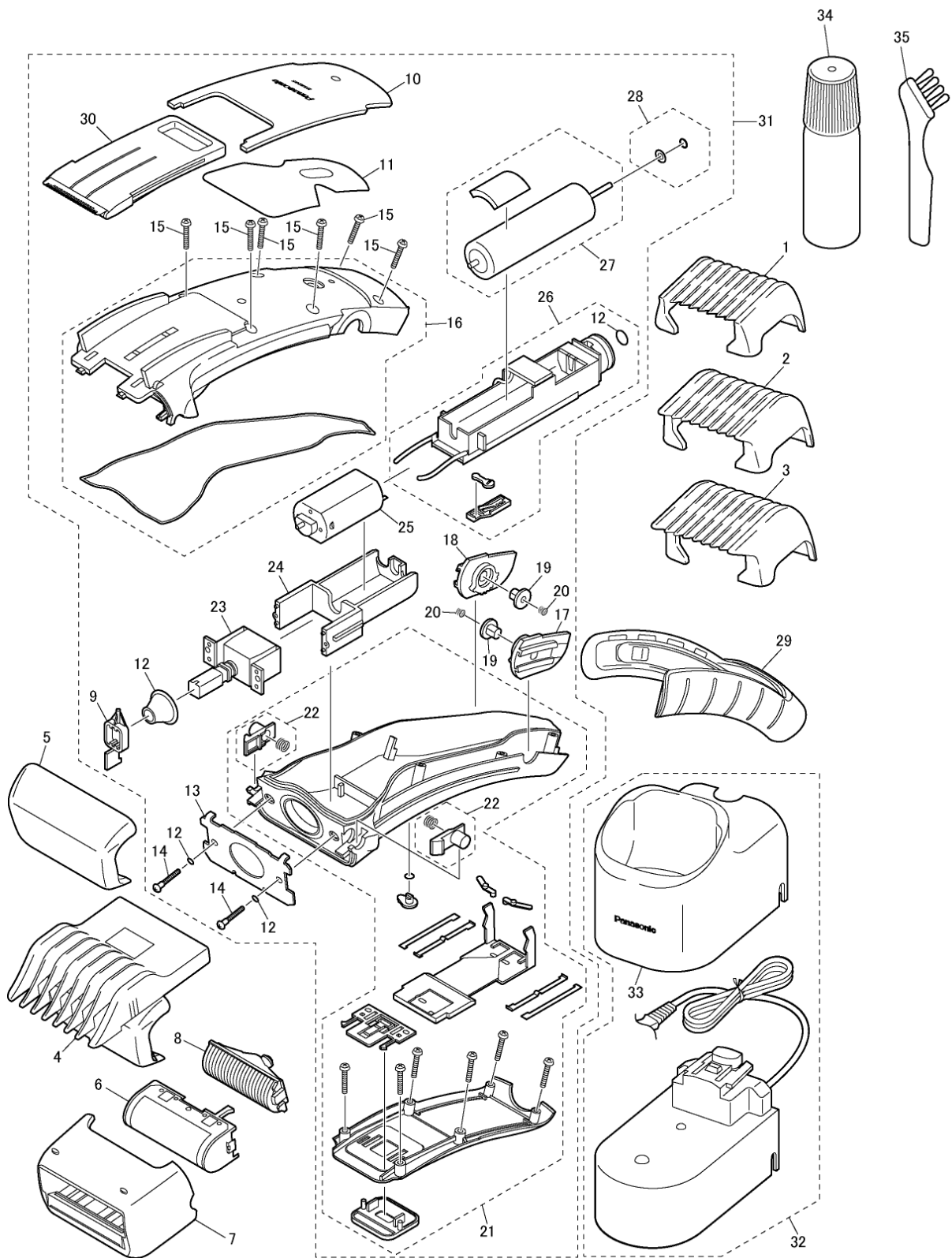
Model No. : ES2263 Exploded View for ES2263



## Model No. : ES2263 Parts List

Safety	Ref. No.	Part No.	Part Name & Description	Q'ty	Remarks
ES2263					
	1	WES2263H7398	COMB ATTACHMENT A	1	(3mm), [BG]
	2	WES2263H7408	COMB ATTACHMENT B	1	(6mm), [BG]
	3	WES2263H7418	COMB ATTACHMENT C	1	(9mm), [BG]
	4	WES2262X7158	PROTECTIVE CAP	1	[BG]
	5	WES9775E	OUTER FOIL	1	
	6	WES2262H0048	FOIL FRAME	1	[BG]
	7	WES9752E	INNER BLADE	1	
	8	WES2262L1258	DRIVING HEAD	1	[BG]
	9	WES2263K3118	PANEL B	1	[BG]
	10	WES2262L0308	DOUBLE-FACED TAPE	1	(10PCS/PK), [BG]
	11	WES2265L0328	WATERPROOF RUBBER SET	1	[BG]
	12	WES2262L0208	RETAINING PLATE	1	[BG]
	13	WES7025L9707	SCREW	2	(K2-15), [BG]
	14	WES2265L6058	TAPPING SCREW	12	(K-8), [BG]
	15	WES2262H3068	HOUSING B	1	[BG]
	16	WES2265L3338	ANGLE ADJUSTING BASE A	1	[BG]
	17	WES2265L3348	ANGLE ADJUSTING BASE B	1	[BG]
	18	WES2265L0368	HANDLE LOCK BUTTON	2	(2PCS/PK), [BG]
	19	WES2265L0168	SPRING	2	(2PCS/PK), [BG]
	20	WES2263H3058	HOUSING A	1	[BG]
	20	WES2263H3059	HOUSING A	1	(only for Hong Kong), [BG]
	21	WES2265H3608	FOIL FRAME RELEASE BUTTON	2	(2ST/PK), [BG]
	22	WES2265L1248	DRIVING HEAD	1	[BG]
	23	WES2265L0028	MOTOR CASE	1	[BG]
	24	WES2265L1008	MOTOR	1	[BG]
	25	WES2265L0778	CHASSIS	1	[BG]
	26	WES2265L2508	RECHARGEABLE BATTERY	1	(Ni-Mh TYPE), [BG]
	27	WES7025L0977	WASHER W/O-RING SET	1	[BG]
	28	WES2262D3928	STRETCH HANDLE	1	[BG]
	29	WES2263K3038	BODY BLOCK	1	[BG]
	29	WES2263K3039	BODY BLOCK	1	(only for Hong Kong), [BG]
	30	WES2265K7663	ADAPTOR	1	(C-2 PLUG), [BG]
	30	WES2265K7660	ADAPTOR	1	(BF3 PLUG), [BG]
	31	WES2265K7188	CHARGING STAND CASE	1	[BG]
	32	WER203X7918	OIL	1	[BG]
	33	WES76806766	CLEANING BRUSH	1	[BG]
	-	WES2263K8008	INDIVIDUAL BOX	1	[BG]
	-	WES2263K8009	INDIVIDUAL BOX	1	(only for Hong Kong), [BG]
	-	WES2265A8108	OPERATING INSTRUCTIONS	1	[BG]
	-	WES2263K8108	OPERATING INSTRUCTIONS	1	(only for Hong Kong), [BG]

**Model No. : ES2265 Exploded View for ES2265**





## Model No. : ES2265 Parts List

Safety	Ref. No.	Part No.	Part Name & Description	Q'ty	Remarks
ES2265					
	1	WES2263H7398	COMB ATTACHMENT A	1	(3mm), [BG]
	2	WES2263H7408	COMB ATTACHMENT B	1	(6mm), [BG]
	3	WES2263H7418	COMB ATTACHMENT C	1	(9mm), [BG]
	4	WES2265H7428	COMB ATTACHMENT FOR BEARDS	1	[BG]
	5	WES2265H7158	PROTECTIVE CAP	1	[BG]
	6	WES9775E	OUTER FOIL	1	
	7	WES2262H0048	FOIL FRAME	1	[BG]
	8	WES9752E	INNER BLADE	1	
	9	WES2265L1258	DRIVING HEAD	1	[BG]
	10	WES2265A3118	PANEL B	1	[BG]
	11	WES2265L0308	DOUBLE-FACED TAPE	1	(10PCS/PK), [BG]
	12	WES2265L0328	WATERPROOF RUBBER SET	1	[BG]
	13	WES2265L0208	RETAINING PLATE	1	[BG]
	14	WES7025L9707	SCREW	2	(K2-15), [BG]
	15	WES2265L6058	TAPPING SCREW	12	(K-8), [BG]
	16	WES2265H3068	HOUSING B	1	[BG]
	17	WES2265L3338	ANGLE ADJUSTING BASE A	1	[BG]
	18	WES2265L3348	ANGLE ADJUSTING BASE B	1	[BG]
	19	WES2265L0368	HANDLE LOCK BUTTON	2	(2PCS/PK), [BG]
	20	WES2265L0168	SPRING	2	(2PCS/PK), [BG]
	21	WES2265H3058	HOUSING A	1	[BG]
	22	WES2265H3608	FOIL FRAME RELEASE BUTTON	2	(2ST/PK), [BG]
	23	WES2265L1248	DRIVING HEAD	1	[BG]
	24	WES2265L0028	MOTOR CASE	1	[BG]
	25	WES2265L1008	MOTOR	1	[BG]
	26	WES2265L0778	CHASSIS	1	[BG]
	27	WES2265L2508	RECHARGEABLE BATTERY	1	(Ni-Mh TYPE), [BG]
	28	WES7025L0977	WASHER W/O-RING SET	1	[BG]
	29	WES2265V3928	STRETCH HANDLE	1	[BG]
	30	WES2265A1508	TRIMMER	1	[BG]
	31	WES2265A3038	BODY BLOCK	1	[BG]
	32	WES2265K7663	ADAPTOR	1	(C-2 PLUG), [BG]
	33	WES2265K7188	CHARGING STAND CASE	1	[BG]
	34	WER203X7918	OIL	1	[BG]
	35	WES76806766	CLEANING BRUSH	1	[BG]
	-	WES2265A8008	INDIVIDUAL BOX	1	[BG]
	-	WES2265A8108	OPERATING INSTRUCTIONS	1	[BG]