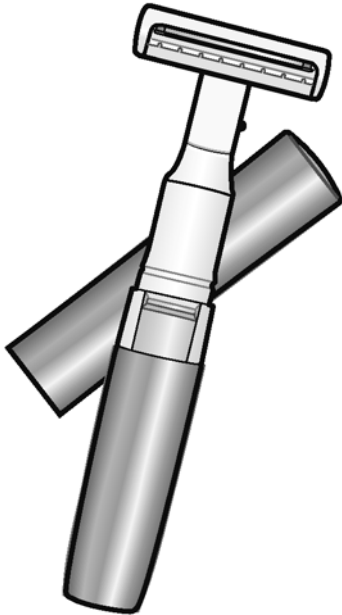


# Service Manual

Body Shaver

Model No. **ES-WR40**

Asia  
Middle East



## **⚠ WARNING**

This service information is designed for experienced repair technicians only and is not designed for use by the general public. It does not contain warnings or cautions to advise non-technical individuals of potential dangers in attempting to service a product. Products powered by electricity should be serviced or repaired only by experienced professional technicians. Any attempt to service or repair the product or products dealt with in this service information by anyone else could result in serious injury or death.

## **IMPORTANT SAFETY NOTICE**

There are special components used in this equipment which are important for safety. These parts are marked by **⚠** in the Schematic Diagrams, Circuit Board Diagrams, Exploded Views and Replacement Parts List. It is essential that these critical parts should be replaced with manufacturer's specified parts to prevent shock, fire or other hazards. Do not modify the original design without permission of manufacturer.

## **TABLE OF CONTENTS**

	PAGE	PAGE
1 Warning-----	2	
2 Specifications -----	2	
3 Exploded View and Replacement Parts List -----	3	

# 1 Warning

**Caution:**

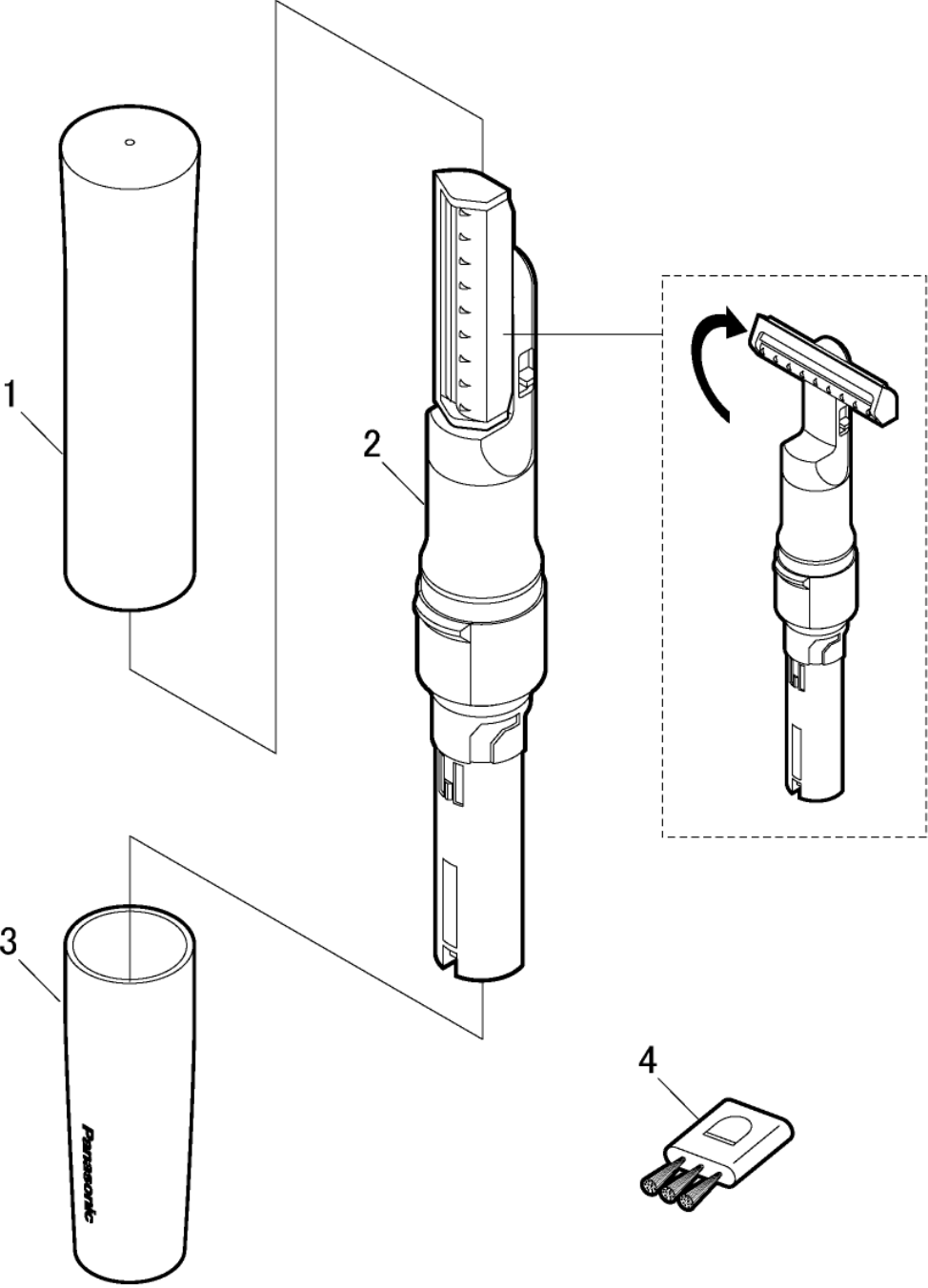
- Pb free solder has a higher melting point than standard solder; Typically the melting point is 50 - 70°F (30 - 40°C) higher. Please use a soldering iron with temperature control and adjust it to 750 ± 20°F (400 ± 10°C). In case of using high temperature soldering iron, please be careful not to heat too long.
- Pb free solder will tend to splash when heated too high (about 1100°F / 600°C).

# 2 Specifications

Power source	DC 1.5V (one "LR03" Alkaline battery)
Weight	37g (without battery)
Supplied accessory	Cleaning brush

# 3 Exploded View and Replacement Parts List

Model No. : ES-WR40 Exploded View



---

**Model No. : ES-WR40 Parts List**

---

Safety	Ref. No.	Part No.	Part Name & Description	Q'ty	Remarks
	1	WESWR40P3187	PROTECTION CAP	1	
	2	WESWR40W4008	BODY BLOCK	1	
	3	WESWR40P3128	BATTERY COVER	1	
	4	WES3850K7217	CLEANING BRUSH	1	
	-	WESWR40P8000	INDIVIDUAL BOX	1	
	-	WESWR40P8100	OPERATING INSTRUCTIONS	1	