

# Service Manual

Rechargeable Shaver

Model No. **ES-ST37**  
**ES-ST27**

*Simplified*

Taiwan



Please file and use this supplement manual together with the service manual for Model No.ES-ST25, Order No.SD1305A33CE.

## **⚠ WARNING**

This service information is designed for experienced repair technicians only and is not designed for use by the general public. It does not contain warnings or cautions to advise non-technical individuals of potential dangers in attempting to service a product. Products powered by electricity should be serviced or repaired only by experienced professional technicians. Any attempt to service or repair the product or products dealt with in this service information by anyone else could result in serious injury or death.

## **IMPORTANT SAFETY NOTICE**

There are special components used in this equipment which are important for safety. These parts are marked by **⚠** in the Schematic Diagrams, Circuit Board Diagrams, Exploded Views and Replacement Parts List. It is essential that these critical parts should be replaced with manufacturer's specified parts to prevent shock, fire or other hazards. Do not modify the original design without permission of manufacturer.

## TABLE OF CONTENTS

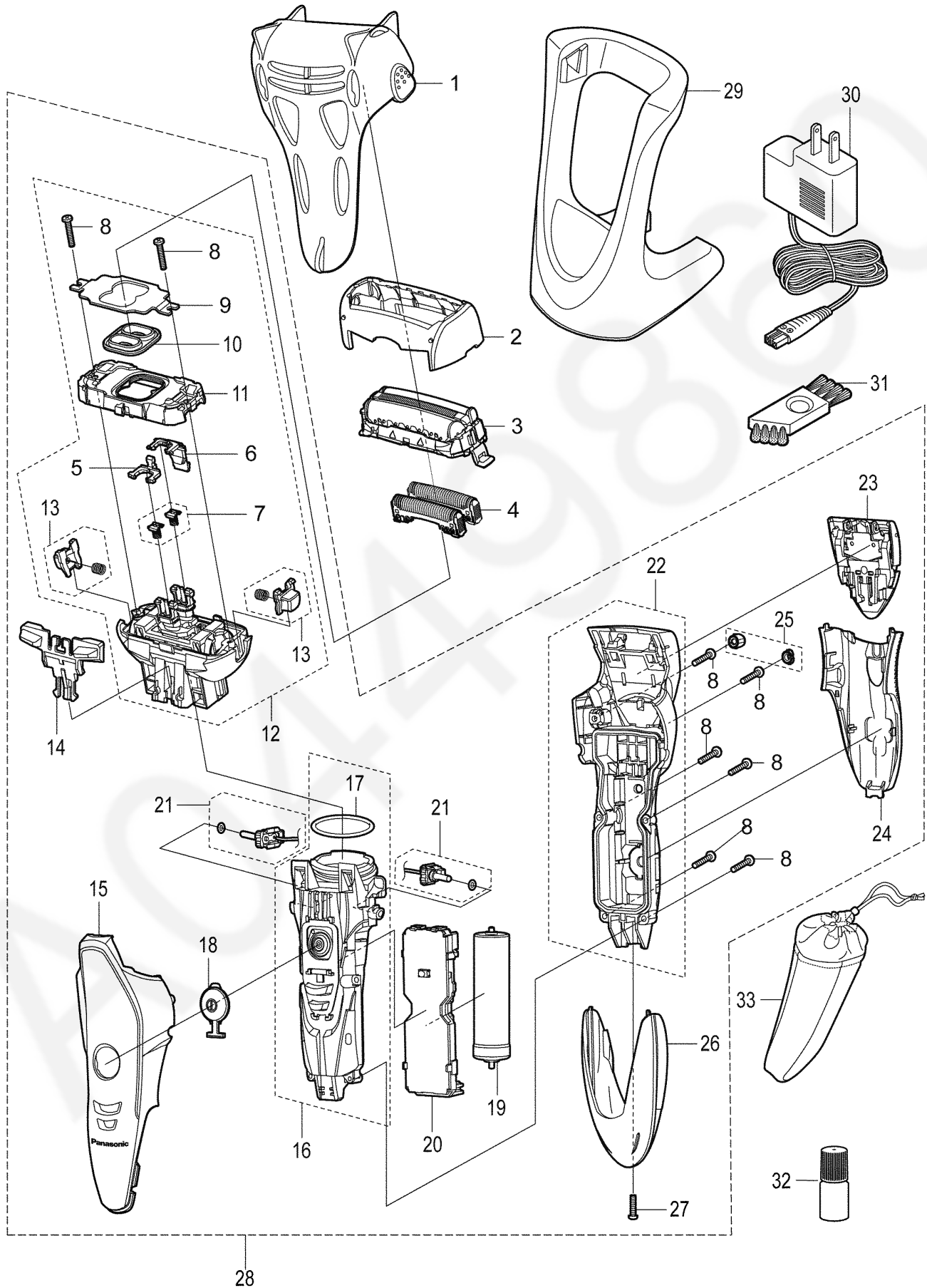
	PAGE	PAGE
1 EXPLODED VIEW & REPLACEMENT PARTS LIST ----	2	

# Panasonic

© Panasonic Corporation 2014  
Unauthorized copying and distribution is a violation of law.

# 1 EXPLODED VIEW & REPLACEMENT PARTS LIST

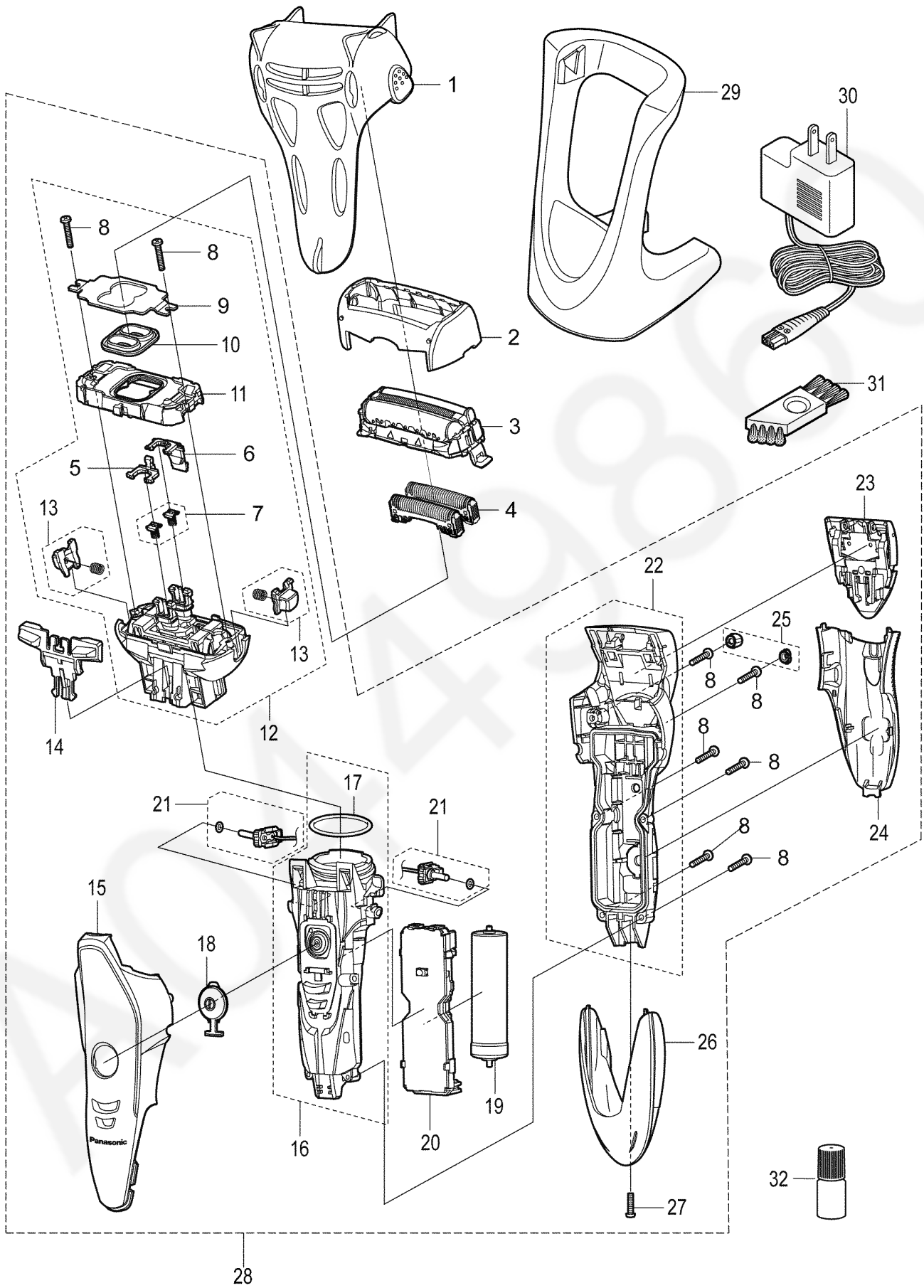
## 1.1. EXPLODED VIEW ES-ST37



## 1.2. REPLACEMENT PARTS LIST ES-ST37

Safety	Ref. No.	Part No.	Part Name & Description	Quantity	Remarks
	1	WESST23X7158	PROTECTIVE CAP	1	
	2	WESST37A0007	OUTER FOIL FRAME	1	
	3	WES9087E	OUTER FOIL	1	
	4	WES9068E	INNER BLADE	1ST	
	5	WES8176L1077	SLIT BLADE DRIVING BAR	1	
	6	WES8119L1087	TRIMMER DRIVING BAR	1	
	7	WESST23L0587	STOPPER	2	
	8	WES8176L6007	P TIGHT SCREW	6	M2-12
	9	WESST23L0207	RETAINING PLATE	1	
	10	WES8176L0327	WATERPROOF RUBBER	1	
	11	WESST23K0017	BLADE HOLDER	1	
	12	WESST23K1007	LINEAR MOTOR ASSEMBLY	1	
	13	WESST23K3267	FOIL RELEASE BUTTON	1	
	14	WESST37A3137	CLEANING SHUTTER	1	
	15	WESST25K3857	FRONT PANEL	1	
	16	WESST25K3057	HOUSING A	1	
	17	WESST23L0977	O-RING	1	
	18	WESST23S3267	SWITCH BUTTON	1	
	19	WESLV95L2509	RECHARGEABLE BATTERY	1	Li-ion TYPE
	20	WESST37L2107	MODULE CHASSIS ASSEMBLY	1	
	21	WESST23L2157	SIDE TERMINAL	2	
	22	WESST23K3068	HOUSING B	1	
	23	WESST27K1507	TRIMMER ASSEMBLY	1	
	24	WESST37K3368	REAR PANEL	1	
	25	WESST23K0327	SCREW CAP	2	
	26	WESST37A3127	BOTTOM COVER	1	
	27	WES8176L6057	TAPPING SCREW	1	K2-8
	28	WESST37A3038	BODY BLOCK	1	
	29	WESST37K7118	CHARGING STAND	1	
	30	WESLV90K7P62	AC ADAPTOR	1	A-2 PLUG
	31	WES8093H7057	CLEANING BRUSH	1	
	32	WES8196X7918	OIL	1	
	33	WESST37K7077	SOFT CASE	1	
		WESST37A8008	INDIVIDUAL BOX	1	
		WESST37A8108	OPERATING INSTRUCTIONS	1	

### 1.3. EXPLODED VIEW ES-ST27



## 1.4. REPLACEMENT PARTS LIST ES-ST27

Safety	Ref. No.	Part No.	Part Name & Description	Quantity	Remarks
	1	WESST23X7158	PROTECTIVE CAP	1	
	2	WESST23W0007	OUTER FOIL FRAME	1	for WHITE MODEL
	2	WESST23R0007	OUTER FOIL FRAME	1	for RED MODEL
	3	WES9087E	OUTER FOIL	1	
	4	WES9068E	INNER BLADE	1ST	
	5	WES8176L1077	SLIT BLADE DRIVING BAR	1	
	6	WES8119L1087	TRIMMER DRIVING BAR	1	
	7	WESST23L0587	STOPPER	2	
	8	WES8176L6007	P TIGHT SCREW	6	M2-12
	9	WESST23L0207	RETAINING PLATE	1	
	10	WES8176L0327	WATERPROOF RUBBER	1	
	11	WESST23K0017	BLADE HOLDER	1	
	12	WESST23K1007	LINEAR MOTOR ASSEMBLY	1	
	13	WESST23K3267	FOIL RELEASE BUTTON	1	
	14	WESST25W3137	CLEANING SHUTTER	1	for WHITE MODEL
	14	WESST25R3137	CLEANING SHUTTER	1	for RED MODEL
	15	WESST27K3857	FRONT PANEL	1	
	16	WESST25K3057	HOUSING A	1	
	17	WESST23L0977	O-RING	1	
	18	WESST23S3267	SWITCH BUTTON	1	
	19	WESLV95L2509	RECHARGEABLE BATTERY	1	Li-ion TYPE
	20	WESST25L2107	MODULE CHASSIS ASSEMBLY	1	
	21	WESST23L2157	SIDE TERMINAL	2	
	22	WESST23K3068	HOUSING B	1	
	23	WESST27K1507	TRIMMER ASSEMBLY	1	
	24	WESST27K3368	REAR PANEL	1	
	25	WESST23K0327	SCREW CAP	2	
	26	WESST23W3127	BOTTOM COVER	1	for WHITE MODEL
	26	WESST23R3127	BOTTOM COVER	1	for RED MODEL
	27	WES8176L6057	TAPPING SCREW	1	K2-8
	28	WESST27W3038	BODY BLOCK	1	
	28	WESST27R3038	BODY BLOCK	1	
	29	WESST37K7118	CHARGING STAND	1	
	30	WESLV90K7P62	AC ADAPTOR	1	A-2 PLUG
	31	WES8093H7057	CLEANING BRUSH	1	
	32	WES8196X7918	OIL	1	
		WESST27W8008	INDIVIDUAL BOX	1	for WHITE MODEL
		WESST27A8008	INDIVIDUAL BOX	1	for RED MODEL
		WESST37A8108	OPERATING INSTRUCTIONS	1	