

ORDER No. SD1702P13AE

Service Manual

AC/Rechargeable Shaver

Model No. **ES-SL33**

USA, CANADA, EUROPE

Simplified

Please file and use this manual together with the service manual for Model No. ES-SL41, Order No. SD1203A33CE, or ES-SL10, Order No. SD1409A59AE.

⚠ WARNING

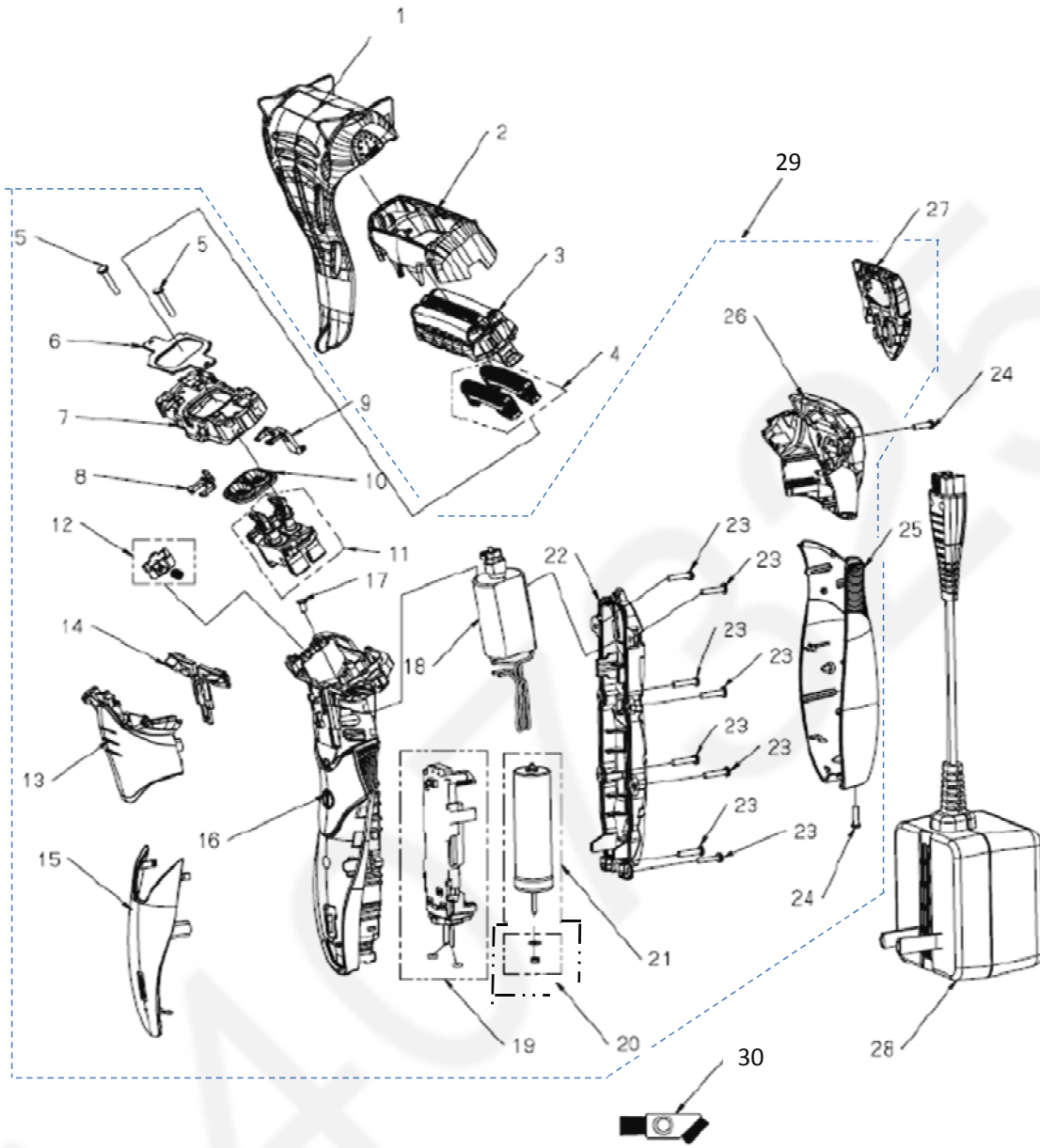
This service information is designed for experienced repair technicians only and is not designed for use by the general public. It does not contain warnings or cautions to advise non-technical individuals of potential dangers in attempting to service a product. Products powered by electricity should be serviced or repaired only by experienced professional technicians. Any attempt to service or repair the product or products dealt with in this service information by anyone else could result in serious injury or death.

There are special components used in this equipment which are important for safety. These parts are marked by ! in the Schematic Diagrams, Circuit Board Diagrams, Exploded views and Replacement Parts List. It is essential that these critical parts should be replaced with manufacture's specified parts to prevent shock, fire or other hazards. Do not modify the original design without permission of manufacturer.

Panasonic[®]

©Panasonic Corporation 2017 Unauthorized copying and distribution is a violation of law.

EXPLODED VIEWS



Ref.No.	Part No.	Part Name & Descriptions	Quantity	Remarks
1	WESSL33X7158	PROTECTIVE CAP	1	
2	WESSL33K0048	OUTER FOIL FRAME	1	BLACK
2	WESSL33S0048	OUTER FOIL FRAME	1	SILVER
3	WES9087Y	OUTER FOIL	1	FOR EUROPE
3	WES9087PC	OUTER FOIL	1	FOR USA, CANADA
4	WES9068Y	INNER BLADE	2	FOR EUROPE
4	WES9068PC	INNER BLADE	2	FOR USA, CANADA
5	WES8176L6057	TAPPING SCREW	2	
6	WESSL41L0208	RETAINING PLATE	1	
7	WESSL41K0008	BLADE HOLDER	1	
8	WES8176L1077	SLIT BLADE DRIVING BAR	1	
9	WESSL41L1088	TRIMMER DRIVING BAR	1	
10	WES8196L0328	WATERPROOF RUBBER	1	
11	WESSL41L1248	DRIVING HEADS	1	
12	WESSL41K3268	FOIL RELEASE BUTTON	1	
13	WESSL33K3088	CLEANING SHUTTER COVER	1	BLACK
13	WESSL33S3088	CLEANING SHUTTER COVER	1	SILVER
14	WESSL33S3048	CLEANING SHUTTER	1	
15	WESSL33K3778	FRONT COVER	1	BLACK
15	WESSL33S3778	FRONT COVER	1	SILVER
16	WESSL33S3058	CASE A	1	
17	WESSL41L6058	SCREW	1	
18	WESSL33L1008	MOTOR	1	
19	WESSL33L2128	MODULE	1	
20	WES7025L0976	WASHER & O-RING SET	1	
21	WESSL33L2508	RECHARGEABLE BATTERY	1	LI-ION TYPE
22	WESSL33K3068	CASE B	1	
23	WESRL32L6007	TAPPING SCREW	8	
24	WES7046L6008	P TIGHT SCREW	2	
25	WESSL33S3128	BOTTOM COVER	1	FOR EUROPE
25	WESSL33S3129	BOTTOM COVER	1	FOR USA, CANADA
26	WESSL33K1568	TRIMMER HOLDER	1	BLACK
26	WESSL33S1568	TRIMMER HOLDER	1	SILVER
27	WESSL33K1508	TRIMMER	1	BLACK
28	WESSL33K7664	AC ADAPTOR	1	FOR EUROPE
28	WESSL33K7658	AC ADAPTOR	1	FOR USA, CANADA
29	WESSL33S3039	BODY BLOCK	1	FOR USA, CANADA
29	WESSL33K3038	BODY BLOCK	1	BLACK, EUROPE
29	WESSL33S3038	BODY BLOCK	1	SILVER, EUROPE
30	WES8093H7057	CLEANING BRUSH	1	
	WESSL33SK8008	INDIVIDUAL BOX	1	BLACK, EUROPE
	WESSL33SS8008	INDIVIDUAL BOX	1	SILVER, EUROPE
	WESSL33SS8009	INDIVIDUAL BOX	1	FOR USA
	WESSL33SS8001	INDIVIDUAL BOX	1	FOR CANADA
	WESSL33SS8108	OPERATING INSTRUCTIONS	1	FOR EUROPE
	WESSL33SS8109	OPERATING INSTRUCTIONS	1	FOR USA
	WESSL33SS8101	OPERATING INSTRUCTIONS	1	FOR CANADA