

Service Manual

Rechargeable Shaver

Model No. **ES-RT37**

Simplified



Asia
Middle East

Please file and use this manual together with the service manual for Model No. ES-RT60, ES-RT40 and ES-RT30, Order No. SD0909H62CE.

WARNING

This service information is designed for experienced repair technicians only and is not designed for use by the general public. It does not contain warnings or cautions to advise non-technical individuals of potential dangers in attempting to service a product. Products powered by electricity should be serviced or repaired only by experienced professional technicians. Any attempt to service or repair the product or products dealt with in this service information by anyone else could result in serious injury or death.

IMPORTANT SAFETY NOTICE


There are special components used in this equipment which are important for safety. These parts are marked by  in the Schematic Diagrams, Circuit Board Diagrams, Exploded Views and Replacement Parts List. It is essential that these critical parts should be replaced with manufacturer's specified parts to prevent shock, fire or other hazards. Do not modify the original design without permission of manufacturer.

TABLE OF CONTENTS

	PAGE	PAGE
1 Warning-----	2	
2 Specifications -----	2	
3 Exploded View and Replacement Parts List -----	3	

Panasonic

© Panasonic Corporation 2014.
All rights reserved. Unauthorized copying and distribution is a violation of law.

1 Warning

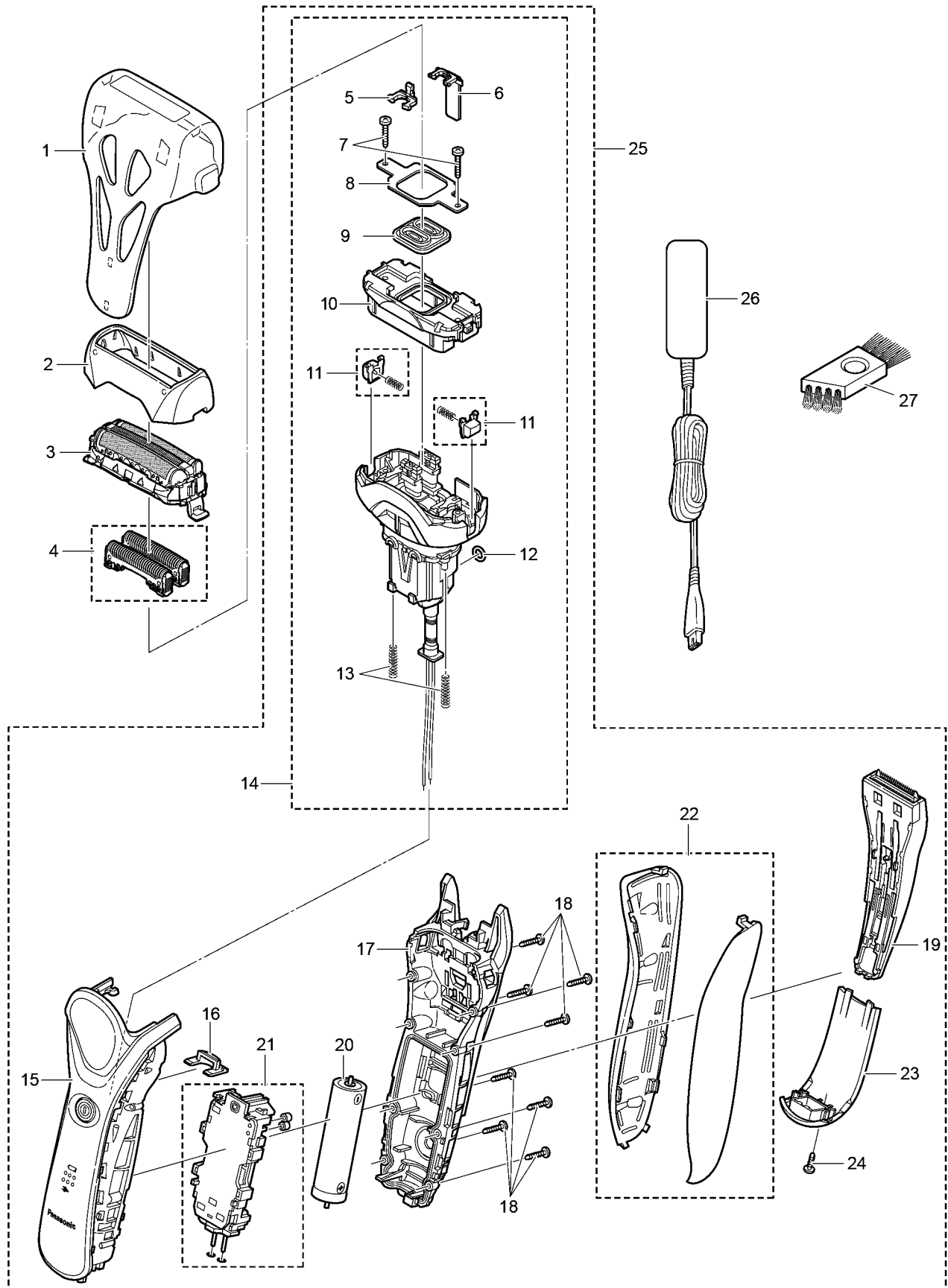
Caution:

- Pb free solder has a higher melting point than standard solder; Typically the melting point is 50 - 70 °F (30 - 40 °C) higher. Please use a soldering iron with temperature control and adjust it to 750 ± 20 °F (400 ± 10 °C). In case of using high temperature soldering iron, please be careful not to heat too long.
- Pb free solder will tend to splash when heated too high (about 1100 °F / 600 °C).

2 Specifications

Power source	AC 100-240V, 50-60Hz
Motor voltage	3.6V DC
Charging time	Approx. 1 hour
Supplied accessories	Comb attachment (ES-RT47 only)
	Cleaning brush
	Oil (ES-RT47 only)

3.3. Exploded View for ES-RT37



3.4. Replacement Parts List for ES-RT37

Safety	Ref. No.	Part No.	Part Name & Description	Quantity	Remarks
	1	WESRT87X7158	PROTECTIVE CAP	1	
	2	WESRT36S0047	OUTER FOIL FRAME	1	
	3	WES9087E	OUTER FOIL	1	
	4	WES9068E	INNER BLADE	1ST	
	5	WES8176L1077	SLIT BLADE DRIVING BAR	1	
	6	WESRT33L1088	TRIMMER DRIVING BAR	1	
	7	WES8176L6006	TAPPING SCREW	2	M2-12
	8	WESSL41L0208	RETAINING PLATE	1	
	9	WESRL32L0327	WATERPROOF RUBBER	1	
	10	WESRT46H0007	BLADE HOLDER	1	
	11	WESRL32K3267	FOIL RELEASE BUTTON	1ST	
	12	WES7046L0966	O-RING	1	
	13	WES7046L0226	FLOAT SPRING	2	(2PCS/PK)
	14	WESRT36A1008	MOTOR ASSEMBLY	1	
	15	WESRT37S3058	HOUSING A	1	
	16	WESRT46L0237	TUBE HOLDER	1	
	17	WESRT36S3068	HOUSING B	1	
	18	WESRL32L6007	TAPPING SCREW	8	K2-10
	19	WESRT36A1507	TRIMMER	1	
	20	WESRT36L2508	RECHARGEABLE BATTERY	1	LI-ION TYPE
	21	WESRT47L2128	MODULE	1	
	22	WESRT36A3367	SIDE PANEL	1	
	23	WESRT37A3840	BOTTOM COVER	1	
	24	WESRL32L6057	TAPPING SCREW	1	K2-6
	25	WESRT37S3030	BODY BLOCK	1	
	26	WESGA20K7P75	CHARGING ADAPTOR	1	BF-3 PLUG
	27	WES8093H7056	CLEANING BRUSH	1	
	-	WESRT37S8000	INDIVIDUAL BOX	1	
	-	WESRT47S8109	OPERATING INSTRUCTIONS	1	