

# Service Manual

Rechargeable Shaver

Model No. **ES-RT51**  
**ES-RT31**

North America



Please file and use this manual together with the service manual for Model No. ES7109, ES7102 and ES7101, Order No. SD0709E54CE.

### **WARNING**

This service information is designed for experienced repair technicians only and is not designed for use by the general public. It does not contain warnings or cautions to advise non-technical individuals of potential dangers in attempting to service a product. Products powered by electricity should be serviced or repaired only by experienced professional technicians. Any attempt to service or repair the product or products dealt with in this service information by anyone else could result in serious injury or death.

### **IMPORTANT SAFETY NOTICE**

There are special components used in this equipment which are important for safety. These parts are marked by in the Schematic Diagrams, Circuit Board Diagrams, Exploded Views and Replacement Parts List. It is essential that these critical parts should be replaced with manufacturer's specified parts to prevent shock, fire or other hazards. Do not modify the original design without permission of manufacturer.

## TABLE OF CONTENTS

	PAGE		PAGE
1 Warning	2		
2 Specifications	2		
3 Exploded View and Replacement Parts List	3		

# 1 Warning

## Caution:

- Pb free solder has a higher melting point than standard solder; Typically the melting point is 50 - 70°F (30 - 40°C) higher. Please use a soldering iron with temperature control and adjust it to 750 ± 20°F (400 ± 10°C). In case of using high temperature soldering iron, please be careful not to heat too long.
- Pb free solder will tend to splash when heated too high (about 1100°F / 600°C).

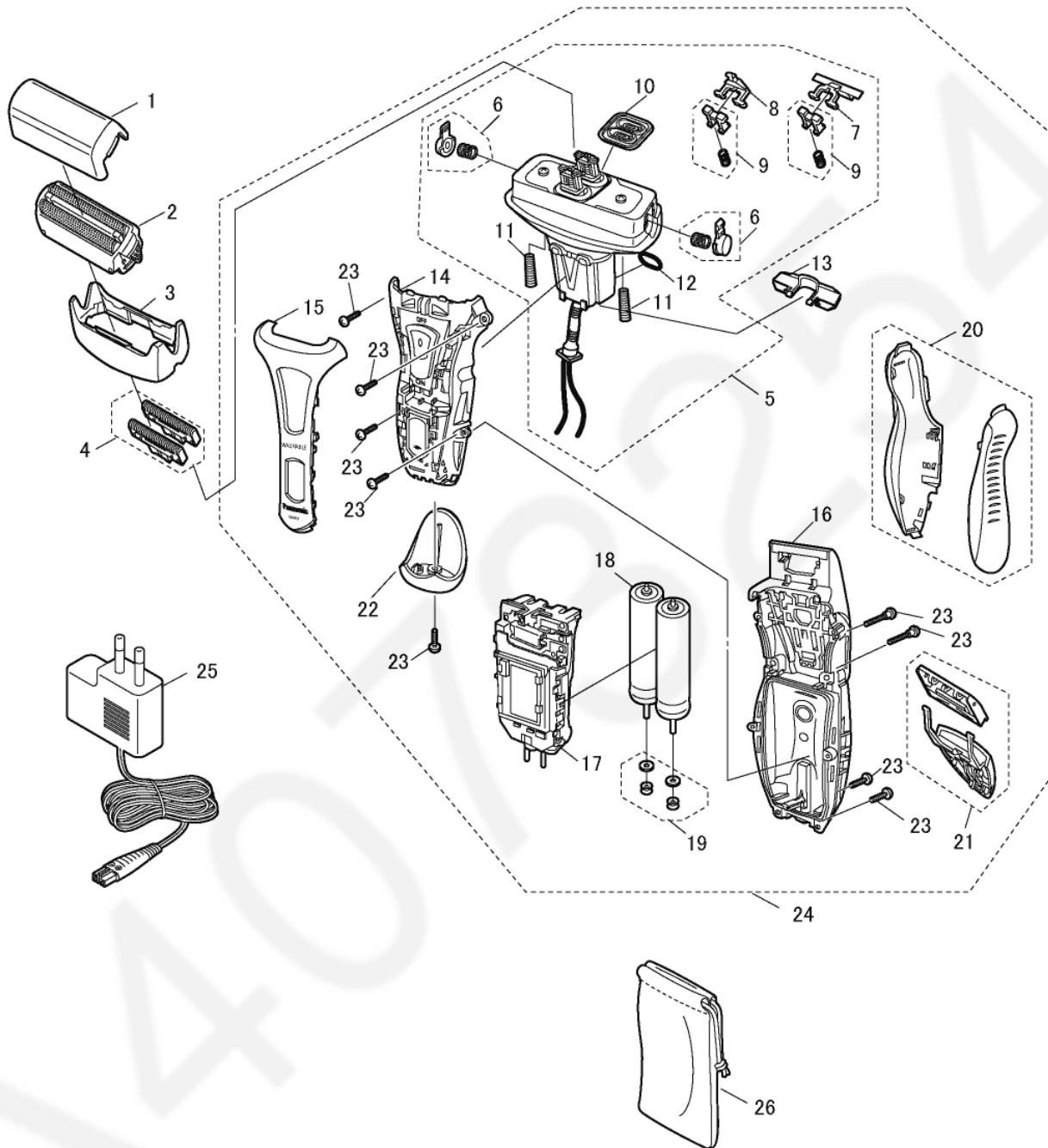
# 2 Specifications

Power source	AC 100-240V, 50-60Hz (Automatic voltage conversion)
Power consumption	Approx. 6W (when charging)
Motor voltage	2.4V DC
Charging time	1 Hour
Shaves per charge	14 times (3 minutes shave)
Measurement	(H)15.3 x (W)6.3 x (D)4.5 cm
Weight	200g

Supplied accessories	Soft case
	Cleaning brush

# 3 Exploded View and Replacement Parts List

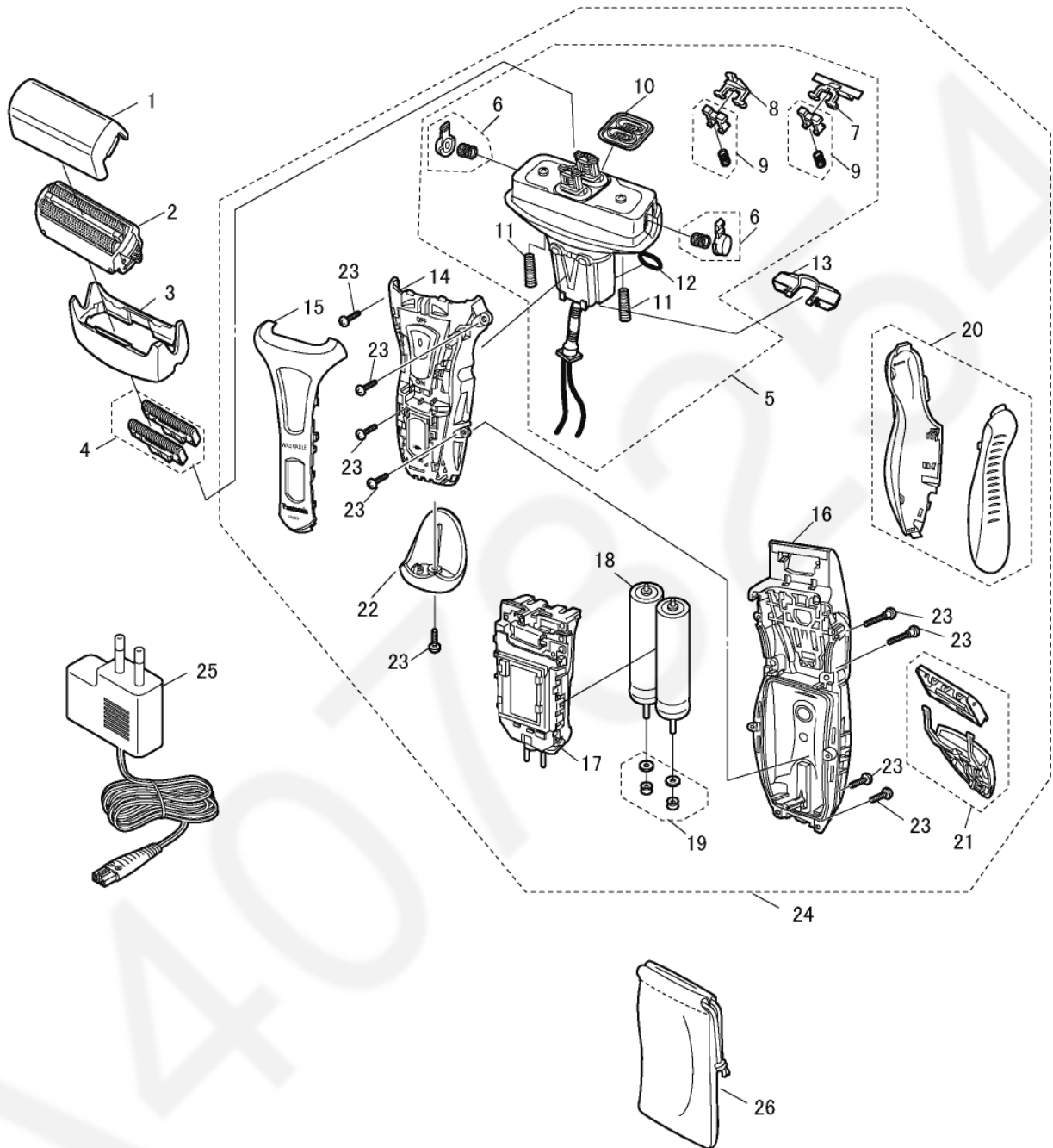
Model No. : ES-RT51 Exploded View for ES-RT51



## Model No. : ES-RT51 Parts List

Safety	Ref. No.	Part No.	Part Name & Description	Q'ty	Remarks
ES-RT51					
	1	WES8044X7158	PROTECTIVE CAP	1	[BG]
	2	WES9085PC	OUTER FOIL	1	(only for USA)
	2	WES9085C	OUTER FOIL	1	(only for CANADA)
	3	WESRT60S0047	OUTER FOIL FRAME	1	[BG]
	4	WES9064PC	INNER BLADE	1ST	(only for USA)
	4	WES9064C	INNER BLADE	1ST	(only for CANADA)
	5	WESRT60L1007	MOTOR ASSEMBLY	1	[BG]
	6	WES7047H3268	FOIL RELEASE BUTTON	2	(2PCS/PK), [BG]
	7	WES7046L1086	TRIMMER DRIVING BAR	1	[BG]
	8	WES7046L1076	SLIT BLADE DRIVING BAR	1	[BG]
	9	WES7046L0586	SPRING AND STOPPER	2	(2SETS/PK), [BG]
	10	WES8080L0326	WATERPROOF RUBBER	1	[BG]
	11	WES7046L0226	FLOAT SPRING	2	(2PCS/PK), [BG]
	12	WES7046L0966	O-RING	1	[BG]
	13	WES7046L0236	TUBE HOLDER	1	[BG]
	14	WESRT51S3058	HOUSING A	1	[BG]
	15	WESRT51S3778	FRONT PANEL	1	[BG]
	16	WESRT51S3068	HOUSING B	1	[BG]
	17	WESRT51L2128	MODULE	1	[BG]
	18	WES7038L2508	RECHARGEABLE BATTERY	2	(Ni-Mh Type), (2PCS/PK), [BG]
	19	WES7025L0976	WASHER & O-RING SET	2	[BG]
	20	WESRT51H3368	SIDE PANEL	1	[BG]
	21	WES8046H1506	TRIMMER	1	[BG]
	22	WESRT51H3848	BOTTOM COVER	1	[BG]
	23	WES7023L6058	TAPPING SCREW	9	(K2-8), [BG]
	24	WESRT51S3038	BODY BLOCK	1	[BG]
	25	WESRT51K7658	CHARGING ADAPTOR	1	(A-2 PLUG TYPE), [BG]
	26	WES7115K7007	SOFT CASE	1	[BG]
	-	WESRT51S8008	INDIVIDUAL BOX	1	(only for USA), [BG]
	-	WESRT51S8009	INDIVIDUAL BOX	1	(only for CANADA), [BG]
	-	WESRT51S8108	OPERATING INSTRUCTIONS	1	(only for USA), [BG]
	-	WESRT51S8109	OPERATING INSTRUCTIONS	1	(only for CANADA), [BG]

**Model No. : ES-RT31 Exploded View for ES-RT31**



**Model No. : ES-RT31 Parts List**

Safety	Ref. No.	Part No.	Part Name & Description	Q'ty	Remarks
ES-RT31					
	1	WES8044X7158	PROTECTIVE CAP	1	[BG]
	2	WES9085PC	OUTER FOIL	1	
	3	WESRT60S0047	OUTER FOIL FRAME	1	[BG]
	4	WES9064PC	INNER BLADE	1ST	
	5	WESRT60L1007	MOTOR ASSEMBLY	1	[BG]
	6	WES7047H3268	FOIL RELEASE BUTTON	2	(2PCS/PK), [BG]
	7	WES7046L1086	TRIMMER DRIVING BAR	1	[BG]
	8	WES7046L1076	SLIT BLADE DRIVING BAR	1	[BG]
	9	WES7046L0586	SPRING AND STOPPER	2	(2SETS/PK), [BG]
	10	WES8080L0326	WATERPROOF RUBBER	1	[BG]
	11	WES7046L0226	FLOAT SPRING	2	(2PCS/PK), [BG]
	12	WES7046L0966	O-RING	1	[BG]
	13	WES7046L0236	TUBE HOLDER	1	[BG]
	14	WESRT30S3058	HOUSING A	1	[BG]
	15	WESRT31S3778	FRONT PANEL	1	[BG]
	16	WESRT51S3068	HOUSING B	1	[BG]
	17	WESRT31L2128	MODULE	1	[BG]
	18	WES7038L2508	RECHARGEABLE BATTERY	2	(Ni-Mh Type), (2PCS/PK), [BG]
	19	WES7025L0976	WASHER & O-RING SET	2	[BG]
	20	WESRT30K3367	SIDE PANEL	1	[BG]
	21	WES8046H1506	TRIMMER	1	[BG]
	22	WESRT31H3848	BOTTOM COVER	1	[BG]
	23	WES7023L6058	TAPPING SCREW	9	(K2-8), [BG]
	24	WESRT31S3038	BODY BLOCK	1	[BG]
	25	WESRT51K7658	CHARGING ADAPTOR	1	(A-2 PLUG TYPE), [BG]
	26	WES7115K7007	SOFT CASE	1	[BG]
	-	WESRT31S8008	INDIVIDUAL BOX	1	[BG]
	-	WESRT31S8108	OPERATING INSTRUCTIONS	1	[BG]