

Service Manual

Rechargeable Shaver

Model No. **ES-LV81**
ES-LV61

Middle East

Simplified



Please file and use this manual together with the service manual for Model No. ES-LA92/ES-LA62, Order No.SD0906A65CE.

⚠ WARNING

This service information is designed for experienced repair technicians only and is not designed for use by the general public. It does not contain warnings or cautions to advise non-technical individuals of potential dangers in attempting to service a product. Products powered by electricity should be serviced or repaired only by experienced professional technicians. Any attempt to service or repair the product or products dealt with in this service information by anyone else could result in serious injury or death.

IMPORTANT SAFETY NOTICE

There are special components used in this equipment which are important for safety. These parts are marked by ⚠ in the Schematic Diagrams, Circuit Board Diagrams, Exploded Views and Replacement Parts List. It is essential that these critical parts should be replaced with manufacturer's specified parts to prevent shock, fire or other hazards. Do not modify the original design without permission of manufacturer.

TABLE OF CONTENTS

	PAGE	PAGE
1 Warning-----	2	
2 Specifications -----	2	
3 Troubleshooting Guide-----	3	
4 Schematic Diagram-----	4	
5 Exploded View and Replacement Parts List -----	5	

Panasonic

© Panasonic Electric Works Co., Ltd. 2011.
All rights reserved. Unauthorized copying and distribution is a violation of law.

1 Warning

Caution:

- Pb free solder has a higher melting point than standard solder; Typically the melting point is 50 - 70°F (30 - 40°C) higher. Please use a soldering iron with temperature control and adjust it to 750 ± 20°F (400 ± 10°C). In case of using high temperature soldering iron, please be careful not to heat too long.
- Pb free solder will tend to splash when heated too high (about 1100°F / 600°C).

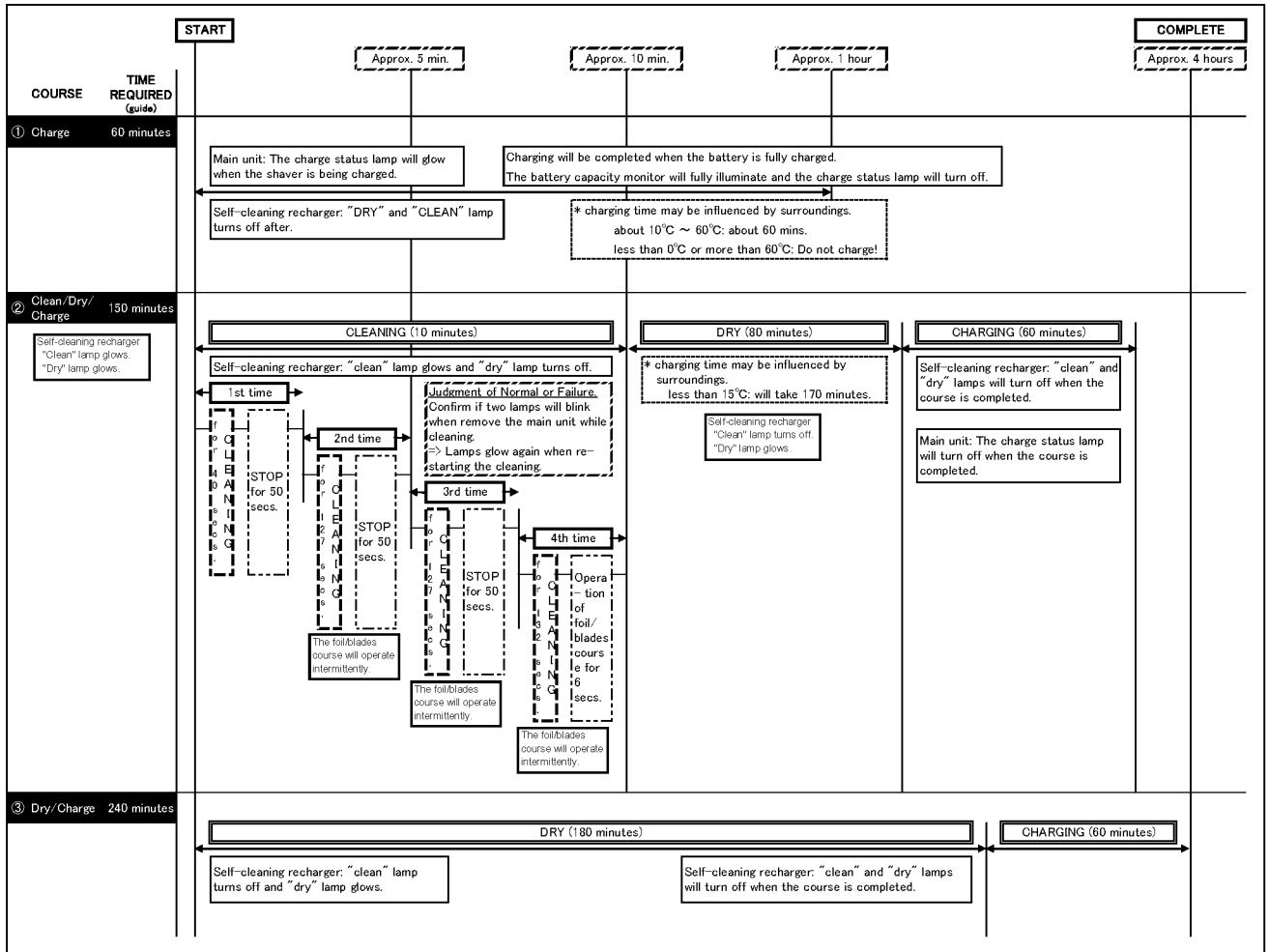
2 Specifications

Power source	AC 100-240V, 50-60Hz (Automatic voltage conversion)	
Power consumption	Approx. 7W (when charging)	
Charging time	1 Hour	
Shaves per charge	14 times (3 minutes shave)	
Weight	ES-LV81	Approx. 195g (without protective cap)
	ES-LV61	Approx. 185g (without protective cap)

Supplied accessories	Self-cleaning recharger (ES-LV81 Only)	
	Soft case	
	Oil	
	Cleaning brush	

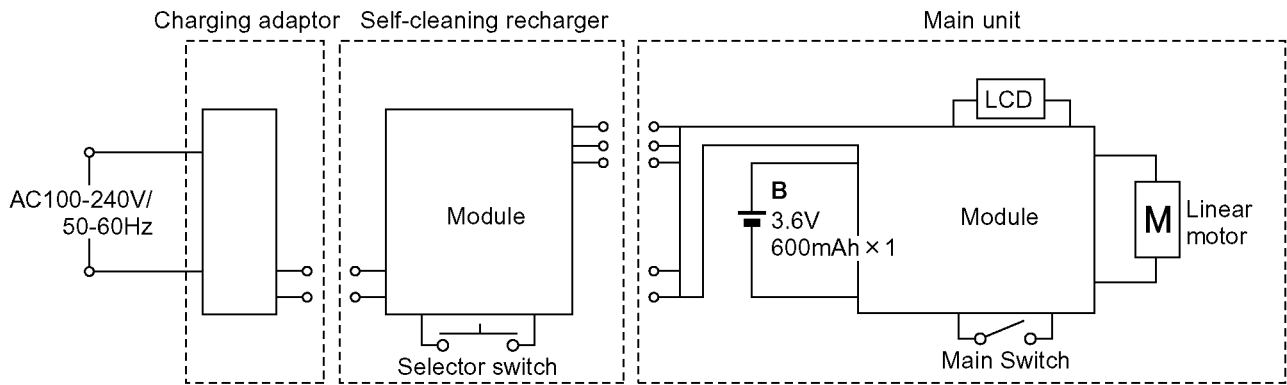
3 Troubleshooting Guide

(OPERATION OF SELF-CLEANING RECHARGER)

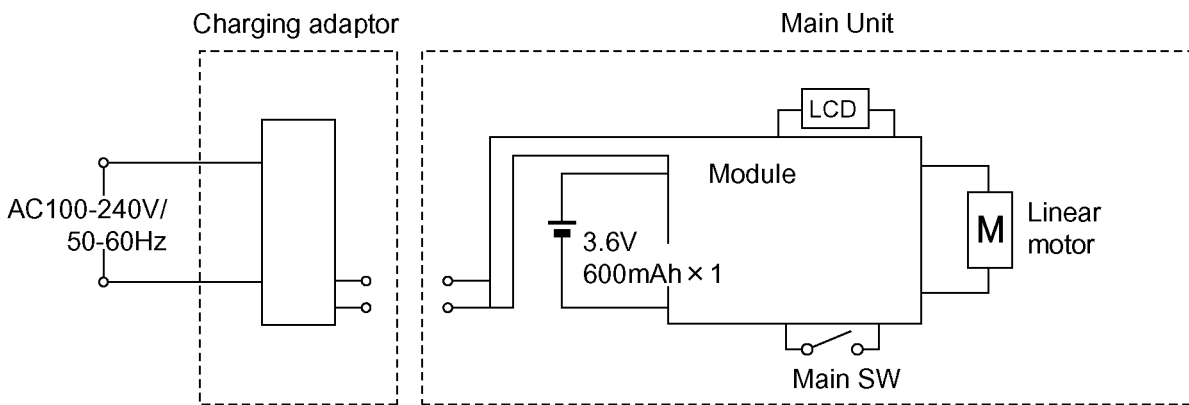


4 Schematic Diagram

4.1. ES-LV81

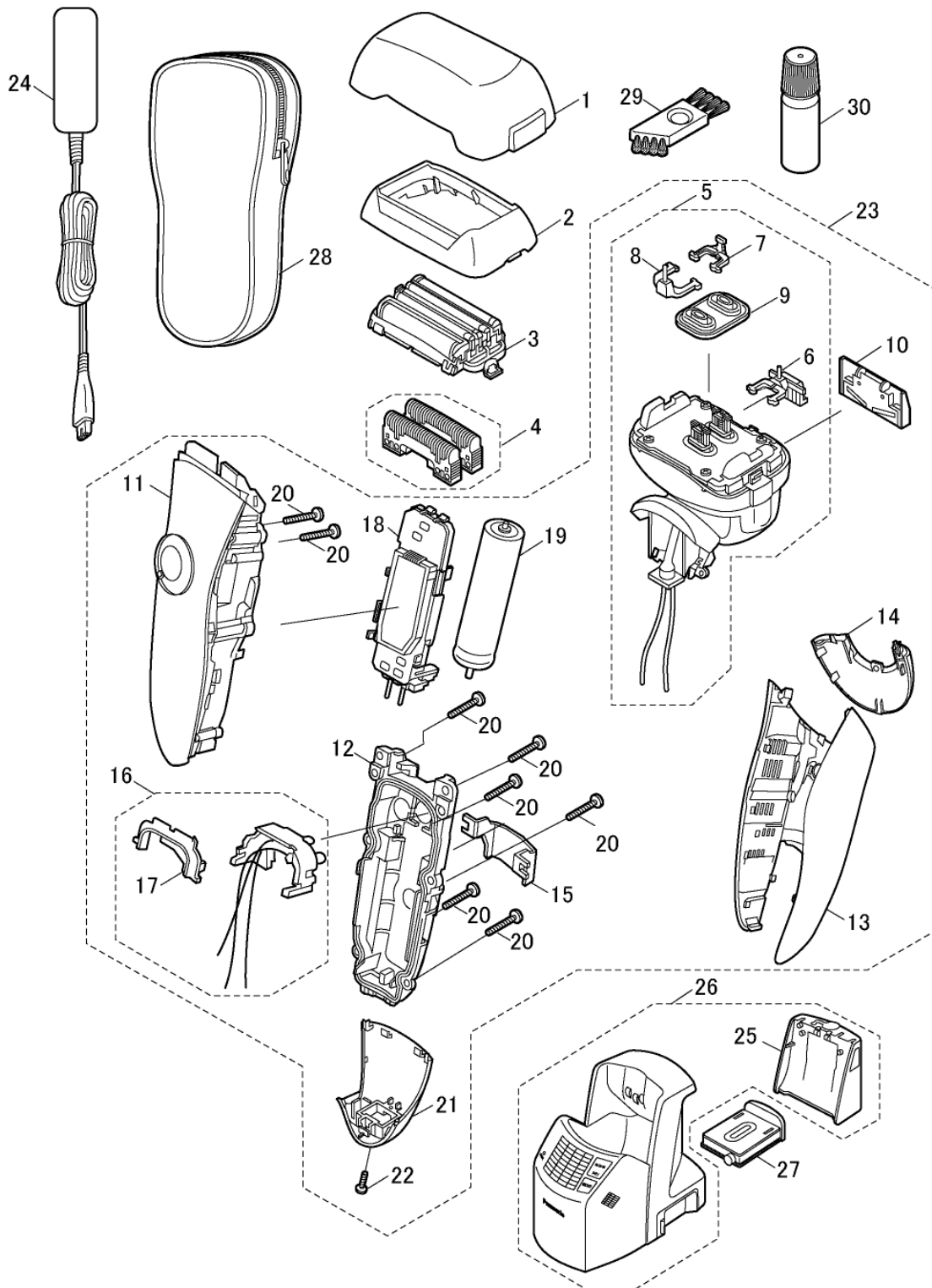


4.2. ES-LV61



5 Exploded View and Replacement Parts List

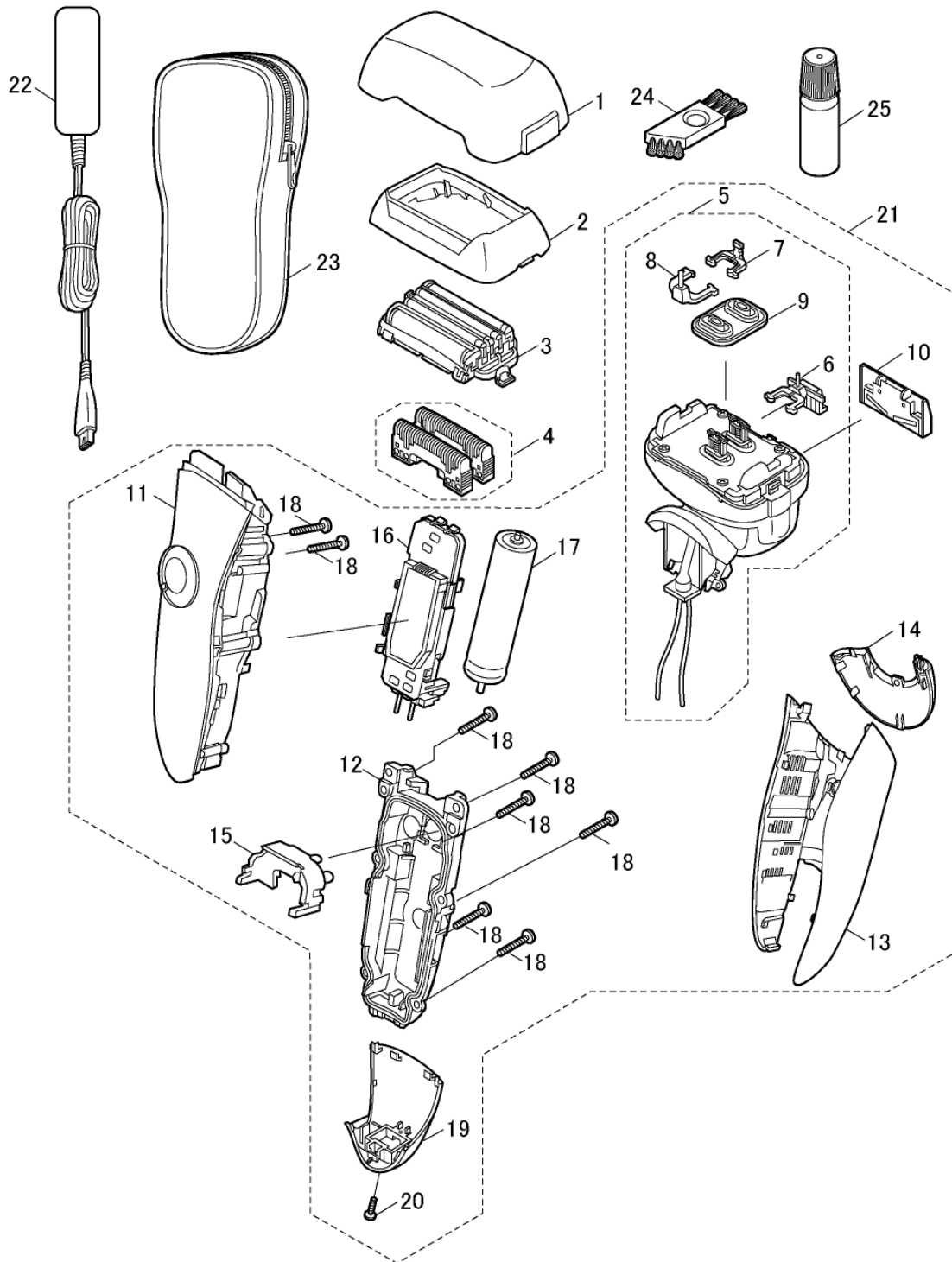
Model No. : ES-LV81 Exploded View for ES-LV81



Model No. : ES-LV81 Parts List

Safety	Ref. No.	Part No.	Part Name & Description	Q'ty	Remarks
ES-LV81					
	1	WESLV90X7158	PROTECTIVE CAP	1	
	2	WESLV81K0048	OUTER FOIL FRAME	1	
	3	WES9171Y	OUTER FOIL	1	
	4	WES9170Y	INNER BLADE	1ST	
	5	WESLV90L1007	LINEAR MOTOR ASSEMBLY	1	
	6	WESLV90L1087	TRIMMER DRIVING BAR	1	
	7	WESLV90L1077	SLIT BLADE DRIVING BAR	1	
	8	WESLV90L1177	FINISHING BLADE DRIVING BAR	1	
	9	WESLV90L0327	WATERPROOF RUBBER	1	
	10	WESLV90L1507	TRIMMER	1	
	11	WESLV81K3058	HOUSING A	1	
	12	WESLV90H3067	HOUSING B	1	
	13	WESLV90K3367	REAR PANEL	1	
	14	WESLV90K3857	TOP REAR PANEL	1	
	15	WESLA92L0487	CONNECTING PLATE	1	
	16	WES8258L0497	TERMINAL BASE	1	
	17	WES8238H0527	TERMINAL COVER	1	
	18	WESLV81L2128	MODULE	1	
	19	WES8163L2504	RECHARGEABLE BATTERY	1	(LI-ION TYPE)
	20	WES8176L6007	P TIGHT SCREW	8	(M2-12)
	21	WESLV81K3121	BOTTOM COVER	1	
	22	WES8176L6057	TAPPING SCREW	1	(M2-8)
	23	WESLV81K3031	BODY BLOCK	1	
	24	WESLV90K7663	CHARGING ADAPTOR	1	(C-2 PLUG)
	25	WESLV90K7358	WATER TANK	1	
	26	WESLV81K4218	SELF-CLEANING RECHARGER	1	
	27	WES035K7771	DETERGENT CARTRIDGE	1	(2PCS/PK)
	28	WESLA92K3747	SOFT CASE	1	
	29	WES8093H7057	CLEANING BRUSH	1	
	30	WES8196X7918	OIL	1	
	-	WESLV81K8003	INDIVIDUAL BOX	1	
	-	WESLV81K8101	OPERATING INSTRUCTIONS	1	

Model No. : ES-LV61 Exploded View for ES-LV61



Model No. : ES-LV61 Parts List

Safety	Ref. No.	Part No.	Part Name & Description	Q'ty	Remarks
ES-LV61					
	1	WESLV90X7158	PROTECTIVE CAP	1	
	2	WESLV61S0048	OUTER FOIL FRAME	1	
	3	WES9171Y	OUTER FOIL	1	
	4	WES9170Y	INNER BLADE	1ST	
	5	WESLV61L1009	LINEAR MOTOR ASSEMBLY	1	
	6	WESLV90L1087	TRIMMER DRIVING BAR	1	
	7	WESLV90L1077	SLIT BLADE DRIVING BAR	1	
	8	WESLV90L1177	FINISHING BLADE DRIVING BAR	1	
	9	WESLV90L0327	WATERPROOF RUBBER	1	
	10	WESLV90L1507	TRIMMER	1	
	11	WESLV61K3059	HOUSING A	1	
	12	WESLV90H3067	HOUSING B	1	
	13	WESLV90K3367	REAR PANEL	1	
	14	WESLV61S3858	TOP REAR PANEL	1	
	15	WES8255L0497	REAR COVER	1	
	16	WESLV61L2128	MODULE	1	
	17	WES8163L2504	RECHARGEABLE BATTERY	1	(LI-ION TYPE)
	18	WES8176L6007	P TIGHT SCREW	8	(M2-12)
	19	WESLV61K3121	BOTTOM COVER	1	
	20	WES8176L6057	TAPPING SCREW	1	(M2-8)
	21	WESLV61K3030	BODY BLOCK	1	
	22	WESLV90K7663	CHARGING ADAPTOR	1	(C-2 PLUG)
	23	WESLA92K3747	SOFT CASE	1	
	24	WES8093H7057	CLEANING BRUSH	1	
	25	WES8196X7918	OIL	1	
	-	WESLV61K8001	INDIVIDUAL BOX	1	
	-	WESLV61K8100	OPERATING INSTRUCTIONS	1	