

Service Manual

AC/Rechargeable Shaver

Simplified

Model No. **ES-LV6N**

RUSSIA
OCEANIA
MIDDLE EAST
HONG KONG

Please file and use this manual together with the service manual for Model No. ES-LV95/ES-LV94/ES-LV65/
ES-LV54, Order No.SD1309A37CE.

 **WARNING**

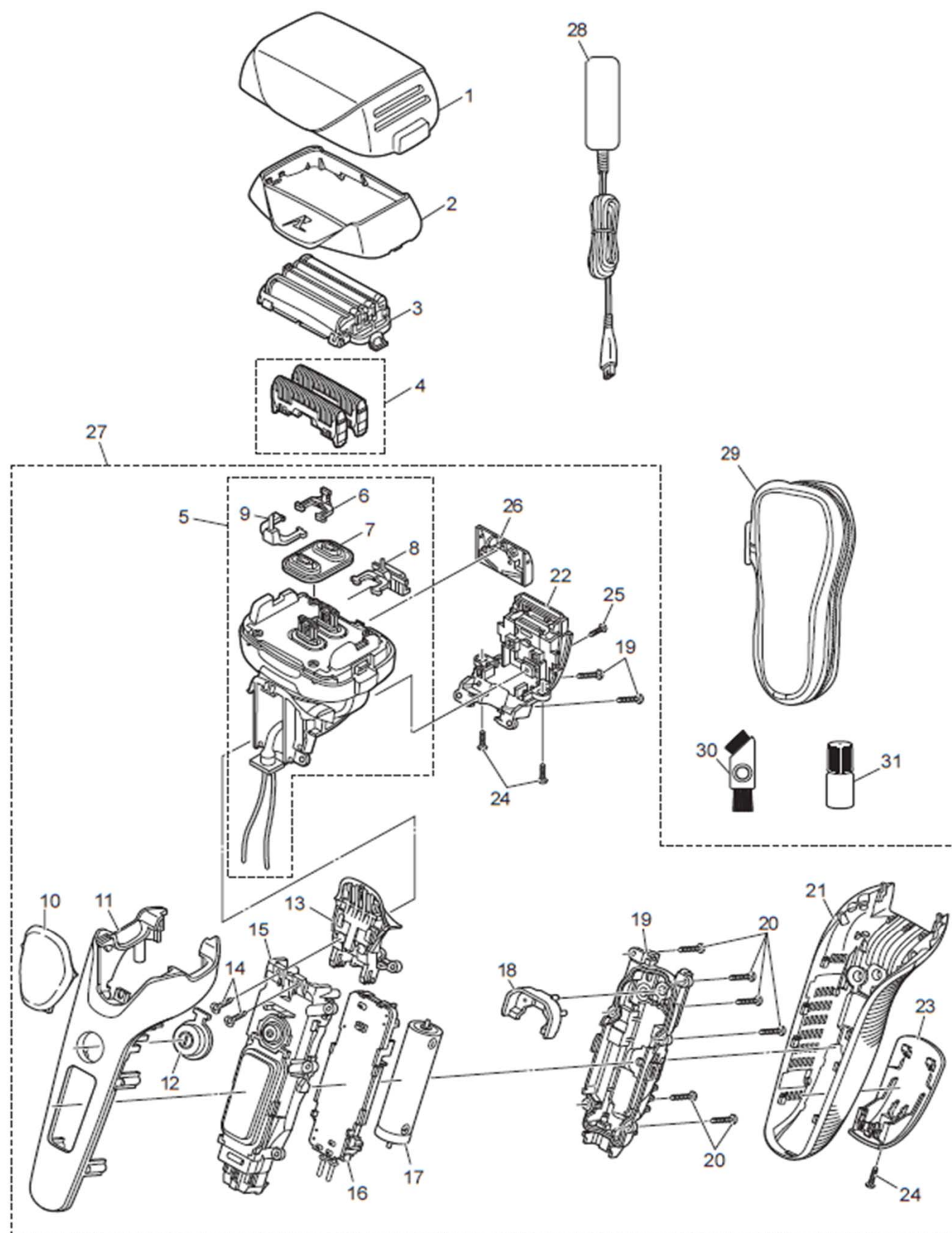
This service information is designed for experienced repair technicians only and is not designed for use by the general public. It does not contain warnings or cautions to advise non-technical individuals of potential dangers in attempting to service a product. Products powered by electricity should be serviced or repaired only by experienced professional technicians. Any attempt to service or repair the product or products dealt with in this service information by anyone else could result in serious injury or death.

There are special components used in this equipment which are important for safety. These parts are marked by ! in the Schematic Diagrams, Circuit Board Diagrams, Exploded views and Replacement Parts List. It is essential that these critical parts should be replaced with manufacture's specified parts to prevent shock, fire or other hazards. Do not modify the original design without permission of manufacturer.

Panasonic[®]

©Panasonic Corporation 2016 Unauthorized copying and distribution is a violation of law.

EXPLODED VIEWS



| Ref.No. | Part No. | Part Name & Descriptions | Quantity | Remarks |
|---------|--------------|-----------------------------|----------|-------------------------------|
| 1 | WESLV94X7158 | PROTECTIVE CAP | 1 | |
| 2 | WESLV6NS0048 | OUTER FOIL FRAME | 1 | |
| 3 | WES9175Y | OUTER FOIL | 1 | RUSSIA, OCEANIA |
| 3 | WES9175E | OUTER FOIL | 1 | MIDDLE EAST, HONG KONG |
| 4 | WES9170Y | INNER BLADE | 1ST | RUSSIA, OCEANIA |
| 4 | WES9170E | INNER BLADE | 1ST | MIDDLE EAST, HONG KONG |
| 5 | WESLV9AL1007 | LINEAR MOTOR ASSEMBLY | 1 | |
| 6 | WESLV90L1077 | SLIT BLADE DRIVING BAR | 1 | |
| 7 | WESLV90L0327 | WATERPROOF RUBBER | 1 | |
| 8 | WESLV90L1087 | TRIMMER DRIVING BAR | 1 | |
| 9 | WESLV90L1177 | FINISHING BLADE DRIVING BAR | 1 | |
| 10 | WESLV9AL0327 | FINGER PANEL | 1 | |
| 11 | WESLT2NS3058 | FRONT PANEL | 1 | |
| 12 | WESLT8NS3568 | SWITCH BUTTON | 1 | |
| 13 | WESLV9AL3107 | SUSPENSION | 1 | |
| 14 | WESLT8NL6048 | TAPPING SCREW | 2 | |
| 15 | WESLT8NL3068 | HOUSING A | 1 | |
| 16 | WESLV6NL2128 | MODULE | 1 | |
| 17 | WESLV95L2508 | RECHARGEABLE BATTERY | 1 | LI-ION/RUSSIA, OCEANIA |
| 17 | WESLV95L2509 | RECHARGEABLE BATTERY | 1 | LI-ION/MIDDLE EAST, HONG KONG |
| 18 | WES8255L0497 | REAR COVER | 1 | |
| 19 | WESLV5AL3067 | HOUSING B | 1 | |
| 20 | WES8176L6007 | P TIGHT SCREW | 8 | M2-12 |
| 21 | WESLT8NK3368 | REAR PANEL | 1 | |
| 22 | WESLT8NK3138 | SUSPENSION COVER | 1 | |
| 23 | WESLV6NK3128 | BOTTOM COVER | 1 | RUSSIA |
| 23 | WESLV6NK3129 | BOTTOM COVER | 1 | OCEANIA |
| 23 | WESLV6NK3120 | BOTTOM COVER | 1 | UAE, MIDDLE EAST |
| 23 | WESLV6NK3121 | BOTTOM COVER | 1 | HONG KONG |
| 24 | WES8176L6057 | TAPPING SCREW | 3 | M2-8 |
| 25 | WES8238L6007 | P TIGHT SCREW | 1 | M2-8 |
| 26 | WESLT8NK1508 | TRIMMER | 1 | |
| 27 | WESLV6NS3038 | BODY BLOCK | 1 | RUSSIA |
| 27 | WESLV6NS3039 | BODY BLOCK | 1 | OCEANIA |
| 27 | WESLV6NS3030 | BODY BLOCK | 1 | UAE, MIDDLE EAST |
| 27 | WESLV6NS3031 | BODY BLOCK | 1 | HONG KONG |
| 28 | WESLT8NK7666 | CHARGING ADAPTOR | 1 | RUSSIA, OCEANIA |
| 28 | WESLT6AK7663 | CHARGING ADAPTOR | 1 | HONG KONG |
| 28 | WESLT4NK7675 | CHARGING ADAPTOR | 1 | MIDDLE EAST, UAE |
| 29 | WESLA92K3747 | SOFT CASE | 1 | |
| 30 | WES8093H7057 | CLEANING BRUSH | 1 | |
| 31 | WES8196X7918 | OIL | 1 | |
| - | WESLV6NS8008 | INDIVIDUAL BOX | 1 | RUSSIA |
| - | WESLV6NS8009 | INDIVIDUAL BOX | 1 | OCEANIA |
| - | WESLV6NS8000 | INDIVIDUAL BOX | 1 | MIDDLE EAST |
| - | WESLV6NS8001 | INDIVIDUAL BOX | 1 | HONG KONG |
| - | WESLV6NS8002 | INDIVIDUAL BOX | 1 | UAE |
| - | WESLV6NS8108 | OPERATING INSTRUCTIONS | 1 | RUSSIA |
| - | WESLV6NS8109 | OPERATING INSTRUCTIONS | 1 | OCEANIA |
| - | WESLV6NS8100 | OPERATING INSTRUCTIONS | 1 | HONG KONG, MIDDLE EAST, UAE |