

# Service Manual

AC/Rechargeable Shaver

Model No. **ES-LT70**  
**ES-LT50**  
**ES-LT20**

Asia and China



Please file and use this manual together with the service manual for Model No. ES8119, Order No. SD0812H60CE and SD0812K60AE.

### **⚠ WARNING**

This service information is designed for experienced repair technicians only and is not designed for use by the general public. It does not contain warnings or cautions to advise non-technical individuals of potential dangers in attempting to service a product. Products powered by electricity should be serviced or repaired only by experienced professional technicians. Any attempt to service or repair the product or products dealt with in this service information by anyone else could result in serious injury or death.

### **IMPORTANT SAFETY NOTICE**

There are special components used in this equipment which are important for safety. These parts are marked by ⚠ in the Schematic Diagrams, Circuit Board Diagrams, Exploded Views and Replacement Parts List. It is essential that these critical parts should be replaced with manufacturer's specified parts to prevent shock, fire or other hazards. Do not modify the original design without permission of manufacturer.

## TABLE OF CONTENTS

	PAGE		PAGE
1 Warning-----	2		
2 Specifications -----	2		
3 Exploded View and Replacement Parts List -----	3		

# 1 Warning

## Caution:

- Pb free solder has a higher melting point than standard solder; Typically the melting point is 50 - 70°F (30 - 40°C) higher. Please use a soldering iron with temperature control and adjust it to 750 ± 20°F (400 ± 10°C). In case of using high temperature soldering iron, please be careful not to heat too long.
- Pb free solder will tend to splash when heated too high (about 1100°F / 600°C).

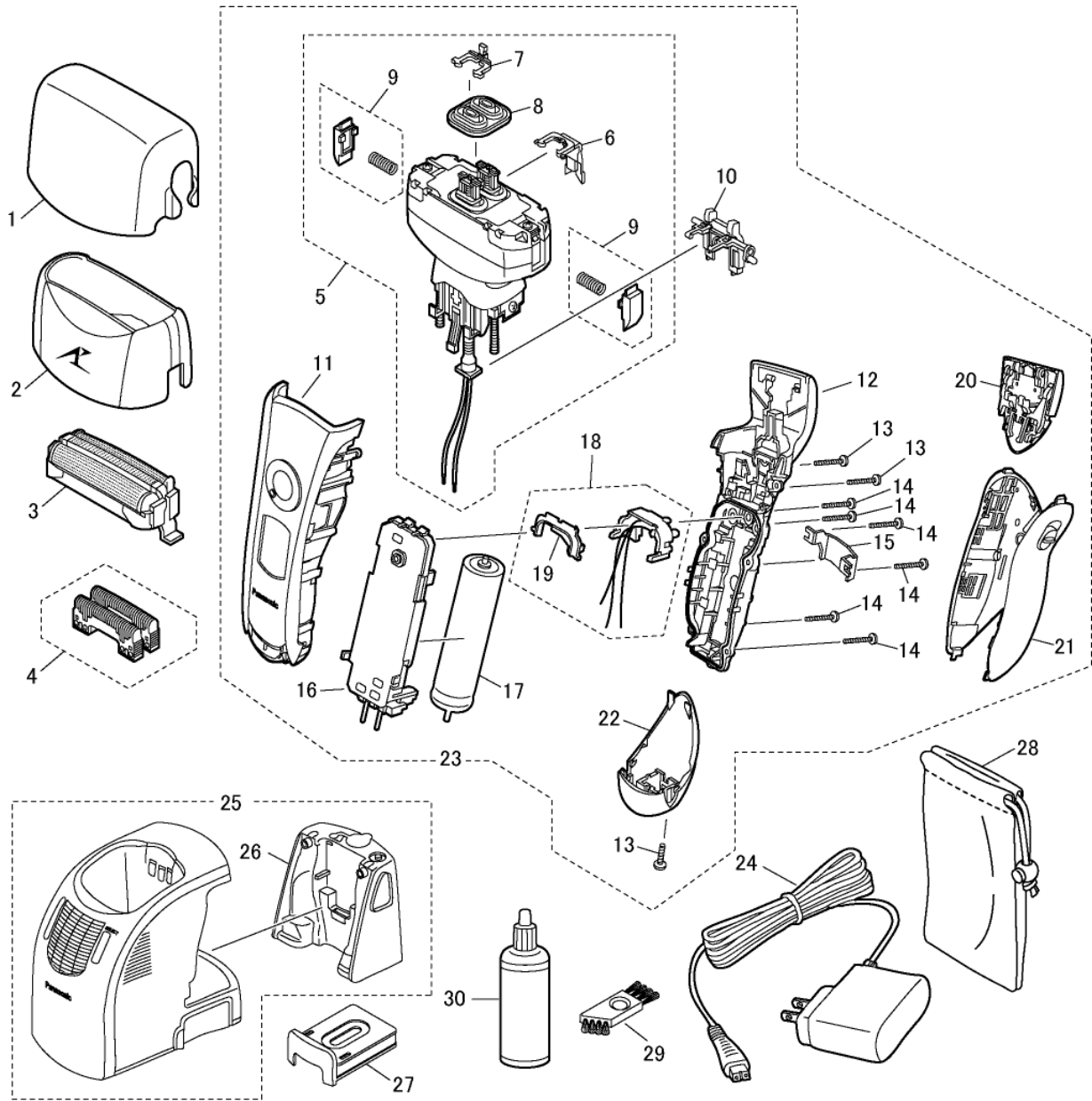
# 2 Specifications

Power source	AC 100-240V, 50-60Hz (Automatic voltage conversion)
Power consumption	Approx. 6W (when charging)
Charging time	1 Hour
Shaves per charge	14 times (3 minutes shave)
Measurement	(H)15.7 x (W)6.4 x (D)4.3 cm
Weight	170g (ES-LT70), 165g (ES-LT50 and ES-LT20)

Supplied accessories	Self-cleaning recharger (ES-LT70)
	Charging stand (ES-LT50 and ES-LT20)
	Soft case
	Oil
	Cleaning brush

# 3 Exploded View and Replacement Parts List

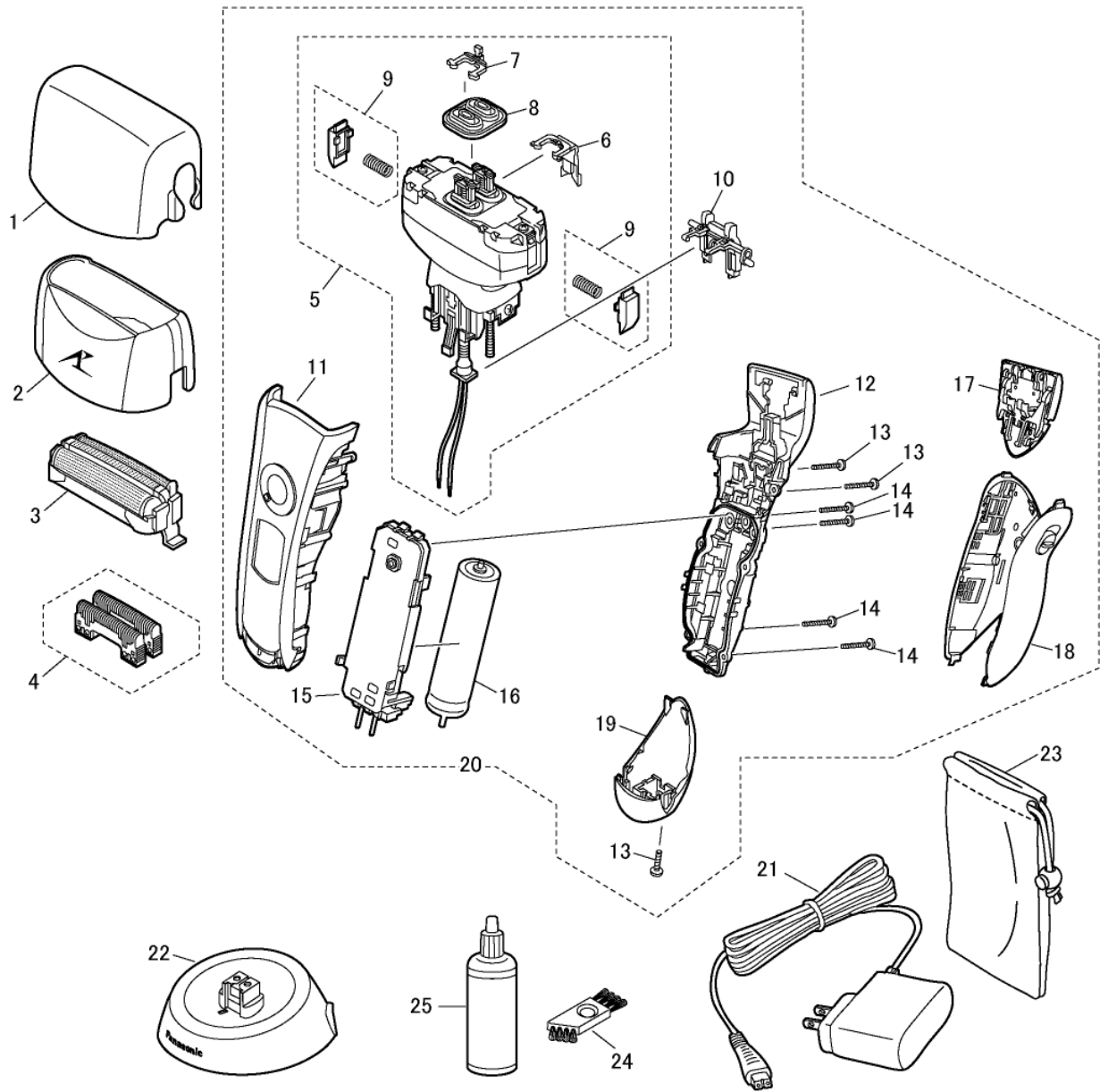
Model No. : ES-LT70 Exploded View for ES-LT70



## Model No. : ES-LT70 Parts List

Safety	Ref. No.	Part No.	Part Name & Description	Q'ty	Remarks
ES-LT70					
	1	WES8116X7158	PROTECTIVE CAP	1	
	2	WES8119S0047	OUTER FOIL FRAME	1	
	3	WES9087N	OUTER FOIL	1	(only for China)
	3	WES9087E	OUTER FOIL	1	
	4	WES9068N	INNER BLADE	1ST	(only for China)
	4	WES9068E	INNER BLADE	1ST	
	5	WESLT70L1007	LINEAR MOTOR ASSEMBLY	1	
	6	WES8119L1087	TRIMMER DRIVING BAR	1	
	7	WES8176L1077	SLIT BLADE DRIVING BAR	1	
	8	WES8176L0327	WATERPROOF RUBBER	1	
	9	WES8119K3267	FOIL RELEASE BUTTON	2	(2PCS/PK)
	10	WES8258L0537	TUBE HOLDER	1	
	11	WESLT70S3058	HOUSING A	1	
	12	WES8119S3068	HOUSING B	1	
	13	WES8176L6057	TAPPING SCREW	3	(M2-8)
	14	WES8176L6007	P TIGHT SCREW	6	(M2-12)
	15	WES8238L0487	CONNECTING PLATE	1	
	16	WESLT70L2127	MODULE	1	
	17	WES8176L2509	LITHIUM ION STORAGE BATTERY	1	(LM-ION TYPE)
	18	WES8119L0497	TERMINAL BASE	1	
	19	WES8238H0527	TERMINAL COVER	1	
	20	WES8119K1507	TRIMMER	1	
	21	WESLT70K3367	REAR PANEL	1	
	22	WESLT70S3128	BOTTOM COVER	1	(only for China)
	22	WESLT70S3129	BOTTOM COVER	1	
	23	WESLT70S3038	BODY BLOCK	1	(only for China)
	23	WESLT70S3039	BODY BLOCK	1	
	24	WESLA90K7676	CHARGING ADAPTOR	1	(GB PLUG TYPE)
	24	WESLA90K7774	CHARGING ADAPTOR	1	(C-2 PLUG TYPE)
	25	WESLT70K4218	SELF-CLEANING RECHARGER	1	(only for China)
	25	WESLT70K4219	SELF-CLEANING RECHARGER	1	
	26	WES8258K7357	WATER TANK	1	
	27	WES035K7779	DETERGENT CARTRIDGE	1	(only for China), (3PCS/BOX)
	27	WES035K7778	DETERGENT CARTRIDGE	1	(3PCS/BOX)
	28	WESLT70K7007	SOFT CASE	1	
	29	WES8093H7057	CLEANING BRUSH	1	
	30	WES8196X7918	OIL	1	
	-	WESLT70S8008	INDIVIDUAL BOX	1	(only for China)
	-	WESLT70S8009	INDIVIDUAL BOX	1	
	-	WESLT70S8108	OPERATING INSTRUCTIONS	1	(only for China)
	-	WESLT70S8109	OPERATING INSTRUCTIONS	1	

**Model No. : ES-LT50 Exploded View for ES-LT50**



## Model No. : ES-LT50 Parts List

Safety	Ref. No.	Part No.	Part Name & Description	Q'ty	Remarks
ES-LT50					
	1	WES8116X7158	PROTECTIVE CAP	1	
	2	WESLT50S0047	OUTER FOIL FRAME	1	
	3	WES9087N	OUTER FOIL	1	(only for China)
	3	WES9087E	OUTER FOIL	1	
	4	WES9068N	INNER BLADE	1ST	(only for China)
	4	WES9068E	INNER BLADE	1ST	
	5	WESLT50L1007	LINEAR MOTOR ASSEMBLY	1	
	6	WES8119L1087	TRIMMER DRIVING BAR	1	
	7	WES8176L1077	SLIT BLADE DRIVING BAR	1	
	8	WES8176L0327	WATERPROOF RUBBER	1	
	9	WES8119K3267	FOIL RELEASE BUTTON	2	(2PCS/PK)
	10	WES8258L0537	TUBE HOLDER	1	
	11	WESLT50K3058	HOUSING A	1	
	12	WESLT50S3067	HOUSING B	1	
	13	WES8176L6057	TAPPING SCREW	3	(M2-8)
	14	WES8176L6007	P TIGHT SCREW	6	(M2-12)
	15	WESLT50L2127	MODULE	1	
	16	WES8176L2509	LITHIUM ION STORAGE BATTERY	1	(LM-ION TYPE)
	17	WES8119K1507	TRIMMER	1	
	18	WESLT70K3367	REAR PANEL	1	
	19	WESLT50S3128	BOTTOM COVER	1	(for China)
	19	WESLT50S3129	BOTTOM COVER	1	
	19	WESLT50S3120	BOTTOM COVER	1	(for Taiwan)
	20	WESLT50K3038	BODY BLOCK	1	(for China)
	20	WESLT50K3039	BODY BLOCK	1	
	20	WESLT50K3030	BODY BLOCK	1	(for Taiwan)
	21	WESLA90K7676	CHARGING ADAPTOR	1	(GB PLUG TYPE)
	21	WESLA90K7774	CHARGING ADAPTOR	1	(C-2 PLUG TYPE)
	21	WESGA20K7671	CHARGING ADAPTOR	1	(KS PLUG TYPE)
	21	WESGA20K7662	CHARGING ADAPTOR	1	(A-2 PLUG TYPE)
	22	WESLT50K7188	CHARGING STAND	1	(for China)
	22	WESLT50K7189	CHARGING STAND	1	
	22	WESLT50K7180	CHARGING STAND	1	(for Taiwan)
	23	WESLT70K7007	SOFT CASE	1	
	24	WES8093H7057	CLEANING BRUSH	1	
	25	WES8196X7918	OIL	1	
	-	WESLT50K8008	INDIVIDUAL BOX	1	(for China)
	-	WESLT50K8009	INDIVIDUAL BOX	1	
	-	WESLT50K8000	INDIVIDUAL BOX	1	(for Korea)
	-	WESLT50K8001	INDIVIDUAL BOX	1	(for Taiwan)
	-	WESLT20S8108	OPERATING INSTRUCTIONS	1	(for China)
	-	WESLT20S8109	OPERATING INSTRUCTIONS	1	

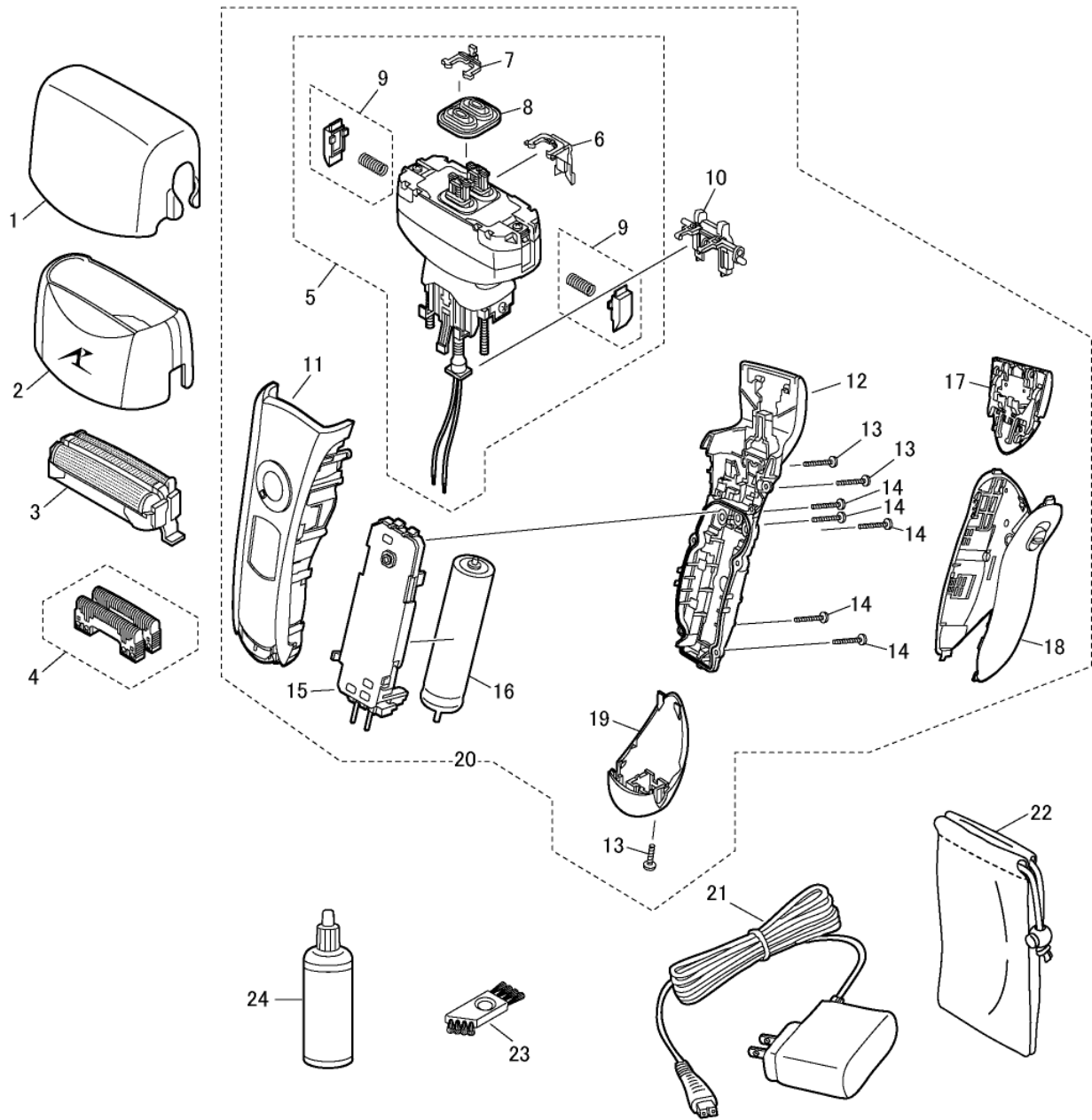
---

**Model No. : ES-LT50 Parts List**

---

Safety	Ref. No.	Part No.	Part Name & Description	Q'ty	Remarks
	-	WESLT20S8100	OPERATING INSTRUCTIONS	1	(for Taiwan)

**Model No. : ES-LT20 Exploded View for ES-LT20**





## Model No. : ES-LT20 Parts List

Safety	Ref. No.	Part No.	Part Name & Description	Q'ty	Remarks
ES-LT20					
	1	WES8116X7158	PROTECTIVE CAP	1	
	2	WES8119S0047	OUTER FOIL FRAME	1	
	3	WES9087N	OUTER FOIL	1	(only for China)
	3	WES9087E	OUTER FOIL	1	
	4	WES9068N	INNER BLADE	1ST	(only for China)
	4	WES9068E	INNER BLADE	1ST	
	5	WESLT20L1007	LINEAR MOTOR ASSEMBLY	1	
	6	WES8119L1087	TRIMMER DRIVING BAR	1	
	7	WES8176L1077	SLIT BLADE DRIVING BAR	1	
	8	WES8176L0327	WATERPROOF RUBBER	1	
	9	WES8119K3267	FOIL RELEASE BUTTON	2	(2PCS/PK)
	10	WES8258L0537	TUBE HOLDER	1	
	11	WESLT20S3058	HOUSING A	1	
	12	WESLT20S3067	HOUSING B	1	
	13	WES8176L6057	TAPPING SCREW	3	(M2-8)
	14	WES8176L6007	P TIGHT SCREW	6	(M2-12)
	15	WESLT20L2127	MODULE	1	
	16	WES8176L2509	LITHIUM ION STORAGE BATTERY	1	(LM-ION TYPE)
	17	WES8119K1507	TRIMMER	1	
	18	WESLT70K3367	REAR PANEL	1	
	19	WESLT20S3128	BOTTOM COVER	1	(for China)
	19	WESLT20S3129	BOTTOM COVER	1	
	19	WESLT20S3120	BOTTOM COVER	1	(for Taiwan)
	20	WESLT20S3038	BODY BLOCK	1	(for China)
	20	WESLT20S3039	BODY BLOCK	1	
	20	WESLT20S3030	BODY BLOCK	1	(for Taiwan)
	21	WESLA90K7676	CHARGING ADAPTOR	1	(GB PLUG TYPE)
	21	WESLA90K7774	CHARGING ADAPTOR	1	(C-2 PLUG TYPE)
	21	WESGA20K7671	CHARGING ADAPTOR	1	(KS PLUG TYPE)
	21	WESGA20K7662	CHARGING ADAPTOR	1	(A-2 PLUG TYPE)
	22	WESLT70K7007	SOFT CASE	1	
	23	WES8093H7057	CLEANING BRUSH	1	
	24	WES8196X7918	OIL	1	
	-	WESLT20S8008	INDIVIDUAL BOX	1	(for China)
	-	WESLT20S8009	INDIVIDUAL BOX	1	
	-	WESLT20S8000	INDIVIDUAL BOX	1	(for Korea)
	-	WESLT20S8001	INDIVIDUAL BOX	1	(for Taiwan)
	-	WESLT20S8108	OPERATING INSTRUCTIONS	1	(for China)
	-	WESLT20S8109	OPERATING INSTRUCTIONS	1	
	-	WESLT20S8100	OPERATING INSTRUCTIONS	1	(for Taiwan)