

Service Manual

AC/Rechargeable Shaver

Model No. **ES-LT4N**

Model No. **ES-LT6A**

Model No. **ES-LT2A**

Simplified



MIDDLE EAST
ASIA

Please file and use this manual together with the service manual for Model No.ES8119, Order No.SD0812H60CE.

⚠ WARNING

This service information is designed for experienced repair technicians only and is not designed for use by the general public. It does not contain warnings or cautions to advise non-technical individuals of potential dangers in attempting to service a product. Products powered by electricity should be serviced or repaired only by experienced professional technicians. Any attempt to service or repair the product or products dealt with in this service information by anyone else could result in serious injury or death.

IMPORTANT SAFETY NOTICE

There are special components used in this equipment which are important for safety. These parts are marked by **⚠** in the Schematic Diagrams, Circuit Board Diagrams, Exploded Views and Replacement Parts List. It is essential that these critical parts should be replaced with manufacturer's specified parts to prevent shock, fire or other hazards. Do not modify the original design without permission of manufacturer.

TABLE OF CONTENTS

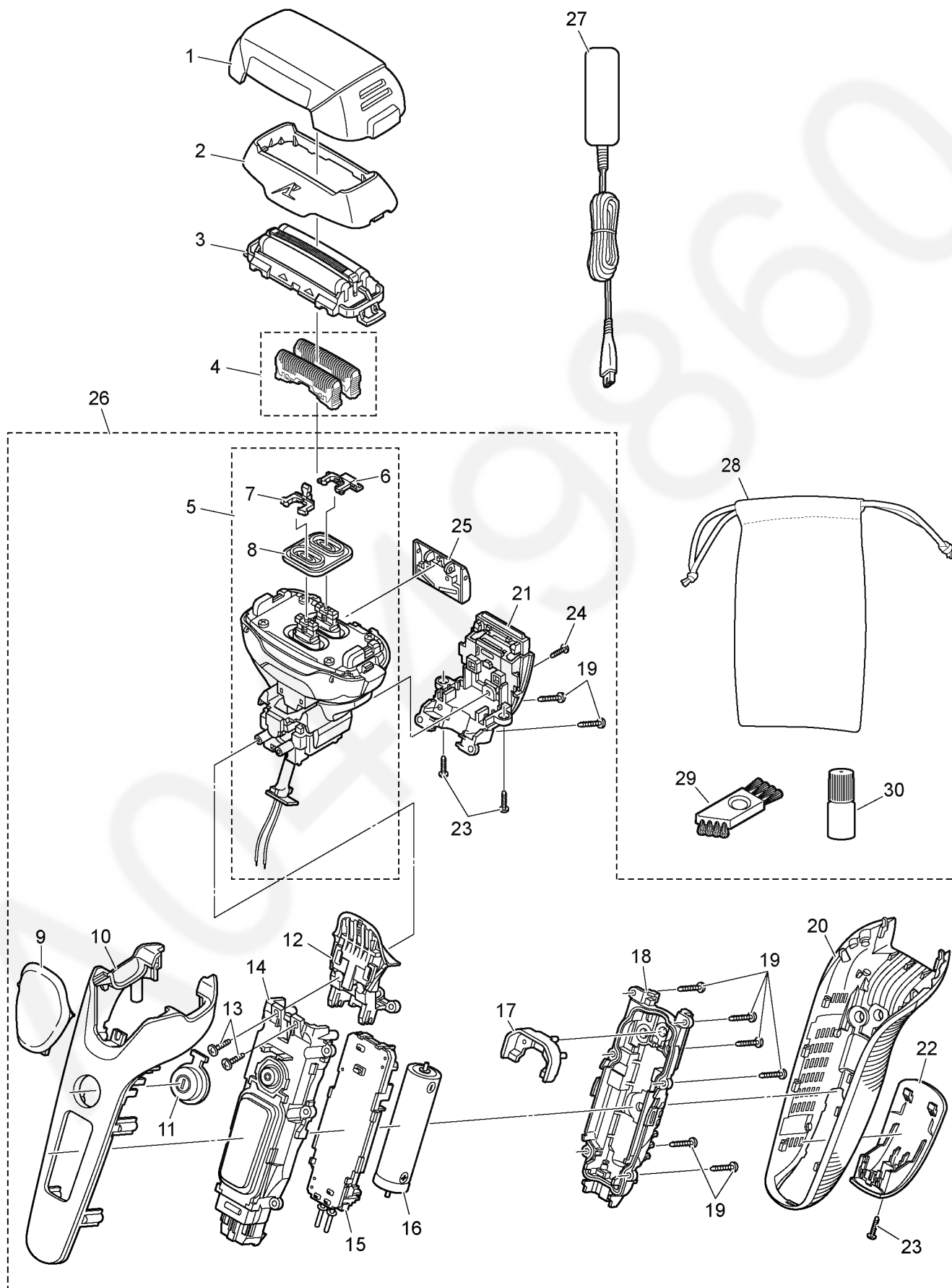
	PAGE	PAGE
1 EXPLODED VIEW & REPLACEMENT PARTS LIST ---- 2		

Panasonic

© Panasonic Corporation 2015 Unauthorized copying and distribution is a violation of law.

1 EXPLODED VIEW & REPLACEMENT PARTS LIST

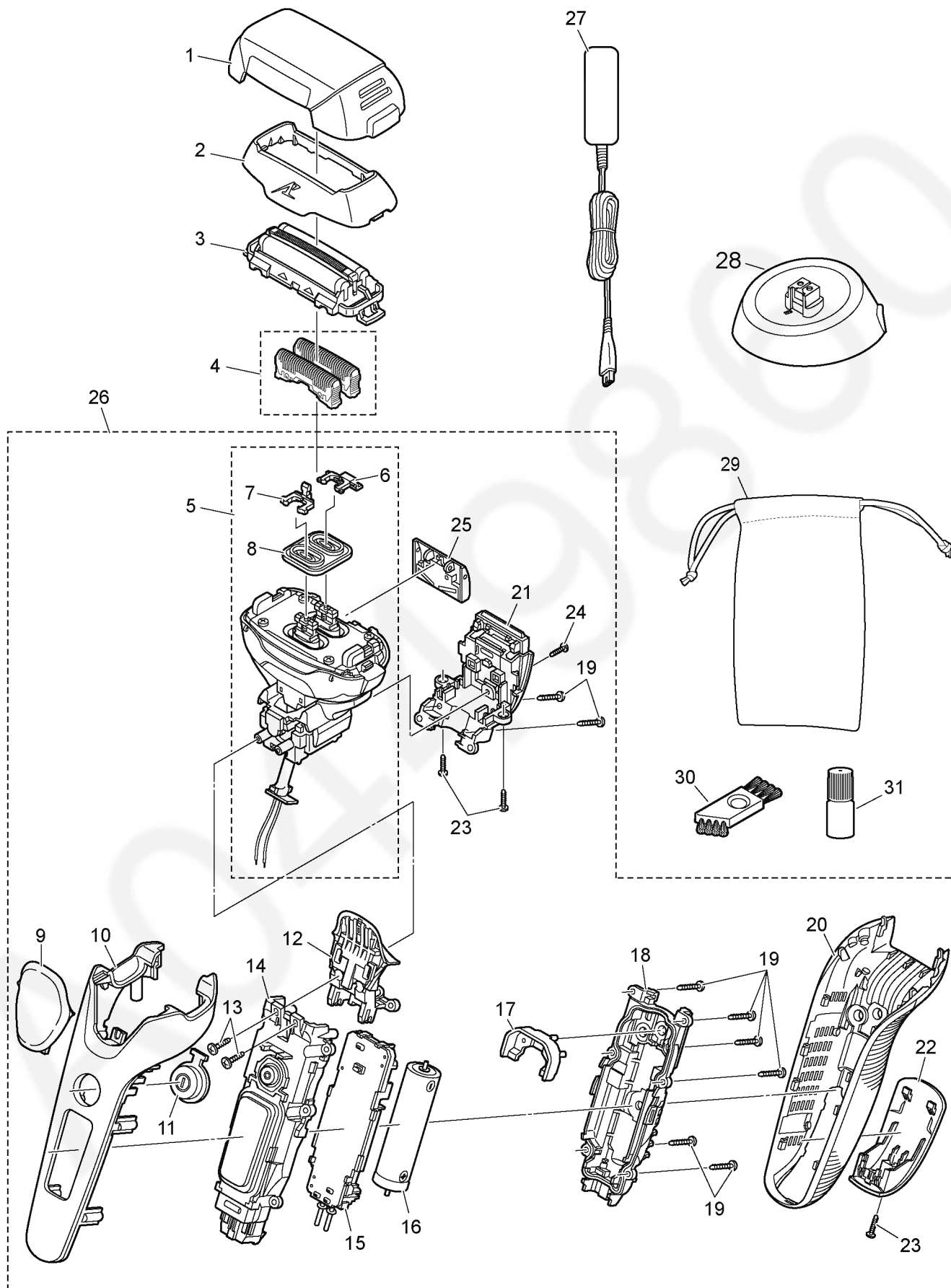
1.1. EXPLODED VIEW ES-LT4N



1.2. REPLACEMENT PARTS LIST ES-LT4N

Safety	Ref. No.	Part No.	Part Name & Description	Quantity	Remarks
	1	WESLT8NX7158	PROTECTIVE CAP	1	
	2	WESLT8NS0048	OUTER FOIL FRAME	1	
	3	WES9089E	OUTER FOIL	1	
	4	WES9068E	INNER BLADE	1ST	
	5	WESLT8NL1008	LINEAR MOTOR ASSEMBLY	1	
	6	WESLT8NL1088	TRIMMER DRIVING BAR	1	
	7	WESLT8NL1078	SLIT BLADE DRIVING BAR	1	
	8	WESLT8NL0328	WATERPROOF RUBBER	1	
	9	WESLT8NK3068	FINGER PANEL	1	
	10	WESLT8NS3058	FRONT PANEL	1	
	11	WESLT8NS3568	SWITCH BUTTON	1	
	12	WESLT8NL3388	SUSPENSION	1	
	13	WESLT8NL6048	TAPPING SCREW	2	
	14	WESLT8NL3078	HOUSING A	1	
	15	WESLT6NL2128	MODULE	1	
	16	WESLV95L2509	RECHARGEABLE BATTERY	1	LI-ION
	17	WES8255L0497	REAR COVER	1	
	18	WESLT8NL3088	HOUSING B	1	
	19	WES8176L6007	P TIGHT SCREW	8	M2-12
	20	WESLT8NK3368	REAR PANEL	1	
	21	WESLT8NK3138	SUSPENSION COVER	1	
	22	WESLT4NK3129	BOTTOM COVER	1	
	23	WES8176L6057	TAPPING SCREW	3	M2-8
	24	WES8238L6007	P TIGHT SCREW	1	M2-8
	25	WESLT8NK1508	TRIMMER	1	
	26	WESLT4NS3039	BODY BLOCK	1	
	27	WESLT4NK7675	CHARGING ADAPTOR	1	BF-3 UAE/SAUDI ARABIA
	27	WESLT6NK7663	CHARGING ADAPTOR	1	C-2 MIDDLE EAST
	28	WESLT6NK7008	SOFT CASE	1	
	29	WES8093H7057	CLEANING BRUSH	1	
	30	WES8196X7918	OIL	1	
	-	WESLT4NS8009	INDIVIDUAL BOX	1	UAE/SAUDI ARABIA
	-	WESLT4NS8000	INDIVIDUAL BOX	1	MIDDLE EAST
	-	WESLT4NS8108	OPERATING INSTRUCTIONS	1	

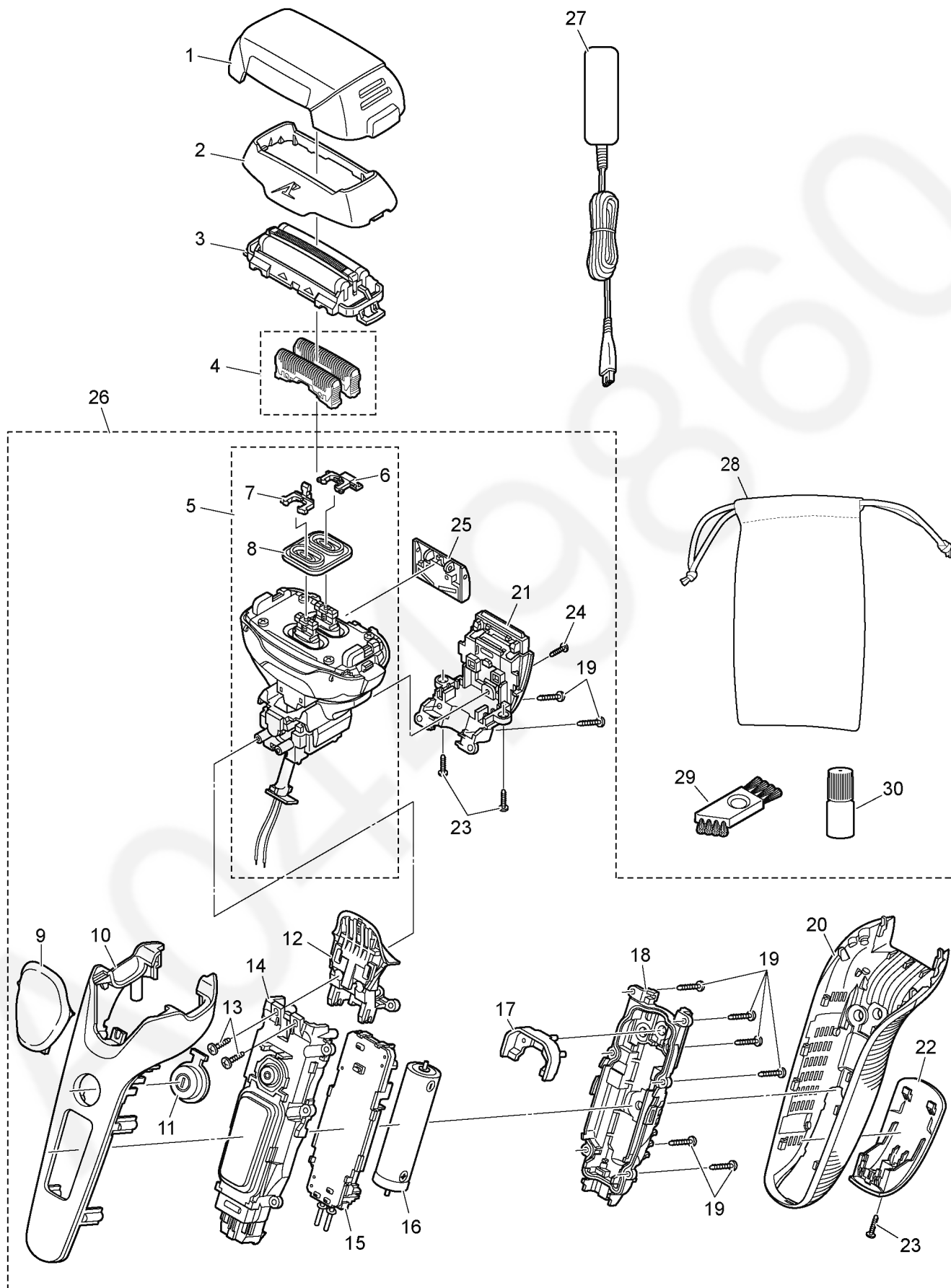
1.3. EXPLODED VIEW ES-LT6A



1.4. REPLACEMENT PARTS LIST ES-LT6A

Safety	Ref. No.	Part No.	Part Name & Description	Quantity	Remarks
	1	WESLT8NX7158	PROTECTIVE CAP	1	
	2	WESLT8NS0048	OUTER FOIL FRAME	1	
	3	WES9089E	OUTER FOIL	1	
	4	WES9068E	INNER BLADE	1ST	
	5	WESLT8NL1008	LINEAR MOTOR ASSEMBLY	1	
	6	WESLT8NL1088	TRIMMER DRIVING BAR	1	
	7	WESLT8NL1078	SLIT BLADE DRIVING BAR	1	
	8	WESLT8NL0328	WATERPROOF RUBBER	1	
	9	WESLT8NK3068	FINGER PANEL	1	
	10	WESLT6AS3058	FRONT PANEL	1	
	11	WESLT8NS3568	SWITCH BUTTON	1	
	12	WESLT8NL3388	SUSPENSION	1	
	13	WESLT8NL6048	TAPPING SCREW	2	
	14	WESLT8NL3078	HOUSING A	1	
	15	WESLT6AL2128	MODULE	1	
	16	WESLV95L2509	RECHARGEABLE BATTERY	1	LI-ION
	17	WES8255L0497	REAR COVER	1	
	18	WESLT8NL3088	HOUSING B	1	
	19	WES8176L6007	P TIGHT SCREW	8	M2-12
	20	WESLT8NK3368	REAR PANEL	1	
	21	WESLT8NK3138	SUSPENSION COVER	1	
	22	WESLT6AK3128	BOTTOM COVER	1	
	23	WES8176L6057	TAPPING SCREW	3	M2-8
	24	WES8238L6007	P TIGHT SCREW	1	M2-8
	25	WESLT8NK1508	TRIMMER	1	
	26	WESLT6AS3038	BODY BLOCK	1	
	27	WESLT6AK7663	CHARGING ADAPTOR	1	C-2
	28	WESLT6NK7188	CHARGING STAND	1	
	29	WESLT6NK7008	SOFT CASE	1	
	30	WES8093H7057	CLEANING BRUSH	1	
	31	WES8196X7918	OIL	1	
	-	WESLT6AS8008	INDIVIDUAL BOX	1	
	-	WESLT6AS8108	OPERATING INSTRUCTIONS	1	

1.5. EXPLODED VIEW ES-LT2A



1.6. REPLACEMENT PARTS LIST ES-LT2A

Safety	Ref. No.	Part No.	Part Name & Description	Quantity	Remarks
	1	WESLT8NX7158	PROTECTIVE CAP	1	
	2	WESLT7NS0048	OUTER FOIL FRAME	1	
	3	WES9089E	OUTER FOIL	1	
	4	WES9068E	INNER BLADE	1ST	
	5	WESLT8NL1008	LINEAR MOTOR ASSEMBLY	1	
	6	WESLT8NL1088	TRIMMER DRIVING BAR	1	
	7	WESLT8NL1078	SLIT BLADE DRIVING BAR	1	
	8	WESLT8NL0328	WATERPROOF RUBBER	1	
	9	WESLT8NK3068	FINGER PANEL	1	
	10	WESLT2AS3058	FRONT PANEL	1	
	11	WESLT8NS3568	SWITCH BUTTON	1	
	12	WESLT8NL3388	SUSPENSION	1	
	13	WESLT8NL6048	TAPPING SCREW	2	
	14	WESLT2NL3068	HOUSING A	1	
	15	WESLT2AL2128	MODULE	1	
	16	WESLV95L2509	RECHARGEABLE BATTERY	1	LI-ION
	17	WES8255L0497	REAR COVER	1	
	18	WESLT8NL3088	HOUSING B	1	
	19	WES8176L6007	P TIGHT SCREW	8	M2-12
	20	WESLT8NK3368	REAR PANEL	1	
	21	WESLT8NK3138	SUSPENSION COVER	1	
	22	WESLT2AK3128	BOTTOM COVER	1	ASIA
	22	WESLT2AK3129	BOTTOM COVER	1	KOREA
	22	WESLT2AK3120	BOTTOM COVER	1	TAIWAN
	23	WES8176L6057	TAPPING SCREW	3	M2-8
	24	WES8238L6007	P TIGHT SCREW	1	M2-8
	25	WESLT8NK1508	TRIMMER	1	
	26	WESLT2AS3038	BODY BLOCK	1	ASIA
	26	WESLT2AS3039	BODY BLOCK	1	KOREA
	26	WESLT2AS3030	BODY BLOCK	1	TAIWAN
	27	WESLT6AK7663	CHARGING ADAPTOR	1	C-2 ASIA
	27	WESLT2AK7671	CHARGING ADAPTOR	1	KS KOREA
	27	WESLT2AK7662	CHARGING ADAPTOR	1	A-2 TAIWAN
	28	WESLT6NK7008	SOFT CASE	1	
	29	WES8093H7057	CLEANING BRUSH	1	
	30	WES8196X7918	OIL	1	
	-	WESLT2AS8008	INDIVIDUAL BOX	1	ASIA
	-	WESLT2AS8009	INDIVIDUAL BOX	1	KOREA
	-	WESLT2AS8000	INDIVIDUAL BOX	1	TAIWAN
	-	WESLT6AS8108	OPERATING INSTRUCTIONS	1	ASIA/KOREA
	-	WESLT2AS8108	OPERATING INSTRUCTIONS	1	TAIWAN