

Service Manual

AC/Rechargeable Shaver

Model No. **ES-LF50**

Asia

Simplified



Please file and use this manual together with the service manual for Model No. ES-LA92/ES-LA62, Order No. SD0906A65CE.

⚠ WARNING

This service information is designed for experienced repair technicians only and is not designed for use by the general public. It does not contain warnings or cautions to advise non-technical individuals of potential dangers in attempting to service a product. Products powered by electricity should be serviced or repaired only by experienced professional technicians. Any attempt to service or repair the product or products dealt with in this service information by anyone else could result in serious injury or death.

IMPORTANT SAFETY NOTICE

There are special components used in this equipment which are important for safety. These parts are marked by ⚠ in the Schematic Diagrams, Circuit Board Diagrams, Exploded Views and Replacement Parts List. It is essential that these critical parts should be replaced with manufacturer's specified parts to prevent shock, fire or other hazards. Do not modify the original design without permission of manufacturer.

TABLE OF CONTENTS

	PAGE		PAGE
1 Warning-----	2		
2 Specifications -----	2		
3 Disassembly and Assembly Instructions -----	3		
4 Schematic Diagram -----	4		
5 Exploded View and Replacement Parts List -----	5		

Panasonic

© Panasonic Electric Works Co., Ltd. 2011.
All rights reserved. Unauthorized copying and distribution is a violation of law.

1 Warning

Caution:

- Pb free solder has a higher melting point than standard solder; Typically the melting point is 50 - 70°F (30 - 40°C) higher. Please use a soldering iron with temperature control and adjust it to 750 ± 20°F (400 ± 10°C). In case of using high temperature soldering iron, please be careful not to heat too long.
- Pb free solder will tend to splash when heated too high (about 1100°F / 600°C).

2 Specifications

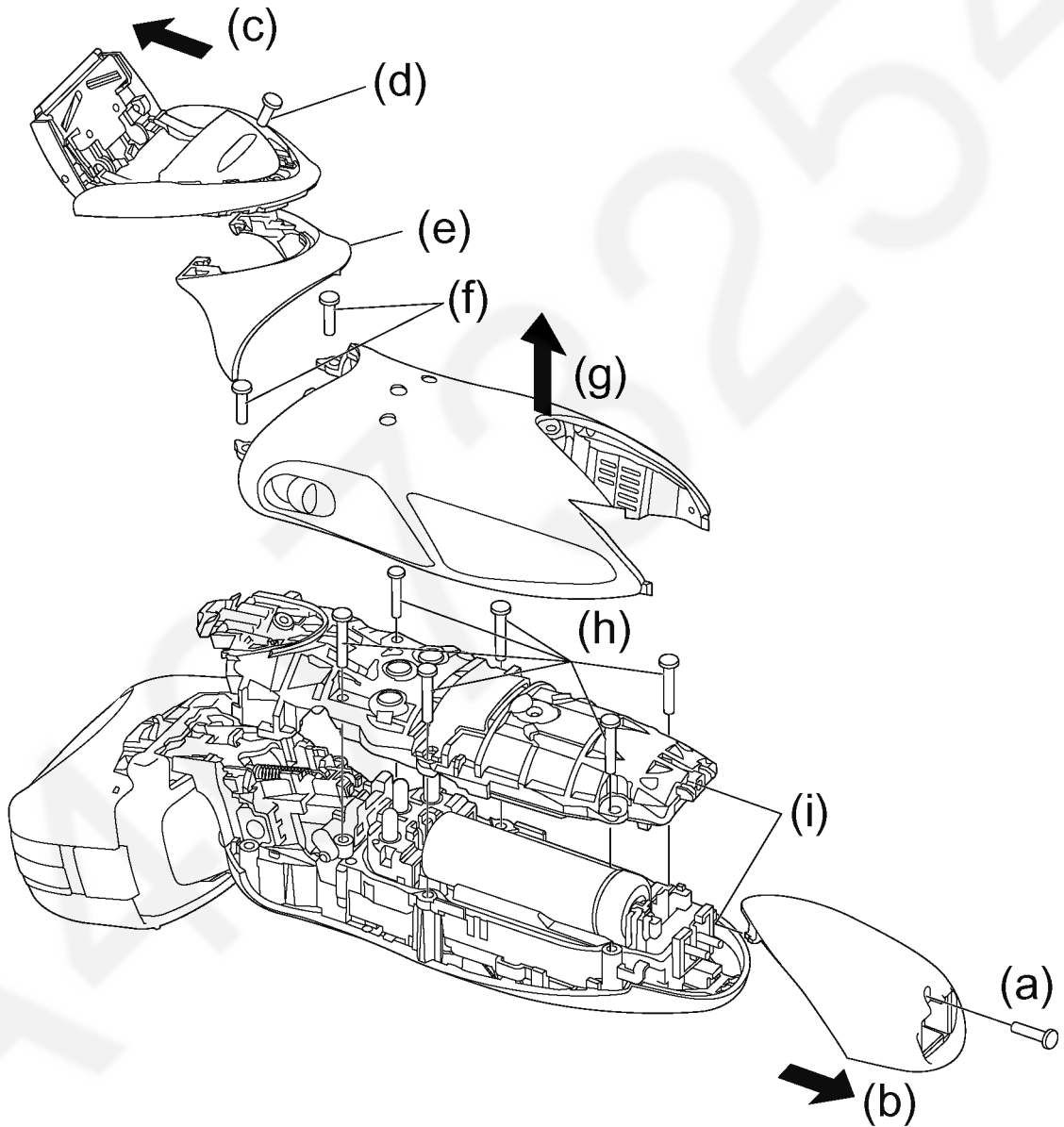
Power source	AC 100-240V, 50-60Hz (Automatic voltage conversion)
Power consumption	Approx. 7W (when charging)
Charging time	1 Hour
Shaves per charge	14 times (3 minutes shave)
Measurement	(H) 15.7 x (W) 6.3 x (D) 5.3
Weight	Approx. 175g (without protective cap)

Supplied accessories	Soft case
	Oil
	Cleaning brush

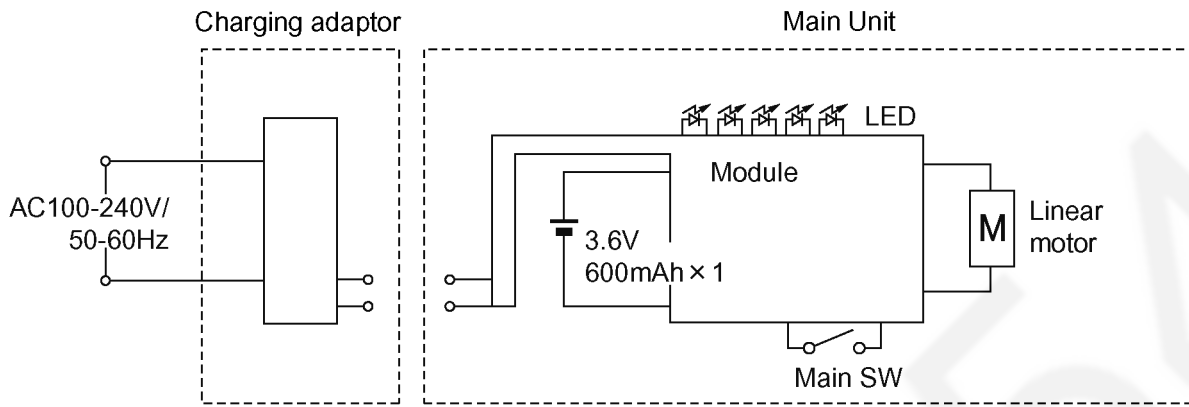
3 Disassembly Instructions

Follow the procedure below to disassemble the main body.

- (a) Loosen a screw.
- (b) Remove the bottom cover
- (c) Push up the blade of trimmer.
- (d) Loosen a screw.
- (e) Remove the upper rear panel.
- (f) Loosen two screws.
- (g) Remove the rear panel.
- (h) Loosen six screws.
- (i) Remove the housing B.

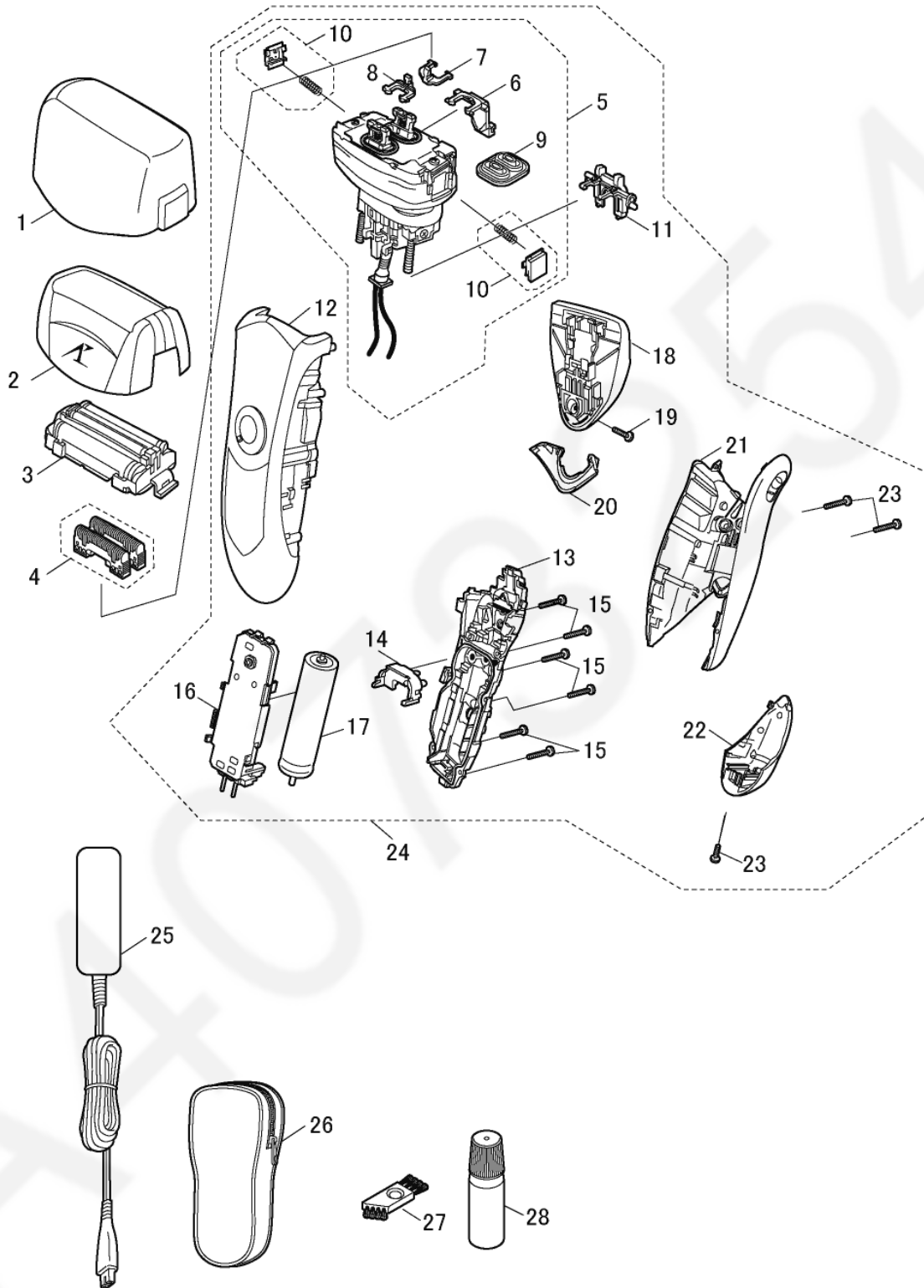


4 Schematic Diagram



5 Exploded View and Replacement Parts List

Model No. : ES-LF50 Exploded View



Model No. : ES-LF50 Parts List

Safety	Ref. No.	Part No.	Part Name & Description	Q'ty	Remarks
	1	WESLF70X7158	PROTECTIVE CAP	1	
	2	WESLF50S0048	OUTER FOIL FRAME	1	
	3	WES9167E	OUTER FOIL	1	
	4	WES9068E	INNER BLADE	1ST	
	5	WESLF50L1008	LINEAR MOTOR ASSEMBLY	1	
	6	WES8258L1087	TRIMMER DRIVING BAR	1	
	7	WES8258L1077	SLIT BLADE DRIVING BAR	1	
	8	WES8258L1177	FINISHING BLADE DRIVING BAR	1	
	9	WES8258L0327	WATERPROOF RUBBER	1	
	10	WESLF70K3267	FOIL RELEASE BUTTON	2	
	11	WES8258L0537	TUBE HOLDER	1	
	12	WESLF50K3058	HOUSING A	1	
	13	WES8258H3067	HOUSING B	1	
	14	WES8255L0497	REAR COVER	1	
	15	WES8176L6007	P TIGHT SCREW	6	(M2-12)
	16	WESLF50L2128	MODULE	1	
	17	WES8176L2508	RECHARGEABLE BATTERY	1	(LI-ION TYPE)
	18	WESLF70S1507	TRIMMER	1	
	19	WES8238L6007	P TIGHT SCREW	1	(M2-6)
	20	WESLF50K3858	REAR PANEL (UPPER)	1	
	21	WESLF70K3367	REAR PANEL	1	
	22	WESLF50K3129	BOTTOM COVER	1	
	22	WESLF50K3120	BOTTOM COVER	1	(ONLY TAIWAN)
	23	WES8176L6057	TAPPING SCREW	3	(M2-8)
	24	WESLF50K3039	BODY BLOCK	1	
	24	WESLF50K3030	BODY BLOCK	1	(ONLY TAIWAN)
	25	WESLV90K7663	CHARGING ADAPTOR	1	(C-2 PLUG)
	25	WESLV90K7662	CHARGING ADAPTOR	1	(A-2 PLUG)
	26	WES8259K7018	SOFT CASE	1	
	27	WES8093H7057	CLEANING BRUSH	1	
	28	WES8196X7918	OIL	1	
	-	WESLF50K8009	INDIVIDUAL BOX	1	
	-	WESLF50K8000	INDIVIDUAL BOX	1	(ONLY TAIWAN)
	-	WESLF50K8109	OPERATING INSTRUCTIONS	1	
	-	WESLF50K8100	OPERATING INSTRUCTIONS	1	(ONLY TAIWAN)