

Service Manual

Rechargeable Shaver

Model No. **ES-LA92**
ES-LA62

Asia



⚠ WARNING

This service information is designed for experienced repair technicians only and is not designed for use by the general public. It does not contain warnings or cautions to advise non-technical individuals of potential dangers in attempting to service a product. Products powered by electricity should be serviced or repaired only by experienced professional technicians. Any attempt to service or repair the product or products dealt with in this service information by anyone else could result in serious injury or death.

IMPORTANT SAFETY NOTICE

There are special components used in this equipment which are important for safety. These parts are marked by **⚠** in the Schematic Diagrams, Circuit Board Diagrams, Exploded Views and Replacement Parts List. It is essential that these critical parts should be replaced with manufacturer's specified parts to prevent shock, fire or other hazards. Do not modify the original design without permission of manufacturer.

TABLE OF CONTENTS

	PAGE	PAGE
1 Warning -----	2	
2 Specifications -----	2	
3 Troubleshooting Guide -----	3	
4 Disassembly and Assembly Instructions -----	7	
5 Schematic Diagram -----	12	
6 Exploded View and Replacement Parts List -----	13	

1 Warning

Caution:

- Pb free solder has a higher melting point than standard solder; Typically the melting point is 50 - 70°F (30 - 40°C) higher. Please use a soldering iron with temperature control and adjust it to 750 ± 20°F (400 ± 10°C). In case of using high temperature soldering iron, please be careful not to heat too long.
- Pb free solder will tend to splash when heated too high (about 1100°F / 600°C).

2 Specifications

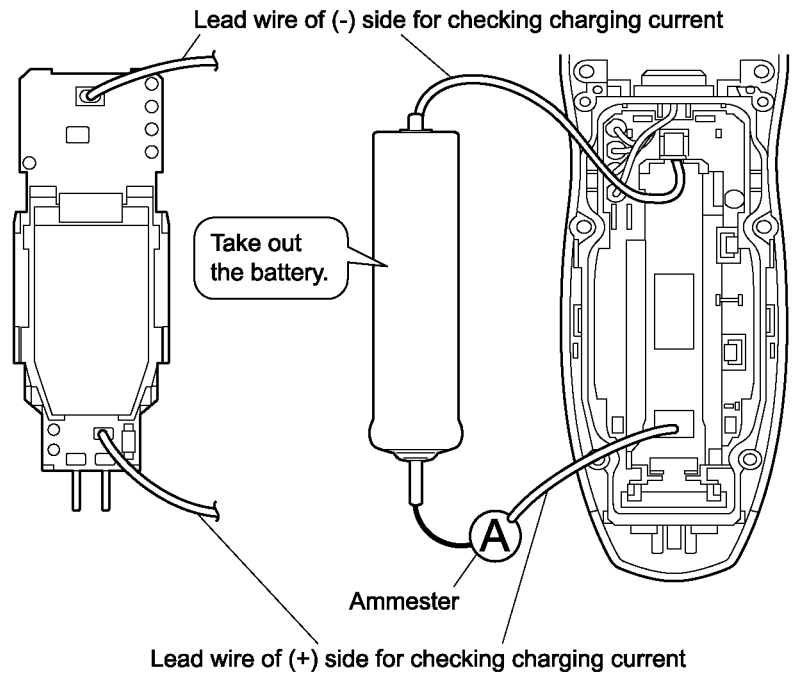
Power source	AC 100-240V, 50-60Hz (Automatic voltage conversion)
Power consumption	Approx. 6W (when charging)
Charging time	1 Hour
Shaves per charge	14 times (3 minutes shave)
Measurement	(H)16.6 x (W)6.8 x (D)5.3 cm
Weight	200g

Supplied accessories	Self-cleaning recharger (ES-LA93 only)
	Soft case
	Oil
	Cleaning brush

3 Troubleshooting Guide

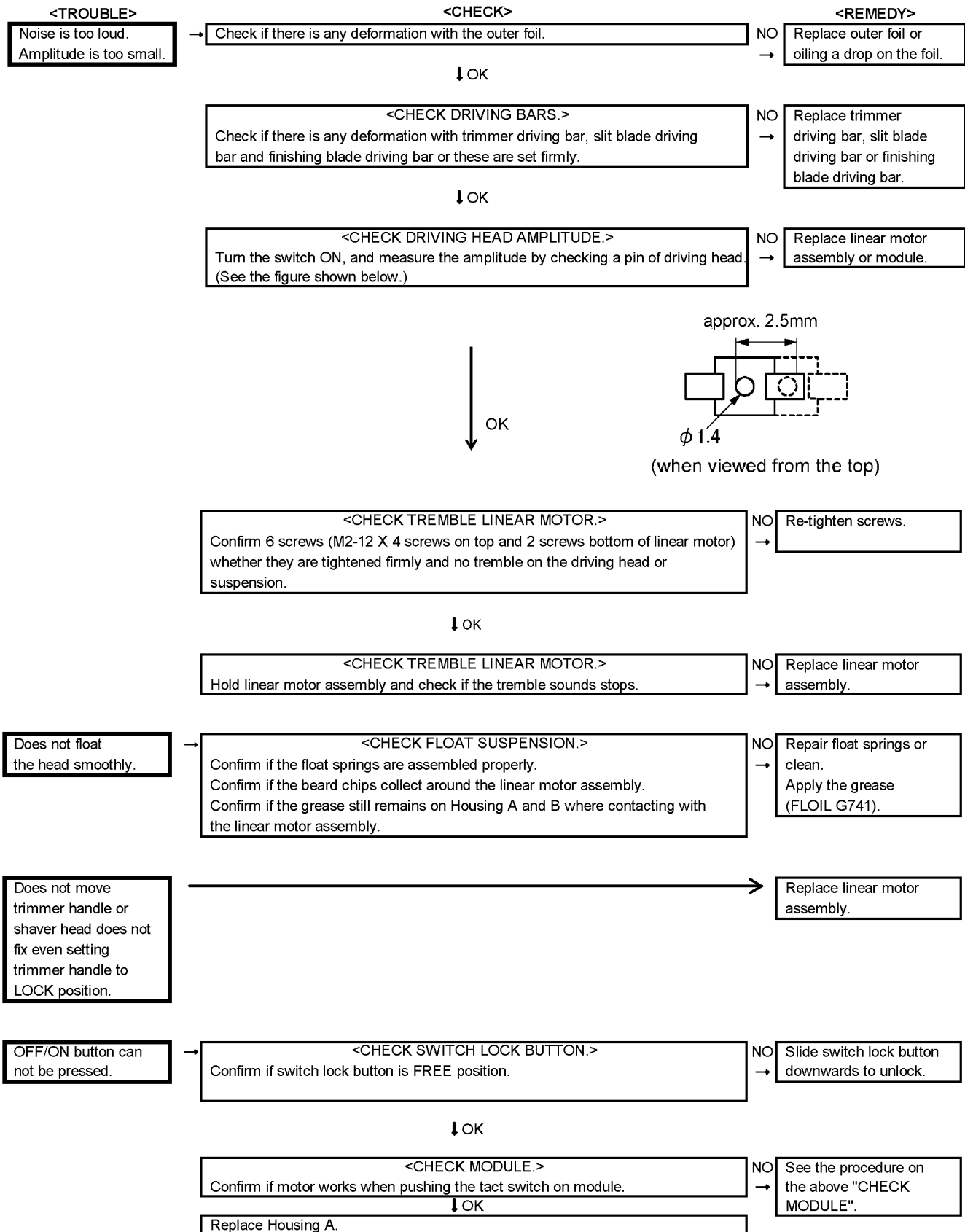
3.1. Main unit and charging adaptor

<TROUBLE>	<CHECK>	<REMEDY>
Motor does not rotate. Does not charge. Functions for a moment and stops.	<CHECK CHARGING ADAPTOR.> Supply the rated voltage to the adaptor. And confirm the continuity. OK if it is approx. DC6V between the terminals of the plug at the no-load operation.	NO → Replace charging adaptor.
↓ OK		
	<CHECK RECHARGEABLE BATTERY.> Okay if the voltage of rechargeable battery is more than approximately 3.6V DC between (+) and (-) terminal.	NO → Replace rechargeable battery.
↓ OK		
	<CHECK MODULE.> Wire the main unit returned from a customer refer with the following figure, and connect the rated voltage to it by the normal adaptor. When switching ON and OFF, check if motor rotates and the indicator of LCD is lid. Discharge the battery completely and check charging current, if it is more than 600-800mA when connecting the charging adaptor.	NO → Check the soldering points. ↓ OK Replace module. ↓ OK Replace linear motor assembly.

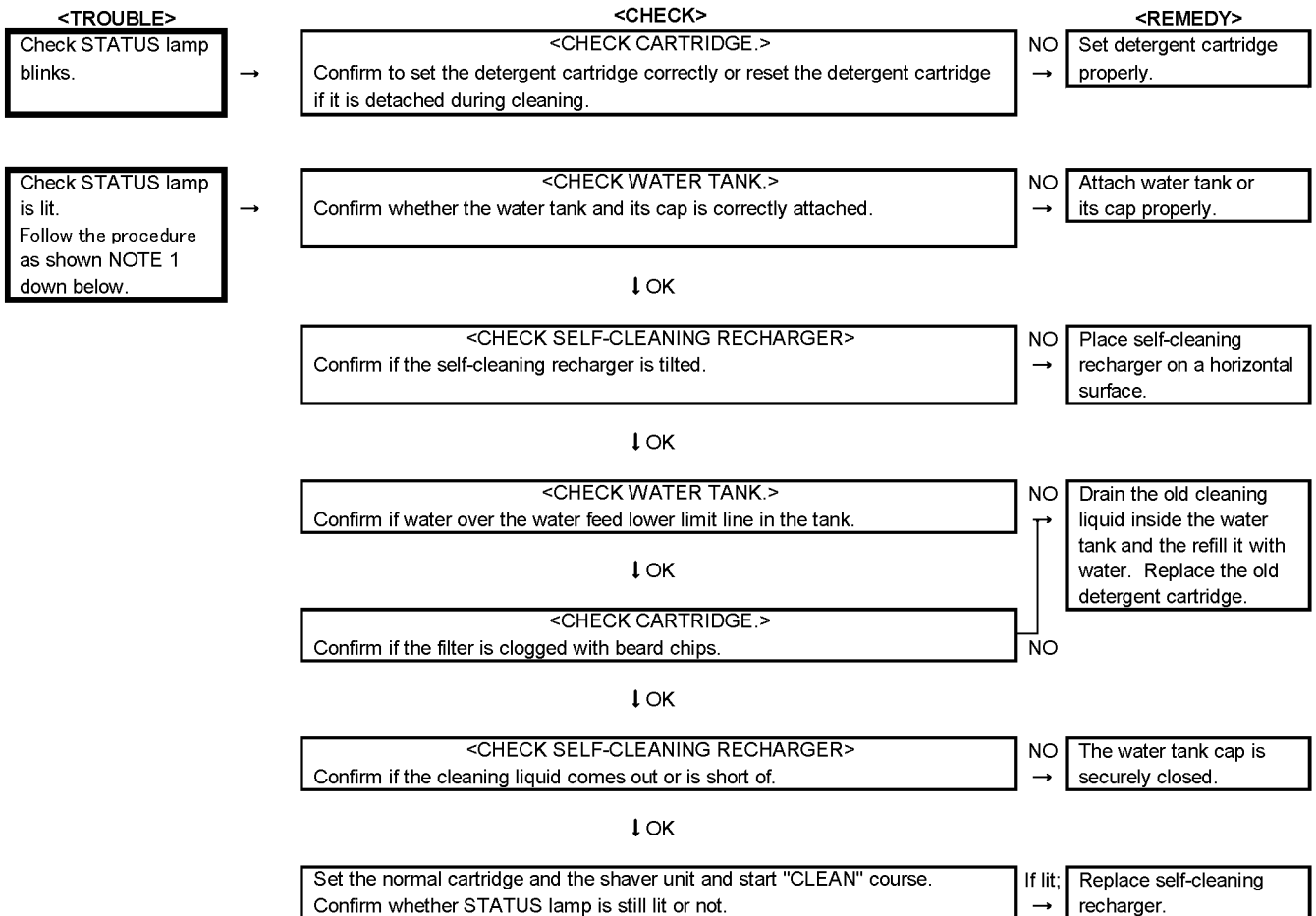


NOTE: Once taking the battery out, the shaver is RESET. The shaver must be charged for several seconds first.

NOTE: Completely discharge and then fully charge before returning the shaver to the customer.



3.2. Self-cleaning recharger (ES-LA92 only)



NOTE 1: Hold down the SELECT button for approximately two seconds to extinguish the STATUS lamp.

The course will be aborted if the power is cut off during cleaning.

(Phenomenon)

The cleaning liquid remains the tray even the course is completed normally.

(Action)

Try to re-operate the course once again to exhaust the cleaning liquid on the cartridge tray.

Too much cleaning liquid remains the tray.

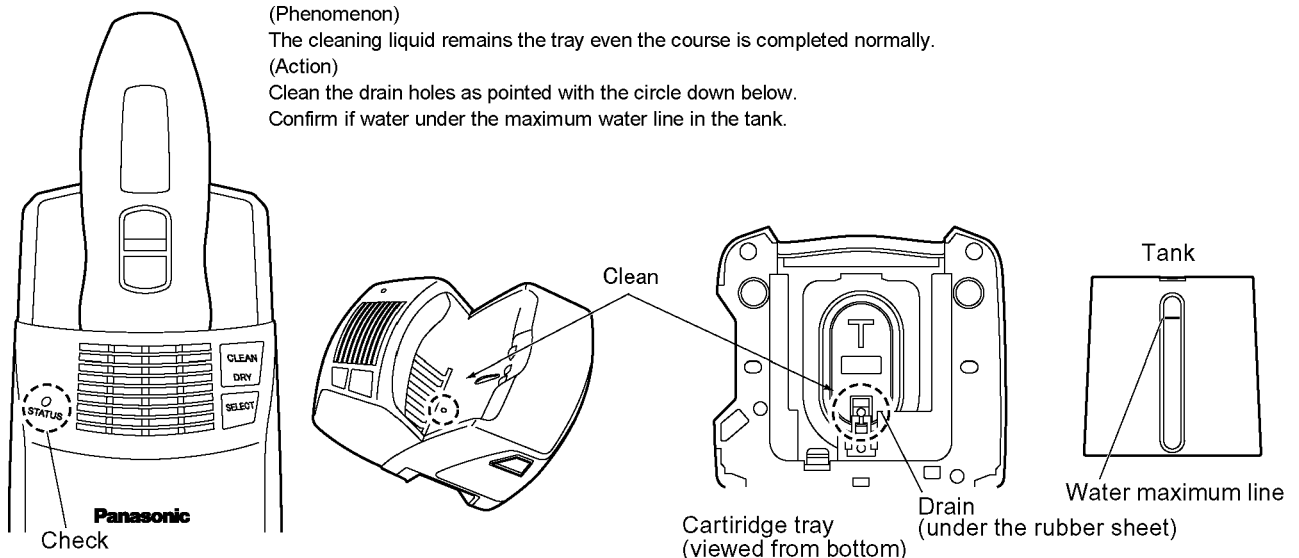
(Phenomenon)

The cleaning liquid remains the tray even the course is completed normally.

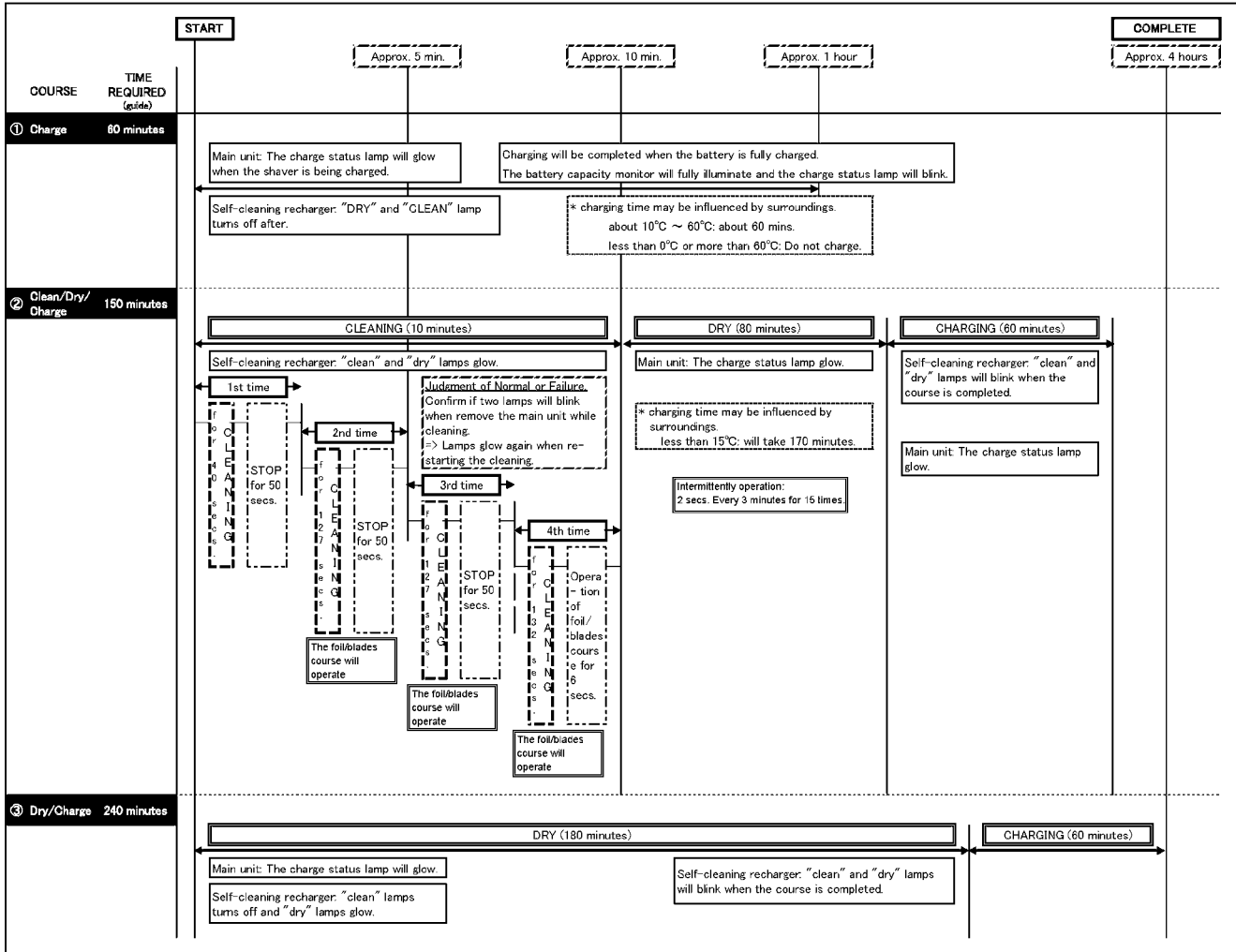
(Action)

Clean the drain holes as pointed with the circle down below.

Confirm if water under the maximum water line in the tank.



3.3. Operation of Self-cleaning Recharger (ES-LA92 only)



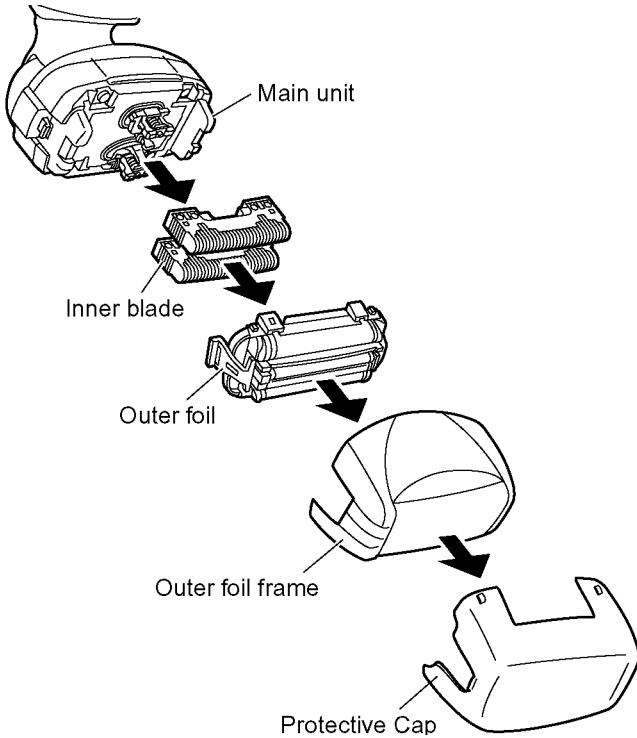
Course	Course selection indications	Time required (guide) [In the low temperature]
① Charge		Charge (0 to 60 min)
② Clean/Dry/Charge		Clean (10 min) ▼ Dry (80 min [170 min]) ▼ Charge (0 to 60 min)
③ Dry/Charge		Dry (180 min) ▼ Charge (0 to 60 min)

4 Disassembly and Assembly Instructions

4.1. Disassembly Instructions

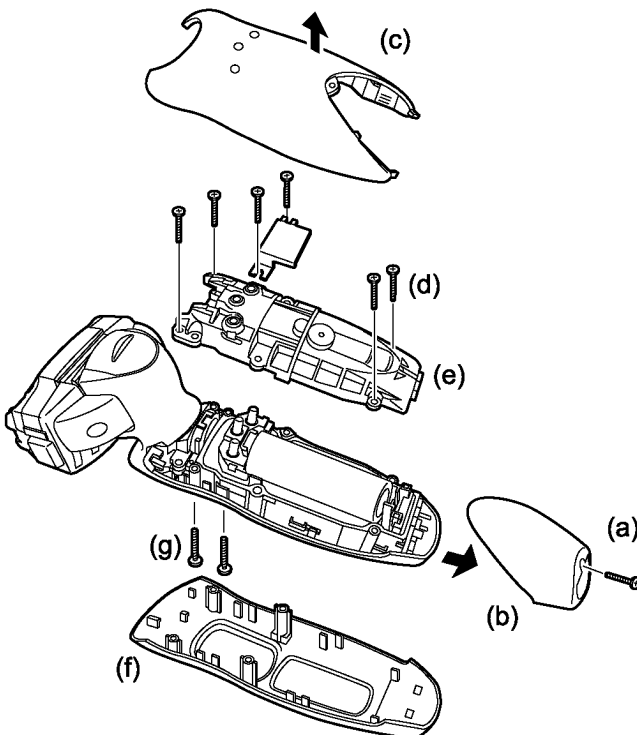
Follow the procedure below to disassemble the main unit.

1. Remove the cap, the outer foil with outer foil frame and the inner blades.

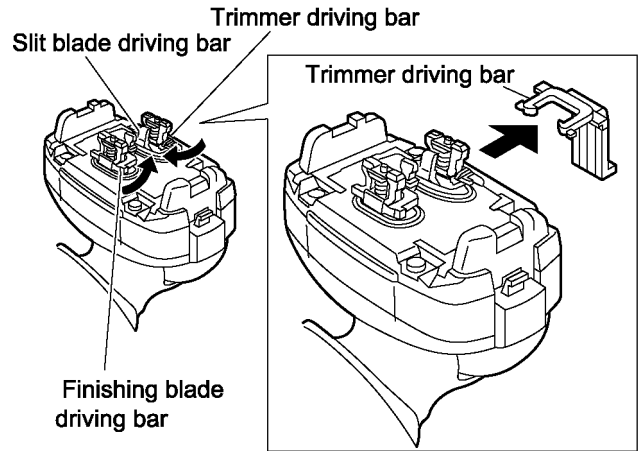


2. How to disassemble the housing A and B.

- a. Loosen a screw.
- b. Remove the bottom cover.
- c. Remove the rear panel.
- d. Loosen 6 screws.
- e. Remove the housing B.
- f. Remove the front panel.
- g. Loosen two screws.



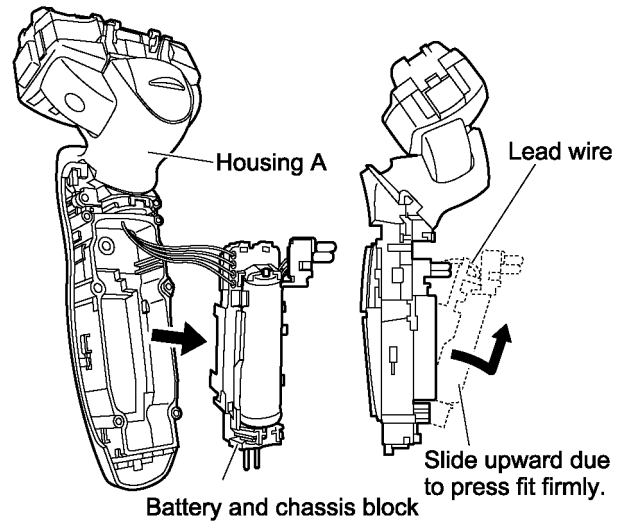
3. To remove the trimmer driving bar or the slit blade driving bar, press bars outward.



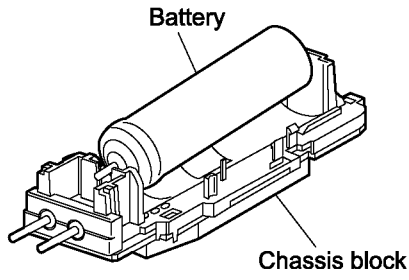
4. Pull up the battery and chassis block from the linear motor side first. Then, slide it upward and take it out from the housing A.

NOTE:

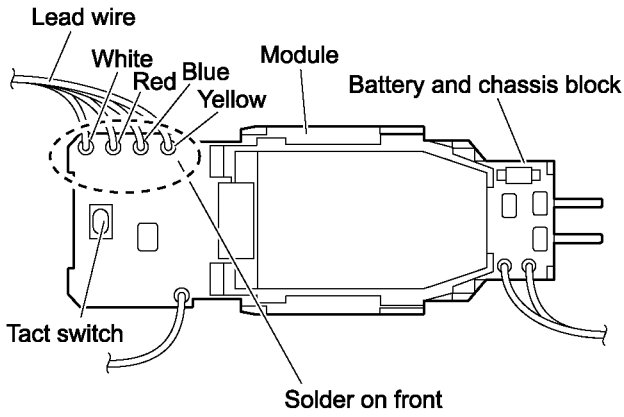
Do not pull the battery and chassis block forcefully due to connecting the linear motor by the lead wires.



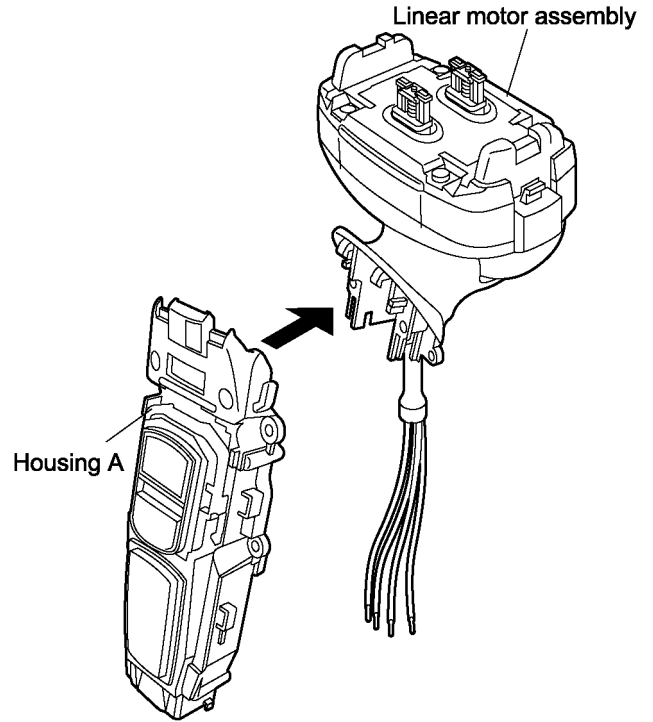
5. Take out the battery from the chassis.



6. Unsolder the lead wires from the module.



7. Move gently the linear motor assembly down and unhook it and remove the float springs from housing A.



4.2. Caution in Assembly

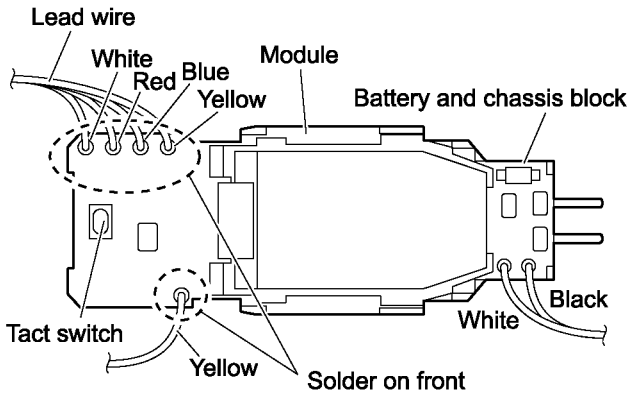
NOTE:

When reassembling, replace the new waterproof seal. Make sure whether there is NO foreign substance sticking around a part covered with waterproof seal.

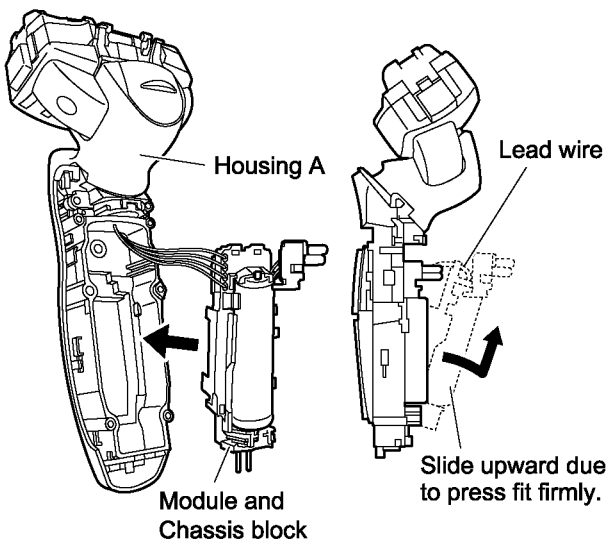
1. Solder the lead wires with the module.

NOTE:

Make sure of the color of lead wires.

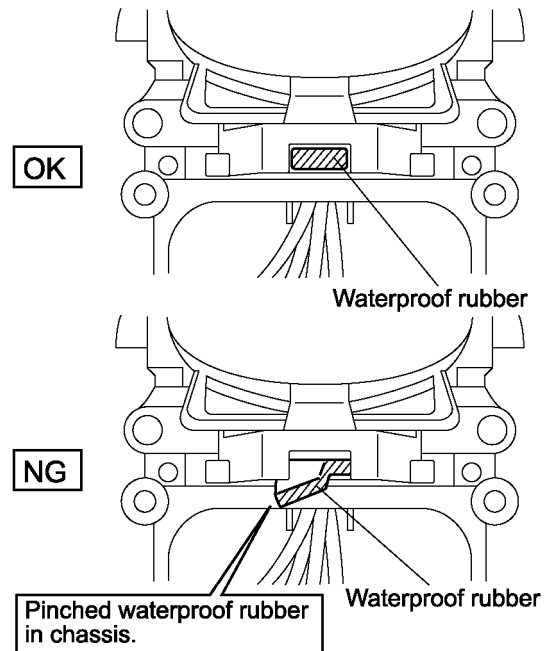


2. Attach the tube holder. Tighten two screws between the linear motor assembly and the housing A.
3. When inserting the module and chassis block into the housing A, confirm if the module does not get any damage or deformation.



NOTE:

Confirm the position of waterproof rubber.



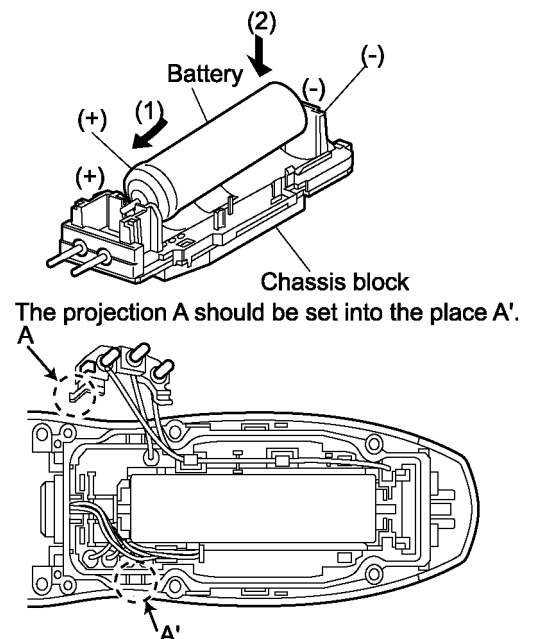
4. Make sure that the lead wires set in position to avoid abnormal noise. Install (+) terminal of battery into the terminal plate at the bottom cover side and firmly set the battery sliding the direction of arrow. Attach (-) terminal of battery.

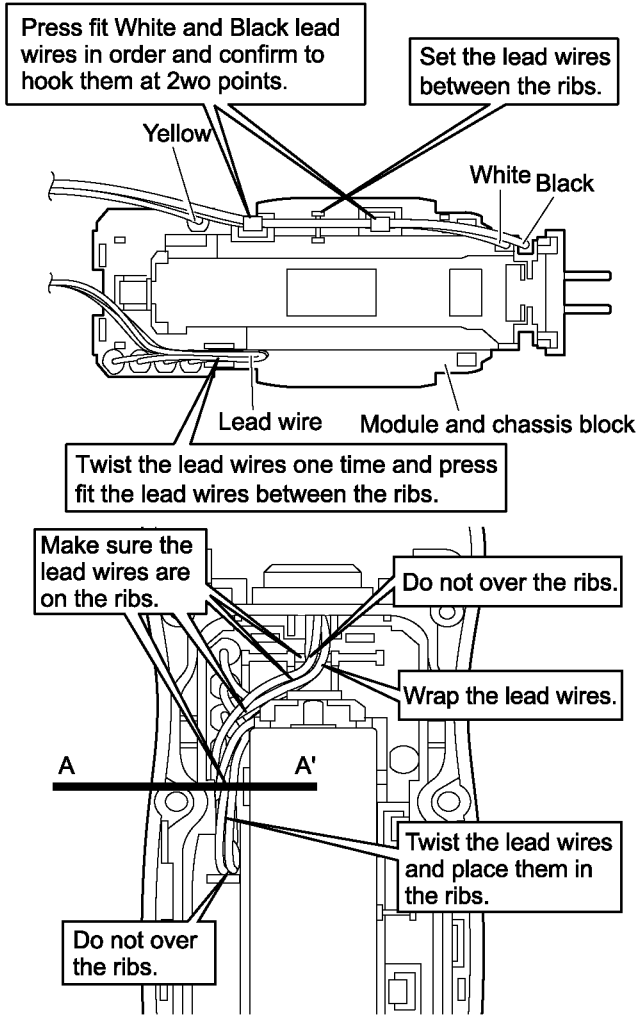
NOTE:

Once taking the battery out, the shaver is RESET. The shaver must be charged for about 10 seconds first.

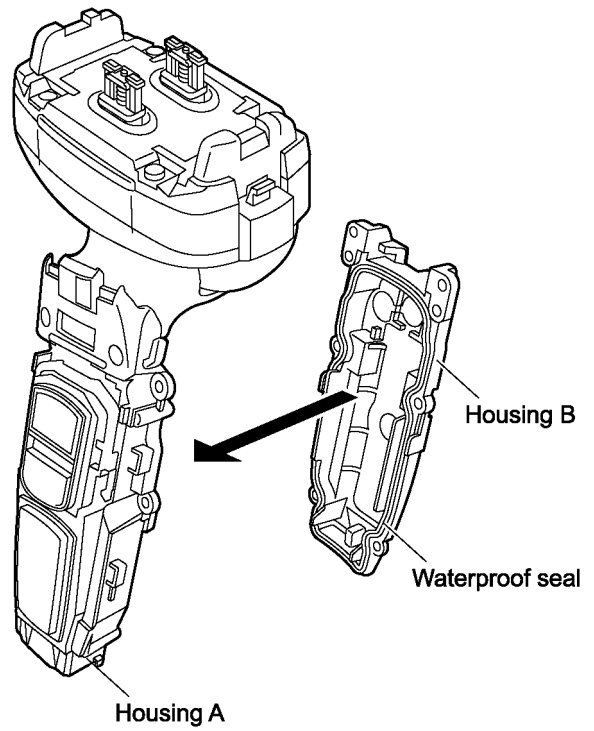
NOTE:

Completely discharge and then fully charge before returning the shaver to the customer.

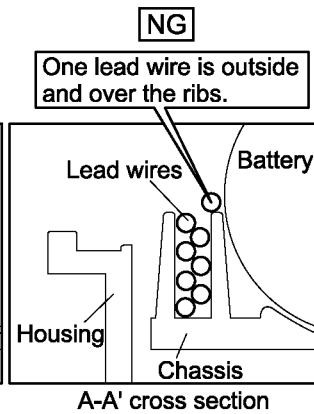
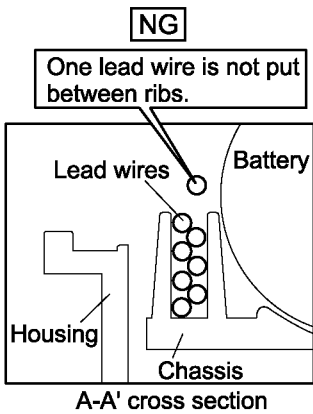
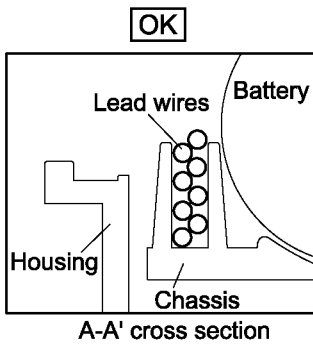
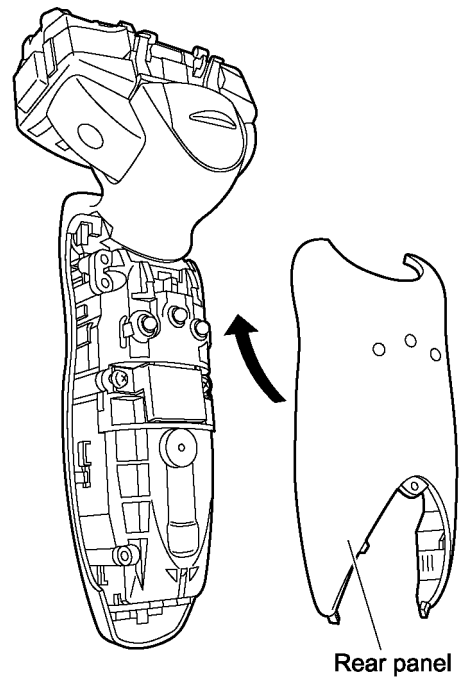




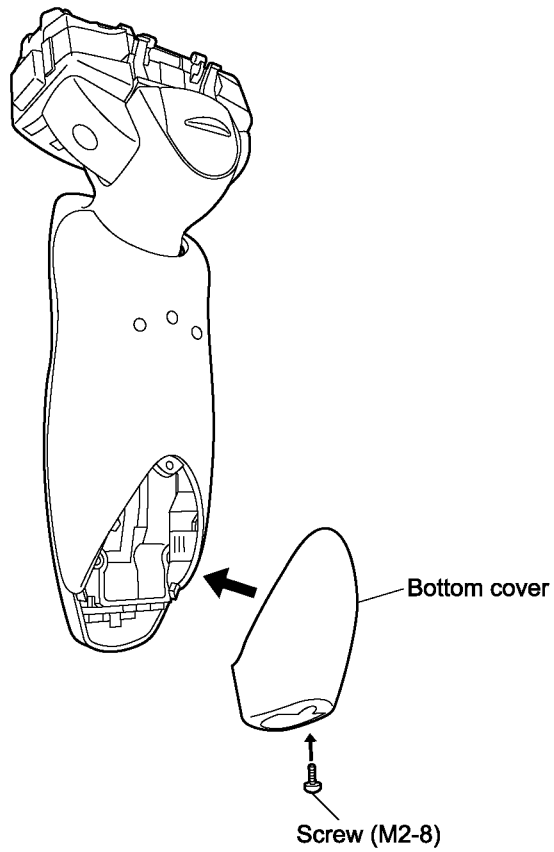
5. When putting the housing A and the housing B together, make sure if the waterproof seal must be fitted properly and no foreign substance sticking around.



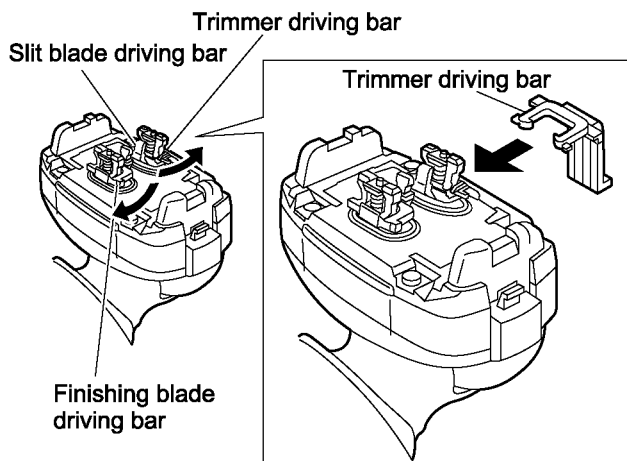
6. Attach the rear panel firmly.



7. Attach the bottom cover and tighten a screw.

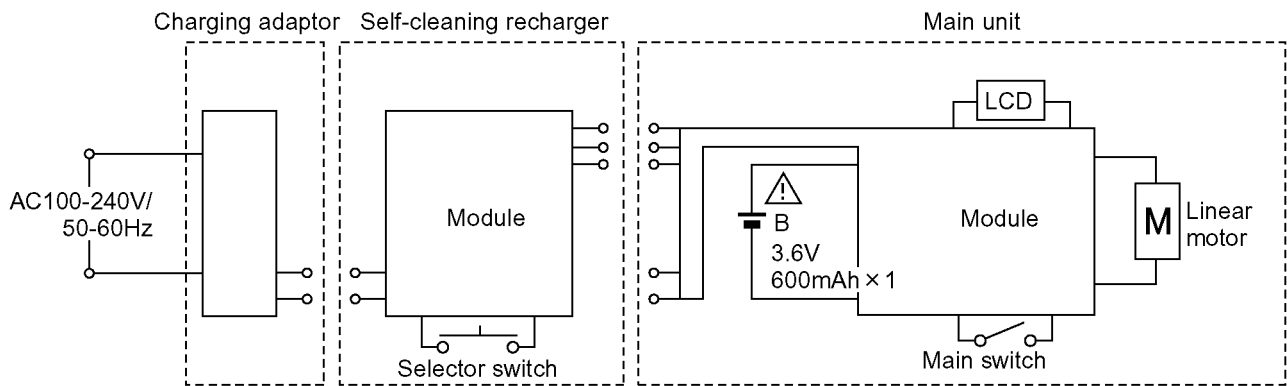


8. Set the trimmer driving bar and the slit blade driving bar.

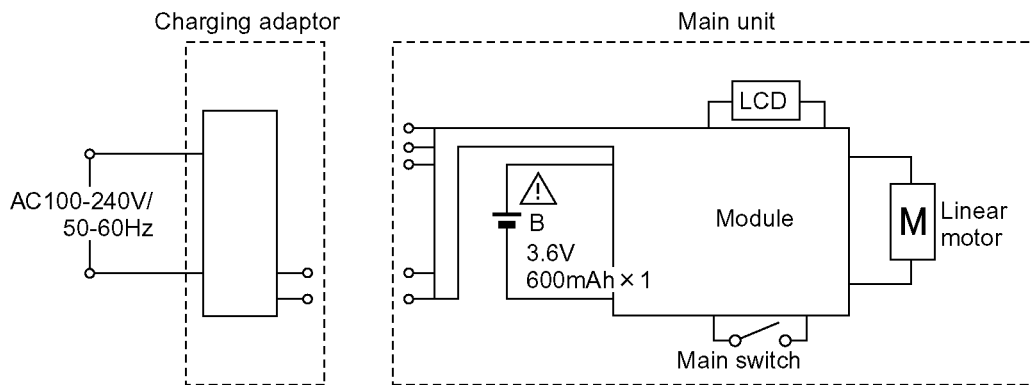


5 Schematic Diagram

5.1. ES-LA92

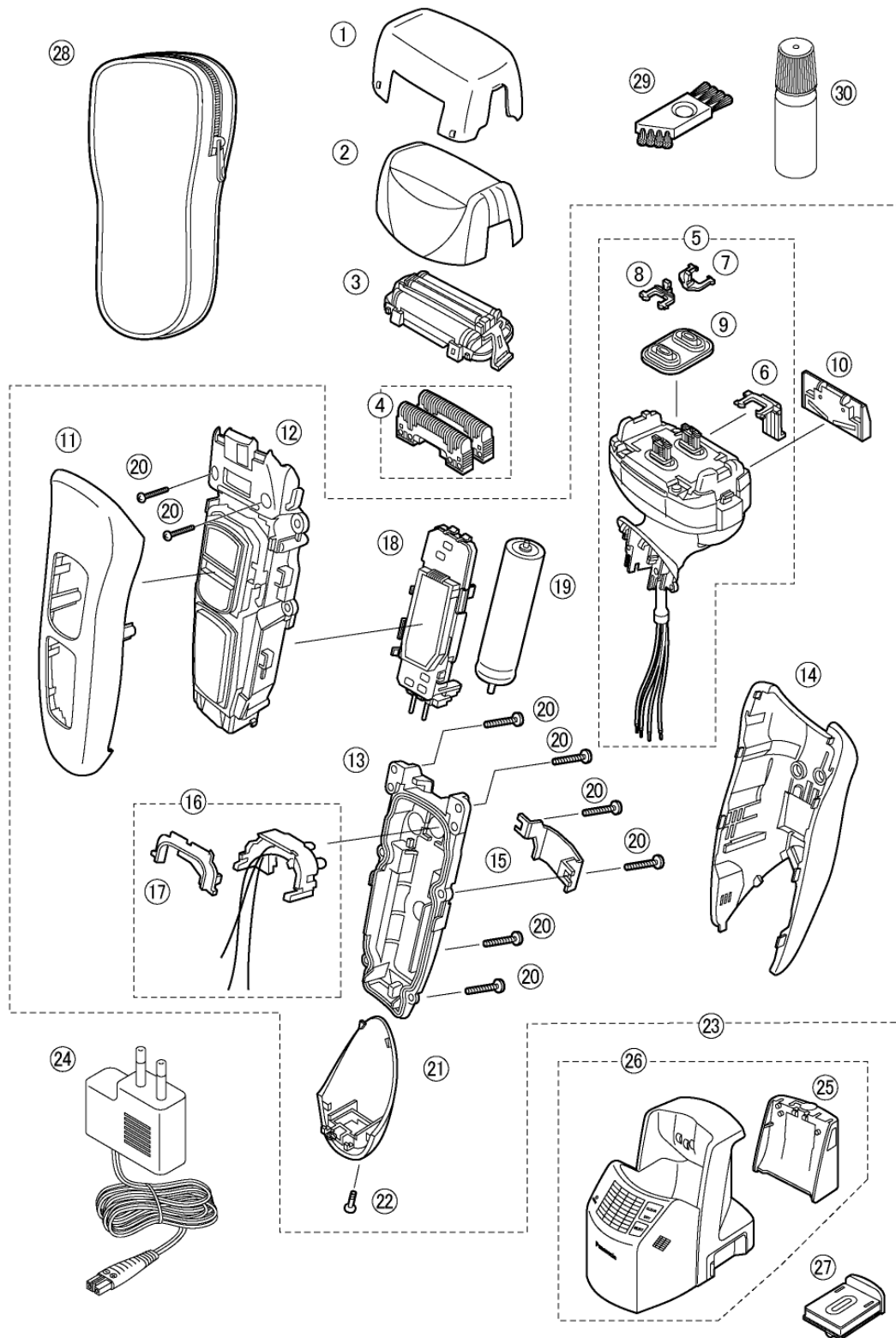


5.2. ES-LA62



6 Exploded View and Replacement Parts List

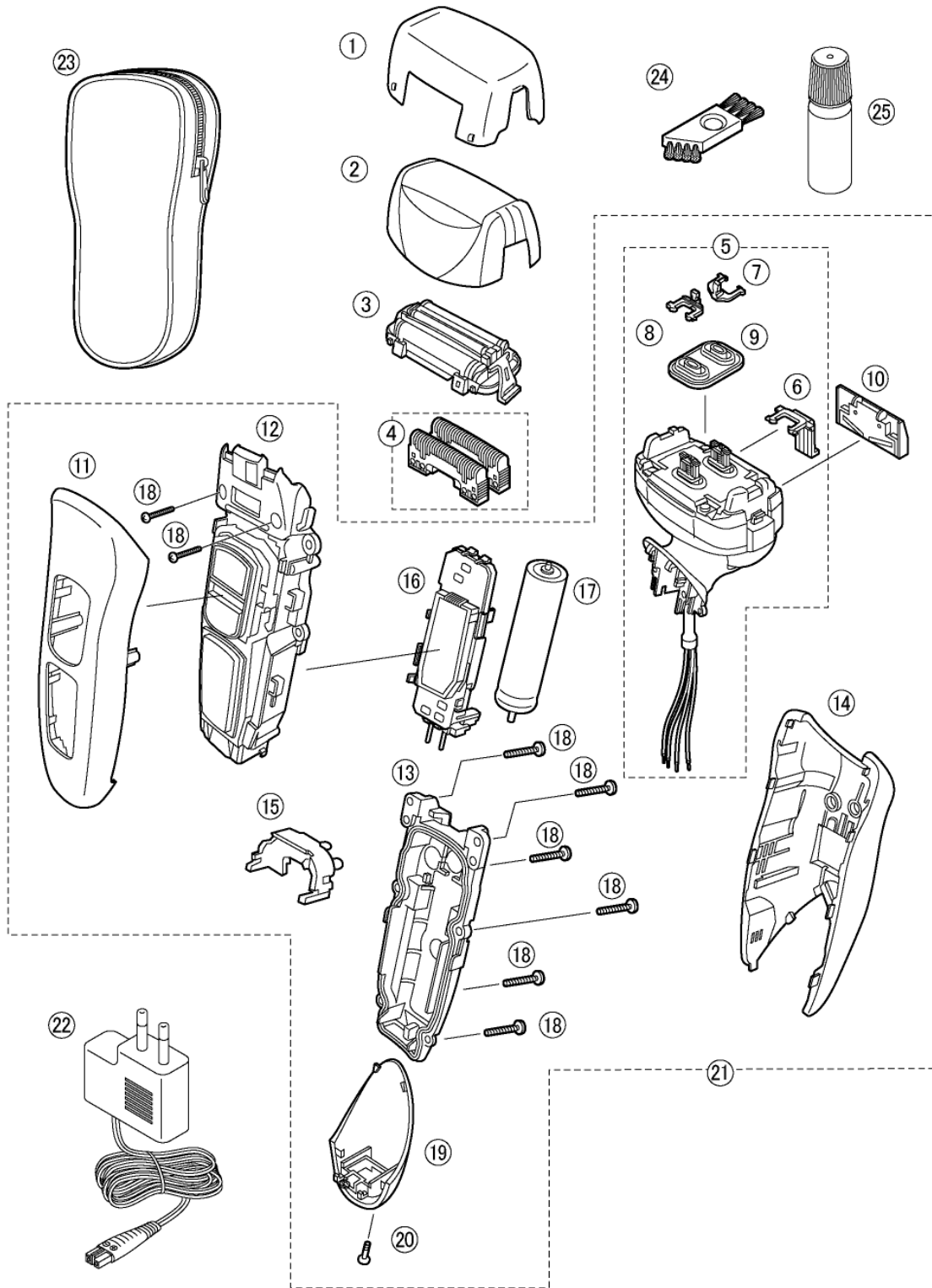
Model No. : ES-LA92 Exploded View



Model No. : ES-LA92 Parts List

Safety	Ref. No.	Part No.	Part Name & Description	Q'ty	Remarks
ES-LA92					
	1	WESLA92X7158	PROTECTIVE CAP	1	
	2	WESLA92K0047	OUTER FOIL FRAME	1	
	3	WES9165E	OUTER FOIL	1	
	4	WES9068E	INNER BLADE	1ST	
	5	WESLA92L1007	LINEAR MOTOR ASSEMBLY	1	
	6	WESLA92L1087	TRIMMER DRIVING BAR	1	
	7	WES8258L1077	SLIT BLADE DRIVING BAR	1	
	8	WES8258L1177	FINISHING BLADE DRIVING BAR	1	
	9	WES8258L0327	WATERPROOF RUBBER	1	
	10	WESLA92K1507	TRIMMER	1	
	11	WESLA92K3858	FRONT PANEL	1	
	12	WESLA92K3057	HOUSING A	1	
	13	WESLA92H3067	HOUSING B	1	
	14	WESLA92K3367	REAR PANEL	1	
	15	WESLA92L0487	CONNECTING PLATE	1	
	16	WES8258L0497	TERMINAL BASE	1	
	17	WES8238H0527	TERMINAL COVER	1	
	18	WESLA92L2127	MODULE	1	
	19	WES8176L2509	RECHARGEABLE BATTERY	1	(LM-ION TYPE)
	20	WES8176L6007	P TIGHT SCREW	8	(M2-12)
	21	WESLA92K3128	BOTTOM COVER	1	
	21	WESLA92K3129	BOTTOM COVER	1	(Only for Taiwan)
	22	WES8176L6057	TAPPING SCREW	1	(M2-8)
	23	WESLA92K3038	BODY BLOCK	1	
	23	WESLA92K3039	BODY BLOCK	1	(Only for Taiwan)
	24	WESLA90K7674	CHARGING ADAPTOR	1	(B-2 PLUG)
	24	WESGA20K7662	CHARGING ADAPTOR	1	(A-2 PLUG)
	25	WESLA92K7358	WATER TANK	1	
	26	WESLA93K4219	SELF-CLEANING RECHARGER	1	
	26	WESLA92K4219	SELF-CLEANING RECHARGER	1	(Only for Taiwan)
	27	WES035K7778	DETERGENT CARTRIDGE	1	(3PCS/BOX)
	28	WESLA92K3747	SOFT CASE	1	
	29	WES8093H7057	CLEANING BRUSH	1	
	30	WES8196X7918	OIL	1	
	-	WESLA92K8008	INDIVIDUAL BOX	1	
	-	WESLA92K8009	INDIVIDUAL BOX	1	(Only for Taiwan)
	-	WESLA92K8108	OPERATING INSTRUCTIONS	1	
	-	WESLA92K8109	OPERATING INSTRUCTIONS	1	(Only for Taiwan)

Model No. : ES-LA62 Exploded View



Model No. : ES-LA62 Parts List

Safety	Ref. No.	Part No.	Part Name & Description	Q'ty	Remarks
ES-LA62					
	1	WESLA92X7158	PROTECTIVE CAP	1	
	2	WESLA82S0047	OUTER FOIL FRAME	1	
	3	WES9165E	OUTER FOIL	1	
	4	WES9068E	INNER BLADE	1ST	
	5	WESLA63L1008	LINEAR MOTOR ASSEMBLY	1	
	6	WESLA92L1087	TRIMMER DRIVING BAR	1	
	7	WES8258L1077	SLIT BLADE DRIVING BAR	1	
	8	WES8258L1177	FINISHING BLADE DRIVING BAR	1	
	9	WES8258L0327	WATERPROOF RUBBER	1	
	10	WESLA63H1508	TRIMMER	1	
	11	WESLA62S3858	FRONT PANEL	1	
	12	WESLA82K3057	HOUSING A	1	
	13	WESLA92H3067	HOUSING B	1	
	14	WESLA63H3368	REAR PANEL	1	
	15	WESLA63L0498	REAR COVER	1	
	16	WESLA62L2127	MODULE	1	
	17	WES8176L2509	RECHARGEABLE BATTERY	1	(LM-ION TYPE)
	18	WES8176L6007	P TIGHT SCREW	8	(M2-12)
	19	WESLA62S3128	BOTTOM COVER	1	
	19	WESLA62S3129	BOTTOM COVER	1	(Only for Taiwan)
	20	WES8176L6057	TAPPING SCREW	1	(M2-8)
	21	WESLA62S3038	BODY BLOCK	1	
	21	WESLA62S3039	BODY BLOCK	1	(Only for Taiwan)
	22	WESLA90K7674	CHARGING ADAPTOR	1	(B-2 PLUG)
	22	WESGA20K7662	CHARGING ADAPTOR	1	(A-2 PLUG)
	23	WESLA92K3747	SOFT CASE	1	
	24	WES8093H7057	CLEANING BRUSH	1	
	25	WES8196X7918	OIL	1	
	-	WESLA62S8008	INDIVIDUAL BOX	1	
	-	WESLA62S8009	INDIVIDUAL BOX	1	(Only for Taiwan)
	-	WESLA62S8108	OPERATING INSTRUCTIONS	1	
	-	WESLS62S8109	OPERATING INSTRUCTIONS	1	(Only for Taiwan)