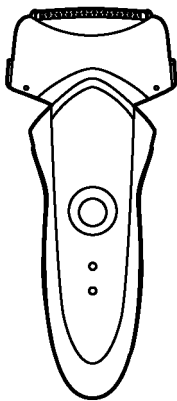


Service Manual

AC/Rechargeable Shaver

Model No. **ES-GA20**

Asia



Please file and use this manual together with the service manual for Model No. ES8113, Order No. SD0708A46CE.

⚠ WARNING

This service information is designed for experienced repair technicians only and is not designed for use by the general public. It does not contain warnings or cautions to advise non-technical individuals of potential dangers in attempting to service a product. Products powered by electricity should be serviced or repaired only by experienced professional technicians. Any attempt to service or repair the product or products dealt with in this service information by anyone else could result in serious injury or death.

IMPORTANT SAFETY NOTICE

There are special components used in this equipment which are important for safety. These parts are marked by ⚠ in the Schematic Diagrams, Circuit Board Diagrams, Exploded Views and Replacement Parts List. It is essential that these critical parts should be replaced with manufacturer's specified parts to prevent shock, fire or other hazards. Do not modify the original design without permission of manufacturer.

TABLE OF CONTENTS

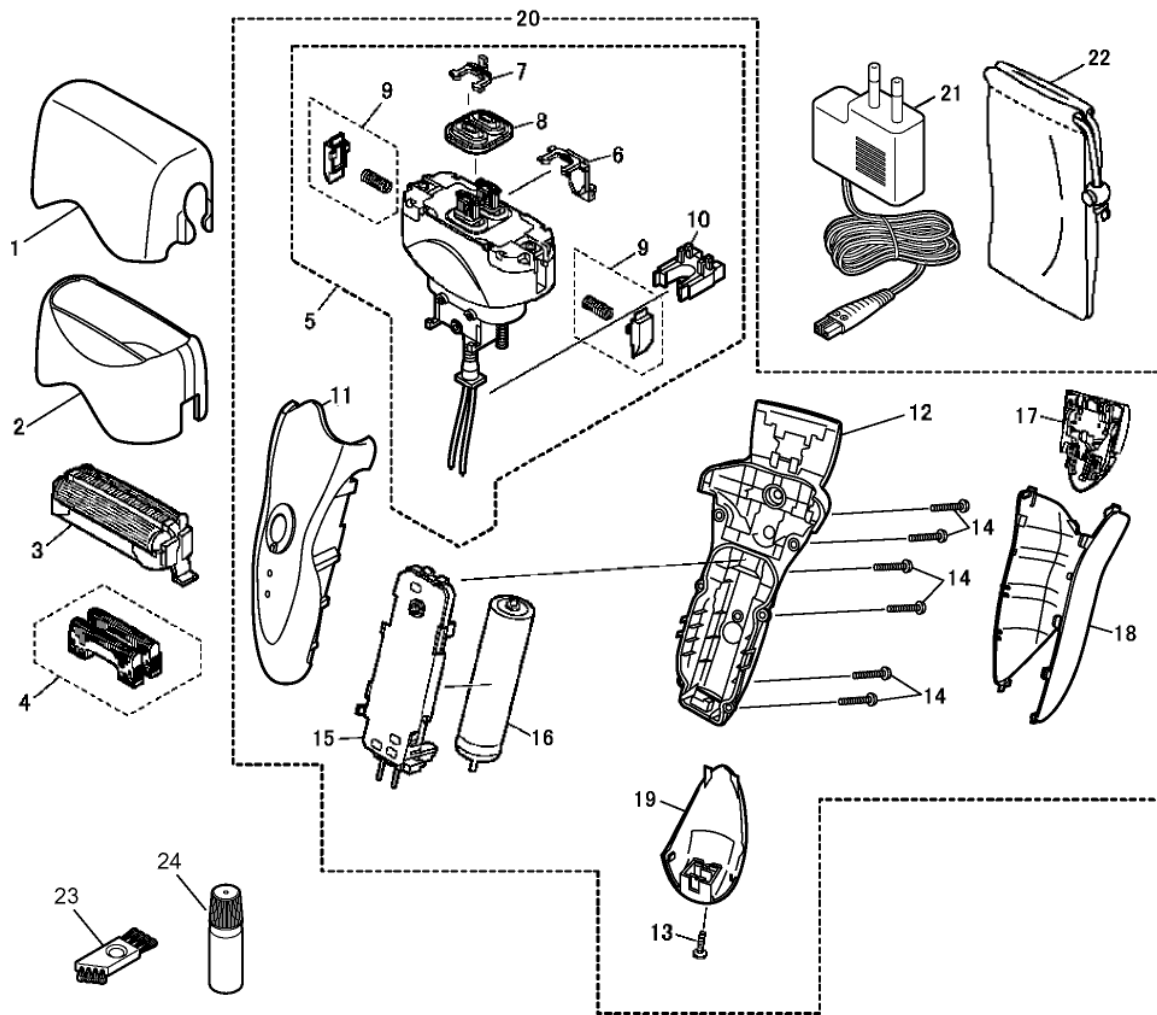
	PAGE		PAGE
1 Warning.....	2		
2 Specifications	2		
3 Disassembly and Assembly Instructions	3		
4 Exploded View and Replacement Parts List	4		



© Panasonic Electric Works Co., Ltd. 2008.
All rights reserved. Unauthorized copying and distribution is a violation of law.

4 Exploded View and Replacement Parts List

Model No. : ES-GA20 Exploded View



Model No. : ES-GA20 Parts List

Safety	Ref. No.	Part No.	Part Name & Description	Q'ty	Remarks
	1	WESGA20X7158	PROTECTIVE CAP	1	
	2	WESGA20K0049	OUTER FOIL FRAME	1	(for ES-GA20S)
	2	WESGA20W0048	OUTER FOIL FRAME	1	(for ES-GA20W)
	3	WES9087E	OUTER FOIL	1	
	4	WES9068E	INNER BLADE	1ST	
	5	WESGA20K1008	LINEAR MOTOR ASSEMBLY	1	(for ES-GA20S)
	5	WESGA20W1008	LINEAR MOTOR ASSEMBLY	1	(for ES-GA20W)
	6	WES8119L1087	TRIMMER DRIVING BAR	1	
	7	WES8176L1077	SLIT BLADE DRIVING BAR	1	
	8	WES8196L0328	WATERPROOF RUBBER	1	
	9	WESGA20K3268	FOIL RELEASE BUTTON	2	(2PCS/PK)
	10	WESGA20L0538	TUBE HOLDER	1	
	11	WESGA20S3058	HOUSING A	1	(for ES-GA20S)
	11	WESGA20W3058	HOUSING A	1	(for ES-GA20W)
	12	WESGA20K3068	HOUSING B	1	(for ES-GA20S)
	12	WESGA20W3068	HOUSING B	1	(for ES-GA20W)
	13	WES8176L6057	TAPPING SCREW	1	(M2-8)
	14	WES8176L6007	P TIGHT SCREW	6	(M2-12)
	15	WESGA20L2128	MODULE	1	
	16	WES8176L2508	RECHARGEABLE BATTERY	1	(LM-ION TYPE)
	17	WES8119K1507	TRIMMER	1	(for ES-GA20S)
	17	WESGA20W1508	TRIMMER	1	(for ES-GA20W)
	18	WESGA20K3368	REAR PANEL	1	(for ES-GA20S)
	18	WESGA20W3368	REAR PANEL	1	(for ES-GA20W)
	19	WESGA20K3129	BOTTOM COVER	1	(for ES-GA20S)
	19	WESGA20W3128	BOTTOM COVER	1	(for ES-GA20W)
	20	WESGA20S3038	BODY BLOCK	1	(for ES-GA20S)
	20	WESGA20W3038	BODY BLOCK	1	(for ES-GA20W)
	21	WESLA90K7674	CHARGING ADAPTOR	1	(B-2 PLUG)
	21	WESGA20K7671	CHARGING ADAPTOR	1	(KS-PLUG)
	22	WES8016K7007	SOFT CASE	1	
	23	WES8093H7057	CLEANING BRUSH	1	
	24	WES8196X7918	OIL	1	
	-	WESGA20S8008	INDIVIDUAL BOX	1	(for ES-GA20S)
	-	WESGA20W8008	INDIVIDUAL BOX	1	(for ES-GA20W)
	-	WESGA20W8009	INDIVIDUAL BOX	1	(for ES-GA20W KOREA only)
	-	WESGA20W8108	OPERATING INSTRUCTIONS	1	(for KOREA only)
	-	WESGA20S8108	OPERATING INSTRUCTIONS	1	