

ORDER NO. SD0406A43A3

# Service Manual

AC/Rechargeable Shaver



ES4036-A3 Please file and use this manual together with the service manual for Model No. ES4033/ES4035, Order No. SD0406A47C3.



## SPECIFICATIONS

Power source	AC 100-240V, 50-60Hz (Automatic voltage conversion)
Motor voltage	1.2V DC
Charging time	1 hours
Shavers per charge	10 times (3 minutes shave)
Measurement (H)14.6 x (W)5.7 x (D)4.9 cm (H)14.6 x (W)5.7 x (D)4.9 cm	
Weight	155g
Supplied accessories	Soft case Cleaning brush

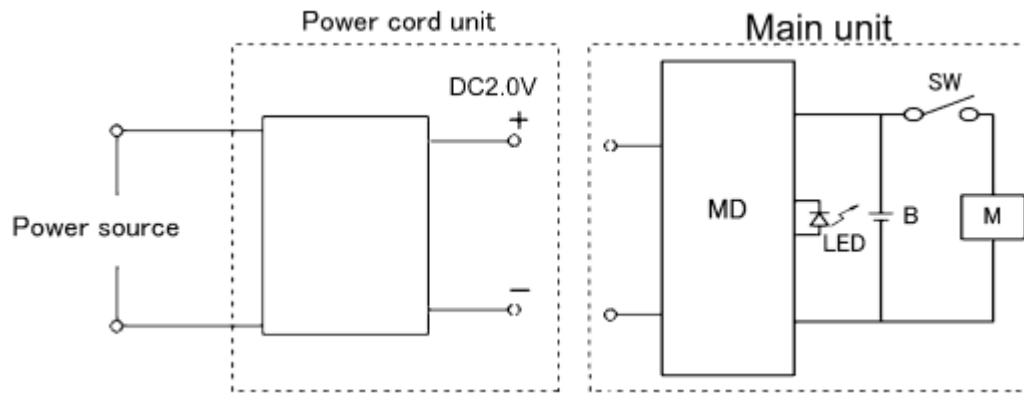
© 2004 Matsushita Electric Works, Ltd. All rights reserved. Unauthorized copying and distribution is a violation of law.

### **WARNING**

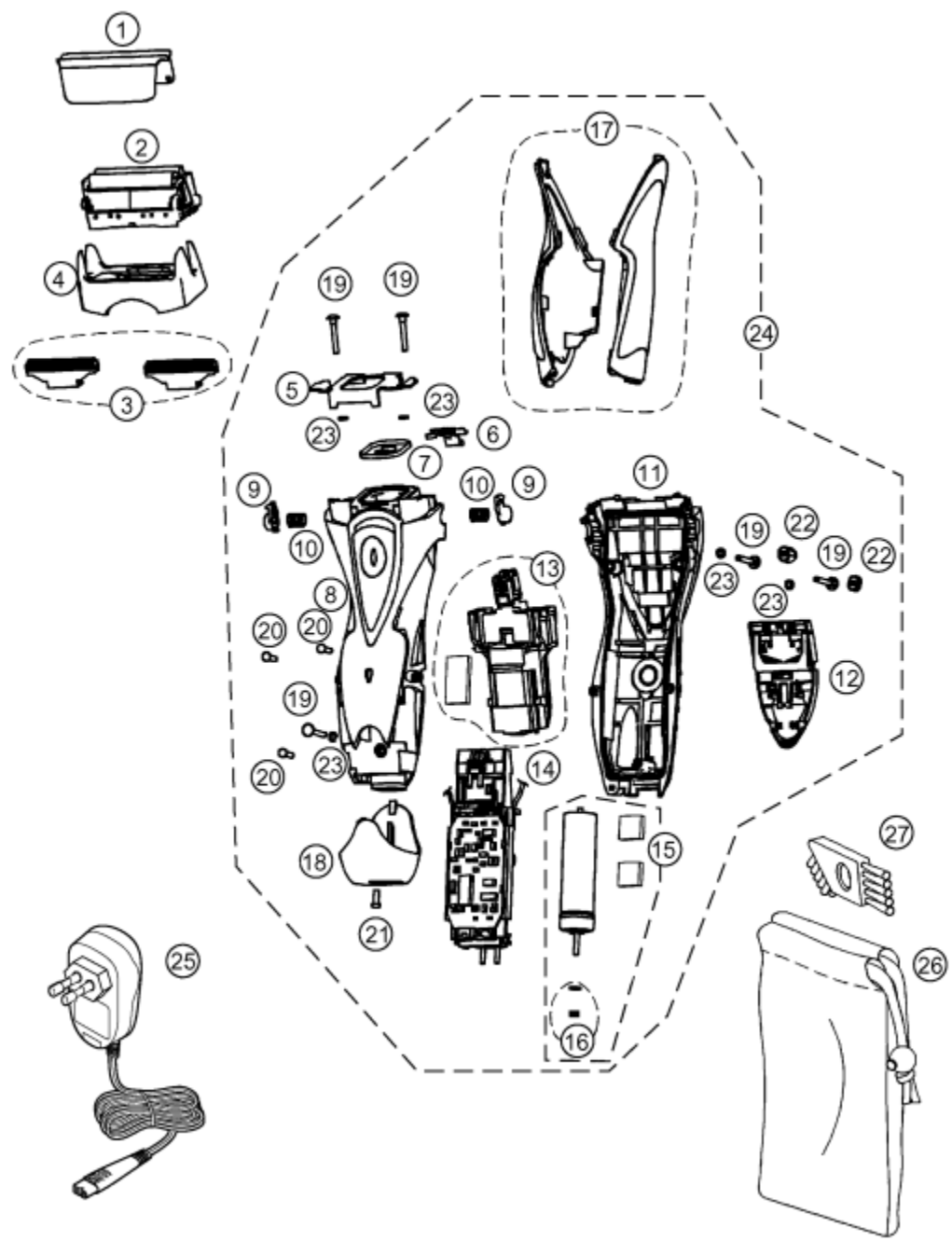
This service information is designed for experienced repair technicians only and is not designed for use by the general public. It does not contain warnings or cautions to advise non-technical individuals of potential dangers in attempting to service a product. Products powered by electricity should be serviced or repaired only by experienced professional technicians. Any attempt to service or repair the product or products dealt with in this service information by anyone else could result in serious injury or death.

# Panasonic

## 1 SCHEMATIC DIAGRAM



2 EXPLODED VIEW



### 3 REPLACEMENT PARTS LIST NOTE:

\*A=available as an optional accessory

\*B=only available as set

\*C=available individually

Ref. No.	Parts No.	Parts Name & Descriptions	Remarks	Per Unit
1	WES4025X7158	PROTECTIVE CAP		(BG) 1
2	WES9837EP	OUTER FOIL		1
3	WES9850EP	INNER BLADE	*B (2PCS/PK)	2
4	WES4035S0047	FOIL FRAME		(BG) 1
5	WES4035X0207	RETAINING PLATE		(BG) 1
6	WES4035K1087	TRIMMER DRIVING BAR		(BG) 1
7	WES725L0327	WATERPROOF RUBBER		1
8	WES4036S3058	HOUSING A		(BG) 1
9	WES4036A3268	LOCK RELEASE BUTTON	*B (2PCS/PK)	(BG) 2
10	WES4035S0187	SPRING FOR RELEASE BUTTON	*B (2PCS/PK)	(BG) 2
11	WES4035S3067	HOUSING B		(BG) 1
12	WES4036A1508	TRIMMER		(BG) 1
13	WES4035L1007	MOTOR ASSEMBLY		(BG) 1
14	WES4036L2128	CHASSIS ASSEMBLY		(BG) 1
15	WES7026L2508	RECHARGEABLE BATTERY	Ni-Mh type	(BG) 1
16	WES7025L0977	WASHER W/O-RING SET		(BG) 1
17	WES4036A0048	SIDE PANEL		(BG) 1
18	WES4036A3128	BOTTOM COVER		(BG) 1
18	WES4036A3129	BOTTOM COVER	only for Hong Kong	(BG) 1
19	WES7025L9707	SCREW	*C K2-15	(BG) 5
20	WES626A6057	TAPPING SCREW	*C K2-8	(BG) 3
21	WES4033L9008	TAPPING SCREW	K2-6	(BG) 1
22	WES7025H3767	SCREW CAP	*B (2PCS/PK)	(BG) 2
23	WES4035L0967	O-RING	*B (5PCS/PK)	(BG) 5
24	WES4036S3038	BODY BLOCK		(BG) 1
24	WES4036S3039	BODY BLOCK	only for Hong Kong	(BG) 1
25	WES4036K7662	CHARGING ADAPTOR	A-2 PLUG	(BG) 1
25	WES4036K7663	CHARGING ADAPTOR	C-2 PLUG	(BG) 1
25	WES4036K7671	CHARGING ADAPTOR	KOREAN PLUG	(BG) 1
25	WES4036K7674	CHARGING ADAPTOR	C-2 PLUG (only for Hong Kong)	(BG) 1
26	WES7025K7007	SOFT CASE		(BG) 1
27	WES861B7057	CLEANING BRUSH		1
-	WES4036S8008	INDIVIDUAL BOX		(BG) 1
-	WES4036S8009	INDIVIDUAL BOX	only for Hong Kong	(BG) 1
-	WES4036S8000	INDIVIDUAL BOX	only for Taiwan	(BG) 1
-	WES4036S8108	OPERATING INSTRUCTIONS		(BG) 1