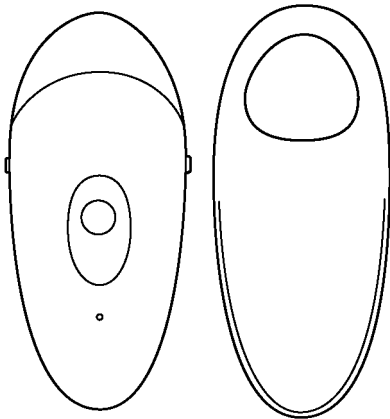


Service Manual

Epilator

Model No. **ES2065**
ES2067

North America



WARNING

This service information is designed for experienced repair technicians only and is not designed for use by the general public. It does not contain warnings or cautions to advise non-technical individuals of potential dangers in attempting to service a product. Products powered by electricity should be serviced or repaired only by experienced professional technicians. Any attempt to service or repair the product or products dealt with in this service information by anyone else could result in serious injury or death.

IMPORTANT SAFETY NOTICE


There are special components used in this equipment which are important for safety. These parts are marked by  in the Schematic Diagrams, Circuit Board Diagrams, Exploded Views and Replacement Parts List. It is essential that these critical parts should be replaced with manufacturer's specified parts to prevent shock, fire or other hazards. Do not modify the original design without permission of manufacturer.

TABLE OF CONTENTS

	PAGE	PAGE
1 Warning-----	2	
2 Specifications-----	2	
3 Schematic Diagram-----	2	
4 Exploded View and Replacement Parts List-----	3	

1 Warning

Caution:

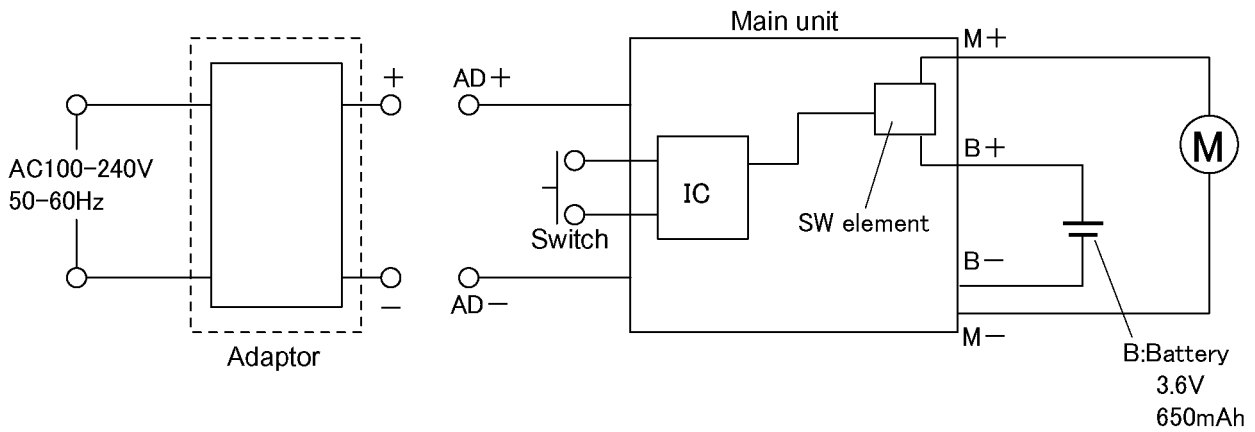
- Pb free solder has a higher melting point than standard solder; Typically the melting point is 50 - 70°F (30 - 40°C) higher. Please use a soldering iron with temperature control and adjust it to 750 ± 20°F (400 ± 10°C). In case of using high temperature soldering iron, please be careful not to heat too long.
- Pb free solder will tend to splash when heated too high (about 1100°F / 600°C).

2 Specifications

Power source	100-240V AC, 50-60Hz (Automatic voltage conversion)
Charging time	1 hour
Power consumption	Approx. 5W (when charging)
Weight	Approx. 170g with the shaver head

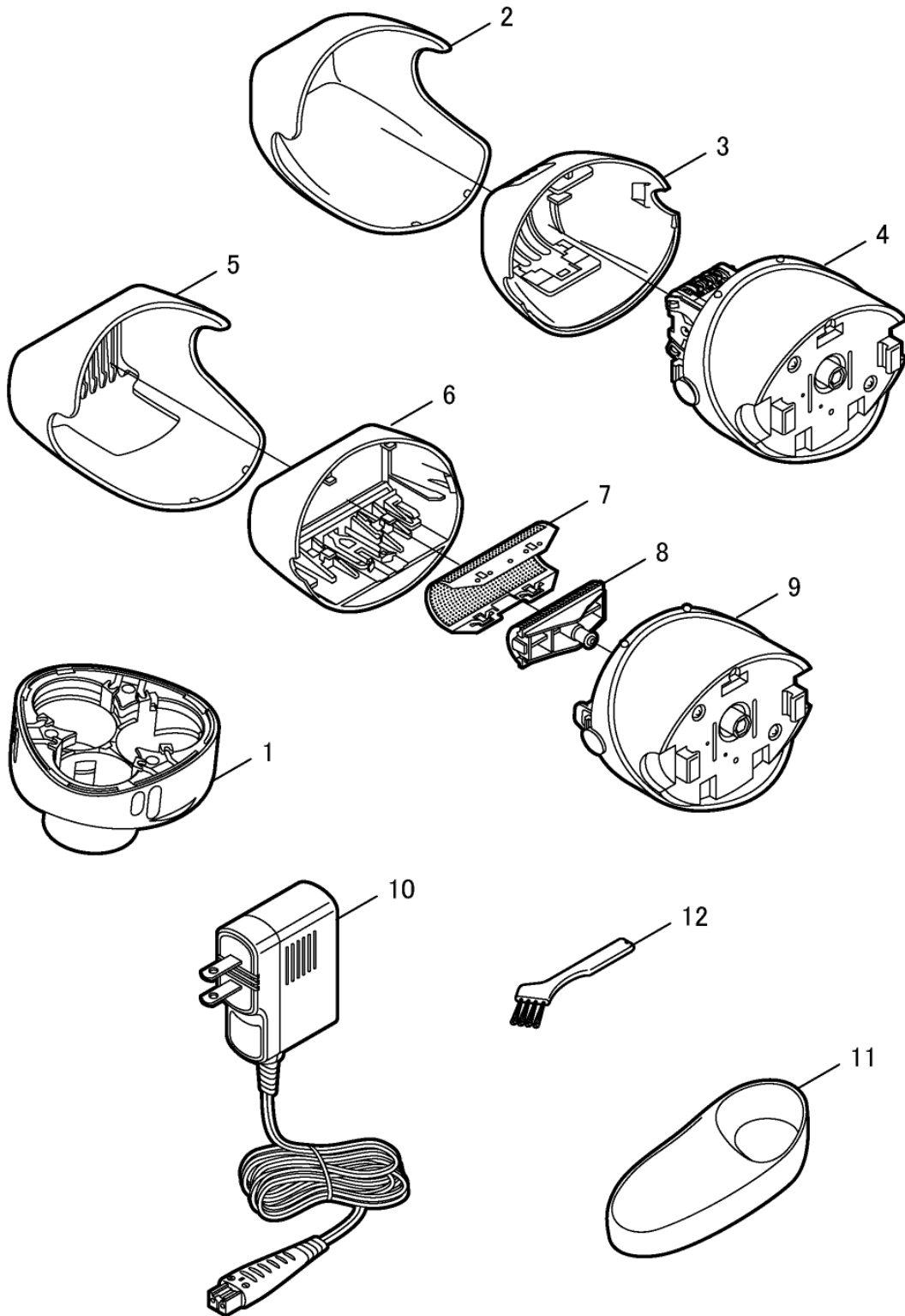
Supplied accessories	Stand
	Cleaning brush

3 Schematic Diagram



4 Exploded View and Replacement Parts List

Model No. : ES2065/ES2067 Exploded View



Model No. : ES2065/ES2067 Parts List

Safety	Ref. No.	Part No.	Part Name & Description	Q'ty	Remarks
	1	WES2067G3137	EPILATION HEAD FRAME FOR LEGS/ARMS	1	[BG]
	2	WES2067X7157	PROTECTION CAP	1	(only for ES2067), [BG]
	3	WES2067W3127	EPILATION HEAD FRAME FOR UNDERARMS/BIKINI I-LINE	1	(only for ES2067), [BG]
	4	WES2067W1077	EPILATION HEAD FOR UNDERARMS/BIKINI-LINE	1	(only for ES2067), [BG]
	5	WES2067X3558	BIKINI COMB	1	[BG]
	6	WES2067W4037	FOIL FRAME	1	[BG]
	7	WES9753P	OUTER FOIL	1	
	8	WES9752P	INNER BLADE	1	
	9	WES2067W0787	SHAVER HEAD	1	[BG]
	10	WES2067W7658	POWER ADAPTOR	1	(A-2 PLUG), [BG]
	11	WES2067X7187	STAND	1	(only for ES2067), [BG]
	12	WES2047H6767	CLEANING BRUSH	1	[BG]
	-	WES2065W8008	INDIVIDUAL PACKAGE	1	(only for ES2065), [BG]
	-	WES2067W8008	INDIVIDUAL PACKAGE	1	(only for ES2067), [BG]
	-	WES2065W8108	OPERATING INSTRUCTIONS	1	(only for ES2065), [BG]
	-	WES2067W8108	OPERATING INSTRUCTIONS	1	(only for ES2067), [BG]