

Service Manual

Epilator

Model No. ES2064

Asia
Middle East



⚠ WARNING

This service information is designed for experienced repair technicians only and is not designed for use by the general public. It does not contain warnings or cautions to advise non-technical individuals of potential dangers in attempting to service a product. Products powered by electricity should be serviced or repaired only by experienced professional technicians. Any attempt to service or repair the product or products dealt with in this service information by anyone else could result in serious injury or death.

IMPORTANT SAFETY NOTICE

There are special components used in this equipment which are important for safety. These parts are marked by ⚠ in the Schematic Diagrams, Circuit Board Diagrams, Exploded Views and Replacement Parts List. It is essential that these critical parts should be replaced with manufacturer's specified parts to prevent shock, fire or other hazards. Do not modify the original design without permission of manufacturer.

TABLE OF CONTENTS

	PAGE	PAGE
1 Warning-----	2	
2 Specifications -----	2	
3 Troubleshooting Guide-----	3	
4 Disassembly and Assembly Instructions -----	5	
5 Schematic Diagram-----	8	
6 Exploded View and Replacement Parts List -----	9	

1 Warning

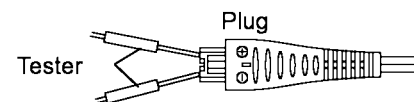
Caution:

- Pb free solder has a higher melting point than standard solder; Typically the melting point is 50 - 70°F (30 - 40°C) higher. Please use a soldering iron with temperature control and adjust it to 750 ± 20°F (400 ± 10°C). In case of using high temperature soldering iron, please be careful not to heat too long.
- Pb free solder will tend to splash when heated too high (about 1100°F / 600°C).

2 Specifications

Power source	100-240V AC, 50-60Hz (Automatic voltage conversion)
Charging time	1 hour
Power consumption	Approx. 5W (when charging)
Weight	Approx. 170g with the shaver head
Supplied accessories	Stand
	Soft case
	Cleaning brush

3 Troubleshooting Guide

<TROUBLE>	<CHECK.>	<REMEDY>
Motor does not operate. Does not work without attaching the epilator head or shaver head. Does not charge. Does not light the charging indication lamp.	→ <CHECK CHARGING ADAPTOR.> Connect to rated voltage with the charging adaptor. OK if it is approximately DC5.7V.	NO → Replace charging adaptor.
<div style="display: flex; align-items: center; justify-content: center;"> <div style="margin-right: 20px;">↓ OK</div> <div style="text-align: center;">  <p>Tester Plug</p> </div> </div>		

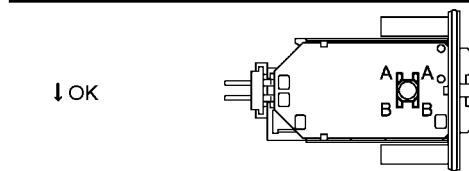
<CHECK MOTOR.> The motor should turn when 3.5V DC is applied to terminals.	NO → Replace the motor.
--	-------------------------

↓ OK

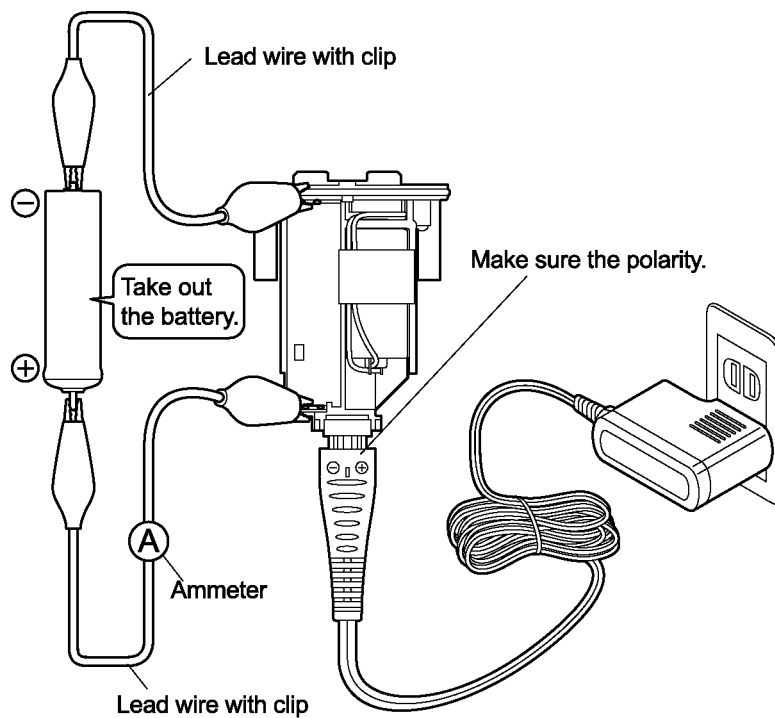
<CHECK RECHARGEABLE BATTERY.> Okay if the voltage of rechargeable battery is more than approximately 3.6V DC between (+) and (-) terminals.	NO → Replace rechargeable battery.
---	------------------------------------

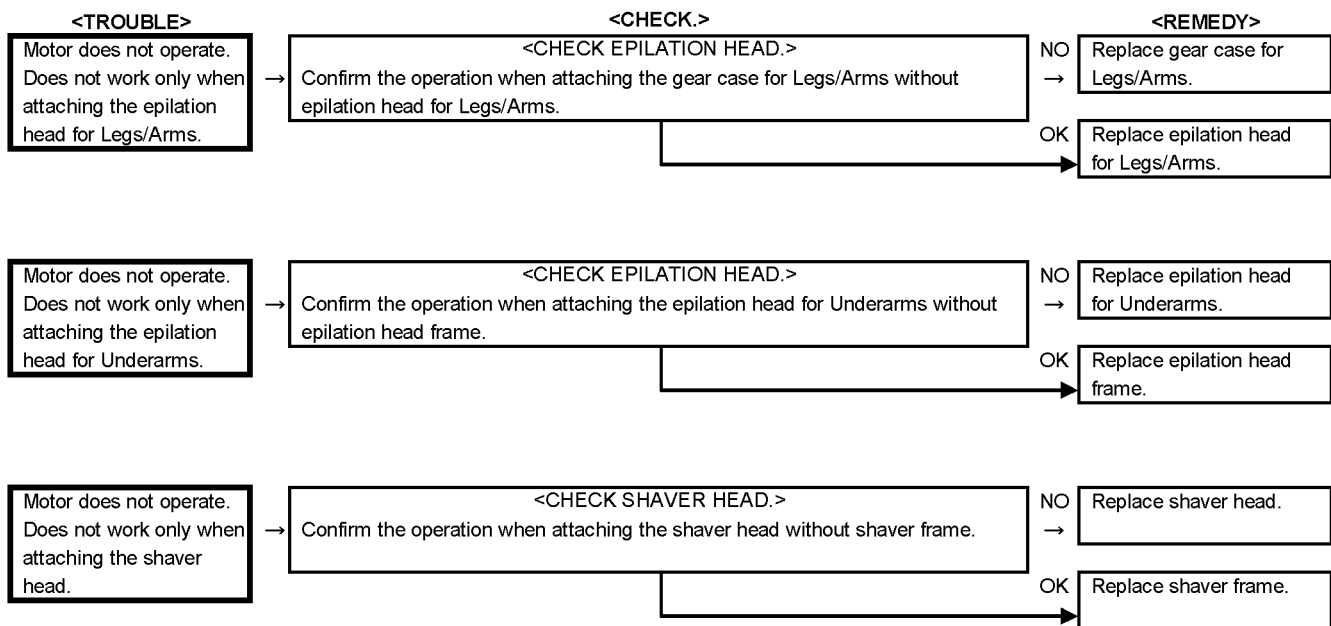
↓ OK

<CHECK MODULE.> Check continuity between (A)-(A) and (B)-(B) when pushing on the push switch. Check if the switch button works smoothly.	NO → Replace module.
---	----------------------



<CHECK MODULE.> Replace the battery and connect the rated voltage with switch OFF position. Check charging current, if it is approximately 700mA.	NO → Repair soldering parts. Replace module.
--	---





4 Disassembly and Assembly Instructions

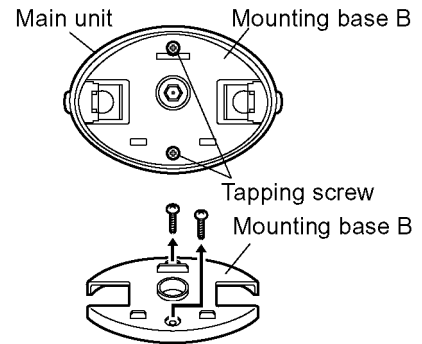
Follow the procedure below to disassemble the main unit.

4.1. Disassembly Instructions

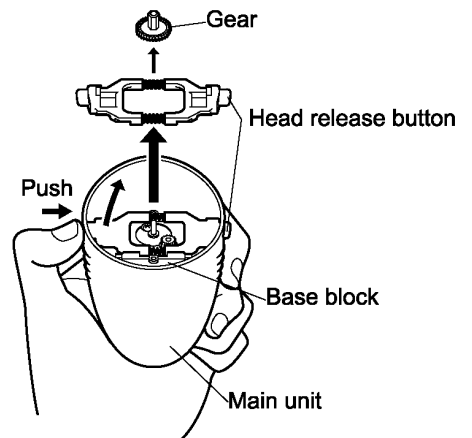
[MAIN UNIT]

Follow the procedure below to disassemble the main body.

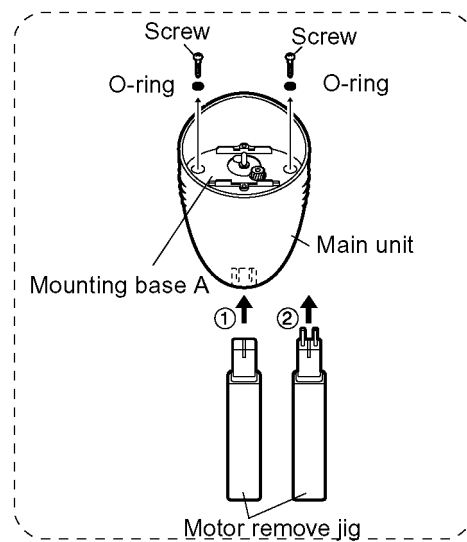
1. Remove the cap and the epilation head.
Loosen two screws on top and take out the mounting base B.



2. Remove the gear. Remove the head release button with pushing the buttons.



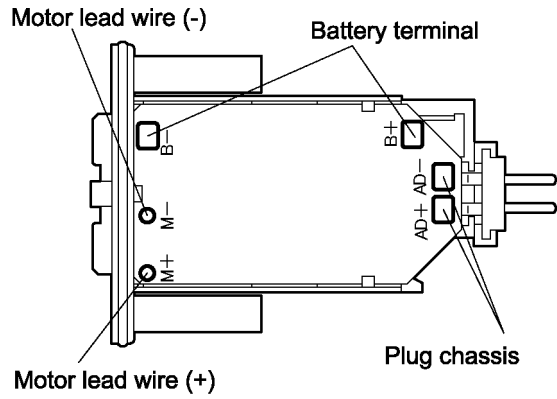
3. Loosen two screws where tightening the mounting base A.
Insert the motor remove jig into the connecting area of adaptor and push up the motor block.
Take out the motor assembly.



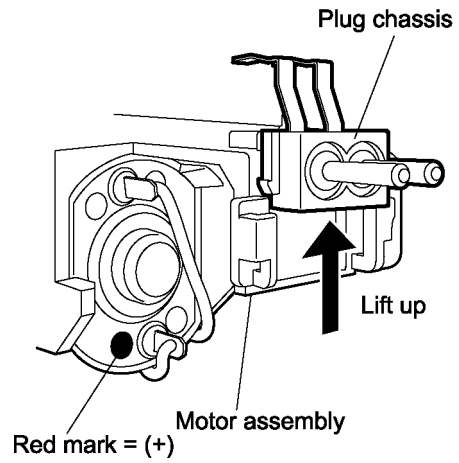
4. Unsolder the three locations, battery terminals, motor lead wires and plug chassis.

NOTE:

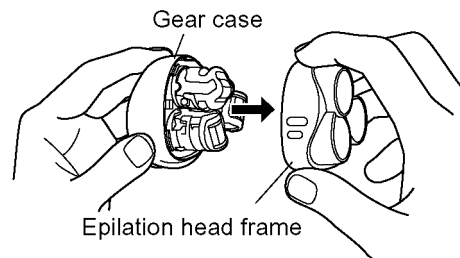
If the motor lead wires are attached the opposite pole, the rotation speed will be decrease and the life of motor will become short.



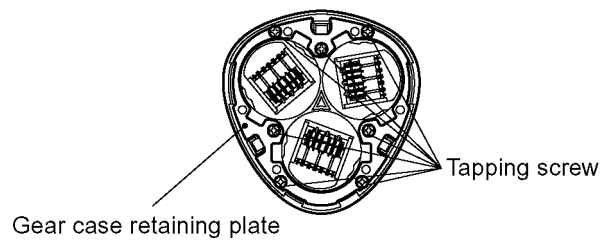
5. Lift up the plug chassis.



6. Remove the epilation head frame.



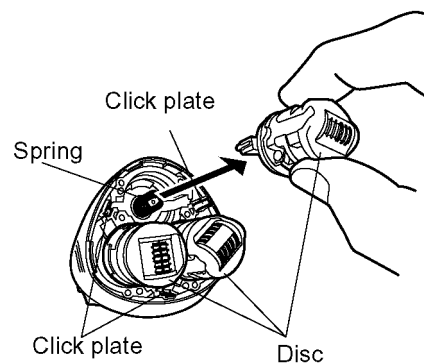
7. Loosen seven screws where tightening the gear case retaining plate.



8. Take out the disc.

NOTE:

Make sure not to loose the springs and click plate.

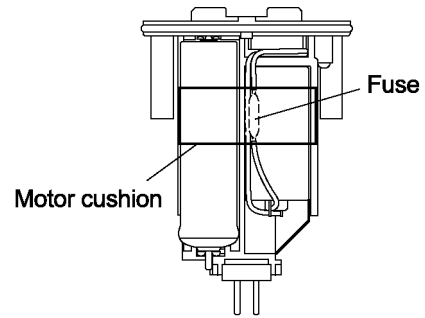


4.2. Assembly Instructions

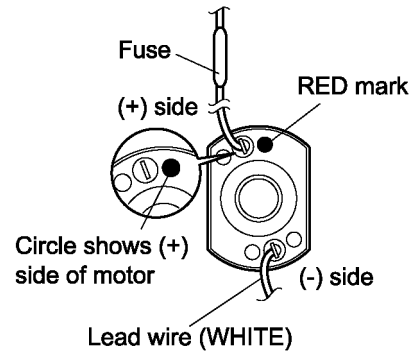
[MAIN UNIT]

For assembly, reverse the order of disassembly.

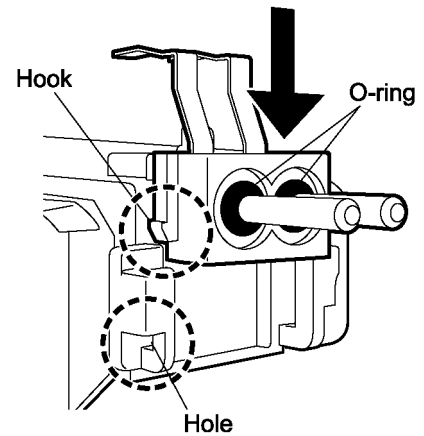
1. Confirm the colors of each lead wire when soldering with motor.



2. Press fit the lead wires into housing neatly.
3. Put fuse onto the motor and fixed it with the motor cushion.

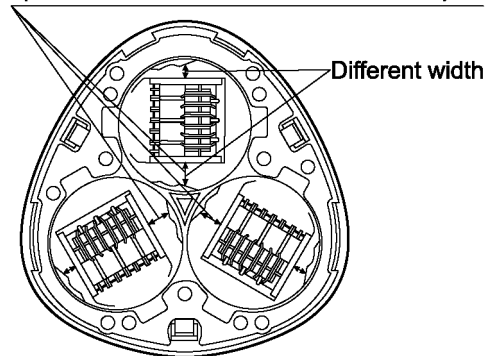


4. Press fit the plug chassis into the motor base block until clicking between the hook of plug chassis and the hole of motor base. Attach the O-rings.

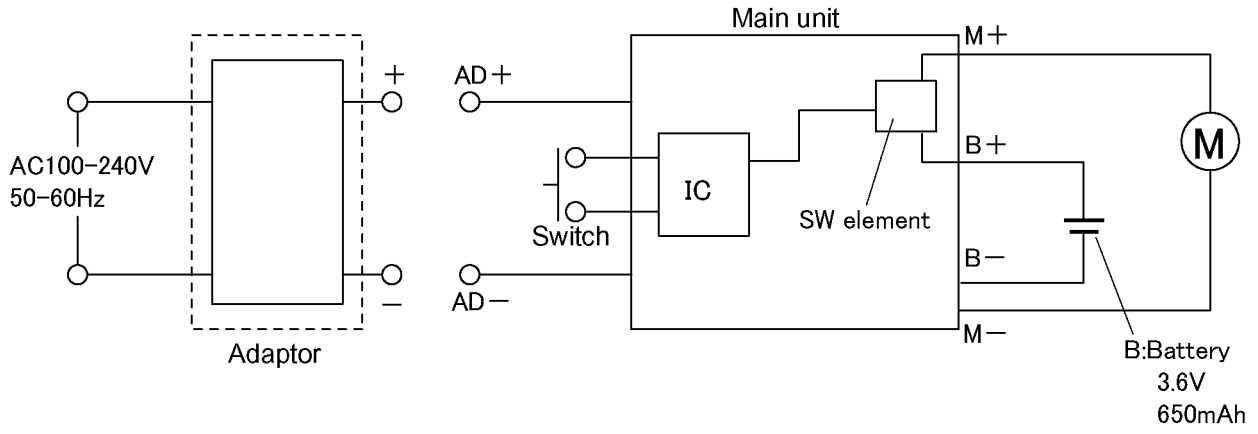


5. Set the discs with care of their directions. And put the click plate properly.

Set the three discs to face the same direction.
(The wider side should be at the center.)

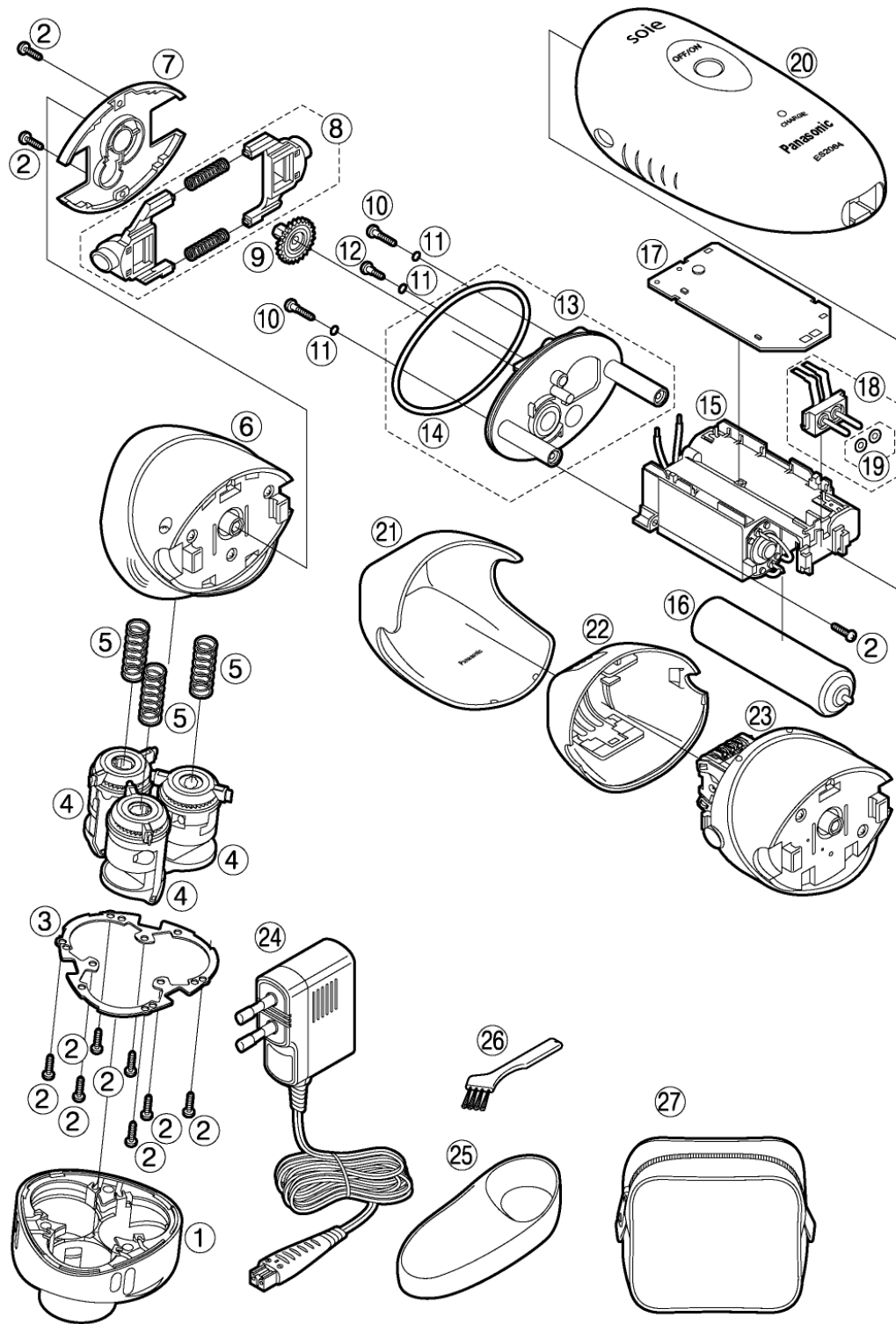


5 Schematic Diagram



6 Exploded View and Replacement Parts List

Model No. : ES2064 Exploded View



Model No. : ES2064 Parts List

Safety	Ref. No.	Part No.	Part Name & Description	Q'ty	Remarks
	1	WES2067C3137	EPILATION HEAD FRAME FOR LEGS/ARMS	1	[BG]
	2	WES2045L9008	SCREW	9	(K2-6), [BG]
	3	WES2067L0207	GEAR CASE RETAINING PLATE	1	[BG]
	4	WES2067L1267	EPILATION HEAD FOR LEGS/ARMS	1	[BG]
	5	WES2067L0197	FLOAT SPRING	3	[BG]
	6	WES2067N4937	EPILATION HEAD FOR LEGS/ARMS	1	[BG]
	7	WES2064W3388	MOUNTING BASE B	1	[BG]
	8	WES2067C3277	HEAD RELEASE BUTTON W/SPRING	1	[BG]
	9	WES2067L1297	GEAR	1	[BG]
	10	WES701S9706	SCREW	2	(K2-12), [BG]
	11	WES8016L0967	SCREW O-RING	3	[BG]
	12	WES2047S9707	SCREW	1	(K2-8), [BG]
	13	WES2047L4207	MOUNTING BASE A	1	[BG]
	14	WES2067L0997	HOUSING O-RING	1	[BG]
	15	WES2067L1007	MOTOR ASSEMBLY	1	[BG]
	16	WES8176L2500	RECHARGEABLE BATTERY	1	(LI-ION TYPE), [BG]
	17	WES2067L2107	MODULE	1	[BG]
	18	WES2067L2157	PLUG CHASSIS	1	[BG]
	19	WES2047L0327	O-RING A	2	(2PCS/PK), [BG]
	20	WES2064N3059	HOUSING	1	[BG]
	21	WES2067X7157	PROTECTION CAP	1	[BG]
	22	WES2067C3127	EPILATION HEAD FRAME WITH FOAM KEEPER FOR UNDERARMS/BIKINI-LINE	1	[BG]
	23	WES2067C1077	EPILATION HEAD FOR UNDERARMS/BIKINI-LINE	1	[BG]
	24	WES2064W7663	POWER ADAPTOR	1	(C-2 PLUG), [BG]
	25	WES2067X7187	STAND	1	[BG]
	26	WES2047H6767	CLEANING BRUSH	1	[BG]
	27	WES2067W7008	SOFT CASE	1	[BG]
	-	WES2064N8009	INDIVIDUAL PACKAGE	1	[BG]
	-	WES2064N8109	OPERATING INSTRUCTIONS	1	[BG]