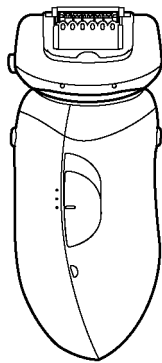


Service Manual

Epilator

Model No. **ES2056**
ES2058

Europe



Please file and use this manual together with the service manual for Model No. ES2054/ES2057, Order No. PCD0704E32CE.

WARNING

This service information is designed for experienced repair technicians only and is not designed for use by the general public. It does not contain warnings or cautions to advise non-technical individuals of potential dangers in attempting to service a product. Products powered by electricity should be serviced or repaired only by experienced professional technicians. Any attempt to service or repair the product or products dealt with in this service information by anyone else could result in serious injury or death.

IMPORTANT SAFETY NOTICE

There are special components used in this equipment which are important for safety. These parts are marked by in the Schematic Diagrams, Circuit Board Diagrams, Exploded Views and Replacement Parts List. It is essential that these critical parts should be replaced with manufacturer's specified parts to prevent shock, fire or other hazards. Do not modify the original design without permission of manufacturer.

TABLE OF CONTENTS

	PAGE		PAGE
1 Warning.....	2		
2 Specifications	2		
3 Troubleshooting Guide.....	3		
4 Exploded View and Replacement Parts List	4		

1 Warning

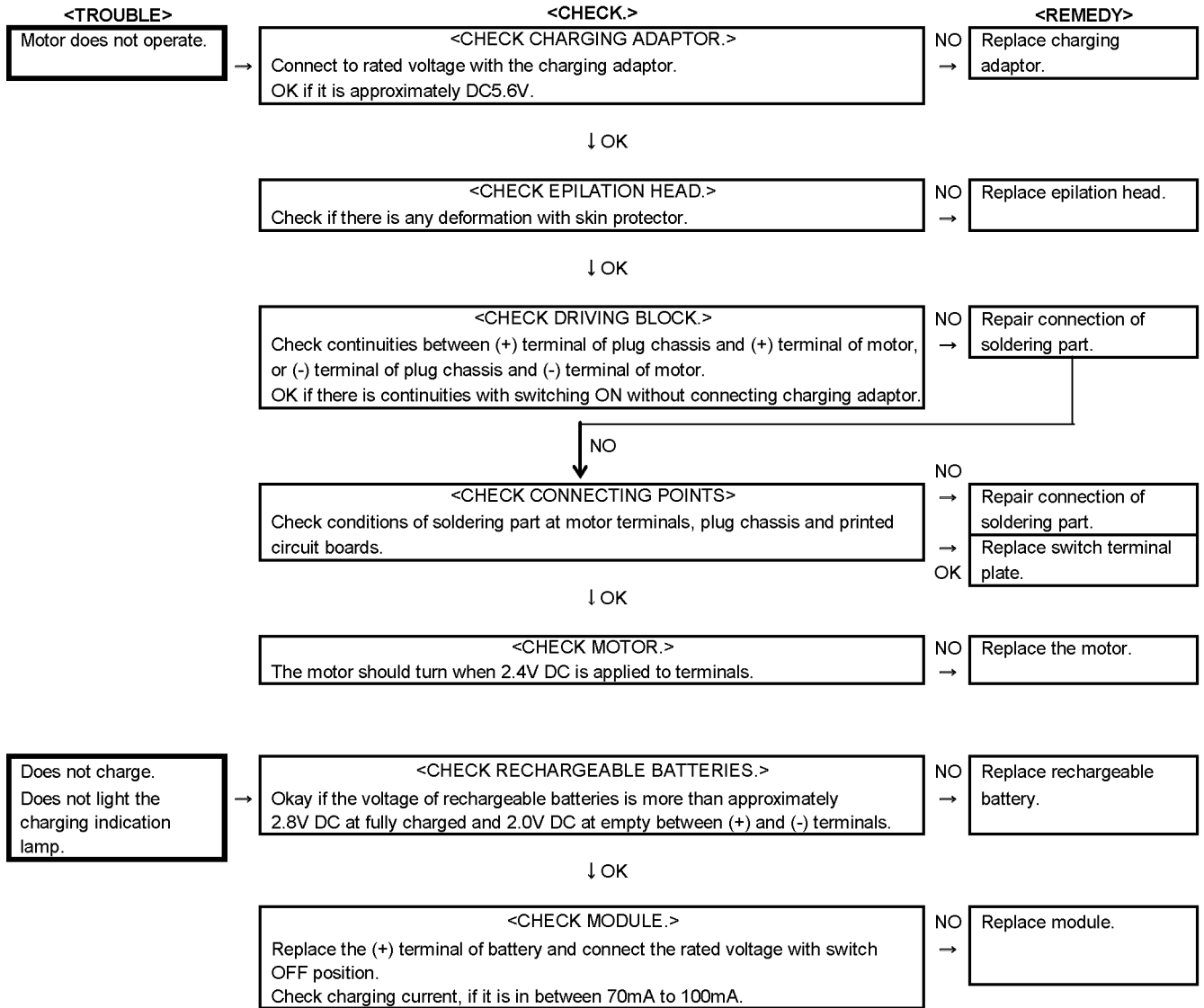
Caution:

- Pb free solder has a higher melting point than standard solder; Typically the melting point is 50 - 70°F (30 - 40°C) higher. Please use a soldering iron with temperature control and adjust it to 750 ± 20°F (400 ± 10°C). In case of using high temperature soldering iron, please be careful not to heat too long.
- Pb free solder will tend to splash when heated too high (about 1100°F / 600°C).

2 Specifications

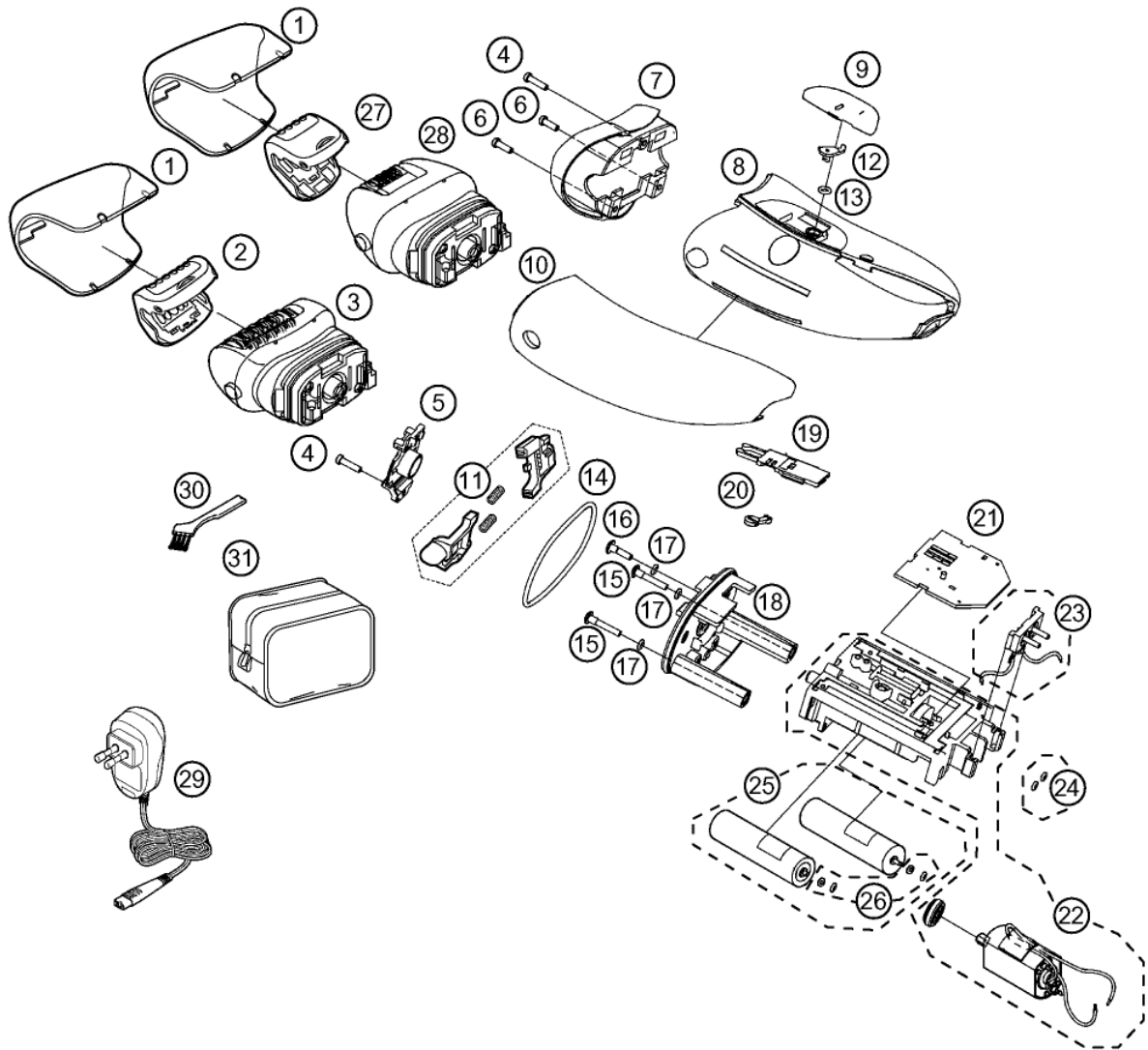
Power source	AC 220-240V, 50-60Hz
Power consumption	Approx. 1W (when charging)
Motor voltage	2.4V DC
Charging time	12 hours
Weight	Approx. 185g with the epilation head
	Approx. 170g with the shaver head (ES2058 only)
Supplied accessories	Soft case
	Cleaning brush

3 Troubleshooting Guide



4 Exploded View and Replacement Parts List

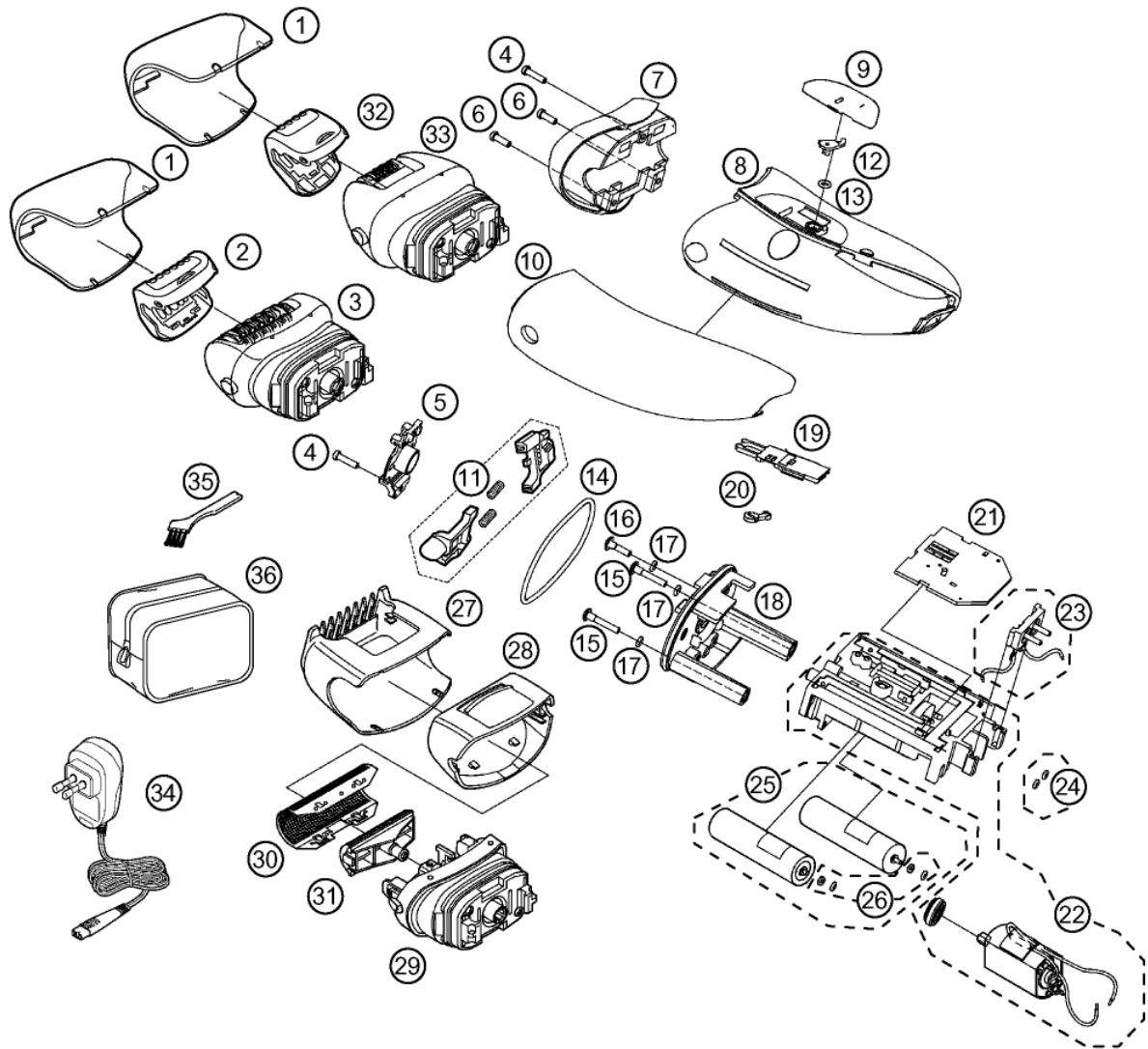
Model No. : ES2056 Exploded View for ES2056



Model No. : ES2056 Parts List

Safety	Ref. No.	Part No.	Part Name & Description	Q'ty	Remarks
ES2056					
	1	WES2054A7158	PROTECTIVE CAP	2	[BG]
	2	WES2054A3108	LEGS/ARMS FRAME WITH FOAM KEEPER	1	[BG]
	3	WES2051W1068	EPILATION HEAD FOR LEGS/ARMS	1	[BG]
	4	WES331B9257	TAPPING SCREW	2	(K2-8), [BG]
	5	WES2047L3387	BUTTON MOUNTING BASE B	1	[BG]
	6	WES2045L9008	TAPPING SCREW	4	(K2-6), [BG]
	7	WES2051A3118	HEAD MOUNTING BASE	1	[BG]
	8	WES2056W3068	HOUSING	1	[BG]
	9	WES2054W3208	SWITCH HANDLE	1	[BG]
	10	WES2056A3068	SIDE PANEL	1	[BG]
	11	WES2054A3278	HEAD RELEASE BUTTON W/SPRING	1	[BG]
	12	WES2047W1247	SWITCH CAM A	1	[BG]
	13	WES2047K0987	SWITCH O-RING	1	[BG]
	14	WES2047K0997	HOUSING O-RING	1	[BG]
	15	WES701S9706	SCREW	2	(K2-12), [BG]
	16	WES2047S9707	SCREW	1	(K2-8), [BG]
	17	WES2047L0337	O-RING B	3	(3PCS/PK), [BG]
	18	WES2047L4207	BUTTON MOUNTING BASE A	1	[BG]
	19	WES2047L2447	SWITCH PLATE	1	[BG]
	20	WES2047W1257	SWITCH CAM B	1	[BG]
	21	WES2053L2148	MODULE	1	[BG]
	22	WES2053L1008	MOTOR ASSEMBLY	1	[BG]
	23	WES2047L4197	PLUG CHASSIS	1	[BG]
	24	WES2047L0327	O-RING A	2	(2PCS/PK), [BG]
	25	WES2047L2508	RECHARGEABLE BATTERY	2	(NI-MH TYPE), (2PCS/PK), [BG]
	26	WES2047L0977	WASHER & O-RING SET	2	(2PCS/PK), [BG]
	27	WES2054A3128	UNDERARMS FRAME WITH FOAM KEEPER	1	[BG]
	28	WES2047W1078	EPILATION HEAD FOR UNDERARMS/BIKINI-LINE	1	[BG]
	29	WES2058W7664	POWER ADAPTOR	1	(C-2 PLUG), [BG]
	30	WES2047H6767	CLEANING BRUSH	1	[BG]
	31	WES2047W7008	SOFT CASE	1	[BG]
	-	WES2056A8008	INDIVIDUAL PACKAGE	1	[BG]
	-	WES2058P8108	OPERATING INSTRUCTIONS	1	[BG]

Model No. : ES2058 Exploded View for ES2058



Model No. : ES2058 Parts List

Safety	Ref. No.	Part No.	Part Name & Description	Q'ty	Remarks
ES2058					
	1	WES2057P7158	PROTECTIVE CAP	2	[BG]
	2	WES2057P3108	LEGS/ARMS FRAME WITH FOAM KEEPER	1	[BG]
	3	WES2051W1068	EPILATION HEAD FOR LEGS/ARMS	1	[BG]
	4	WES331B9257	TAPPING SCREW	2	(K2-8), [BG]
	5	WES2047L3387	BUTTON MOUNTING BASE B	1	[BG]
	6	WES2045L9008	TAPPING SCREW	4	(K2-6), [BG]
	7	WES2059P3118	HEAD MOUNTING BASE	1	[BG]
	8	WES2058W3068	HOUSING	1	[BG]
	9	WES2054W3208	SWITCH HANDLE	1	[BG]
	10	WES2058P3068	SIDE PANEL	1	[BG]
	11	WES2057P3278	HEAD RELEASE BUTTON W/SPRING	1	[BG]
	12	WES2047W1247	SWITCH CAM A	1	[BG]
	13	WES2047K0987	SWITCH O-RING	1	[BG]
	14	WES2047K0997	HOUSING O-RING	1	[BG]
	15	WES701S9706	SCREW	2	(K2-12), [BG]
	16	WES2047S9707	SCREW	1	(K2-8), [BG]
	17	WES2047L0337	O-RING B	3	(3PCS/PK), [BG]
	18	WES2047L4207	BUTTON MOUNTING BASE A	1	[BG]
	19	WES2047L2447	SWITCH PLATE	1	[BG]
	20	WES2047W1257	SWITCH CAM B	1	[BG]
	21	WES2053L2148	MODULE	1	[BG]
	22	WES2053L1008	MOTOR ASSEMBLY	1	[BG]
	23	WES2047L4197	PLUG CHASSIS	1	[BG]
	24	WES2047L0327	O-RING A	2	(2PCS/PK), [BG]
	25	WES2047L2508	RECHARGEABLE BATTERY	2	(NI-MH TYPE), (2PCS/PK), [BG]
	26	WES2047L0977	WASHER & O-RING SET	2	(2PCS/PK), [BG]
	27	WES2045P3558	BIKINI COMB	1	[BG]
	28	WES2059W4038	FOIL FRAME	1	[BG]
	29	WES2047W0787	SHAVER HEAD	1	[BG]
	30	WES9753Y	OUTER FOIL	1	
	31	WES9752Y	INNER BLADE	1	
	32	WES2057P3128	UNDERARMS FRAME WITH FOAM KEEPER	1	[BG]
	33	WES2047W1078	EPILATION HEAD FOR UNDERARMS/BIKINI-LINE	1	[BG]
	34	WES2058W7664	POWER ADAPTOR	1	(C-2 PLUG), [BG]
	35	WES2047H6767	CLEANING BRUSH	1	[BG]
	36	WES2047W7008	SOFT CASE	1	[BG]
	-	WES2058P8008	INDIVIDUAL PACKAGE	1	[BG]
	-	WES2058P8108	OPERATING INSTRUCTIONS	1	[BG]