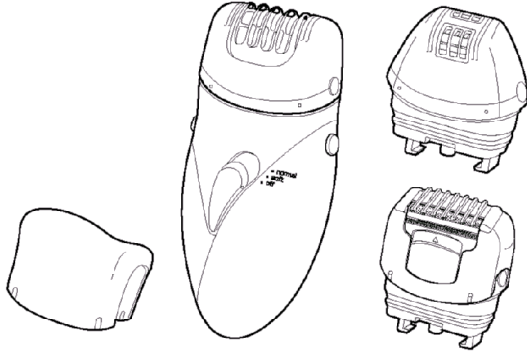


# Service Manual

Epilator

**ES2023**  
**ES2024**  
**ES2027**



## SPECIFICATIONS

Power source	AC220-240V, 50-60Hz
Power consumption	Approx. 6W
Motor voltage	12V DC
Charging time	8 hours
Weight	135g (unit with the big epilation head)
	130g (unit with the small epilation head / unit with the shaver head)
Supplied accessories	Soft case
	Cleaning brush

### **⚠ WARNING**

This service information is designed for experienced repair technicians only and is not designed for use by the general public. It does not contain warnings or cautions to advise non-technical individuals of potential dangers in attempting to service a product. Products powered by electricity should be serviced or repaired only by experienced professional technicians. Any attempt to service or repair the product or products dealt with in this service information by anyone else could result in serious injury or death.

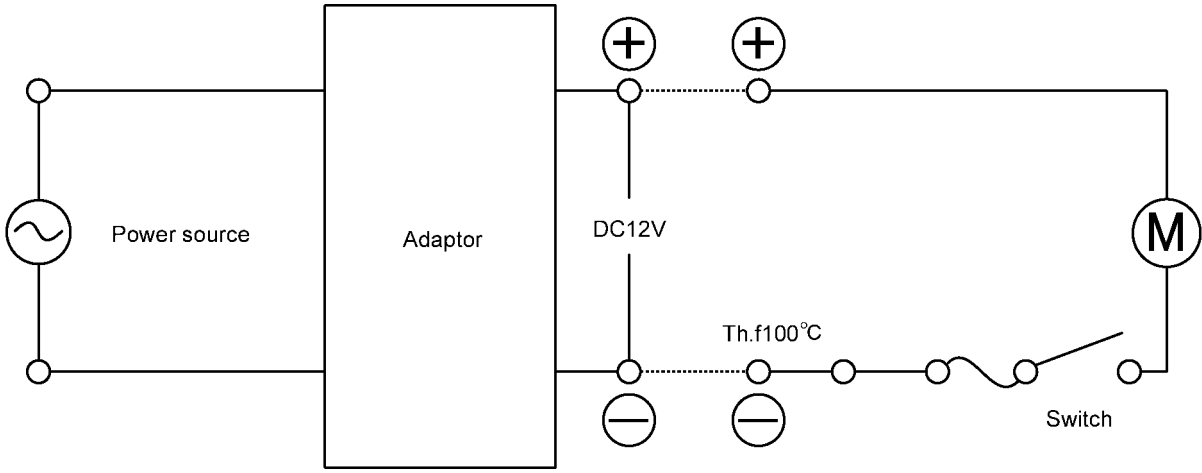
## CONTENTS

	Page		Page
1 SCHEMATIC DIAGRAM .....	2	4 TROUBLESHOOTING GUIDE .....	7
2 DISASSEMBLY INSTRUCTIONS .....	3-4	5 EXPLODED VIEW & REPLACEMENT PARTS LIST .....	8-11
3 ASSEMBLY INSTRUCTIONS .....	5-6		



©2003 Matsushita Electric Works, Ltd.  
All rights reserved. Unauthorized copying and distribution is a violation of law.

# 1 SCHEMATIC DIAGRAM



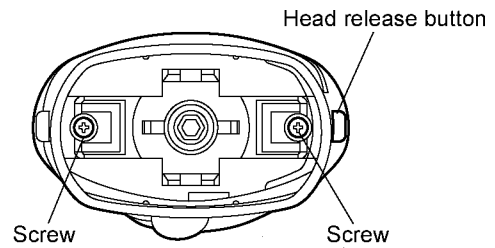
## 2 DISASSEMBLY INSTRUCTIONS

### 2.1 MAIN UNIT

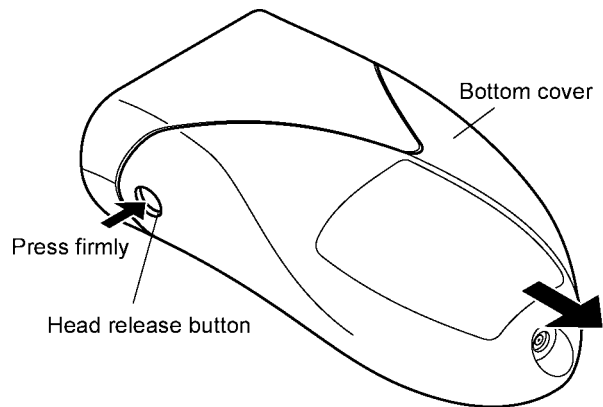
Follow the procedure below to disassemble the main body.

#### 1. Remove the cap and the epilation head.

Loosen two screws on top.

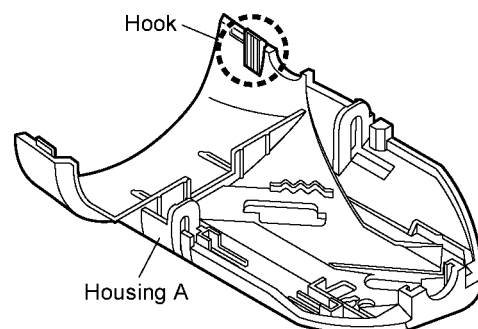
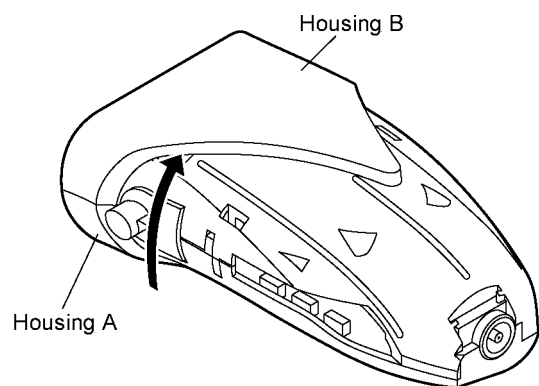


#### 2. Take out the bottom cover with pushing a head release button.



#### 3. Separate the housing A and housing B with care to prevent breakage of hooks.

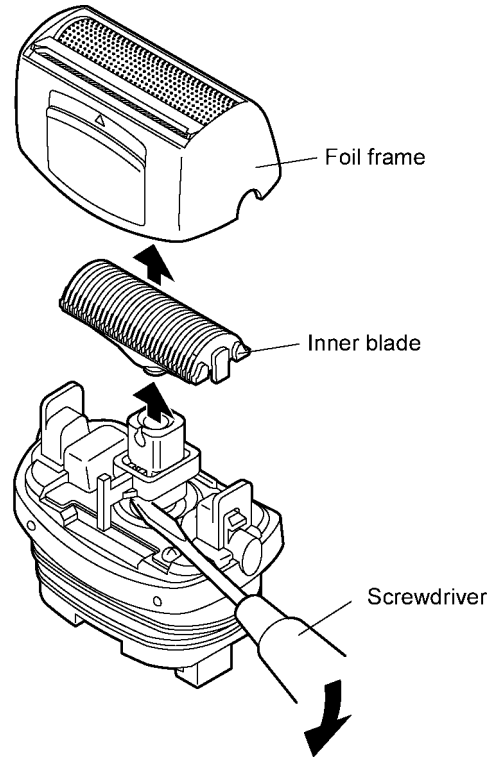
**NOTE:** Make sure that there are two hooks on both side of housing A. If open the unit with all one's strength, it may damage the hooks.



## 2.2 SHAVER HEAD ( only for ES2027 )

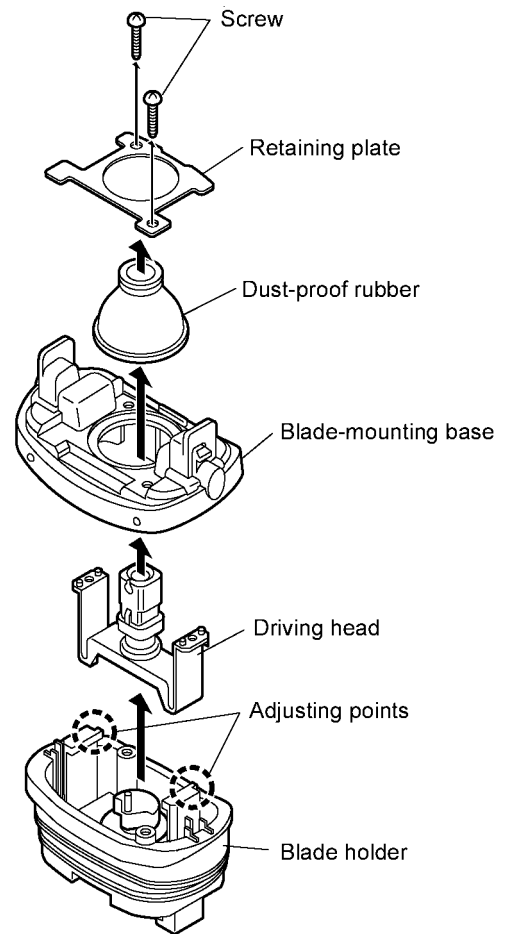
1. Remove the foil frame, inner blade and trimmer driving bar.

**NOTE:** Lift the trimmer driving bar up by using something like a slotted head screwdriver as shown in figure with care of breakage.



2. Loosen two screws and remove the retaining plate and dust-proof rubber.

3. Remove the blade-mounting base and take out the driving head from the blade holder.

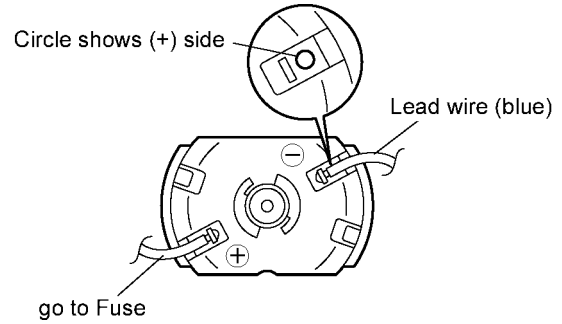


## 3 ASSEMBLY INSTRUCTIONS

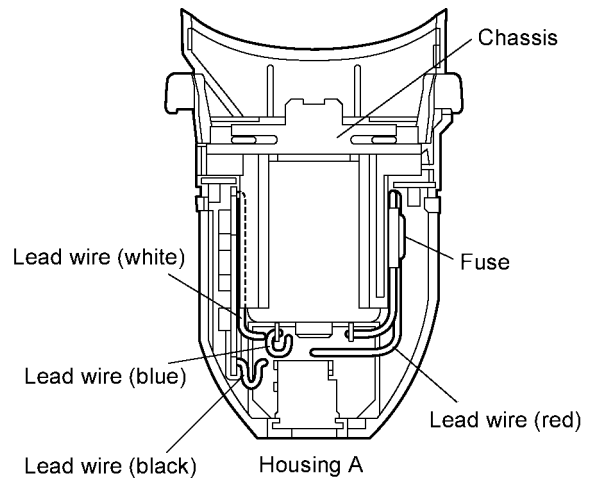
### 3.1 MAIN UNIT

For assembly, reverse the order of disassembly.

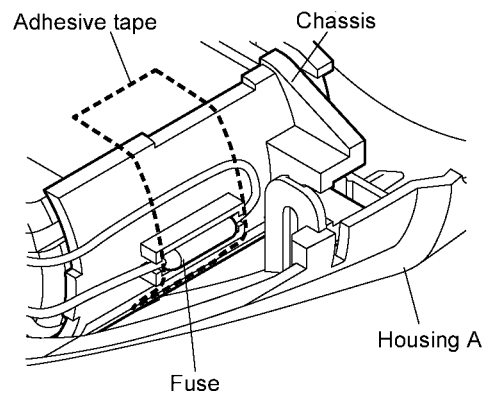
1. Confirm the colors of each lead wire when soldering with motor.



2. Press fit the lead wires into housing neatly.
3. Put fuse into frame located side of chassis and fixed it with an adhesive tape.

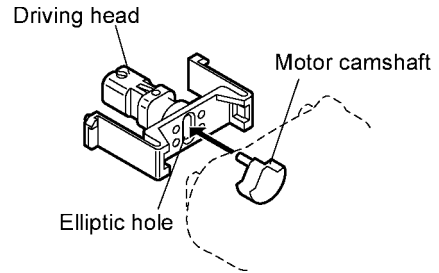
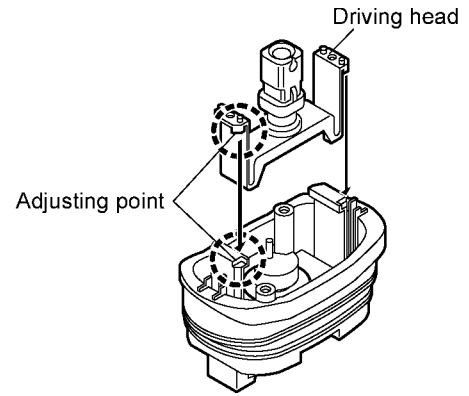


4. Close the housing A and B and tighten two screws after assembling housings with the bottom cover.

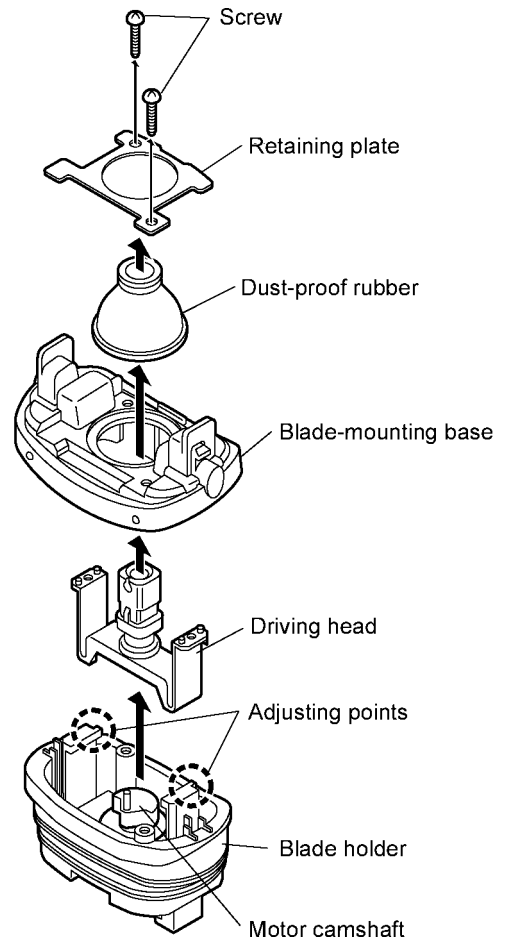
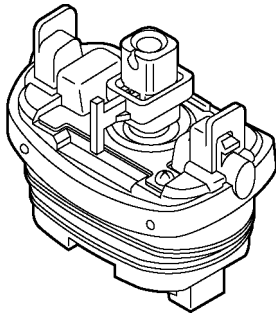


### 3.2 SHAVER HEAD(only for ES2027)

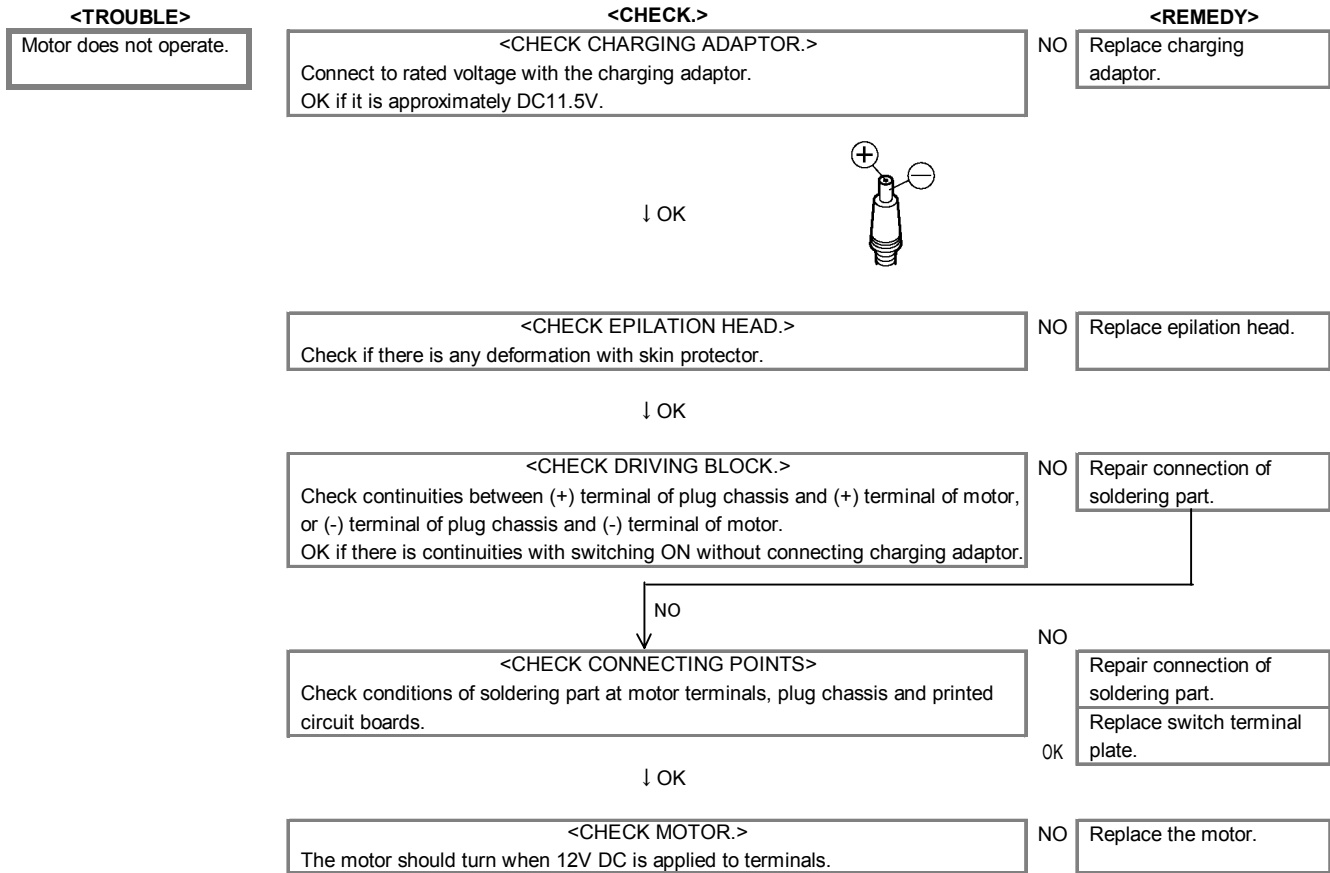
1. Confirm the direction of driving head and install a driving head in the blade holder after inserting the motor tip pin into an elliptic hole of the motor camshaft.



2. Install the blade mounting base, dust-proof rubber, retaining plate and tighten two screws.  
3. Confirm the direction of trimmer driving bar.

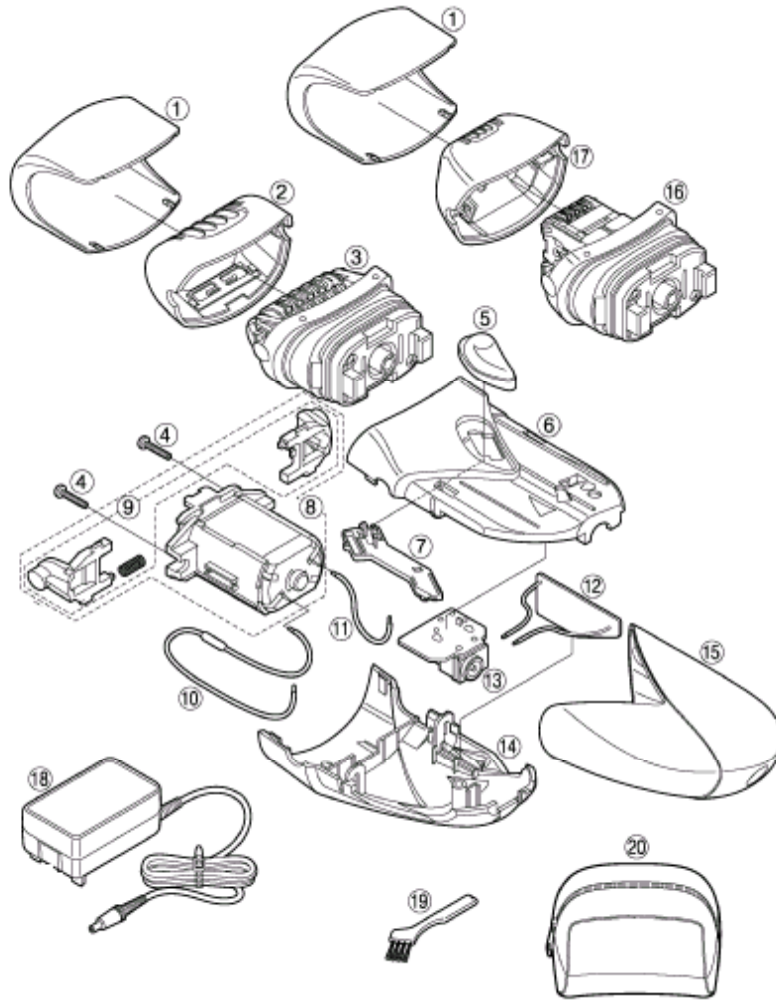


# 4 TROUBLESHOOTING GUIDE (Refer to WIRING CONNECTION DIAGRAM)



# 5 EXPLODED VIEW & REPLACEMENT PARTS LIST

## 5.1. EXPLODED VIEW for ES2023/ES2024





## 5.2. REPLACEMENT PARTS LIST for ES2023/ES2024

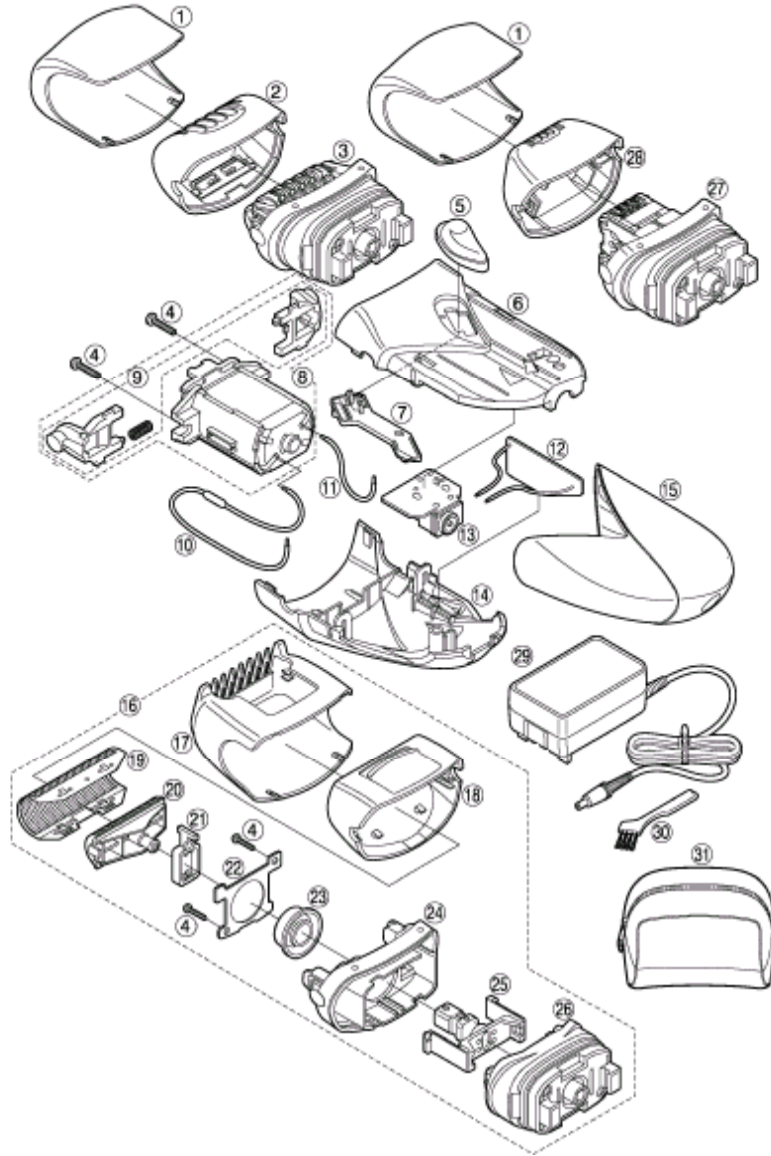
NOTE : \*A . . . available as an optional accessory

\*B . . . only available as set

\*C . . . available individually

Ref. No.	Part No.	Part Name & Descriptions	Remarks	Per Unit
1	WES2027A7157	PROTECTIVE CAP	*C ES2023 BULE (BG)	2
1	WES2027V7157	PROTECTIVE CAP	*C ES2024 VIOLET	2
2	WES2027A3107	BIG EPILATION HEAD FRAME	ES2023 BULE (BG)	1
2	WES2027V3107	BIG EPILATION HEAD FRAME	ES2024 VIOLET	1
3	WES2027A1067	BIG EPILATION HEAD FOR LEGS/ARMS	ES2023 BULE (BG)	1
3	WES2027V1067	BIG EPILATION HEAD FOR LEGS/ARMS	ES2024 VIOLET	1
4	WES331B9257	TAPPING SCREW	*C K2-8	4
5	WES2027S3207	SWITCH HANDLE		1
6	WES2024W3057	HOUSING A	ES2023 BULE (BG)	1
6	WES2027W3057	HOUSING A	ES2024 VIOLET	1
7	WES2027L2447	SWITCH PLATE		1
8	WES2027L1007	MOTOR		1
9	WES2027W3277	HEAD RELEASE BUTTON W/SPRING	*B (2PCS/PK) (BG)	2
10	WES2027L2607	THERMAL FUSE		1
11	WES2027L2967	LEAD WIRE		1
12	WES2027L2147	DIODE WITH P-PLATE		1
13	WES2027K2167	JACK WITH SWITCH P-PLATE		1
14	WES2024W3068	HOUSING B	ES2023 BULE (BG)	1
14	WES2027W3068	HOUSING B	ES2024 VIOLET	1
15	WES2024A3111	BOTTOM COVER	ES2023 BULE (BG)	1
15	WES2024V3118	BOTTOM COVER	ES2024 VIOLET (BG)	1
16	WES2027A1077	SMALL EPILATION HEAD FOR UNDERARMS/BIKINI-LINE	ES2023 BULE (BG)	1
16	WES2027V1077	SMALL EPILATION HEAD FOR UNDERARMS/BIKINI-LINE	ES2024 VIOLET	1
17	WES2027A3127	SMALL EPILATION HEAD FRAME	ES2023 BULE (BG)	1
17	WES2027V3127	SMALL EPILATION HEAD FRAME	ES2024 VIOLET	1
18	WES2027W7664	POWER ADAPTOR	C-2 PLUG	1
19	WES76806761	CLEANING BRUSH		1
20	WES2004W7007	SOFT CASE		(BG) 1
-	WES2023A8008	INDIVIDUAL BOX	ES2023 BULE (BG)	1
-	WES2024V8008	INDIVIDUAL BOX	ES2024 VIOLET (BG)	1
-	WES2024V8108	OPERATING INSTRUCTIONS		(BG) 1

### 5.3. EXPLODED VIEW for ES2027



## 5.4. REPLACEMENT PARTS LIST for ES2027

NOTE : \*A . . . available as an optional accessory

\*B . . . only available as set

\*C . . . available individually

Ref.No.	Part No.	Part Name & Descriptions	Remarks	Per Unit
1	WES2027D7157	PROTECTIVE CAP	*C	(BG) 2
2	WES2027D3107	BIG EPILATION HEAD FRAME		(BG) 1
3	WES2027D1067	BIG EPILATION HEAD FOR LEGS/ARMS		(BG) 1
4	WES331B9257	TAPPING SCREW	*C K2-8	4
5	WES2027S3207	SWITCH HANDLE		(BG) 1
6	WES2027W3057	HOUSING A		(BG) 1
7	WES2027L2447	SWITCH PLATE		(BG) 1
8	WES2027L1007	MOTOR		(BG) 1
9	WES2027W3277	HEAD RELEASE BUTTON W/SPRING	*B (2PCS/PK)	(BG) 1
10	WES2027L2607	THERMAL FUSE		(BG) 1
11	WES2027L2967	LEAD WIRE		(BG) 1
12	WES2027L2147	DIODE WITH P-PLATE		(BG) 1
13	WES2027K2167	JACK WITH SWITCH P-PLATE		(BG) 1
14	WES2027W3068	HOUSING B		(BG) 1
15	WES2027D3118	BOTTOM COVER		(BG) 1
16	WES2027D4037	SHAVER HEAD		(BG) 1
17	WES2027D3557	SMALL EPILATION COMB		(BG) 1
18	WES2027D0087	FOIL FRAME		(BG) 1
19	WES9753E	OUTER FOIL		1
20	WES9752E	INNER BLADE		1
21	WES204W1257	TRIMMER DRIVING BAR		(BG) 1
22	WES2027L0207	RETAINING PLATE		(BG) 1
23	WES2005L0327	DUST-PROOF RUBBER		(BG) 1
24	WES2027D3097	BLADE MOUNTING BASE		(BG) 1
25	WES2005L1247	DRIVING HEAD		(BG) 1
26	WES2027L0787	BLADE HOLDER		(BG) 1
27	WES2027D1077	SMALL EPILATION HEAD FOR UNDERARMS/BIKINI-LINE		(BG) 1
28	WES2027D3127	SMALL EPILATION HEAD FRAME		(BG) 1
29	WES2027W7664	POWER ADAPTOR		(BG) 1
30	WES76806761	CLEANING BRUSH		1
31	WES2004W7007	SOFT CASE		(BG) 1
-	WES2027D8008	INDIVIDUAL BOX		(BG) 1
-	WES2024V8108	OPERATING INSTRUCTIONS		(BG) 1