

# Service Manual

Epilator



Model No. **ES-WU11**  
**ES-WU31**  
**ES-WU41**

Europe  
CIS




Please file and use this manual together with the service manual for Model No. ES2013-E2, Order No. PCD0606E33AE.

### **WARNING**

This service information is designed for experienced repair technicians only and is not designed for use by the general public. It does not contain warnings or cautions to advise non-technical individuals of potential dangers in attempting to service a product. Products powered by electricity should be serviced or repaired only by experienced professional technicians. Any attempt to service or repair the product or products dealt with in this service information by anyone else could result in serious injury or death.

### **IMPORTANT SAFETY NOTICE**

There are special components used in this equipment which are important for safety. These parts are marked by  in the Schematic Diagrams, Circuit Board Diagrams, Exploded Views and Replacement Parts List. It is essential that these critical parts should be replaced with manufacturer's specified parts to prevent shock, fire or other hazards. Do not modify the original design without permission of manufacturer.

## TABLE OF CONTENTS

	PAGE	PAGE
1 Warning-----	2	
2 Specifications -----	2	
3 Exploded View and Replacement Parts List -----	3	

# 1 Warning

## Caution:

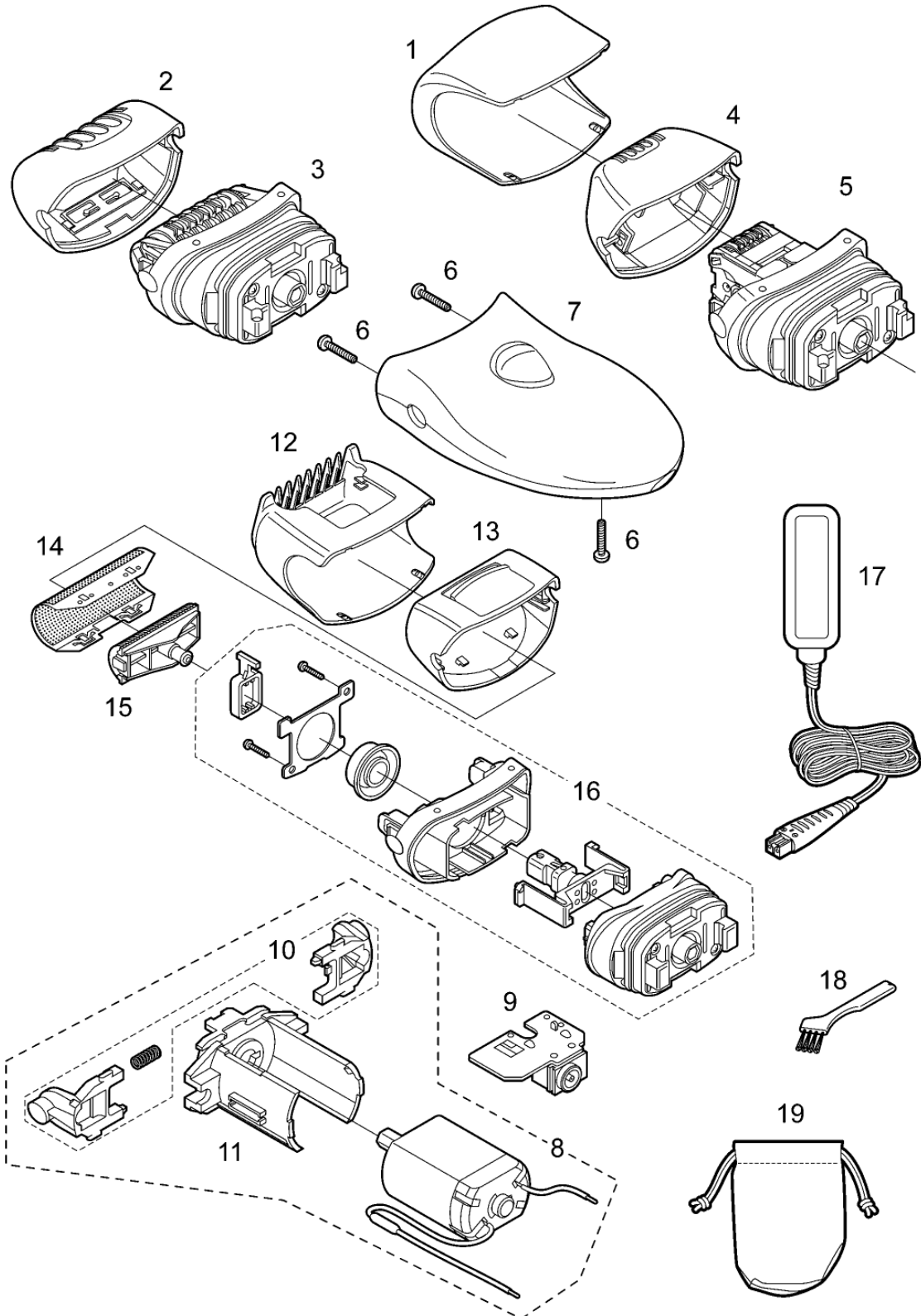
- Pb free solder has a higher melting point than standard solder; Typically the melting point is 50 - 70°F (30 - 40°C) higher. Please use a soldering iron with temperature control and adjust it to 750 ± 20°F (400 ± 10°C). In case of using high temperature soldering iron, please be careful not to heat too long.
- Pb free solder will tend to splash when heated too high (about 1100°F / 600°C).

# 2 Specifications

Power source	for Europe	100-240V AC, 50-60Hz
	for CIS	220-240V AC, 50-60Hz
Power consumption	Approx. 5W	
Weight	Approx. 170g with the shaver head	
Supplied accessories	Soft case (only for ES-WU41)	
	Cleaning brush	

# 3 Exploded View and Replacement Parts List

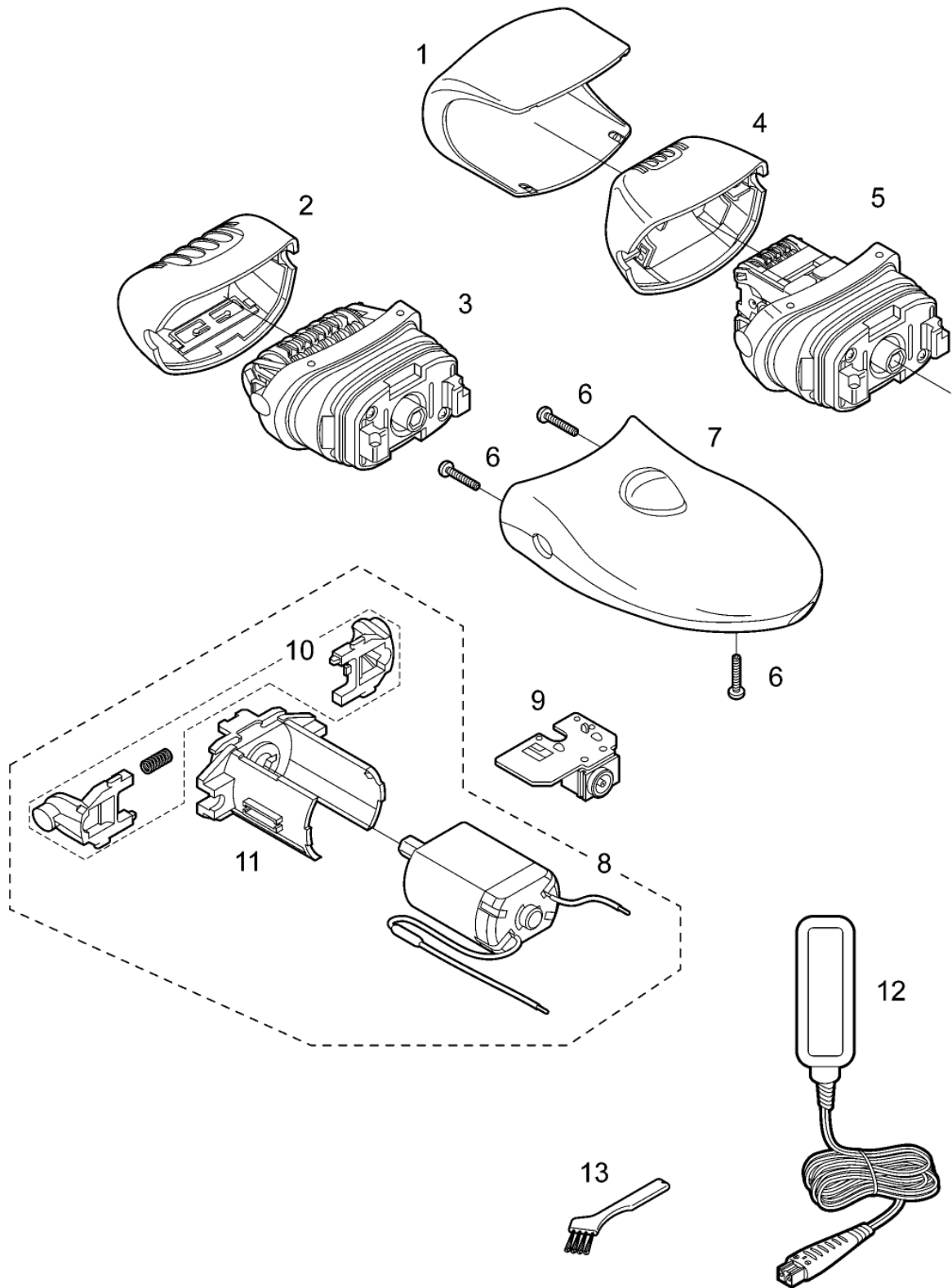
Model No. : ES-WU41 EXPLODED VIEW



## Model No. : ES-WU41 Parts List

Safety	Ref. No.	Part No.	Part Name & Description	Q'ty	Remarks
ES-WU41					
	1	WESWU41P7158	PROTECTIVE CAP	2	
	2	WESWS10W3008	EPILATION FRAME FOR LEGS/ARMS	1	
	3	WESWS20W1068	EPILATION HEAD FOR LEGS/ARMS	1	
	4	WESWU31W3128	EPILATION FRAME FOR UNDERARMS	1	
	5	WESWU31W1078	EPILATION HEAD FOR UNDERARMS	1	
	6	WES331B9257	TAPPING SCREW	3	K2-8
	7	WESWU41P3058	HOUSING AB SET	1	for CIS
	8	WESWU11L1008	MOTOR	1	
	9	WESWU11L2148	JACK WITH SWITCH P-PLATE	1	
	10	WES2013W3278	HEAD RELEASE BUTTON W/SPRING	1	
	11	WESWU11H2448	CHASSIS	1	
	12	WESWU41X3558	BIKINI COMB	1	
	13	WESWS20W4038	FOIL FRAME	1	
	14	WES9753Y	OUTER FOIL	1	
	15	WES9752Y	INNER BLADE	1	
	16	WESWS20W0788	SHAVER HEAD	1	
	17	WESWU11W7661	AC ADAPTOR	1	C-2 PLUG / for CIS
	18	WES2047H6767	CLEANING BRUSH	1	
	19	WESWU41W7008	SOFT CASE	1	
	-	WESWU41P8008	INDIVIDUAL BOX	1	for CIS
	-	WESWU41P8108	OPERATING INSTRUCTIONS	1	for CIS

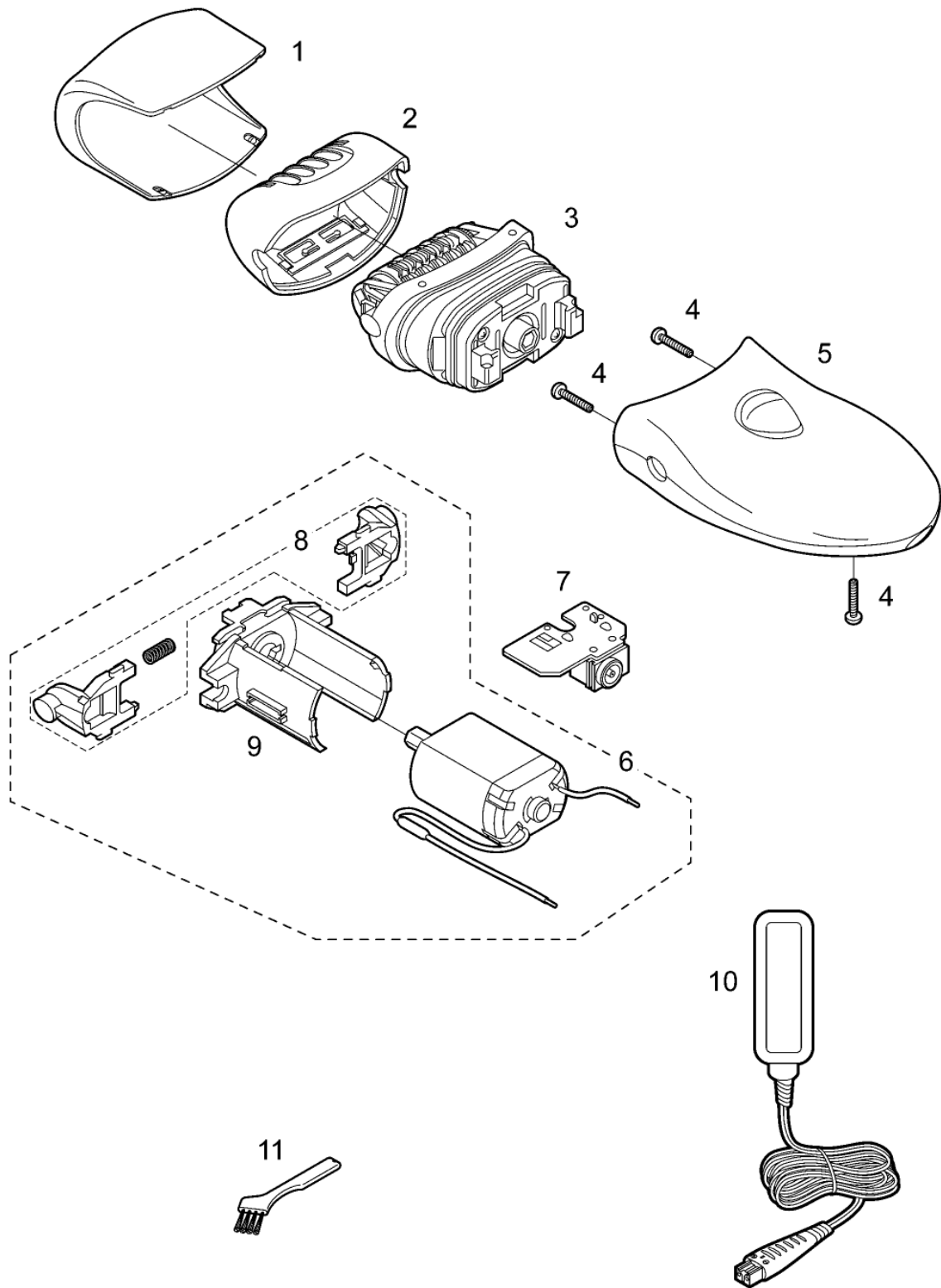
**Model No. : ES-WU31 EXPLODED VIEW**



## Model No. : ES-WU31 Parts List

Safety	Ref. No.	Part No.	Part Name & Description	Q'ty	Remarks
ES-WU31					
	1	WESWU31D7158	PROTECTION CAP	2	
	2	WESWS10W3008	EPILATION FRAME FOR LEGS/ARMS	1	
	3	WESWS20W1068	EPILATION HEAD FOR LEGS/ARMS	1	
	4	WESWU31W3128	EPILATION FRAME FOR UNDERARMS	1	
	5	WESWU31W1078	EPILATION HEAD FOR UNDERARMS	1	
	6	WES331B9257	TAPPING SCREW	3	K2-8
	7	WESWU31D3058	HOUSING AB SET	1	for CIS
	8	WESWU11L1008	MOTOR	1	
	9	WESWU11L2148	JACK WITH SWITCH P-PLATE	1	
	10	WES2013W3278	HEAD RELEASE BUTTON W/SPRING	1	
	11	WESWU11H2448	CHASSIS	1	
	12	WESWU11W7661	AC ADAPTOR	1	C-2 PLUG / for CIS
	13	WES2047H6767	CLEANING BRUSH	1	
	-	WESWU31D8008	INDIVIDUAL BOX	1	for CIS
	-	WESWU31D8108	OPERATING INSTRUCTIONS	1	for CIS

**Model No. : ES-WU11 EXPLODED VIEW**



## Model No. : ES-WU11 Parts List

Safety	Ref. No.	Part No.	Part Name & Description	Q'ty	Remarks
ES-WU11					
	1	WESWU11G7158	PROTECTION CAP	1	for GREEN MODEL
	1	WESWU11P7158	PROTECTION CAP	1	for PINK MODEL
	2	WESWS10W3008	EPILATION FRAME FOR LEGS/ARMS	1	
	3	WESWS20W1068	EPILATION HEAD FOR LEGS/ARMS	1	
	4	WES331B9257	TAPPING SCREW	3	K2-8
	5	WESWU11G3058	HOUSING AB SET	1	for CIS / GREEN MODEL
	5	WESWU11P3058	HOUSING AB SET	1	for EUROPE / PINK MODEL
	6	WESWU11L1008	MOTOR	1	
	7	WESWU11L2148	JACK WITH SWITCH P-PLATE	1	
	8	WES2013W3278	HEAD RELEASE BUTTON W/SPRING	1	
	9	WESWU11H2448	CHASSIS	1	
	10	WESWU11W7661	AC ADAPTOR	1	C-2 PLUG / for CIS
	10	WESWU11W7664	AC ADAPTOR	1	C-2 PLUG / for EUROPE
	11	WES2047H6767	CLEANING BRUSH	1	
	-	WESWU11G8008	INDIVIDUAL BOX	1	for CIS / GREEN MODEL
	-	WESWU11P8008	INDIVIDUAL BOX	1	for EUROPE / PINK MODEL
	-	WESWU11G8108	OPERATING INSTRUCTIONS	1	for CIS / GREEN MODEL
	-	WESWU11P8108	OPERATING INSTRUCTIONS	1	for EUROPE / PINK MODEL