

Service Manual

Epilator

Model No. **ES-WD72**
ES-WD62
ES-WD42

Middle East



Please file and use this manual together with the service manual for Model No. ES-WD71, Order No. PCD0906A61CE.

WARNING

This service information is designed for experienced repair technicians only and is not designed for use by the general public. It does not contain warnings or cautions to advise non-technical individuals of potential dangers in attempting to service a product. Products powered by electricity should be serviced or repaired only by experienced professional technicians. Any attempt to service or repair the product or products dealt with in this service information by anyone else could result in serious injury or death.

IMPORTANT SAFETY NOTICE


There are special components used in this equipment which are important for safety. These parts are marked by  in the Schematic Diagrams, Circuit Board Diagrams, Exploded Views and Replacement Parts List. It is essential that these critical parts should be replaced with manufacturer's specified parts to prevent shock, fire or other hazards. Do not modify the original design without permission of manufacturer.

TABLE OF CONTENTS

	PAGE	PAGE
1 Warning	2	
2 Specifications	2	
3 Exploded View and Replacement Parts List	3	

Panasonic

© Panasonic Corporation, 2012. All rights reserved.
Unauthorized copying and distribution is a violation of law.

1 Warning

Caution:

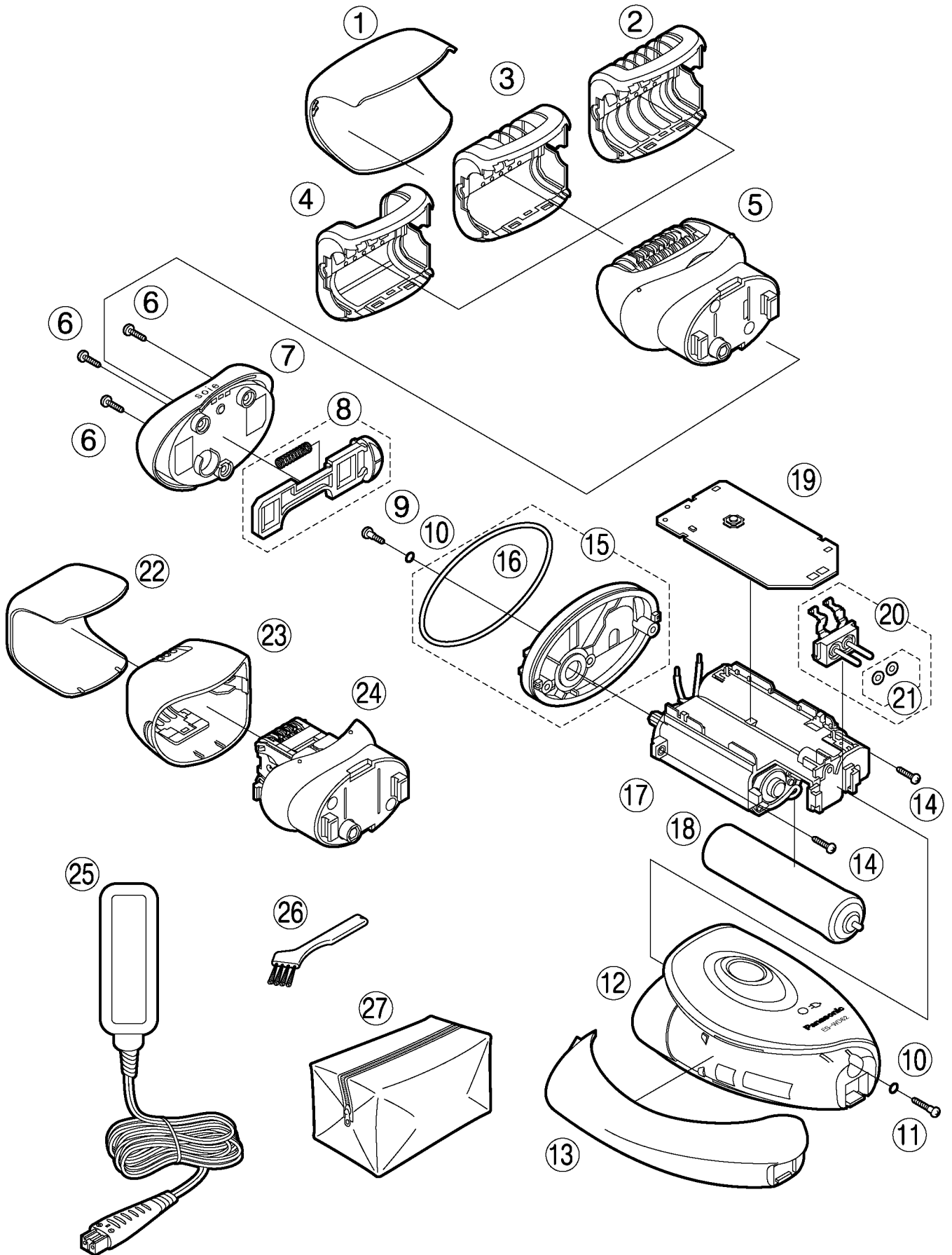
- Pb free solder has a higher melting point than standard solder; Typically the melting point is 50 - 70°F (30 - 40°C) higher. Please use a soldering iron with temperature control and adjust it to 750 ± 20°F (400 ± 10°C). In case of using high temperature soldering iron, please be careful not to heat too long.
- Pb free solder will tend to splash when heated too high (about 1100°F / 600°C).

2 Specifications

Power source	AC 220-240V, 50-60Hz (Automatic voltage conversion)
Charging time	1 Hour
Weight	170g (with epilation head for Legs/Arms and without cap)

Supplied accessories	Soft case
	Cleaning brush

3.3. Exploded View for ES-WD62



3.4. Replacement Parts List for ES-WD62

Safety	Ref. No.	Part No.	Part Name & Description	Quantity	Remarks
	1	WESWD51X7157	PROTECTION CAP	1	
	2	WESWD52A3108	GENTLE CAP	1	
	3	WESWD52A3118	BEGINNER CAP	1	
	4	WESWD52A3128	FAST CAP	1	
	5	WESWD72W1068	EPILATION HEAD FOR LEGS/ARMS	1	
	6	WESWD51L9397	TAPPING SCREW	3	(K2-5)
	7	WESWD52W3368	MOUNTING BASE B	1	
	8	WESWD92H3278	HEAD RELEASE BUTTON	1	
	9	WES2047S9707	SCREW	1	(K2-8)
	10	WER504L0966	O-RING	2	(2PCS/PK)
	11	WES701S9706	SCREW	1	(K2-12)
	12	WESWD62A3058	HOUSING	1	
	13	WESWD92W3378	SIDE PANEL	1	
	14	WES331B9257	TAPPING SCREW	2	(K2-8)
	15	WESWD92L0498	MOUNTING BASE A	1	
	16	WES2067L0997	HOUSING O-RING	1	
	17	WESWD94L1008	MOTOR ASSEMBLY	1	
	18	WESWD70L2508	RECHARGEABLE BATTERY	1	Li-ion TYPE
	19	WESWD92L2108	MODULE	1	
	20	WESWD51L2157	PLUG CHASSIS	1	
	21	WES2047L0327	O-RING A	2	(2PCS/PK)
	22	WESWD70X7158	PROTECTION CAP	1	
	23	WESWD72W3128	EPILATION HEAD FRAME	1	
	24	WESWD92W1078	EPILATION HEAD FOR UNDERARMS	1	
	25	WESWD71W7674	POWER ADAPTOR	1	BF-3 PLUG
	26	WES2047H6767	CLEANING BRUSH	1	
	27	WESWD70S7008	SOFT CASE	1	
	-	WESWD62A8008	INDIVIDUAL PACKAGE	1	
	-	WESWD62A8108	OPERATING INSTRUCTIONS	1	