

# Service Manual

Epilator



Model No. **ES-WD92**  
**ES-WD72**  
**ES-WD52**  
**ES-WD42**  
**ES-WD22**

Europe



Please file and use this manual together with the service manual for Model No. ES-WD70, ES-WD60 and ES-WD10, Order No. PCD0902E60CE.

### **WARNING**

This service information is designed for experienced repair technicians only and is not designed for use by the general public. It does not contain warnings or cautions to advise non-technical individuals of potential dangers in attempting to service a product. Products powered by electricity should be serviced or repaired only by experienced professional technicians. Any attempt to service or repair the product or products dealt with in this service information by anyone else could result in serious injury or death.

### **IMPORTANT SAFETY NOTICE**

There are special components used in this equipment which are important for safety. These parts are marked by in the Schematic Diagrams, Circuit Board Diagrams, Exploded Views and Replacement Parts List. It is essential that these critical parts should be replaced with manufacturer's specified parts to prevent shock, fire or other hazards. Do not modify the original design without permission of manufacturer.

## TABLE OF CONTENTS

	PAGE		PAGE
1 Warning-----	2		
2 Specifications-----	2		
3 Exploded View and Replacement Parts List-----	3		

# Panasonic

© Panasonic Electric Works Co., Ltd. 2010.  
 All rights reserved. Unauthorized copying and distribution is a violation of law.

# 1 Warning

## Caution:

- Pb free solder has a higher melting point than standard solder; Typically the melting point is 50 - 70°F (30 - 40°C) higher. Please use a soldering iron with temperature control and adjust it to 750 ± 20°F (400 ± 10°C). In case of using high temperature soldering iron, please be careful not to heat too long.
- Pb free solder will tend to splash when heated too high (about 1100°F / 600°C).

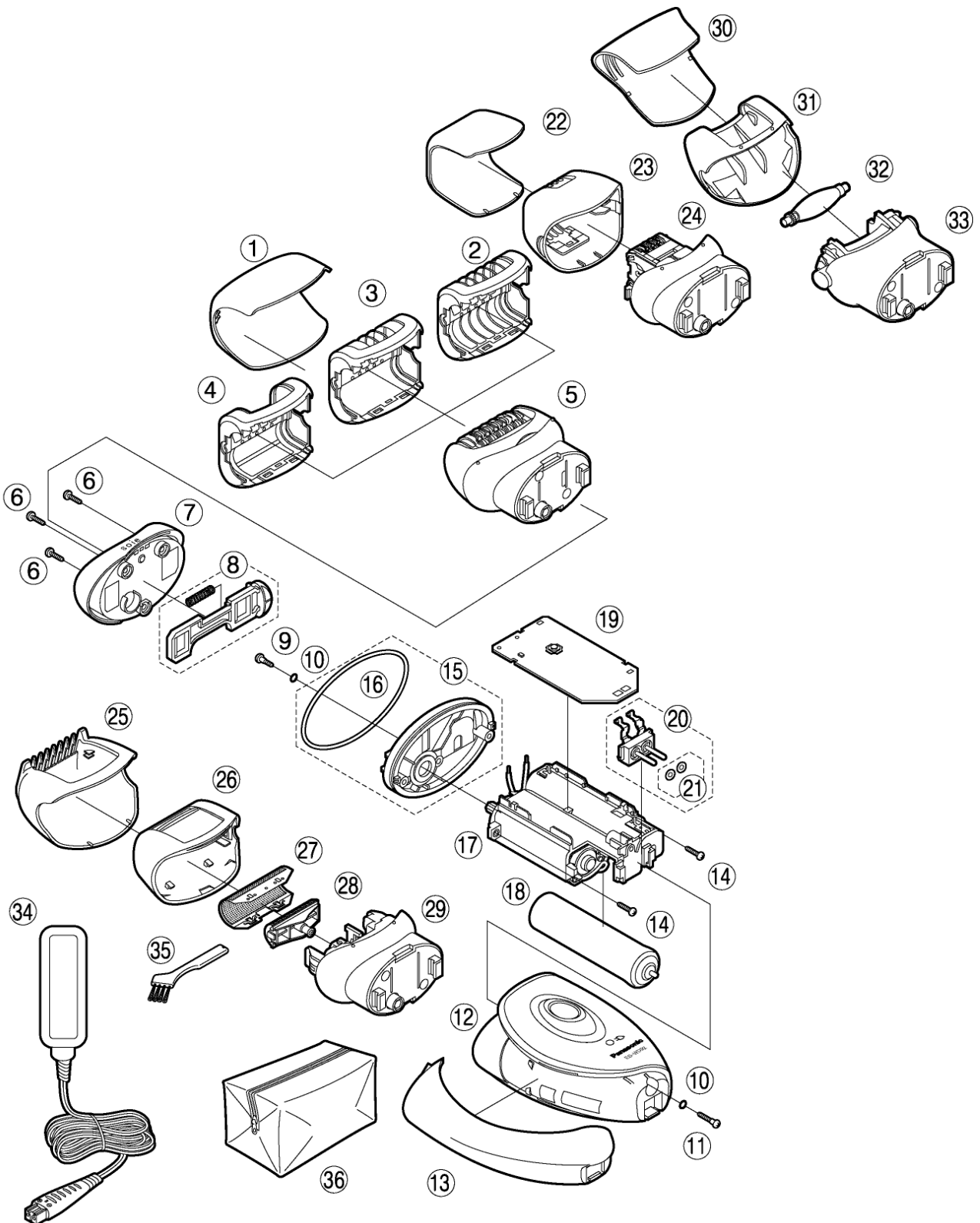
# 2 Specifications

Power source	AC 100-240V, 50-60Hz (Automatic voltage conversion)
Charging time	1 Hour
Weight	170g (with epilation head for Legs/Arms and without cap)

Supplied accessories	Soft case
	Cleaning brush

# 3 Exploded View and Replacement Parts List

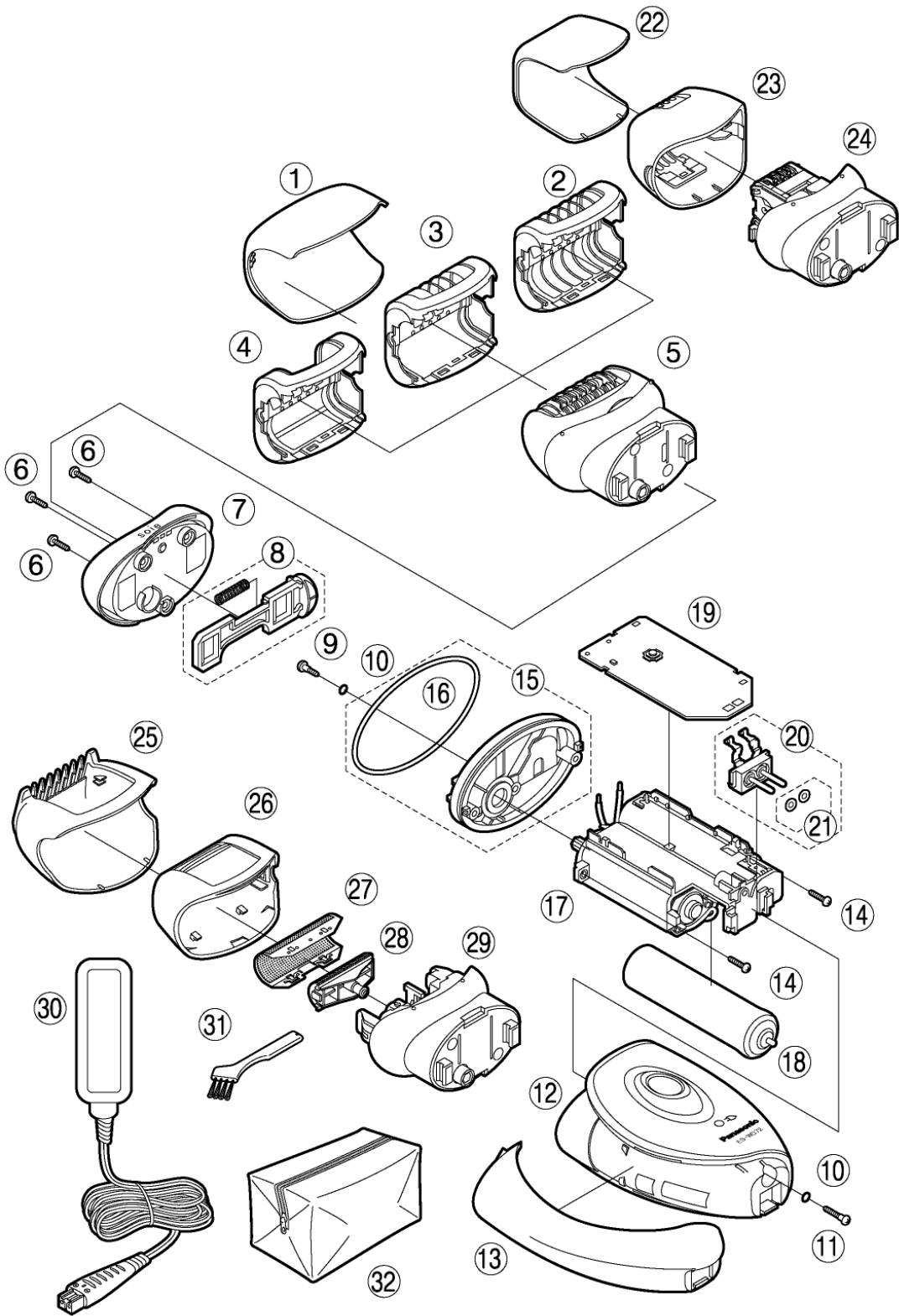
Model No. : ES-WD92 Exploded View for ES-WD92



## Model No. : ES-WD92 Parts List

Safety	Ref. No.	Part No.	Part Name & Description	Q'ty	Remarks
ES-WD92					
	1	WESWD51X7157	PROTECTION CAP	1	
	2	WESWD92G3108	GENTLE CAP	1	
	3	WESWD92G3118	BEGINNER CAP	1	
	4	WESWD92G3128	FAST CAP	1	
	5	WESWD92W1068	EPILATION HEAD FOR LEGS/ARMS	1	
	6	WESWD51L9397	TAPPING SCREW	3	(K2-5)
	7	WESWD92W3368	MOUNTING BASE B	1	
	8	WESWD92H3278	HEAD RELEASE BUTTON	1	
	9	WES2047S9707	SCREW	1	(K2-8)
	10	WER504L0966	O-RING	2	(2PCS/PK)
	11	WES701S9706	SCREW	1	(K2-12)
	12	WESWD92G3058	HOUSING	1	
	13	WESWD92W3378	SIDE PANEL	1	
	14	WES331B9257	TAPPING SCREW	2	(K2-8)
	15	WESWD92L0498	MOUNTING BASE A	1	
	16	WES2067L0997	HOUSING O-RING	1	
	17	WESWD92L1008	MOTOR ASSEMBLY	1	
	18	WESWD70L2508	RECHARGEABLE BATTERY	1	(Li-ion TYPE)
	19	WESWD92L2108	MODULE	1	
	20	WESWD51L2157	PLUG CHASSIS	1	
	21	WES2047L0327	O-RING A	2	(2PCS/PK)
	22	WESWD70X7158	PROTECTION CAP	1	
	23	WESWD92W3128	EPILATION HEAD FRAME	1	
	24	WESWD92W1078	EPILATION HEAD FOR UNDERARMS	1	
	25	WESWD51X3557	BIKINI COMB	1	
	26	WESWD92W4038	FOIL FRAME	1	
	27	WES9753Y	OUTER FOIL	1	
	28	WES9752Y	INNER BLADE	1	
	29	WESWD51W0787	SHAVER HEAD	1	
	30	WESWD92X7158	PROTECTION CAP	1	
	31	WESWD92W3138	FOOT CARE HEAD FRAME	1	
	32	WESWD92H7178	FILE	1	
	33	WESWD92W4068	FILE HEAD	1	
	34	WESWD70W7661	POWER ADAPTOR	1	(C-2 PLUG)
	35	WES2047H6767	CLEANING BRUSH	1	
	36	WESWD70S7008	SOFT CASE	1	
	-	WESWD92G8008	INDIVIDUAL PACKAGE	1	
	-	WESWD92G8108	OPERATING INSTRUCTIONS	1	

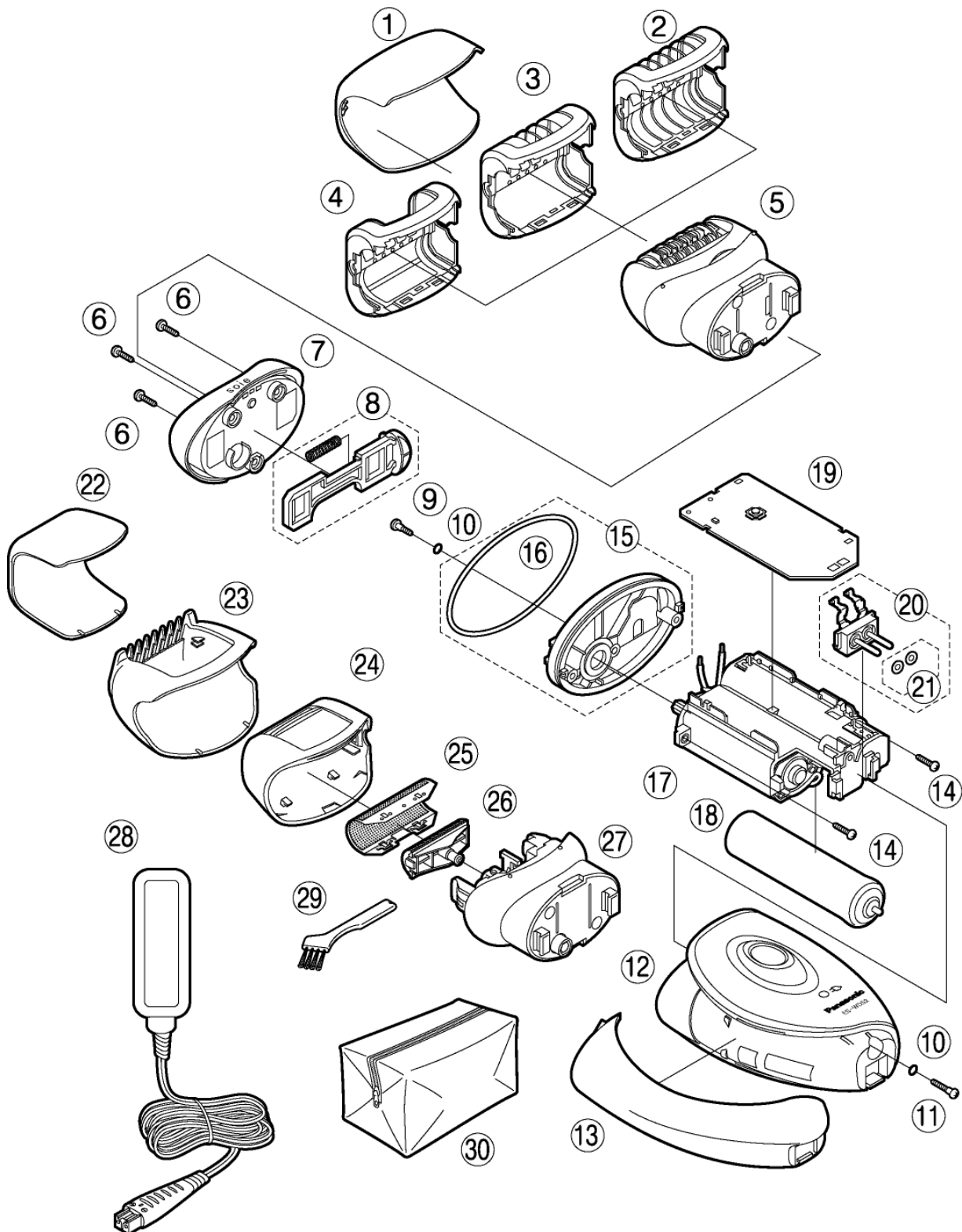
Model No. : ES-WD72 Exploded View for ES-WD72



## Model No. : ES-WD72 Parts List

Safety	Ref. No.	Part No.	Part Name & Description	Q'ty	Remarks
ES-WD72					
	1	WESWD51X7157	PROTECTION CAP	1	
	2	WESWD88P3107	GENTLE CAP	1	
	3	WESWD72P3118	BEGINNER CAP	1	
	4	WESWD72P3128	FAST CAP	1	
	5	WESWD72W1068	EPILATION HEAD FOR LEGS/ARMS	1	
	6	WESWD51L9397	TAPPING SCREW	3	(K2-5)
	7	WESWD72W3368	MOUNTING BASE B	1	
	8	WESWD92H3278	HEAD RELEASE BUTTON	1	
	9	WES2047S9707	SCREW	1	(K2-8)
	10	WER504L0966	O-RING	2	(4PCS/PK)
	11	WES701S9706	SCREW	1	(K2-12)
	12	WESWD72P3058	HOUSING	1	
	13	WESWD92W3378	SIDE PANEL	1	
	14	WES331B9257	TAPPING SCREW	2	(K2-8)
	15	WESWD92L0498	MOUNTING BASE A	1	
	16	WES2067L0997	HOUSING O-RING	1	
	17	WESWD92L1008	MOTOR ASSEMBLY	1	
	18	WESWD70L2508	RECHARGEABLE BATTERY	1	(Li-ion TYPE)
	19	WESWD92L2108	MODULE	1	
	20	WESWD51L2157	PLUG CHASSIS	1	
	21	WES2047L0327	O-RING A	2	(2PCS/PK)
	22	WESWD70X7158	PROTECTION CAP	1	
	23	WESWD72W3128	EPILATION HEAD FRAME	1	
	24	WESWD92W1078	EPILATION HEAD FOR UNDERARMS	1	
	25	WESWD51X3557	BIKINI COMB	1	
	26	WESWD51W4037	FOIL FRAME	1	
	27	WES9753Y	OUTER FOIL	1	
	28	WES9752Y	INNER BLADE	1	
	29	WESWD51W0787	SHAVER HEAD	1	
	30	WESWD72W7664	POWER ADAPTOR	1	(C-2 PLUG)
	30	WESWD70W7660	POWER ADAPTOR	1	(BF-3 PLUG)
	31	WES2047H6767	CLEANING BRUSH	1	
	32	WESWD92H7008	SOFT CASE	1	
	-	WESWD72P8008	INDIVIDUAL PACKAGE	1	
	-	WESWD72P8009	INDIVIDUAL PACKAGE	1	(only for U.K.)
	-	WESWD72P8108	OPERATING INSTRUCTIONS	1	

Model No. : ES-WD52 Exploded View for ES-WD52

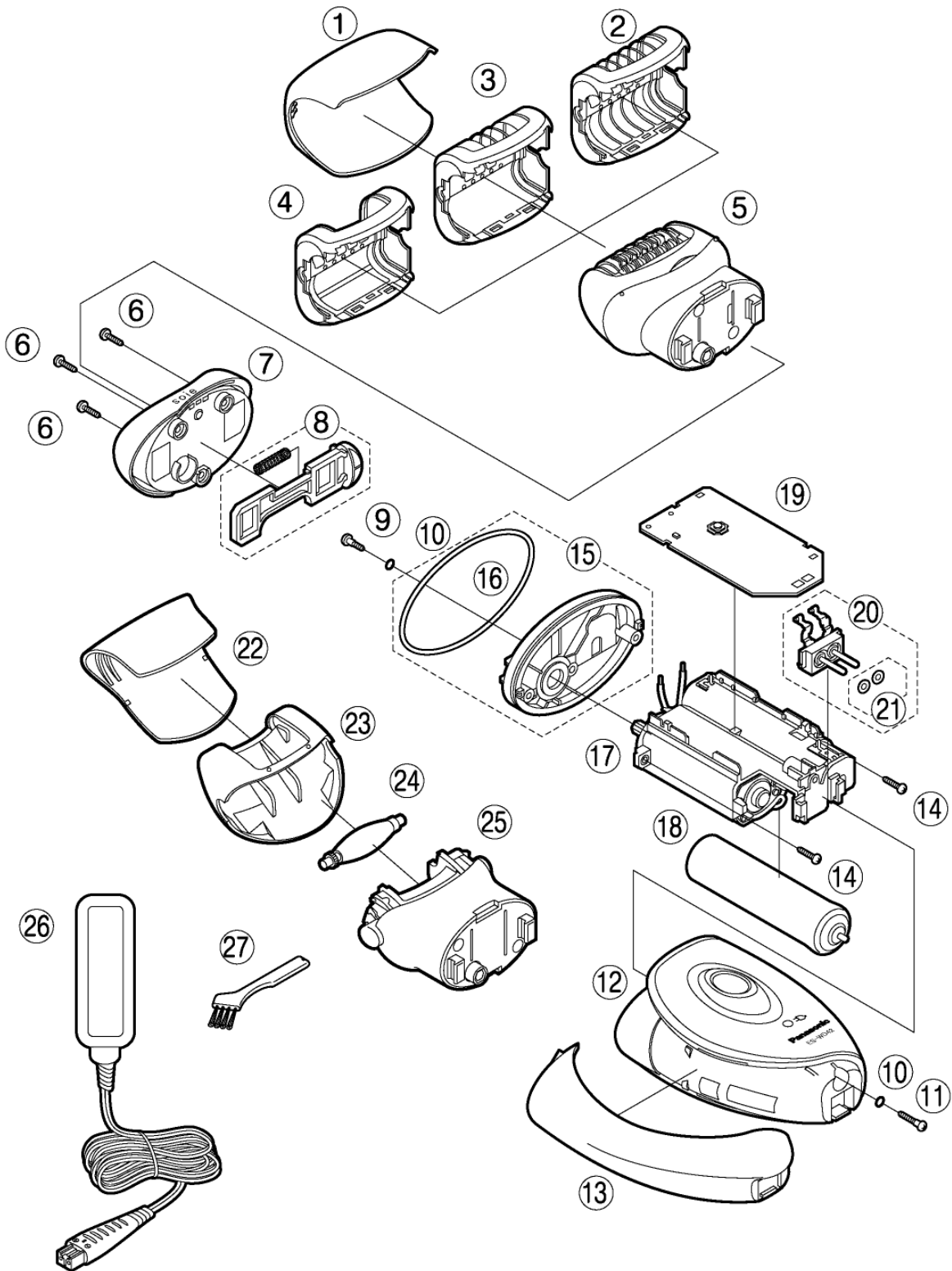


## Model No. : ES-WD52 Parts List

Safety	Ref. No.	Part No.	Part Name & Description	Q'ty	Remarks
ES-WD52					
	1	WESWD51X7157	PROTECTION CAP	1	
	2	WESWD52A3108	GENTLE CAP	1	
	3	WESWD52A3118	BEGINNER CAP	1	
	4	WESWD52A3128	FAST CAP	1	
	5	WESWD72W1068	EPILATION HEAD FOR LEGS/ARMS	1	
	6	WESWD51L9397	TAPPING SCREW	3	(K2-5)
	7	WESWD52W3368	MOUNTING BASE B	1	
	8	WESWD92H3278	HEAD RELEASE BUTTON	1	
	9	WES2047S9707	SCREW	1	(K2-8)
	10	WER504L0966	O-RING	2	(2PCS/PK)
	11	WES701S9706	SCREW	1	(K2-12)
	12	WESWD52A3058	HOUSING	1	
	13	WESWD92W3378	SIDE PANEL	1	
	14	WES331B9257	TAPPING SCREW	2	(K2-8)
	15	WESWD92L0498	MOUNTING BASE A	1	
	16	WES2067L0997	HOUSING O-RING	1	
	17	WESWD92L1008	MOTOR ASSEMBLY	1	
	18	WESWD70L2508	RECHARGEABLE BATTERY	1	(Li-ion TYPE)
	19	WESWD92L2108	MODULE	1	
	20	WESWD51L2157	PLUG CHASSIS	1	
	21	WES2047L0327	O-RING A	2	(2PCS/PK)
	22	WESWD70X7158	PROTECTION CAP	1	
	23	WESWD51X3557	BIKINI COMB	1	
	24	WESWD51W4037	FOIL FRAME	1	
	25	WES9753Y	OUTER FOIL	1	
	26	WES9752Y	INNER BLADE	1	
	27	WESWD51W0787	SHAVER HEAD	1	
	28	WESWD72W7664	POWER ADAPTOR	1	(C-2 PLUG)
	28	WESWD70W7660	POWER ADAPTOR	1	(BF-3 PLUG)
	29	WES2047H6767	CLEANING BRUSH	1	
	30	WESWD92H7008	SOFT CASE	1	
	-	WESWD52A8008	INDIVIDUAL PACKAGE	1	
	-	WESWD52A8009	INDIVIDUAL PACKAGE	1	(only for U.K.)
	-	WESWD52A8108	OPERATING INSTRUCTIONS	1	



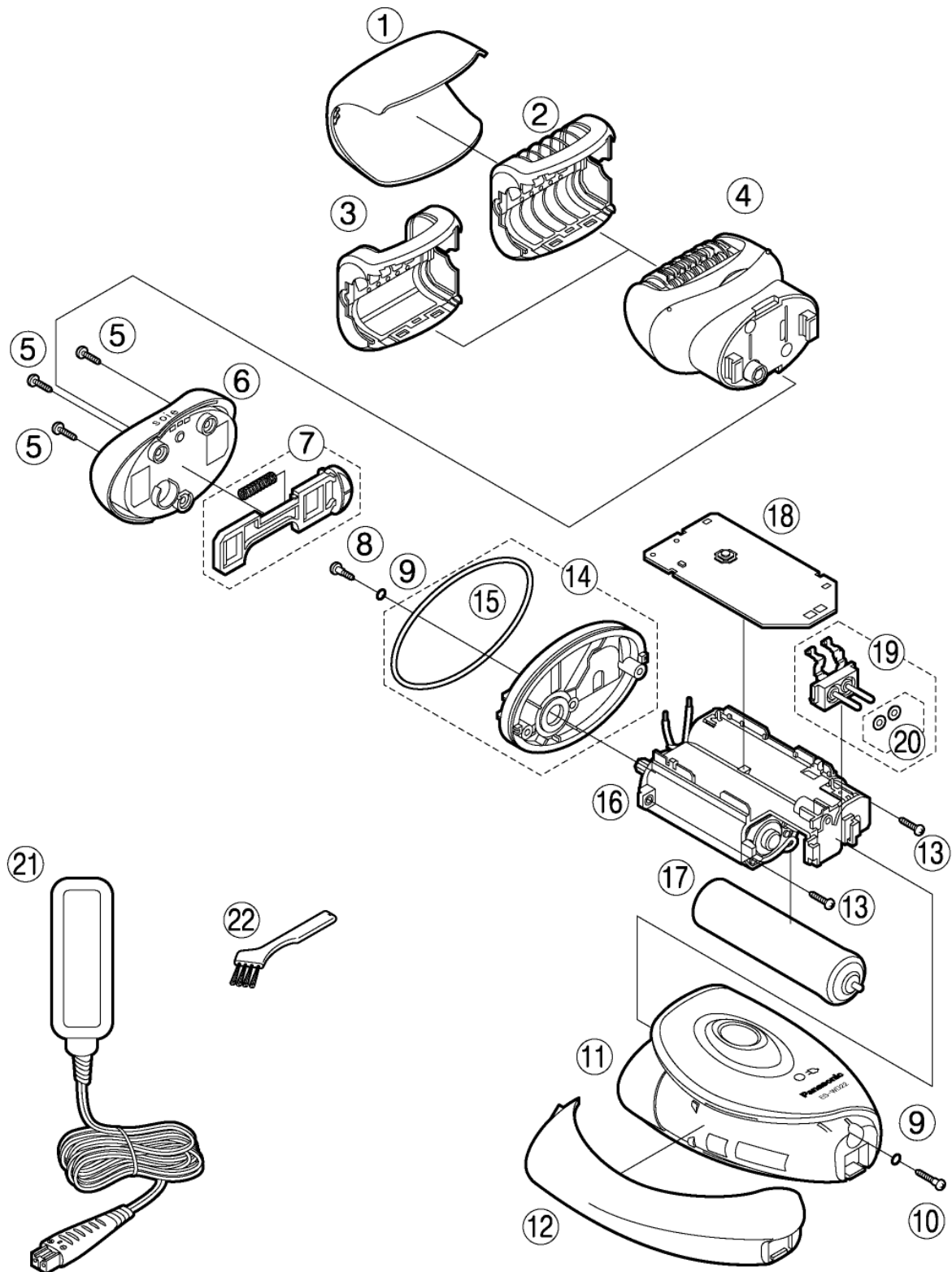
Model No. : ES-WD42 Exploded View for ES-WD42



## Model No. : ES-WD42 Parts List

Safety	Ref. No.	Part No.	Part Name & Description	Q'ty	Remarks
ES-WD42					
	1	WESWD51X7157	PROTECTION CAP	1	
	2	WESWD92G3108	GENTLE CAP	1	
	3	WESWD92G3118	BEGINNER CAP	1	
	4	WESWD92G3128	FAST CAP	1	
	5	WESWD92W1068	EPILATION HEAD FOR LEGS/ARMS	1	
	6	WESWD51L9397	TAPPING SCREW	3	(K2-5)
	7	WESWD42W3368	MOUNTING BASE B	1	
	8	WESWD92H3278	HEAD RELEASE BUTTON	1	
	9	WES2047S9707	SCREW	1	(K2-8)
	10	WER504L0966	O-RING	2	(2PCS/PK)
	11	WES701S9706	SCREW	1	(K2-12)
	12	WESWD42G3058	HOUSING	1	
	13	WESWD92W3378	SIDE PANEL	1	
	14	WES331B9257	TAPPING SCREW	2	(K2-8)
	15	WESWD92L0498	MOUNTING BASE A	1	
	16	WES2067L0997	HOUSING O-RING	1	
	17	WESWD92L1008	MOTOR ASSEMBLY	1	
	18	WESWD70L2508	RECHARGEABLE BATTERY	1	(Li-ion TYPE)
	19	WESWD92L2108	MODULE	1	
	20	WESWD51L2157	PLUG CHASSIS	1	
	21	WES2047L0327	O-RING A	2	(2PCS/PK)
	22	WESWD92X7158	PROTECTION CAP	1	
	23	WESWD92W3138	FOOT CARE HEAD FRAME	1	
	24	WESWD92H7178	FILE	1	
	25	WESWD92W4068	FILE HEAD	1	
	26	WESWD72W7664	POWER ADAPTOR	1	(C-2 PLUG)
	26	WESWD70W7660	POWER ADAPTOR	1	(BF-3 PLUG)
	27	WES2047H6767	CLEANING BRUSH	1	
	-	WESWD42G8008	INDIVIDUAL PACKAGE	1	
	-	WESWD42G8009	INDIVIDUAL PACKAGE	1	(only for U.K.)
	-	WESWD42G8108	OPERATING INSTRUCTIONS	1	

Model No. : ES-WD22 Exploded View for ES-WD22



## Model No. : ES-WD22 Parts List

Safety	Ref. No.	Part No.	Part Name & Description	Q'ty	Remarks
ES-WD22					
	1	WESWD51X7157	PROTECTION CAP	1	
	2	WESWD22V3108	GENTLE CAP	1	
	3	WESWD22V3128	FAST CAP	1	
	4	WESWD72W1068	EPILATION HEAD FOR LEGS/ARMS	1	
	5	WESWD51L9397	TAPPING SCREW	3	(K2-5)
	6	WESWD22W3368	MOUNTING BASE B	1	
	7	WESWD92H3278	HEAD RELEASE BUTTON	1	
	8	WES2047S9707	SCREW	1	(K2-8)
	9	WER504L0966	O-RING	2	(2PCS/PK)
	10	WES701S9706	SCREW	1	(K2-12)
	11	WESWD22V3058	HOUSING	1	
	12	WESWD92W3378	SIDE PANEL	1	
	13	WES331B9257	TAPPING SCREW	2	(K2-8)
	14	WESWD92L0498	MOUNTING BASE A	1	
	15	WES2067L0997	HOUSING O-RING	1	
	16	WESWD92L1008	MOTOR ASSEMBLY	1	
	17	WESWD70L2508	RECHARGEABLE BATTERY	1	(Li-ion TYPE)
	18	WESWD92L2108	MODULE	1	
	19	WESWD51L2157	PLUG CHASSIS	1	
	20	WES2047L0327	O-RING A	2	(2PCS/PK)
	21	WESWD72W7664	POWER ADAPTOR	1	(C-2 PLUG)
	22	WES2047H6767	CLEANING BRUSH	1	
	-	WESWD22V8008	INDIVIDUAL PACKAGE	1	
	-	WESWD22V8108	OPERATING INSTRUCTIONS	1	