

Service Manual

Epilator

**Model No. ES-EU20
ES-EU10**

Europe
CIS



⚠ WARNING

This service information is designed for experienced repair technicians only and is not designed for use by the general public. It does not contain warnings or cautions to advise non-technical individuals of potential dangers in attempting to service a product. Products powered by electricity should be serviced or repaired only by experienced professional technicians. Any attempt to service or repair the product or products dealt with in this service information by anyone else could result in serious injury or death.

IMPORTANT SAFETY NOTICE

There are special components used in this equipment which are important for safety. These parts are marked by ⚠ in the Schematic Diagrams, Circuit Board Diagrams, Exploded Views and Replacement Parts List. It is essential that these critical parts should be replaced with manufacturer's specified parts to prevent shock, fire or other hazards. Do not modify the original design without permission of manufacturer.

TABLE OF CONTENTS

	PAGE	PAGE
1 Warning-----	2	
2 Specifications -----	2	
3 Troubleshooting Guide-----	3	
4 Schematic Diagram-----	4	
5 Exploded View and Replacement Parts List -----	5	

Panasonic

© Panasonic Corporation, 2013. All rights reserved. Unauthorized copying and distribution is a violation of law.

1 Warning

Caution:

- Pb free solder has a higher melting point than standard solder; Typically the melting point is 50 - 70°F (30 - 40°C) higher. Please use a soldering iron with temperature control and adjust it to 750 ± 20°F (400 ± 10°C). In case of using high temperature soldering iron, please be careful not to heat too long.
- Pb free solder will tend to splash when heated too high (about 1100°F / 600°C).

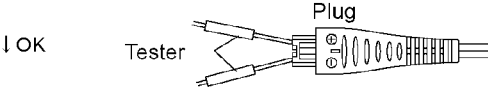
2 Specifications

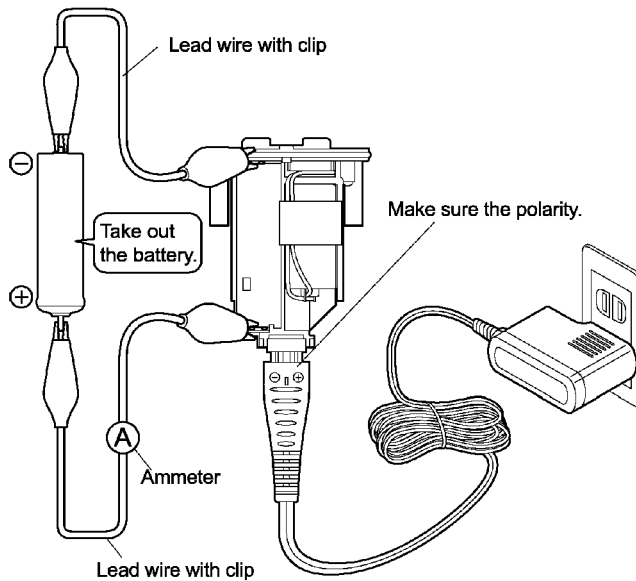
Power source	220-240V AC, 50-60Hz
Charging time	15 hour (for 220V AC), 12 hours (for 230V or 240V AC)
Dimension	12.6 (H) X 5.8 (W) X 4.3 (D) cm
Weight	Approx. 170g with Epilation head for underarms without Cap
Supplied accessory	Cleaning brush

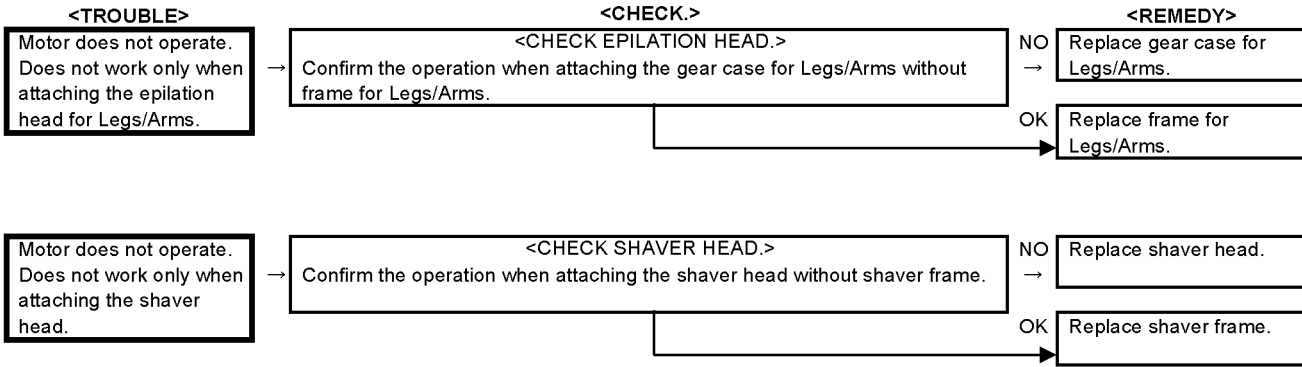
3 Troubleshooting Guide

3.1. CHECK MAIN BODY AND ADAPTOR

NOTE: When charging, the unit does not operate even switching ON.

<TROUBLE>	<CHECK.>	<REMEDY>
Motor does not operate. Does not work without attaching the epilation head or shaver head. Does not charge. Does not light the charging indication lamp.	<CHECK CHARGING ADAPTOR.> Connect to rated voltage with the charging adaptor. OK if it is approximately AC3.2±0.2V for 240V, AC3.06±0.2V for 230V or 2.93±0.2V for 220V. <div style="text-align: center;">  <p>↓ OK</p> </div>	NO → Replace charging adaptor.
↓ OK		
<CHECK MOTOR.>		
The motor should turn when 1.2V DC is applied to terminals.		
↓ OK		
<CHECK RECHARGEABLE BATTERY.>		
Okay if the voltage of fully charged battery is more than approximately 1.2V DC between (+) and (-) terminals.		
↓ OK		
<CHECK MODULE.>		
Replace the battery and connect the rated voltage with switch OFF position after 1 minute charging. Check charging current, if it is approximately 105 ± 15mA for AC240V, 95±15mA for AC230V or 85 ± 15mA for AC220V.		
		NO → Repair soldering parts. NO → Replace module.

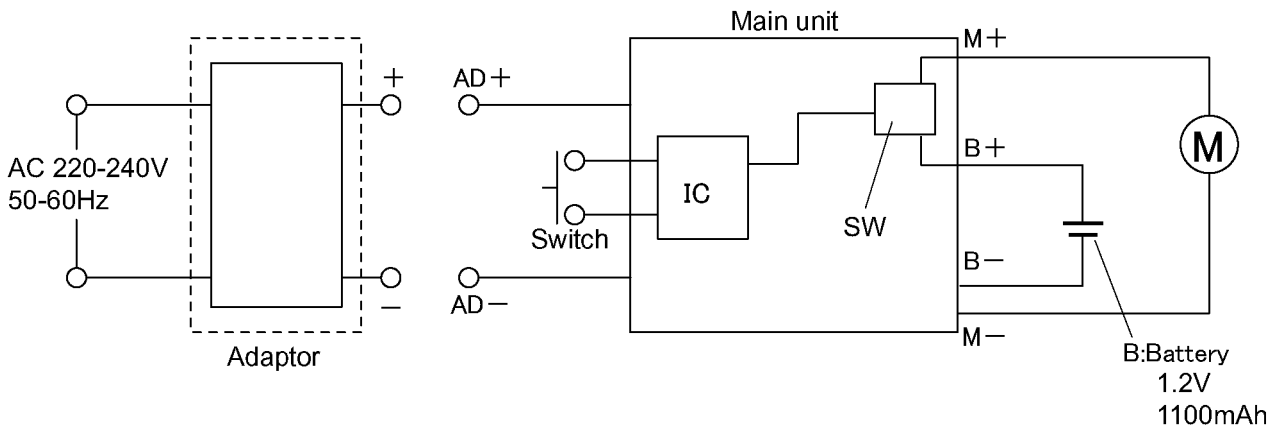




3.2. CHECK MAIN BODY AND ADAPTOR

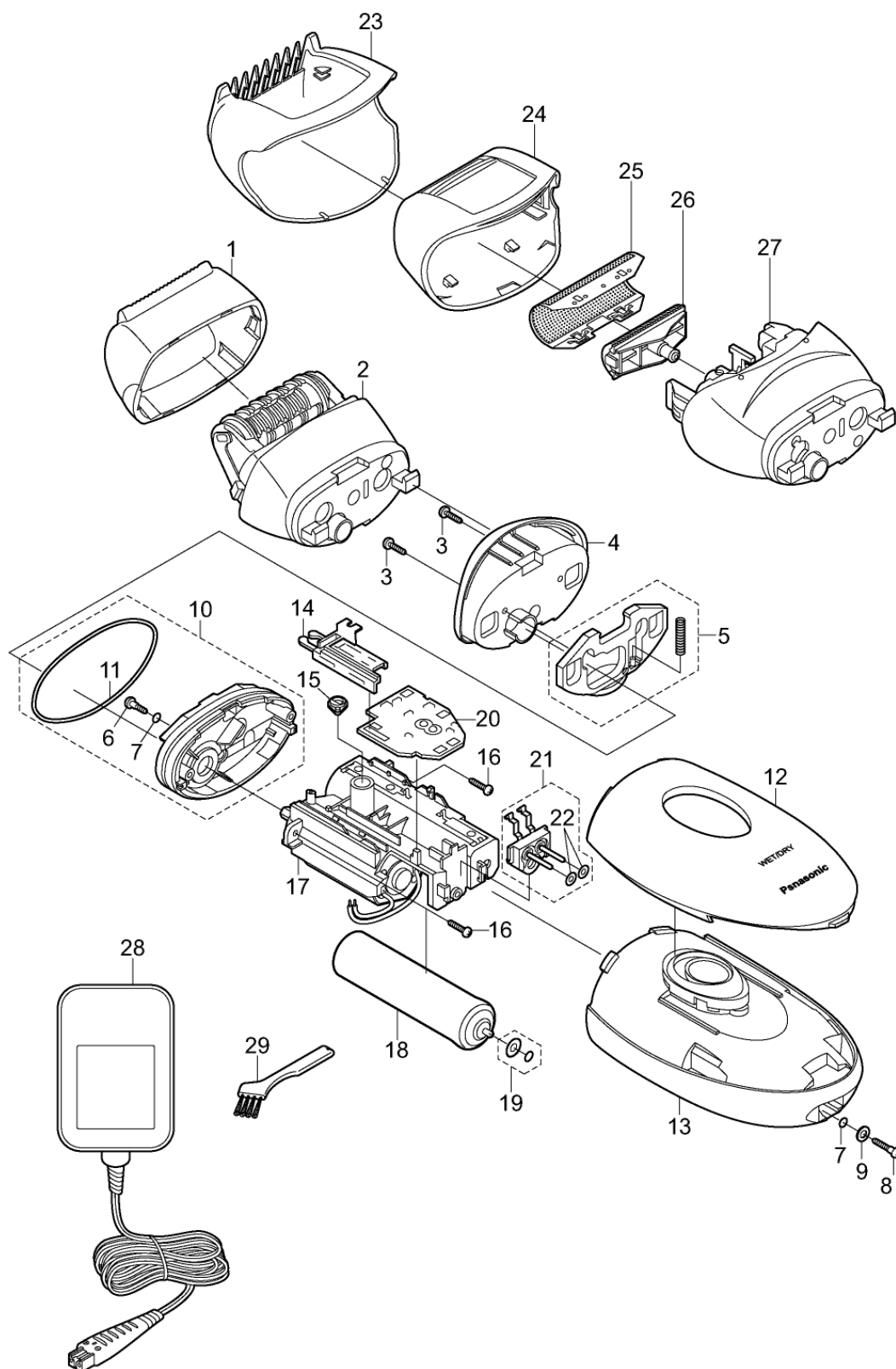
1. Confirm the smooth operation when switching ON and OFF.
2. Confirm if the motor and disc may rotate when holding the disc slightly.
3. Confirm if there is no dirt or scratch.
4. Confirm if the main unit may operate approximately 25 minutes after fully charging.

4 Schematic Diagram



5 Exploded View and Replacement Parts List

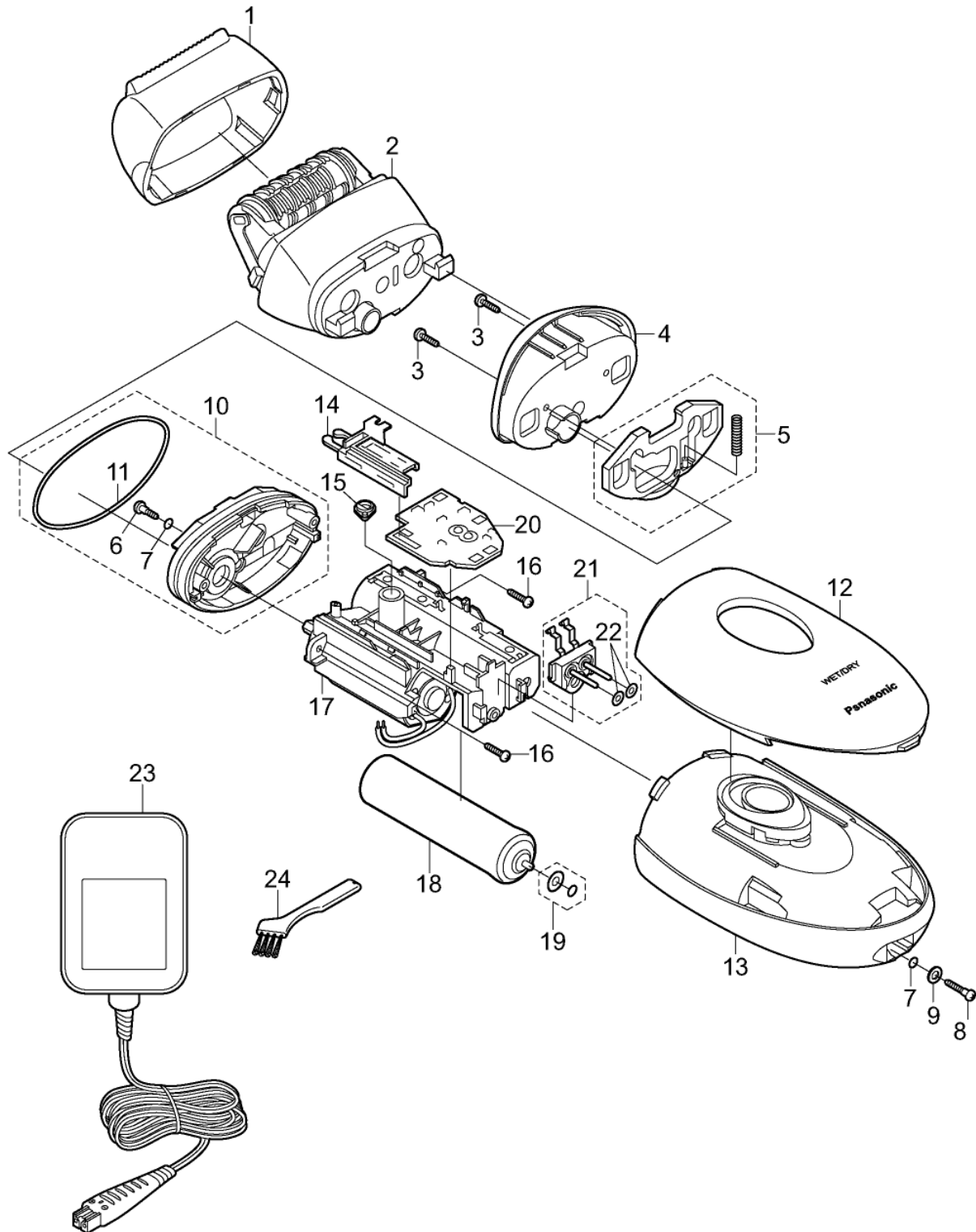
Model No. : ES-EU20 Exploded View



Model No. : ES-EU20 Parts List

Safety	Ref. No.	Part No.	Part Name & Description	Q'ty	Remarks
ES-EU20					
	1	WESEU20W3128	FRAME	1	
	2	WESEU20W1068	EPILATION HEAD FOR LEGS/ARMS	1	
	3	WESWD51L9397	TAPPING SCREW	3	K2-5
	4	WESEU20W3368	MOUNTING BASE B	1	
	5	WESEU20W3278	HEAD RELEASE BUTTON	1	
	6	WES2047S9707	SCREW	1	K2-8
	7	WER504L0966	O-RING	2	(2PCS/PK)
	8	WES701S9706	SCREW	1	K2-12
	9	WESWD94L6118	WASHER	1	
	10	WESEU20L0498	MOUNTING BASE A	1	
	11	WES2067L0997	HOUSING O-RING	1	
	12	WESEU20P3378	FRONT PANEL	1	
	13	WESEU20P3058	HOUSING	1	
	13	WESEU20P3059	HOUSING	1	only for CIS
	14	WESEU20L1558	SWITCH CONNECTING PLATE	1	
	15	WESEU20L1668	SWITCH CAM	1	
	16	WES331B9257	TAPPING SCREW	2	K2-8
	17	WESEU20L1008	MOTOR ASSEMBLY	1	
	18	WESSL41L2508	RECHARGEABLE BATTERY	1	Ni-Mh TYPE
	19	WESEU20L0978	WASHER & O-RING SET	1	
	20	WESEU20L2108	MODULE	1	
	21	WESED90L2158	PLUG CHASSIS	1	
	22	WES2047L0327	O-RING A	2	(2PCS/PK)
	23	WESWD51X3557	BIKINI COMB	1	
	24	WESED70W4038	FOIL FRAME	1	
	25	WES9753Y	OUTER FOIL	1	
	26	WES9752Y	INNER BLADE	1	
	27	WESED90W0788	SHAVER HEAD	1	
	28	WESEU20W7661	POWER ADAPTOR	1	C-2 PLUG (only for CIS)
	28	WESEU20W7664	POWER ADAPTOR	1	C-2 PLUG
	28	WESEU20W7660	POWER ADAPTOR	1	BF3 PLUG
	29	WES2047H6767	CLEANING BRUSH	1	
	-	WESEU20P8008	INDIVIDUAL BOX	1	
	-	WESEU20P8009	INDIVIDUAL BOX	1	only for CIS
	-	WESEU20P8000	INDIVIDUAL BOX	1	only for U.K.
	-	WESEU20P8108	OPERATING INSTRUCTIONS	1	
	-	WESEU20P8109	OPERATING INSTRUCTIONS	1	only for CIS

Model No. : ES-EU10 Exploded View



Model No. : ES-EU10 Parts List

Safety	Ref. No.	Part No.	Part Name & Description	Q'ty	Remarks
ES-EU10					
	1	WESEU20W3128	FRAME	1	
	2	WESEU20W1068	EPILATION HEAD FOR LEGS/ARMS	1	
	3	WESWD51L9397	TAPPING SCREW	3	K2-5
	4	WESEU20W3368	MOUNTING BASE B	1	
	5	WESEU20W3278	HEAD RELEASE BUTTON	1	
	6	WES2047S9707	SCREW	1	K2-8
	7	WER504L0966	O-RING	2	(2PCS/PK)
	8	WES701S9706	SCREW	1	K2-12
	9	WESWD94L6118	WASHER	1	
	10	WESEU20L0498	MOUNTING BASE A	1	
	11	WES2067L0997	HOUSING O-RING	1	
	12	WESEU10P3378	FRONT PANEL	1	
	13	WESEU10P3058	HOUSING	1	P503
	13	WESEU10P3059	HOUSING	1	only for U.K.
	13	WESEU10P3050	HOUSING	1	only for CIS
	14	WESEU20L1558	SWITCH CONNECTING PLATE	1	
	15	WESEU20L1668	SWITCH CAM	1	
	16	WES331B9257	TAPPING SCREW	2	K2-8
	17	WESEU20L1008	MOTOR ASSEMBLY	1	
	18	WESSL41L2508	RECHARGEABLE BATTERY	1	Ni-Mh TYPE
	19	WESEU20L0978	WASHER & O-RING SET	1	
	20	WESEU20L2108	MODULE	1	
	21	WESED90L2158	PLUG CHASSIS	1	
	22	WES2047L0327	O-RING A	2	(2PCS/PK)
	23	WESEU20W7661	POWER ADAPTOR	1	C-2 PLUG (only for CIS)
	23	WESEU20W7664	POWER ADAPTOR	1	C-2 PLUG
	23	WESEU20W7660	POWER ADAPTOR	1	BF3 PLUG
	24	WES2047H6767	CLEANING BRUSH	1	
	-	WESEU10P8008	INDIVIDUAL BOX	1	
	-	WESEU10P8009	INDIVIDUAL BOX	1	only for CIS
	-	WESEU10P8000	INDIVIDUAL BOX	1	only for U.K.
	-	WESEU20P8108	OPERATING INSTRUCTIONS	1	
	-	WESEU20P8109	OPERATING INSTRUCTIONS	1	only for CIS