

# Service Manual

Epilator

Model No. **ES-ED92**  
**ES-ED22**

EUROPE



*Simplified*




Please file and use this manual together with the service manual for Model No.ES-ED90/ES-ED70/ES-ED50/ES-ED20, Order No.PCD1301X30CE.

## WARNING

This service information is designed for experienced repair technicians only and is not designed for use by the general public. It does not contain warnings or cautions to advise non-technical individuals of potential dangers in attempting to service a product. Products powered by electricity should be serviced or repaired only by experienced professional technicians. Any attempt to service or repair the product or products dealt with in this service information by anyone else could result in serious injury or death.

## IMPORTANT SAFETY NOTICE

There are special components used in this equipment which are important for safety. These parts are marked by  in the Schematic Diagrams, Circuit Board Diagrams, Exploded Views and Replacement Parts List. It is essential that these critical parts should be replaced with manufacturer's specified parts to prevent shock, fire or other hazards. Do not modify the original design without permission of manufacturer.

## TABLE OF CONTENTS

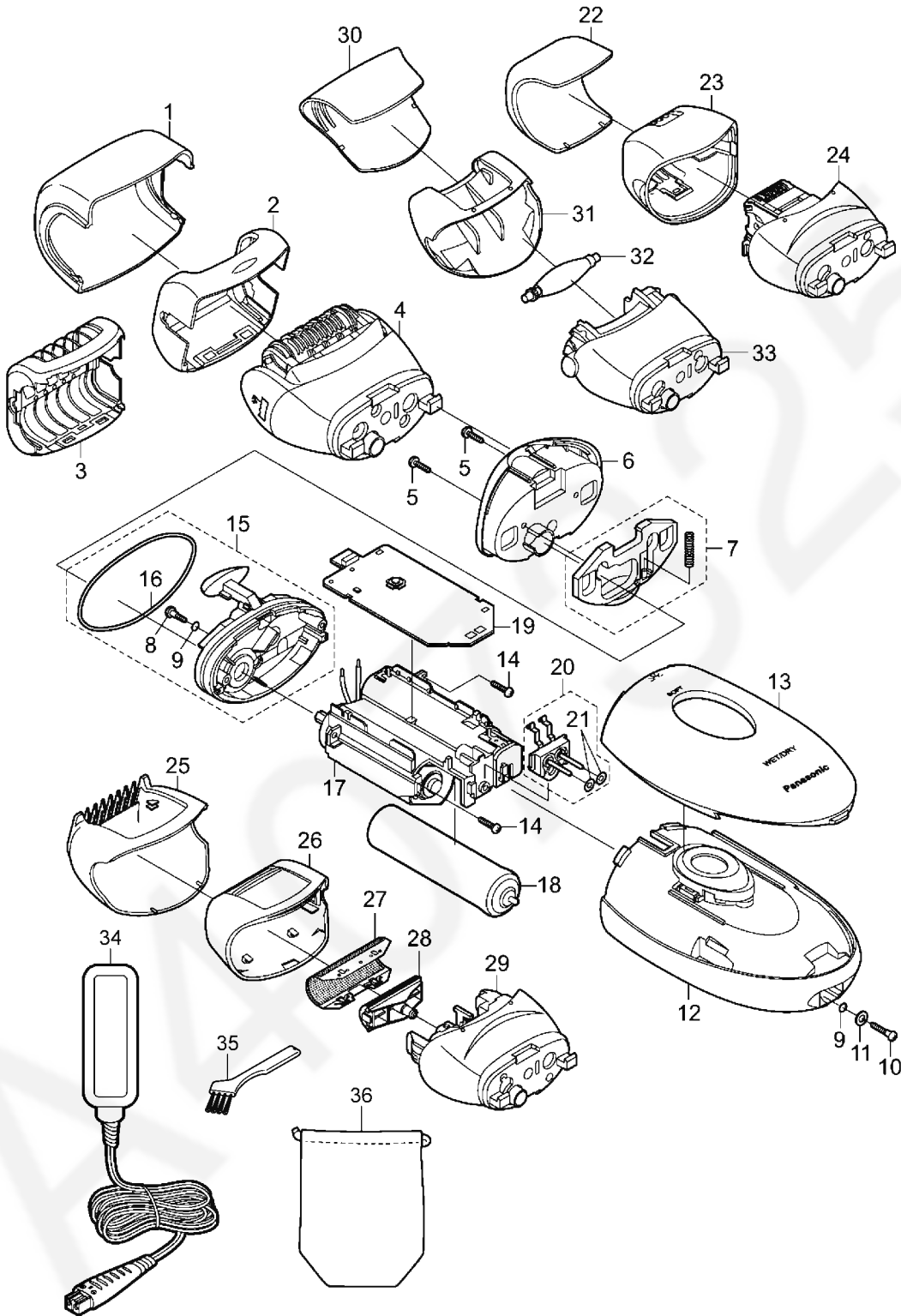
	PAGE	PAGE
1 EXPLODED VIEW & REPLACEMENT PARTS LIST ---- 2		

# Panasonic

© Panasonic Corporation 2015 Unauthorized copying and distribution is a violation of law.

# 1 EXPLODED VIEW & REPLACEMENT PARTS LIST

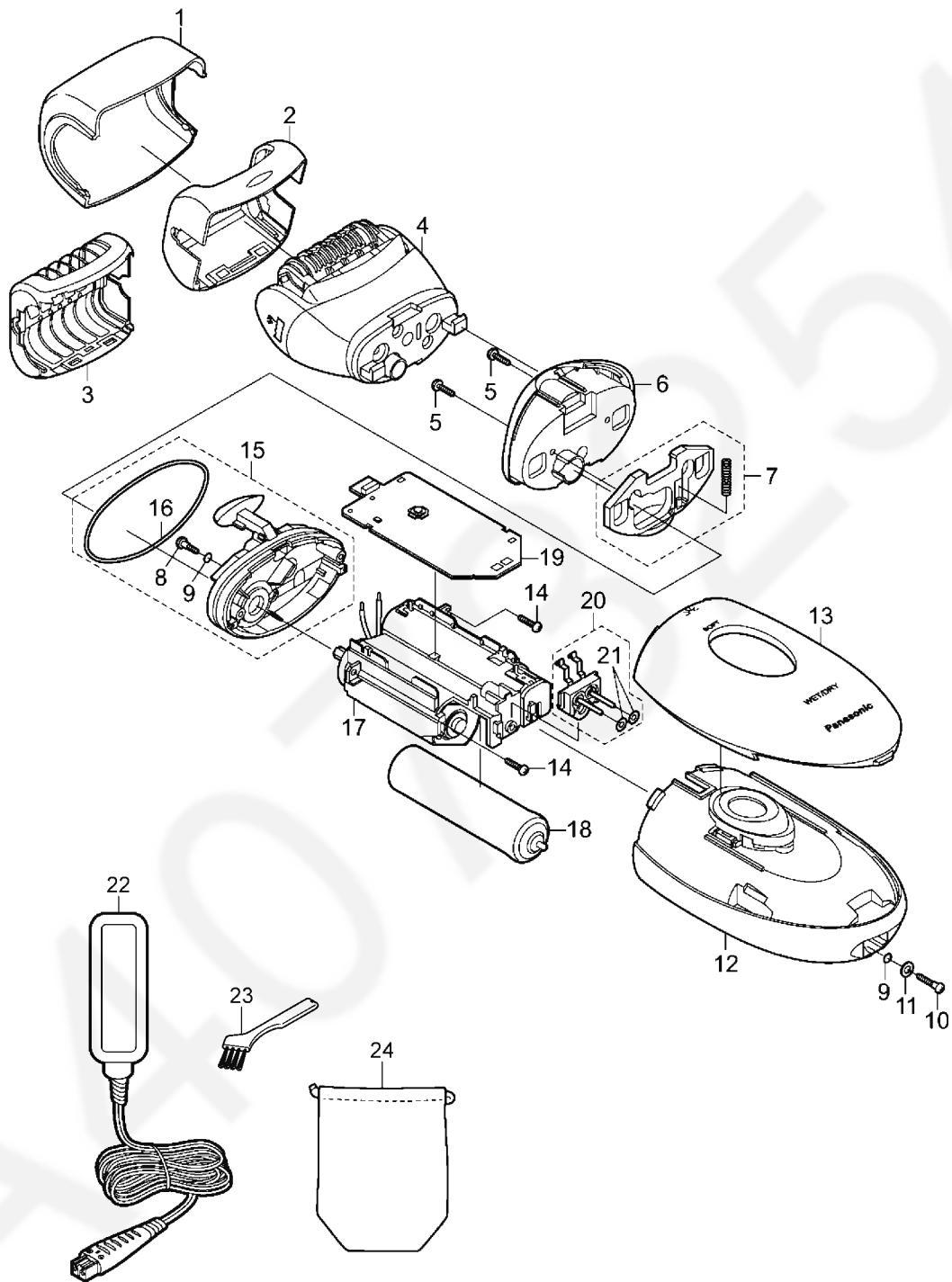
## 1.1. EXPLODED VIEW for ES-ED92



## 1.2. REPLACEMENT PARTS LIST for ES-ED92

Safety	Ref. No.	Part No.	Part Name & Description	Quantity	Remarks
	1	WESED90X7158	PROTECTION CAP	1	
	2	WESED92R3128	FAST CAP	1	
	3	WESED92R3108	GENTLE CAP	1	
	4	WESED92W1068	EPILATION HEAD FOR LEGS/ARMS	1	
	5	WESWD51L9397	TAPPING SCREW	2	K2-5
	6	WESED94W3368	MOUNTING BASE B	1	
	7	WESED90W3278	HEAD RELEASE BUTTON	1	
	8	WESED92S9707	SCREW	1	
	9	WER504L0966	O-RING	2	2PCS/PK
	10	WES701S9706	SCREW	1	K2-12
	11	WESWD94L6118	WASHER	1	
	12	WESED92W3058	HOUSING	1	
	13	WESED92R3378	FRONT PANEL	1	
	14	WES331B9257	TAPPING SCREW	2	K2-8
	15	WESED90L0498	MOUNTING BASE A	1	
	16	WES2067L0997	HOUSING O-RING	1	
	17	WESED90L1009	MOTOR ASSEMBLY	1	
	18	WESED94L2508	RECHARGEABLE BATTERY	1	LI-ION TYPE
	19	WESED92L2108	MODULE	1	
	20	WESED90L2158	PLUG CHASSIS	1	
	21	WES2047L0327	O-RING A	2	2PCS/PK
	22	WESED90X7168	PROTECTION CAP	1	
	23	WESED90W3128	EPILATION HEAD FRAME	1	
	24	WESED90W1078	EPILATION HEAD FOR UNDERARMS	1	
	25	WESED90X3557	BIKINI COMB	1	
	26	WESED90W4038	FOIL FRAME	1	
	27	WES9753E	OUTER FOIL	1	
	28	WES9752E	INNER BLADE	1	
	29	WESED90W0788	SHAVER HEAD	1	
	30	WESWD90X7158	PROTECTION CAP	1	
	31	WESWD90W3138	FOOT CARE HEAD FRAME	1	
	32	WESWD90H7178	FILE	1	
	33	WESED90W4068	FILE HEAD	1	
	34	WESED90W7664	POWER ADAPTOR	1	C-2 PLUG
	35	WES2047H6767	CLEANING BRUSH	1	
	36	WESED90W7008	SOFT CASE	1	
	-	WESED92S8008	INDIVIDUAL BOX	1	
	-	WESED92S8108	OPERATING INSTRUCTIONS	1	

### 1.3. EXPLODED VIEW for ES-ED22



## 1.4. REPLACEMENT PARTS LIST for ES-ED22

Safety	Ref. No.	Part No.	Part Name & Description	Quantity	Remarks
	1	WESED90X7158	PROTECTION CAP	1	
	2	WESED20V3128	FAST CAP	1	
	3	WESED22V3108	GENTLE CAP	1	
	4	WESED22W1068	EPILATION HEAD FOR LEGS/ARMS	1	
	5	WESWD51L9397	TAPPING SCREW	3	K2-5
	6	WESED90W3368	MOUNTING BASE B	1	
	7	WESED90W3278	HEAD RELEASE BUTTON	1	
	8	WES2047S9707	SCREW	1	
	9	WER504L0966	O-RING	2	2PCS/PK
	10	WES701S9706	SCREW	1	K2-12
	11	WESWD94L6118	WASHER	1	
	12	WESED22V3058	HOUSING	1	
	13	WESED22V3378	FRONT PANEL	1	
	14	WES331B9257	TAPPING SCREW	2	K2-8
	15	WESED90L0498	MOUNTING BASE A	1	
	16	WES2067L0997	HOUSING O-RING	1	
	17	WESED90L1009	MOTOR ASSEMBLY	1	
	18	WESED94L2508	RECHARGEABLE BATTERY	1	LI-ION TYPE
	19	WESED92L2108	MODULE	1	
	20	WESED90L2158	PLUG CHASSIS	1	
	21	WES2047L0327	O-RING A	2	2PCS/PK
	22	WESED90W7664	POWER ADAPTOR	1	C-2 PLUG
	23	WES2047H6767	CLEANING BRUSH	1	
	24	WESED90W7008	SOFT CASE	1	
	-	WESED22V8008	INDIVIDUAL BOX	1	
	-	WESED92S8108	OPERATING INSTRUCTIONS	1	