

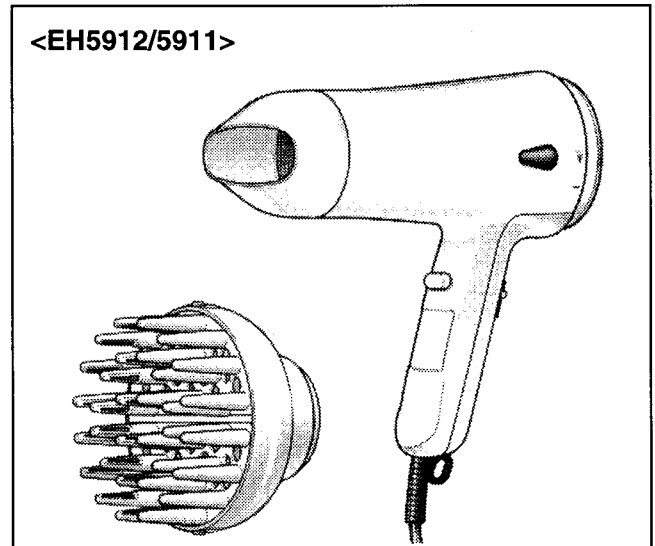
# Service Manual

Hair Dryer

## EH5912/5911

### Specifications <EH5912/5911>

- Power source** : 230V AC, 50Hz
- Power consumption** : 1600W (MODE 3)  
800W (MODE 2,1)
- Air Flow Temperature** : 110°C (MODE 3)  
85°C (MODE 2)  
90°C (MODE 1)  
(In case of room temperature 30°C)
- Cord Length** : 1.70m
- Weight** : 540g (With Nozzle)  
690g (With Diffuser)

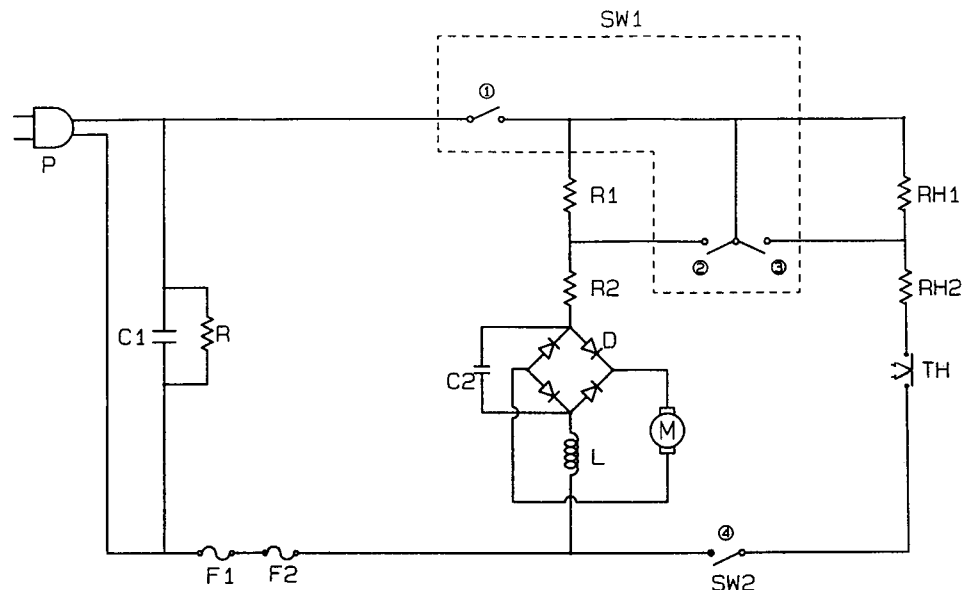


### SCHEMATIC DIAGRAM

- CLOSE
- × OPEN

SW2 (AVM3205P)	
	④
COOL (ON)	×
COOL (OFF)	○

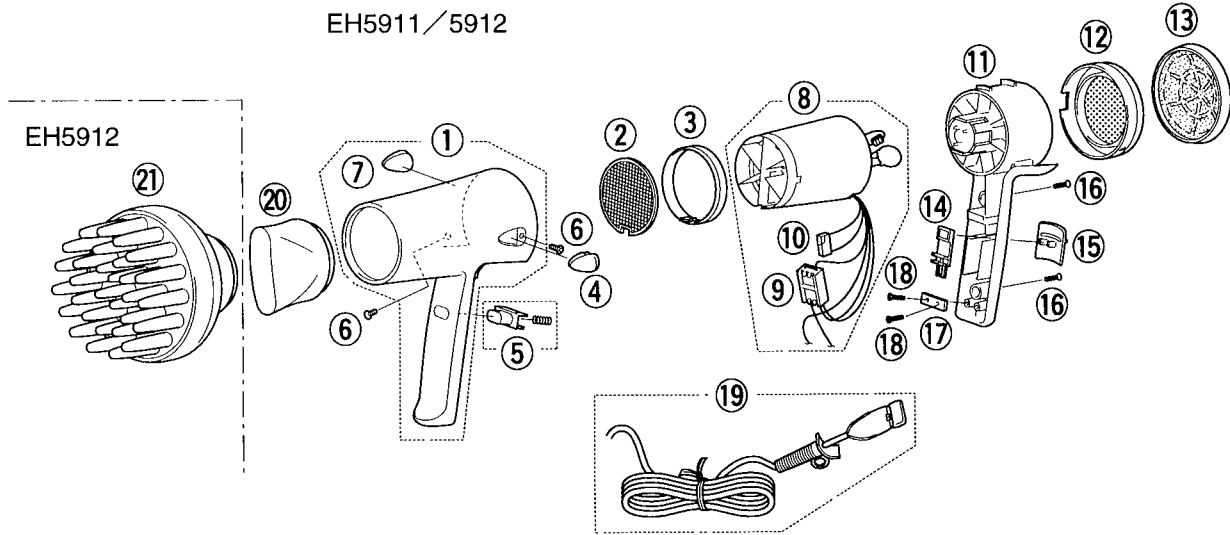
SW1 (SLS-24-718G)			
	①	②	③
3 (TURBO)	○	○	○
2 (HEALTHY)	○	○	×
1 (SET)	○	×	×
0 (OFF)	×	×	×



**⚠ WARNING**

This service literature is designed for experienced repair technicians only and is not designed for use by the general public. It does not contain warnings or cautions to advise non-technical individuals of potential dangers in attempting to service a product. Products powered by electricity should be serviced or repaired only by experienced professional technicians. Any attempt to service or repair the product or products dealt with in this service information by anyone else could result in serious injury or death.

**EXPLODED VIEW**



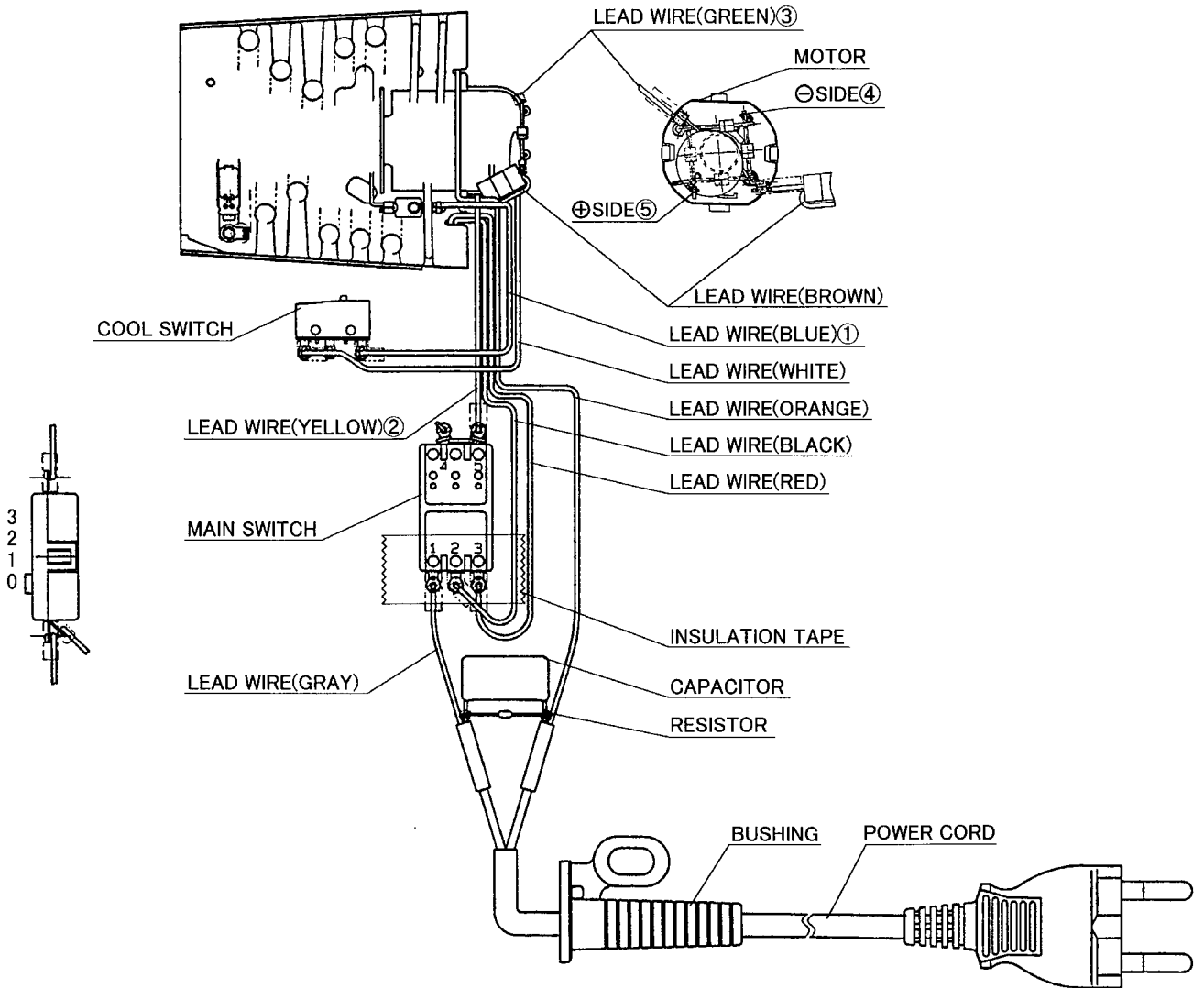
**REPLACEMENT PARTS LIST**

Ref. No.	Parts No. for EH5911	Parts No. for EH5912	Parts Name & Descriptions	Per Unit	RMKS
1	EH5911HSBW	EH5911HSBW	HOUSING(BLACK)	1	
2	EH5912AOBW	EH5912AOBW	AIR OUTLET GRILL	1	
3	EH5912AORBW	EH5912AORBW	AIR OUTLET RING	1	
4	EH5912PRW	EH5912PRW	PROTECTION RUBBER B	1	
5	EH5912SWLW	EH5912SWLW	COOL SWITCH BUTTON & SPRING	1	
6	EH5912T2660W	EH5912T2660W	TAPPING SCREW B9P2.6-6ZB	2	*1
7	EH5912PRAW	EH5912PRAW	PROTECTION RUBBER A	1	
8	EH5912HBW	EH5912HBW	HEATER BLOCK	1	
9	EH5912MSW	EH5912MSW	MAIN SWITCH	1	
10	EH5911COW	EH5911COW	COOL SWITCH	1	
11	EH5912AFW	EH5912AFW	AIR FLOW REGULATOR ASS'Y	1	
12	EH5912AIW	EH5912AIW	AIR INLET GRILL	1	
13	EH5912ACBW	EH5912ACBW	AIR INLET COVER	1	
14	EH5912MLWW	EH5912MLWW	MAIN SWITCH LEVER	1	
15	EH5912MPHW	EH5912MPHW	MAIN SWITCH PLATE	1	
16	EH5912T3012W	EH5912T3012W	TAPPING SCREW	2	*1
17	EH5912PCRW	EH5912PCRW	POWER CORD RETAINER	1	
18	EH5912T2612W	EH5912T2612W	TAPPING SCREW	2	*1
19	EH5911PCBW	EH5911PCBW	POWER CORD B/K	1	
20	EH5912NZKW	EH5912NZKW	NOZZLE	1	
21	—	EH5912DAKW	DIFFUSER ASS'Y	1	
—	EH5911S01W	EH5912S01W	INDIVIDUAL PACKAGE	1	
—	EH5911S03W	EH5911S03W	INSTRUCTION BOOKLET	1	

RMKS: \*1 Individual Available

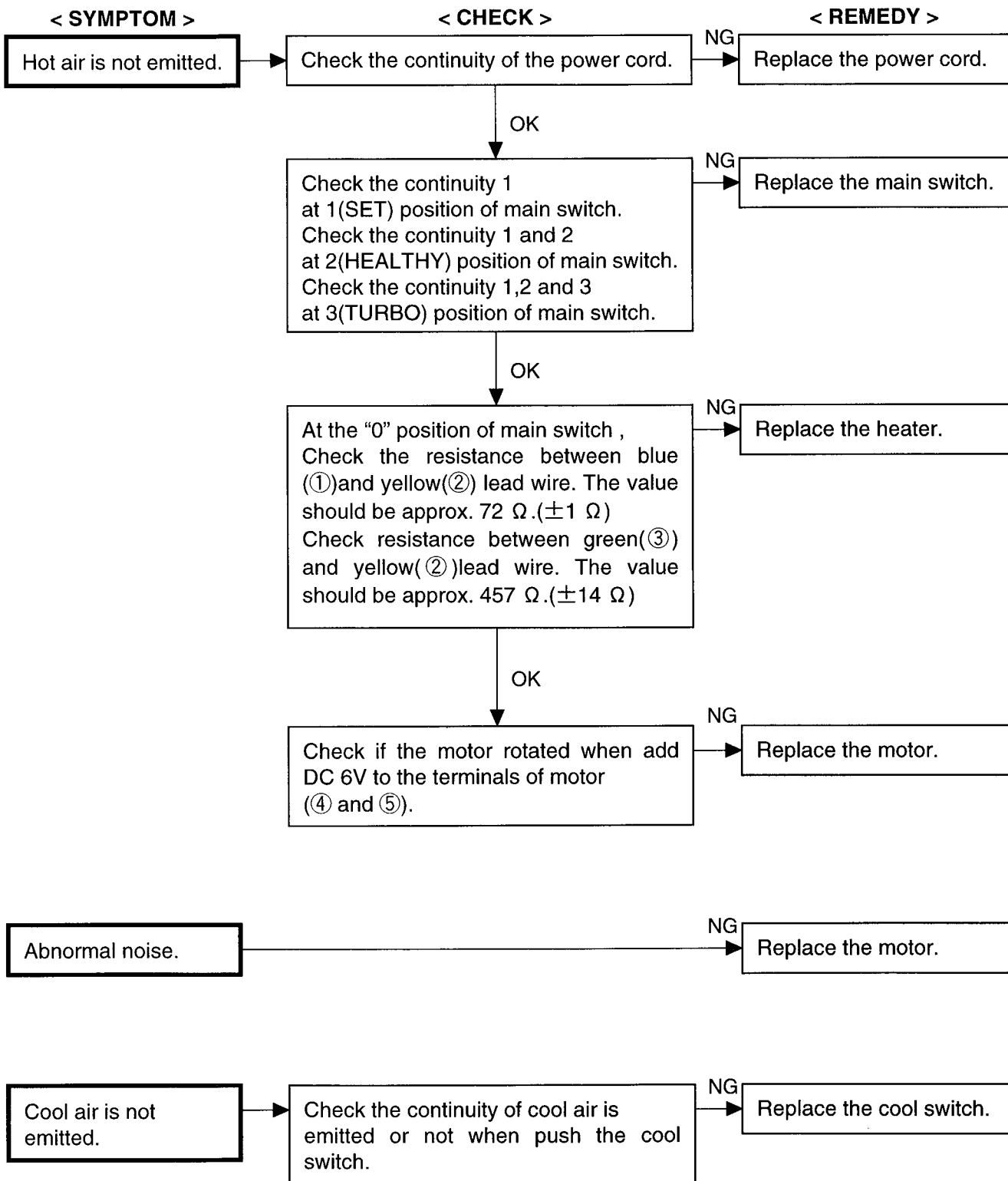
All parts are supplied from MEW-Thailand through AMS.

# PICTORIAL WIRING DIAGRAM



# TROUBLE SHOOTING GUIDE

[ Refer to PICTRIAL WIRING DIAGRAM on page 3. ]



# DISASSEMBLY INSTRUCTIONS

**< STEP >**

Remove the 2 torx screws from main body with a torx head driver .  
(See fig.1.)



Remove the rubber (front) with hand or inserting a slotted head screwdriver without damage.  
Then remove the 2 tapping screws.  
(See fig.1.)



Remove air inlet cover, air inlet grill and nozzle or diffuser.



Push at the position indicated the allow as shown in fig.2.,and open.



Pull out the housing.



Remove 2 tapping screws from holding power cord.(See fig.3.)



Peel away polyester tape and remove the main switch and cool switch.



Remove the heater block.



Remove the main switch lever and main switch plate with a needle nose pliers.  
(See fig.3.)

**< CAUTION >**

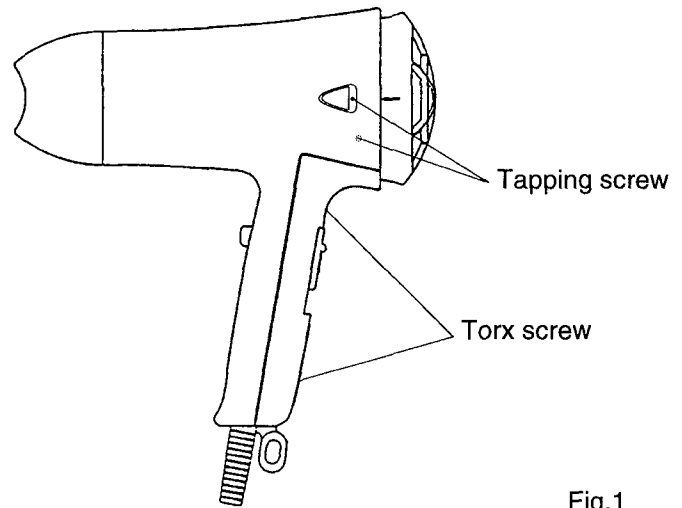


Fig.1

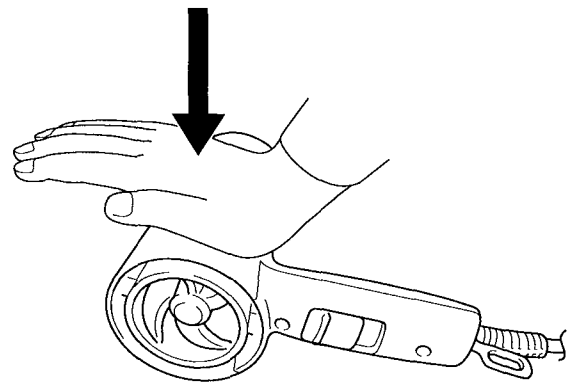


Fig.2

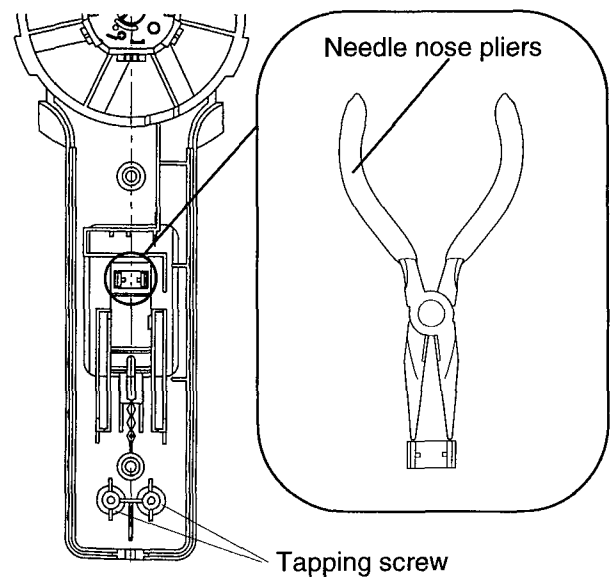
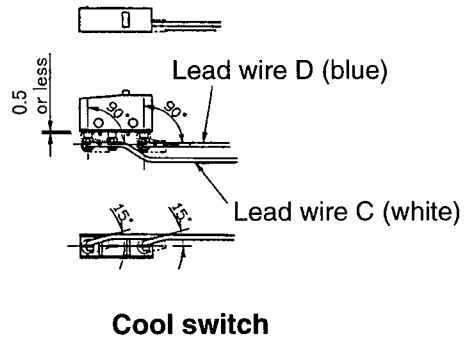
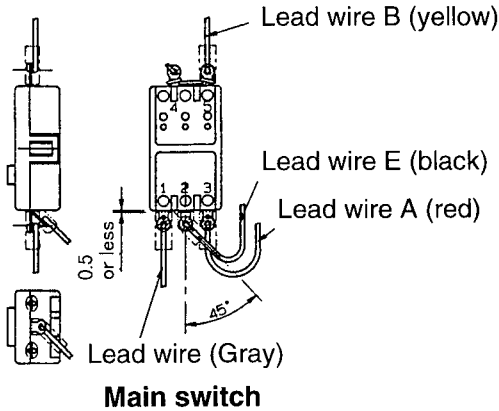


Fig.3

# ASSEMBLY INSTRUCTIONS

- Caution for soldering lead wire on main switch and cool switch .
  - ※ Locations and orientation of lead wires must be as shown below.
- After soldering lead wires, fasten them insulation tube.



< STEP >

< CAUTION >

Set the main switch plate and main switch lever to air flow regulator assembly at the position "0".

Rectifier assembly block

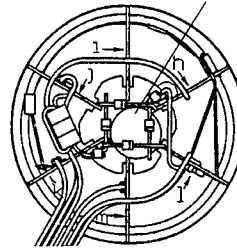


Fig.4

Set the heater block cover to air flow regulator assembly. (See fig.4)

Install the rectifier assemble block to center of heater block .

All lead wires must come out between rib a of air flow regulator assembly. (See fig.5)

Gather the lead wires together and fasten them with insulation tape at the position shown in fig.5.

Install the cool switch. (See fig.5.)

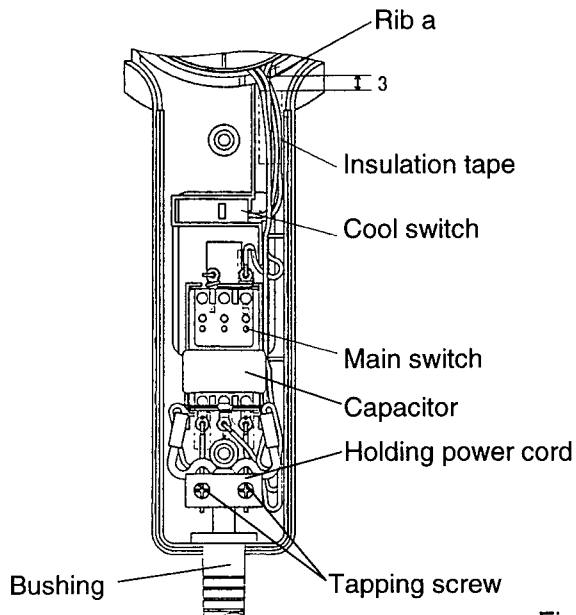


Fig.5

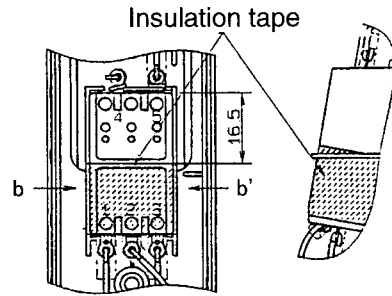
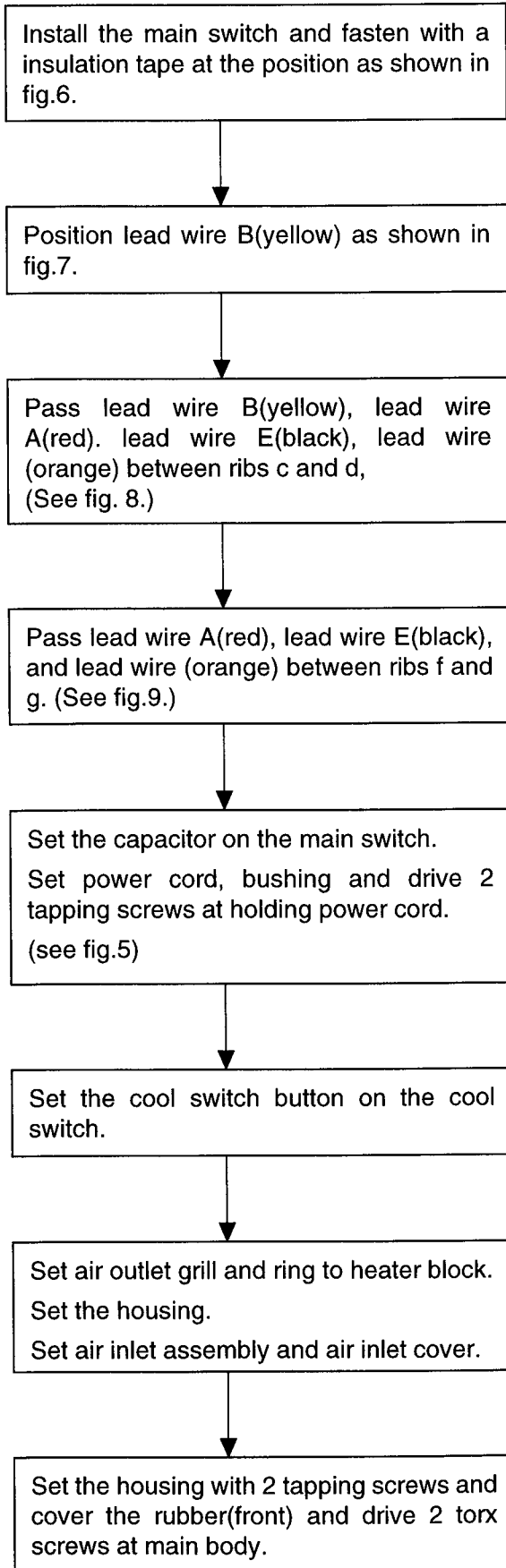


Fig.6

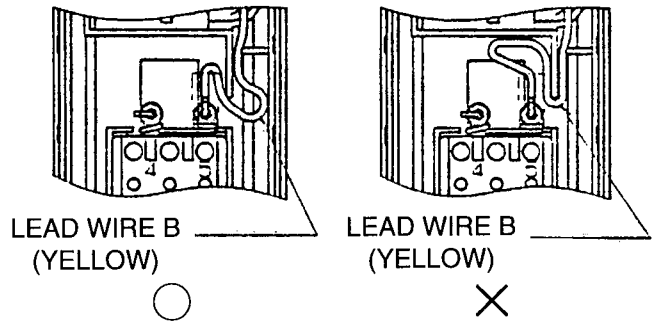


Fig.7

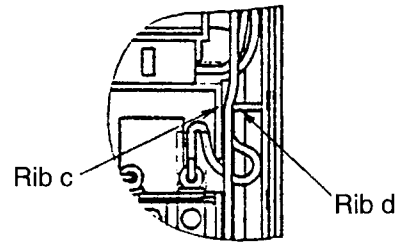


Fig.8

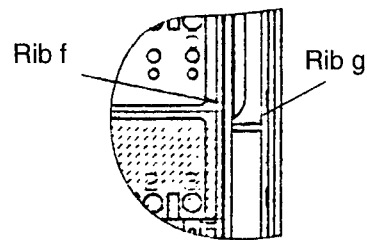


Fig.9