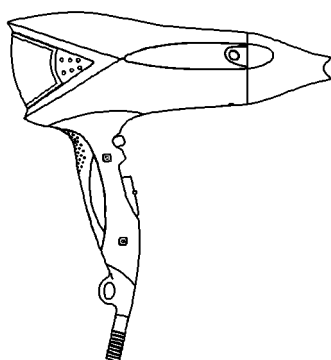


Service Manual

Hair Dryer

Model No. **EH5571**
EH5572
EH5573



Asia
 Europe

⚠ WARNING

This service information is designed for experienced repair technicians only and is not designed for use by the general public. It does not contain warnings or cautions to advise non-technical individuals of potential dangers in attempting to service a product. Products powered by electricity should be serviced or repaired only by experienced professional technicians. Any attempt to service or repair the product or products dealt with in this service information by anyone else could result in serious injury or death.

IMPORTANT SAFETY NOTICE

There are special components used in this equipment which are important for safety. These parts are marked by ⚠ in the Schematic Diagrams, Circuit Board Diagrams, Exploded Views and Replacement Parts List. It is essential that these critical parts should be replaced with manufacturer's specified parts to prevent shock, fire or other hazards. Do not modify the original design without permission of manufacturer.

TABLE OF CONTENTS

	PAGE	PAGE
1 Specifications	2	
2 Troubleshooting Guide	3	
3 Disassembly and Assembly Instructions	6	
4 Wiring Connection Diagram	15	
5 Schematic Diagram	18	
6 Exploded View and Replacement Parts List	19	

1 Specifications

Power source AC220-240V / 50-60Hz

Power consumption

EH5571

Function "3-Hot"...220V 1500W
230V 1650W
240V 1800W

Function "3-Warm"220V 1175W
230V 1285W
240V 1400W

Function "3-Mild"...220V 840W
230V 920W
240V 1000W

EH5572, EH5573

Function "3-Hot"...220V 1700W
230V 1850W
240V 2000W

Function "3-Warm"220V 1300W
230V 1420W
240V 1550W

Function "3-Mild"...220V 925W
230V 1010W
240V 1100W

Air volume 1.4 m³/min(3)

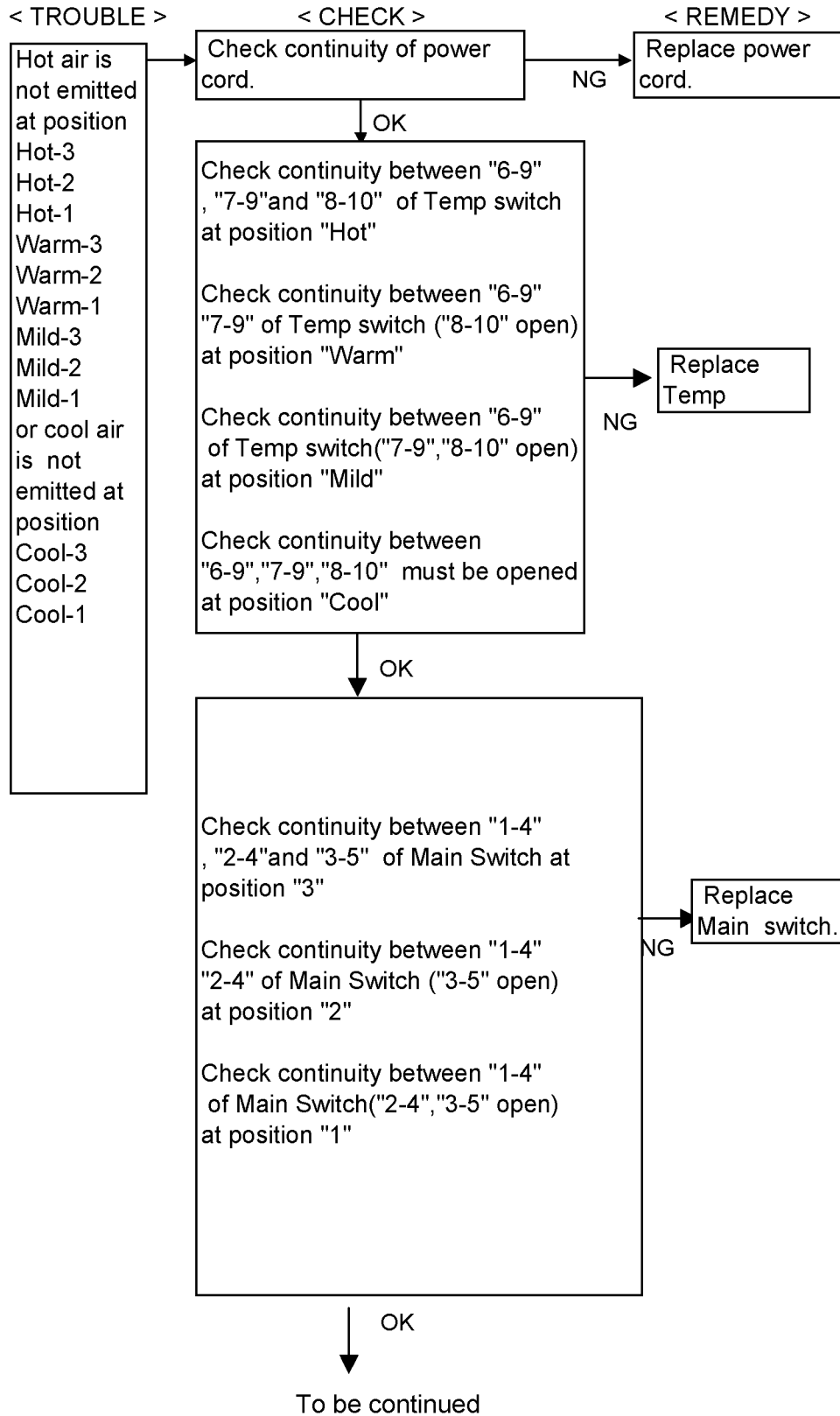
Air flow temperature 220 - 240V.....110°C(3-Hot)
(in case of room temperature 30°C)

Cord length 1.75 m

Weight 700 g

2 Troubleshooting Guide

Refer to WIRING CONNECTION DIAGRAM.



Refer to WIRING CONNECTION DIAGRAM.

< TROUBLE >

< CHECK >

< REMEDY >

Hot air is not emitted at position
Hot-3
Hot-2
Hot-1
Warm-3
Warm-2
Warm-1
Mild-3
Mild-2
Mild-1
or cool air is not emitted at position
Cool-3
Cool-2
Cool-1

Set Temp Switch and Main Switch to Hot-3
Check the resistance of heater coil between conductor of Power cord
The value should be as follows:
EH5573.2 : appox. 37.2Ω
EH5571 : appox. 40.2Ω

Set Temp Switch and Main Switch to Hot-2
Check the resistance of heater coil between conductor of Power cord
The value should be as follows:
EH5573.2 : appox. 42.7Ω
EH5571 : appox. 45.3Ω

Set Temp Switch and Main Switch to Hot-1
Check the resistance of heater coil between conductor of Power cord
The value should be as follows:
EH5573.2 : appox. 69.5Ω
EH5571 : appox. 72.6Ω

Set Temp Switch and Main Switch to Warm-3
Check the resistance of heater coil between conductor of Power cord
The value should be as follows:
EH5573.2 : appox. 50.8Ω
EH5571 : appox. 56.0Ω

Set Temp Switch and Main Switch to Warm-2
Check the resistance of heater coil between conductor of Power cord
The value should be as follows:
EH5573.2 : appox. 56.4Ω
EH5571 : appox. 61.4Ω

Set Temp Switch and Main Switch to Warm-1
Check the resistance of heater coil between conductor of Power cord
The value should be as follows:
EH5573.2 : appox. 83.1Ω
EH5571 : appox. 88.5Ω

NG

Replace Heater

↓
To be continue

Refer to WIRING CONNECTION DIAGRAM.

< TROUBLE >

< CHECK >

< REMEDY >

Hot air is not emitted at position
Hot-3
Hot-2
Hot-1
Warm-3
Warm-2
Warm-1
Mild-3
Mild-2
Mild-1
or cool air is not emitted at position
Cool-3
Cool-2
Cool-1

Set Temp Switch and Main Switch to Mild-3
Check the resistance of heater coil between conductor of Power cord
The value should be as follows:
EH5573.2 : approx. 80.0Ω
EH5571 : approx. 92.7Ω

Set Temp Switch and Main Switch to Mild-2
Check the resistance of heater coil between conductor of Power cord
The value should be as follows:
EH5573.2 : approx. 85.5Ω
EH5571 : approx. 98.1Ω

Set Temp Switch and Main Switch to Mild-1
Check the resistance of heater coil between conductor of Power cord
The value should be as follows:
EH5573.2 : approx. 112.2Ω
EH5571 : approx. 125.3Ω

NG

Replace Heater

Check the motor rotates when apply DC24V to motor terminal.

Replace Motor

3 Disassembly and Assembly Instructions

3.1. ASSEMBLY INSTRUCTIONS

1. Assembly Lead Wires to Insulation Tube (2 pcs) as shown in Figure 1.

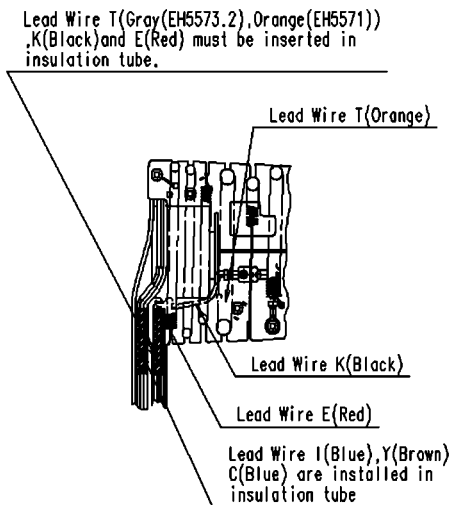


Figure 1

2. Soldering Lead Wires B,C and X to Heater B/K as shown in Figure 2, 3.

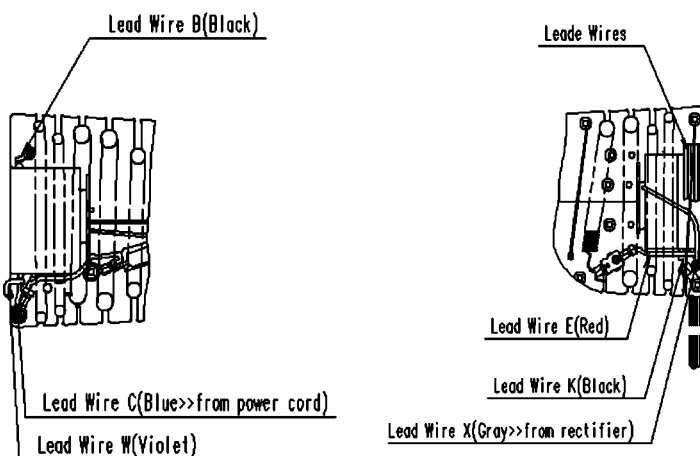


Figure 2, 3

3. Soldering Lead Wires to Main Switch as shown in Figure 4 for EH5573.2.1 code 685M,665,675,825 and as shown in Figure 5 for EH5573.2.1 all other countries.

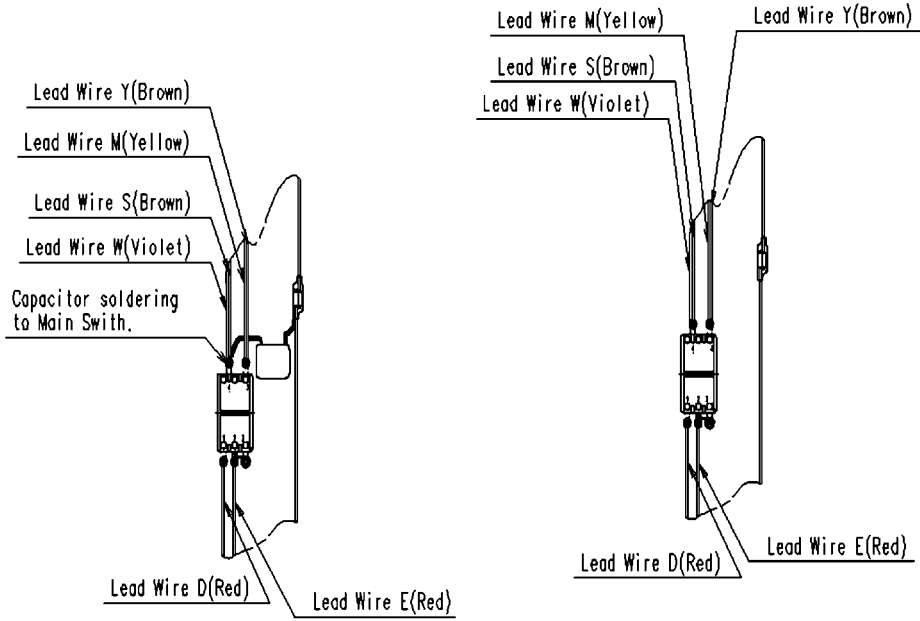


Figure 4, 5

4. Soldering Lead Wires to Temp Switch as shown in Figure 6 .

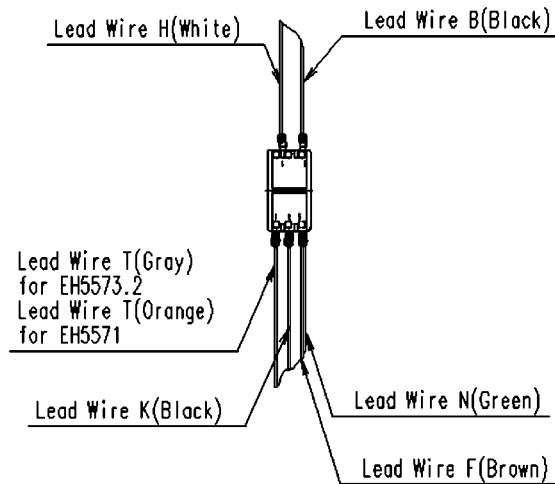


Figure 6

5. Soldering Lead Wires to Cool Switch as shown in Figure 7.
Soldering Lead Wires to Discharge Electrode Ass'y as shown in Figure 8.

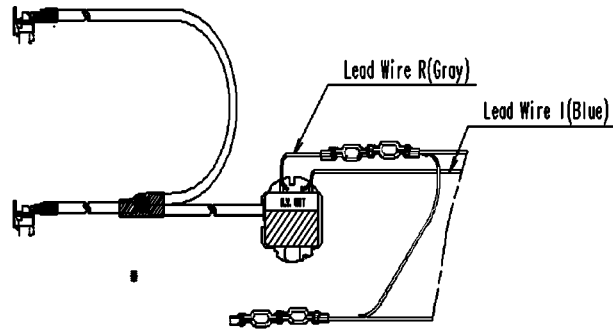
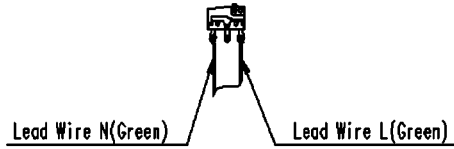


Figure 7, 8

6. For EH5573.2 Soldering Lead Wires to Ion Charge Circuit Ass'y. as shown in Figure 9.

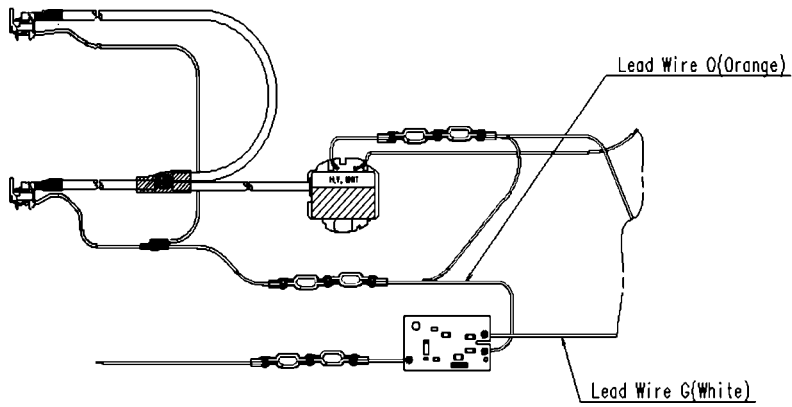


Figure 9

7. Assembly Rectifier Ass'y to Motor B/K Ass'y as shown in Figure 10.

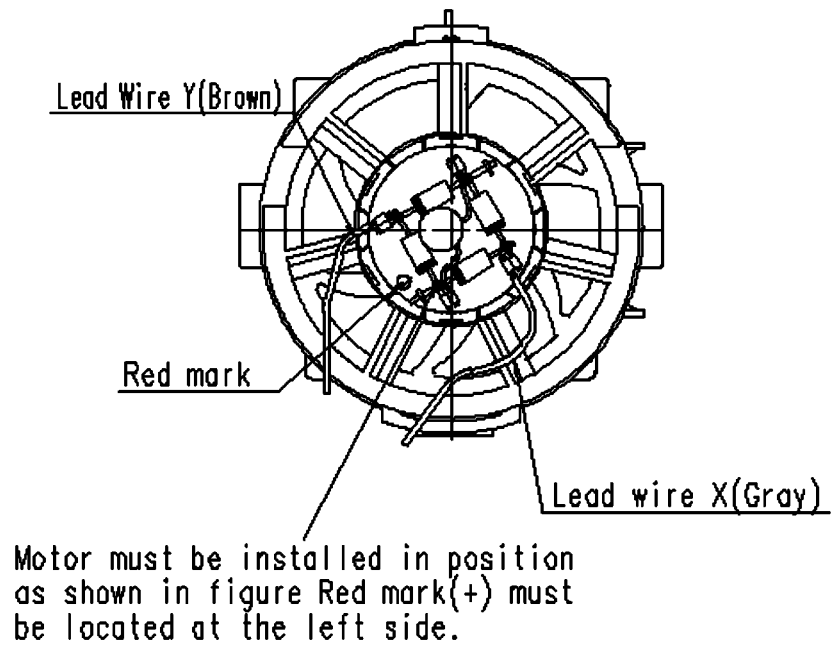


Figure 10

8. Lock all Lead Wires with locking tie as shown in Figure 11.

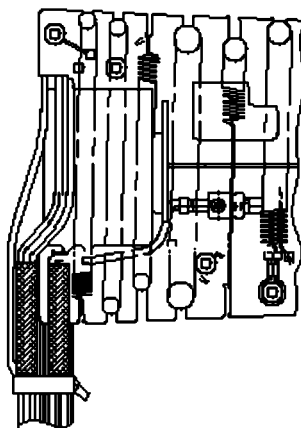


Figure 11

9. Assembly Heater insulator Ass'y to Air Flow Regulator as shown in Figure 12.

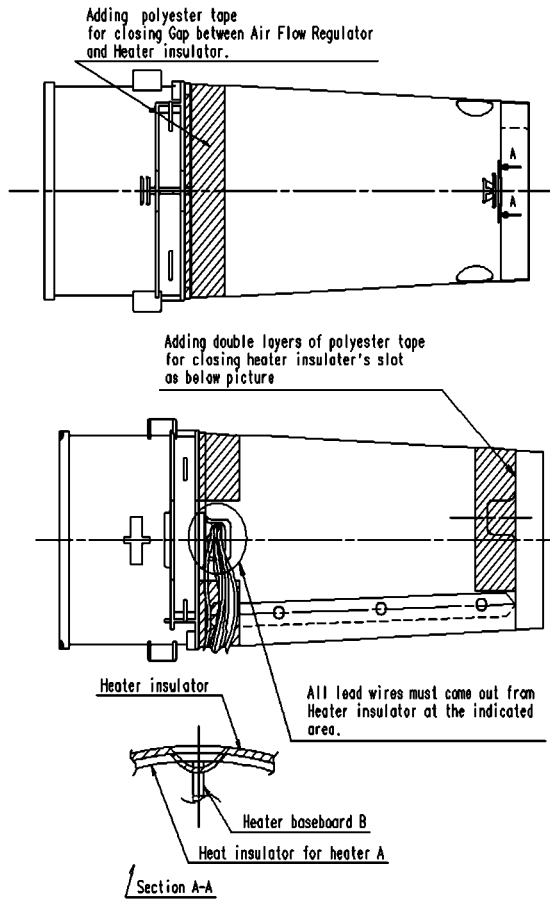


Figure 12

10. Assembly Main Switch and Temp Switch to Electrification Panel as shown in Figure 13(for EH5573.2).

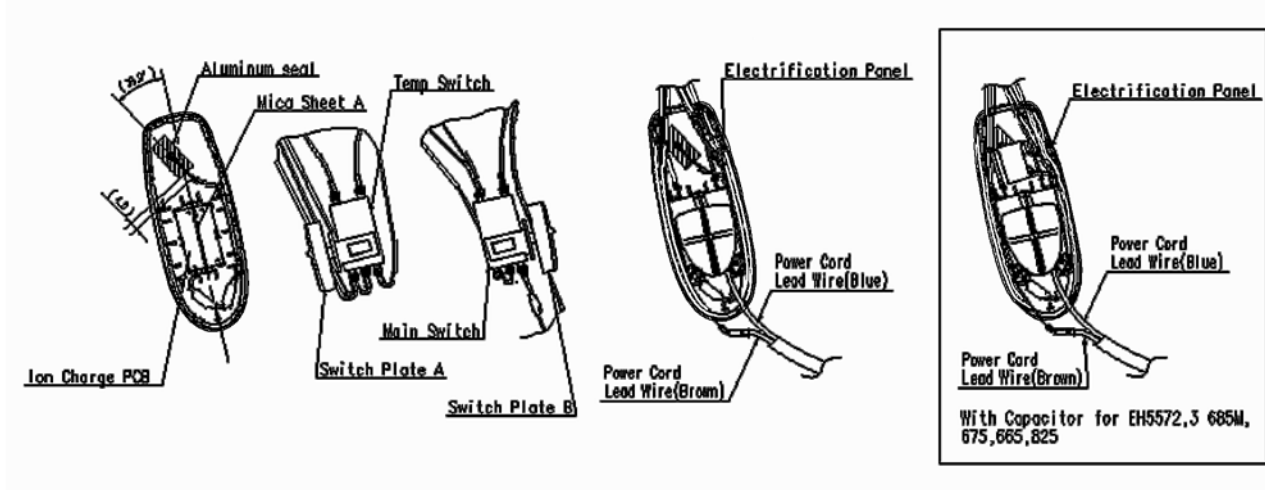


Figure 13

11. Assembly Main Switch and Temp Switch to Electrification Panel as shown in Figure 14(for EH5571).

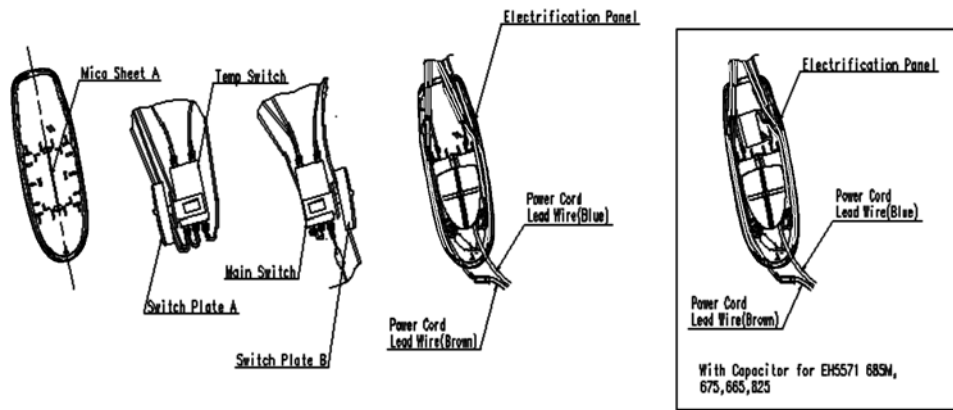


Figure 14

12. Assembly Air Flow to Housing B as shown in Figure 15, 16.

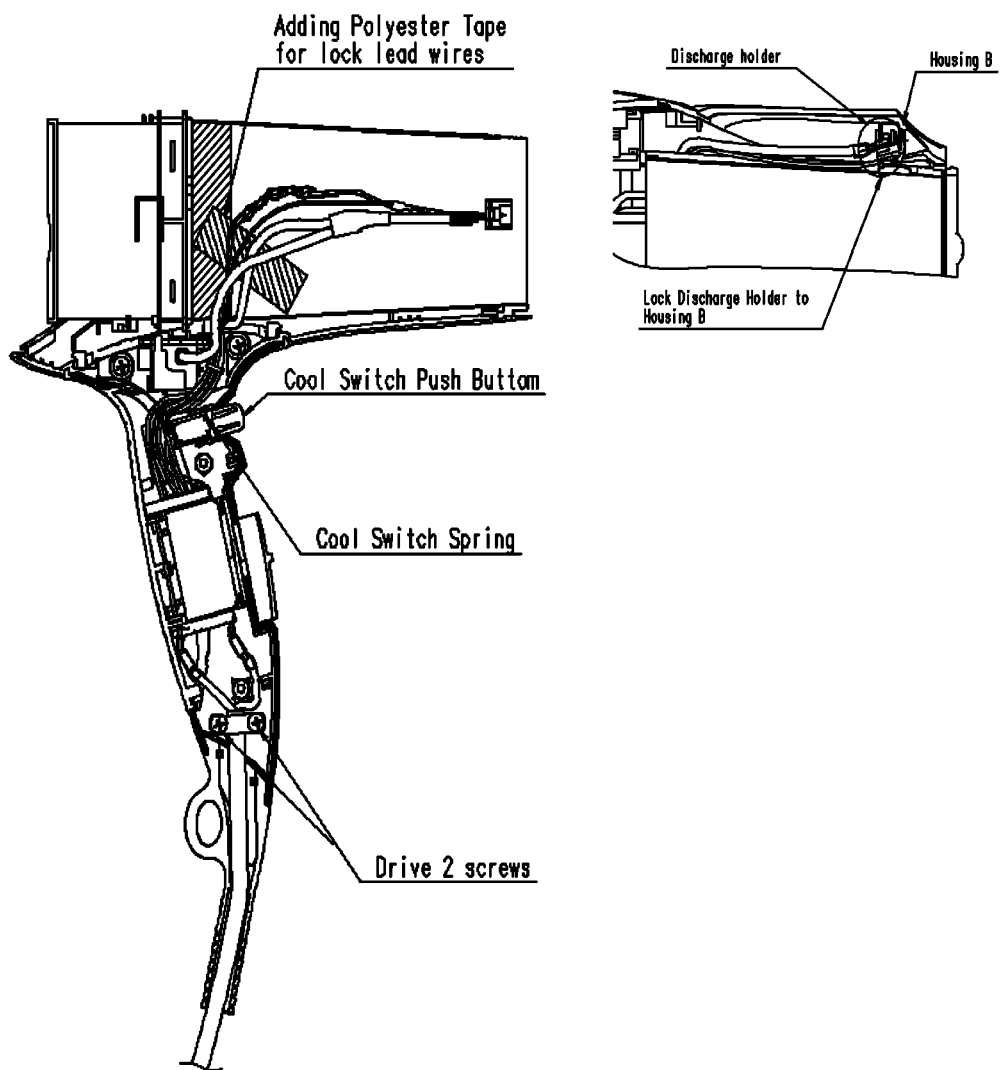


Figure 15, 16

13. Control Resistor Ass'y alignment as shown in Figure 17.

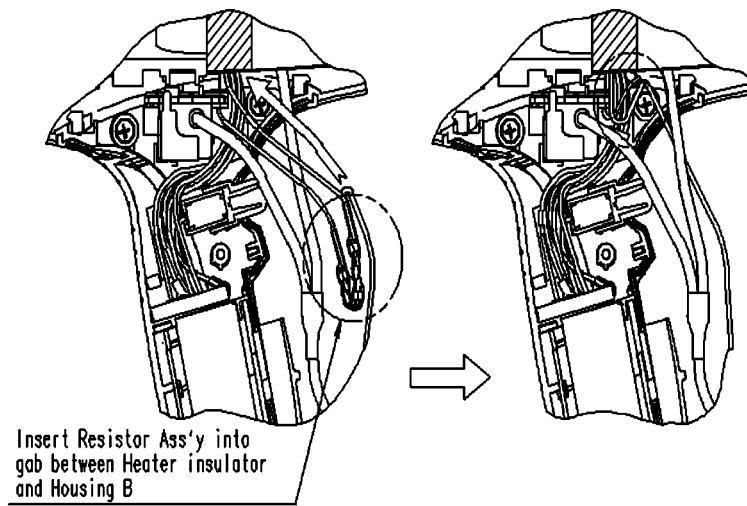


Figure 17

14. Assembly Housing A to Housing B as shown in Figure 18.

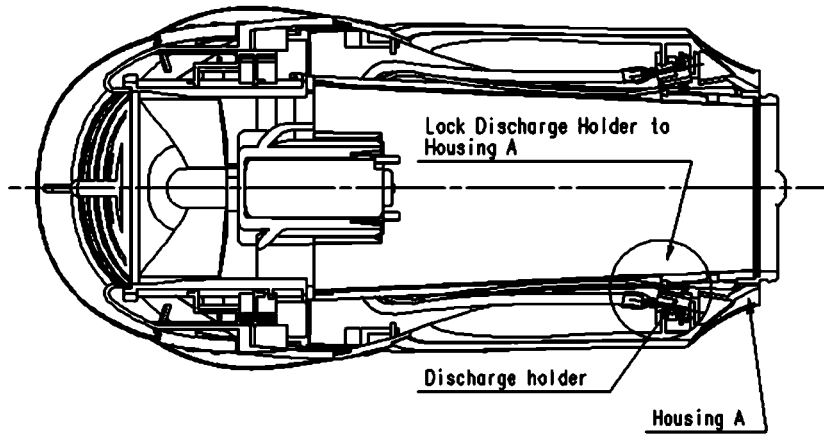


Figure 18

15. Assembly Housing C ,Air Inlet Ring and Air Outlet Ring and drive screws as shown in Figure 19 ,finally assembly. Air Inlet Frame and Nozzle as shown in Figure 20.

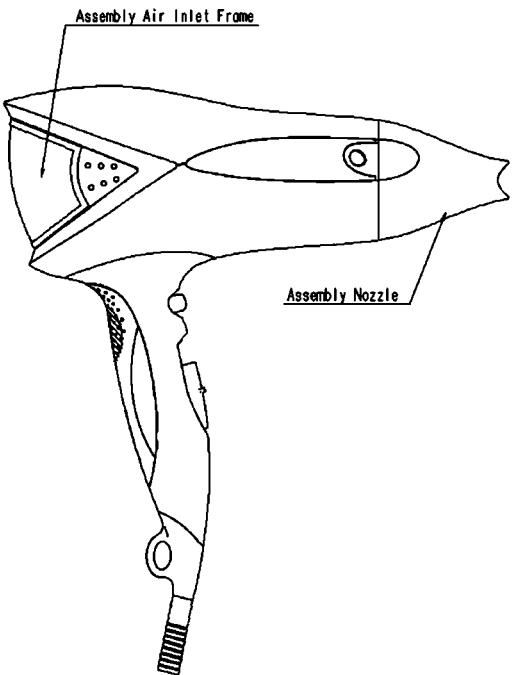
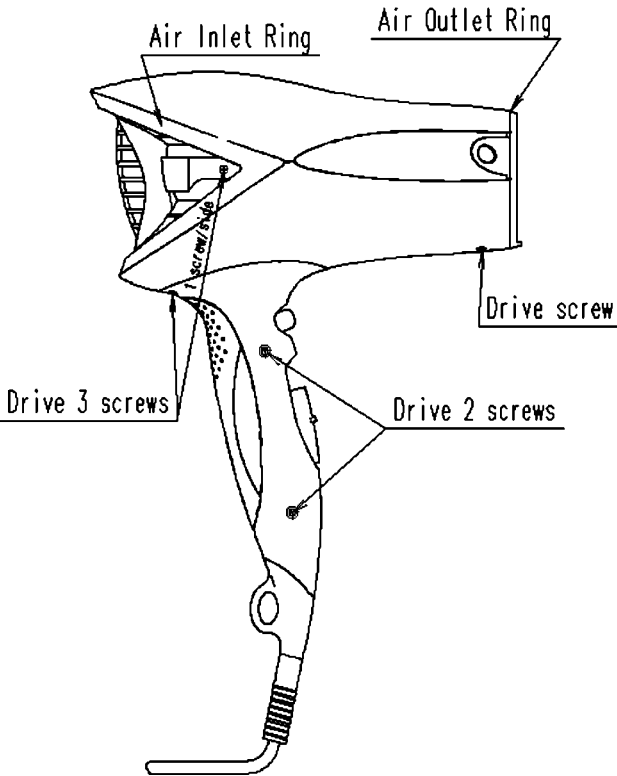


Figure 19, 20

3.2. DISASSEMBLY INSTRUCTIONS

1. Remove the 2 torx screws from main body with a torx head driver as shown in Figure 21.

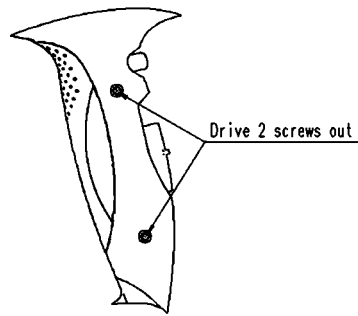


Figure 21

2. Take Air Inlet Frame off and then remove 4 screws from Main body from front and back and remove Air Outlet Ring and Air Inlet Ring by rotate clockwise and then pull out.

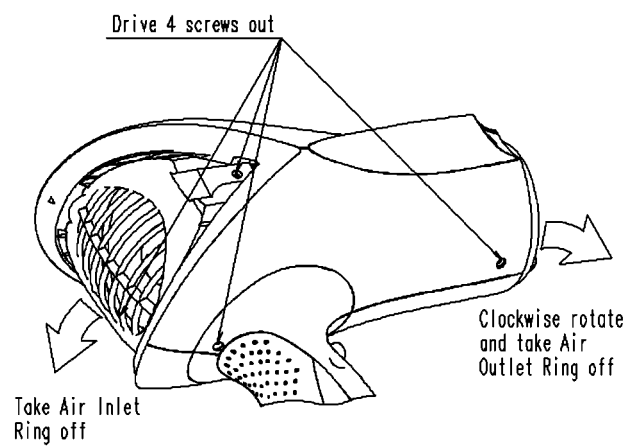


Figure 22

3. Separate Housing C from Housing A/B by release left and right hook as indication "A" and apply separate force at indication "F" gently.

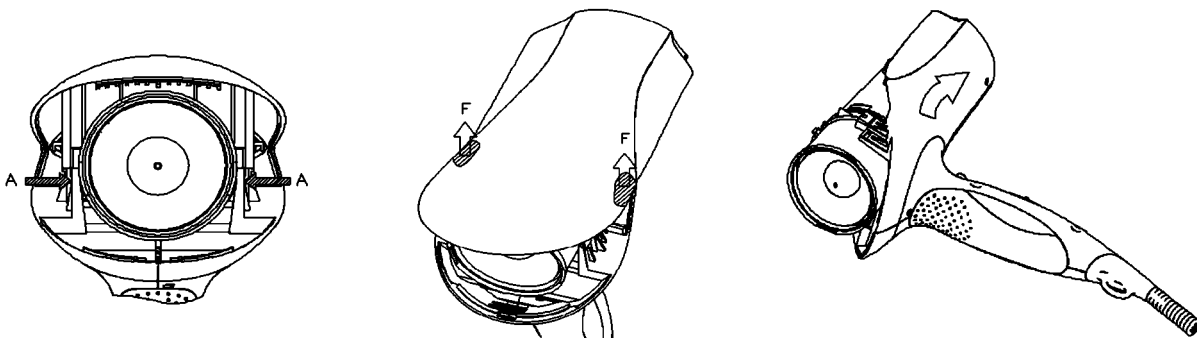
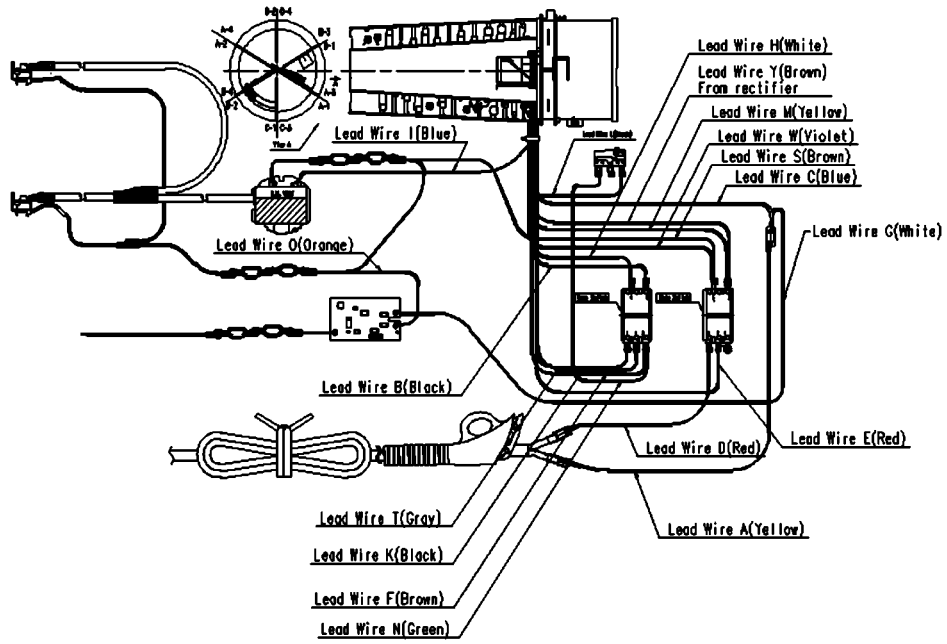
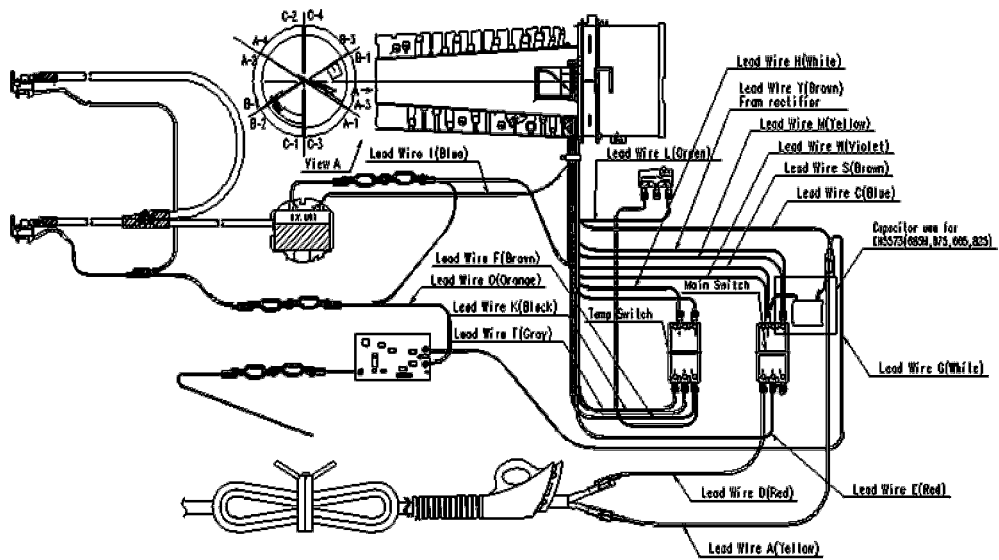


Figure 23, 24, 25

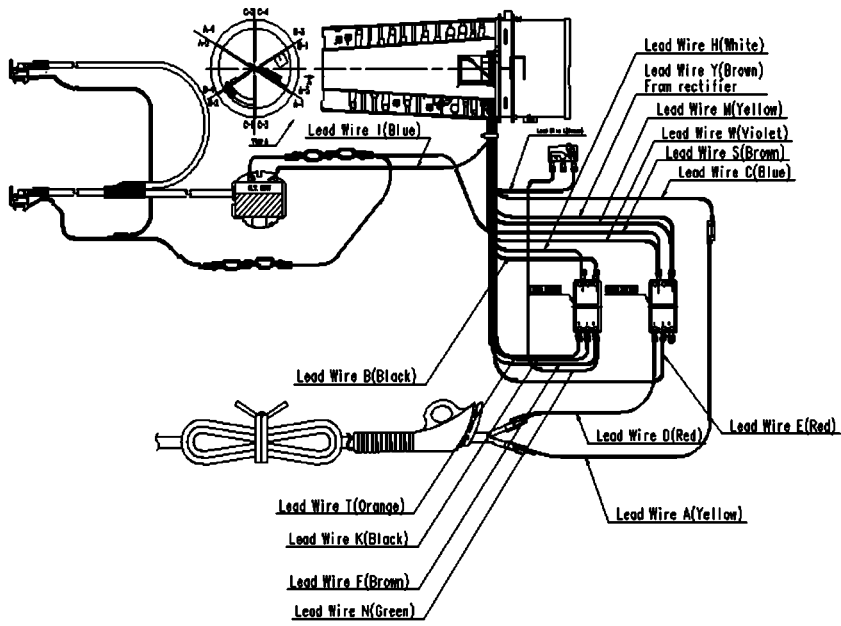
4 Wiring Connection Diagram



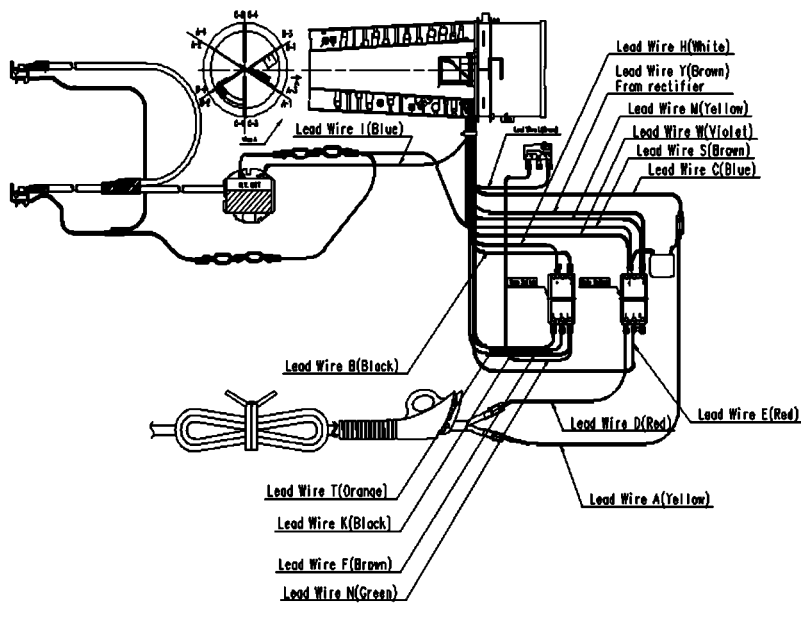
EH5573.2



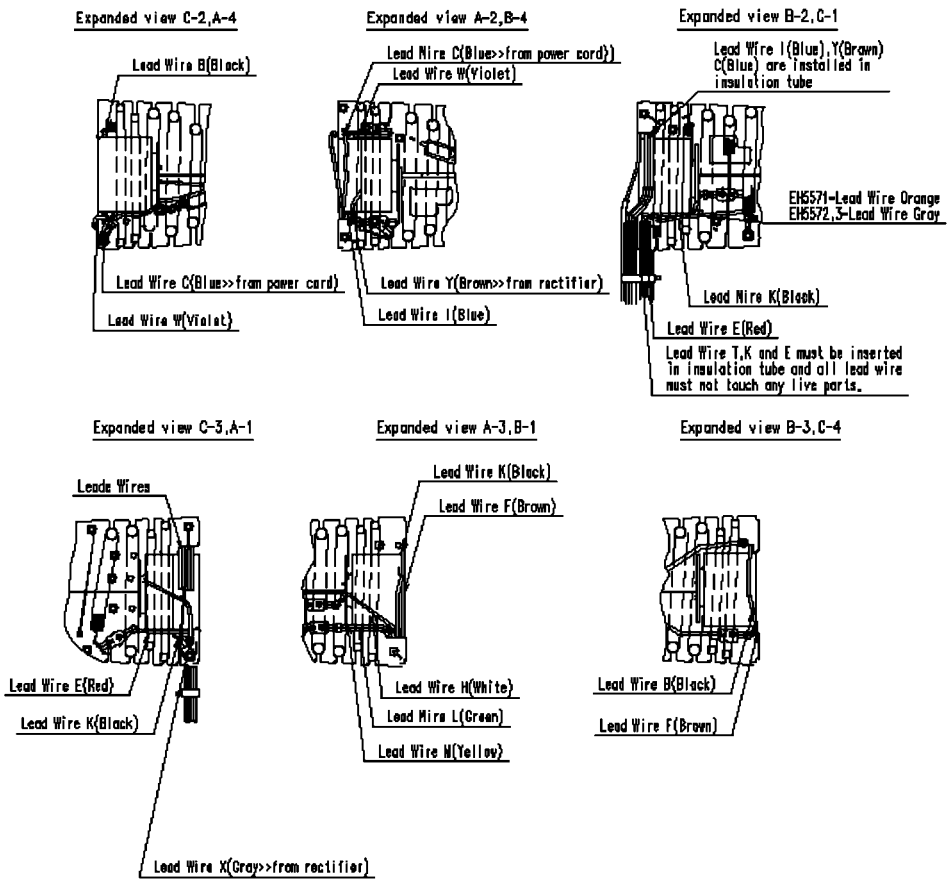
EH5573.2 (with capacitor)
(for code 685M, 675, 665, 825)



EH5571

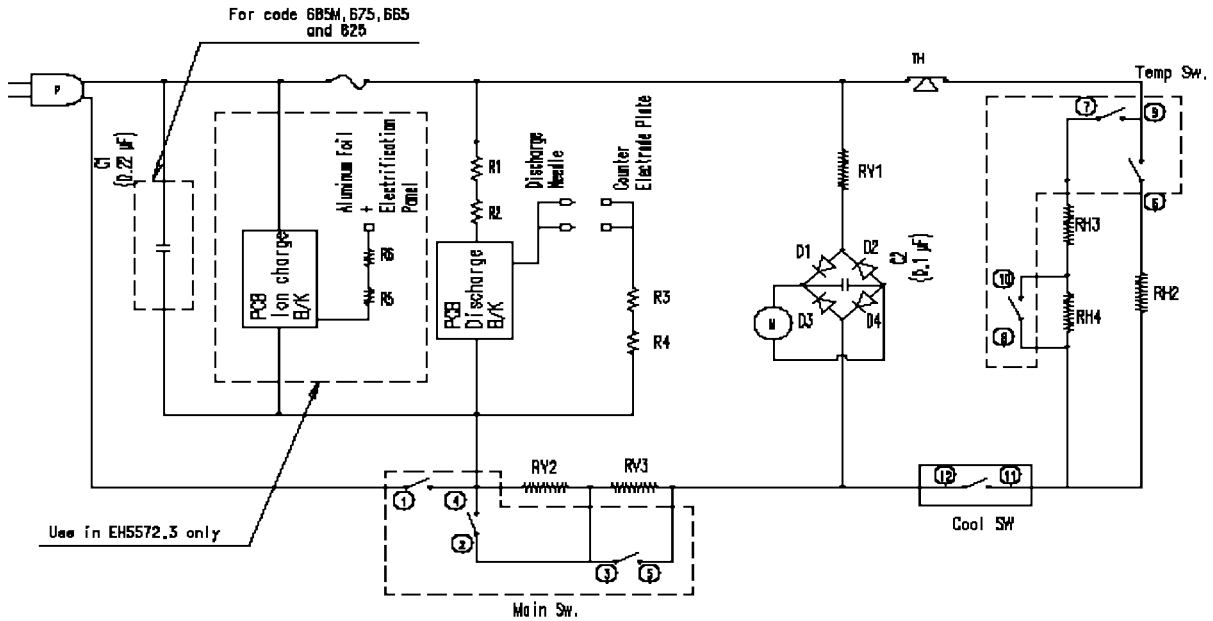


EH5571 (with capacitor)
 (for code 685M, 675, 665 and 825)



Wiring Lead Wire on Heater B/K Ass'y for EH5573.2.1(All countries)

5 Schematic Diagram



Main Sw.	1-4	2-4	3-5
Off	X	X	X
1	0	X	X
2	0	0	X
3	0	0	0

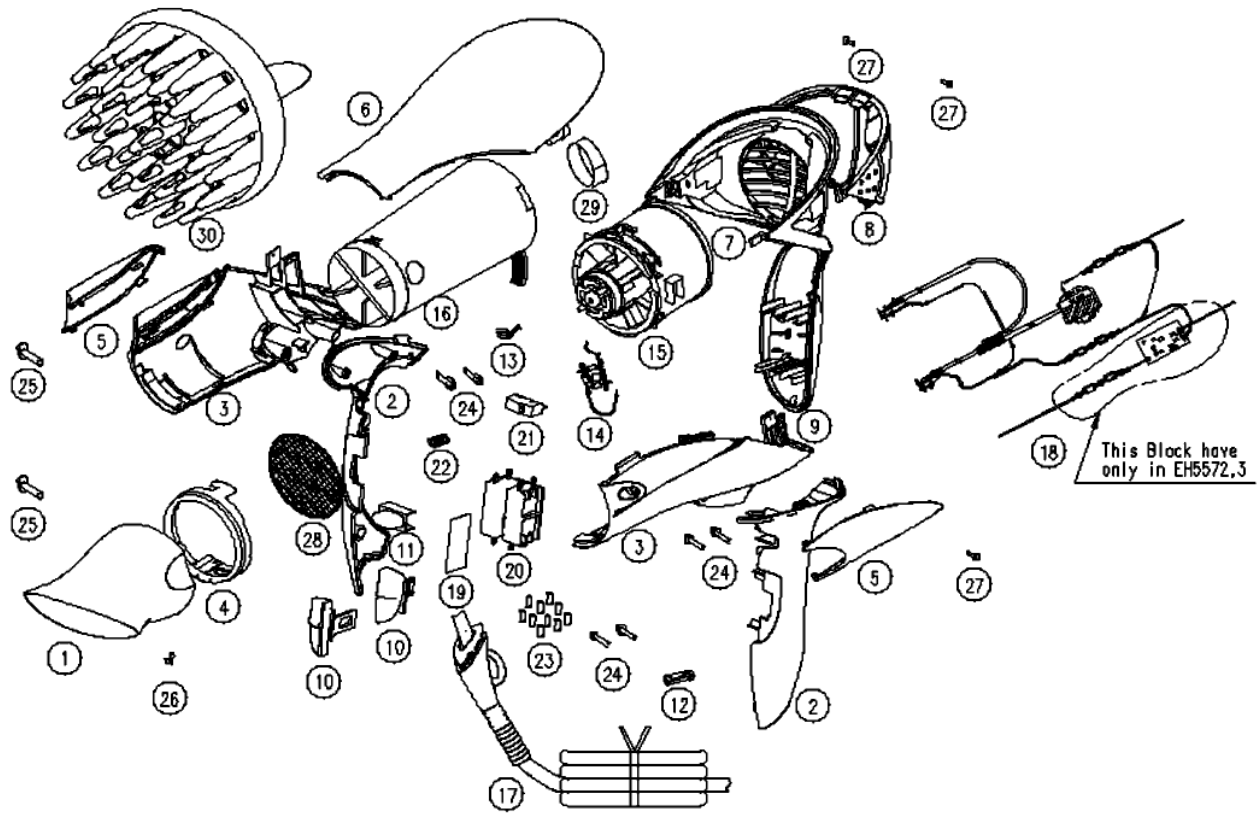
Temp. Sw.	6-9	7-9	8-10
Cool	X	X	X
Mild	0	X	X
Warm	0	0	X
Hot	0	0	0

Cool Sw.	11-12
Off	0
On	X

Component		220-240V (EMC for code 685M,675,665,825)	220-240V (OTHER)
C1	CAPACITOR	0.22 μF, 275V	NOT USE
C2	CAPACITOR (FOR MOTOR)	0.1 μF, 50VDC	
D1, D2, D3,	DIODE (BRIDGE)	400V, 2A	
F	TEMPERATURE FUSE	147°C, 250V, 12A	
M	MOTOR	DC 24V	
Main Sw.	MAIN SWITCH	AC 250V/10A	
Temp Sw.	TEMPERATURE SWITCH	AC 250V/10A	
Cool Sw.	COOL SWITCH	AC 250V/10A	
TH	THERMO SWITCH	120±5°C	
RH2	HEATER COIL	EH5571=92.1±2.7Ω/ EH5572,3=79.1±2.4Ω	
RH3	HEATER COIL	68.4±2.0Ω	
RH4	HEATER COIL	68.4±2.0Ω	
RV1	HEATER COIL	122±3.7Ω	
RV2	HEATER COIL	26.7±0.8Ω	
RV3	HEATER COIL	5.4±0.3Ω	
R1,R2	RESISTOR	19 kΩ, 1W	
R3,R4	RESISTOR	1 MΩ, 1/2W	
R5,R6	RESISTOR	3.3 MΩ, 1/2W	

6 Exploded View and Replacement Parts List

Model No. : EH5571 Exploded View for EH5571



RMKS : * 1 Individual Available
All parts are supplied from PEW-Thailand throught PLGA

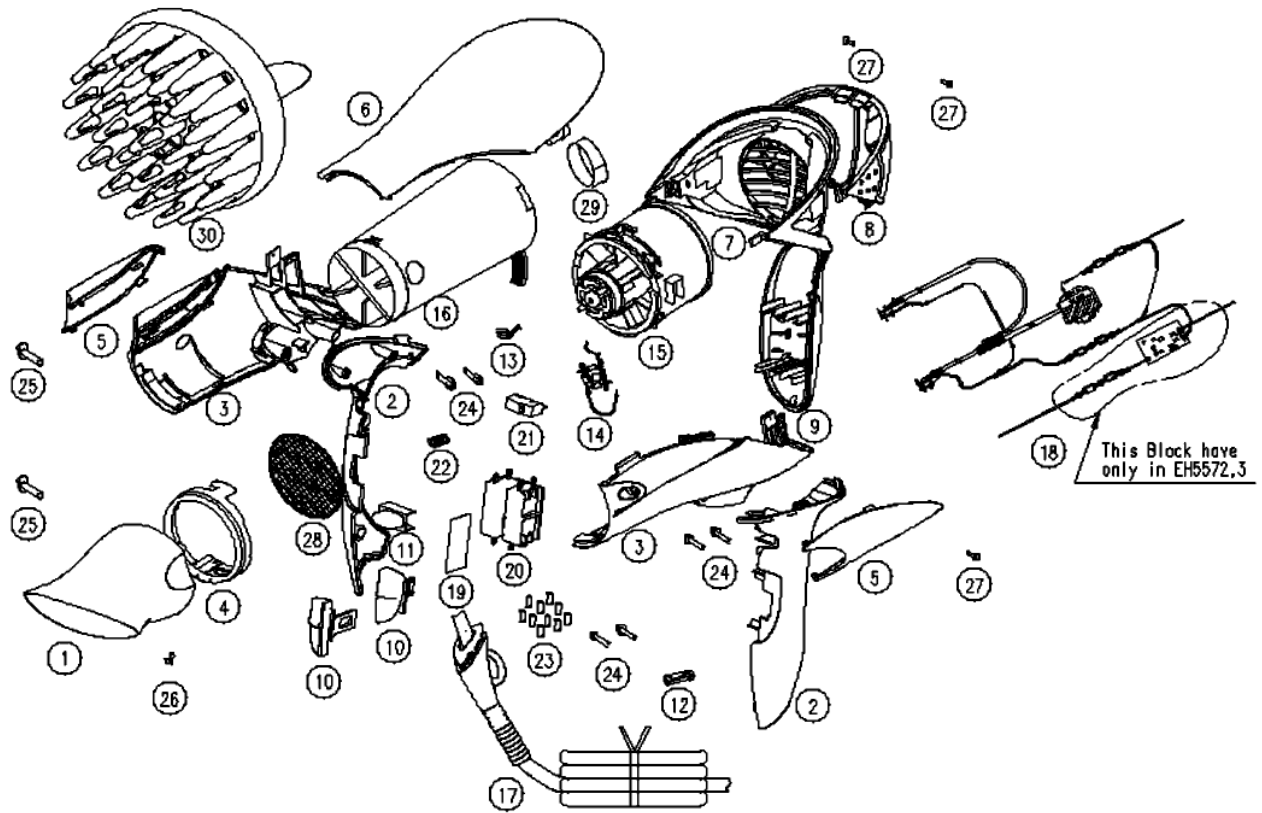
Model No. : EH5571 Parts List

Safety	Ref. No.	Part No.	Part Name & Description	Q'ty	Remarks
EH5571					
	1	EH5571NZBW	NOZZLE	1	BLACK
	2	EH5571HDHW	HANDLE AB	1	D/GRAY
	3	EH5571HSB8W	HOUSING AB	1	BLACK(S'PORE_HONG KONG_MALAYSIA)
	3	EH5571HSBW	HOUSING AB	1	BLACK(OTHERS)
	3	EH5571HSB7W	HOUSING AB	1	BLACK(KOREA)
	3	EH5571HSB2W	HOUSING AB	1	BLACK(RUSSIA_GERMANY)
	4	EH5573AORW	AIR OUTLET RING	1	CLEAR
	5	EH5571DCHW	DISCHARGE COVER AB	1	D/GRAY
	6	EH5571HSCBW	HOUSING C	1	BLACK
	7	EH5571AIRBW	AIR INLET RING	1	BLACK
	8	EH5571AIFBW	AIR INLET FRAME ASS'Y	1	BLACK
	9	EH5571EPBW	ELECTRIFICATION PANEL	1	BLACK
	10	EH5571MSPBW	MAIN SWITCH PLATE AB	1	BLACK
	11	EH5571CSBW	COOL SWITCH PUSH BUTTON	1	BLACK
	12	EH5571PCRBW	POWER CORD RETAINER	1	BLACK
	13	EH5571LTW	LOCKING TIE	1	
	14	EH5573RFBW	RECTIFIER ASS'Y	1	
	15	EH5573MBW	MOTOR ASS'Y B/K	1	
	16	EH5571HBW	HEATER ASS'Y BLOCK	1	1800W
	17	EH5571PC8S3W	POWER CORD ASS'Y	1	S3-PLUG(S'PORE_HONG KONG)
	17	EH5571PCS3W	POWER CORD ASS'Y	1	S3-PLUG(OTHERS)
	17	EH5571PC7B2W	POWER CORD ASS'Y	1	B2-PLUG(KOREA)
	17	EH5571PC2B2W	POWER CORD ASS'Y	1	B2-PLUG(RUSSIA_GERMANY)
	17	EH5571PCB2W	POWER CORD ASS'Y	1	B2-PLUG(OTHERS)
	18	EH5571DEAW	DISCHARGE ELECTRODE ASS'Y	1	OTHERS
	18	EH5571DEA2W	DISCHARGE ELECTRODE ASS'Y	1	KOREA_RUSSIA_GERMANY
	19	EH5573PMW	PLATE (MICA)	1	
	20	EH5571MSW	MAIN SWITCH	1	
	21	EH5571TSW	TEMPERATURE SWITCH	1	
	22	EH5571CSW	COOL SWITCH	1	
	23	EH5571CSPW	COOL SWITCH SPRING	1	
	24	EH5571ITBW	INSULATION TUBE	10	*1
	25	EH5571T3080W	TAPPING SCREW	6	3*8(*1)
	26	EH5571T3012W	TORX SRCEW	2	3*12(*1)
	27	EH5571T2004W	TAPPING SRCEW	1	2*4
	28	EH5571T2006W	TAPPING SRCEW	3	2*6(*1)
	29	EH5571AOGW	AIR OUTLET GRILL	1	
	30	EH5573IMW	INSULATOR FOR MOTOR	1	
	-	EH5571S01BW	INDIVIDUAL PACKAGE	1	BLACK(OTHERS)
	-	EH557166501W	INDIVIDUAL PACKAGE	1	BLACK(SAUDI ARABIA)
	-	EH557182501W	INDIVIDUAL PACKAGE	1	BLACK(RUSSIA_GERMANY)
	-	EH5571S03W	INSTRUCTION BOOKLET	1	OTHERS

Model No. : EH5571 Parts List

Safety	Ref. No.	Part No.	Part Name & Description	Q'ty	Remarks
	-	EH557182503W	INSTRUCTION BOOKLET	1	RUSSIA_GERMANY

Model No. : EH5572 Exploded View for EH5572



RMKS : * 1 Individual Available
All parts are supplied from PEW-Thailand throught PLGA

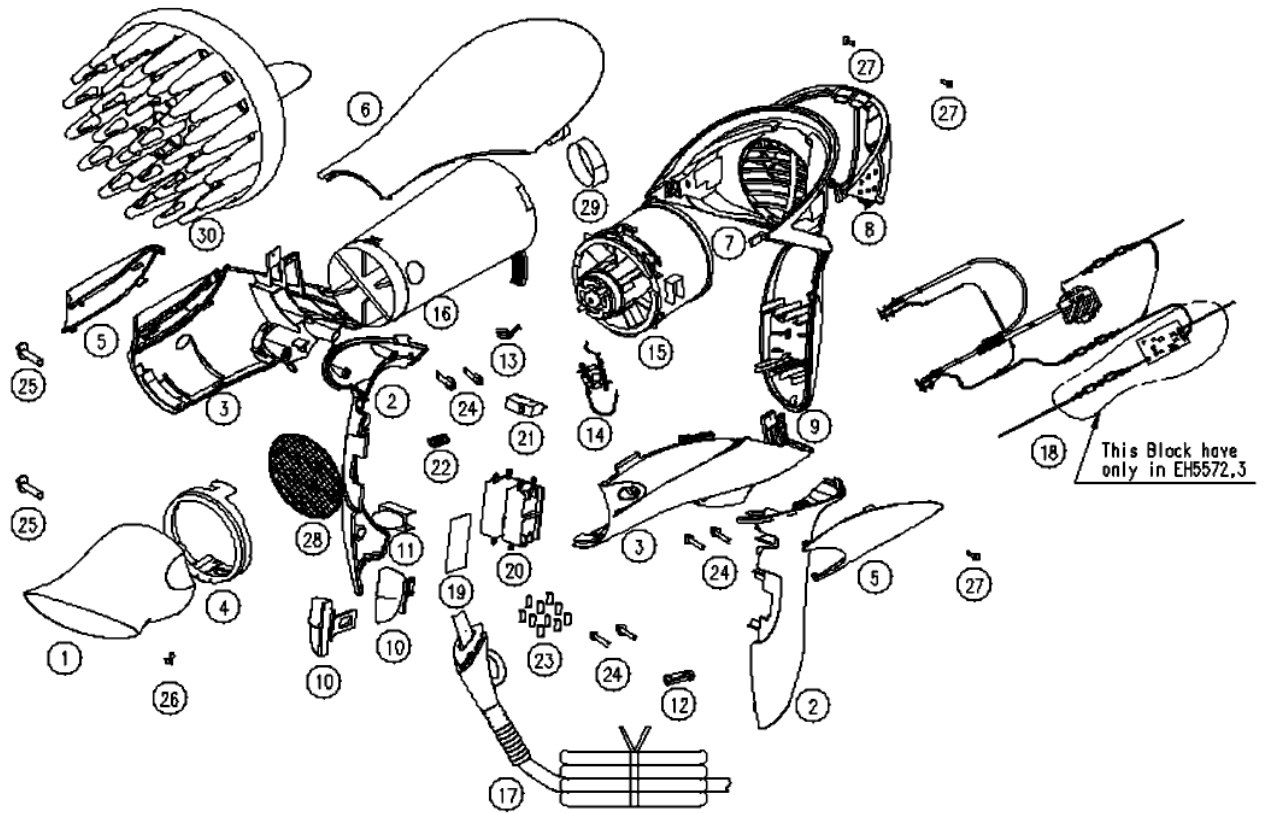
Model No. : EH5572 Parts List

Safety	Ref. No.	Part No.	Part Name & Description	Q'ty	Remarks
EH5572					
	1	EH5573NZLW	NOZZLE	1	BLUE
	2	EH5573HDHW	HANDLE AB	1	D/GRAY
	3	EH5572HSL8W	HOUSING AB	1	BLUE(S'PORE_HONG KONG_MALAYSIA)
	3	EH5572HSLW	HOUSING AB	1	BLUE(OTHERS)
	3	EH5572HSL7W	HOUSING AB	1	BLUE(KOREA)
	3	EH5572HSL2W	HOUSING AB	1	BLUE(RUSSIA_GERMANY)
	4	EH5573AORW	AIR OUTLET RING	1	CLEAR
	5	EH5572DCTW	DISCHARGE COVER AB	1	CLEAR
	6	EH5572HSCLW	HOUSING C	1	MET.BLUE
	7	EH5572AIRLW	AIR INLET RING	1	BLUE
	8	EH5573AIFLW	AIR INLET FRAME ASS'Y	1	D/BLUE
	9	EH5573EPLW	ELECTRIFICATION PANEL	1	D/BLUE
	10	EH5573MSPLW	MAIN SWITCH PLATE AB	1	D/BLUE
	11	EH5573CSLW	COOL SWITCH PUSH BUTTON	1	D/BLUE
	12	EH5571PCRBW	POWER CORD RETAINER	1	BLACK
	13	EH5571LTW	LOCKING TIE	1	
	14	EH5573RFBW	RECTIFIER ASS'Y	1	
	15	EH5573MBW	MOTOR ASS'Y B/K	1	
	16	EH5573HBW	HEATER ASS'Y BLOCK	1	2000W
	17	EH5573PC8S3W	POWER CORD ASS'Y	1	S3-PLUG(S'PORE_HONG KONG)
	17	EH5573PCS3W	POWER CORD ASS'Y	1	S3-PLUG(OTHERS)
	17	EH5573PC7B2W	POWER CORD ASS'Y	1	B2-PLUG(KOREA)
	17	EH5573PC2B2W	POWER CORD ASS'Y	1	B2-PLUG(RUSSIA_GERMANY)
	17	EH5573PCB2W	POWER CORD ASS'Y	1	B2-PLUG(OTHERS)
	18	EH5573DEAW	DISCHARGE ELECTRODE ASS'Y	1	OTHERS
	18	EH5573DEA2W	DISCHARGE ELECTRODE ASS'Y	1	KOREA_RUSSIA_GERMANY
	19	EH5573PMW	PLATE (MICA)	1	
	20	EH5571MSW	MAIN SWITCH	1	
	21	EH5571TSW	TEMPERATURE SWITCH	1	
	22	EH5571CSW	COOL SWITCH	1	
	23	EH5571CSPW	COOL SWITCH SPRING	1	
	24	EH5571ITBW	INSULATION TUBE	10	*1
	25	EH5571T3080W	TAPPING SCREW	6	3*8(*1)
	26	EH5571T3012W	TORX SRCEW	2	3*12(*1)
	27	EH5571T2004W	TAPPING SRCEW	1	2*4
	28	EH5571T2006W	TAPPING SRCEW	3	2*6(*1)
	29	EH5571AOGW	AIR OUTLET GRILL	1	
	30	EH5573IMW	INSULATOR FOR MOTOR	1	
	-	EH5572S01SW	INDIVIDUAL PACKAGE	1	SILVER(OTHERS)
	-	EH557266501W	INDIVIDUAL PACKAGE	1	SILVER(SAUDI ARABIA)
	-	EH557282501W	INDIVIDUAL PACKAGE	1	SILVER(RUSSIA_GERMANY)
	-	EH5571S03W	INSTRUCTION BOOKLET	1	OTHERS

Model No. : EH5572 Parts List

Safety	Ref. No.	Part No.	Part Name & Description	Q'ty	Remarks
	-	EH557182503W	INSTRUCTION BOOKLET	1	RUSSIA_GERMANY

Model No. : EH5573 Exploded View for EH5573



RMKS : * 1 Individual Available
All parts are supplied from PEW-Thailand throught PLGA

Model No. : EH5573 Parts List

Safety	Ref. No.	Part No.	Part Name & Description	Q'ty	Remarks
EH5573					
	1	EH5573NZLW	NOZZLE	1	BLUE
	2	EH5573HDHW	HANDLE AB	1	D/GRAY
	3	EH5573HSS8W	HOUSING AB	1	SILVER(S'PORE_HONG KONG_MALAYSIA)
	3	EH5573HSSW	HOUSING AB	1	SILVER(OTHERS)
	3	EH5573HSS7W	HOUSING AB	1	SILVER(KOREA)
	3	EH5573HSS2W	HOUSING AB	1	SILVER(RUSSIA_GERMANY)
	4	EH5573AORW	AIR OUTLET RING	1	CLEAR
	5	EH5573DCLW	DISCHARGE COVER AB	1	CLEAR BLUE
	6	EH5573HSCSW	HOUSING C	1	SILVER
	7	EH5573AIRSW	AIR INLET RING	1	SILVER
	8	EH5573AIFLW	AIR INLET FRAME ASS'Y	1	D/BUE
	9	EH5573EPLW	ELECTRIFICATION PANEL	1	D/BUE
	10	EH5573MSPLW	MAIN SWITCH PLATE AB	1	D/BUE
	11	EH5573CSLW	COOL SWITCH PUSH BUTTON	1	D/BUE
	12	EH5571PCRBW	POWER CORD RETAINER	1	BLACK
	13	EH5571LTW	LOCKING TIE	1	
	14	EH5573RFBW	RECTIFIER ASS'Y	1	
	15	EH5573MBW	MOTOR ASS'Y B/K	1	
	16	EH5573HBW	HEATER ASS'Y BLOCK	1	2000W
	17	EH5573PC8S3W	POWER CORD ASS'Y	1	S3-PLUG(S'PORE_HONG KONG)
	17	EH5573PCS3W	POWER CORD ASS'Y	1	S3-PLUG(OTHERS)
	17	EH5573PC7B2W	POWER CORD ASS'Y	1	B2-PLUG(KOREA)
	17	EH5573PC2B2W	POWER CORD ASS'Y	1	B2-PLUG(RUSSIA_GERMANY)
	17	EH5573PCB2W	POWER CORD ASS'Y	1	B2-PLUG(OTHERS)
	18	EH5573DEAW	DISCHARGE ELECTRODE ASS'Y	1	OTHERS
	18	EH5573DEA2W	DISCHARGE ELECTRODE ASS'Y	1	KOREA_RUSSIA_GERMANY
	19	EH5573PMW	PLATE (MICA)	1	
	20	EH5571MSW	MAIN SWITCH	1	
	21	EH5571TSW	TEMPERATURE SWITCH	1	
	22	EH5571CSW	COOL SWITCH	1	
	23	EH5571CSPW	COOL SWITCH SPRING	1	
	24	EH5571ITBW	INSULATION TUBE	10	*1
	25	EH5571T3080W	TAPPING SCREW	6	3*8(*1)
	26	EH5571T3012W	TORX SRCEW	2	3*12(*1)
	27	EH5571T2004W	TAPPING SRCEW	1	2*4
	28	EH5571T2006W	TAPPING SRCEW	3	2*6(*1)
	29	EH5571AOGW	AIR OUTLET GRILL	1	
	30	EH5573IMW	INSULATOR FOR MOTOR	1	
	31	EH5573DALW	DIFFUSER ASS'Y	1	D/BUE(OTHERS)
	31	EH5573DAL2W	DIFFUSER ASS'Y	1	D/BUE(RUSSIA_GERMANY)
	-	EH5573S01SW	INDIVIDUAL PACKAGE	1	SILVER(OTHERS)
	-	EH557366501W	INDIVIDUAL PACKAGE	1	SILVER(SAUDI ARABIA)

Model No. : EH5573 Parts List

Safety	Ref. No.	Part No.	Part Name & Description	Q'ty	Remarks
	-	EH557382501W	INDIVIDUAL PACKAGE	1	SILVER(RUSSIA_GERMANY)
	-	EH5571803W	INSTRUCTION BOOKLET	1	OTHERS
	-	EH557182503W	INSTRUCTION BOOKLET	1	RUSSIA_GERMANY