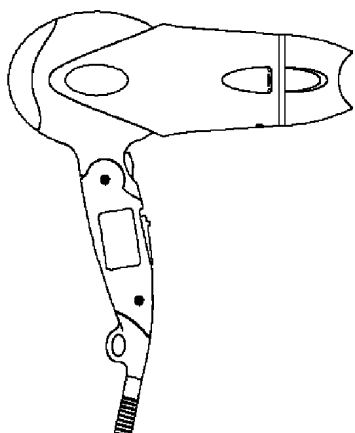


Service Manual

Hair Dryer



EH5471-A3

EH5472-A3

SPECIFICATIONS

Power source	AC110V, AC220-240V / 50-60Hz (Separately available)
Power consumption	Function "2-Turbo"..... 110V 1200W 220V 1300W 230V 1400W 240V 1500W
Air volume	1.6 m ³ /min(2-Turbo)
Air flow temperature	110V.....110°C(2-Turbo) 220 - 240V.....110°C(2-Turbo) (in case of room temperature 30°C)
Cord length	2.0 m(110V) 1.75 m (220-240V)

WARNING

This service information is designed for experienced repair technicians only and is not designed for use by the general public. It does not contain warnings or cautions to advise non-technical individuals of potential dangers in attempting to service a product. Products powered by electricity should be serviced or repaired only by experienced professional technicians. Any attempt to service or repair the product or products dealt with in this service information by anyone else could result in serious injury or death.

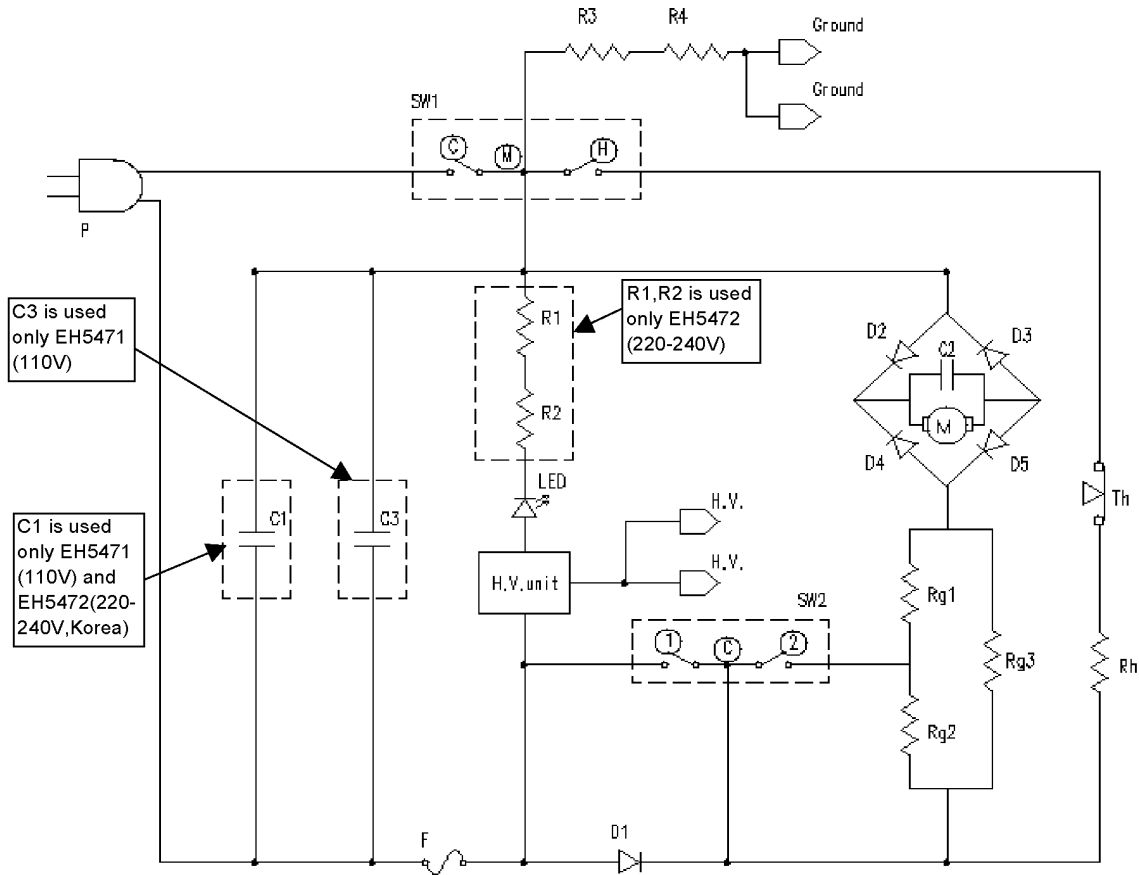
CONTENTS

	Page		Page
1 SCHEMATIC DIAGRAM	2	5 TROUBLESHOOTING GUIDE	7
2 WIRING CONNECTION DIAGRAM	3	6 EXPLODED VIEW	8
3 ASSEMBLY INSTRUCTIONS	4	7 REPLACEMENT PARTS LIST	9
4 DISASSEMBLY INSTRUCTIONS	6		

Panasonic

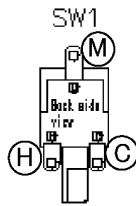
© 2005 Matsushita Electric Works, Ltd. All rights reserved. Unauthorized copying and distribution is a violation of law.

1 SCHEMATIC DIAGRAM



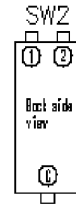
SW1 (PS-304T)

Function	(M) ~ (C)	(M) ~ (H)
OFF	X	X
HOT	O	O
COLD	O	X



SW2 (SLS-13-719)

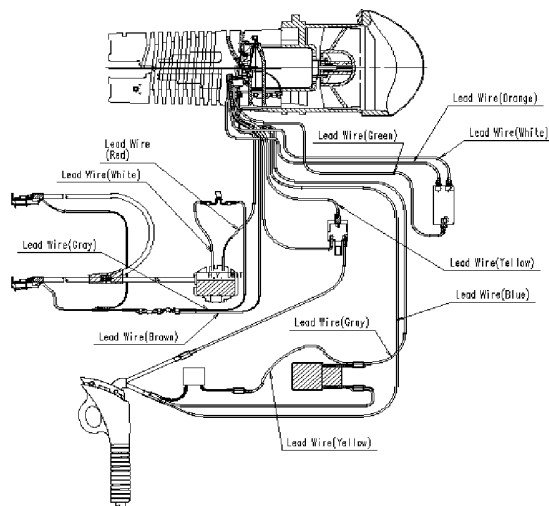
Function	(C) ~ (1)	(C) ~ (2)
0(set)	X	X
1(dry)	O	X
2(Turbo)	O	O



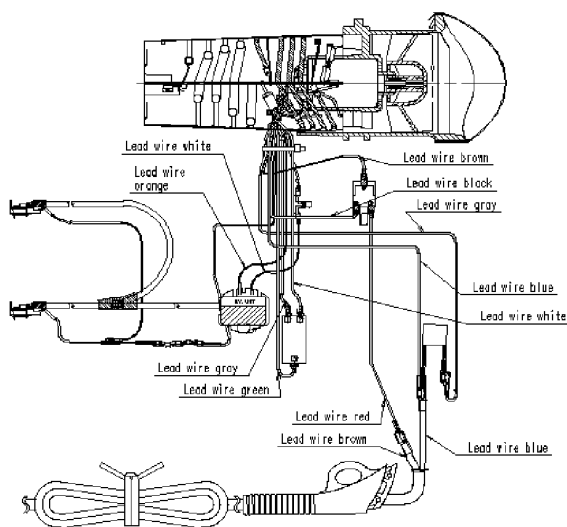
O = On, X = Off

		110V (TAIWAN)	220-240V (KOREA)	220-240V (OTHER)
C1	CAPACITOR	0.1 μF, 275V	0.22 μF, 275V	NOT USE
C2	CAPACITOR	0.1 μF, 50VDC		
C3	CAPACITOR	0.47 μF, 275V	NOT USE	
D1	DIODE	600V, 5A		
D2, D3, D4, D5	DIODE (BRIDGE)	400V, 2A		
F	TEMPERATURE FUSE	147°C, 250V, 12A		
M	MOTOR	DC 24V		
SW1	MAIN SWITCH	AC 125V/13A ; 250V/6.5A		
SW2	SELECT SWITCH	AC 125V/13A ; 250V/6.5A		
TH	THERMO SWITCH	120±5°C		
Rh	HEATER COIL	11.6±0.6Ω	50.8±2.0Ω	
Rg1//Rg3	VOLTAGE DROPPING RESISTOR	56.5±2.8Ω	139.0±6.0Ω	
(Rg1+Rg2)//Rg	VOLTAGE DROPPING RESISTOR	62.7±3.0Ω	159.8±6.0Ω	

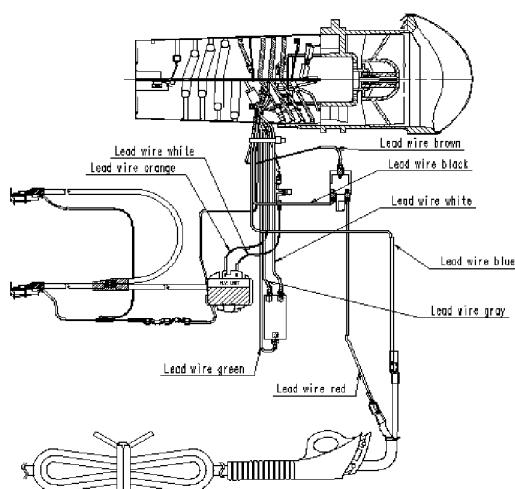
2 WIRING CONNECTION DIAGRAM



(1) 110V
(For Taiwan)



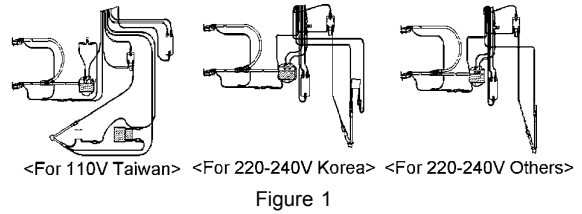
(2) 220~240V
(For Korea)



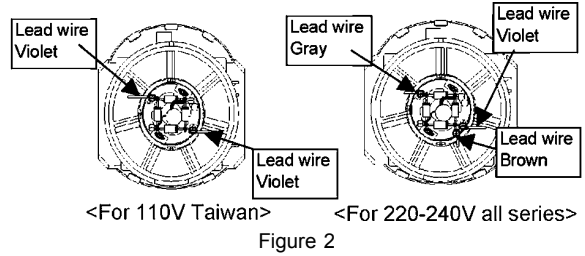
(3) 220~240V
(For Other Country)

3 ASSEMBLY INSTRUCTIONS

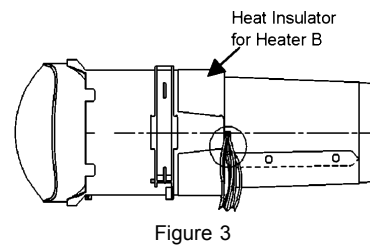
(*) Caution for soldering lead wire on Main switch and Select switch. Location and orientation of lead wire must be as shown in Figure 1.



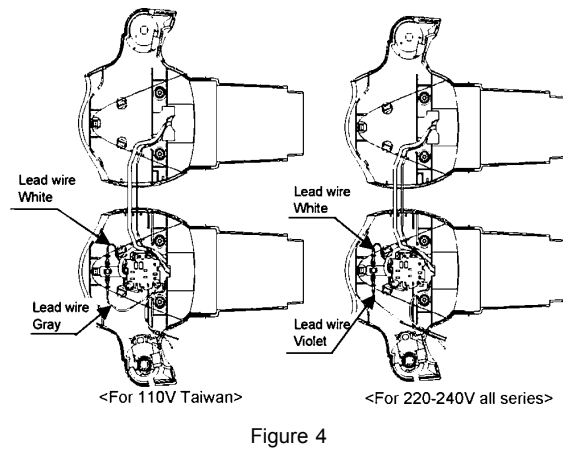
1. Connect rectifier to motor block as shown in Figure 2.



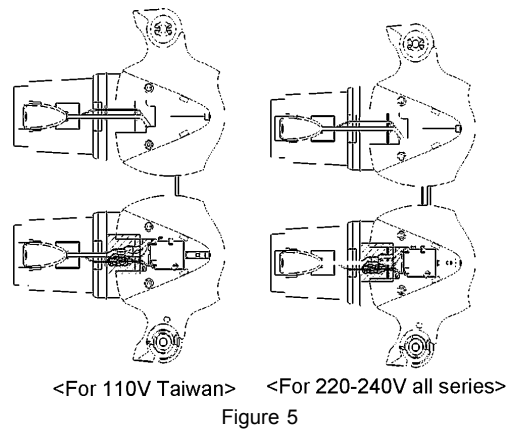
2. Inset all lead wire through Heater Insulator ,then install" Heat Insulator for Heater B as indicated position as shown in Figure 3.



3. Install LED, PCB and arrange lead wire as shown in Figure 4.



4. Install Discharge Cover, arrange lead wire, attach Polyester tape as Figure 5.



5. Install LED cover and assembly Outside Housing A/B as Figure 6.

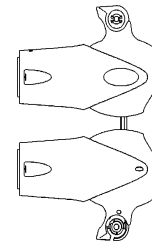


Figure 6

6. Fasten lead wires with Belt, then install Air Flow Block into Housing B, then assembly Housing A as shown in Figure 7.

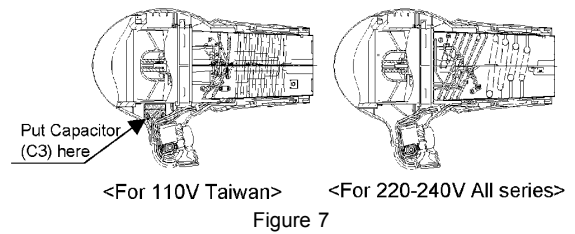


Figure 7

7. Install Power Cord, Bushing, High Low Switch plate, Select Switch and drive with 2 screws as shown in Figure 8.

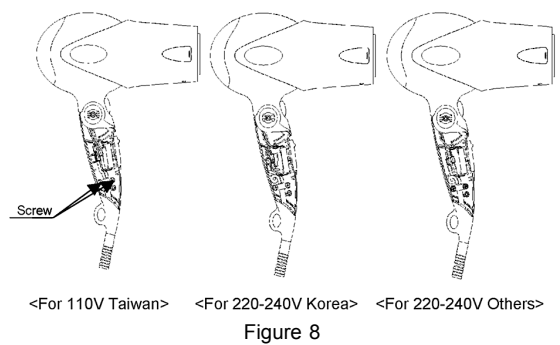


Figure 8

8. Assembly Swivel Ring, brush Swivel Ring with Grease as shown in Figure 9.

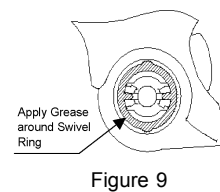


Figure 9

9. Assembly Handle A and drive with torx screw as shown in Figure 10.

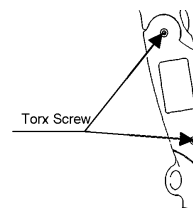


Figure 10

10. Put Air Outlet Grill in Air Outlet Ring, assembly Air Outlet Ring with Housing by rotate clockwise, drive with screw as shown, then finally attached with nozzle as shown in Figure 11.

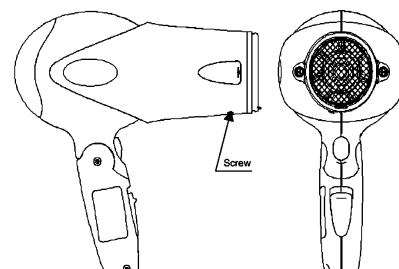


Figure 11

4 DISASSEMBLY INSTRUCTIONS

1. Remove the 2 torx screws from main body with a torx head driver as shown in Figure 12.

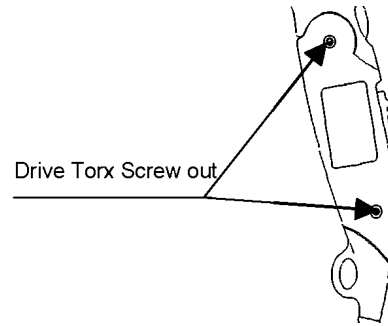


Figure 12

2. Remove screw from Air Outlet Ring and rotate counterclockwise then pull out as shown in Figure 13.

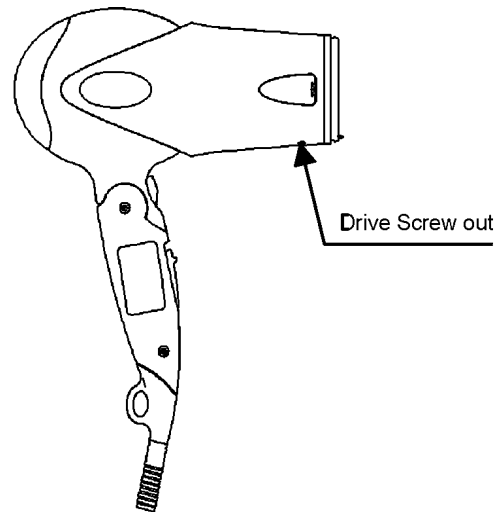


Figure 13

3. Separate Housing A & B by apply separate force at indicated position as shown in Figure 14.

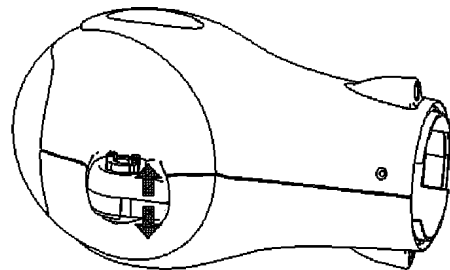


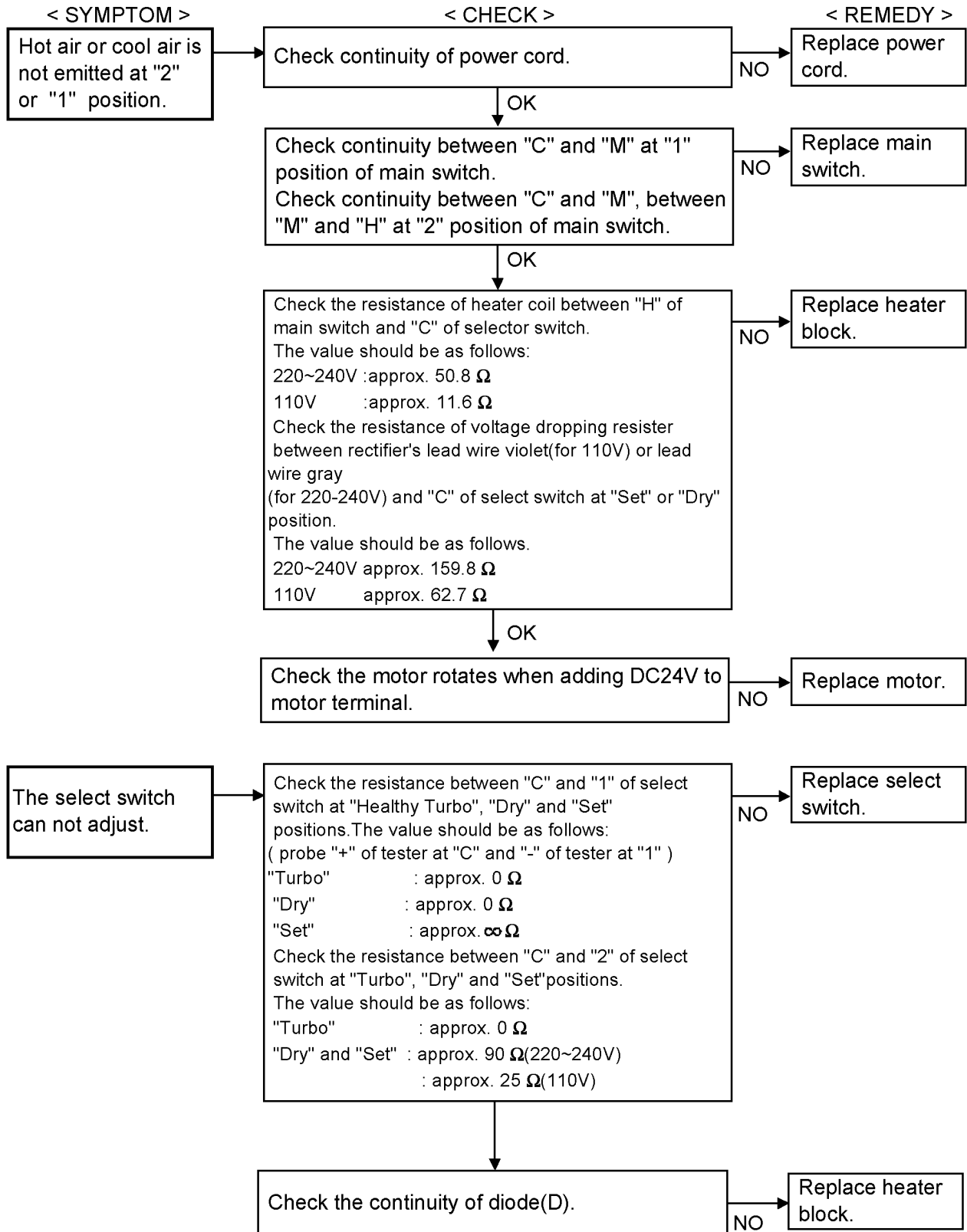
Figure 14

4. Separate Outside Housing from Inside Housing by apply force at indicated position as shown in Figure 15.

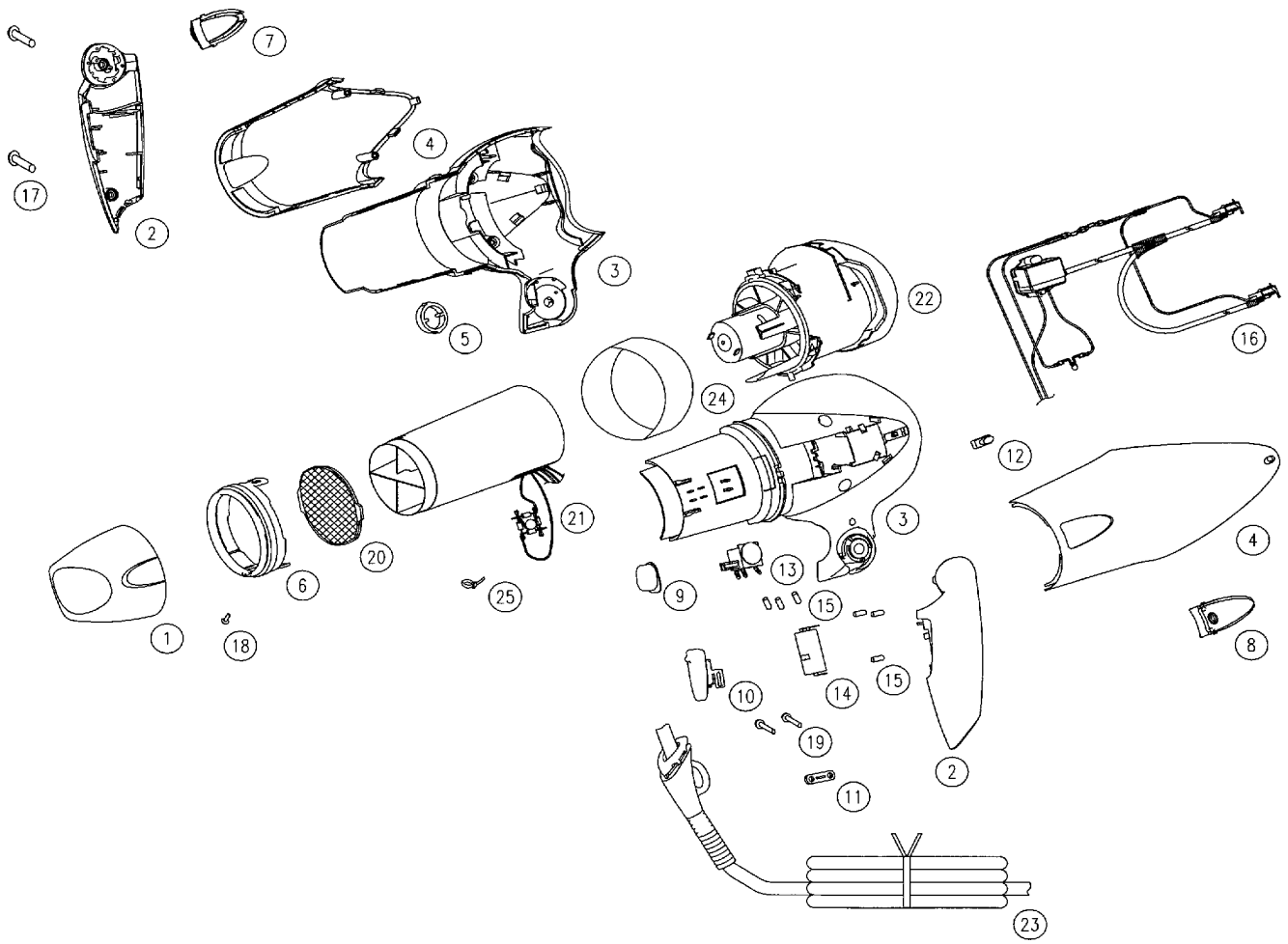


Figure 15

5 TROUBLESHOOTING GUIDE



6 EXPLODED VIEW



7 REPLACEMENT PARTS LIST

7.1. EH5471

RMKS: *1= Available individually

Ref. No.	Part No.	Part Name & Description	Per Unit	RMKS	
1	EH5472NZLW	NOZZLE	1	LIGHT BLUE	
1	EH5472NZW	NOZZLE	1	CLEAR	
2	EH5471HDLW	HANDLE AB	1	BLUE	Taiwan 110V
2	EH5471HHDW	HANDLE AB	1	PALE GRAY	Taiwan 110V
3	EH5472IHSLW	INSIDE HOUSING AB	1	BLUE	
3	EH5472IHSHW	INSIDE HOUSING AB	1	PALE GRAY	
4	EH5471OHSLW	OUTSIDE HOUSING AB	1	BLUE	Taiwan 110V
4	EH5471OHSHW	OUTSIDE HOUSING AB	1	GRAY	Taiwan 110V
5	EH5472SRTW	SWIVEL RING	1		
6	EH5472AORW	AIR OUTLET GRILL	1		
7	EH5472DCCW	DISCHARGE COVER A (COATING)	1		
8	EH5472DCPW	DISCHARGE COVER B (PRINTING)	1		
9	EH5472MSPBHW	MAIN SWITCH PUSH BUTTON	1	LIGHT GRAY	
10	EH5472HLSPLW	HIGH/LOW SWITCH PLATE	1	BLUE	
10	EH5472HLSPHW	HIGH/LOW SWITCH PLATE	1	LIGHT GRAY	
11	EH5472PCRBW	POWER CORD RETAINER	1	BLACK	
12	EH5472LCW	LED COVER	1		
13	EH5472MSW	MAIN SWITCH	1		
14	EH5472SSW	SELECT SWITCH	1		
15	EH5472ITBW	INSULATION TUBE	6		*1
16	EH5471DEAW	DISCHARGE ELECTRODE ASS`Y	1		
17	EH54723012BW	TAPPING SCREW	2	3*12 BLACK	*1
17	EH54723012SW	TAPPING SCREW	2	3*12 SILVER	*1
18	EH54722004W	TAPPING SCREW	1	2*4	
19	EH54723080W	TAPPING SCREW	2	3*8	*1
20	EH5472AOGW	AIR OUTLET GRILL	1		
21	EH5471HBW	HEATER ASS`Y BLOCK	1		
22	EH5472MBW	MOTOR ASS`Y BLOCK	1		
23	EH5471PCA2W	POWER CORD ASS`Y	1		A2 Plug 110V
24	EH5472HIHBW	HEAT INSULATOR FOR HEATER B	1		
25	EH5472LTW	LOCKING TIE	1		
-	EH5471S01LW	INDIVIDUAL PACKAGE	1	BLUE	
-	EH5471S01SW	INDIVIDUAL PACKAGE	1	SILVER	
-	EH5472S03W	INSTRUCTION BOOKLET	1		
-	EH5472S09W	FILLER FOR PACKAGE	1		

RMKS : * 1 Individual Available

All parts are supplied from MEW-Thailand throught PLGA

7.2. EH5472

RMKS: *1= Available individually

Ref. No.	Part No.	Part Name & Description	Per Unit	RMKS		
1	EH5472NZLW	NOZZLE	1	LIGHT BLUE		
1	EH5472NZW	NOZZLE	1	CLEAR		
2	EH5472HDL2W	HANDLE AB	1	BLUE	others	220-240V"
2	EH5472HDH2W	HANDLE AB	1	PALE GRAY	others	220-240V"
2	EH5472HDL7W	HANDLE AB	1	BLUE	Korea	
2	EH5472HDH7W	HANDLE AB	1	PALE GRAY	Korea	
3	EH5472IHSLW	INSIDE HOUSING AB	1	BLUE		
3	EH5472IHSHW	INSIDE HOUSING AB	1	PALE GRAY		
4	EH5472OHSW	OUTSIDE HOUSING AB	1	BLUE	others	220-240V"
4	EH5472OHSW	OUTSIDE HOUSING AB	1	GRAY	others	220-240V"
4	EH5472OHSL8W	OUTSIDE HOUSING AB	1	BLUE	S'pore HK	
4	EH5472OHS8W	OUTSIDE HOUSING AB	1	GRAY	S'pore HK	
5	EH5472SRTW	SWIVEL RING	1			
6	EH5472AORW	AIR OUTLET GRILL	1			
7	EH5472DCCW	DISCHARGE COVER A (COATING)	1			
8	EH5472DCPW	DISCHARGE COVER B (PRINTING)	1			
9	EH5472MSPBHW	MAIN SWITCH PUSH BUTTON	1	LIGHT GRAY		
10	EH5472HLSPLW	HIGH/LOW SWITCH PLATE	1	BLUE		
10	EH5472HLSPHW	HIGH/LOW SWITCH PLATE	1	LIGHT GRAY		
11	EH5472PCRBW	POWER CORD RETAINER	1	BLACK		
12	EH5472LCW	LED COVER	1			
13	EH5472MSW	MAIN SWITCH	1			
14	EH5472SSW	SELECT SWITCH	1			
15	EH5472ITBW	INSULATION TUBE	6		*1	
16	EH5472DEAW	DISCHARGE ELECTRODE ASS'Y	1			
17	EH54723012BW	TAPPING SCREW	2	3*12	BLACK	*1
17	EH54723012SW	TAPPING SCREW	2	3*12	SILVER	*1
18	EH54722004W	TAPPING SCREW	1	2*4		
19	EH54723080W	TAPPING SCREW	2	3*8	*1	
20	EH5472AOGW	AIR OUTLET GRILL	1			
21	EH5472HBW	HEATER ASS'Y BLOCK	1			
22	EH5472MBW	MOTOR ASS'Y BLOCK	1			
23	EH5472PCS3W	POWER CORD ASS'Y	1		S3 Plug	S'pore
23	EH5472PCCB2W	POWER CORD ASS'Y	1		B2 Plug	Korea
23	EH5472PCB2W	POWER CORD ASS'Y	1		B2 Plug	Others
24	EH5472HIHBW	HEAT INSULATOR FOR HEATER B	1			
25	EH5472LTW	LOCKING TIE	1			
-	EH5472S01LW	INDIVIDUAL PACKAGE	1	BLUE		
-	EH5472S01SW	INDIVIDUAL PACKAGE	1	SILVER		
-	EH5472S03W	INSTRUCTION BOOKLET	1			
-	EH5472S09W	FILLER FOR PACKAGE	1			

RMKS : * 1 Individual Available

All parts are supplied from MEW-Thailand through PLGA