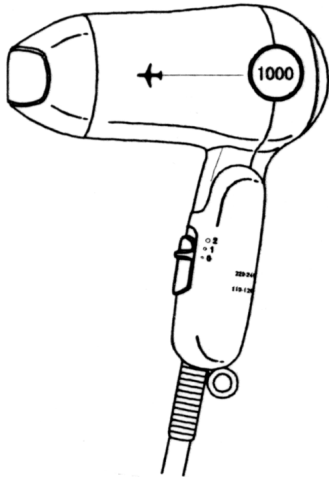


Service Manual

Hair Dryer

EH5287-A3



SPECIFICATIONS

Power Source	AC110-120V, 220-240V / 50-60Hz	Air Volume	0.8m ³ /min (2)
Power Consumption	Function "2".....110V/220V, 800W	Air Flow Temperature	110-120V, 105°C (2)
	230V, 900W		220-240V, 105°C (2)
	120V/240V, 1000W		(In case of room temperature 30°C)
	Function "1".....110V/220V, 400W	Cord Length	1.75m
	230V, 450W	Weight	400g
	120V/240V, 500W		

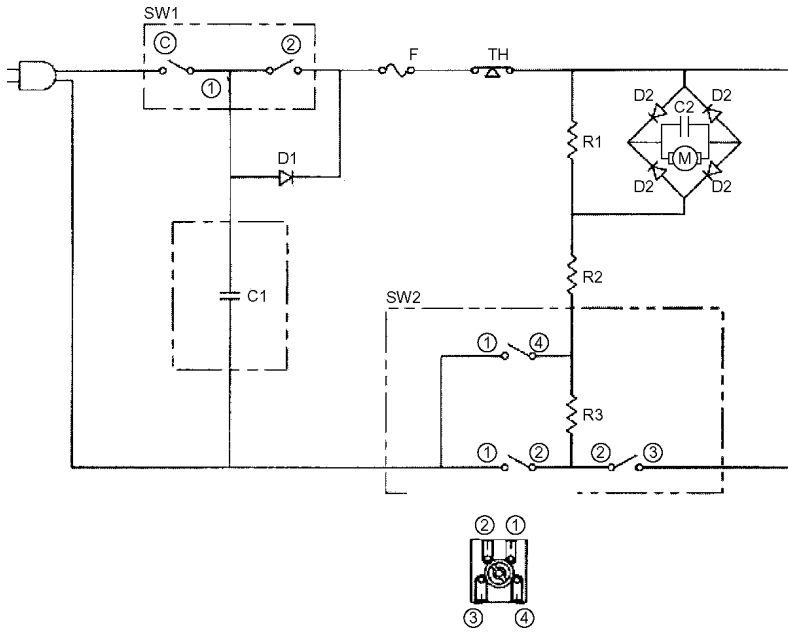
⚠ WARNING

This service information is designed for experienced repair technicians only and is not designed for use by the general public. It does not contain warnings or cautions to advise non-technical individuals of potential dangers in attempting to service a product. Products powered by electricity should be serviced or repaired only by experienced professional technicians. Any attempt to service or repair the product or products dealt with in this service information by anyone else could result in serious injury or death.

CONTENTS

	Page		Page
1 SCHEMATIC DIAGRAM	2	5 TROUBLESHOOTING GUIDE	7
2 WIRING CONNECTION DIAGRAM	3	6 EXPLODED VIEW	8
3 ASSEMBLY INSTRUCTIONS	4	7 REPLACEMENT PARTS LIST	8
4 DISASSEMBLY INSTRUCTIONS	6		

1 SCHEMATIC DIAGRAM



SW1 Main switch

Function	① ~ ②	① ~ ②
0	x	x
1	○	x
2	○	○

O = ON

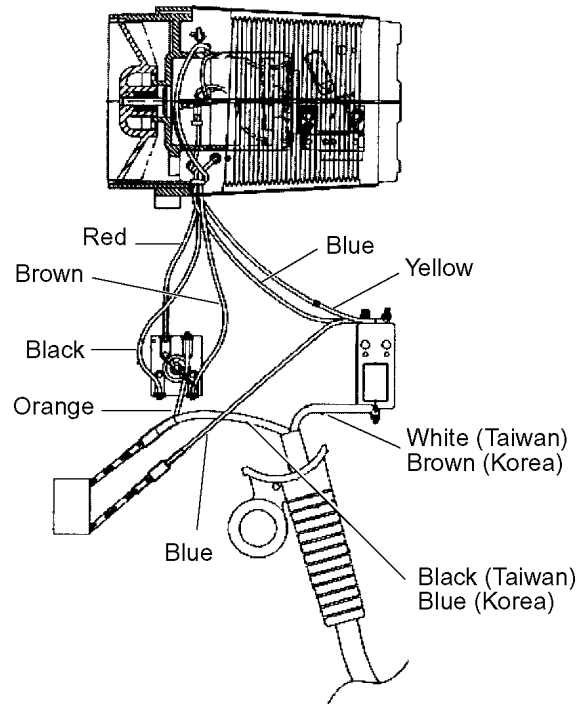
X = OFF

SW2 (Select Voltage Switch)

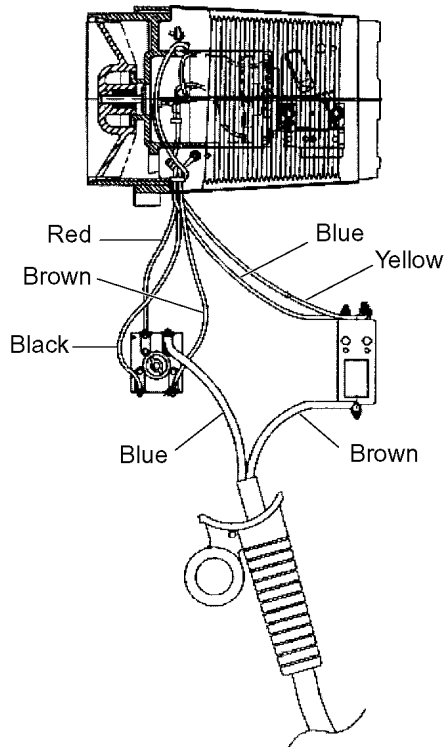
Function	① ~ ②	① ~ ④	② ~ ③
110-120V	x	○	○
220-240V	○	x	x

		110-120V/220-240V (TAIWAN)	110-120V/220-240V (KOREA)	110-120V/220-240V (OTHERS)
C1	CAPACITOR	0.1 μ F, 275V		NOT USE
C2	CAPACITOR (FOR MOTOR)	0.1 μ F, DC50 V		
D1	DIODE	600V, 5A		
D2 (x4)	DIODE (BRIDGE)	400V, 2A		
F	TEMPERATURE FUSE	147°C, 250V, 12A		
M	MOTOR	DC 15V		
SW1	MAIN SWITCH	AC 125V/13A; 250V/6.5A		
SW2	SELECT VOLTAGE SWITCH	AC 125V/10A; 250V/5A		
TH	THERMO SWITCH	110 \pm 5°C; AC125V/16A; AC250V/10A		
R1+R2+R3	HEATHER COIL	60.5 \pm 1.5 Ω		

2 WIRING CONNECTION DIAGRAM



< for Taiwan, Korea >



< for Others >

3 ASSEMBLY INSTRUCTIONS

CAUTION:

When soldering lead wires on the main switch & the select voltage switch, location and orientation of lead wire must be as shown in Figure 1.

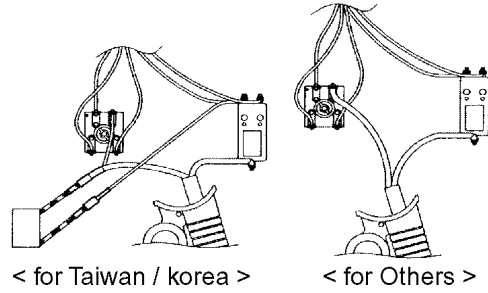


Figure 1

1. Assemble the heater into slots of motor block assembly as shown in Figure 2.

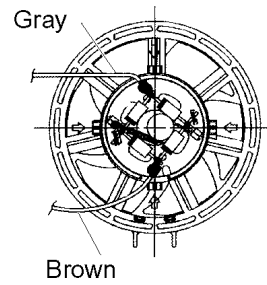


Figure 2

2. Solder gray and brown lead wires into the heater as shown in Figure 3.

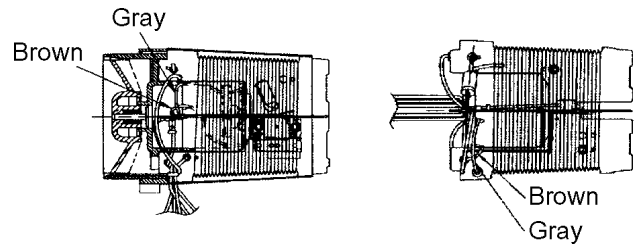


Figure 3

3. Insert the blue, brown, red, yellow, black lead wires between the guide post of air flow assembly, and align heater insulator slot and lead wires as shown in Figure 4.

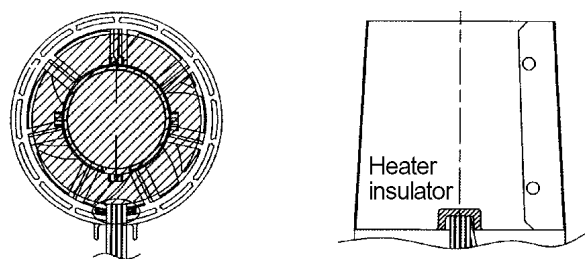


Figure 4

4. Set air outlet grill and outlet ring to heater block by aligning rib of air outlet ring and slot of front housing as shown in Figure 5.

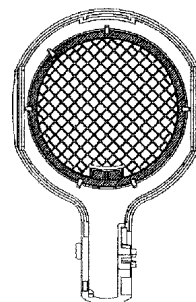


Figure 5

5. Put heater block into front housing by aligning heater base board and air outlet ring.
6. Assemble back housing and front housing, then Install swivel ring into the housing as shown in Figure 6.

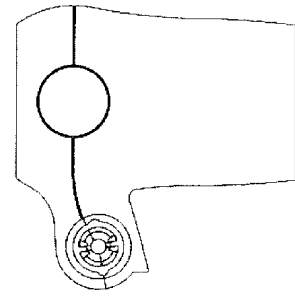


Figure 6

7. Install handle B into the housing.

NOTE:

Make sure of aligning all lead wires and right hand side of screw bush as shown in Figure 7.

8. Install main switch plate, main switch, lead wires into housing B as shown in Figure 7.
9. Set power cord and bushing, then fasten 2 screws to power cord retainer as shown in Figure 7.
10. Install select voltage switch into handle B as shown in Figure 7.
11. Install capacitor into handle B as shown in Figure 7.

NOTE: For Taiwan and Korea model only

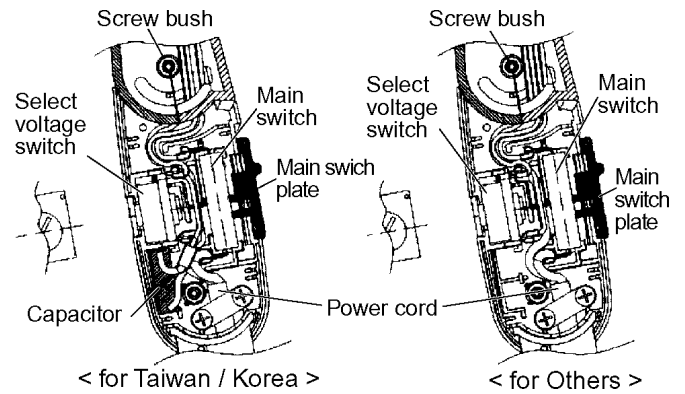


Figure 7

12. Assemble handle A and handle B, then fasten 2 torque screws as shown in Figure 8.

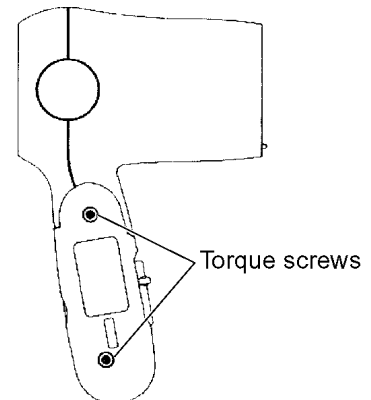


Figure 8

13. Assemble air inlet grill into back housing by aligning mark of air inlet grill mesh and mark of back housing as shown in Figure 9.

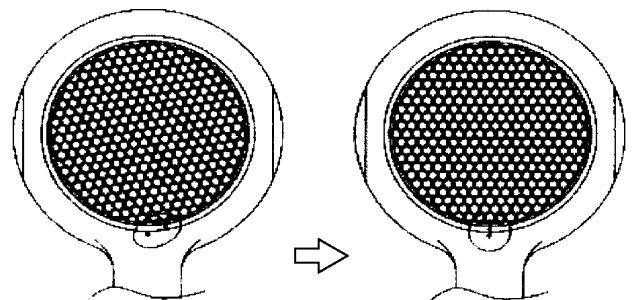


Figure 9

4 DISASSEMBLY INSTRUCTIONS

1. Remove 2 torque screws from handle by using Torque head driver as shown in Figure 10.

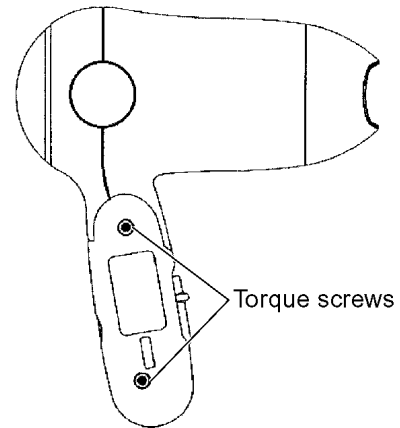


Figure 10

2. Remove swivel ring and remove hook of back housing From front housing. (See Figure 11)

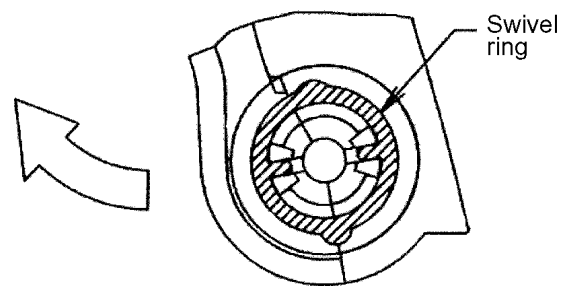


Figure 11

3. Remove 2 tapping screws from power cord retainer.

4. Remove the motor block, heater block, main switch and select voltage switch.

5 TROUBLESHOOTING GUIDE

NOTE: Refer to WIRING CONNECTION DIAGRAM.

< TROUBLE >

< CHECK >

< REMEDY >

Hot air is not emitted
at "2" or "1" position.

→

Check the continuity of power cord.

NO

→

Replace the power cord.

↓ OK

Check the resistance between "C" and "1" of the main switch at
"2", "1" and "0" positions. The value should be as follows:

"2" : approx. 0Ω

"1" : approx. 0Ω

"0" : approx. $\infty\Omega$

Check the resistance between "C" and "2" of the main switch at
"2", "1" and "0" positions. The value should be as follows:

"2" : approx. 0Ω

"1" and "0" : approx. $\infty\Omega$

NO

→

Replace the connector cover.

↓ OK

Check continuity of select voltage switch between (1) and (4),
(2) and (3) at "110-120V" position, and between (1) and (2)
at "220-240V" position.

NOTE: The position of the main switch must be "0".

NO

→

Replace the heater block.

↓ OK

Check the resistance of heater coil between red and yellow lead wires.
The value should be approx. $60.5 \pm 1.5\Omega$.

NO

→

Replace the heater block.

↓ OK

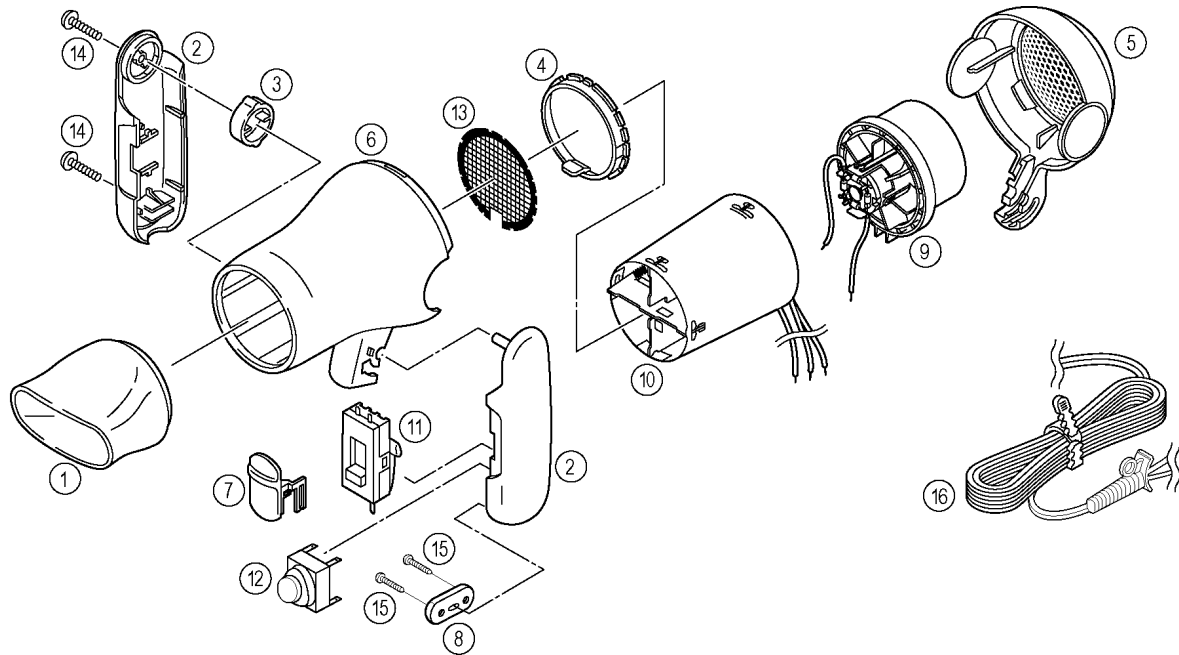
Check the motor rotates when adding DC 15V to motor terminal.
(Apply positive voltage to terminal closest to red mark.)

NO

→

Replace the motor.

6 EXPLODED VIEW



7 REPLACEMENT PARTS LIST

NOTES: All parts are supplied from MEW-Thailand.

Remarks: *1 = Available individually

Ref.No.	Part No.	Part Name & Descriptions	Remarks	Per Unit
1	EH5287NZLW	NOZZLE (BLUE)		1
1	EH5287NZHW	NOZZLE (GRAY)		1
2	EH5287HDL1W	HANDLE A/B (BLUE)	for TAIWAN	1
2	EH5287HDH1W	HANDLE A/B (GRAY)	for TAIWAN	1
2	EH5287HDL2W	HANDLE A/B (BLUE)	for OTHERS	1
2	EH5287HDH2W	HANDLE A/B (GRAY)	for OTHERS	1
2	EH5287HDL7W	HANDLE A/B (BLUE)	for KOREA	1
2	EH5287HDH7W	HANDLE A/B (GRAY)	for KOREA	1
3	EH5287SRW	SWIVEL RING (NATURAL)		1
4	EH5287AORHW	AIR OUTLET RING (GRAY)		1
5	EH5287BHSLW	BACK HOUSING (BLUE)		1
5	EH5287BHSHW	BACK HOUSING (GRAY)		1
6	EH5287FHSLW	FRONT HOUSING (BLUE)		1
6	EH5287FHSHW	FRONT HOUSING (GRAY)		1
7	EH5287HLSLW	MAIN SWITCH PLATE (BLUE)		1
7	EH5287HLSHW	MAIN SWITCH PLATE (GRAY)		1
8	EH5287PCRBW	POWER CORD RETAINER (BLACK)		1
9	EH5287MBW	MOTOR ASS'Y BLOCK		1
10	EH5287HBW	HEATER ASS'Y BLOCK		1
11	EH5287MSW	MAIN SWITCH		1
12	EH5287SSH	SELECT VOLTAGE SWITCH (GRAY)		1
13	EH5287AOGW	AIR OUTLET GRILL		1
14	EH52873012W	TAPPING SCREW 3x12	*1	2
15	EH52873080W	TAPPING SCREW 3x8	*1	2
16	EH5287PCA2W	POWER CORD ASS'Y	A2 PLUG TAIWAN	1
16	EH5287PCS3W	POWER CORD ASS'Y	S3 PLUG S'POR/HK/MALAYSIA	1
16	EH5287PCC2W	POWER CORD ASS'Y	C2 PLUG OTHERS	1
16	EH5287PCB2W	POWER CORD ASS'Y	B2 PLUG KOREA	1
-	EH5287S01LW	INDIVIDUAL PACKAGE (BLUE)		1
-	EH5287S01HW	INDIVIDUAL PACKAGE (GRAY)		1
-	EH5287S03W	INSTRUCTION BOOKLET		1
-	EH5287S09W	FILLER FOR PACKAGE		1