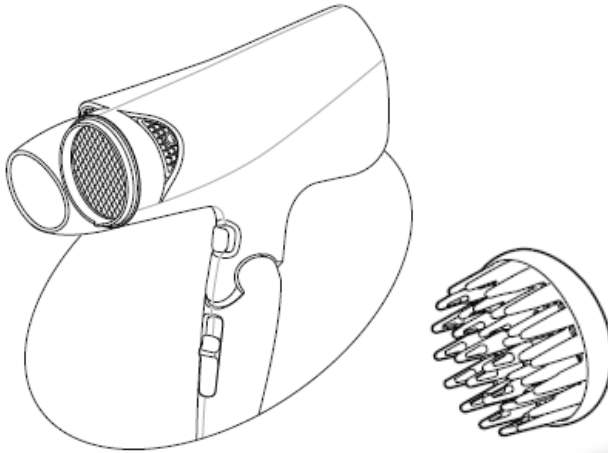


Service Manual

(Household) Hair Dryer

Model No. EH-NE71
EH-NE72

Asia



⚠ WARNING

This service information is designed for experienced repair technicians only and is not designed for use by the general public. It does not contain warnings or cautions to advise non-technical individuals of potential dangers in attempting to service a product. Products powered by electricity should be serviced or repaired only by experienced professional technicians. Any attempt to service or repair the product or products dealt with in this service information by anyone else could result in serious injury or death.

IMPORTANT SAFETY NOTICE

There are special components used in this equipment which are important for safety. These parts are marked by ⚠ in the Schematic Diagrams, Circuit Board Diagrams, Exploded Views and Replacement Parts List. It is essential that these critical parts should be replaced with manufacturer's specified parts to prevent shock, fire or other hazards. Do not modify the original design without permission of manufacturer.

TABLE OF CONTENTS

	PAGE
1 Warning	2
2 Specifications	2
3 Troubleshooting Guide	3
4 Disassembly and Assembly Instructions	4
4.1 Disassembly instruction.....	4
4.2 Assembly Instructions 1.....	5
4.2 Assembly Instructions 2.....	6
5 Wiring Connection Diagram.....	7
6 Schematic Diagram	8
7 Exploded View & Replacement Parts List	9
7.1 Exploded View for EH-NE71/72	9
7.2 Parts List for EH-NE71/72	10

Panasonic

© Panasonic Corporation 2016 Unauthorized copying and distribution is a violation of law.

1. Warning

Caution:

- Pb free solder has a higher melting point than standard solder; Typically the melting point is 50 - 70°F (30 - 40°C) higher. Please use a soldering iron with temperature control and adjust it to 750 ±20°F (400 ± 10 °C). In case of using high temperature soldering iron, please be careful not to heat too long.
- Pb free solder will tend to splash when heated too high (about 1100°F / 600°C).

2. Specifications

Power source	AC 220-240 V 50-60 Hz
Power consumption	Approx. "3" Turbo 220 V ~ 1700 W 230 V ~ 1850 W
Air volume without nozzle	1.80 m ³ /min
Air flow temperature ("3" Turbo)	110 C (in case of room temperature 30°C)
Dimensions	(W) 92 x (L) 173 x (H) 227 mm
Cord length	L = 1.7 m
Weight	Approx. 440 g (Without cord and Without Nozzle)

Supplied accessory	EH-NE71	Set nozzle
	EH-NE72	Set nozzle , Diffuser

3 TROUBLESHOOTING GUIDE

Refer to WIRING CONNECTION DIAGRAM.

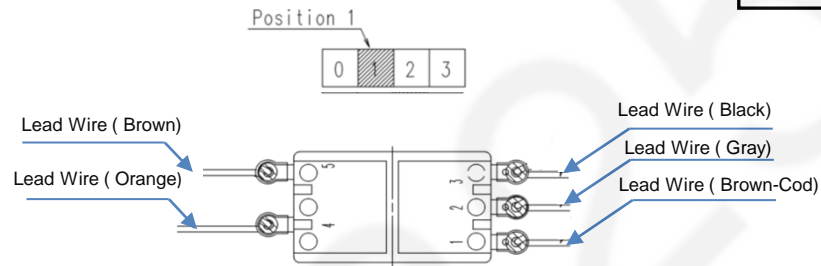
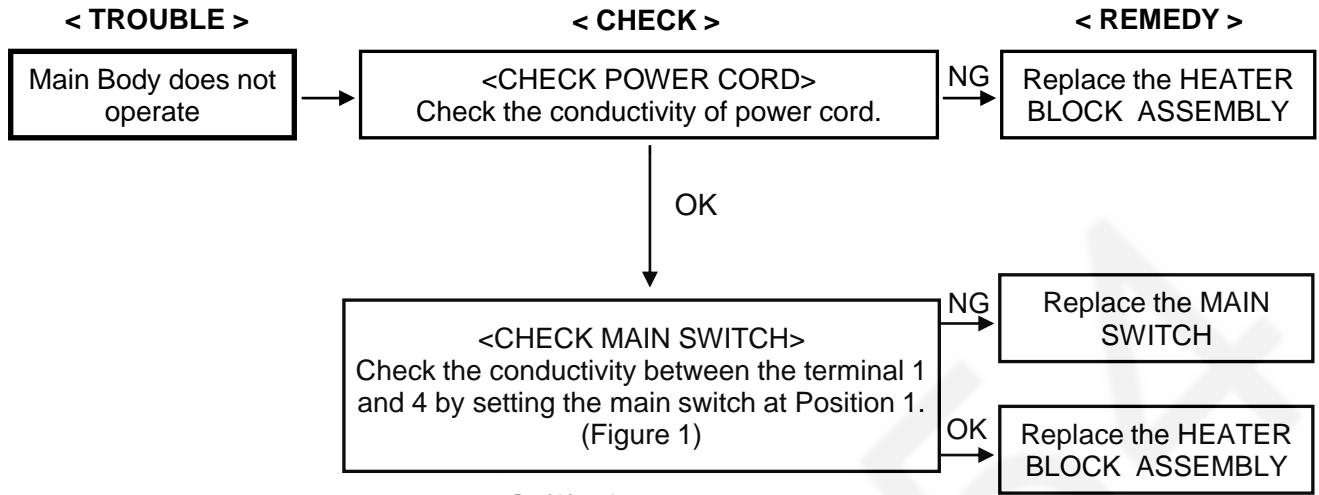


Figure 1

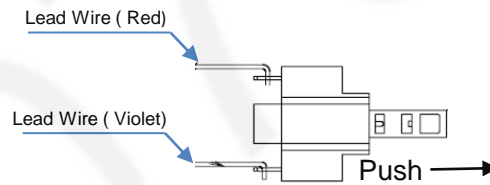
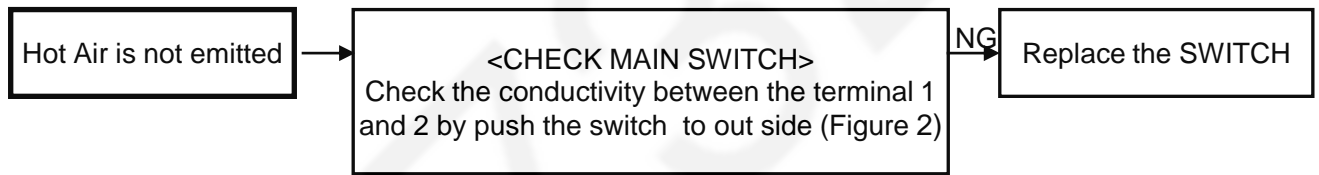


Figure 2

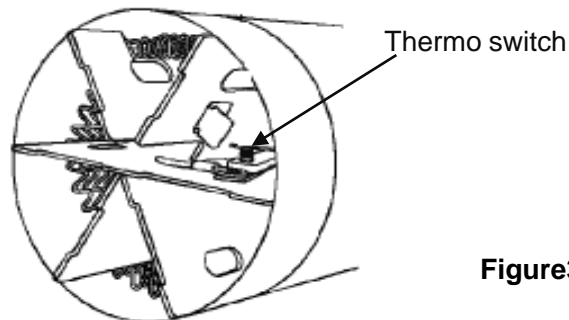
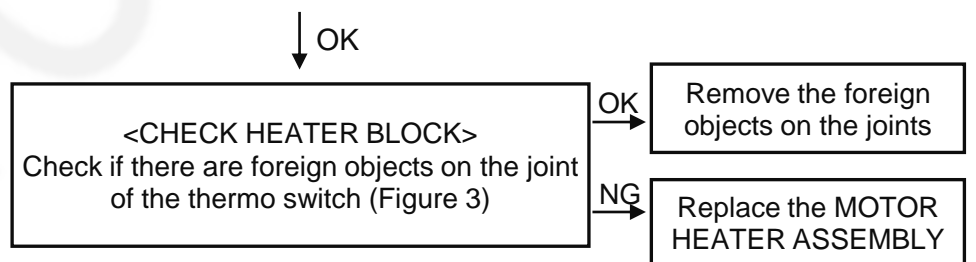
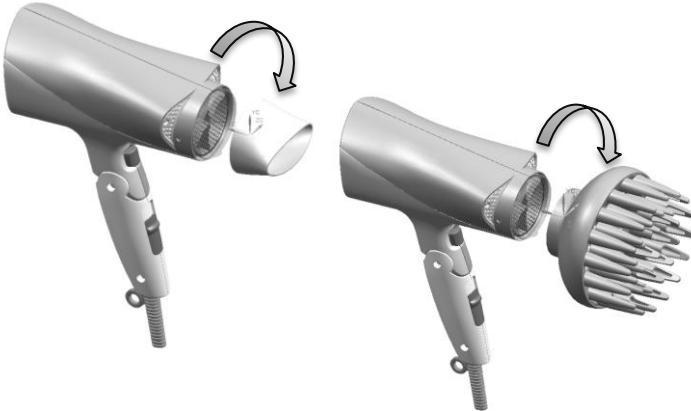


Figure3

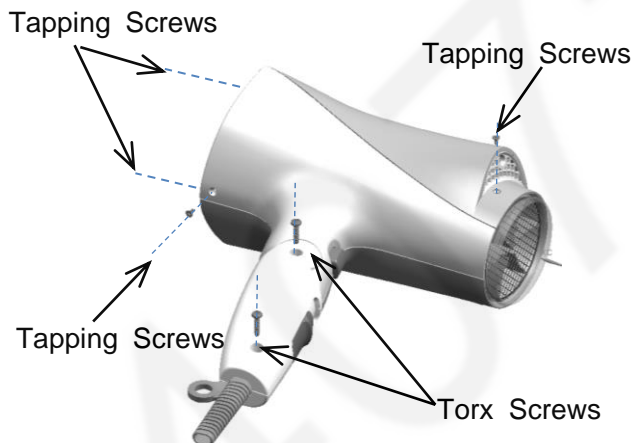
4. Disassembly and Assembly Instructions

4.1. Disassembly Instructions

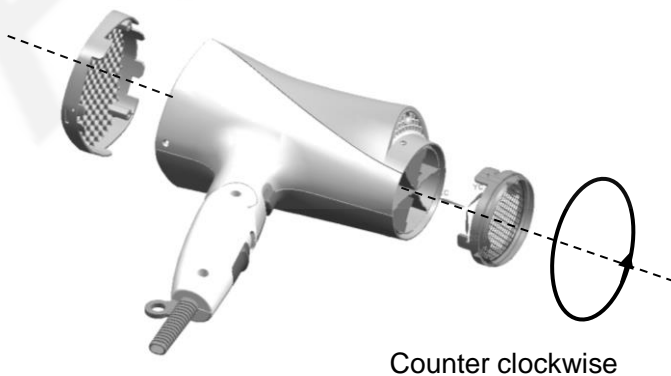
- (1) Take off NOZZLE or DIFFUSER as same direction as below.



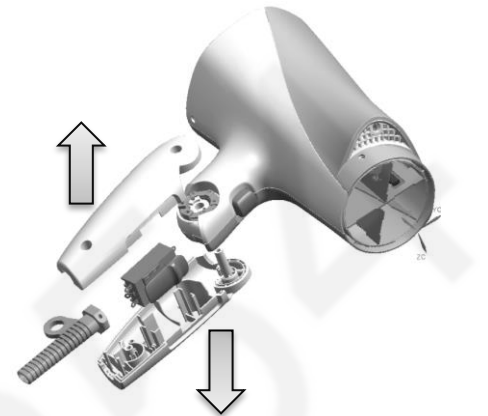
- (2). Remove TAPPING SCREWS at HOUSING A and AIR INLET GRILL by flat-blade screwdriver and two TORX SCREWS at HANDLE by Driver.



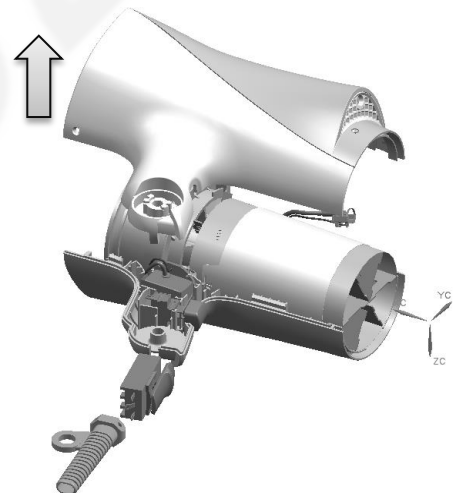
- (3) Take off an AIR OUTLET GRILL, AIR OUTLET RING and the AIR INLET GRILL by rotating method as below.



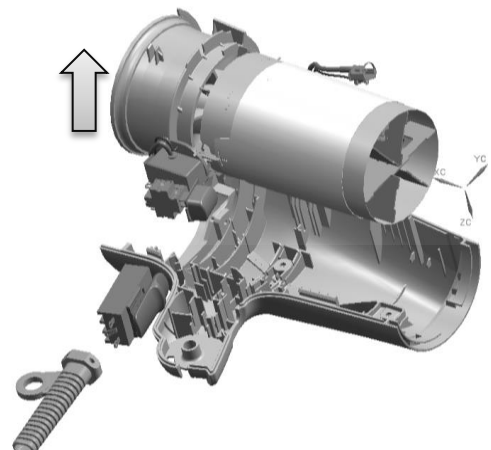
- (4). Take off HANDLE AB then take out CLICK RING and SWIVEL RING method as below.



- (5). Take off HOUSING A method as below.

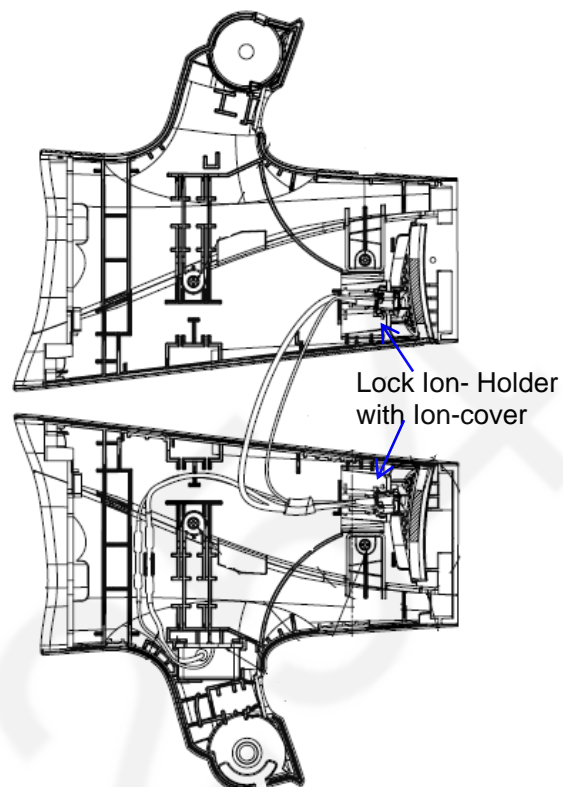
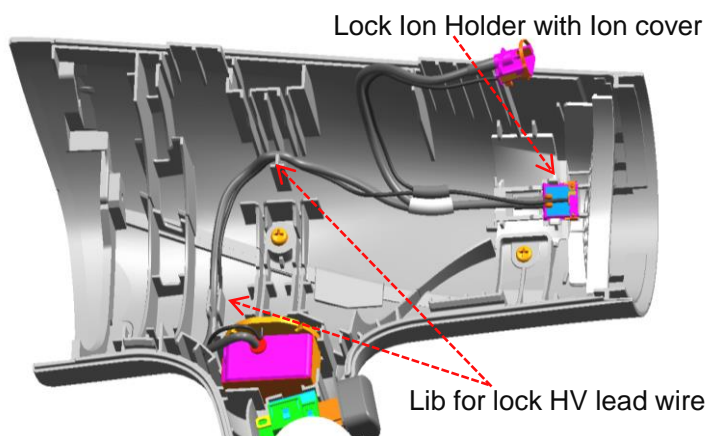


- (6). Take off a MOTOR HEATER ASSEMBLY method as below.

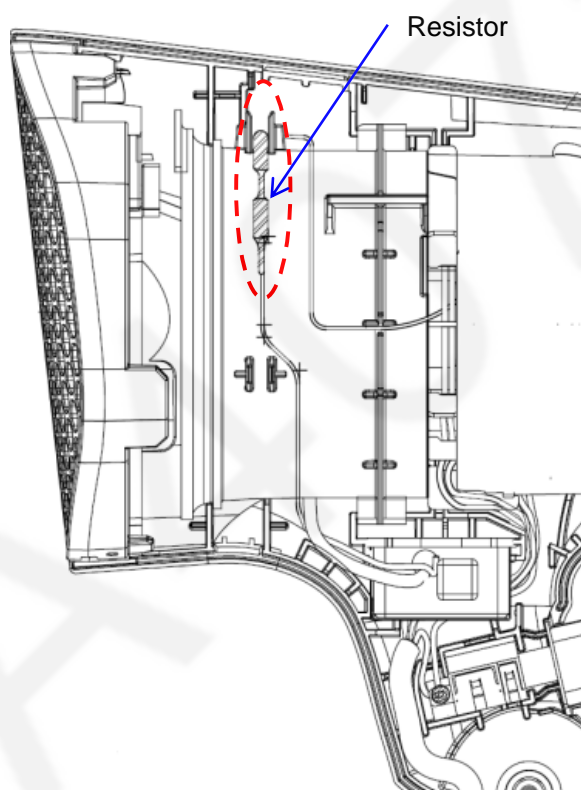


4.2 Assembly Instructions

- (1) Install Ion-holder with Ion-cover at Housing B
Control direction of HV Lead wire as below drawing.

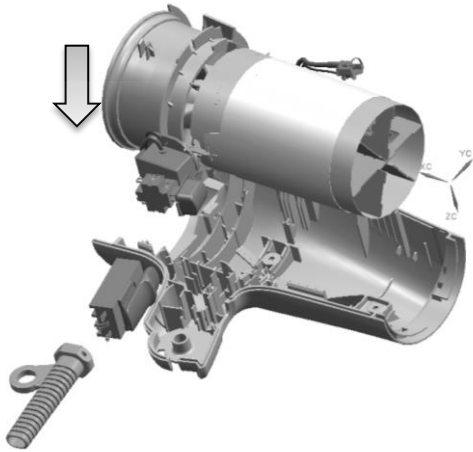


- (2) Install Resistor with AIR FLOW REGULATOR lib as below drawing.

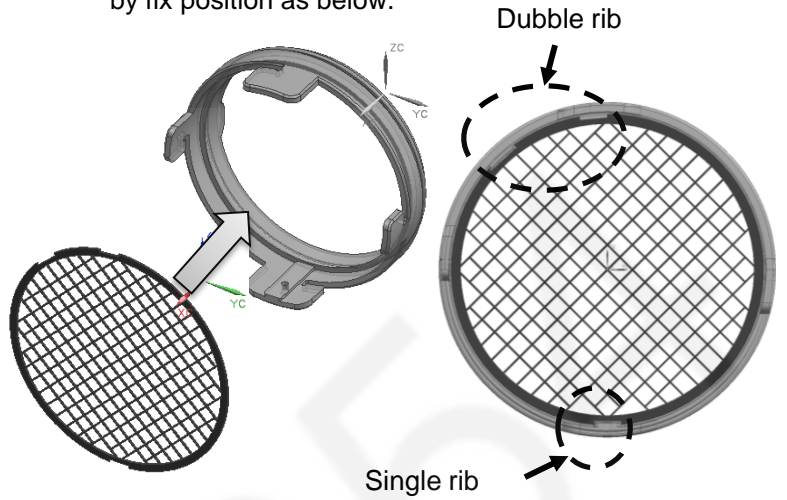


4.3 Assembly Instructions

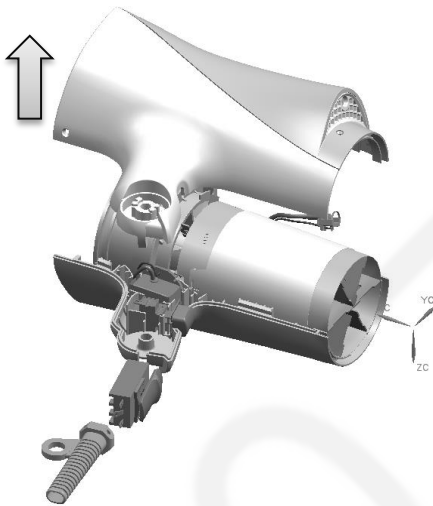
(3) Install MOTOR HEATER ASSEMBLY into HOUSING A as below drawing.



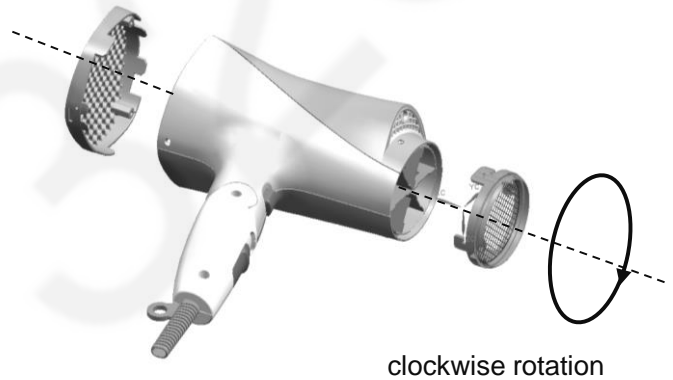
(6) Insert an AIR OUTLET GRILL into an AIR OUTLET RING by fix position as below.



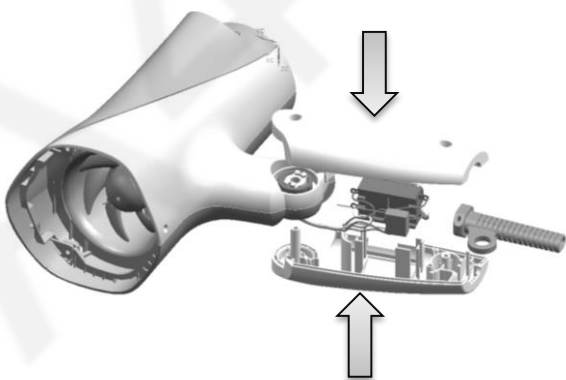
(4) Install HOUSING A method as below.



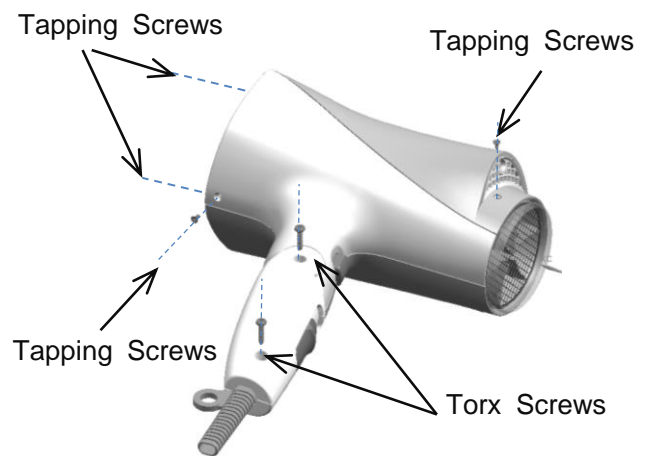
(7) Insert an Air inlet grill and AIR OUTLET RING into Main Body by fix position as below.



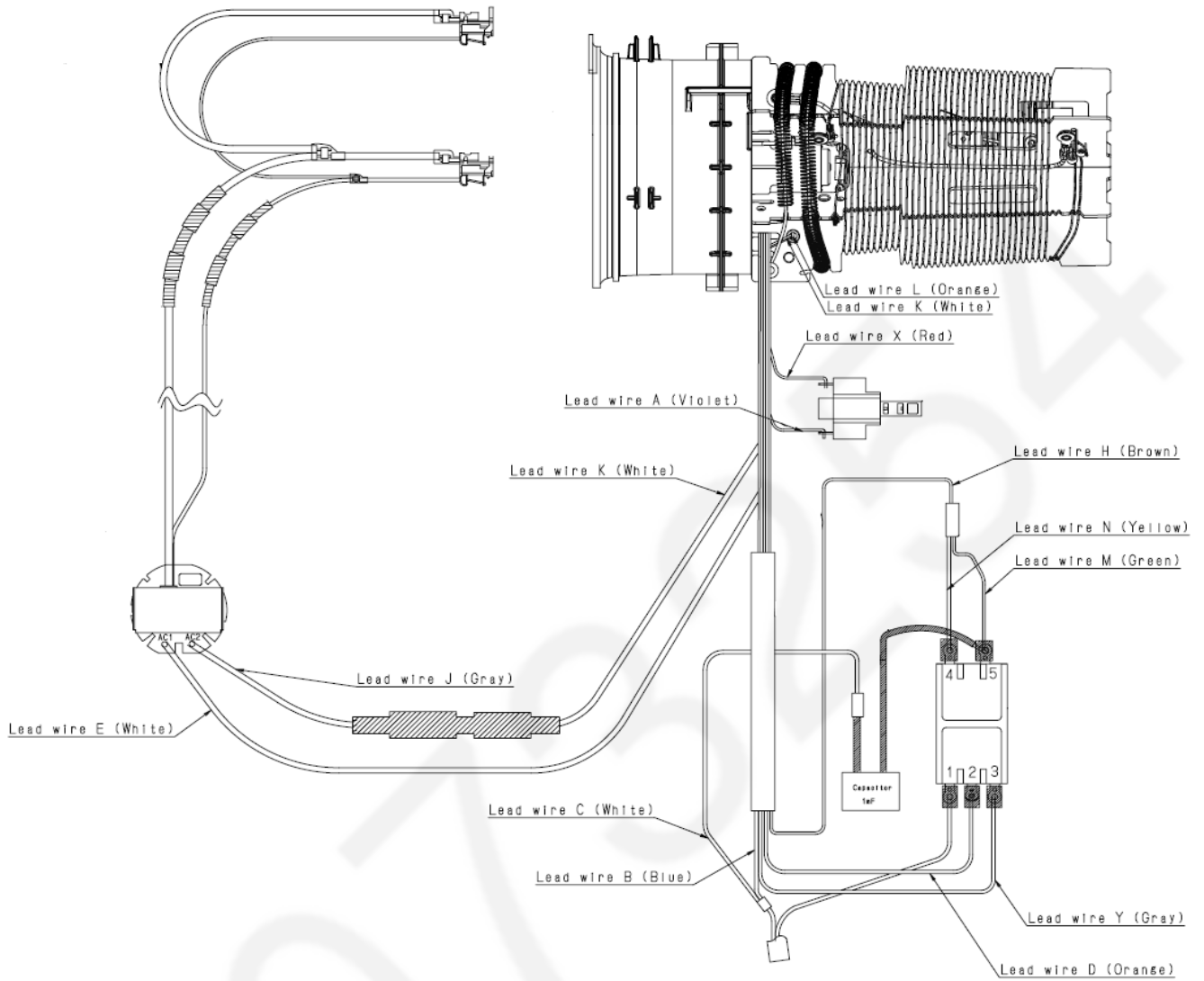
(5) Install SWIVEL RING on HANDLE A and install CLICK RING on HOUSING A then install HANDLE AB on HOUSING AB method as below.



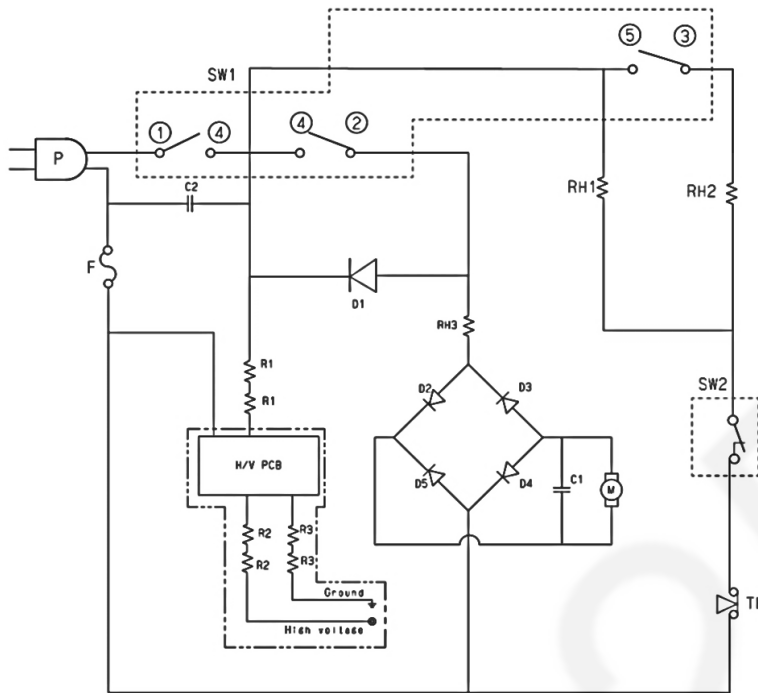
(8) Tightening screw both 2 TORX SCREWS and TAPPING SCREWS as below.



5. Wiring Connection Diagram



6. Schematic Diagram



Sw1. (Main)	1-4	2-4	3-5
Off "0"	X	X	X
Set "1"	O	X	X
Care "2"	O	O	X
Turbo "3"	O	O	O



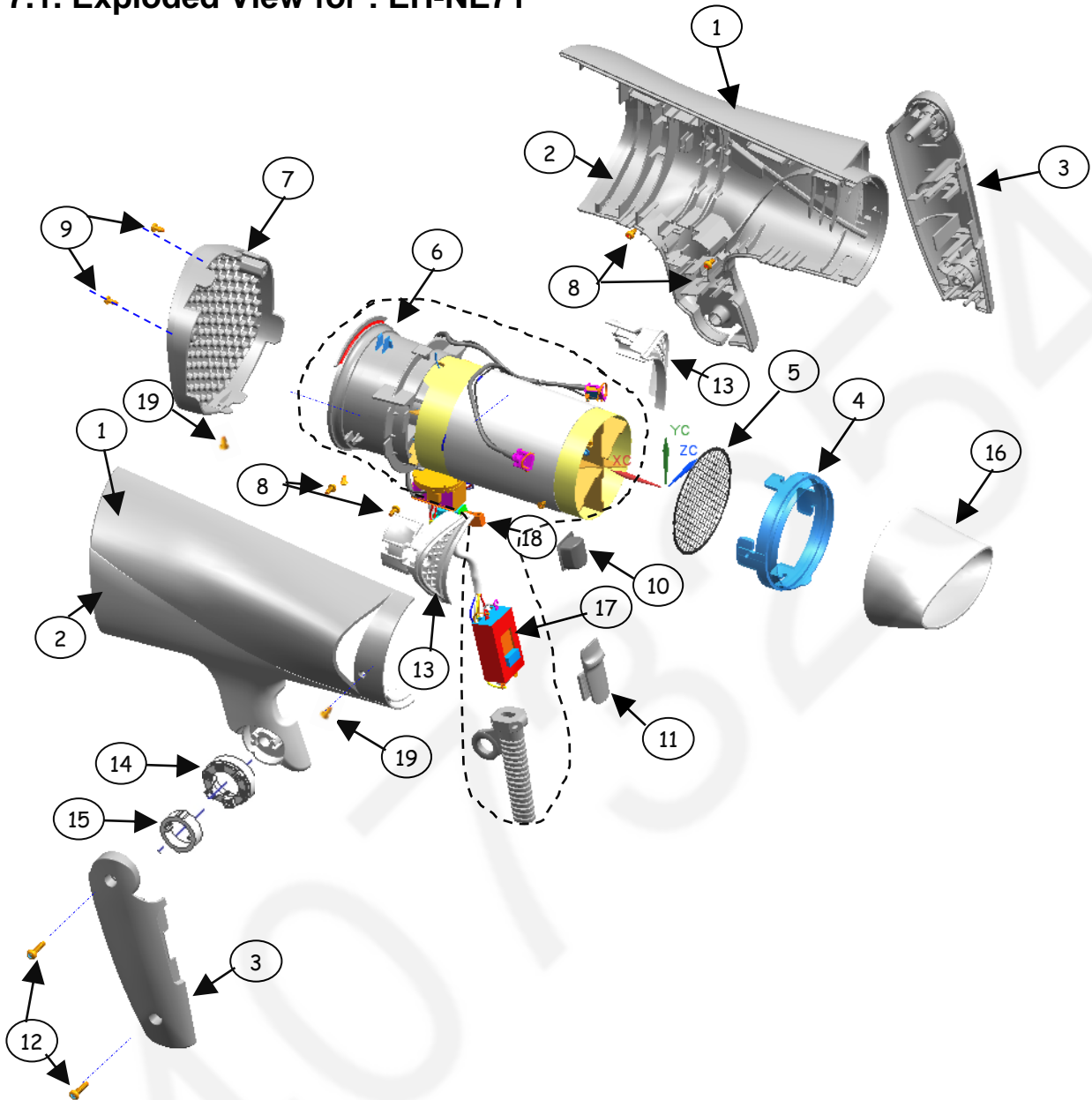
SW2	
ON	0
OFF	X

O = ON
X = OFF

Symbol	Part name	Specification	
		Code : 655/605/685/895	Code : L/415/615/645
C2	CAPACITOR	0.1 mF, 275V	NOT USE
C1	CAPACITOR (FOR MOTOR)	0.1 μ F, 50VDC	
D1	DIODE	400V, 2A	
D2, D3, D4, D5	DIODE (BRIDGE)	400V, 2A	
F	TEMPERATURE FUSE	133°C, 250V, 15A	
M	MOTOR	RS365SV-1988 (DC 24V)	
Main Sw.	MAIN SWITCH	AC 250V/15A	
TH	THERMO SWITCH	100 \pm 5 °C	
RH1	HEATER COIL A	72.0 \pm 3.0 Ω	
RH2	HEATER COIL B	71.4 \pm 3.0 Ω	
RHD	HEATER COIL D	128.4 \pm 4.0 Ω	
SW1	MAIN SWITCH	AC 250V/15A	
SW2	COOL SWITCH	AC 250V/10A ,125V15A	
R1	FIXED RESISTOR (R1)	9.1K Ω	
R2	FIXED RESISTOR (R2)	3.3M Ω	
R3	FIXED RESISTOR (R3)	1.0M Ω	
RHD	HEATER COIL D	128.4 \pm 4.0 Ω	
H/V PCB	HI-VOLTAGE CIRCUIT PCB		
P	POWER CORD		

7 EXPLODED VIEW & REPLACEMENT PARTS LIST

7.1. Exploded View for : EH-NE71



7.2 Parts List for EH-NE71

Safety	Ref. No.	Part No.	Part Name & Description	Q'ty	Remarks
	1	EHNE71UHPW	UPPER HOUSING AB (CORAL PINK)	1	
	2	EHNE71LH41WW	LOWER HOUSING AB (WHITE)	1	FOR -P415 : INDONESIA
	2	EHNE71LH61WW	LOWER HOUSING AB (WHITE)	1	FOR -P605/-P615/-655 : HONG KONG/ SINGAPORE/ MALAYSIA
	2	EHNE71LH64WW	LOWER HOUSING AB (WHITE)	1	FOR -P645 : VIETNAM
	2	EHNE71LH68WW	LOWER HOUSING AB (WHITE)	1	FOR -P685 : UAE
	2	EHNE71LH69WW	LOWER HOUSING AB (WHITE)	1	FOR -P695 : QATAR
	3	EHNE71HDWW	HANDLE AB (WHITE)	1	
	4	EHNE71AORW	AIR OUTLET RING (CLEAR)	1	
	5	EHNE71AOGW	AIR OUTLET GRILL	1	
	6	EHNE71MHB2W	MOTOR HEATER ASSEMBLY	1	PLUG B2, FOR -P415/-P615/-P645 : Include 7 Insulation Tubes
	6	EHNE71MHS3W	MOTOR HEATER ASSEMBLY	1	PLUG S3, FOR -P605/-P655/-P685/-P695 : Include 7 Insulation Tubes
	7	EHNE71AIGHW	AIR INLET GRILL ASSEMBLY (GRAY)	1	
	8	EHNE71T2605W	TAPPING SCREW 2.6*5	4	*1
	9	EHNE71T2608W	TAPPING SCREW 2.6*8 (BLACK)	2	*1
	10	EHNE71CSBWW	COOL SWITCH BUTTON (WHITE)	1	
	11	EHNE71MSPWW	MAIN SWITCH PLATE (WHITE)	1	
	12	EHNE71T0312W	TORX SCREW 3.0*12 (SILVER)	2	*1
	13	EHNE71IONCW	ION COVER AB ASSEMBLY (LIGHT GRAY)	1	
	14	EHNE71CRTW	CLICK RING (WHITE)	1	
	15	EHNE71SRTW	SWIVEL RING (NATURAL)	1	
	16	EHNE71SNZPW	SPEED NOZZLE (TRANSPARENT PINK)	1	
	17	EHNE71MSW	MAIN SWITCH	1	Include 7 Insulation Tubes
	18	EHNE71PSW	SWITCH (PUSH SWITCH)	1	
	19	EHNE71T2004W	TAPPING SCREW 2.0*4 (SILVER)	2	*1
	-	EHNE71S03W	OPERATING INSTRUCTIONS	1	FOR OTHER
	-	EHNE7122S03W	OPERATING INSTRUCTIONS	1	FOR -P605 : HONG KONG
	-	EHNE71S415PW	INDIVIDUAL PACKAGE ASSEMBLY	1	FOR -P415/-P645 : INDONESIA/ VIETNAM
	-	EHNE71S615PW	INDIVIDUAL PACKAGE ASSEMBLY	1	FOR -P605/-P615 : HONG KONG/ SINGAPORE
	-	EHNE71S655PW	INDIVIDUAL PACKAGE ASSEMBLY	1	FOR -P655 : MALAYSIA
	-	EHNE71S685PW	INDIVIDUAL PACKAGE ASSEMBLY	1	FOR -P685 : UAE
	-	EHNE71S695PW	INDIVIDUAL PACKAGE ASSEMBLY	1	FOR -P695 : QATAR

Remarks : *1 Individual Available

7.2 Parts List for EH-NE72

Safety	Ref. No.	Part No.	Part Name & Description	Q'ty	Remarks
	1	EHNE72UHNW	UPPER HOUSING AB (SILKY GOLD)	1	
	2	EHNE72LH61WW	LOWER HOUSING AB (WHITE)	1	FOR -N605/-N615/-N655 : HONG KONG/ SINGAPORE/ MALAYSIA
	2	EHNE72LH68WW	LOWER HOUSING AB (WHITE)	1	FOR -N685 : UAE
	2	EHNE72LH69WW	LOWER HOUSING AB (WHITE)	1	FOR -N695 : KUWAIT
	3	EHNE72HDWW	HANDLE AB (WHITE)	1	
	4	EHNE72AORW	AIR OUTLET RING (CLEAR)	1	
	5	EHNE72AOGW	AIR OUTLET GRILL	1	
	6	EHNE72MHB2W	MOTOR HEATER ASSEMBLY	1	PLUG B2,-N615 : Included 7 Insulation Tubes
	6	EHNE72MHS3W	MOTOR HEATER ASSEMBLY	1	PLUG S3,-N605/-N655/-N685/-N695 : Included 7 Insulation Tubes
	7	EHNE72AIGHW	AIR INLET GRILL ASSEMBLY (GRAY)	1	
	8	EHNE72T2605W	TAPPING SCREW 2.6*5	4	*1
	9	EHNE72T2608W	TAPPING SCREW 2.6*8 (BLACK)	2	*1
	10	EHNE72CSBWW	COOL SWITCH BUTTON (WHITE)	1	
	11	EHNE72MSPWW	MAIN SWITCH PLATE (WHITE)	1	
	12	EHNE72T0312W	TORX SCREW 3.0*12 (SILVER)	2	*1
	13	EHNE72IONCW	ION COVER AB ASSEMBLY (LIGHT GRAY)	1	
	14	EHNE72CRTW	CLICK RING (WHITE)	1	
	15	EHNE72SRTW	SWIVEL RING (NATURAL)	1	
	16	EHNE72SNZNW	SPEED NOZZLE (TRANSPARENT BROWN)	1	
	17	EHNE72MSW	MAIN SWITCH	1	Included 7 Insulation Tubes
	18	EHNE72PSW	SWITCH (PUSH SWITCH)	1	
	19	EHNE72T2004W	TAPPING SCREW 2.0*4 (SILVER)	2	*1
	20	EHNE72DFAWW	DIFFUSER ASSEMBLY (WHITE)	1	
	-	EHNE72S03W	OPERATING INSTRUCTIONS	1	FOR OTHER
	-	EHNE7222S03W	OPERATING INSTRUCTIONS	1	FOR -N605 : HONG KONG
	-	EHNE72S615NW	INDIVIDUAL PACKAGE ASSEMBLY	1	FOR -N605/-N615 : HONG KONG/ SINGAPORE
	-	EHNE72S655NW	INDIVIDUAL PACKAGE ASSEMBLY	1	FOR -N655 : MALAYSIA
	-	EHNE72S685NW	INDIVIDUAL PACKAGE ASSEMBLY	1	FOR -N685 : UAE
	-	EHNE72S695NW	INDIVIDUAL PACKAGE ASSEMBLY	1	FOR -N695 : KUWAIT

Remarks : *1 Individual Available