

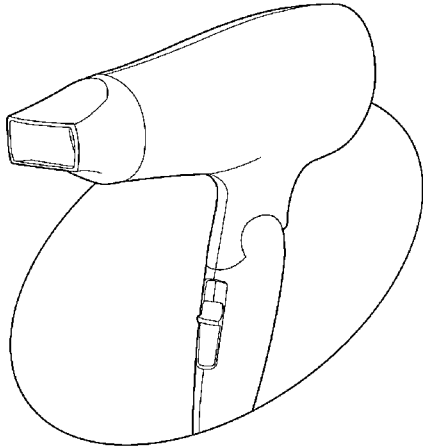
# Service Manual

(Household) Hair Dryer

Model No. **EH-ND61**

Model No. **EH-ND62**

CIS



## **⚠ WARNING**

This service information is designed for experienced repair technicians only and is not designed for use by the general public. It does not contain warnings or cautions to advise non-technical individuals of potential dangers in attempting to service a product. Products powered by electricity should be serviced or repaired only by experienced professional technicians. Any attempt to service or repair the product or products dealt with in this service information by anyone else could result in serious injury or death.

## **IMPORTANT SAFETY NOTICE**

There are special components used in this equipment which are important for safety. These parts are marked by **⚠** in the Schematic Diagrams, Circuit Board Diagrams, Exploded Views and Replacement Parts List. It is essential that these critical parts should be replaced with manufacturer's specified parts to prevent shock, fire or other hazards. Do not modify the original design without permission of manufacturer.

## **TABLE OF CONTENTS**

	PAGE	PAGE
<b>1 Warning</b> -----	<b>2</b>	
<b>2 Specifications</b> -----	<b>2</b>	
<b>3 Troubleshooting Guide</b> -----	<b>3</b>	
<b>4 Disassembly and Assembly Instructions</b> -----	<b>4</b>	
<b>5 Wiring Connection Diagram</b> -----	<b>6</b>	
<b>6 Schematic Diagram</b> -----	<b>7</b>	
<b>7 Exploded View and Replacement Parts List</b> -----	<b>8</b>	

# 1 Warning

## Caution:

- Pb free solder has a higher melting point than standard solder; Typically the melting point is 50 - 70°F (30 - 40°C) higher. Please use a soldering iron with temperature control and adjust it to 750 ± 20°F (400 ± 10°C). In case of using high temperature soldering iron, please be careful not to heat too long.
- Pb free solder will tend to splash when heated too high (about 1100°F / 600°C).

# 2 Specifications

Power source	AC 220-240 V 50-60 Hz
Power consumption	Approx. "3" Turbo 220 V ~ 1700 W 230 V ~ 1850 W 240 V ~ 2000 W
Air volume with nozzle	1.40 m <sup>3</sup> /min
Air flow temperature ("3" Turbo)	100 K (in case of room temperature 30°C)
Dimensions	(W) 80 x (D) 170 x (H) 260 mm
Cord length	L = 1.7 m
Weight	Approx. 350 g ( Without cord and Without Nozzle )

Supplied accessory	EH-ND61	Set nozzle
	EH-ND62	Set nozzle , Diffuser

# 3 Troubleshooting Guide

Refer to Wiring Connection Diagram.

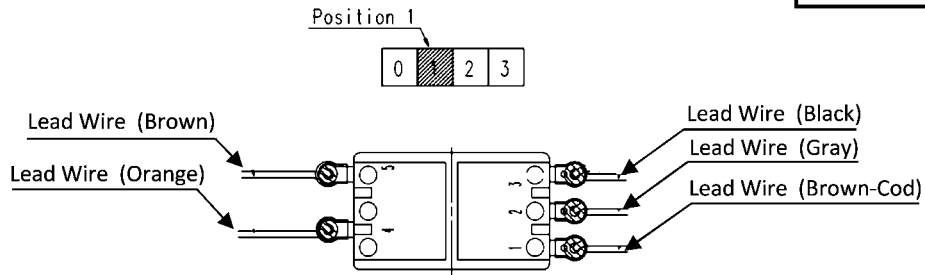
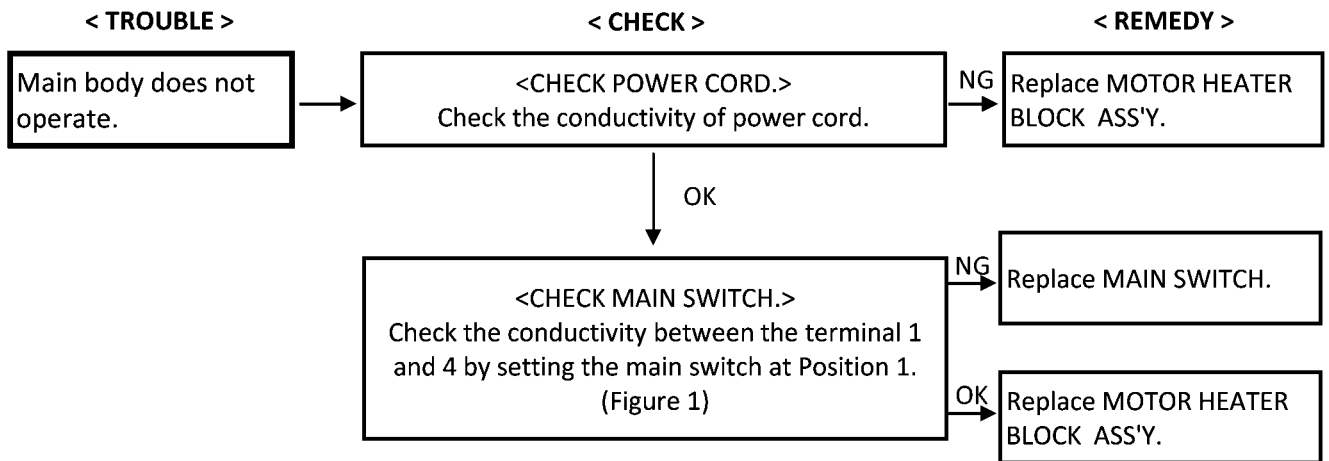


Figure 1

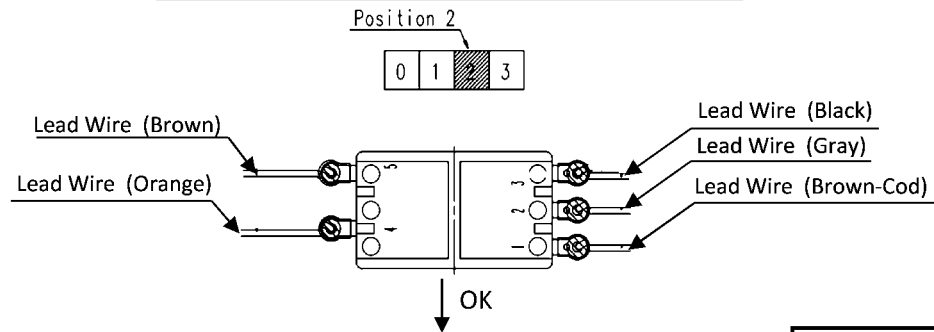
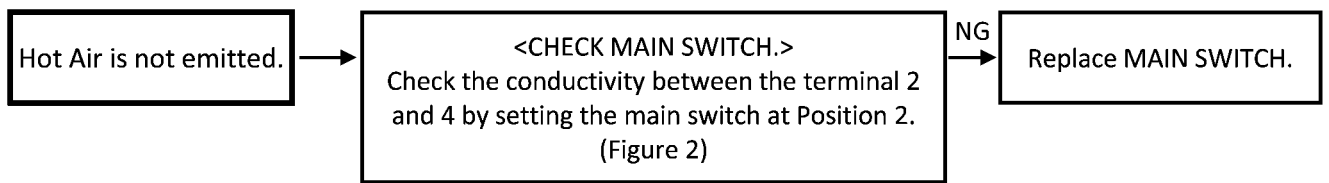


Figure 2

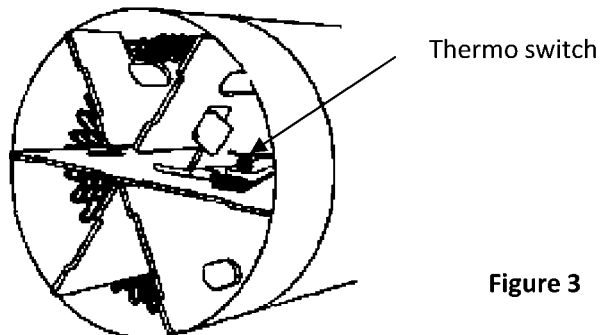
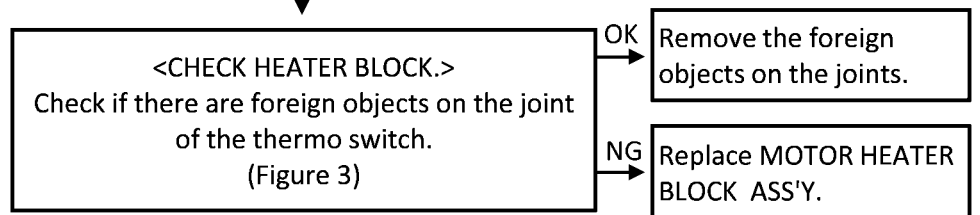
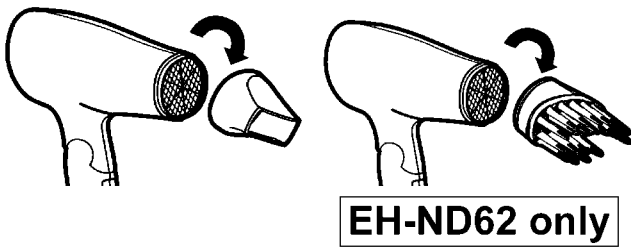


Figure 3

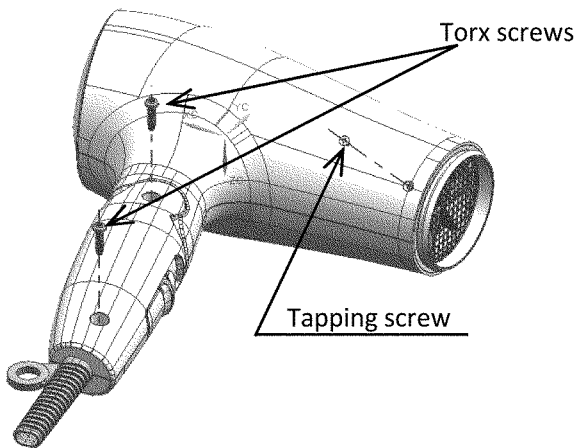
# 4 Disassembly and Assembly Instructions

## 4.1. Disassembly Instructions

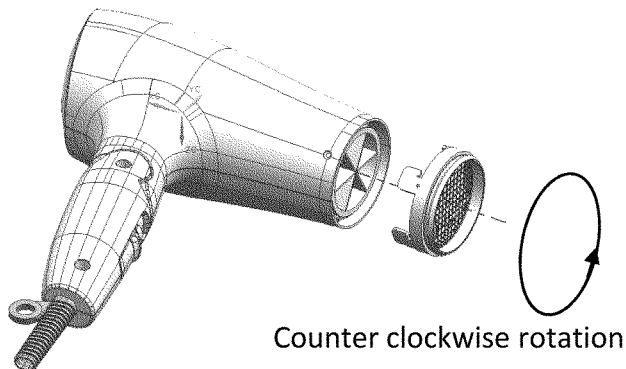
1. Take off NOZZLE or DIFFUSER as same direction as below.



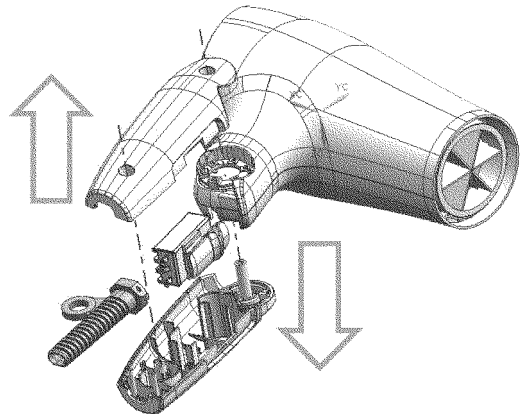
2. Remove a TAPPING SCREW at HOUSING A by flat-blade screwdriver and two TORX SCREWS at HANDLE by Driver.



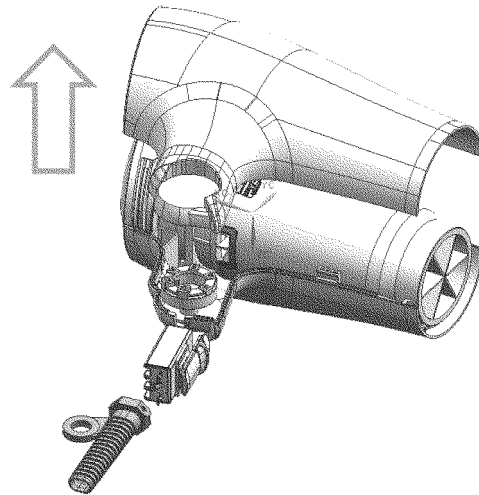
3. Take off an AIR OUTLET GRILL and an AIR OUTLET RING by rotating method as below.



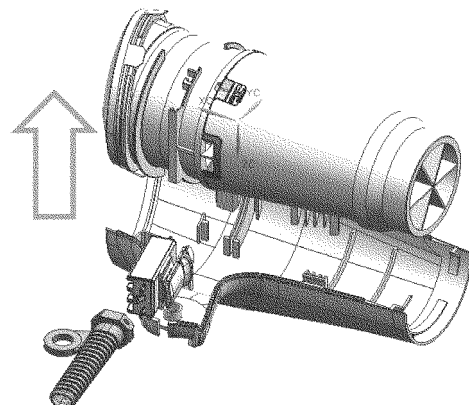
4. Take off HANDLE AB then take out CLICK RING and SWIVEL RING method as below.



5. Take off HOUSING A method as below.

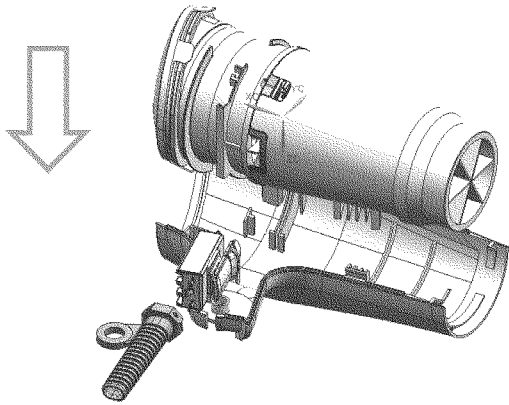


6. Take off a MOTOR HEATER BLOCK ASS'Y method as below.

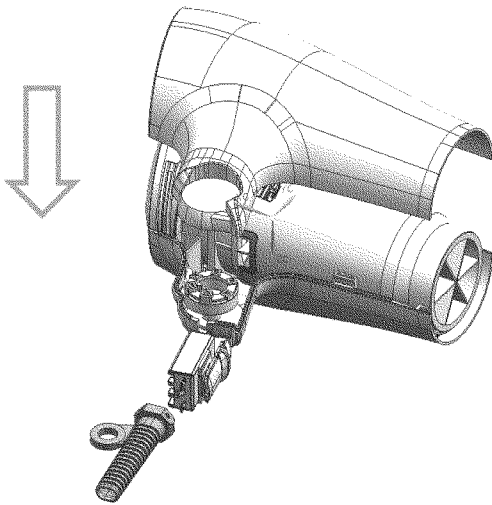


## 4.2. Assembly Instructions

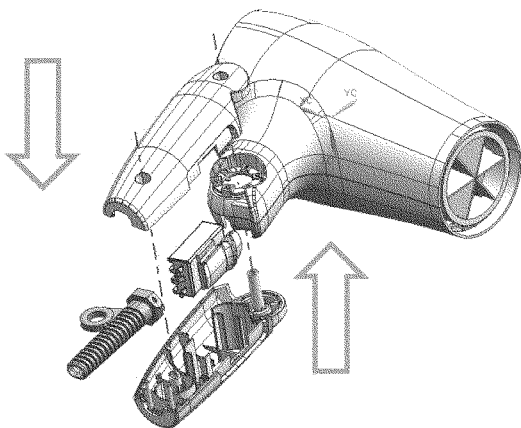
1. Install MOTOR HEATER MOTOR BLOCK ASS'Y into HOUSING A as below drawing.



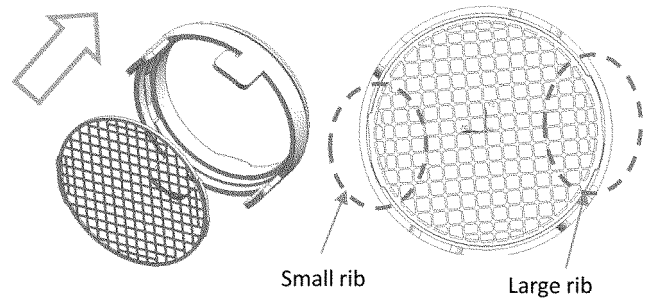
2. Install HOUSING A method as below.



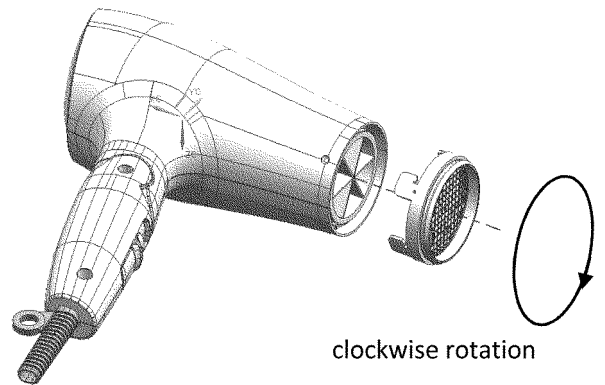
3. Install SWIVEL RING on HANDLE A and install CLICK RING on HOUSING A then install HANDLE AB on HOUSING AB method as below.



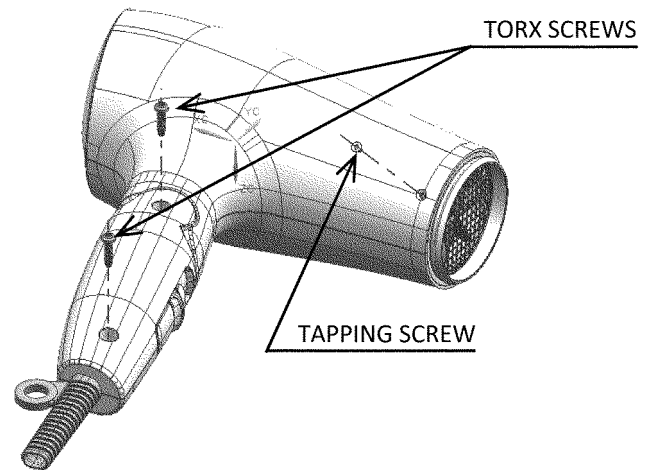
4. Insert an AIR OUTLET GRILL into an AIR OUTLET RING by fix position as below.



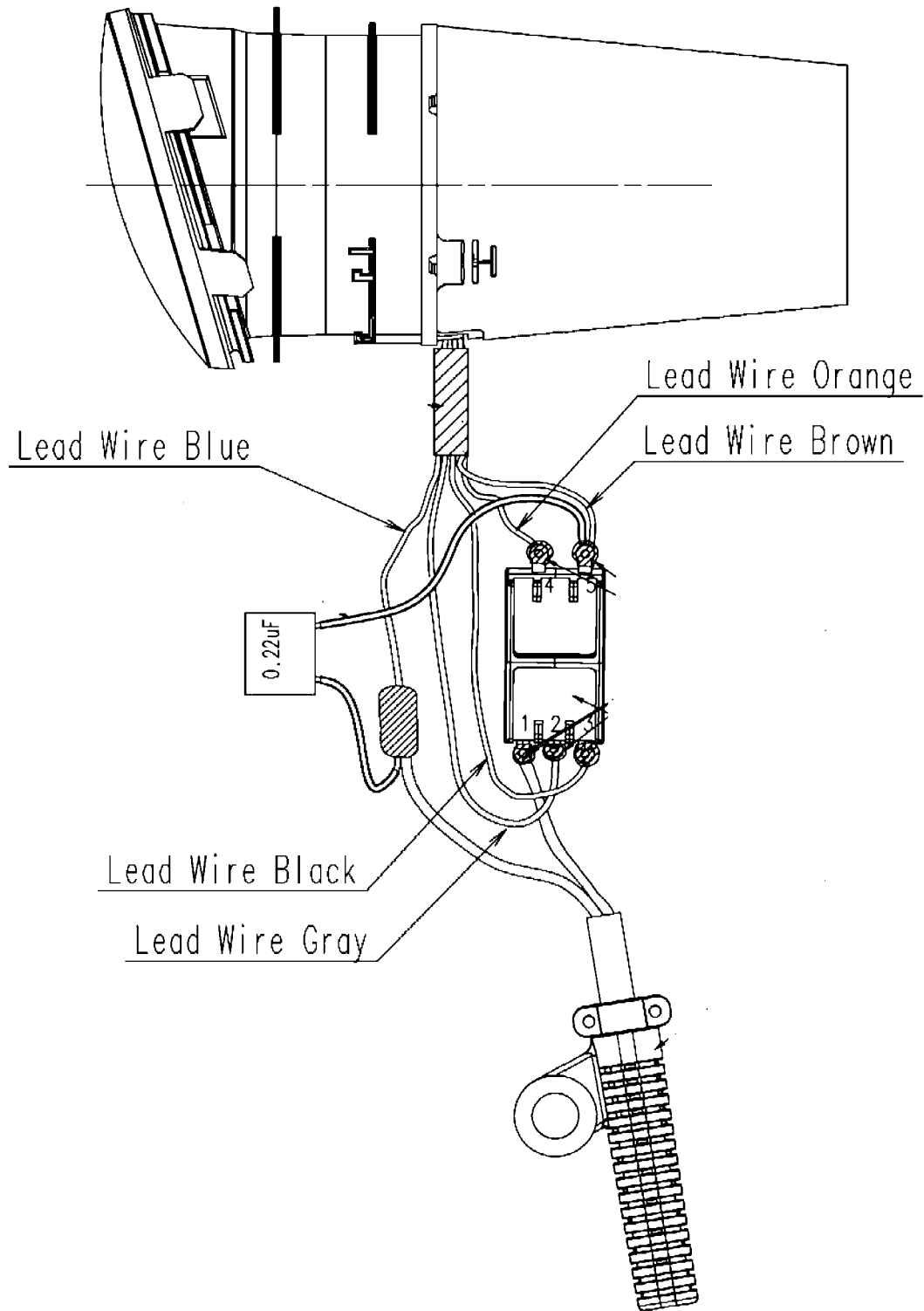
5. Insert an AIR OUTLET RING into main body by fix position as below.



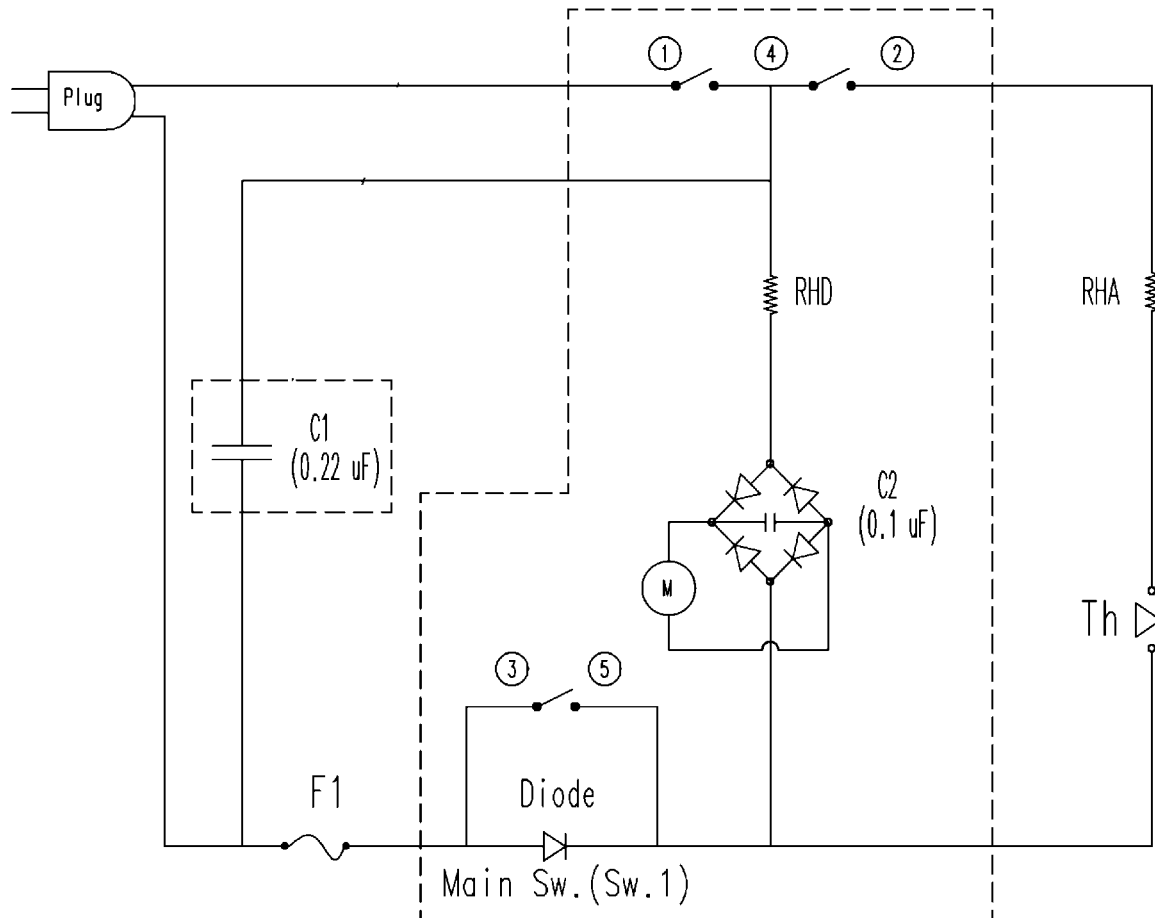
6. Tightening screw both two TORX SCREWS and a TAPPING SCREW as below.



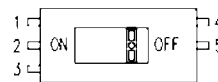
## 5 Wiring Connection Diagram



## 6 Schematic Diagram



Main Sw.	1-4	2-4	3-5
Off "0"	X	X	X
Cold "1"	O	X	X
Set "2"	O	O	X
Turbo "3"	O	O	O

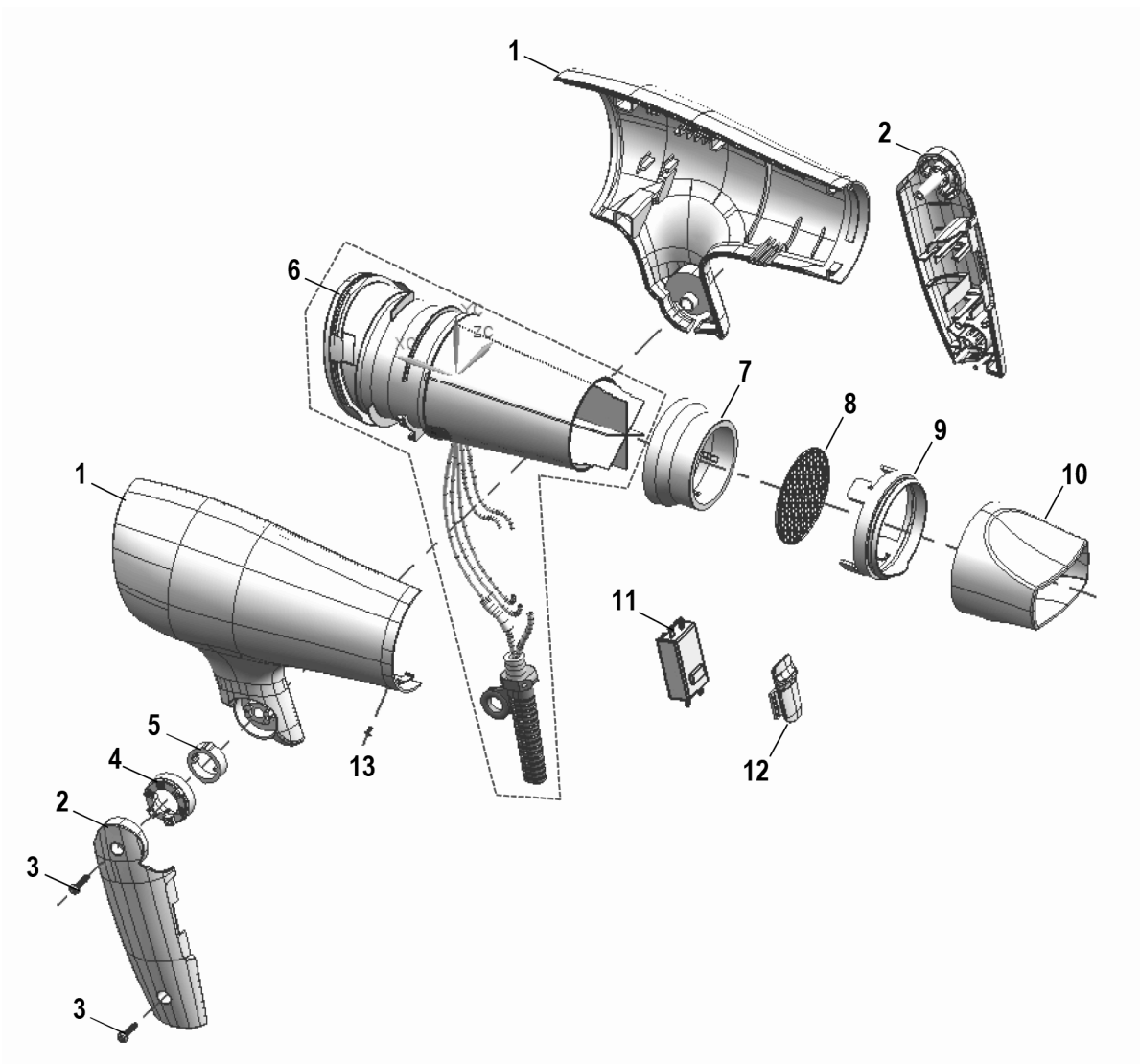


O - ON  
X - OFF

Symbol	Part name	Specification
C1	CAPACITOR	0.22 mF, 275V
C2	CAPACITOR (FOR MOTOR)	0.1 mF, 50VDC
D1, D2, D3, D4	DIODE (BRIDGE)	400V, 2A
F	TEMPERATURE FUSE	142°C, 250V, 15A
M	MOTOR	RS365SD-1988 ( DC 24V )
Main Sw.	MAIN SWITCH	AC 250V/15A
TH	THERMO SWITCH	110 ± 5 °C
RHA	HEATER COIL A	35.5 ± 1.07 W
RHD	HEATER COIL D	131.0 ± 3.9 W

# 7 Exploded View and Replacement Parts List

## 7.1. Exploded View for : EH-ND61



All parts are supplied from PMFTH-AP through PLAP

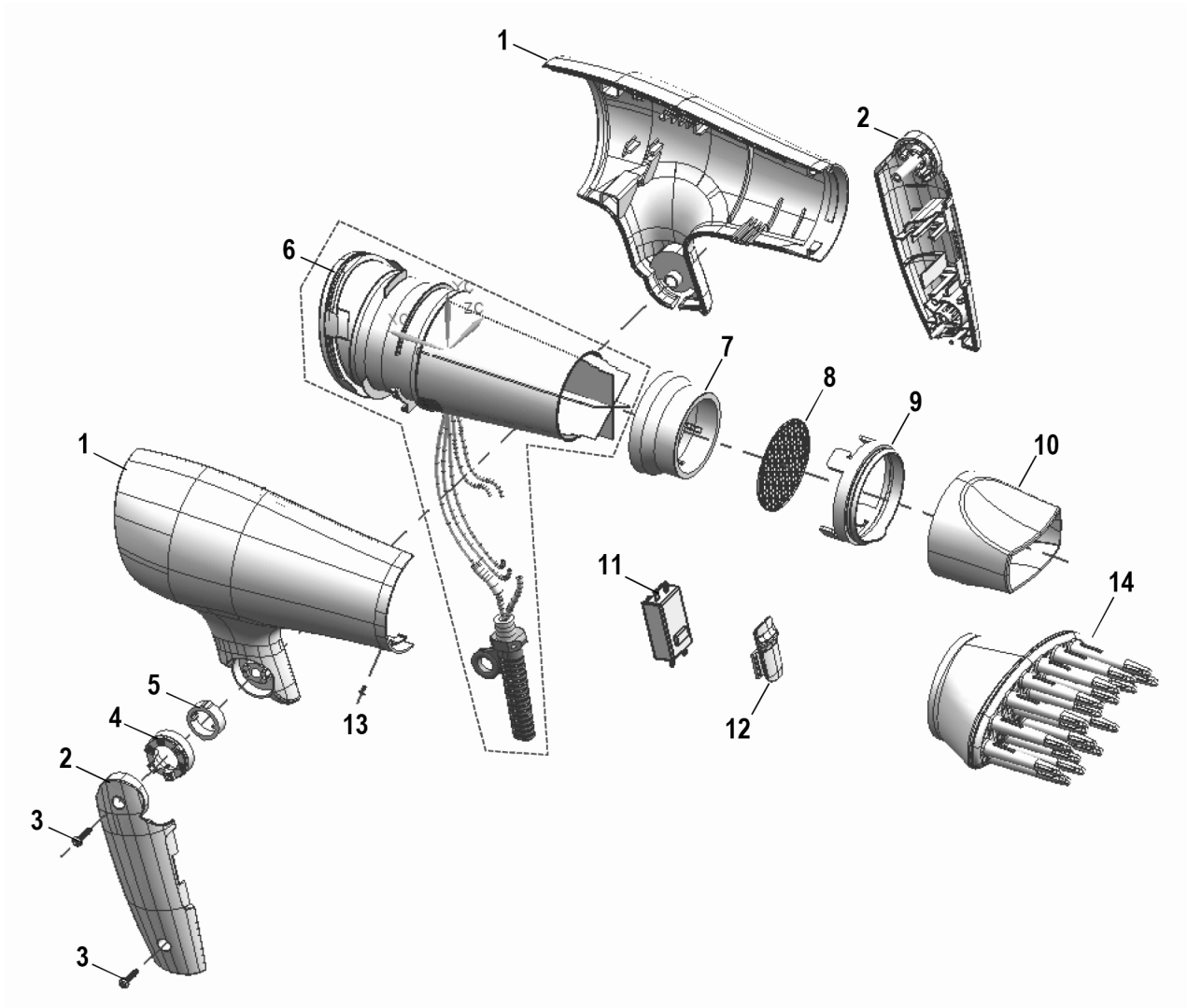


## 7.2. Parts List for : EH-ND61

Safety	Ref. No.	Part No.	Part Name & Description	Quantity	Remarks
	1	EHND61HS86BW	HOUSING AB (BLACK)	1	
	2	EHND61HDBW	HANDEL AB (BLACK)	1	
	3	EHND61T0312W	TORX SCREW 3.0*12 (BLACK)	2	*1
	4	EHND61CRTW	CLICK RING (NATURAL)	1	
	5	EHND61SRTW	SWIVEL RING	1	
	6	EHND61MH86BW	MOTOR HEATER BLOCK	1	(B2-PLUG, Include 5 Insulation Tubes)
	7	EHND61AORHW	AIR OUTLET REGULATOR (GRAY)	1	
	8	EHND61AOGW	AIR OUTLET GRILL	1	
	9	EHND61AORW	AIR OUTLET RING	1	
	10	EHND61SNZBW	SET NOZZLE (BLACK)	1	
	11	EHND61MSW	MAIN SWITCH	1	(Include 5 Insulation Tubes)
	12	EHND61MSPBW	MAIN SWITCH PLATE (BLACK)	1	
	13	EHND61T2004W	TAPPING SCREW 2.0*4 (BLACK)	1	
	-	EHND6186S03W	OPERATING INSTRUCTIONS	1	
	-	EHND61S865KW	INDIVIDUAL PACKAGE	1	

Remarks : \*1 Individual Available

### 7.3. Exploded View for : EH-ND62



All parts are supplied from PMFTH-AP through PLAP

## 7.4. Parts List for : EH-ND62

Safety	Ref. No.	Part No.	Part Name & Description	Quantity	Remarks
	1	EHND62HS86PW	HOUSING AB (VIVID PINK)	1	
	2	EHND62HDPW	HANDEL AB (VIVID PINK)	1	
	3	EHND62T0312W	TORX SCREW 3.0*12 (SILVER)	2	*1
	4	EHND62CRTW	CLICK RING (NATURAL)	1	
	5	EHND62SRTW	SWIVEL RING	1	
	6	EHND62MH86BW	MOTOR HEATER BLOCK	1	(B2-PLUG Include 5 Insulation Tubes)
	7	EHND62AORHW	AIR OUTLET REGULATOR (GRAY)	1	
	8	EHND62AOGW	AIR OUTLET GRILL	1	
	9	EHND62AORW	AIR OUTLET RING	1	
	10	EHND62SNZPW	SET NOZZLE (VIVID PINK)	1	
	11	EHND62MSW	MAIN SWITCH	1	(Include 5 Insulation Tubes)
	12	EHND62MSPPW	MAIN SWITCH PLATE (PINK)	1	
	13	EHND62T2004W	TAPPING SCREW 2.0*4 (SILVER)	1	
	14	EHND62DFBW	DIFFUSER (BLACK)	1	
	-	EHND6286S03W	OPERATING INSTRUCTIONS	1	
	-	EHND62865VPW	INDIVIDUAL PACKAGE	1	

Remarks : \*1 Individual Available