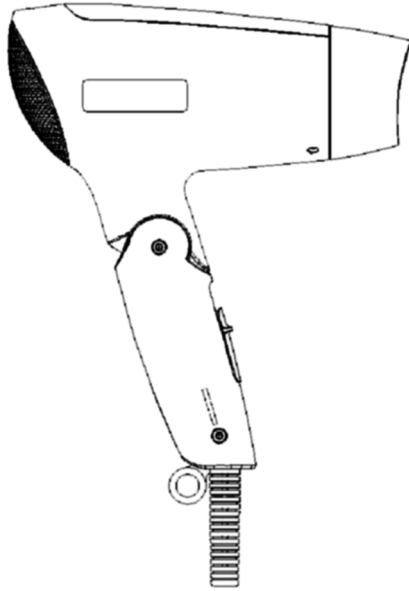


Service Manual

Hair Dryer

Model No. EH-ND21

TAIWAN



⚠ WARNING

This service information is designed for experienced repair technicians only and is not designed for use by the general public. It does not contain warnings or cautions to advise non-technical individuals of potential dangers in attempting to service a product. Products powered by electricity should be serviced or repaired only by experienced professional technicians. Any attempt to service or repair the product or products dealt with in this service information by anyone else could result in serious injury or death.

IMPORTANT SAFETY NOTICE

There are special components used in this equipment which are important for safety. These parts are marked by ⚠ in the Schematic Diagrams, Circuit Board Diagrams, Exploded Views and Replacement Parts List. It is essential that these critical parts should be replaced with manufacturer's specified parts to prevent shock, fire or other hazards. Do not modify the original design without permission of manufacturer.

TABLE OF CONTENTS

	PAGE	PAGE
1 Warning-----	2	
2 Specifications -----	2	
3 Troubleshooting Guide-----	3	
4 Disassembly and Assembly Instructions -----	4	
5 Wiring Connection Diagram -----	11	
6 Schematic Diagram-----	12	
7 Exploded View and Replacement Parts List -----	13	

Panasonic

© Panasonic Electric Works (Thailand) Co., Ltd. 2010. All rights reserved. Unauthorized copying and distribution is a violation of law.

1 Warning

Caution:

- Pb free solder has a higher melting point than standard solder; Typically the melting point is 50 - 70°F (30 - 40°C) higher. Please use a soldering iron with temperature control and adjust it to 750 ± 20°F (400 ± 10°C). In case of using high temperature soldering iron, please be careful not to heat too long.
- Pb free solder will tend to splash when heated too high (about 1100°F / 600°C).

2 Specifications

Power source	AC 110V	60	Hz
Power consumption		1200	W
Air volume with attachmant		1.10	m ³ /min
Air flow temperature (Mode 3) (in case of room temperature 30°C)		100	°C
Cord length	A2 Plug	1.87	m
Weight		445	g

3 Troubleshooting Guide

Refer to WIRING CONNECTION DIAGRAM.

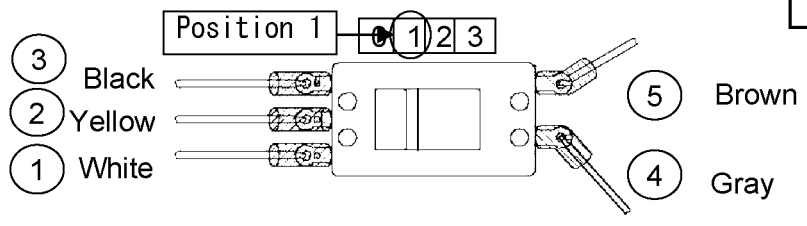
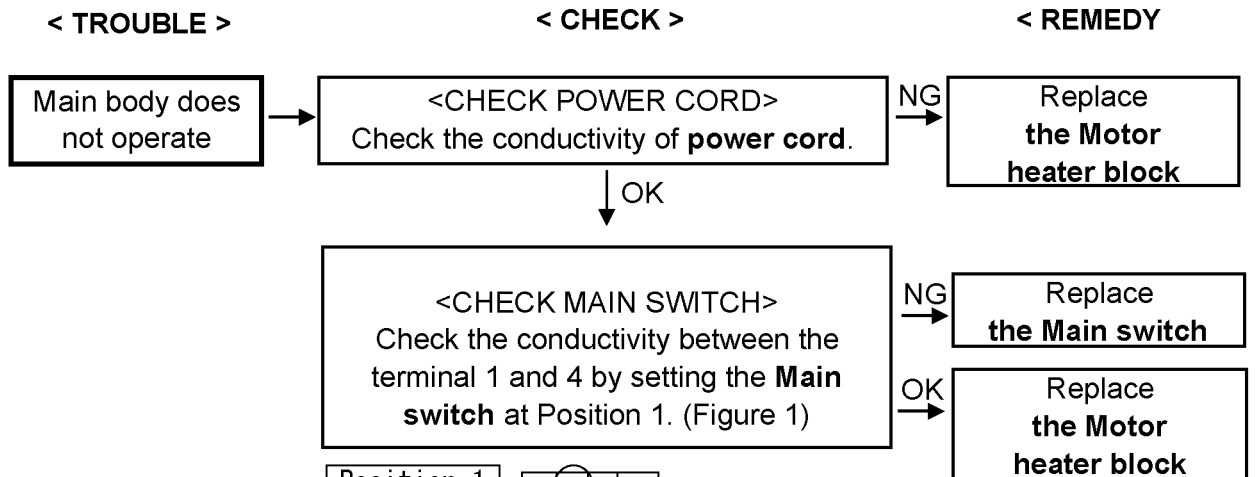


Figure 1

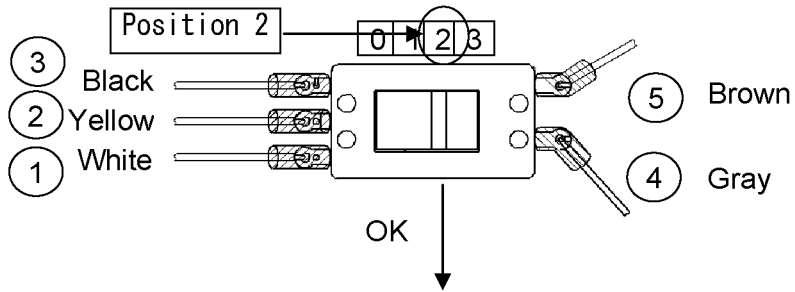
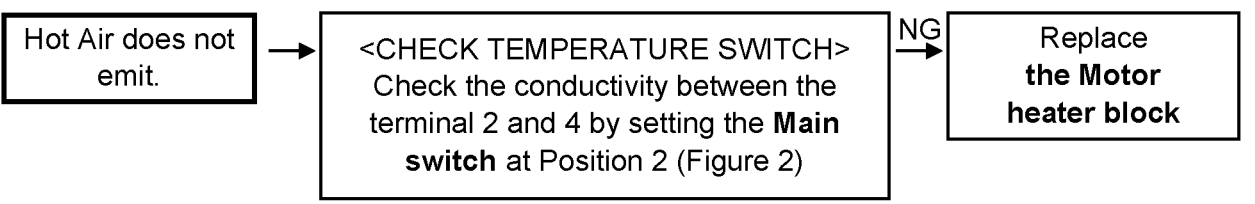


Figure 2

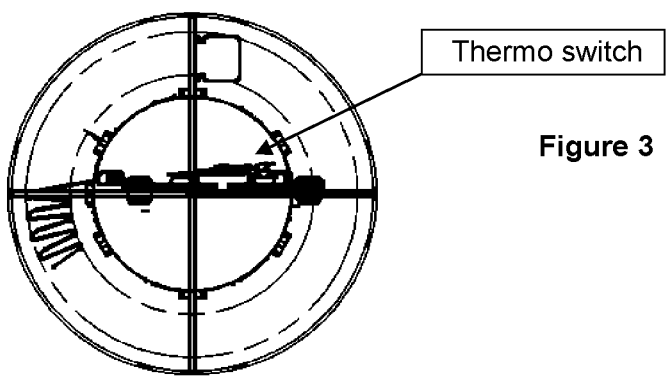
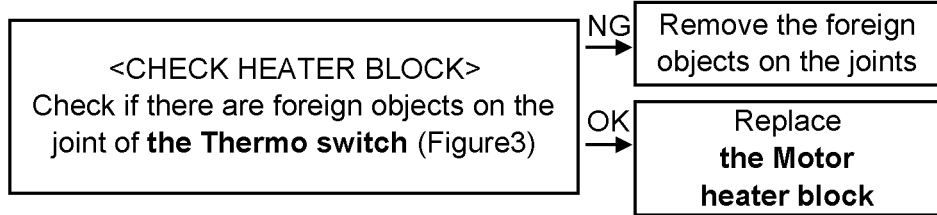


Figure 3

4 Disassembly and Assembly Instructions

4.1. Disassembly instruction

1. Take off Nozzle AB Block as same direction in figure 4.

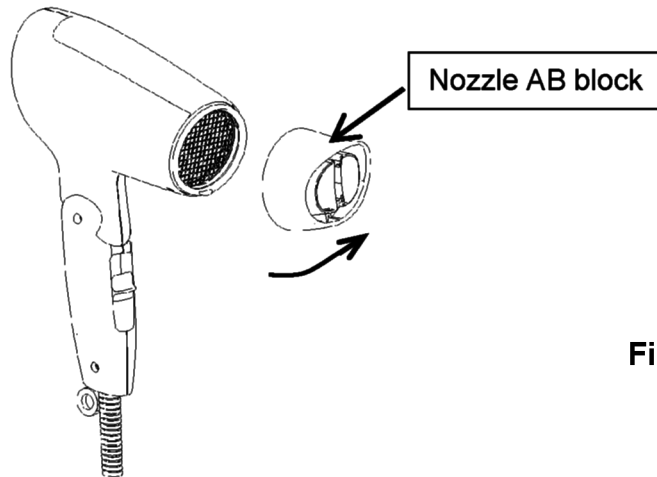


Figure 4

2. Remove a Tapping screw by Plus Driver and 2 Torx screws by IEC driver as figure 5.

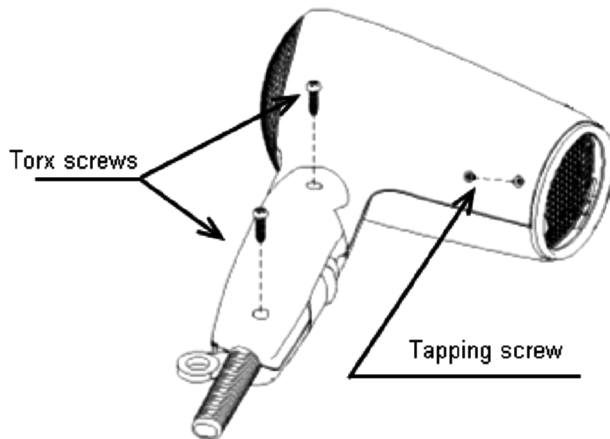


Figure 5

3. Take off a Handle A as same direction in figure 6.

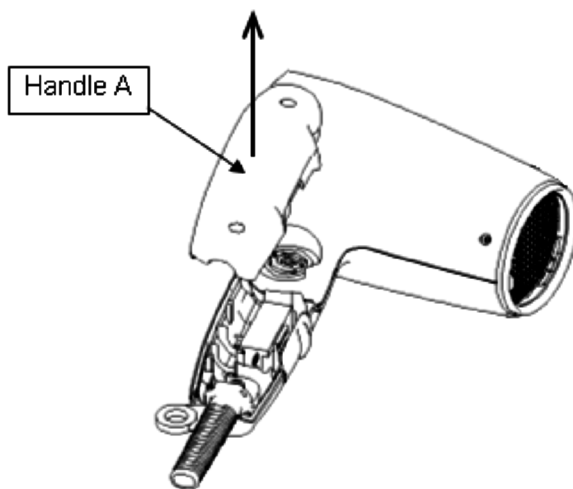


Figure 6

4. Take off an Air outlet grill and an Air outlet ring from Main body by rotating as figure 7.

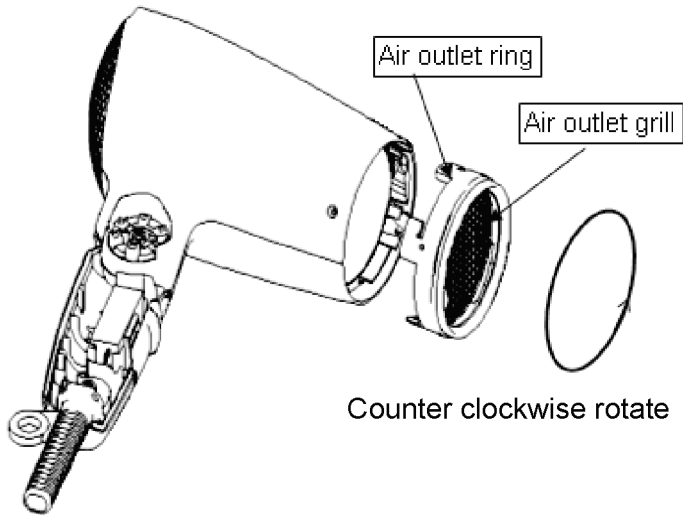


Figure 7

5. Take off a Housing A ,a Discharge cover and a Design cover from Housing B as figure 8,9.

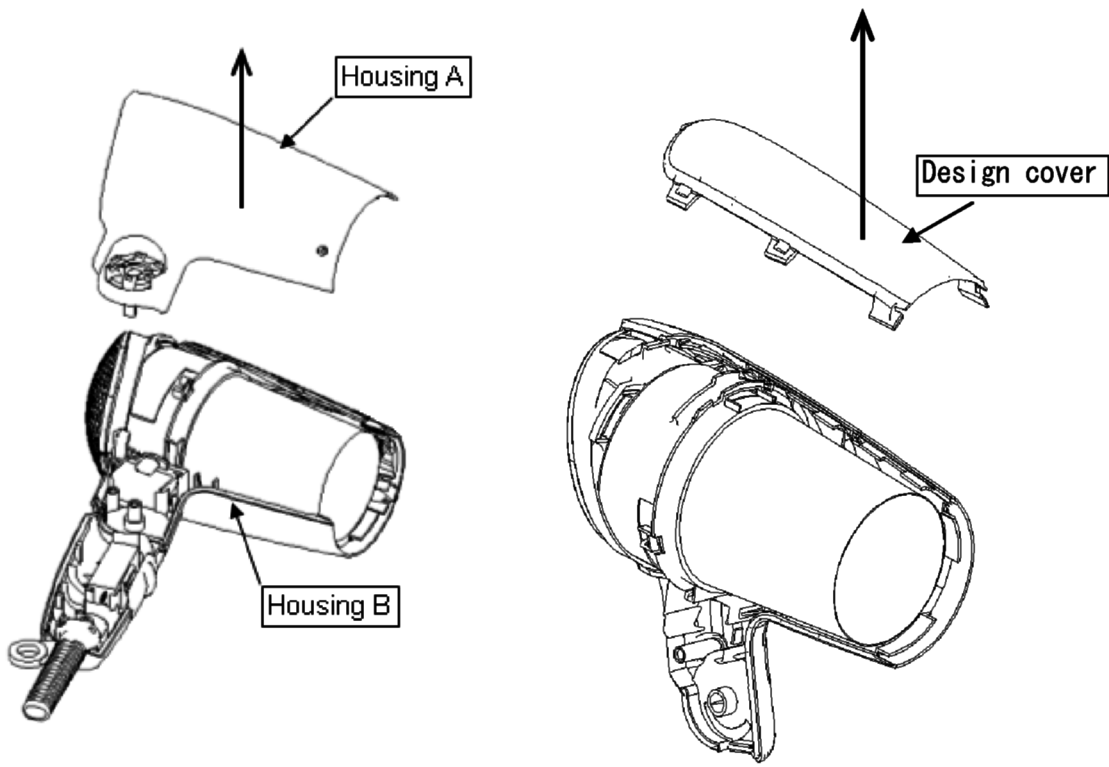


Figure 8

Figure 9

6. Take off a Motor heater block from Housing B as figure 10.

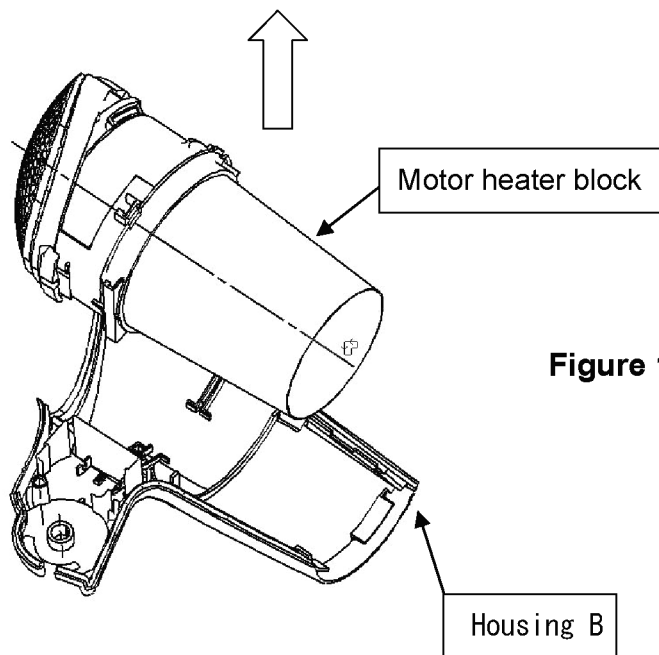


Figure 10

7. Take off an Air inlet grill from a Motor heater block as figure 11.

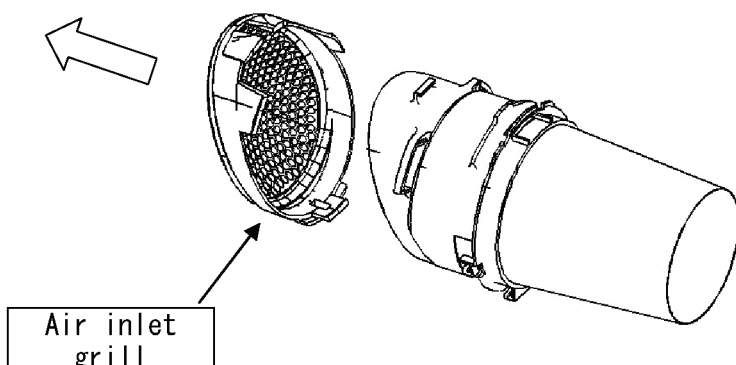


Figure 11

4.2. Assembly instruction

1. Install Lead wires with Main switch and Capacitor as figure 12.

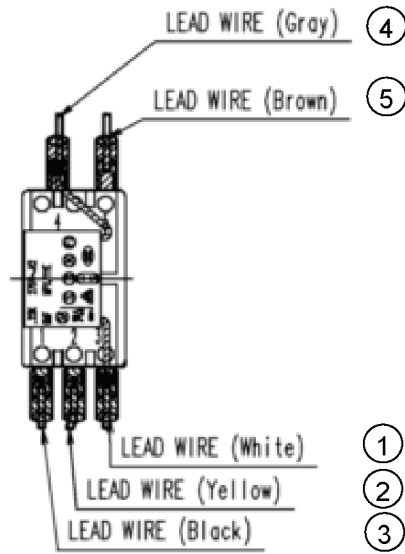


Figure 12

2. Connecting and soldering Motor heater block with Main switch as figure 13.

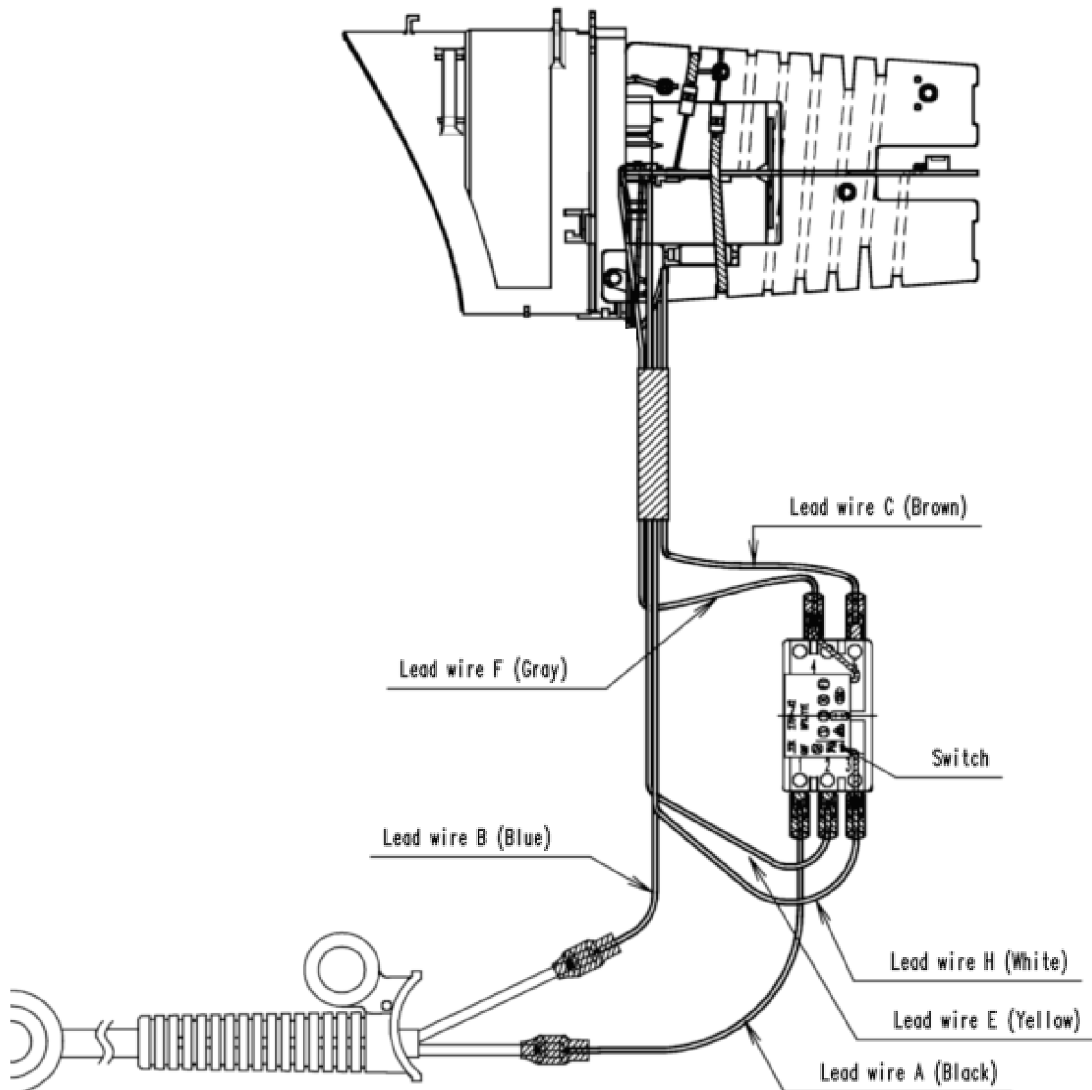


Figure 13

3. Assemble a Motor heater block with a Housing B as figure 14.

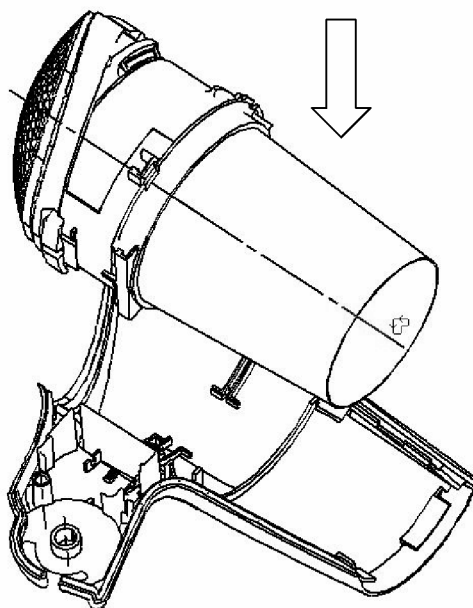


Figure 14

4. Assemble a Design cover with a Housing B as figure 15.

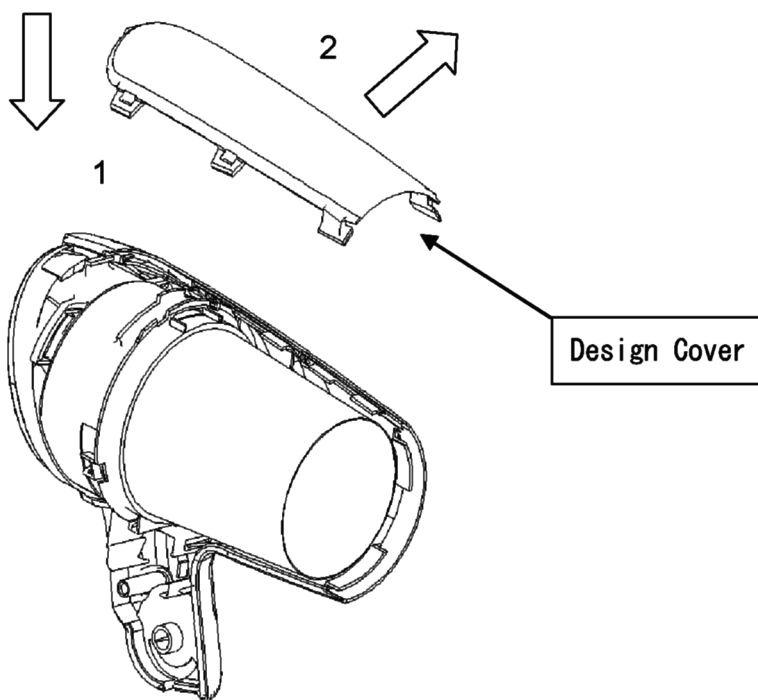


Figure 15

5. Assemble Motor heater block with Handle B and Housing B as figure 16.

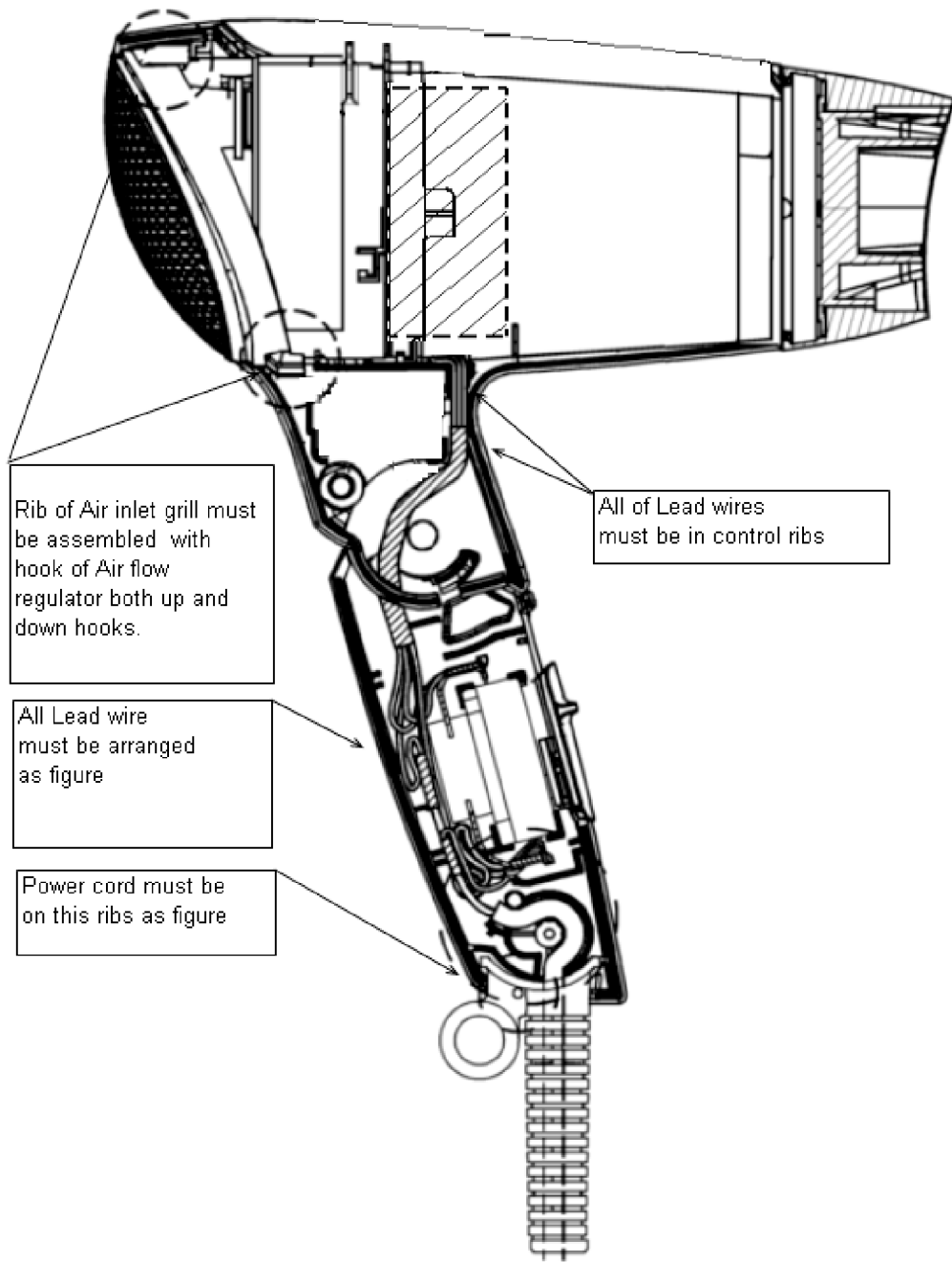


Figure 16

6. Assembly handle A , screw and nozzle A,B as shown figure 17.

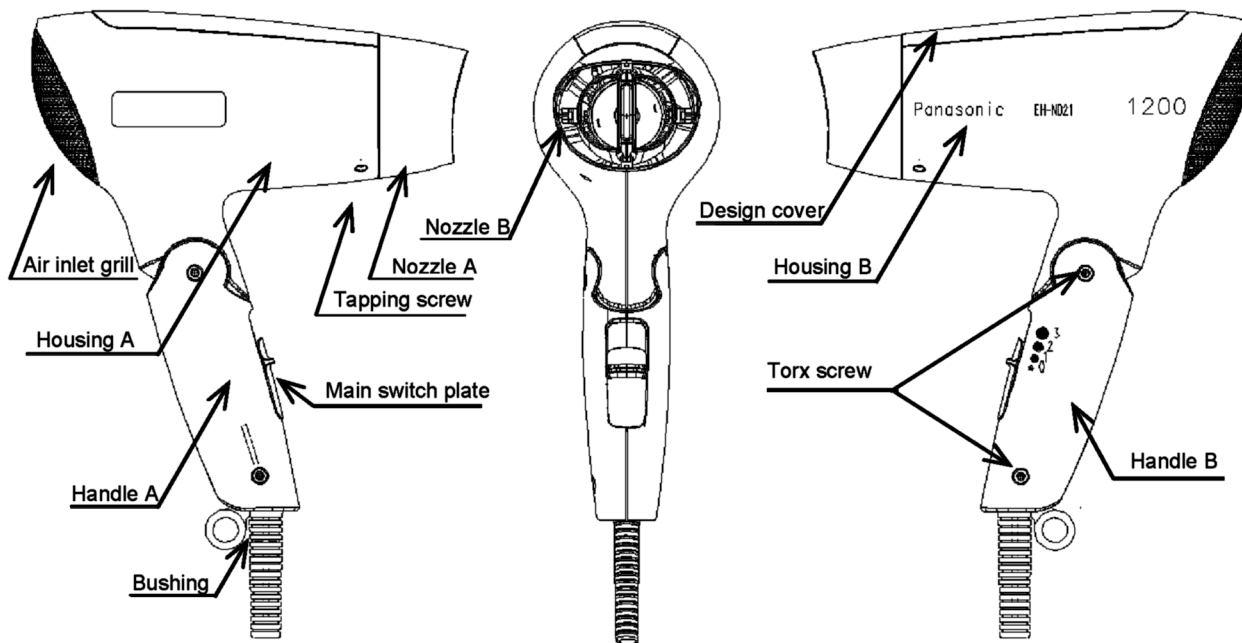


Figure 17

5 Wiring Connection Diagram

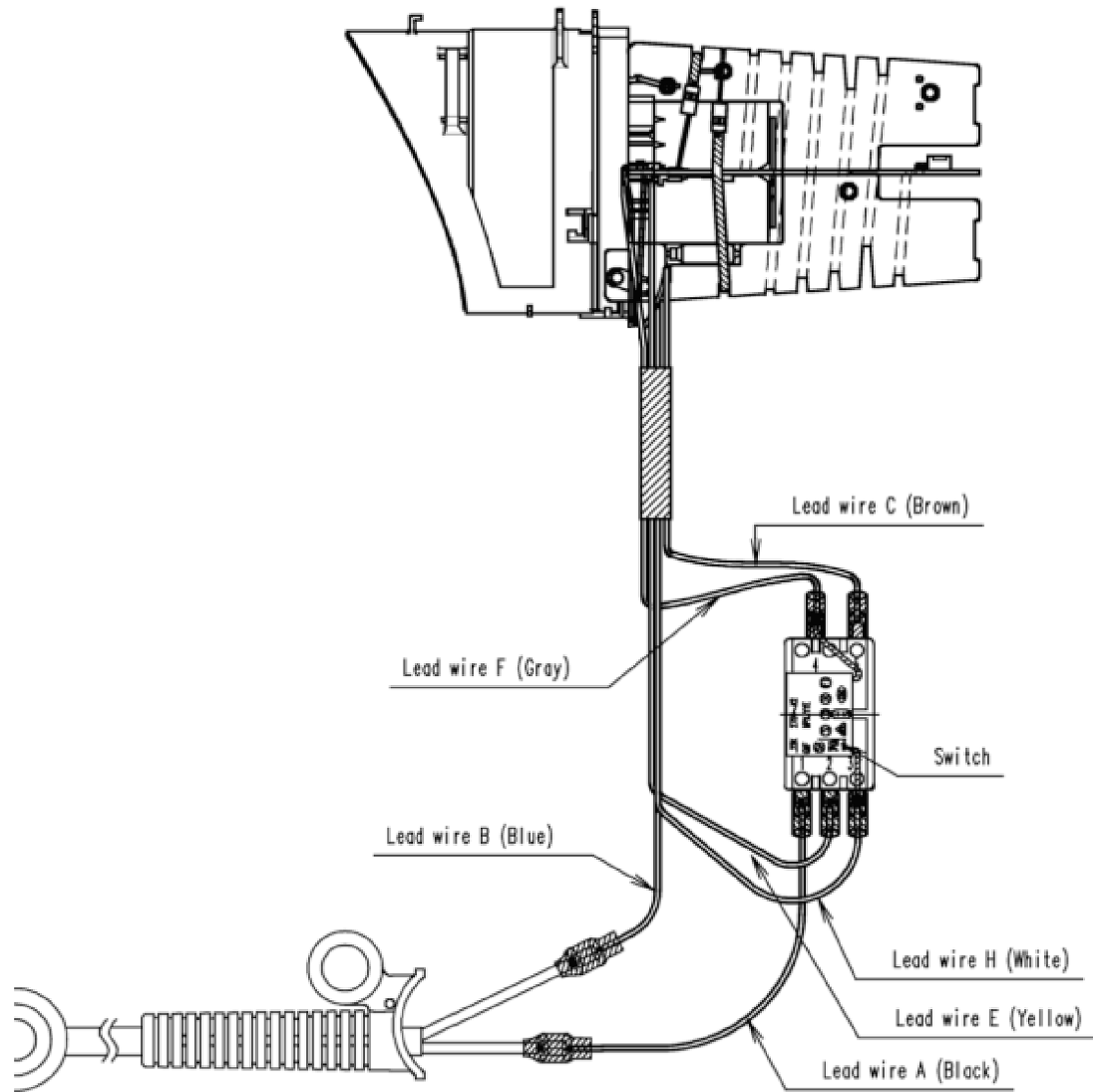


Figure 18

6 Schematic Diagram

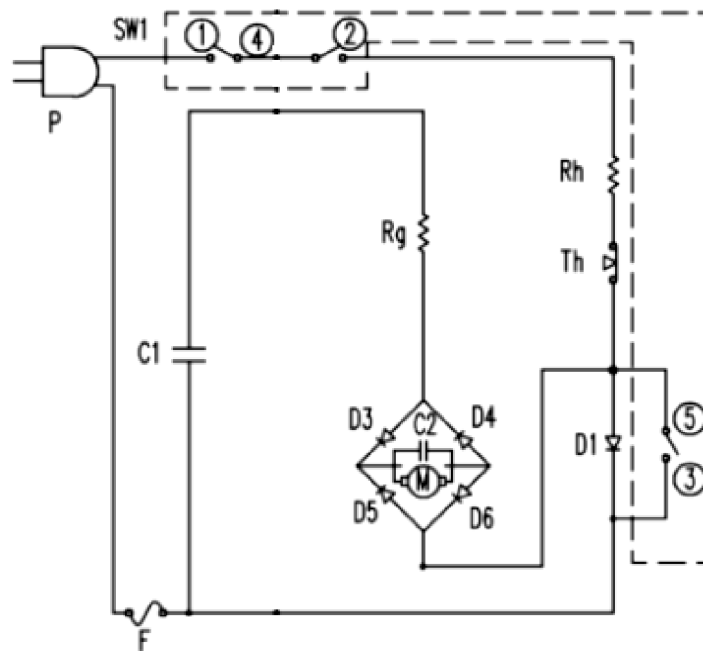


Figure 19

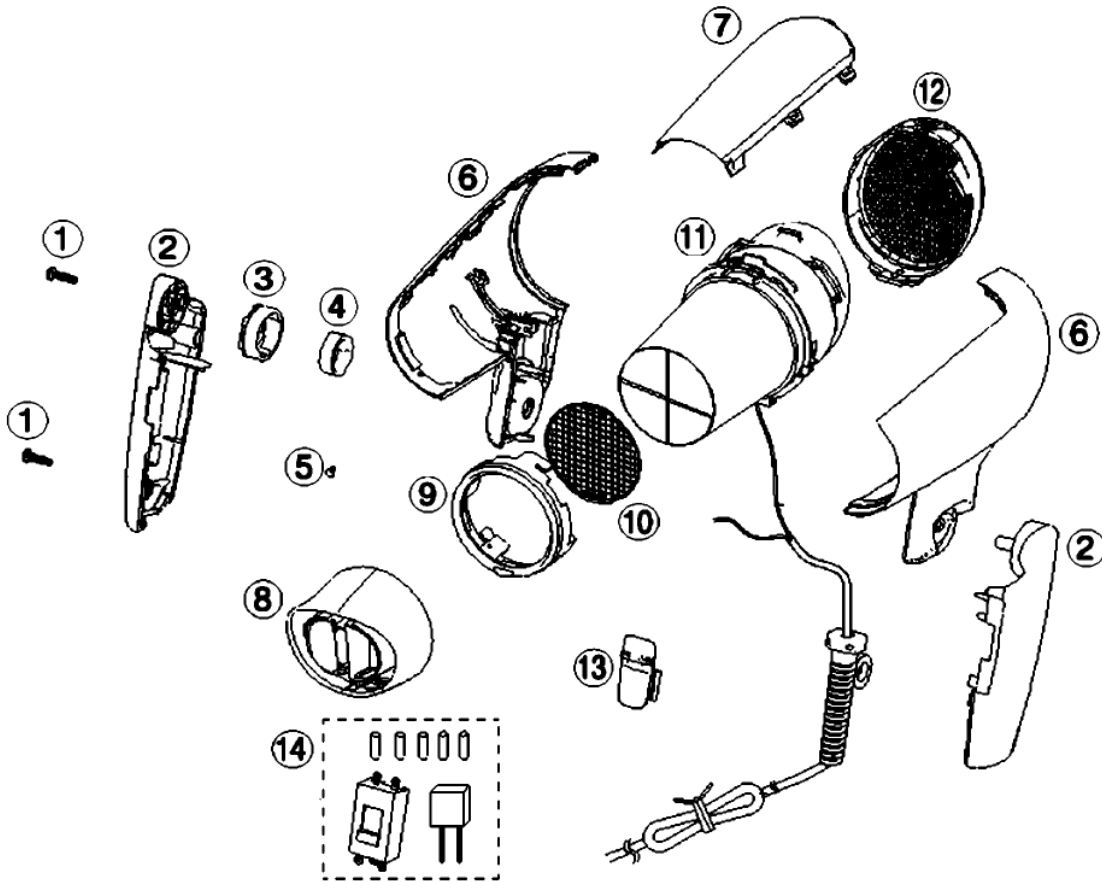
Function	①-④	②-④	③-⑤
0 (Off)	X	X	X
1 (Cold)	0	X	X
2 (Set)	0	0	X
3 (Turbo)	0	0	0

0 - ON
X - OFF

Symbol	Parts name	Specification	Q'ty
Rh	Resistance wire heater	10.74±0.3 Ω, FCHR02, 0.18x1.8 mm ²	1
Rg	Voltage dropping resistor	105.0±5.0 Ω, NCHW2 785 Ω/m, φ0.15	1
Th	Temperature limiter	110±5 °C	1
F	Thermal fuse	142°C, 15A 250V	1
D1	Diode (Heater)	1000V, 7A	1
D3,D4,D5,D6	Diode (Rectifier)	600V, 1A	1
C1	Interference suppression capacitor	0.22uF, 275VAC	1
C2	Capacitor across motor	0.1uF, 100VDC	1
SW1	Main switch	13.5A, AC125V or 7.5A, AC250V	1
P	Power Cord	A2, 14A/125V, Sunfai	1

7 Exploded View and Replacement Parts List

Model No. : EH-ND21 Exploded View



Remarks : *1 Individual Available
All parts are supplied from PEW-Thailand through PLGA

Model No. : EH-ND21 Parts List

Safety	Ref. No.	Part No.	Part Name & Description	Q'ty	Remarks
	1	EHND21T0312W	TORX SCREW 3.0*12	2	*1
	2	EHND21HDW1W	HANDLE AB	1	
	3	EHND21CRTW	CLICK RING	1	
	4	EHND21SRTW	SWIVEL RING	1	
	5	EHND21T2004W	TAPPING SCREW 2.0*4	1	
	6	EHND21HSW1W	HOUSING AB	1	
	7	EHND21DSCPW	DESIGN COVER	1	
	8	EHND21NZPW	NOZZLE AB BLOCK	1	
	9	EHND21AORW	AIR OUTLET RING	1	
	10	EHND21AOGW	AIR OUTLET GRILL	1	
	11	EHND21MHA2W	MOTOR HEATER BLOCK	1	A2-PLUG (WITH 5 INSULATION TUBES)
	12	EHND21AIGHW	AIR INLET GRILL	1	
	13	EHND21MSPWW	MAIN SWITCH PLATE	1	
	14	EHND21MS2W	MAIN SWITCH	1	(WITH CAPACITOR, 5 INSULATION TUBES)
	-	EHND2113503W	INSTRUCTION BOOKLET	1	
	-	EHND2113501W	INDIVIDUAL PACKAGE	1	