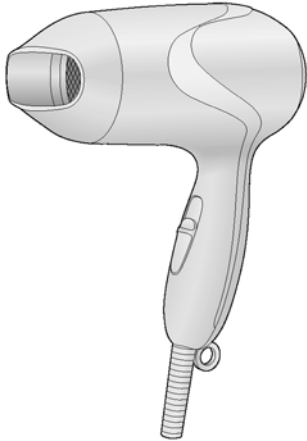


Service Manual

Hair Dryer

Model No. **EH-ND12**
EH-ND13

INDONESIA



⚠ WARNING

This service information is designed for experienced repair technicians only and is not designed for use by the general public. It does not contain warnings or cautions to advise non-technical individuals of potential dangers in attempting to service a product. Products powered by electricity should be serviced or repaired only by experienced professional technicians. Any attempt to service or repair the product or products dealt with in this service information by anyone else could result in serious injury or death.

IMPORTANT SAFETY NOTICE

There are special components used in this equipment which are important for safety. These parts are marked by **⚠** in the Schematic Diagrams, Circuit Board Diagrams, Exploded Views and Replacement Parts List. It is essential that these critical parts should be replaced with manufacturer's specified parts to prevent shock, fire or other hazards. Do not modify the original design without permission of manufacturer.

TABLE OF CONTENTS

	PAGE	PAGE
1 Warning -----	2	
2 Specifications -----	2	
3 Troubleshooting Guide -----	3	
4 Disassembly and Assembly Instructions -----	4	
5 Wiring Connection Diagram -----	9	
6 Schematic Diagram -----	10	
7 Exploded View and Replacement Parts List -----	11	

1 Warning

Caution:

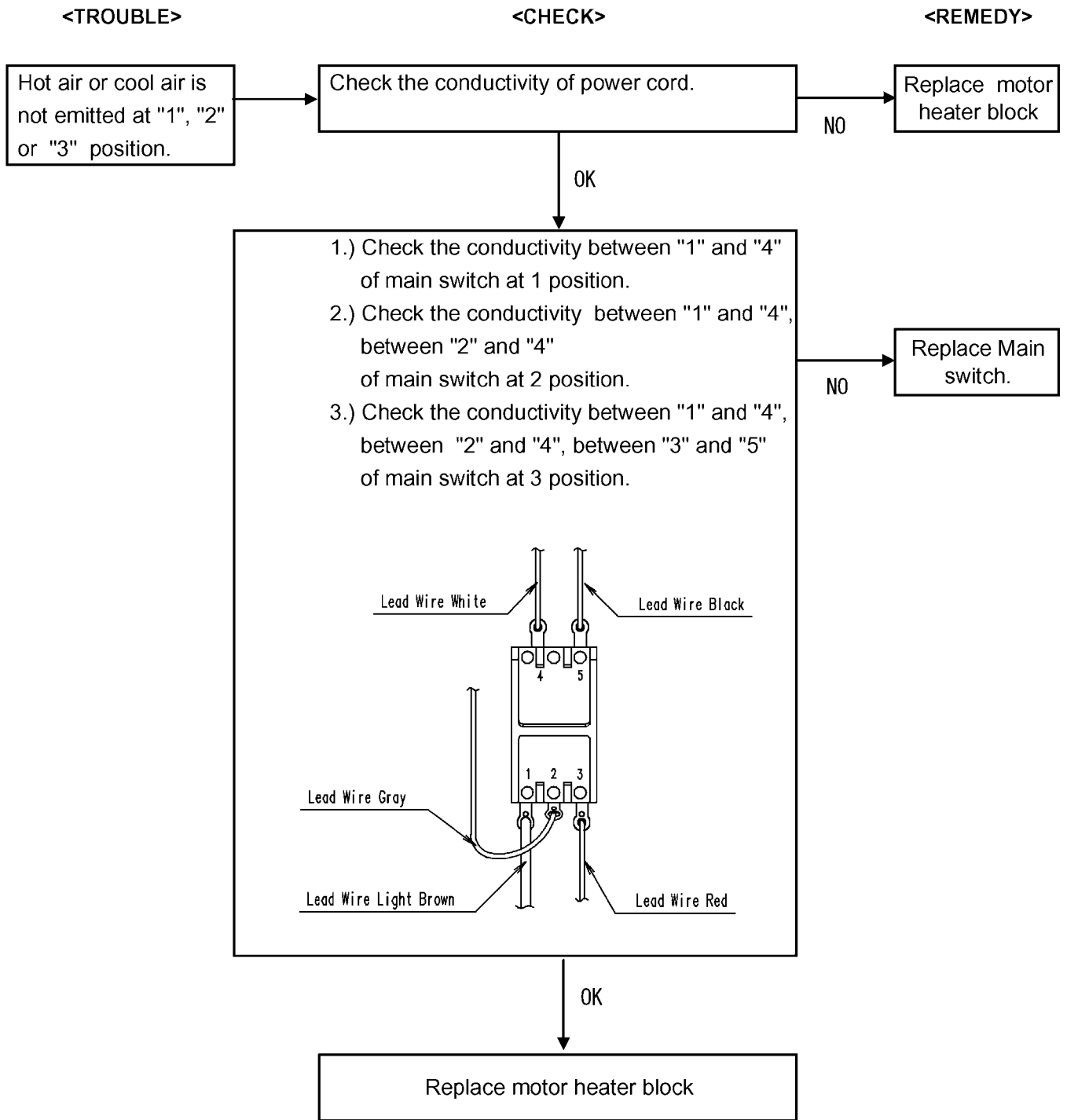
- Pb free solder has a higher melting point than standard solder; Typically the melting point is 50 - 70°F (30 - 40°C) higher. Please use a soldering iron with temperature control and adjust it to 750 ± 20°F (400 ± 10°C). In case of using high temperature soldering iron, please be careful not to heat too long.
- Pb free solder will tend to splash when heated too high (about 1100°F / 600°C).

2 Specifications

Sales Area		Indonesia (415)
Power source		AC220, 50-60Hz
Power consumption	240V	-
	230V	-
	220V	400 W
Air volume with attachment	Set Nozzle	0.8 m ³ /min
	Dry Nozzle	0.8 m ³ /min
Air flow temperature (in case of room temperature 30°C)		55°C
Cord length		1.70m
Weight (without Cord and Attachment)		245 g

3 Troubleshooting Guide

Refer to WIRING CONNECTION DIAGRAM.



4 Disassembly and Assembly Instructions

4.1. Disassembly instruction

1. Remove 1 torque screw from Housing B by using torque head driver as shown in Figure 1.

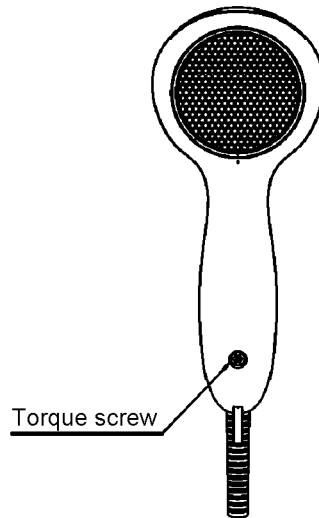


Figure 1

2. Remove 3 hooks of Housing B from Housing A by using flared tip screw driver as shown in Figure 2.

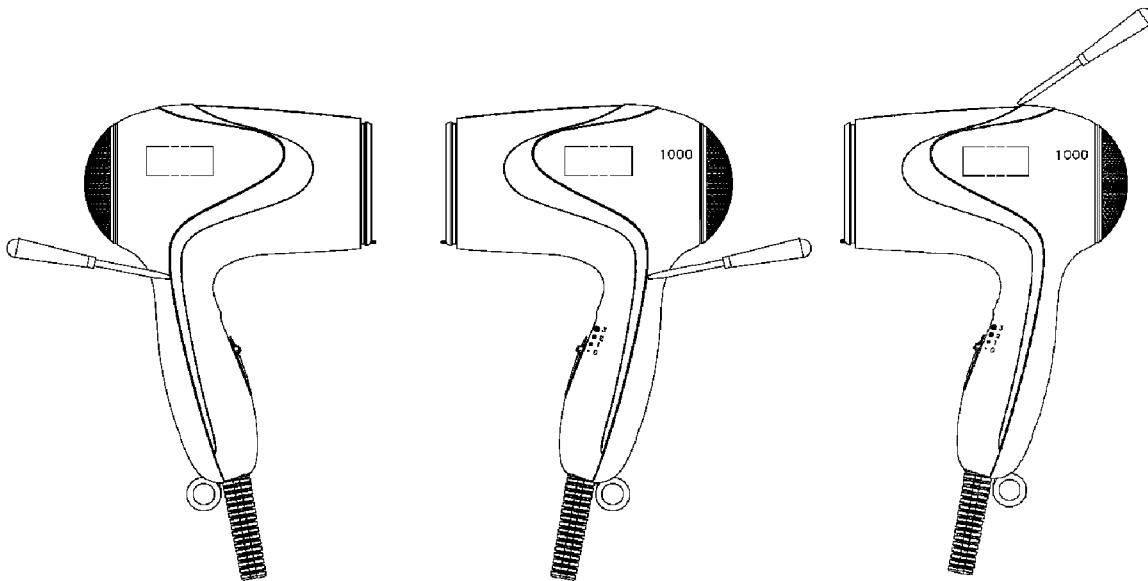


Figure 2

3. Remove the Motor B/K, Heater B/K, and Main switch.

4.2. Assembly instruction

CAUTION: When soldering lead wires on the main switch, location and orientation of lead wires must be as shown in Figure 3.

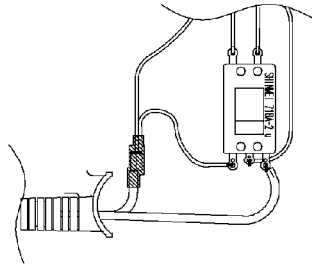


Figure 3

1. Assemble Heater B/K into slots of Motor B/K as shown in Figure 4.

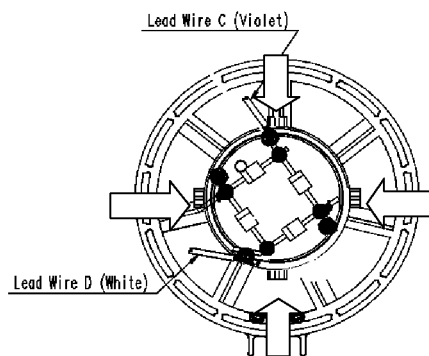


Figure 4

2. Solder lead wire White and lead wire Violet into Heater B/K as shown in Figure 5.

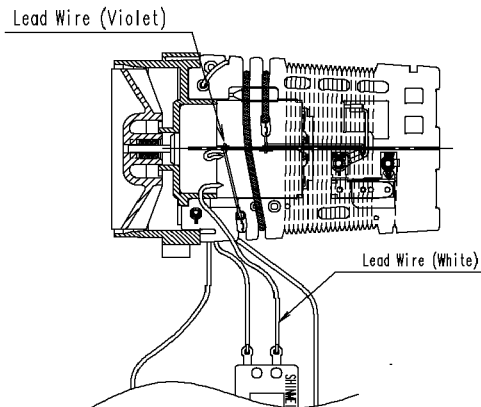


Figure 5

3. Insert the Lead wires between the guide post of Air flow regulator, and align Heater insulator slot and lead wires as shown in Figure 6.

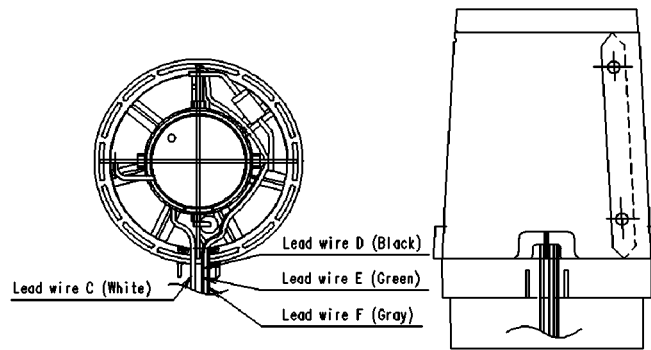


Figure 6

4. Put Air flow ass'y B/K into Housing B and aligning all lead wires as shown in Figure 7.

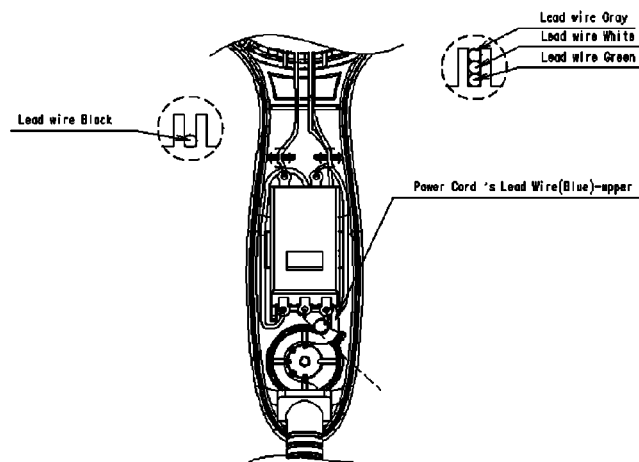


Figure 7

5. Set Air outlet Grill to Housing A by aligning slot of Air outlet grill and Housing A as shown in Figure 8.

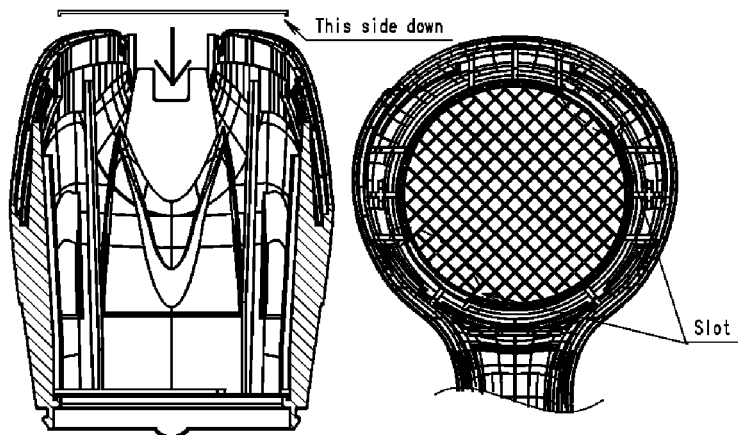


Figure 8

6. Assemble Air inlet grill into Housing B by aligning mark of Air inlet grill and mark of Housing B as shown in Figure 9.

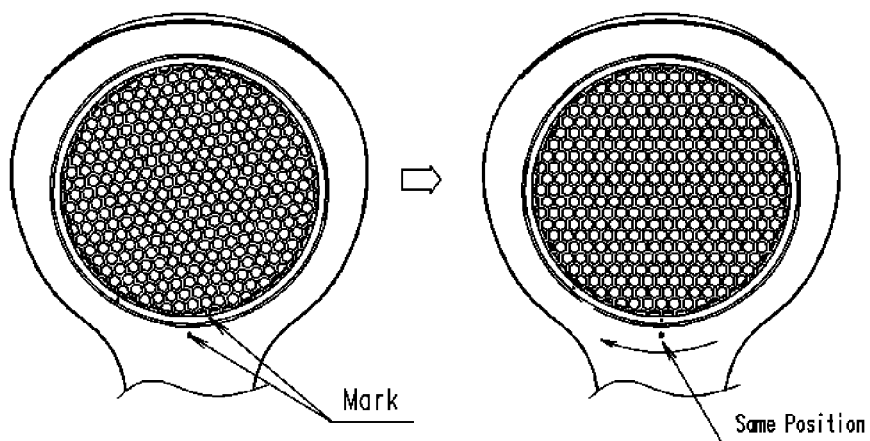


Figure 9

7. Install Main switch plate and Main switch lever with Housing A, then assembly Housing A and Housing B as shown in Figure 10.

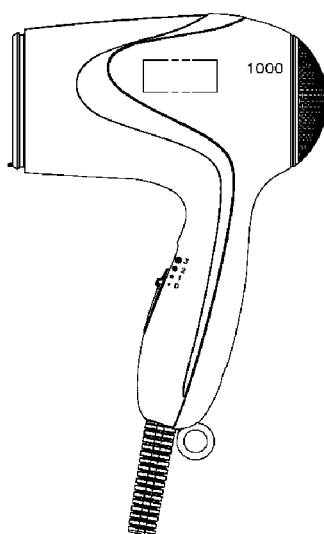


Figure 10

8. Fasten 1 torque screw as shown in Figure 11.

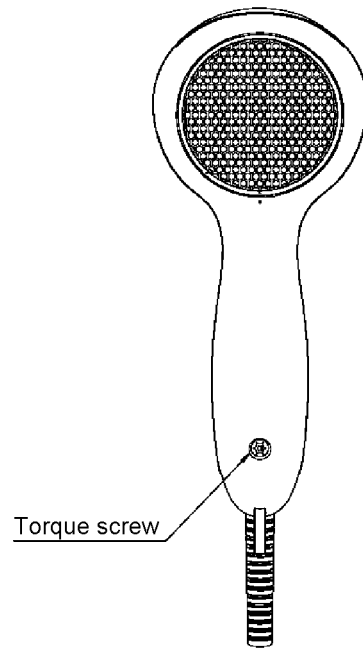


Figure 11

5 Wiring Connection Diagram

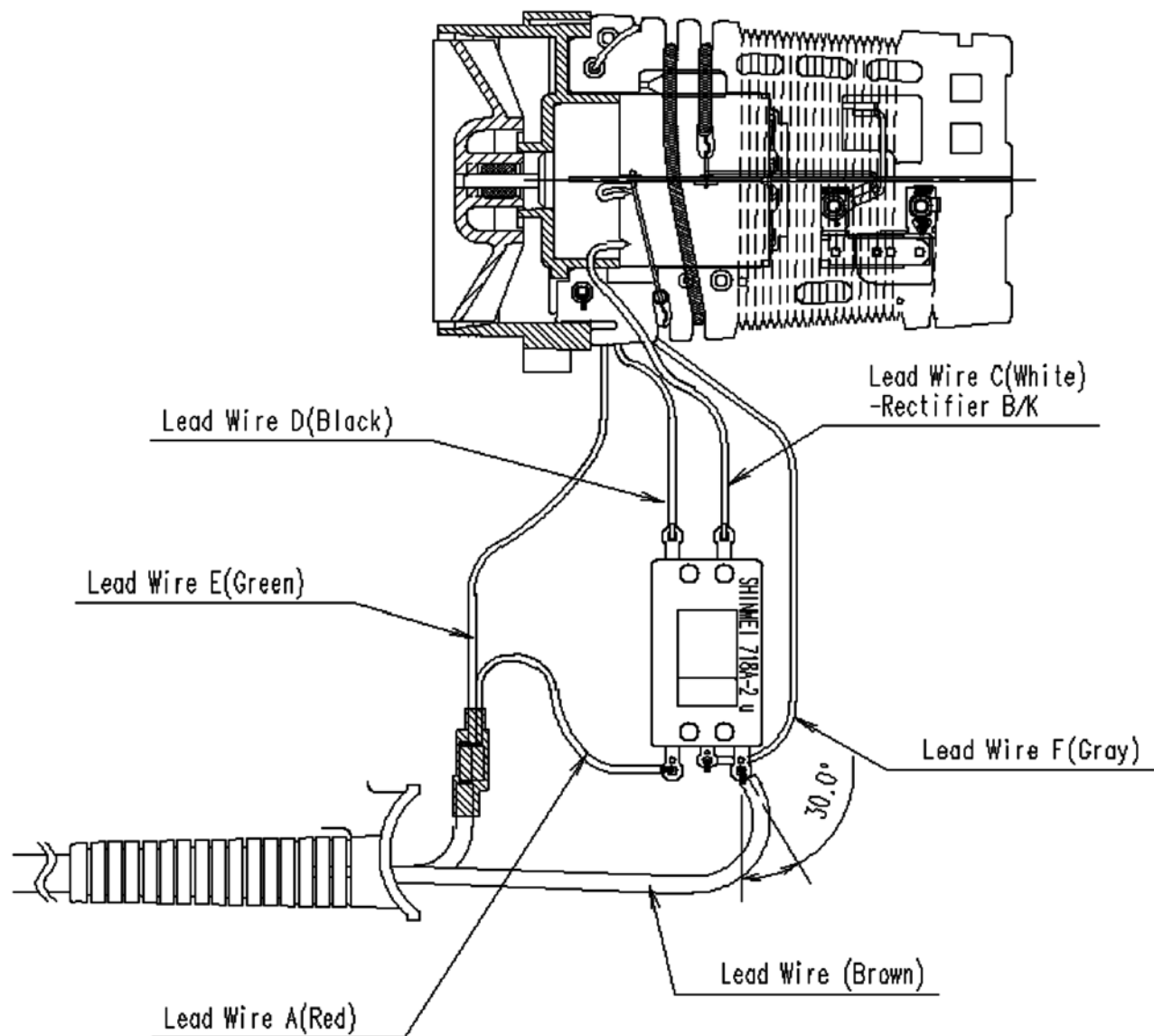


Figure 12

6 Schematic Diagram

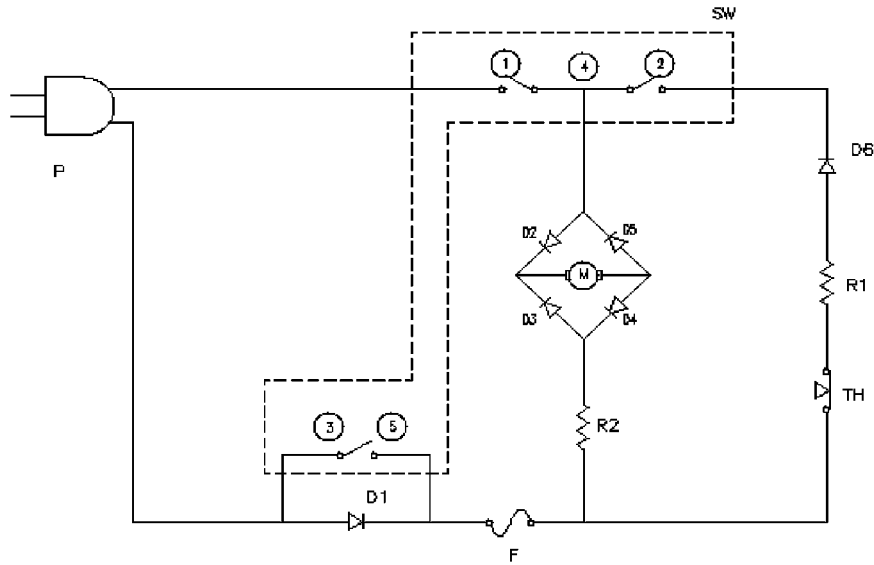


Figure 13



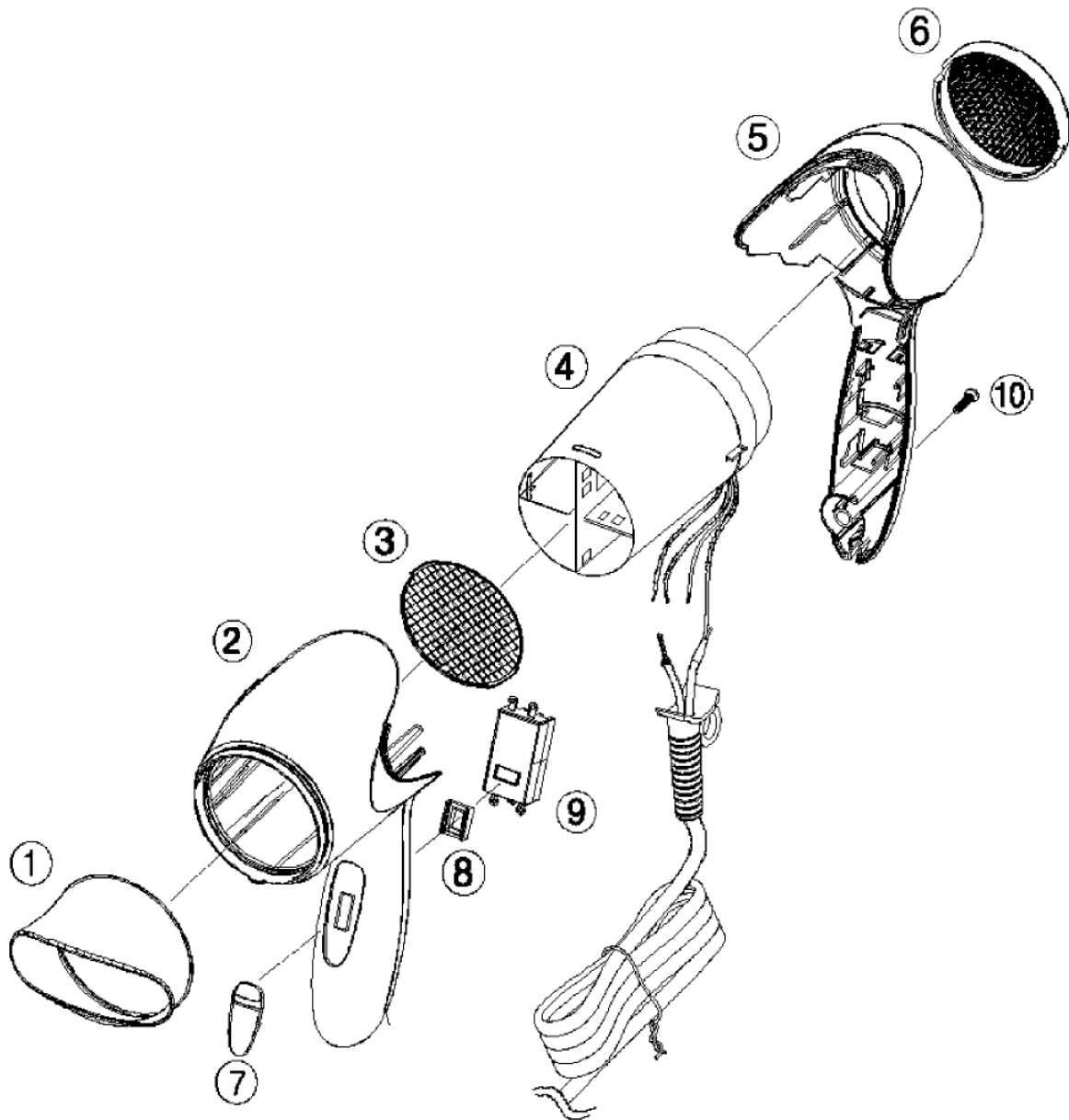
O = ON
X = OFF

R1	Resistance Wire	FCHW1, R=102 Ω	1
R2	Voltage Dropping Resistance Wire	NCHW2, 1100 Ω/m, R = 262 Ω	1
TH	Thermal Cut-Out	85°C	1
F	Thermal Fuse	133°C, 15A 250V	1
D1,D6	Diode	1000V, 7A	1
D2-D5	Rectifier Diode	600V, 1A	1
P	Power Cord		1
SW	Main Switch SLS-24-718A-2	7.5A / 250V	1

	① - ④	② - ④	③ - ⑤
0 (Off)	X	X	X
1 (Cold)	O	X	X
2 (Healthy)	O	O	X
3 (Turbo)	O	O	O

7 Exploded View and Replacement Parts List

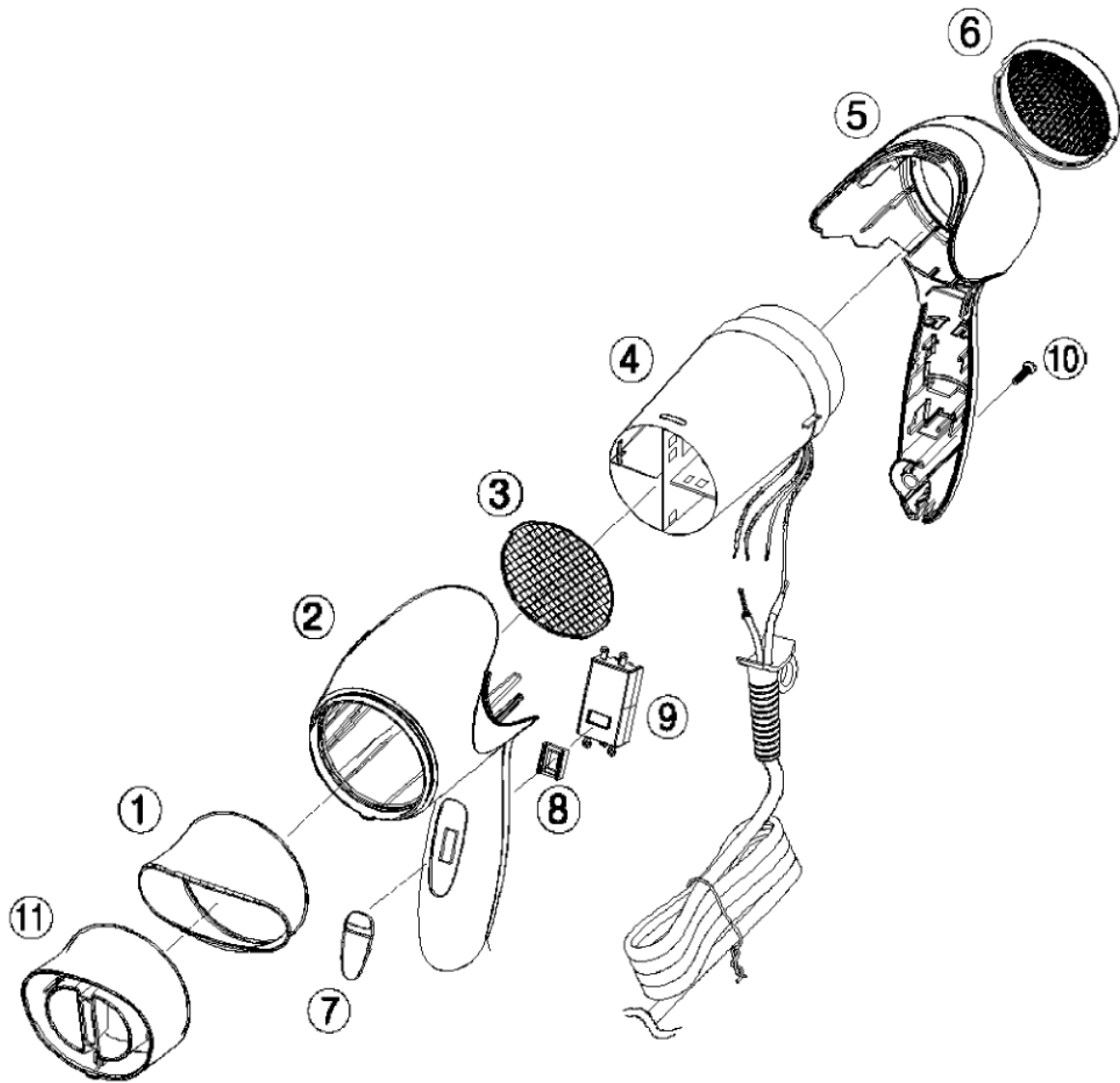
Model No. : EH-ND12 Exploded View for EH-ND12



Model No. : EH-ND12 Parts List

Safety	Ref. No.	Part No.	Part Name & Description	Q'ty	Remarks
EH-ND12					
	1	EHND12SNZPW	SET NOZZLE	1	
	2	EHND12HSAPW	HOUSING A	1	
	3	EHND12AOGW	AIR OUTLET GRILL	1	
	4	EHND12MH4B2W	MOTOR HEATER BLOCK	1	B2-PLUG, INDONESIA
	5	EHND12HSBP4W	HOUSING B	1	
	6	EHND12AIGPW	AIR INLET GRILL	1	
	7	EHND12MSPPW	MAIN SWITCH PLATE	1	
	8	EHND12MSLHW	MAIN SWITCH LEVER	1	
	9	EHND12MSW	MAIN SWITCH	1	
	10	EHND12T0312W	TORX SCREW 3.0*12	1	
	-	EHND1241503W	OPERATING INSTRUCTIONS	1	
	-	EHND1241501W	INDIVIDUAL PACKAGE	1	

Model No. : EH-ND13 Exploded View for EH-ND13



Model No. : EH-ND13 Parts List

Safety	Ref. No.	Part No.	Part Name & Description	Q'ty	Remarks
EH-ND13					
	1	EHND13SNZVW	SET NOZZLE	1	
	2	EHND13HSAVW	HOUSING A	1	
	3	EHND13AOGW	AIR OUTLET GRILL	1	
	4	EHND13MH4B2W	MOTOR HEATER BLOCK	1	B2-PLUG, INDONESIA
	5	EHND13HSEV4W	HOUSING B	1	
	6	EHND13AIGVW	AIR INLET GRILL	1	
	7	EHND13MSPVW	MAIN SWITCH PLATE	1	
	8	EHND13MSLHW	MAIN SWITCH LEVER	1	
	9	EHND13MSW	MAIN SWITCH	1	
	10	EHND13T0312W	TORX SCREW 3.0*12	1	
	11	EHND13NZVW	NOZZLE AB BLOCK	1	
	-	EHND1341503W	OPERATING INSTRUCTIONS	1	
	-	EHND1341501W	INDIVIDUAL PACKAGE	1	