

Service Manual

Supplement



(Household) Hair Straightener

Model No. EH-HS99

North America

**** Add country code for USA ****

Please file and use this manual together with the service manual for Model No. EH-HS99 Order No. PEWT1711A36CE

⚠ WARNING

This service information is designed for experienced repair technicians only and is not designed for use by the general public. It does not contain warnings or cautions to advise non-technical individuals of potential dangers in attempting to service a product. Products powered by electricity should be serviced or repaired only by experienced professional technicians. Any attempt to service or repair the product or products dealt with in this service information by anyone else could result in serious injury or death.

IMPORTANT SAFETY NOTICE

There are special components used in this equipment which are important for safety. These parts are marked by **⚠** in the Schematic Diagrams, Circuit Board Diagrams, Exploded Views and Replacement Parts List. It is essential that these critical parts should be replaced with manufacturer's specified parts to prevent shock, fire or other hazards. Do not modify the original design without permission of manufacturer.

TABLE OF CONTENTS

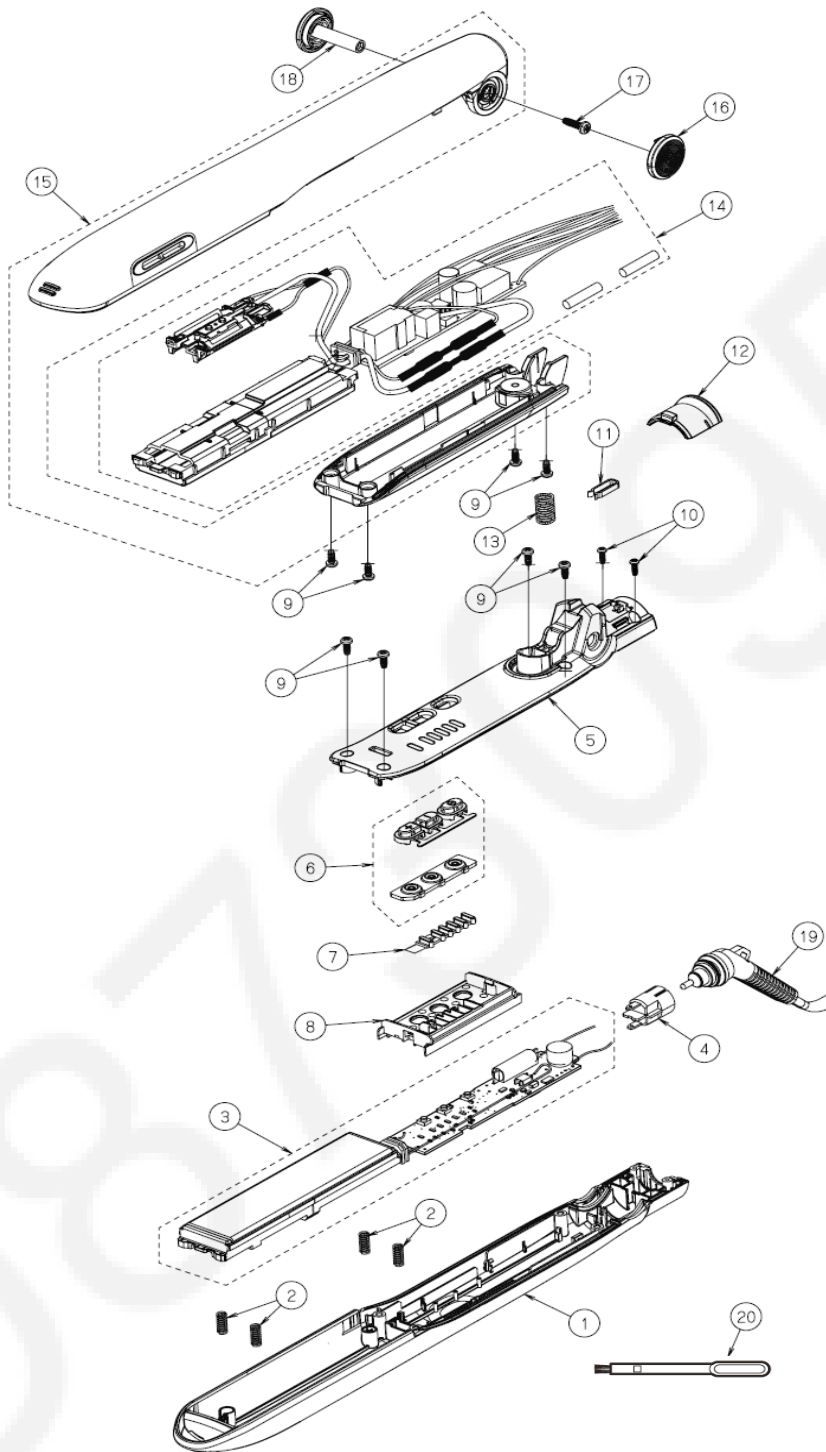
	Page
1 Exploded View & Replacement Parts List -----	2-3

Panasonic

© Panasonic Corporation 2016 Unauthorized copying and distribution is a violation of law.

7 EXPLODED VIEW & REPLACEMENT PARTS LIST

7.1 Model No. : EH-HS99 Exploded View



All parts are supplied from PMFTH-AP through PLAP

Model No. : EH-HV20 Parts List

Safety	Ref. No.	Part No.	Parts Name & Descriptions	Q'ty	Remarks
	1	EHHS99HS235W	HOUSING A ASSEMBLY (MATT BLACK)	1	FOR -K235 : US
	2	EHHS99FSW	SPRING (FLOATING SPRING)	4	*1
	3	EHHS99HAB23W	HEATER A ASSEMBLY	1	FOR -K235 : US
	4	EHHS99CTBW	CONNECTOR COVER ASSEMBLY	1	
	5	EHHS99HSB23W	HOUSING B (COPPER GOLD)	1	FOR -K235 : US
	6	EHHS99SWBNW	SWITCH BUTTON ASSEMBLY (BROWN)	1	
	7	EHHS99LEDLW	LED LENS (MILKY WHITE)	1	
	8	EHHS99SWCBW	SWITCH COVER (BLACK)	1	
	9	EHHS99T266BW	TAPPING SCREW 2.6*6	8	*1
	10	EHHS99T206BW	TAPPING SCREW 2.0*6	2	*1
	11	EHHS99LPSW	LOCK PLATE SPRING	1	
	12	EHHS99SLPBW	SLIDE LOCK PLATE (BLACK)	1	
	13	EHHS99PSW	PIVOT SPRING	1	
	14	EHHS99HBB23W	HEATER B ASSEMBLY (BLACK)	1	INCLUDE 2 INSULATION TUBES
	15	EHHS99PP235W	PRESS PLATE (WITH PRESS PLATE COVER)	1	FOR -K235 : US
	16	EHHS99SCBW	SHAFT COVER (BLACK)	1	
	17	EHHS99T3010W	TORX SCREW 3.0*10	1	
	18	EHHS99SHBW	SHAFT (BLACK)	1	
	19	EHHS99PC23BW	POWER CORD (A2-PLUG,BLACK)	1	FOR -K235 : US
	20	EHHS99CBW	CLEANER BRUSH	1	
	-	EHHS9923503W	OPERATING INSTRUCTIONS	1	FOR -K235 : US
	-	EHHS9923501W	INDIVIDUAL PACKAGE	1	FOR -K235 : US
	-	EHHS99S09W	FILLER FOR PACKAGE	1	

Remarks : *1 Individual Available