

Service Manual

AC/Rechargeable Shaver

Simplified

Model No. **ES-LV9N**

RUSSIA

OCEANIA

MIDDLE EAST

Please file and use this manual together with the service manual for Model No. ES-LV95/ES-LV94/ES-LV65/ES-LV54, Order No.SD1309A37CE.

 **WARNING**

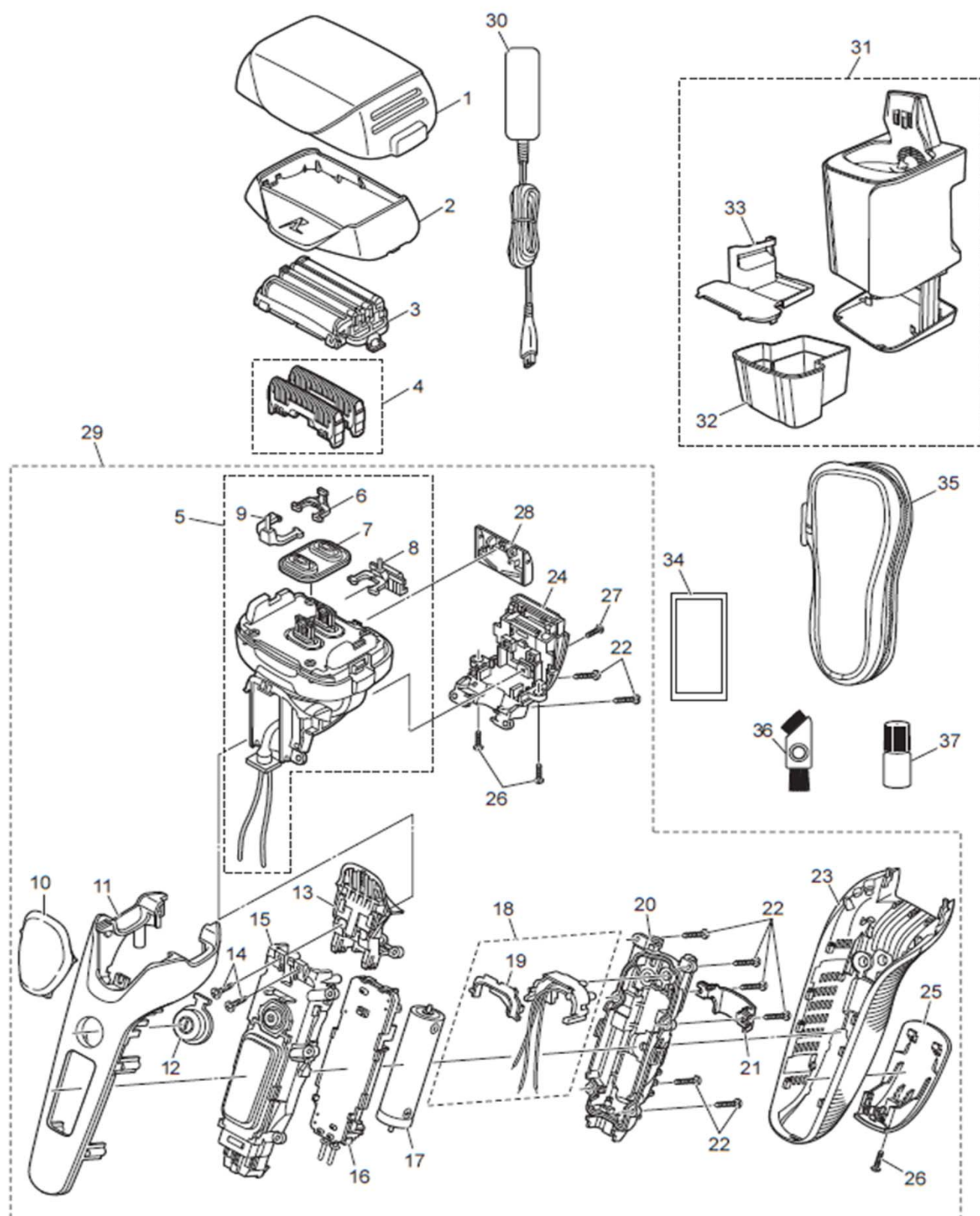
This service information is designed for experienced repair technicians only and is not designed for use by the general public. It does not contain warnings or cautions to advise non-technical individuals of potential dangers in attempting to service a product. Products powered by electricity should be serviced or repaired only by experienced professional technicians. Any attempt to service or repair the product or products dealt with in this service information by anyone else could result in serious injury or death.

There are special components used in this equipment which are important for safety. These parts are marked by ! in the Schematic Diagrams, Circuit Board Diagrams, Exploded views and Replacement Parts List. It is essential that these critical parts should be replaced with manufacture's specified parts to prevent shock, fire or other hazards. Do not modify the original design without permission of manufacturer.

Panasonic[®]

©Panasonic Corporation 2016 Unauthorized copying and distribution is a violation of law.

EXPLODED VIEWS



Ref.No.	Part No.	Part Name & Descriptions	Quantity	Remarks
1	WESLV94X7158	PROTECTIVE CAP	1	
2	WESLV9NS0048	OUTER FOIL FRAME	1	
3	WES9175Y	OUTER FOIL	1	EUROPE
3	WES9175E	OUTER FOIL	1	MIDDLE EAST
4	WES9170Y	INNER BLADE	1ST	EUROPE
4	WES9170E	INNER BLADE	1ST	MIDDLE EAST
5	WESLV9AL1007	LINEAR MOTOR ASSEMBLY	1	
6	WESLV90L1077	SLIT BLADE DRIVING BAR	1	
7	WESLV90L0327	WATERPROOF RUBBER	1	
8	WESLV90L1087	TRIMMER DRIVING BAR	1	
9	WESLV90L1177	FINISHING BLADE DRIVING BAR	1	
10	WESLV9AL0327	FINGER PANEL	1	
11	WESLT8NS3058	FRONT PANEL	1	
12	WESLT8NS3568	SWITCH BUTTON	1	
13	WESLV9AL3107	SUSPENSION	1	
14	WESLT8NL6048	TAPPING SCREW	1	
15	WESLT8NL3068	HOUSING A	1	
16	WESLV9NL2128	MODULE	1	
17	WESLV95L2508	RECHARGEABLE BATTERY	1	LI-ION/EUROPE, OCEANIA
17	WESLV95L2509	RECHARGEABLE BATTERY	1	LI-ION/MIDDLE EAST
18	WES8258L0497	TERMINAL BASE	1	
19	WES8232L0498	REAR COVER	1	
20	WESLV9AL3067	HOUSING B	1	
21	WES8238L0487	CONNECTING PLATE	1	
22	WES8176L6007	P TIGHT SCREW	1	M2-12
23	WESLT8NK3368	REAR PANEL	1	
24	WESLT8NK3138	SUSPENSION COVER	1	
25	WESLV9NK3128	BOTTOM COVER	1	RUSSIA
25	WESLV9NK3129	BOTTOM COVER	1	OCEANIA
25	WESLV9NK3120	BOTTOM COVER	1	UAE, MIDDLE EAST
26	WES8176L6057	TAPPING SCREW	1	M2-8
27	WES8238L6007	P TIGHT SCREW	1	M2-8
28	WESELV9L1507	TRIMMER	1	
29	WESLV9NS3039	BODY BLOCK	1	RUSSIA
29	WESLV9NS3030	BODY BLOCK	1	OCEANIA
29	WESLV9NS3031	BODY BLOCK	1	UAE, MIDDLE EAST
30	WESLT8NK7661	CHARGING ADAPTOR	1	
30	WESLT8NK7666	CHARGING ADAPTOR	1	
30	WESLT4NK7675	CHARGING ADAPTOR	1	
30	WESLT6AK7663	CHARGING ADAPTOR	1	
31	WESLV9NK4218	CHARGING STAND	1	
32	WESLV92K7358	CLEANING LIQUID UNIT	1	
33	WESLV92K7367	CLEANING LIQUID FILTER	1	
34	WES4L03-803	DETERGENT	3	EUROPE
34	WES4L03-751	DETERGENT	3	MIDDLE EAST
35	WESLA92K3747	SOFT CASE	1	
36	WES8093H7057	CLEANING BRUSH	1	
37	WES8196X7918	OIL	1	
-	WESLV9NS8008	INDIVIDUAL BOX	1	RUSSIA
-	WESLV9NS8009	INDIVIDUAL BOX	1	OCEANIA
-	WESLV9NS8000	INDIVIDUAL BOX	1	UAE
-	WESLV9NS8001	INDIVIDUAL BOX	1	MIDDLE EAST
-	WESLV9NS8108	OPERATING INSTRUCTIONS	1	RUSSIA
-	WESLV9NS8109	OPERATING INSTRUCTIONS	1	OCEANIA
-	WESLV9NS8100	OPERATING INSTRUCTIONS	1	UAE, MIDDLE EAST