

**Panasonic****Order No.AD1307007AE**

J1

# Service Manual

## Stereo Headphones

Model No. **RP-DH1250E****Colour****(S).....Silver Type**

Please file and use this manual together with the service manual for Model No.RP-DH1200E, Order No.[AD0404040C8](#).

**Specification**

Type:	Dynamic Closed-type
Driver units:	50mm(1 15 / 16in.) diameter
Impedance:	50 Ω
Sensitivity:	107dB / mW
Power handling capacity:	3,500mW( * IEC)
Frequency response:	5Hz-30,000Hz
Cord:	Cord with Remote & Mic : 1.2m Coil Cord : 1.2-3m
Plug:	Stereo mini-plug [3.5mm(1 / 8in.) diameter], L-type, gold-plated
Mass:	360 g(without cord)
Accessories:	Plug adapter (6.3mm) Carrying pouch

\* IEC:International Electrotechnical Commission  
Design and specifications subject to change without notice.

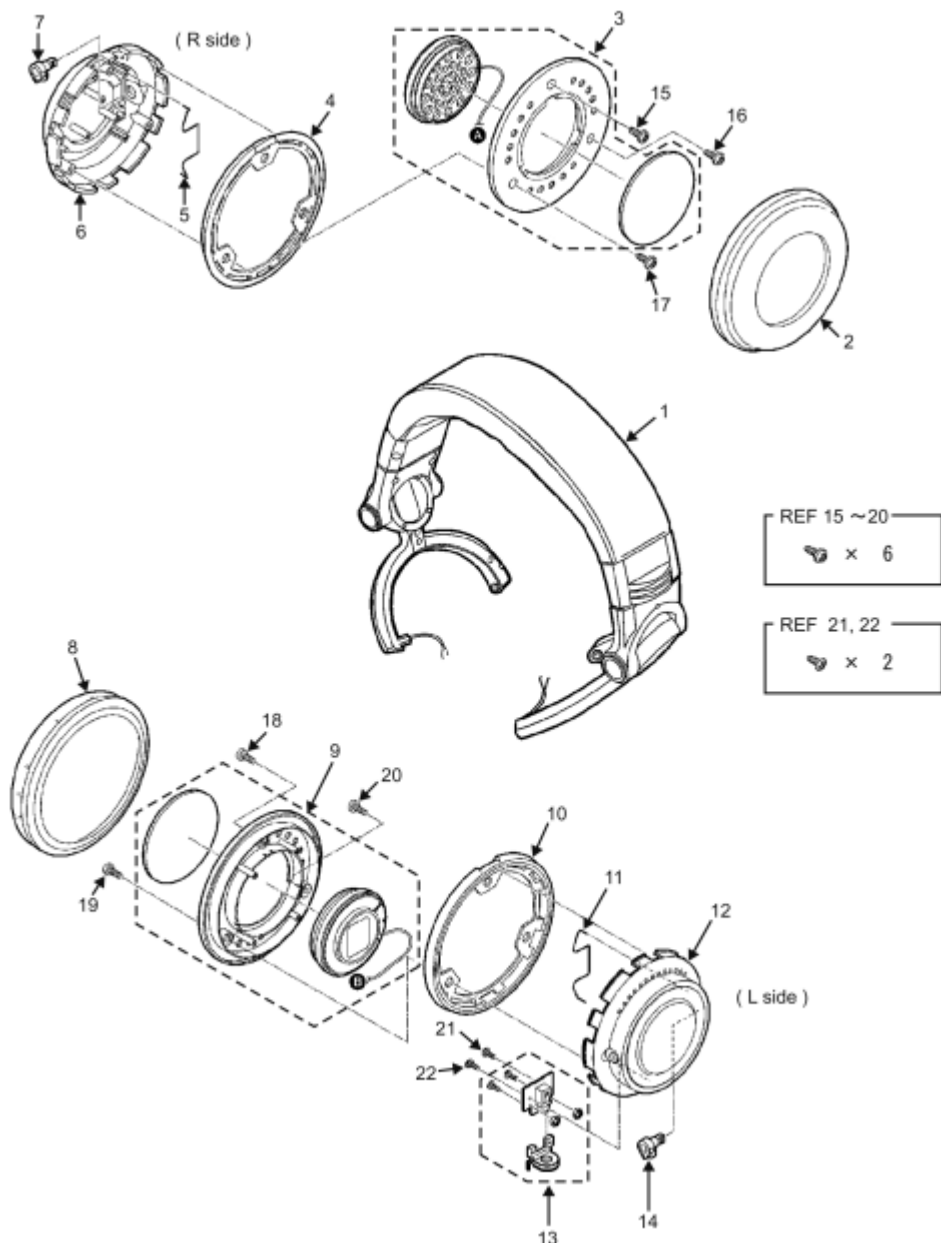
 **WARNING**

This service information is designed for experienced repair technicians only and is not designed for use by the general public. It does not contain warnings or cautions to advise non-technical individuals of potential dangers in attempting to service a product. Products powered by electricity should be serviced or repaired only by experienced professional technicians. Any attempt to service or repair the product or products dealt with in this service information by anyone else could result in serious injury or death.

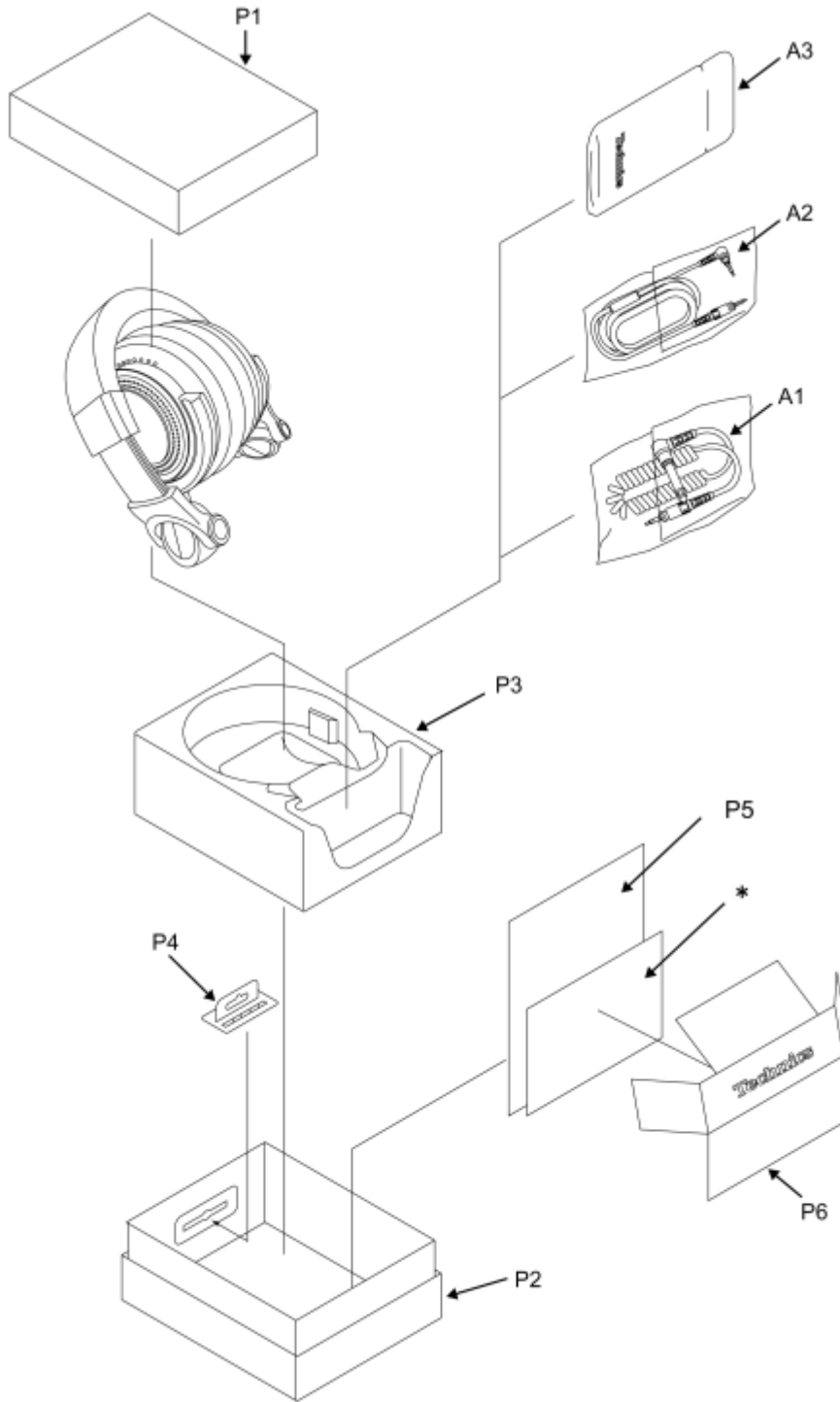
© Panasonic Corporation 2013 Unauthorized copying and distribution is a violation of law.

# 1 Exploded View and Replacement Parts List

## 1.1 Frame and Casing Section



## 1.2 Packing Parts and Accessories Section



\* : Not Supplied

## 1.3 Replacement Parts List

### Note:

- The following parts are supplied by SPG.

Safety	Ref.No.	Part No.	Part Name & Description	Pcs	Remarks
	1	RFX5883	HEAD BAND ASS'Y	1	
	2,8	RFX3936	EAR PAD	2	
	3,9	RFX5015	SPEAKER ASSY	2	
	4,10	RFX3927	RUBBER RING	2	
	5,11	RFX5024	HANGER SPRING	2	
	6	RFX5014	HOUSING R ASSY	1	
	7	RFX3920	HANGER SHAFT R	1	
	12	RFX5012	HOUSING L ASSY	1	
	13	RFX5013	JACK ASS'Y	1	
	14	RFX3919	HANGER SHAFT L	1	
	15-20	RFX5036	SCREW	6	(M3X8 BLACK)
	21,22	RFX5037	SCREW	2	(M2X6 BLACK)
	A1	RFX0G31	CODE ASSY	1	
	A2	RFX0G28	MIC CODE	1	
	A3	RFX0G27	POUCH	1	
	P1	RFX0G25	FACE SIDE BOX ASSY	1	
	P2	RFX0G15	BOTTOM SIDE BOX ASSY	1	
	P3	RFX0D02	BLISTER	1	
	P4	RFX0D01	FOOK	1	
	P5	VQA0912-4	WARARNTY CARD	1	
	P6	RFX5019	INNER CARD A	1	