

# Service Manual

## Speaker System



SB-HF3010



SB-HC3010



SB-HS3010



SB-HW3010

Model No. **SB-HF3010GS**  
**SB-HC3010GS**  
**SB-HS3010GS**  
**SB-HW3010GS**  
**SB-HW3010P**

Colour : (K)... Black Type

### ⚠ WARNING

This service information is designed for experienced repair technicians only and is not designed for use by the general public. It does not contain warnings or cautions to advise non-technical individuals of potential dangers in attempting to service a product. Products powered by electricity should be serviced or repaired only by experienced professional technicians. Any attempt to service or repair the product or products dealt with in this service information by anyone else could result in serious injury or death.

### IMPORTANT SAFETY NOTICE

There are special components used in this equipment which are important for safety. These parts are marked by ⚠ in the Schematic Diagrams, Circuit Board Diagrams, Exploded Views and Replacement Parts List. It is essential that these critical parts should be replaced with manufacturer's specified parts to prevent shock, fire or other hazards. Do not modify the original design without permission of manufacturer.

## TABLE OF CONTENTS

	PAGE		PAGE
<b>1 Service Navigation</b> .....	<b>2</b>	<b>3 Exploded View and Replacement Parts List</b> .....	<b>4</b>
1.1 Speaker System information .....	2	3.1. Replacement Parts List.....	4
1.2 Front Speakers (SB-HF3010GS) .....	2	3.2. Front Speakers (SB-HF3010GS) and Center Speaker (SB-HC3010GS) and Surround Speakers (SB-HS3010GS) Packaging.....	5
1.3 Center Speaker (SB-HC3010GS).....	2	3.3. Subwoofer Speaker (SB-HW3010GS/SB-HW3010P) Packaging.....	6
1.4 Surround Speakers (SB-HS3010GS).....	2	3.4. Exploded View of All Speakers Packaging.....	7
1.5 Subwoofer Speaker (SB-HW3010GS/SB-HW3010P) .....	2		
<b>2 Specifications</b> .....	<b>3</b>		

# Panasonic®

© Panasonic Corporation 2014. All rights reserved.  
 Unauthorized copying and distribution is a violation of law.

# 1 Service Navigation

## 1.1 Speaker System information

Below is the Speaker System breakdown:

Speaker System	
Front Speakers	SB-HF3010GS
Center Speaker	SB-HC3010GS
Surround Speakers	SB-HS3010GS
Subwoofer	SB-HW3010GS/SB-HW3010P

## 1.2 Front Speakers (SB-HF3010GS)

The illustrations for the speakers will be described in this manual.

- Exploded View
- Replacement Parts List

## 1.3 Center Speaker (SB-HC3010GS)

The illustrations for the speakers will be described in this manual.

- Exploded View
- Replacement Parts List

## 1.4 Surround Speakers (SB-HS3010GS)

The illustrations for the speakers will be described in this manual.

- Exploded View
- Replacement Parts List

## 1.5 Subwoofer Speaker (SB-HW3010GS/SB-HW3010P)

The illustrations for the speakers will be described in this manual.

- Exploded View
- Replacement Parts List

## 2 Specifications

### Front Speakers (SB-HF3010GS)

**Full range:** 6.5 cm Cone type  
**Dimensions (W x H x D):** 81mm x 126mm x 74mm  
**Mass [Weight]:** Approx. 0.43 kg

### Center Speaker (SB-HC3010GS)

**Full range:** 6.5 cm Cone type  
**Dimensions (W x H x D):** 81mm x 126mm x 74mm  
**Mass [Weight]:** Approx. 0.43 kg

### Surround Speakers (SB-HS3010GS)

**Full range:** 6.5 cm Cone type  
**Dimensions (W x H x D):** 81mm x 126mm x 74mm  
**Mass [Weight]:** Approx. 0.43 kg

### Subwoofer Speaker (SB-HW3010GS/SB-HW3010P)

**Woofers:** 16 cm Cone type  
**Dimensions (W x H x D):** 156mm x 290mm x 263mm  
**Mass [Weight]:** Approx. 3.1 kg

### Notes:

1. The impedance of speakers:
  - Front speakers, Centre speaker, Surround speakers: 4 $\Omega$ .
  - Subwoofer: 8 $\Omega$ .
2. Specifications are subject to change without notice.

# 3 Exploded View and Replacement Parts List

## 3.1. Replacement Parts List

**Important Safety Notice**

*Components identified by  $\triangle$  mark have special characteristics important for safety. When replacing any of these components, use only manufacturer's specified parts.*

**RTL (Retention Time Limited)**

**Note:** The marking (RTL) indicates that the Retention Time is Limited for this item. After the discontinuation of this assembly in production, the item will continue to be available for a specific period of time. The retention period of availability is dependant on the type of assembly, and in accordance with the laws governing part and product retention. After the end of this period, the assembly will no longer be available.

**Note:**

- When replacing any of these components, be sure to use only manufacturer's specified parts shown in the replacement part list.
- The parenthesized indications on the Remarks column specify the destination & product color (Refer to the cover page for the information).
- Parts without these indications shall be used for all areas.
- All parts mentioned are supplied by PHK unless indicated likewise.

### 3.1.1. Front Speakers (SB-HF3010GS)

Safety	Ref. No.	Part No.	Part Name & Description	Qty	Remarks
	1	RAP0183A-K	FRONT SPEAKER UNIT (L)	1	Terminal: White
	2	RAP0183B-K	FRONT SPEAKER UNIT (R)	1	Terminal: Red

### 3.1.4. Subwoofer (SB-HW3010GS/SB-HW3010P)

Safety	Ref. No.	Part No.	Part Name & Description	Qty	Remarks
	6	RAP0182-K	SUBWOOFER UNIT	1	(GS)
	6	RAP0182A-K	SUBWOOFER UNIT	1	(P)

### 3.1.2. Center Speaker (SB-HC3010GS)

Safety	Ref. No.	Part No.	Part Name & Description	Qty	Remarks
	3	RAP0183C-K	CENTER SPEAKER UNIT	1	

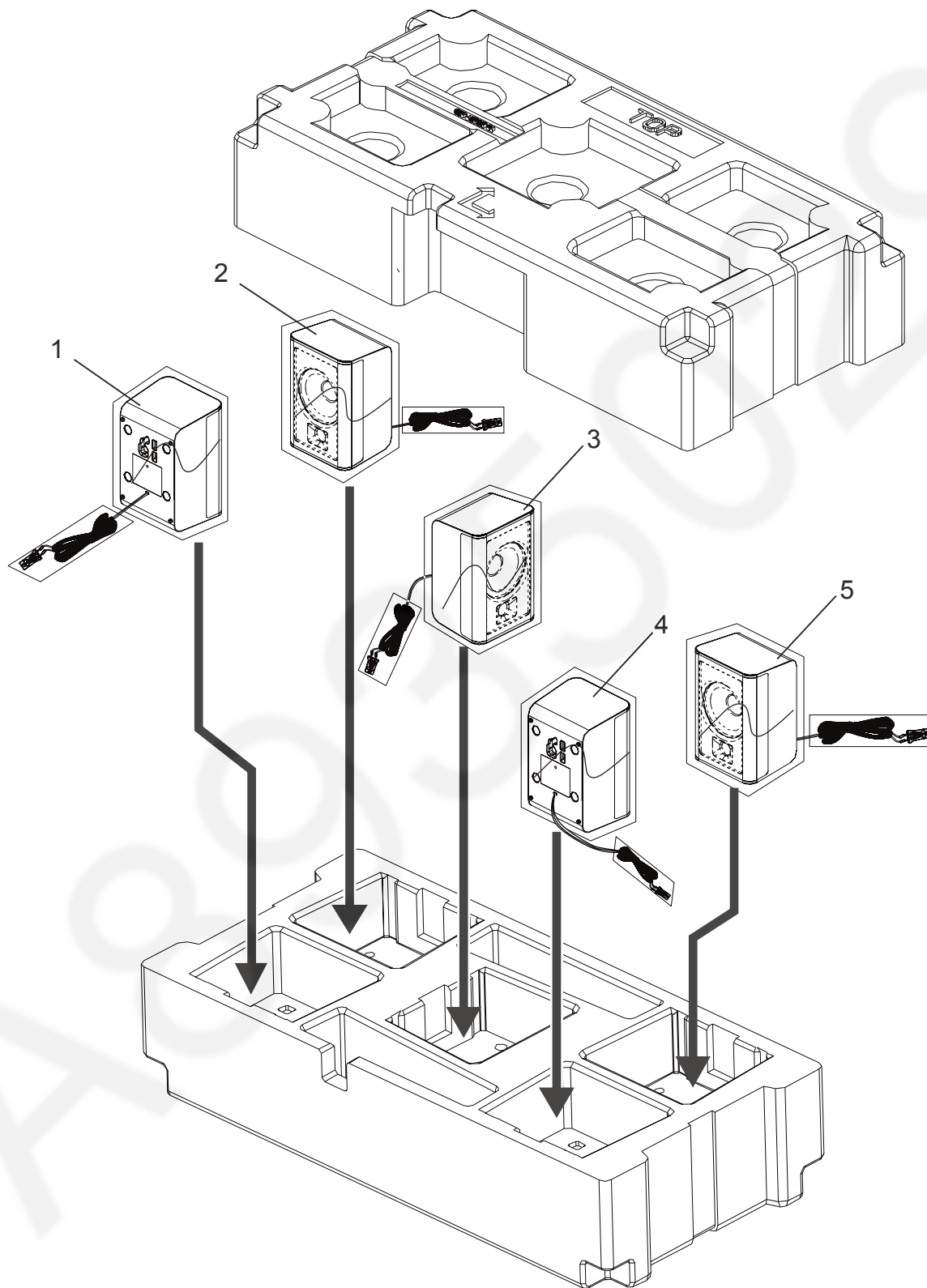
### 3.1.5. Packing Materials

Safety	Ref. No.	Part No.	Part Name & Description	Qty	Remarks
	P1	SVKU000022	POLYFOAM (TOP)	1	SB-HW3010 GS/P
	P2	SVKU000023	POLYFOAM (BOTTOM)	1	SB-HW3010 GS/P
	P3	SVKU000024	SPEAKER BAG	1	SB-HW3010 GS/P
	P4	SVKU000028	POLYFOAM (TOP)	1	SB-HF3010 GS/ HC3010GS/ HS3010GS
	P5	SVKU000029	POLYFOAM (BOTTOM)	1	SB-HF3010 GS/ HC3010GS/ HS3010GS
	P6	SVKU000030	SPEAKER BAG	1	SB-HF3010 GS/ HC3010GS/ HS3010GS

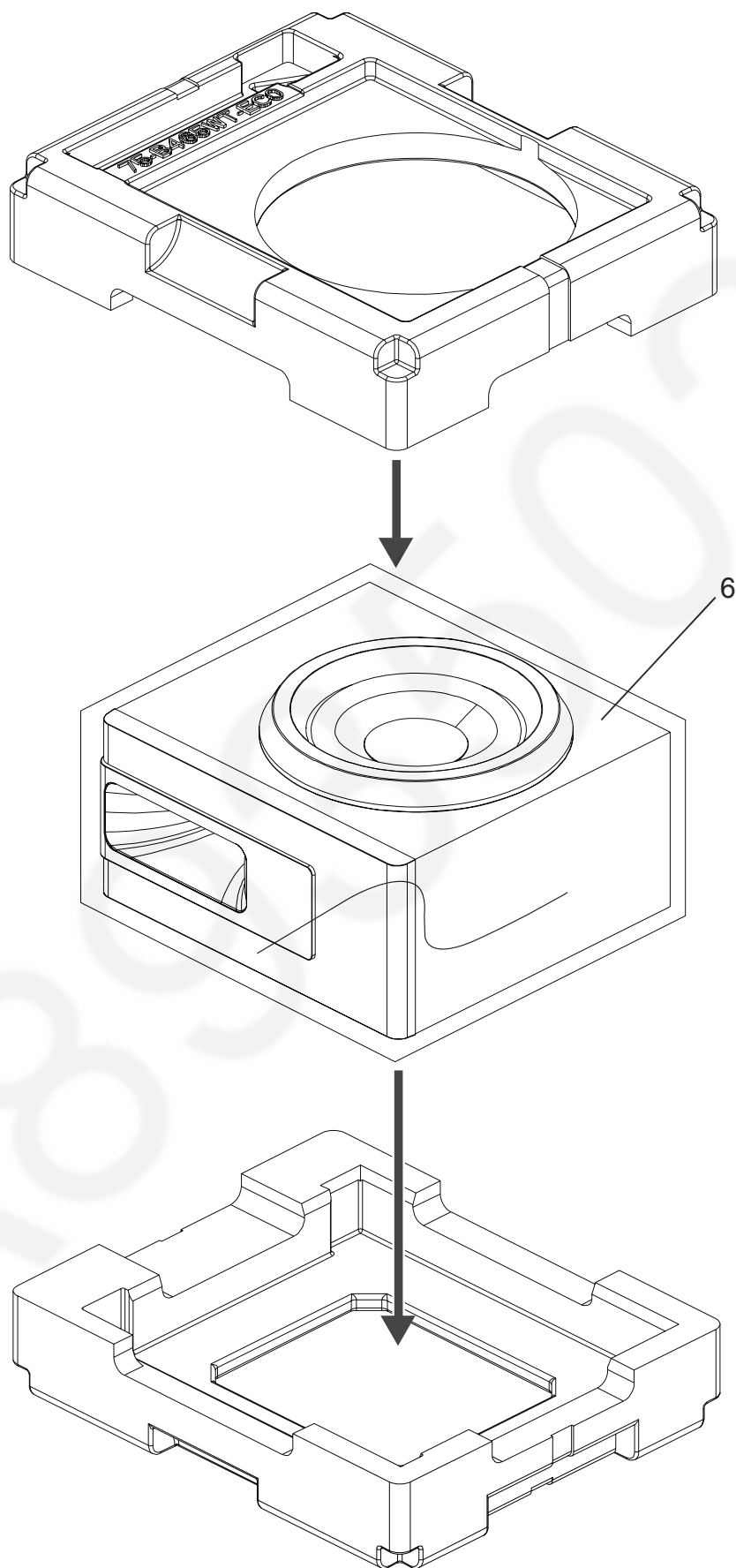
### 3.1.3. Surround Speakers (SB-HS3010GS)

Safety	Ref. No.	Part No.	Part Name & Description	Qty	Remarks
	4	RAP0183D-K	SURROUND SPEAKER UNIT (L)	1	Terminal: Blue
	5	RAP0183E-K	SURROUND SPEAKER UNIT (R)	1	Terminal: Gray

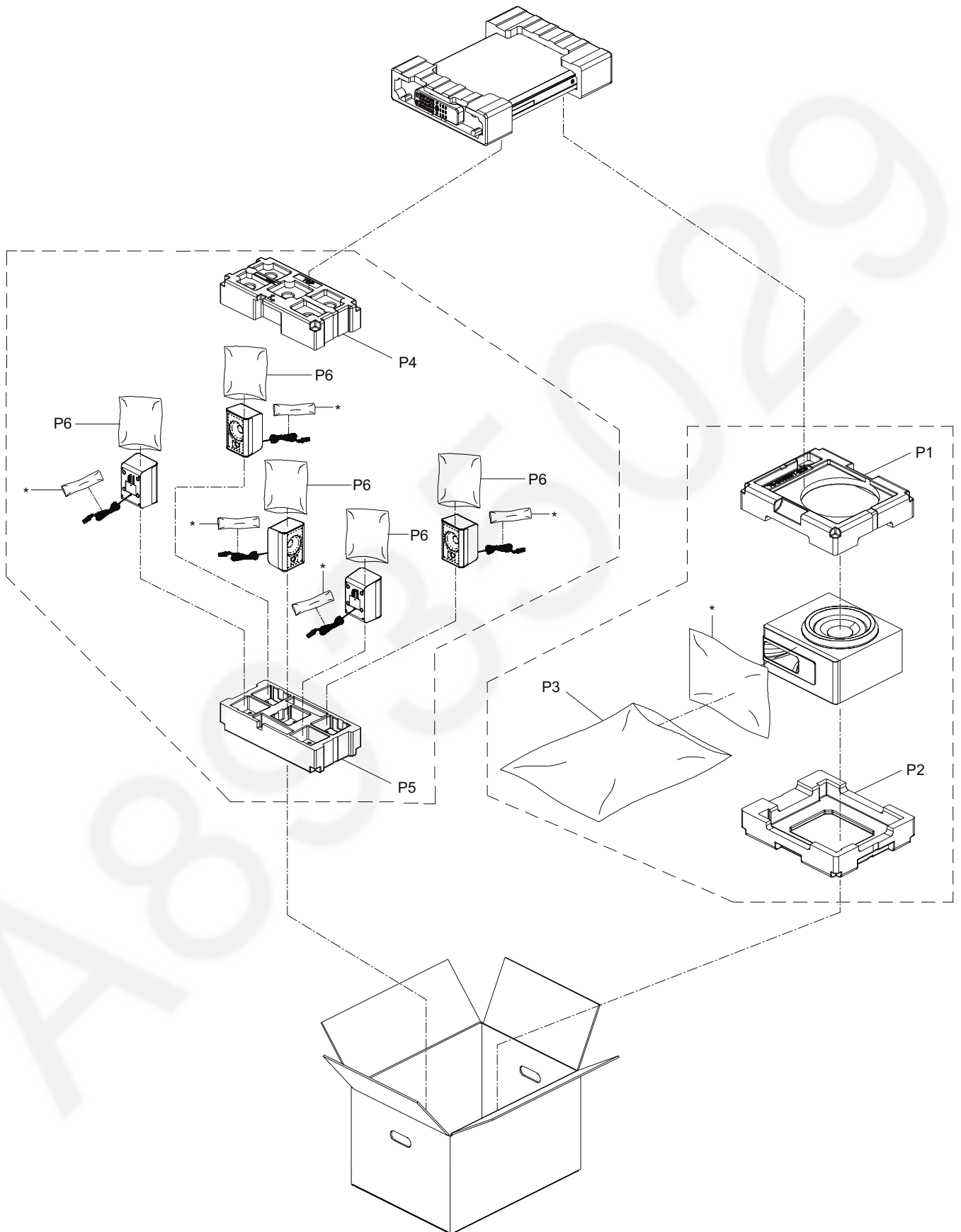
### 3.2. Front Speakers (SB-HF3010GS) and Center Speaker (SB-HC3010GS) and Surround Speakers (SB-HS3010GS) Packaging



### 3.3. Subwoofer Speaker (SB-HW3010GS/SB-HW3010P) Packaging



### 3.4. Exploded View of All Speakers Packaging



Note: "\*" part is not supplied.