

Service Manual

[TOP NEXT](#)

ORDER NO. MD0304116C2

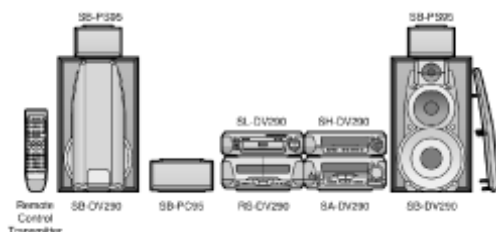
Service Manual

Speaker System

- SB-DV290DE

Colour

(S)... Silver Type



Specification

Type	3 way, 3 speakers, Bassreflex
Speaker(s)	
Super Woofer	17cm cone type
Woofer	12cm cone type
Tweeter	6cm ring shaped dome type
Impedance	High 6Ω, Low 8Ω
Input power (Music)	High 60 W, Low 120 W
Output sound pressure level	87 dB/W (1.0m)
Crossover frequency	120 Hz, 4 kHz
Frequency range	42 Hz - 50 kHz (-16 dB) 46 Hz - 36 kHz (-10 dB)
Dimensions (W x H x D)	240 x 412 x 259 mm
Mass	5.8 kg

SB-DV290DE-S consists of :

SB-DV290E-S x 2, SB-PC95E-SA x 1 and SB-PS95E-SA x 2.

Notes :

Specifications are subject to change without notice.

Mass and dimensions are approximate.

“Low” and “High” stand for low frequency and high frequency.

System : SC-DV290 (EG) Sound processor : SH-DV290(EG)
 Stereo Tuner/Amplifier : SA-DV290(EG)
 DVD/Video CD/CD Changer : SL-DV290(EG)

Stereo Cassette Deck : RS-DV290(E)

Front Speaker : SB-DV290(E)

Center Speaker : SB-PC95(E)

Surround Speaker : SB-PS95(E)

System : SC-DV290 (EB) Sound processor : SH-DV290(EG)

Stereo Tuner/Amplifier : SA-DV290(EB)

DVD/Video CD/CD Changer : SL-DV290(EG)

Stereo Cassette Deck : RS-DV290(EG)

Front Speaker : SB-DV290(E)

Center Speaker : SB-PC95(E)

Surround Speaker : SB-PS95(E)

System : SC-DV290 (E) Sound processor : SH-DV290(EG)

Stereo Tuner/Amplifier : SA-DV290(E)

DVD/Video CD/CD Changer : SL-DV290(EG)

Stereo Cassette Deck : RS-DV290(EG)

Front Speaker : SB-DV290(E)

Center Speaker : SB-PC95(E)

Surround Speaker : SB-PS95(E)

System : SC-DV290 (EE) Sound processor : SH-DV290(EG)

Stereo Tuner/Amplifier : SA-DV290(EE)

DVD/Video CD/CD Changer : SL-DV290(EE)

Stereo Cassette Deck : RS-DV290(EG)

Front Speaker : SB-DV290(E)

Center Speaker : SB-PC95(E)

Surround Speaker : SB-PS95(E)

System : SC-DV290 (GN) Sound processor : SH-DV290(GN)

Stereo Tuner/Amplifier : SA-DV290(GN)

DVD/Video CD/CD Changer : SL-DV290(GN)

Stereo Cassette Deck : RS-DV290(EG)

Front Speaker : SB-DV290(E)

Center Speaker : SB-PC95(E)

Surround Speaker : SB-PS95(E)

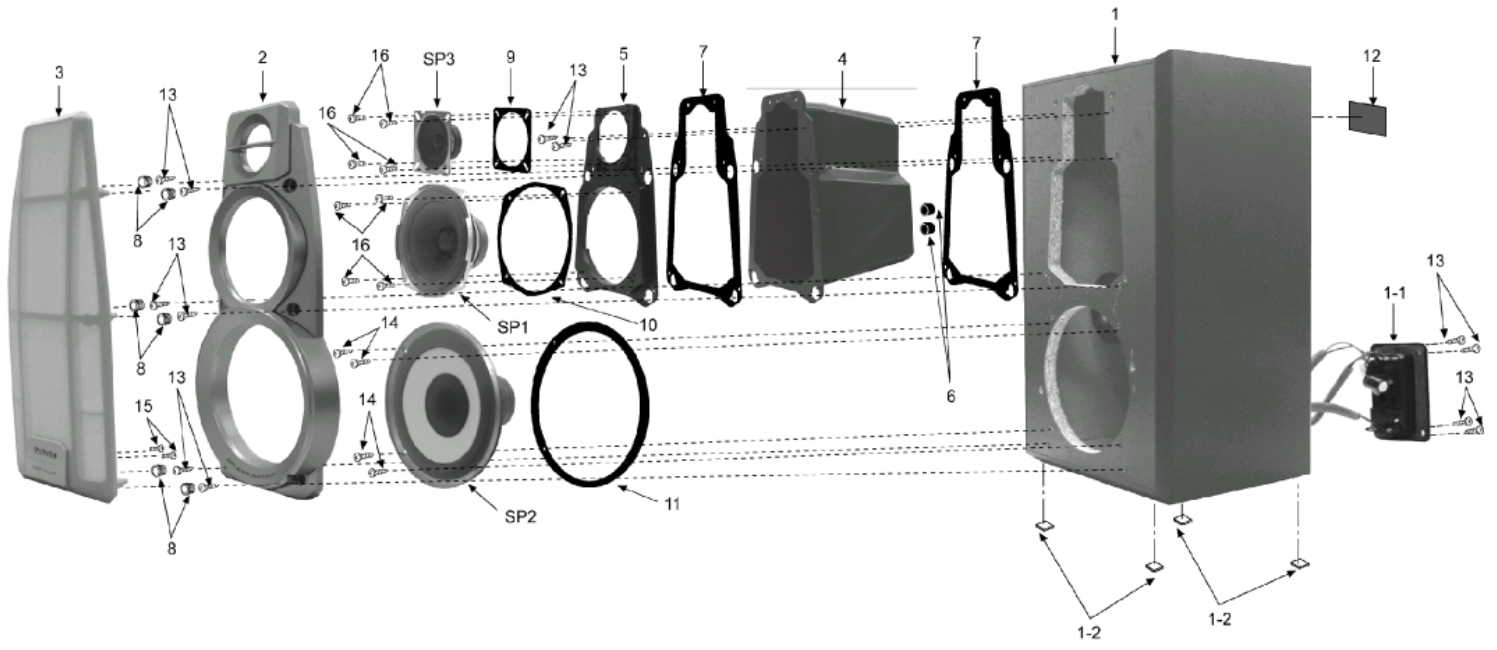
© 2003 PANASONIC AVC Networks Singapore Pte Ltd. All rights reserved. Unauthorized copying and distribution is a violation of law.

 **WARNING**

This service information is designed for experienced repair technicians only and is not designed for use by the general public. It does not contain warnings or cautions to advise non-technical individuals of potential dangers in attempting to service a product. Products powered by electricity should be serviced or repaired only by experienced professional technicians. Any attempt to service or repair the product or products dealt with in this service information by anyone else could result in serious injury or death.

Technics

[TOP NEXT](#)



4 Replacement Parts List

[TOP](#) [PREVIOUS](#) [NEXT](#)

Notes :

- Important safety notice :

When replacing any of these components, be sure to use only manufacturer's specified parts shown in the parts list.

- [M] indicates in the Remarks columns indicates parts supplied by [PAVCSG](#) .

Ref. No.	Part No.	Part Name & Description	Remarks
		CABINET AND CHASSIS	
1	RFKHBEH590ES	SPK. CABINET ASS'Y	[M]
1-1	REJ0154	TERMINAL UNIT	[M]
1-2	RKA0072-KJ	LEG RUBBER	[M]
2	RGP0860E-SJ	FRONT PANEL	[M]
3	RYB0266K-J	NET FRAME ASS'Y	[M]
4	RMR1282A-K1	BACK CAVITY	[M]
5	RMR1283-K1	CAVITY COVER	[M]
6	RGQ0230-K	CORD BUSH	[M]
7	RMQ0944	E. PACKING(B/CAVITY)	[M]
8	RMG0513-K	CATCH (RUBBER)	[M]
9	RMQ0621	E.PACKING (TWEETER)	[M]
10	RMQ0622	E.PACKING (WOOFER)	[M]
11	RMQ0783	E.PACKING (S. WOOFER)	[M]
12	RGN2440-K	BACK LABEL	[M]
13	XTB4+20AFZ	SCREW (FRONT PANEL)	[M]
14	XTN4+20AFZ	SCREW (S. WOOFER)	[M]
15	XTB3+10GFZ	SCREW (NET ORNAMENT)	[M]
16	XTB4+8G	SCREW	[M]
		CAPACITORS	
C1	ECEA1HAY2R2	2.2uf 50V	[M]
		PACKING MATERIALS	
P1	RPG6448	CARTON BOX	[M]
P2	RPN1423	POLYFOAM (SET)	[M]
P3	RPF0247	MIRAMAT	[M]
		SPEAKER	

SP1	EAST12P27A6	WOOFER	[M]
SP2	EAST17PL07D6	SUPER WOOFER	[M]
SP3	EAST6PH06E6	TWEETER	[M]

[4.1 Packaging](#)

[TOP](#) [PREVIOUS](#) [NEXT](#)