

Service Manual

Speaker System

Model No. **SB-AKX38PN**

Product Color : (K)... Black Type



SB-AKX38

⚠ WARNING

This service information is designed for experienced repair technicians only and is not designed for use by the general public. It does not contain warnings or cautions to advise non-technical individuals of potential dangers in attempting to service a product. Products powered by electricity should be serviced or repaired only by experienced professional technicians. Any attempt to service or repair the product or products dealt with in this service information by anyone else could result in serious injury or death.

IMPORTANT SAFETY NOTICE

There are special components used in this equipment which are important for safety. These parts are marked by ⚠ in the Schematic Diagrams, Circuit Board Diagrams, Exploded Views and Replacement Parts List. It is essential that these critical parts should be replaced with manufacturer's specified parts to prevent shock, fire or other hazards. Do not modify the original design without permission of manufacturer.

TABLE OF CONTENTS

	PAGE	PAGE
1 Specifications	2	
2 Wiring Connection Diagram	3	
3 Exploded View and Replacement Parts List	5	
3.1. Cabinet Parts Location	5	
3.2. Packaging	6	
3.3. Replacement Parts List	7	

1 Specifications

Speaker unit(s)

Woofer 20 cm Cone type x 1

Tweeter 6 cm Cone type x 1

Impedance 3Ω

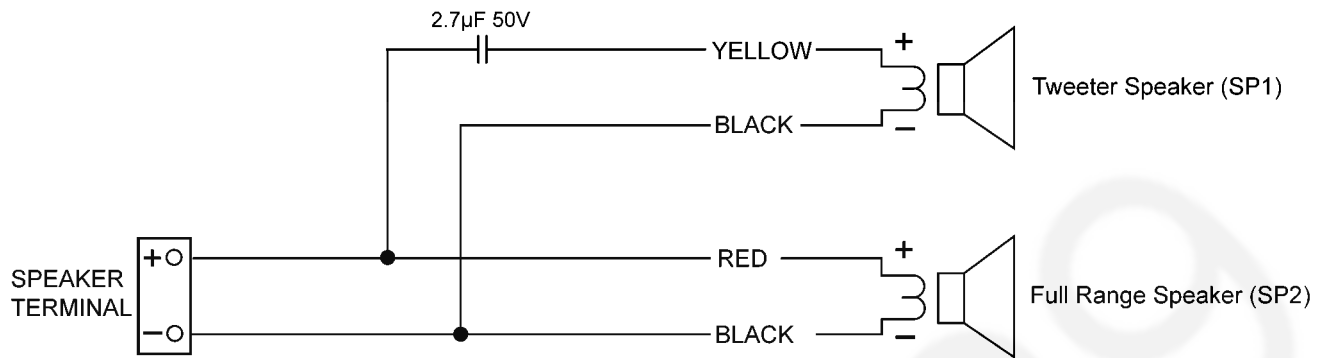
Dimensions (W x H x D) 250 mm x 429 mm x 226 mm

Mass 4 kg

Notes:

1. Specifications are subject to change without notice.
2. Mass and dimensions are approximate.
3. Total harmonic distortion is measured by the digital spectrum analyzer.

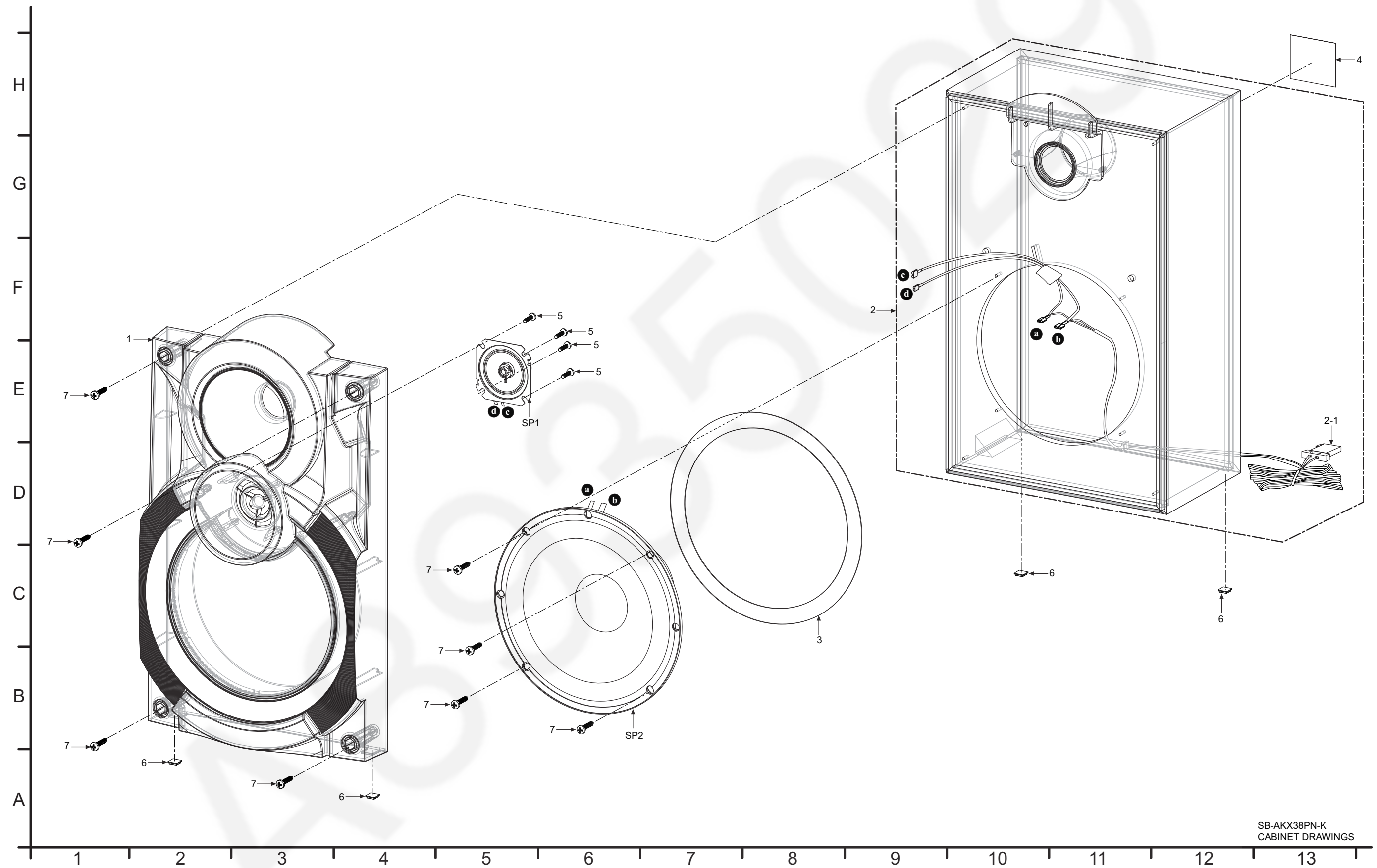
2 Wiring Connection Diagram



A8935029

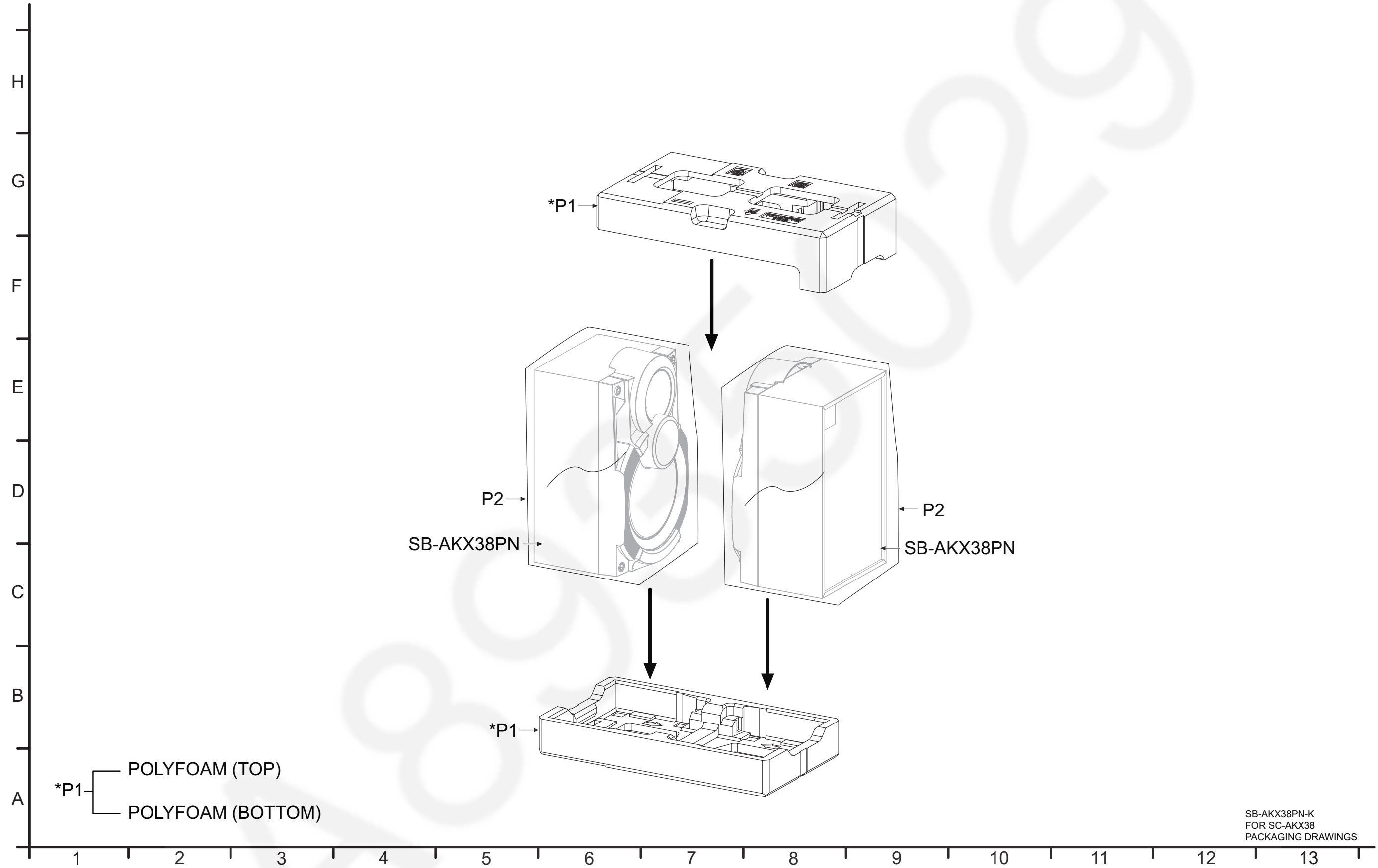
3 Exploded View and Replacement Parts List

3.1. Cabinet Parts Location



SB-AKX38PN-K
CABINET DRAWINGS


3.2. Packaging



SB-AKX38PN-K
FOR SC-AKX38
PACKAGING DRAWINGS

3.3. Replacement Parts List

Important Safety Notice

Components identified by  mark have special characteristics important for safety. When replacing any of these components, use only manufacturer's specified parts.

RTL (Retention Time Limited)

Note: The marking (RTL) indicates that the Retention Time is Limited for this item. After the discontinuation of this assembly in production, the item will continue to be available for a specific period of time. The retention period of availability is dependant on the type of assembly, and in accordance with the laws governing part and product retention. After the end of this period, the assembly will no longer be available.

Note:

- When replacing any of these components, be sure to use only manufacturer's specified parts shown in the replacement part list.
- The parenthesized indications on the Remarks column specify the destination & product color (Refer to the cover page for the information).
- Parts without these indications shall be used for all areas.
- All parts mentioned are supplied by PAVCJM unless indicated likewise.

3.3.1. Front Speakers

Safety	Ref. No.	Part No.	Part Name & Description	Qty	Remarks
			CABINET AND CHASSIS		
	1	RYP1736-K	FRONT PANEL ASS'Y	1	
	2	RFKHBAX34PN	SPEAKER BOX ASS'Y	1	
	2-1	RFKVBPT760-W	SPEAKER CONNECTOR HOUSING (WHITE)	1	
	3	RMQX0285-K	EVA PACKING	1	
	4	RGN3432-K	SPEC LABEL	1	
	5	RHD30092-1	SCREW	4	
	6	RKA0072-KJ	LEG CUSHION	4	
	7	XTB4+16AFJK	SCREW	8	
			SPEAKERS		
	SP1	L0AA06A00065	TWEETER SPEAKER	1	
	SP2	L0AA20A00033	FULL RANGE SPEAKER	1	

3.3.2. Packing Materials

Safety	Ref. No.	Part No.	Part Name & Description	Qty	Remarks
			PACKING MATERIALS		
	P1	RPN2490-1	POLYFOAM	1	
	P2	RPF0569-1	MIRAMAT BAG	2	

IPSG1402