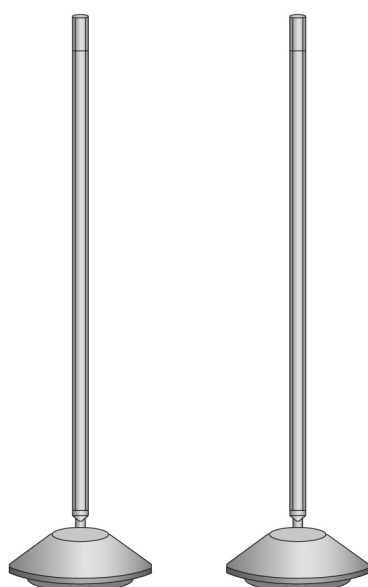
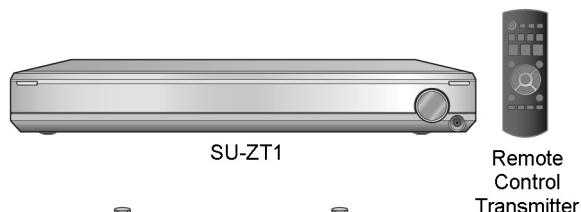


Service Manual

Home Theater Audio System

Model No. **SC-ZT1GN**
SC-ZT1GS
SU-ZT1GN
SU-ZT1GS
SB-ZT1GN
SB-ZT1GS

HDMI™ **VIERA**
 HIGH-DEFINITION MULTIMEDIA INTERFACE Link



Product Color: (S)...Silver Type
 (K)...Black Type (SU-ZT1)
 (S1)...Silver Type (SB-ZT1)

⚠ WARNING

This service information is designed for experienced repair technicians only and is not designed for use by the general public. It does not contain warnings or cautions to advise non-technical individuals of potential dangers in attempting to service a product. Products powered by electricity should be serviced or repaired only by experienced professional technicians. Any attempt to service or repair the product or products dealt with in this service information by anyone else could result in serious injury or death.

IMPORTANT SAFETY NOTICE

There are special components used in this equipment which are important for safety. These parts are marked by ⚠ in the Schematic Diagrams, Circuit Board Diagrams, Exploded Views and Replacement Parts List. It is essential that these critical parts should be replaced with manufacturer's specified parts to prevent shock, fire or other hazards. Do not modify the original design without permission of manufacturer.

TABLE OF CONTENTS

	PAGE		PAGE
1 Safety Precautions-----	3	1.1. General Guidelines -----	3



© Panasonic Corporation 2009. All rights reserved. Unauthorized copying and distribution is a violation of law.

1.2. Caution for AC Mains Lead-----	4	19.2. Speaker Unit (SB-ZT1)-----	166
1.3. Before Repair and Adjustment-----	5	20 Terminal Function of IC's -----	169
1.4. Caution for Fuse Replacement-----	5	20.1. IC8001 (RFKWMUZT1PP) MICRO	
1.5. Protection Circuitry-----	5	PROCESSOR -----	169
1.6. Safety Part Information-----	5	21 Exploded View and Replacement Parts List-----	170
2 Warning -----	7	21.1. Exploded View and Mechanical Replacement	
2.1. Prevention of Electro Static Discharge (ESD)		Parts List-----	170
to Electrostatically Sensitive (ES) Devices -----	7	21.2. Electrical Replacement Parts List -----	175
2.2. Service caution based on Legal restrictions-----	8		
3 Service Navigation-----	9		
3.1. Service Information-----	9		
4 Specifications -----	10		
4.1. Main Unit (SU-ZT1)-----	10		
4.2. Speaker Unit (SB-ZT1)-----	10		
5 Location of Controls and Components-----	11		
5.1. Main Unit (SU-ZT1)-----	11		
5.2. Speaker Unit (SB-ZT1)-----	12		
5.3. Remote Control-----	12		
6 Installation-----	13		
6.1. Basic Connections-----	14		
6.2. AC mains lead connection-----	17		
7 Speaker setting (SB-ZT1)-----	18		
7.1. Setting the speakers-----	18		
7.2. Initialize the Speaker Setting-----	20		
8 Self diagnosis and special mode setting -----	21		
8.1. Activating Service Mode-----	21		
8.2. Activating Doctor Mode-----	21		
8.3. Error Codes Display List-----	21		
8.4. Inspection Mode-----	22		
8.5. Returning to Normal Display-----	23		
9 Troubleshooting-----	24		
9.1. HDMI Checking Method-----	24		
9.2. Troubleshooting Flow Chart-----	26		
10 Disassembly and Assembly Instructions-----	30		
10.1. Caution-----	30		
10.2. Main Parts Location Diagram-----	32		
10.3. Disassembly flow chart-----	34		
10.4. Main Unit (SU-ZT1)-----	36		
10.5. Speaker Unit (SB-ZT1)-----	47		
11 Service Position-----	105		
11.1. Main Unit (SU-ZT1)-----	105		
11.2. Speaker Unit (SB-ZT1)-----	107		
12 Voltage Measurement & Waveform Chart-----	114		
12.1. Main Unit (SU-ZT1)-----	114		
12.2. Speaker Unit (SB-ZT1)-----	123		
12.3. Waveform Chart-----	125		
13 Illustration of IC's, Transistors and Diodes -----	128		
14 Overall Simplified Block-----	129		
14.1. Signal Flow (SU-ZT1)-----	129		
15 Block Diagram-----	130		
15.1. Main Unit (SU-ZT1)-----	130		
15.2. Speaker Unit (SB-ZT1)-----	137		
16 Wiring Connection Diagram-----	140		
16.1. Main Unit (SU-ZT1)-----	140		
16.2. Speaker Unit (SB-ZT1)-----	141		
17 Schematic Diagram Notes-----	142		
18 Schematic Diagram-----	143		
18.1. Main Unit (SU-ZT1)-----	143		
18.2. Speaker Unit (SB-ZT1)-----	157		
19 Printed Circuit Board-----	162		
19.1. Main Unit (SU-ZT1)-----	162		

1 Safety Precautions

1.1. General Guidelines

1. When servicing, observe the original lead dress. If a short circuit is found, replace all parts which have been overheated or damaged by the short circuit.
2. After servicing, see to it that all the protective devices such as insulation barriers, insulation papers shields are properly installed.
3. After servicing, carry out the following for leakage current checks to prevent the customer from being exposed to shock hazards.

1.1.1. Leakage Current Cold Check

1. Unplug the AC cord and connect a jumper between the two prongs on the plug.
2. Using an ohmmeter measure the resistance value, between the jumpered AC plug and each exposed metallic cabinet part on the equipment such as screwheads, connectors, control shafts, etc. When the exposed metallic part has a return path to the chassis, the reading should be between 1MW and 5.2MW. When the exposed metal does not have a return path to the chassis, the reading must be ∞ .

1.1.2. Leakage Current Hot Check

1. Plug the AC cord directly into the AC outlet. Do not use an isolation transformer for this check.
2. Connect a 1.5kW, 10 watts resistor, in parallel with a 0.15mF capacitors, between each exposed metallic part on the set and a good earth ground such as a water pipe, as shown in Figure 1.
3. Use an AC voltmeter, with 1000 ohms/volt or more sensitivity, to measure the potential across the resistor.
4. Check each exposed metallic part, and measure the voltage at each point.
5. Reverse the AC plug in the AC outlet and repeat each of the above measurements.
6. The potential at any point should not exceed 0.75 volts RMS. A leakage current tester (Simpson Model 229 or equivalent) may be used to make the hot checks, leakage current must not exceed 1/2 milliamp. should the measurement is outside of the limits specified, there is a possibility of a shock hazard, and the equipment should be repaired and re-checked before it is returned to the customer.

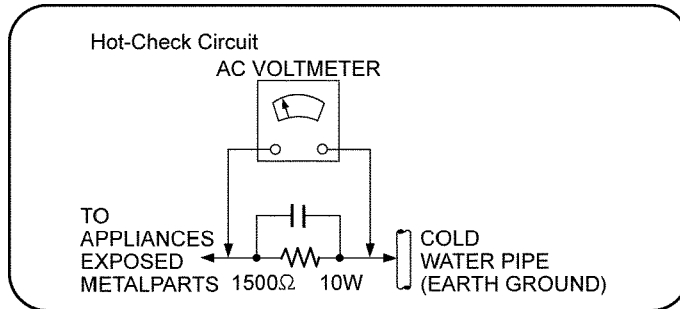


Fig. 1

1.2. Caution for AC Mains Lead



(For “GS” area code only)

For your safety, please read the following text carefully.

This appliance is supplied with a moulded three pin mains plug for your safety and convenience.

A 5-ampere fuse is fitted in this plug.

Should the fuse need to be replaced please ensure that the replacement fuse has a rating of 5-ampere and that it is approved by ASTA or BSI to BS1362.

Check for the ASTA mark  or the BSI mark  on the body of the fuse.

If the plug contains a removable fuse cover you must ensure that it is refitted when the fuse is replaced.

If you lose the fuse cover the plug must not be used until a replacement cover is obtained.

A replacement fuse cover can be purchased from your local dealer.

CAUTION!

IF THE FITTED MOULDED PLUG IS UNSUITABLE FOR THE SOCKET OUTLET IN YOUR HOME THEN THE FUSE SHOULD BE REMOVED AND THE PLUG CUT OFF AND DISPOSED OF SAFELY.

THERE IS A DANGER OF SEVERE ELECTRICAL SHOCK IF THE CUT OFF PLUG IS INSERTED INTO ANY 13-AMPERE SOCKET.

If a new plug is to be fitted please observe the wiring code as stated below.

If in any doubt please consult a qualified electrician.

IMPORTANT


The wires in this mains lead are coloured in accordance with the following code:

Blue: Neutral, Brown: Live.

As these colours may not correspond with the coloured markings identifying the terminals in your plug, proceed as follows:

The wire which is coloured Blue must be connected to the terminal which is marked with the letter N or coloured Black or Blue.

The wire which is coloured Brown must be connected to the terminal which is marked with the letter L or coloured Brown or Red.

WARNING: DO NOT CONNECT EITHER WIRE TO THE EARTH TERMINAL WHICH IS MARKED WITH THE LETTER E, BY THE EARTH SYMBOL  OR COLOURED GREEN OR GREEN/YELLOW.

THIS PLUG IS NOT WATERPROOF—KEEP DRY.

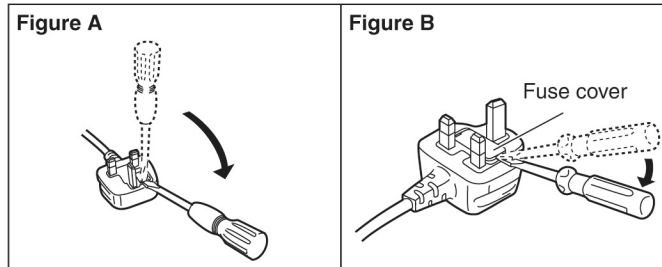
Before use

Remove the connector cover.

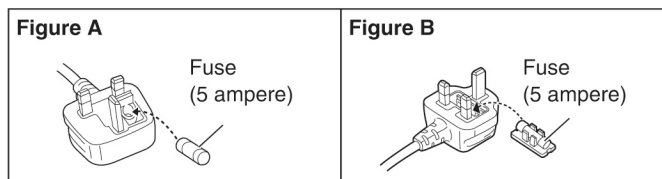
How to replace the fuse

The location of the fuse differ according to the type of AC mains plug (figures A and B). Confirm the AC mains plug fitted and follow the instructions below. Illustrations may differ from actual AC mains plug.

1. Open the fuse cover with a screwdriver.



2. Replace the fuse and close or attach the fuse cover.



1.3. Before Repair and Adjustment

Disconnect AC power, discharge Power Supply Capacitors for :

Main Unit (SU-ZT1)

(C5501, C5502, C5509) through a 10Ω, 1W resistor to ground.

DO NOT SHORT-CIRCUIT DIRECTLY (with a screwdriver blade, for instance), as this may destroy solid state devices.

After repairs are completed, restore power gradually using a variac, to avoid overcurrent.

- Current consumption at AC 220-240 V, 50 Hz in NO SIGNAL mode should be 200~800 mA (GN).
- Current consumption at AC 110-240 V, 50/60 Hz in NO SIGNAL mode should be 200~800 mA (GS).

Speaker Unit (SB-ZT1)

(C5700, C5701, C5703, C5704) through a 10Ω, 1W resistor to ground.

DO NOT SHORT-CIRCUIT DIRECTLY (with a screwdriver blade, for instance), as this may destroy solid state devices.

After repairs are completed, restore power gradually using a variac, to avoid overcurrent.

- Current consumption at AC 220-240 V, 50 Hz in NO SIGNAL mode should be 100~800 mA (GN).
- Current consumption at AC 110-240 V, 50/60 Hz in NO SIGNAL mode should be 100~800 mA (GS).

1.4. Caution for Fuse Replacement

Main Unit:

(SU-ZT1GN)

CAUTION:

Replace with the same type fuse:
(Manufacturer: Hollyland, Type: 50T, F701, T2AL 250V)

(SU-ZT1GS)

CAUTION:

Replace with the same type fuse:
(Manufacturer: Hollyland, Type: 51MS, F701, T2AL 250V)

Speaker Unit (SB-ZT1)

CAUTION:

Replace with the same type fuse:
(Manufacturer: Littelfuse Inc., Type: 215, F1, T2AH 250V)

1.5. Protection Circuitry

The protection circuitry may have operated if either of the following conditions are noticed:

- No sound is heard when the power is turned on.
- Sound stops during a performance.

The function of this circuitry is to prevent circuitry damage if, for example, the positive and negative speaker connection wires are "shorted", or if speaker systems with an impedance less than the indicated rated impedance of the amplifier are used.

If this occurs, follow the procedure outlines below:

1. Turn off the power.
2. Determine the cause of the problem and correct it.
3. Turn on the power once again after one minute.

Note:

When the protection circuitry functions, the unit will not operate unless the power is first turned off and then on again.

1.6. Safety Part Information

Safety Parts List:

There are special components used in this equipment which are important for safety.

These parts are marked by \triangle in the Schematic Diagrams, Exploded View & Replacement Parts List. It is essential that these critical parts should be replaced with manufacturer's specified parts to prevent shock, fire or other hazards. Do not modify the original design without permission of manufacturer.

1.6.1. Main Unit (SU-ZT1)

Safety	Ref. No.	Part No.	Part Name & Description	Remarks
△	11	RGR0393A-D	REAR PANEL	GS
△	11	RGR0393A-E	REAR PANEL	GN
△	30	RKM0613-K	TOP CABINET	
△	A2	K2CJ2DA00010	AC CORD	GN
△	A2	K2CP2CA00001	AC CORD	GS
△	A2	K2CQ2CA00007	AC CORD	GS
△	A2	K2CZ3YY00005	AC CORD	GS
△	A3	RQT9462-E	O/I BOOK (En)	
△	A9	K2DAYYY00002	AC PLUG ADAPTER	GS
△	PCB1	RD-DWKX006JM	TX MODULE P.C.B	(RTL)
△	DZ5501	ERZV10V511CS	ZNR	
△	T5501	ETS25AD1V6AG	MAIN TRANSFORMER	
△	T5551	G4D1A0000117	SWITCHING TRANSFORMER	
△	PC5501	B3PBA0000402	PHOTO COUPLER	
△	F701	K5D202BK0005	FUSE	
△	IP5501	K5H7512A0010	PROTECTOR	
△	P5501	K2AA2B000011	AC INLET	
△	C5501	ECQU2A104MLC	0.1uF	
△	C5502	ECQU2A104MLC	0.1uF	
△	C5509	F1BAF1020020	1000pF	

1.6.2. Speaker Unit (SB-ZT1)

Safety	Ref. No.	Part No.	Part Name & Description	Remarks
△	100	REX1346-1	BLACK WIRE (SMPS-AC)	
△	101	REX1356-1	RED WIRE (SMPS-AC)	
△	113	RGN2979C-K	SPEC SHEET	GS
△	113	RGN2979D-K	SPEC SHEET	GN
△	114	RGN2980C-K	CAUTION LABEL	GS
△	114	RGN2980D-K	CAUTION LABEL	GN
△	PCB1	REP4527D-P	SMPS P.C.B	(RTL)
△	PCB2	RD-DWKX009JM	RX MODULE P.C.B	(RTL)
△	PCB6	REP4527D-P	AC INLET P.C.B	(RTL)
△	DZ5701	ERZV10V511CS	ZNR	
△	L5702	ELF19H010A	LINE FILTER	
△	T5701	ETS28BH166AC	MAIN TRANSFORMER	
△	T5751	ETS19AB2C6AG	SUB TRANSFORMER	
△	PC5701	B3PBA0000402	PHOTO COUPLER	
△	PC5720	B3PBA0000402	PHOTO COUPLER	
△	PC5799	B3QAZ0000062	PHOTO COUPLER	
△	F1	K5D202BNA005	FUSE	
△	TH5702	D4CAA5R10001	THERMISTOR	
△	P5701	K2AA2B000011	AC INLET	
△	C5700	F1BAF2220023	2200pF	
△	C5701	ECQU2A104MLC	0.1uF	
△	C5703	ECQU2A224MLC	0.22uF	
△	C5704	F1BAF1020020	1000pF	

2 Warning

2.1. Prevention of Electro Static Discharge (ESD) to Electrostatically Sensitive (ES) Devices

Some semiconductor (solid state) devices can be damaged easily by static electricity. Such components commonly are called Electrostatically Sensitive (ES) Devices. Examples of typical ES devices are integrated circuits and some field-effect transistors and semiconductor “chip” components. The following techniques should be used to help reduce the incidence of component damage caused by electrostatic discharge (ESD).

1. Immediately before handling any semiconductor component or semiconductor-equipped assembly, drain off any ESD on your body by touching a known earth ground. Alternatively, obtain and wear a commercially available discharging ESD wrist strap, which should be removed for potential shock reasons prior to applying power to the unit under test.
2. After removing an electrical assembly equipped with ES devices, place the assembly on a conductive surface such as aluminium foil, to prevent electrostatic charge build up or exposure of the assembly.
3. Use only a grounded-tip soldering iron to solder or unsolder ES devices.
4. Use only an anti-static solder remover device. Some solder removal devices not classified as “anti-static (ESD protected)” can generate electrical charge sufficient to damage ES devices.
5. Do not use freon-propelled chemicals. These can generate electrical charges sufficient to damage ES devices.
6. Do not remove a replacement ES device from its protective package until immediately before you are ready to install it. (Most replacement ES devices are packaged with leads electrically shorted together by conductive foam, aluminium foil or comparable conductive material).
7. Immediately before removing the protective material from the leads of a replacement ES device, touch the protective material to the chassis or circuit assembly into which the device will be installed.

Caution:

Be sure no power is applied to the chassis or circuit, and observe all other safety precautions.

8. Minimize bodily motions when handling unpackaged replacement ES devices. (Otherwise harmless motion such as the brushing together of your clothes fabric or the lifting of your foot from a carpeted floor can generate static electricity (ESD) sufficient to damage an ES device).

2.2. Service caution based on Legal restrictions

2.2.1. General description about Lead Free Solder (PbF)

The lead free solder has been used in the mounting process of all electrical components on the printed circuit boards used for this equipment in considering the globally environmental conservation.

The normal solder is the alloy of tin (Sn) and lead (Pb). On the other hand, the lead free solder is the alloy mainly consists of tin (Sn), silver (Ag) and Copper (Cu), and the melting point of the lead free solder is higher approx.30 degrees C (86°F) more than that of the normal solder.

Definition of PCB Lead Free Solder being used

The letter of "PbF" is printed either foil side or components side on the PCB using the lead free solder. (See right figure)	PbF
---	------------

Service caution for repair work using Lead Free Solder (PbF)

- The lead free solder has to be used when repairing the equipment for which the lead free solder is used.
(Definition: The letter of "PbF" is printed on the PCB using the lead free solder.)
- To put lead free solder, it should be well molten and mixed with the original lead free solder.
- Remove the remaining lead free solder on the PCB cleanly for soldering of the new IC.
- Since the melting point of the lead free solder is higher than that of the normal lead solder, it takes the longer time to melt the lead free solder.
- Use the soldering iron (more than 70W) equipped with the temperature control after setting the temperature at 350±30 degrees C (662±86°F).

Recommended Lead Free Solder (Service Parts Route.)

- The following 3 types of lead free solder are available through the service parts route.
RFKZ03D01K----- (0.3mm 100g Reel)
RFKZ06D01K----- (0.6mm 100g Reel)
RFKZ10D01K----- (1.0mm 100g Reel)

Note

* Ingredient: Tin (Sn), 96.5%, Silver (Ag) 3.0%, Copper (Cu) 0.5%, Cobalt (Co) / Germanium (Ge) 0.1 to 0.3%

3 Service Navigation

3.1. Service Information

This service manual contains technical information which will allow service personnel's to understand and service this model. Please place orders using the parts list and not the drawing reference numbers.

If the circuit is changed or modified, this information will be followed by supplement service manual to be filled with original service manual.

- **Printed Circuit Boards:**

This model supports to wireless speakers (SB-ZT1)

The TX Module P.C.B. and RX Module P.C.B. used for wireless signal transmission are supplied as an assembled module.

- TX Module P.C.B. (Part No.: RD-DWKX006JM)
- RX Module P.C.B. (Part No.: RD-DWKX009JM)

Note: Retention time limit applies.

- **Micro-processor IC**

This model uses BGA IC (IC6001). Please confirm function and operation before replacement to new IC.
Part No. for IC6001 (RFKB4528A-M)

4 Specifications

4.1. Main Unit (SU-ZT1)

■ PRE AMPLIFIER SECTION

Input sensitivity / Input Impedance	
TV, AUX3	600 mV / 47 kΩ
S/N ratio (IHF A)	
BD/DVD, TV, AUX1, AUX2 (Digital Input)	80 dB (IHF '66)
Tone controls	
BASS	50 Hz, +6 to -6 dB
TREBLE	20 kHz, +6 to -6 dB
Input / Output terminal	

Audio Input	
Analogue Input (TV, AUX3)	2
Optical Digital Input (TV, AUX2)	2
Audio Output	
Audio Output (Front L/R, Surround L/R)	4
Subwoofer Output	1
Headphone Output (16 to 64 Ω)	1
Video/Audio	
HDMI Input (BD/DVD, AUX1)	2
HDMI Output (TV)	1

This system supports "HDAVI Control 4" function.

■ MAIN UNIT GENERAL

Power supply	AC 220 to 240 V, 50 Hz (GN) AC 110 to 240 V, 50/60 Hz (GS)
Power consumption	16 W
In standby condition	0.5 W
In standby condition (HDMI off mode)	0.2 W
Dimensions (WxHxD)	430mm x 59mm x 262mm
Mass	Approx. 2 kg
Operating temperature range	0°C to 40°C
Operating humidity range	20% to 80% RH (no condensation)

■ WIRELESS SECTION

Frequency of the using band	2.4000 GHz to 2.4835 GHz
Number of using channels	3
The reaching distance	15m*1

*1 It is under the condition as follows.

At same room indoor, there is not an obstacle between the main unit and the speaker.

And installing a main unit in the position with equal to or more than 50 cm height.

4.2. Speaker Unit (SB-ZT1)

■ POWER AMPLIFIER SECTION*2

RMS output power (at AC 220 to 240 V)	
10% total harmonic distortion	
Woofer Speaker ch	60 W (100 Hz, 3 Ω)
Mid High Speaker ch	20 W (1 kHz, 8 Ω)
System Total Power*3	160 W (80 W + 80 W)
DIN output power (at AC 220 to 240 V)	
1.0% total harmonic distortion	
100Hz Woofer Speaker ch	40 W (3 Ω)
1kHz Mid High Speaker ch	15 W (8 Ω)
System Total Power*3	110 W (55 W + 55 W)

■ SPEAKER SECTION*2

2 way 5 speakers system (Bass reflex type)	
Woofer part	12 cm cone type x 1
Mid High part	2.4 x 10 cm flat type x 4

■ SPEAKER GENERAL*2

Power supply	AC 220 to 240 V, 50 Hz (GN) AC 110 to 240 V, 50/60 Hz (GS)
Power consumption	20 W
Wireless link standby	0.8 W
In standby condition	0.15 W
Dimensions (WxHxD)	290mm x 1231mm x 290mm
Mass	Approx. 3.9 kg
Operating temperature range	0°C to 40°C
Operating humidity range	20% to 80% RH (no condensation)

*2 : per 1 speaker

*3 : use 2 speakers

Note:

1. Specifications are subject to change without notice.

2. Total harmonic distortion is measured by the digital spectrum analyzer.

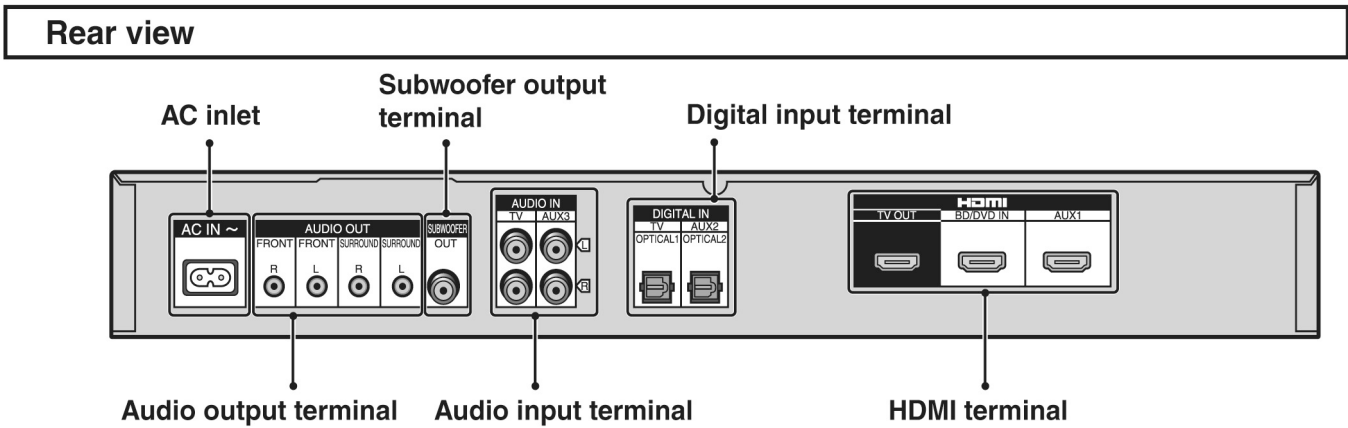
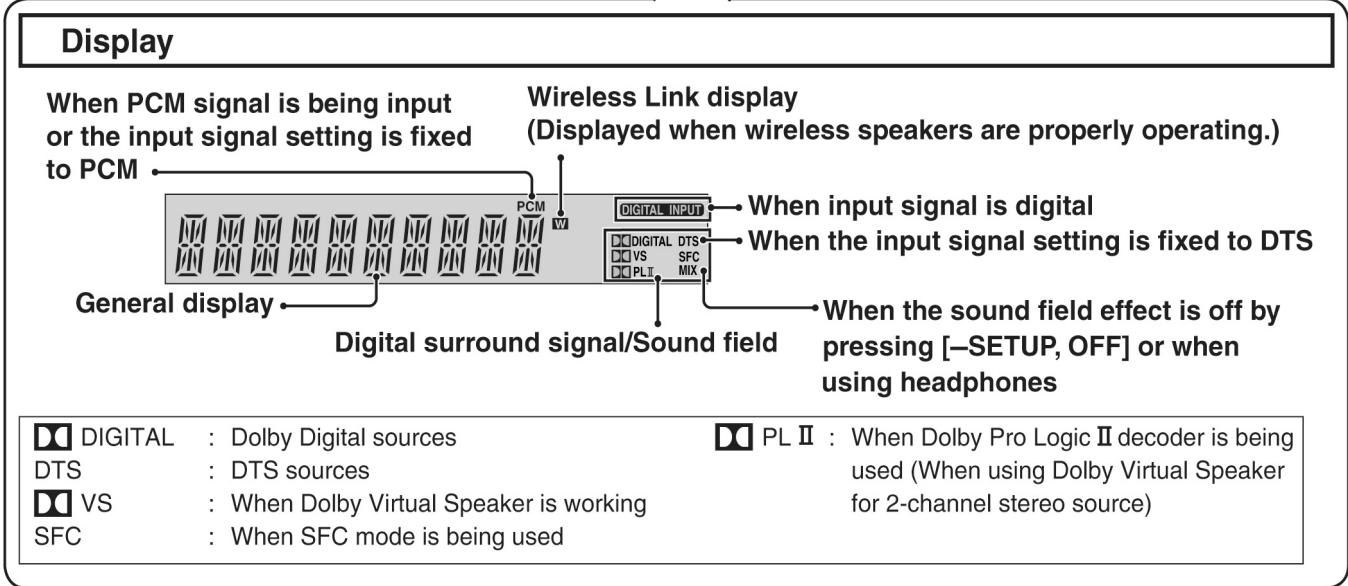
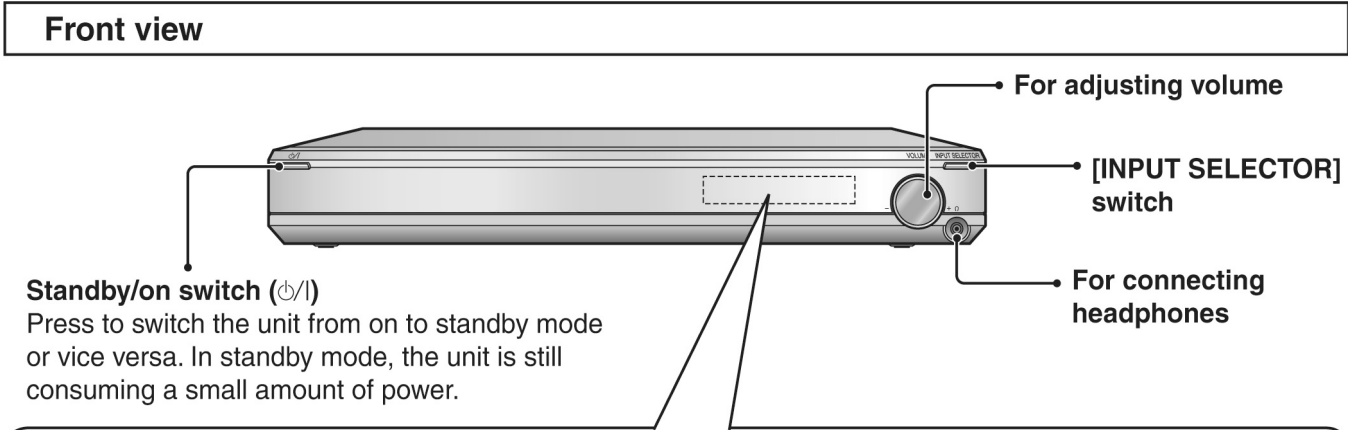
2. Total harmonic distortion is measured by using AES17 filter.

■ System : SC-ZT1GN-S Music center: SU-ZT1GN-K
Speaker: SB-ZT1GN-S1

■ System : SC-ZT1GS-S Music center: SU-ZT1GS-K
Speaker: SB-ZT1GS-S1

5 Location of Controls and Components

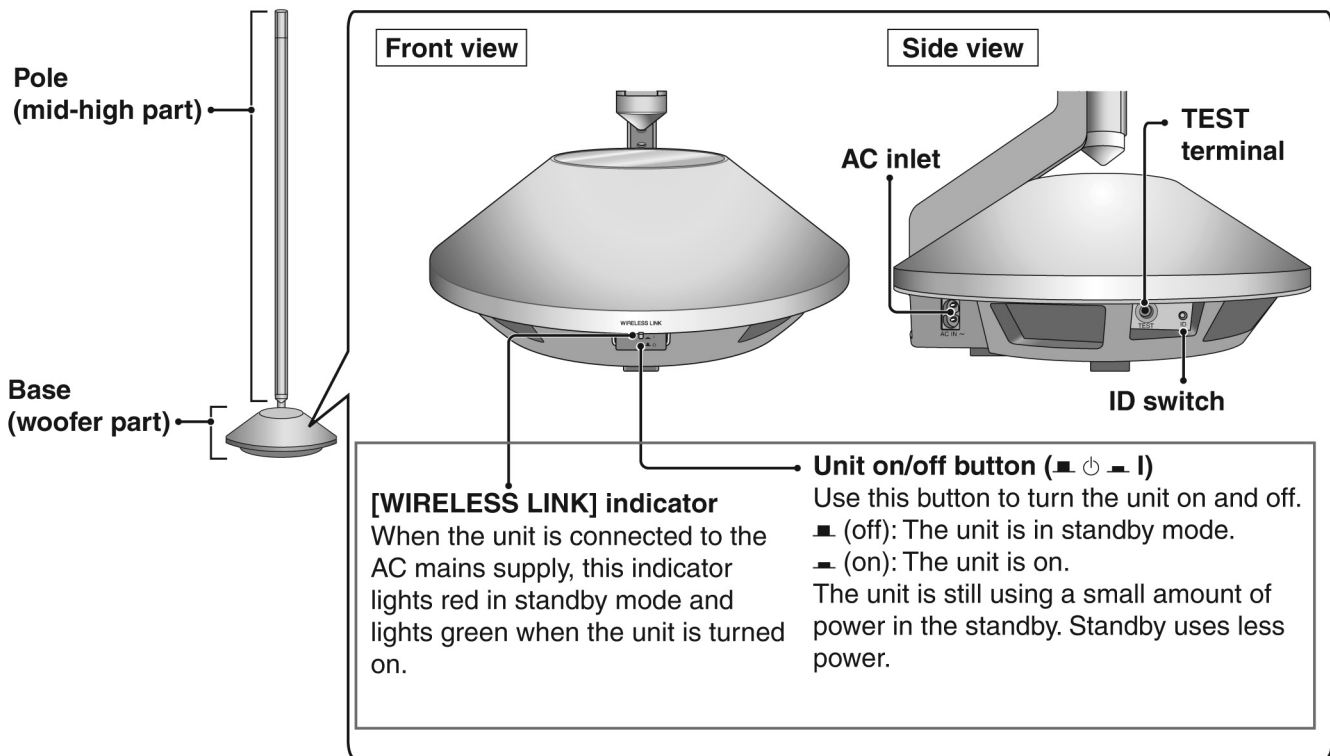
5.1. Main Unit (SU-ZT1)



Note

The audio output terminals can be used when you do not use the wireless function and play back on other speakers via an external amplifier. Use commercially available monaural audio cables (monaural mini plug/pin plug) to connect to audio input terminals of an external amplifier channel by channel.

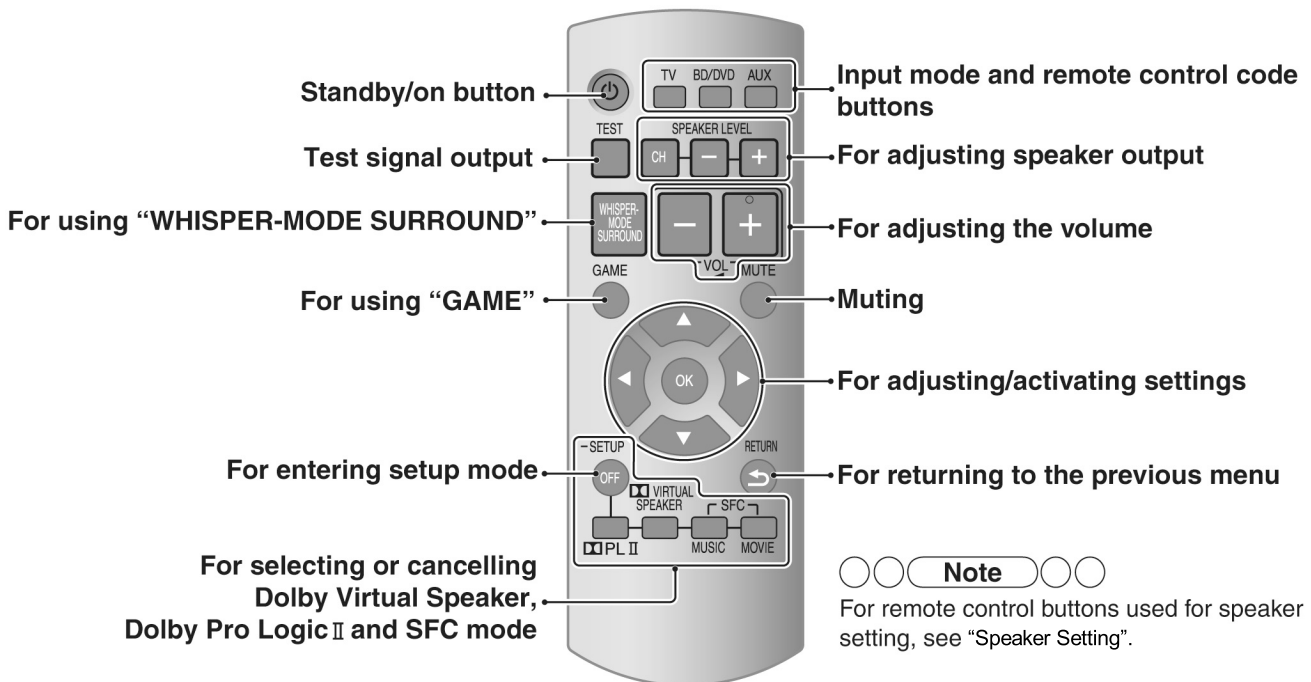
5.2. Speaker Unit (SB-ZT1)



Note

TEST terminal: This is used to check the product operation status. Only used in factory. Do not insert a foreign object.
ID switch: This is used to check the product operation status and not used regularly.

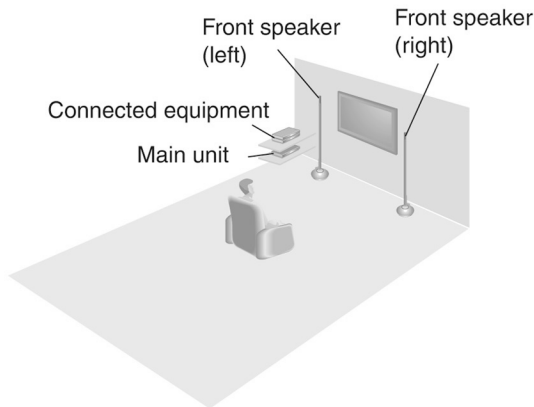
5.3. Remote Control



6 Installation

Setup example

- Aim the front face (with Panasonic logo) of each speaker at the listening-viewing position for setting.



- There is no positional distinction for each speaker before setting.
- Make sure to place the speakers on a flat, stable surface so there is no danger of them falling over.
- When carrying speakers, hold the pole and base parts.
- The speakers of this system are not magnetically shielded.
Do not install this system near a CRT-based television.

Note

- Make sure the base parts are not covered by cloth such as a curtain.
- Before attaching the leg cushion (included) on the base parts to prevent tilt or rattle on the floor, make sure there are no people in the surrounding area.
- If the main unit is placed at the height of 50 cm or below from the floor, the radio waves reach smaller range.
- Do not install other equipment directly on or under the main unit.

Wireless functions

As this system uses a frequency band of 2.4 GHz, the radio waves may be interrupted by an obstacle. Depending on the surrounding environment (i.e. radio wave interruption from outside, etc.) or the building structure where this system is used (i.e. wall that easily reflects radio waves, etc.), sounds may be cut or noise may occur.

Install this system properly paying attention to the following descriptions.

■ Equipment certification

As this system received Technical Conditions compliance certification based on the Radio Law, the wireless station license is not required. However, if you do the following actions to this system, you may be punished by law.

• Disassemble or refurbish

■ Restrictions for use

- Domestic use only.
- Use this system in the same room.

■ Do not place an obstacle between the main unit and speakers.

Radio waves from this system reach maximum range of 15 m in the same room. If there is an obstacle between the main unit and speakers or the main unit is placed at the height of 50 cm or below from the floor, the radio waves reach smaller range.

■ Keep this system away from equipment that generates radio wave interference.

If the following equipment is located near the system, install this system away from such equipment.

- **Bluetooth, OA devices, telephone, etc.: approx. 3 m or more**
- **Microwave oven, wireless LAN compatible devices: approx. 3 m or more**

This system is designed to automatically avoid radio wave interference with such household equipment. If radio wave interference occurs, the Wireless Link display may blink, the sounds from speakers may be interrupted or noise may occur.

These phenomena occur when this system selects a proper frequency. These are not malfunctions.

■ Keep this system away from metal objects that tend to reflect radio waves.

If there are metal objects or furniture in the room where this system is installed, radio waves tend to be reflected. Depending on the listening-viewing position, sounds may be interrupted or noise may occur. These symptoms may be remedied by slightly moving this system's position.




Note that radio waves tend to be reflected also when this system is installed in rooms with a lot of activity.

6.1. Basic Connections

6.1.1. Connecting equipment with HDMI terminal (TV, DVD recorder, etc.)

- Turn off all equipment before making any connections.
- To connect equipment, refer to the appropriate operating instructions.

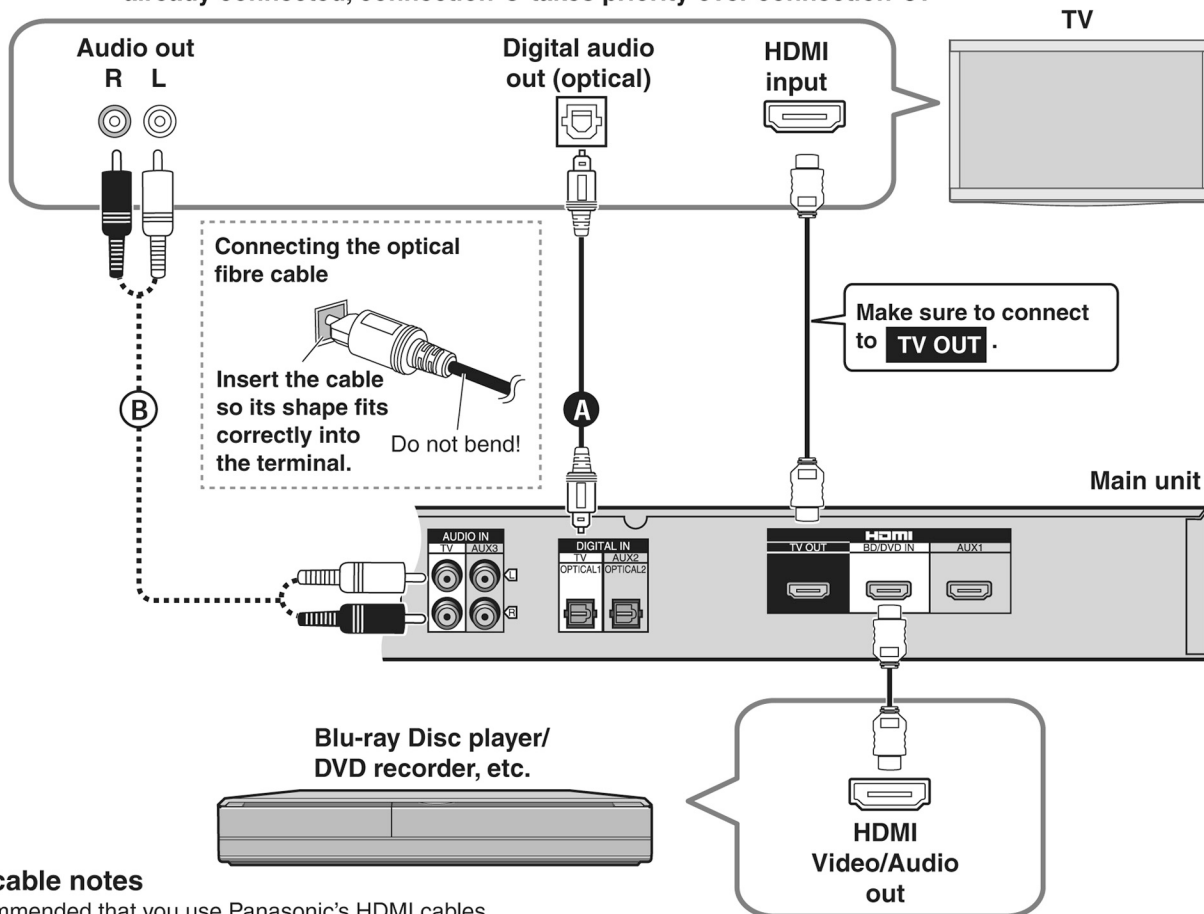
Connection cable

HDMI cable (not included) 	Stereo phono cable (not included) 	Optical fibre cable (not included) 
---	---	--

Connecting equipment with HDMI terminal (TV, DVD recorder, etc.)

Connect TV and the main unit using the optical fibre cable (or stereo phono cable) to enjoy TV sound on this system.

If connection ① is not possible, make connection ②. When both are already connected, connection ① takes priority over connection ②.



■ HDMI cable notes

- It is recommended that you use Panasonic's HDMI cables.
- Please use High Speed HDMI Cables that have the HDMI logo (as shown on the cover).
- When outputting 1080p signal, please use the HDMI cables 5.0 meters or less.

■ Enjoying only with TV speaker

- When image equipment such as TV and Blu-ray Disc player/DVD recorder, etc. is connected to HDMI terminal of this system, images/audio signals from the Blu-ray Disc player/DVD recorder, etc. go through this system and are transmitted to TV even if this system is turned off using the standby/on button of this system. (**Standby through function**) This is convenient to enjoy only with TV speaker.
- Images recorded with x.v.Colour or Deep Colour are also supported.

○ ○ ○ Note ○ ○ ○

When you turn this system off using the standby/on button of this system, the audio/video signals from equipment connected to HDMI input are output through the television, even if you have set input on this system to anything other than HDMI input ("BD/DVD" or "AUX 1") before turning off this system. (The selector returns to the previous setting when you turn this system on again.)
 When equipment is connected to both BD/DVD IN terminal and AUX1 terminal, images/audio signals of equipment whose input is lastly selected are output.

6.1.2. Connecting equipment without HDMI terminal (DVD player, VCR, etc.)

- Turn off all equipment before making any connections.
- To connect equipment, refer to the appropriate operating instructions.

Connection cable

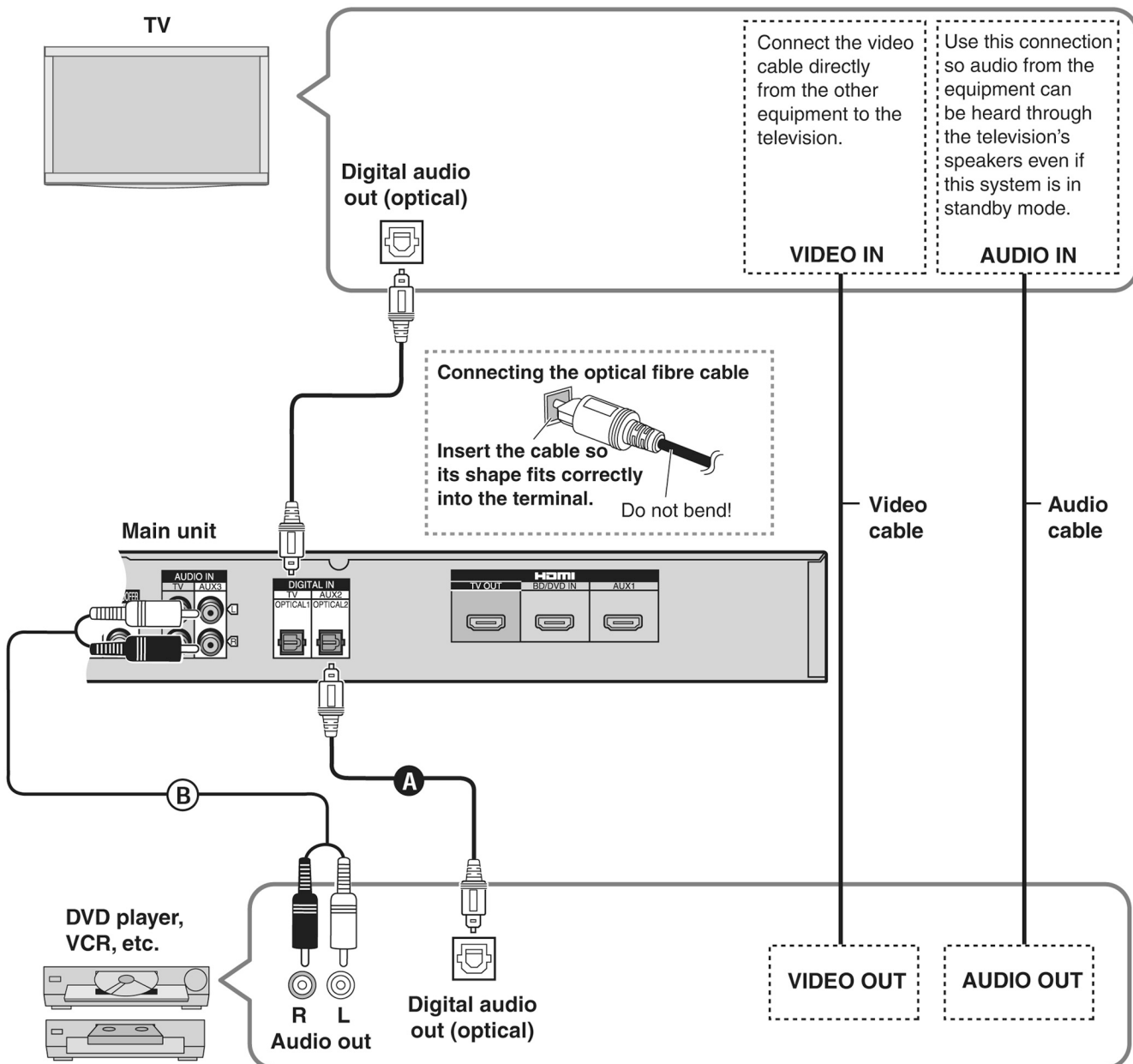
Optical fibre cable (not included)



Stereo phono cable (not included)



- For the correct type of video cable, refer to the operating instructions for the equipment you are connecting.



Make the connection either **A** or **B** according to the suitability for your equipment.

To connect a DVD recorder with built-in VCR

(When the DVD recorder has DVD output terminal and DVD/VHS output terminal, make the following connections.)

Make the above connection **A for DVD output terminal.**

Make the above connection **B for DVD/VHS output terminal.**

6.1.3. Other connections

- Turn off all equipment before making any connections.
- To connect equipment, refer to the appropriate operating instructions.

Connection cable

HDMI cable (not included)

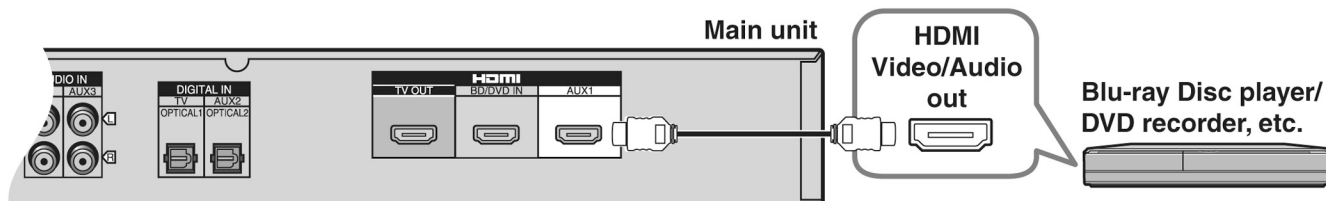


Stereo phono cable (not included)

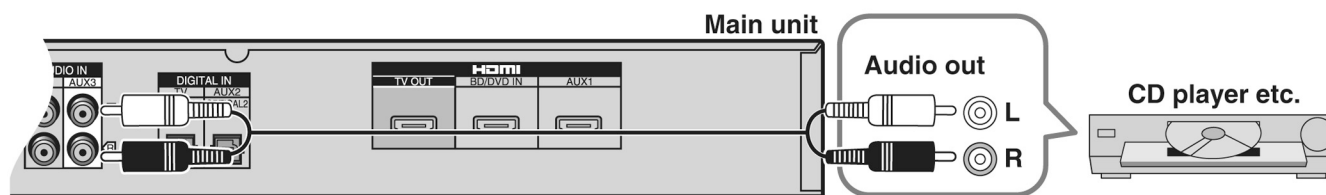


To connect a second set of equipment that supports HDMI

* See Basic connections for connecting this system to TV.



To connect audio equipment (CD player, etc.)



To connect a subwoofer (not included)

You can connect a commercially available active subwoofer (with built-in amplifier) (not included) to the subwoofer output terminal if you want to enjoy deeper bass sounds.

Connection cable

Monaural connection cable (not included)



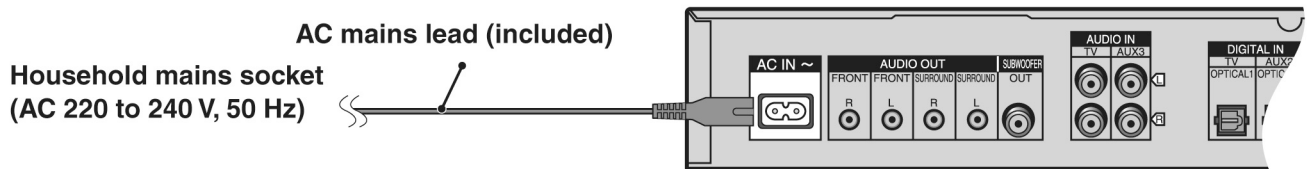
6.2. AC mains lead connection

To save power when the system is not to be used for a long time, unplug it from the household mains socket. Make sure to turn this system off before unplugging the AC mains lead. If you unplug the AC mains lead without turning this system off, some of the settings may not be saved.

Main unit

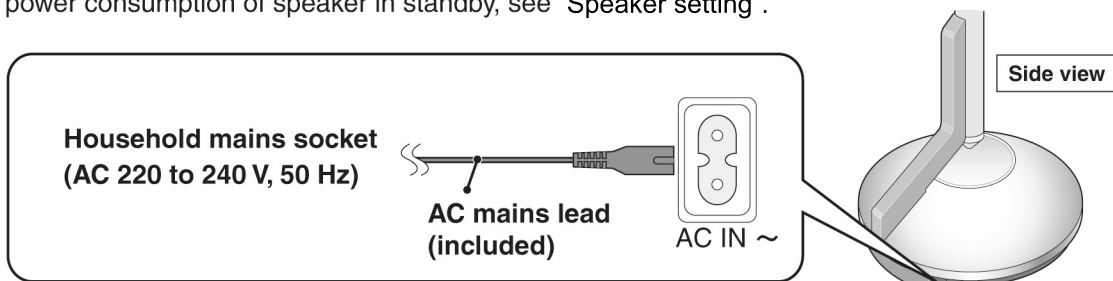
Connect AC mains lead after all other cables are connected.

This system consumes approx. 0.5 W when AC mains lead is connected to the household mains socket (approx. 0.2 W in standby condition (HDMI off mode)).



Speakers

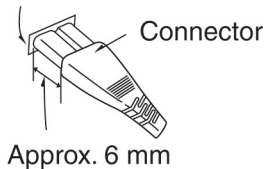
For power consumption of speaker in standby, see "Speaker setting".



Insertion of connector

Even when the connector is perfectly inserted, depending on the type of inlet used, the front part of the connector may jut out as shown in the drawing. However there is no problem using the system.

Appliance inlet



Note

The included AC mains leads are for use with this system only. Do not use them with other equipment. Also, do not use AC mains lead for other equipment with this system.

7 Speaker setting (SB-ZT1)

7.1. Setting the speakers

Make sure to make this setting when using for the first time after purchase.

Preparations

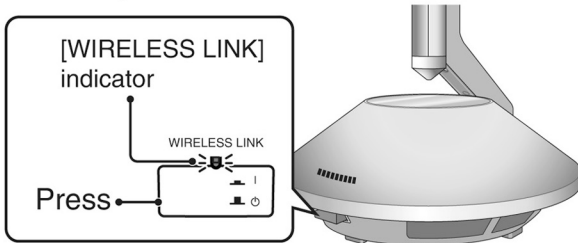
- **Make sure that all equipment has been turned off.**
(When the VIERA Link "HDAVI Control" compatible Panasonic TV (VIERA) and Blu-ray Disc player/DVD recorder (DIGA) are connected, do not turn on TV (VIERA) and Blu-ray Disc player/DVD recorder (DIGA) until the setting is complete.)
- **Connect AC mains leads of main unit and 2 speakers to household mains sockets.**
- **Make sure that the main unit and speakers have been turned off.**
- **Prepare the remote control.**

1. Turn the main unit on.



- "2CH SEARCH" appears on the display.
(This is displayed only at the first-time setting.)

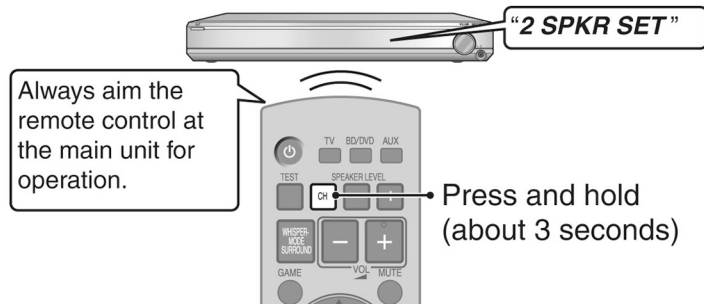
2. Turn 2 speakers on.



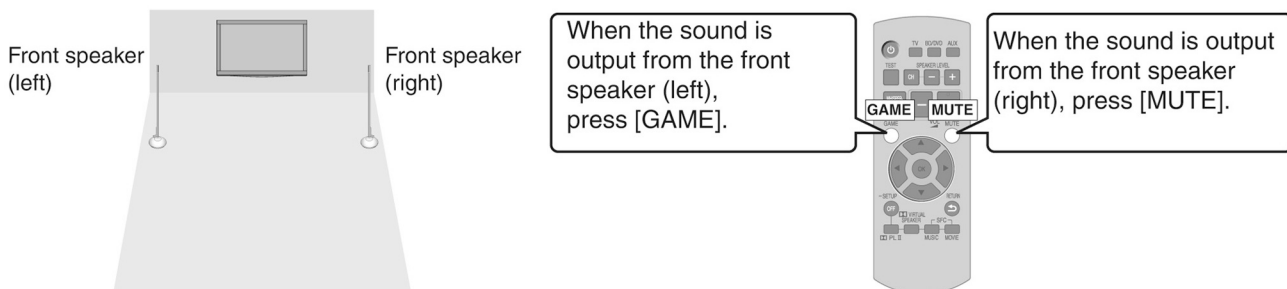
- The colour of [WIRELESS LINK] indicator changes from red to green.
- When the [WIRELESS LINK] indicator of each speaker lights green, "2CH SEARCH" display disappears.

👉 **When installing surround speakers**
See "Installing surround speakers" and "Setting surround speakers" in O/I.

3. Press and hold [CH] on the remote control about 3 seconds until "2 SPKR SET" is displayed on the main unit's display.



4. Press the remote control button corresponding to the speaker outputting the confirmation sound.



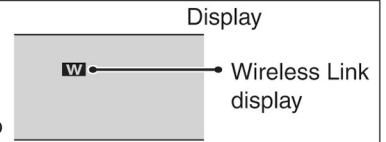
- Sound is output from either of the speakers.
- When you press the button corresponding to the confirmation sound of speaker, another speaker outputs confirmation sound. Press the corresponding button in the same way and complete settings for all 2 speakers.
- When "COMPLETE" disappears on the main unit's display, the speaker setting is complete.

Note

- Check if the speakers are properly set after setting the speakers.
- If the speakers are set incorrectly in step 4, turn the main unit off then on again and perform steps 3 and 4.
- If [WIRELESS LINK] indicator does not change from red to green, see "Troubleshooting guide" in O/I.

When the speakers are detected, the Wireless Link display lights up on the main unit's display.
(Blinks during detecting operation.)

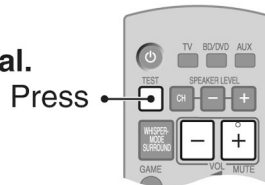
While the wireless speakers operate normally, the Wireless Link display lights, but when radio waves are interrupted (when speakers are in standby condition, etc.), it blinks.



- When you turn the main unit off with the speakers on, the speakers automatically enter standby (Wireless link standby). The colour of [WIRELESS LINK] indicator turns to red.
 - To reduce more of the power consumption of speakers in standby, turn the speakers off. The speakers enter standby (In standby condition).
- <Power consumption of speakers in standby>
 Wireless link standby: approx. 0.8 W (per 1 speaker)
 In standby condition: approx. 0.15 W (per 1 speaker)

Checking the speaker setting

1. Turn the main unit on.
2. Press [TEST] on the remote control to output the test signal.



- To adjust the speaker volume, press [VOL ▲ +, ▼ -].

3. Make sure that the display of main unit matches speaker locations.

The test signal is output from one speaker at a time for about 2 seconds in the order shown below.

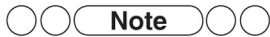
“TEST L” → “TEST R” → “TEST RS”* → “TEST LS”*



- Confirm the correct setting locations in the following chart.

Display	Speaker outputting the test signal
TEST L	Front left
TEST R	Front right
TEST RS*	Surround right (right back)
TEST LS*	Surround left (left back)

* Displayed only when using the surround speakers.



If the speakers are not properly set, do either of the following.

- Move the speakers according to the unit's display.
- Perform steps 3 and 4 of “Setting the speakers”.

4. Press [TEST] on the remote control to stop the test signal.

If the speaker is repaired or replaced

Perform the above “Checking the speaker setting” to confirm that the speaker properly operates.

Do the following operations if the sound is not produced normally.

1. Press and hold [INPUT SELECTOR] on the main unit approx. 3 seconds until “2CH SEARCH” is displayed.
2. Perform steps 2 to 4 of “Setting the speakers”.

7.2. Initialize the Speaker Setting

About the method of initializing the setting of the speaker.

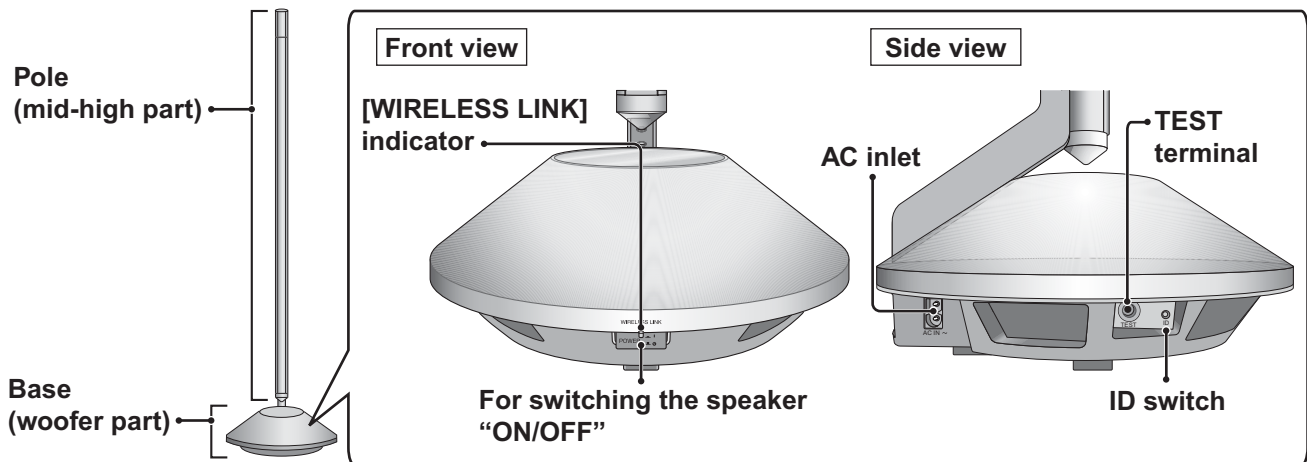
Please initialize it when the main body of the speaker is changed or it added.
Please set the speaker after ID is reset.

Preparation:

- Please connect the power supply code of the speaker.
- Please confirm the power supply of the speaker cuts.

1. It keeps pushing the power switch for about five seconds with ID switch pushed.
(ID is reset.)

2. Please turn off power of the speaker.



8 Self diagnosis and special mode setting

This unit is equipped with the self diagnosis display function, which alarms faulty operation with error code. Use this function during servicing.

8.1. Activating Service Mode

This mode can be used during servicing.

1. Plug the AC adapter to the power source. Press and hold down the [VOL +] button and the [VOL -] button, and then press the [POWER ⏻] button at the same time.
2. The message, [SERVICE] appears on the display for three seconds, and then it will display the following. Refer to Fig. 1.

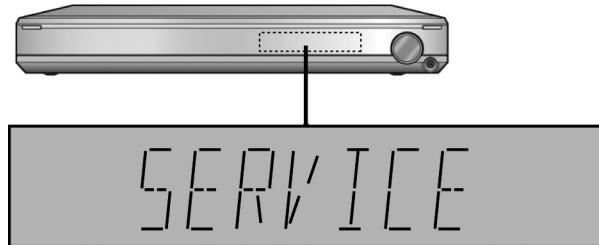


Fig. 1

3. To confirm the μ P software version: When [VOL +] button is pressed, [M--- ****] is displayed [---] is current main micon version; [****] is current checksum. If no ROM correction, [NO] is displayed.
When [VOL -] is pressed, display [H***], [***] is current version of HDMI micon.

8.2. Activating Doctor Mode

This mode can be used during servicing.

1. Plug the AC adapter to the power source. Press and hold down the [INPUT SELECTOR] button and the [VOL +] button, and then press the [POWER ⏻] button at the same time.
2. The message, “_DOCTOR_” appears on the display for three seconds, and then it will display the following. Refer to Fig. 2.

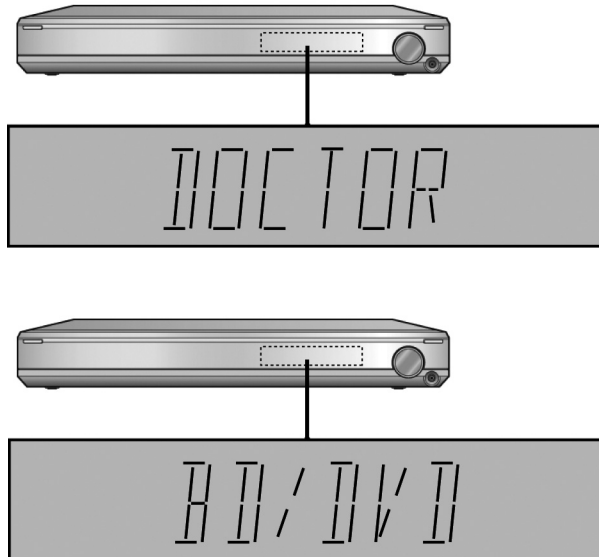


Fig. 2

8.3. Error Codes Display List

An error code automatically appears on the display (LCD) when faulty operation is detected. Refer to Fig. 3.

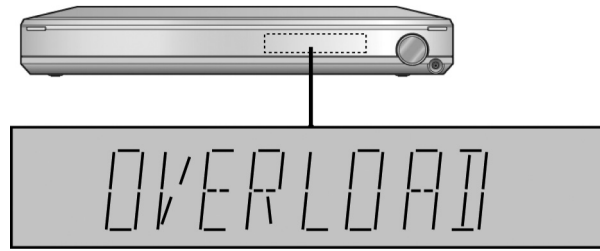




Fig. 3

FL display	Symptom	Cause and Remedy
F61/OVERLOAD	Speaker short, amplifier failure, electrical overload etc.	Speaker short and failure in power amplifier, pre-amplifier circuits. Check for faulty parts and replace with new parts if necessary.
	Humidity protection activated	
FANLOCK	Fan stopped	Failure fan and fan control circuits. Check for faulty parts and replace with new parts if necessary.
F70	Communication error between sub micro-processor and its peripheral LSI	Failure sub-micro processor and its peripherals LSI. Check for faulty parts and replace with new parts if necessary.
F76	When the power is turned on, the unit power automatically turns off; the power cannot be turned on.	Failure in the power circuit system of the unit. This may happen when the direct current electricity is supplied to speaker terminals. Check that the speaker wires are not shorted (bare wire touching each other) or that the unit is in a hot environment without proper ventilation.
Remote 2 Remote 1	Main unit code setting problem with remote control.	Set the same remote control code for this system and remote control. <ul style="list-style-type: none"> • If "REMOTE 2" is displayed, set remote control code to "2". • If "REMOTE 1" is displayed, set remote control code to "1".
U701	HDMI does not work properly.	The equipment connected by the HDMI cable is not compatible with this system's copyright protection technology.
U704	HDMI does not work properly.	The system is receiving video signals that are incompatible with it through HDMI connection. Check the settings of the connected equipment.
U703	A problem has occurred with the HDMI connection.	A problem has occurred with the HDMI connection. Try the following to correct the problem. Consult your dealer if the error code remains on the display. <ul style="list-style-type: none"> • Turn the connected equipment off and on again. • Disconnect the HDMI cable then reconnect it. • Do not connect more than 2 equipment in series to the output of this system.
NOT POSSIBLE FOR THIS INPUT SOURCE (Scrolling)	Input signals are automatically cancelled.	You cannot use Dolby Virtual Speaker, Dolby Pro Logic II and SFC for dual sounds.
NOT POSSIBLE FOR THIS PCM SOURCE (Scrolling)	Input signals are automatically cancelled.	You cannot use Dolby Virtual Speaker, Dolby Pro Logic and SFC effect with PCM signals with sampling frequency over 48 kHz. SFC is not available for multi-channel LPCM signal.

8.4. Inspection Mode

Remote Control	Test Mode Function and settings			
	Selector	Sound Mode	Other settings	Vol/Tone
SPEAKE LEVEL -	AUX 4	STEREO	Analog	-18dB/0dB
SPEAKER LEVEL CH	AUX 3	STEREO	E2 : OPT2, Others : Analog	-18dB/0dB
ENTER(OK)	TV	STEREO	Digital (OPT1)	-48dB/0dB
SFC MUSIC	AUX 2	STEREO	Digital (E2 : CAOX, Others : OPT2)	-48dB/0dB
MUTE	All indicators of FL are displayed. All LED are off. Note: After this setting, only "POWER" button or "Checker Command" code by the remote control can be entered.			
VOL +	Check Main μ P software version. Display [M---- ****]; ---- is current version; **** is current checksum. If no ROM correction, [NO] is displayed. * Volume is still increased but not displayed.			
VOL -	Check HDMI μ P software Version. Display [H---- ^^^^]; ---- is current version. * Volume is still increased but not displayed.			

Remote Control	Test Mode Function and settings			
	Selector	Sound Mode	Other settings	Vol/Tone
TEST	AUX 4 (Analog)	—	All CH output mode	-18dB/0dB
	TV (OPT1)	STEREO	Balance is set to leftmost.	-18dB/0dB
	TV (OPT1)	STEREO	Balance is set to rightmost.	-18dB/0dB
VIRTUAL SPEAKER	AUX 4 (Analog)	DVS (REF <-> WIDE)	Switch alternately	-18dB/0dB

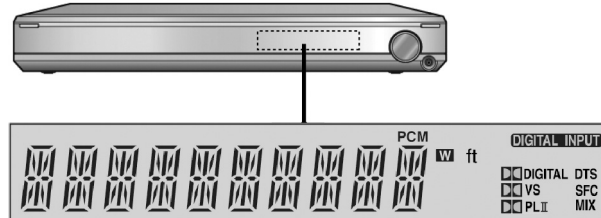
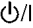


Fig. 4

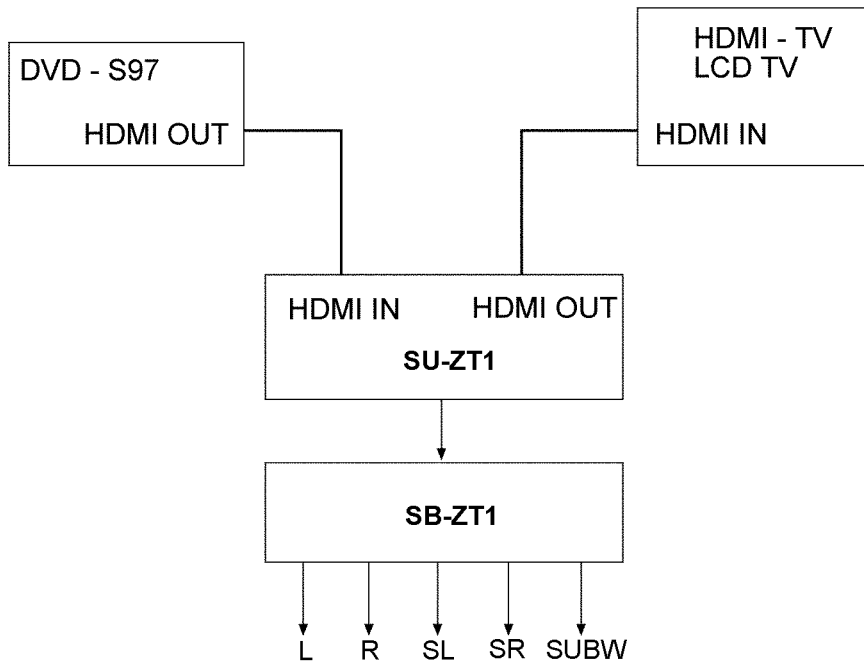
8.5. Returning to Normal Display

1. Press the [POWER ] button on the unit to exit the function. The power is turned off.

9 Troubleshooting

9.1. HDMI Checking Method

1. Connection of HDMI system



Setting of DVD-S97			
[Setup Menu]			
1. Video	→	TV Aspect	→ 16:9
		→ TV type	→ LCD TV
2. Audio	→	PCM Digital Out	→ Up to 192kHz
		→ Dolby Digital	→ Bitstream
3. HDMI	→	HDMI RGB Range	→ Enhanced
		→ HDMI Video mode	→ on
		→ HDMI Audio output	→ on
[Display Menu]			
1. Picture Menu			
	→	Picture mode	→ Normal
	→	Video output mode	→ 1125i
	→	HDMI Colour space	→ RGB

2. Check of HDMI Sound

- Using the [DVD AUDIO TEST DISC V-612] and DVD-VIDEO disc with Dolby Digital signal.
- [DVD AUDIO TEST DISC V-612] - Track No. 92 (96kHz, 5.1ch). Track No. 40 (Zero) Check the Level and Noise, output from L / C / R / SL / SR / SW / speaker or pin.
- [DVD AUDIO TEST DISC V-612] - Track No. 7 (192kHz, 2ch)
if this source can be reproduced, it is OK.

3. Check of HDMI Picture

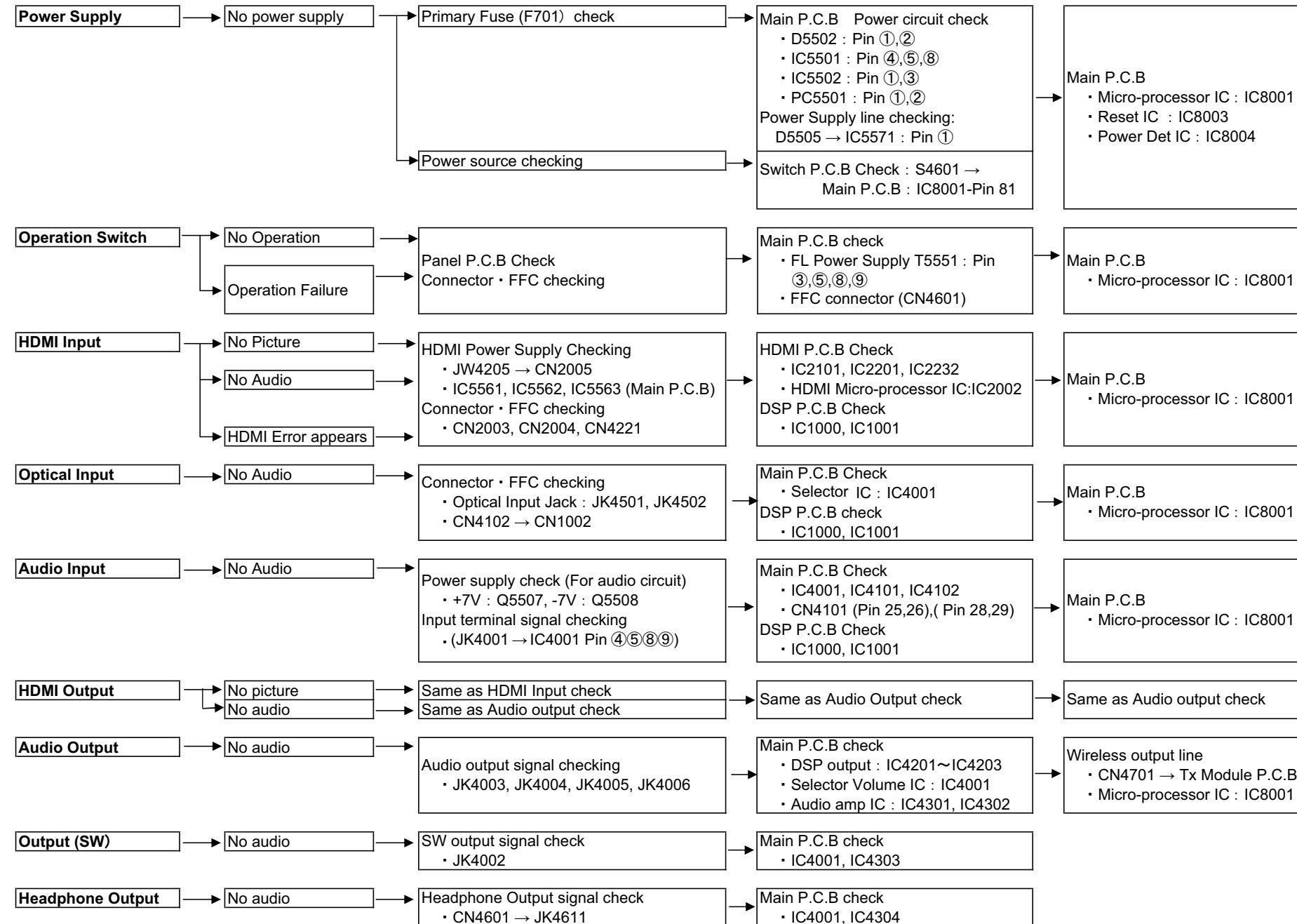
- The picture quality of TV is checked by watching that using [DVD TEST DISK S-20] or DVD disc with the colour bar signal.
- [DVD TEST DISK S-20] - Track No. 2 (Flag of the rising sun)
[Colour bar disc] - Colour bar signal.
- Make on DVD Setup Picture

Confirmed that there are neither distortion nor a noise on the screen.

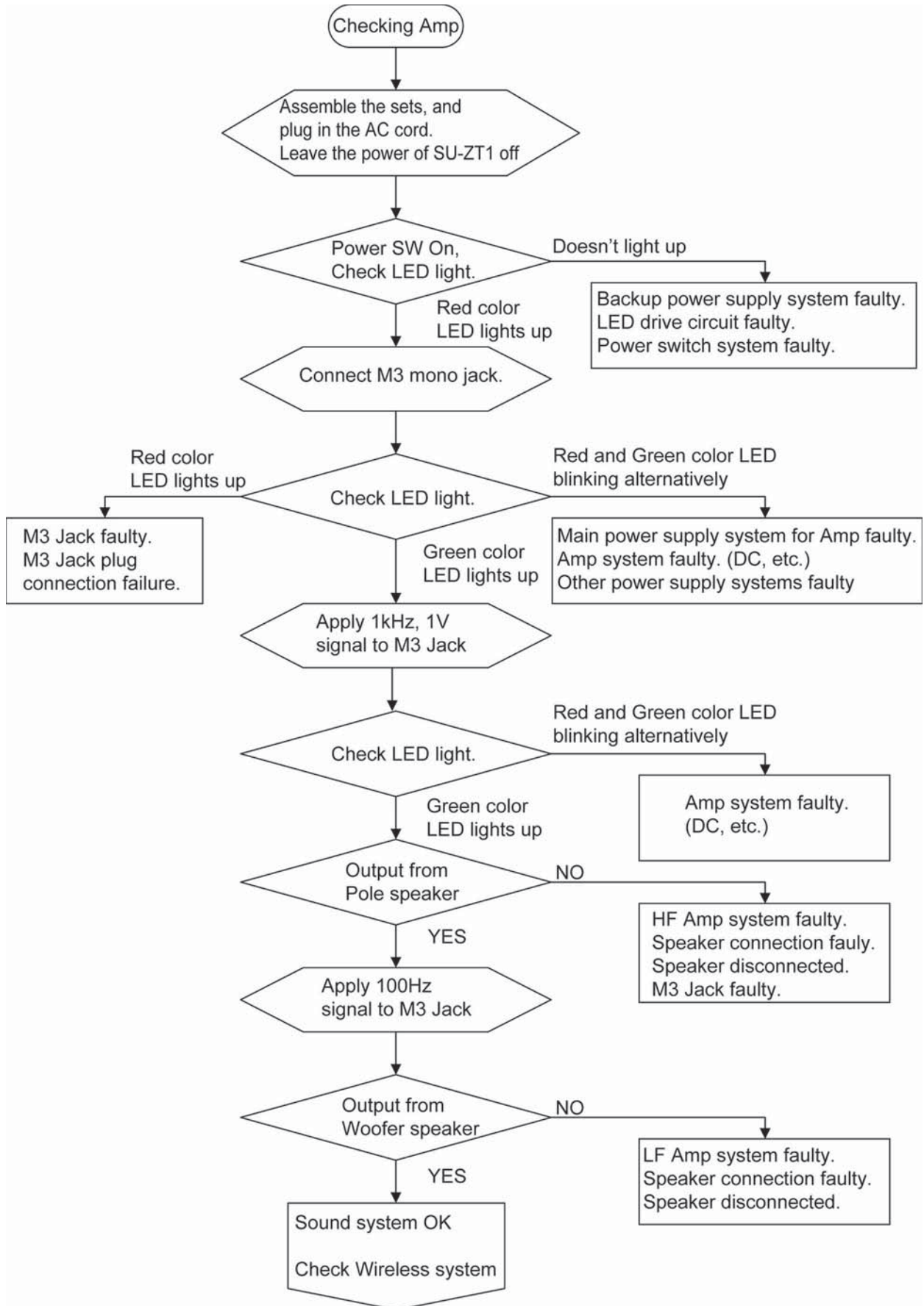
- If it is a picture quality equal when DVD was connected directly to TV, it is OK
 1. Connect directly DVD player to TV.
 2. Connect DVD player to set then connect it to TV.
 3. Do the comparison for (1) and (2) if same, it is OK.

9.2. Troubleshooting Flow Chart

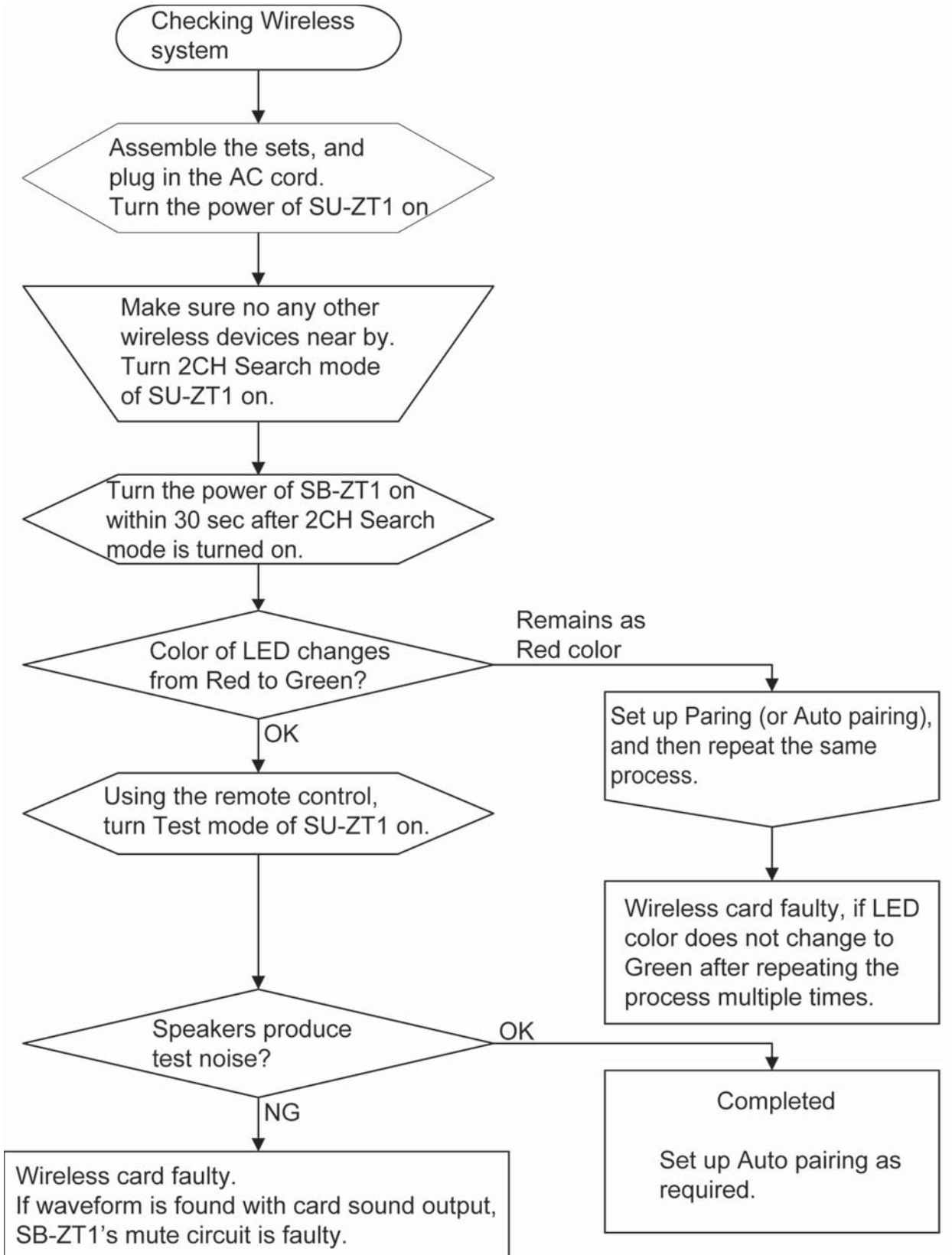
9.2.1. Main Unit (SU-ZT1)

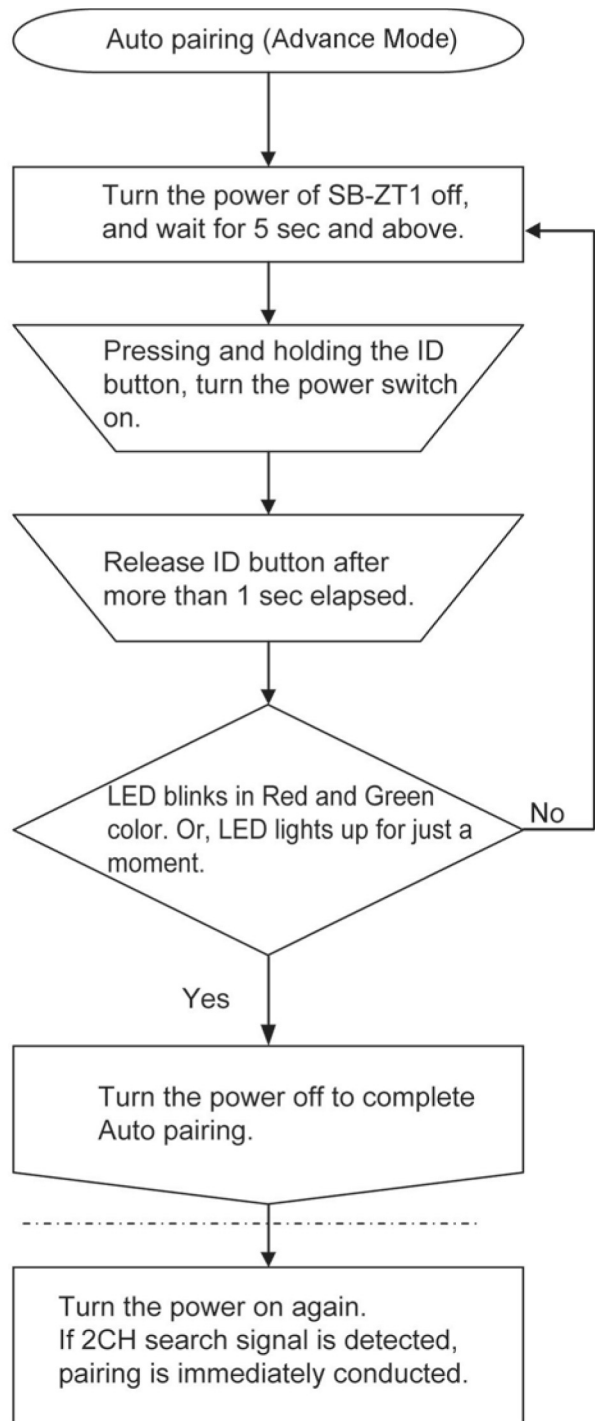
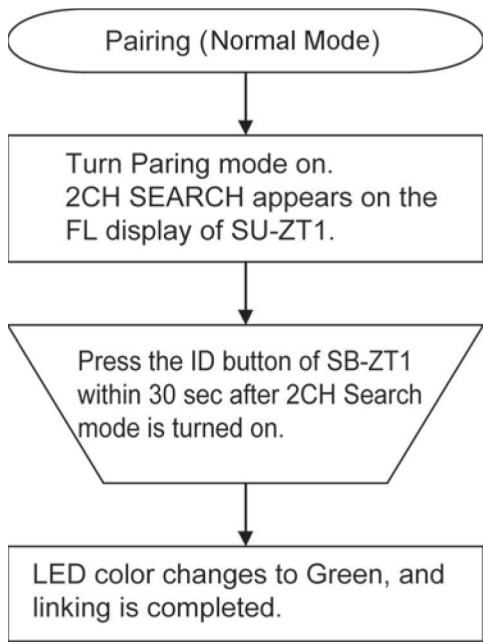


9.2.2. Speaker Unit (SB-ZT1)



9.2.3. Speaker Unit (SB-ZT1) - Wireless Link





10 Disassembly and Assembly Instructions

10.1. Caution

“ATTENTION SERVICER”

Be careful when disassembling and servicing.

Some chassis components may have sharp edges

Special Note:

1. This section describes the disassembly procedures for all the major printed circuit boards and main components.
2. Before the disassembly process was carried out, do take special note that all safety precautions are to be carried out.
(Ensure that no AC power supply is connected during disassembling.)
3. For assembly after operation checks or replacement, reverse the respective procedures.
Special reassembly procedures are described only when required.
4. Do take note of the locators on each printed circuit board during reassembling procedures.
5. The Switch Regulator IC may have high temperature after prolonged use.
6. Use caution when removing the top cabinet and avoid touching heat sinks located in the unit.

**CAUTION: HOT!!
PLEASE DO NOT
TOUCH THE HEAT SINK**

7. Select items from the following index when checks or replacement are required.

Main Unit (SU-ZT1)

- Disassembly of Top Cabinet
- Disassembly of HDMI P.C.B.
- Disassembly of DSP P.C.B.
- Disassembly of Rear Panel
- Disassembly of Wireless TX P.C.B. and TX Module P.C.B.
- Disassembly of Main P.C.B.
- Disassembly of Front Cabinet
- Disassembly of Panel P.C.B. and Power SW P.C.B.

Speaker Unit (SB-ZT1)

- Disassembly of Woofer Block
- Disassembly of Middle Cabinet Assembly
- Disassembly of Extent P.C.B.
- Disassembly of SMPS P.C.B. and AC Inlet P.C.B.
- Replacement of IC5701
- Replacement of Diode (D5802)
- Disassembly of D-Amp P.C.B.
- Disassembly of RX Module P.C.B.
- Disassembly of Input P.C.B.
- Disassembly of Port Assembly (A , B) and Port Assembly (C, D)
- Disassembly of Woofer Speaker (SP1)
- Disassembly of Arm Unit
- Disassembly of Prepared Net Assembly
- Disassembly of Antenna Cover Assembly
- Disassembly of Antenna Wire
- Disassembly of Tweeter Speakers (SP2 / SP3 / SP4 / SP5)

CAUTION NOTE:

Please use original screw and at correct locations.

Below shown is part no. of different screw types used:

Main Unit (SU-ZT1)

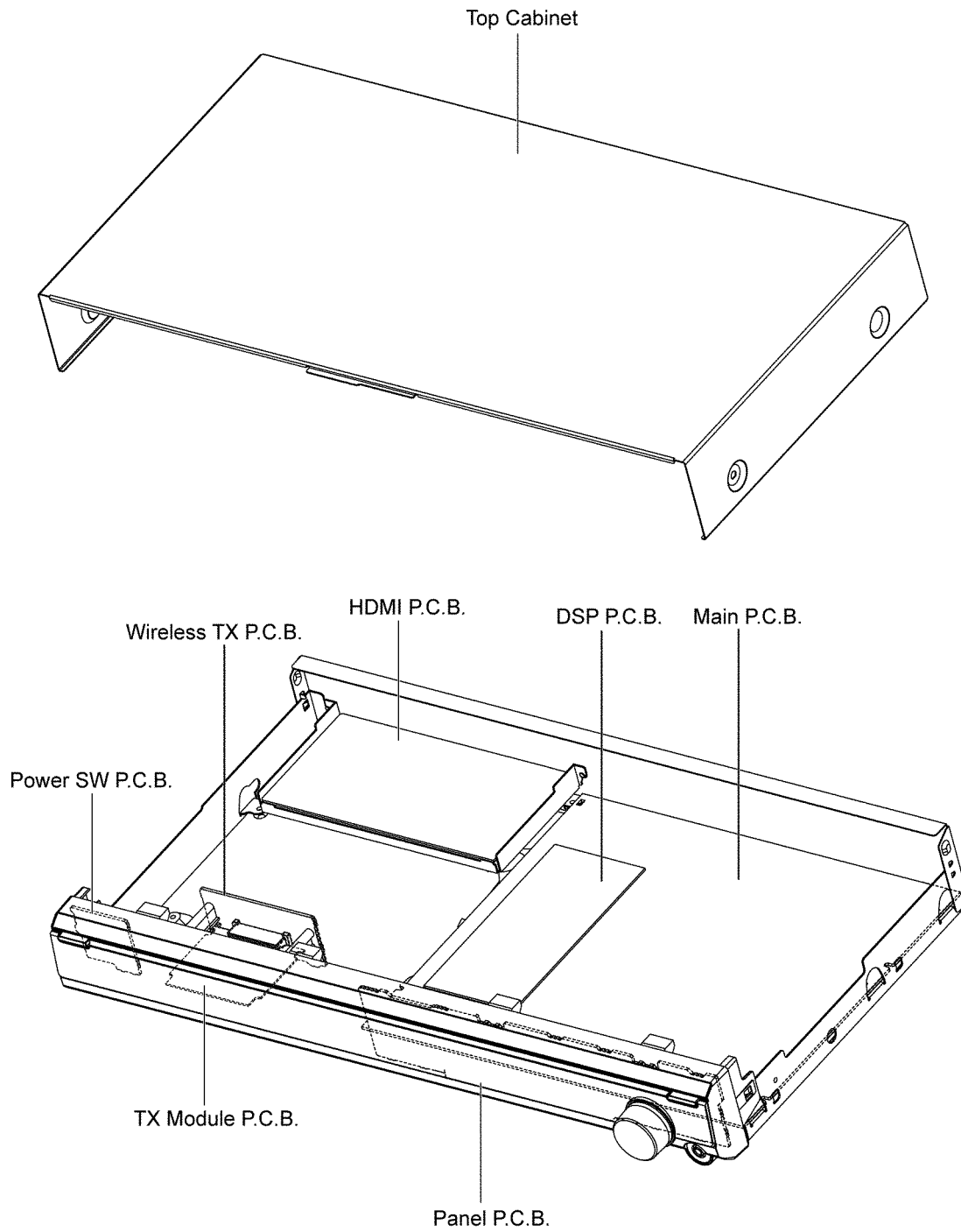
- a** : RHD30007-K2J
- c** : XSN3+4FJ
- d** : RHD30119-K
- e** : RHD30111-31
- f** : RHD30119-S
- m** : RHD26046
- u** : RHDX3005-1

Speaker Unit (SB-ZT1)

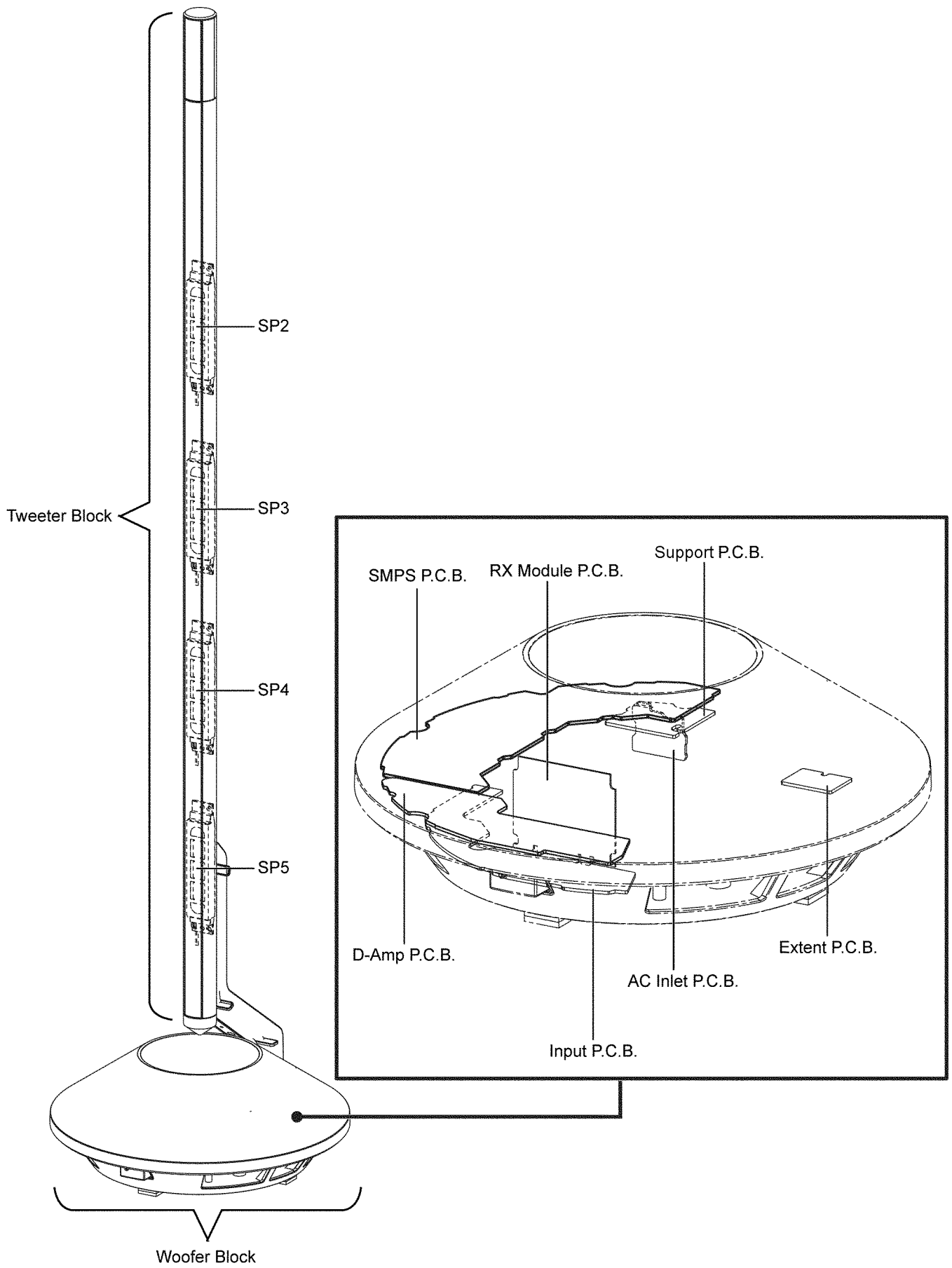
- | | |
|------------------------|-----------------------|
| b : XTB3+10GFJK | n : XTB4+10JFJ |
| g : RHD26050 | o : XYN4+J30FJ |
| h : XTN2+6JFJK | p : XSB3+8JFJK |
| i : XTS2+6GFJ | q : RHD40030 |
| j : XTB4+6JFJK | r : XTB3+6JFJK |
| k : XYN4+F20FN | s : XTV3+6FFJ |
| l : RHD26043-1 | t : XTB3+8JFJ |
| m : RHD26046 | |

10.2. Main Parts Location Diagram

10.2.1. Main Unit (SU-ZT1)



10.2.2. Speaker Unit (SB-ZT1)

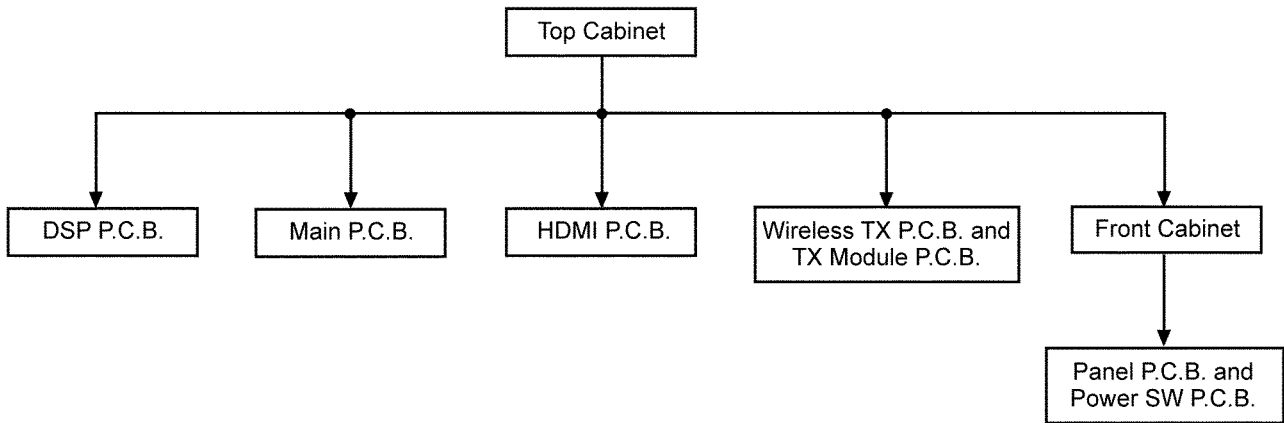


10.3. Disassembly flow chart

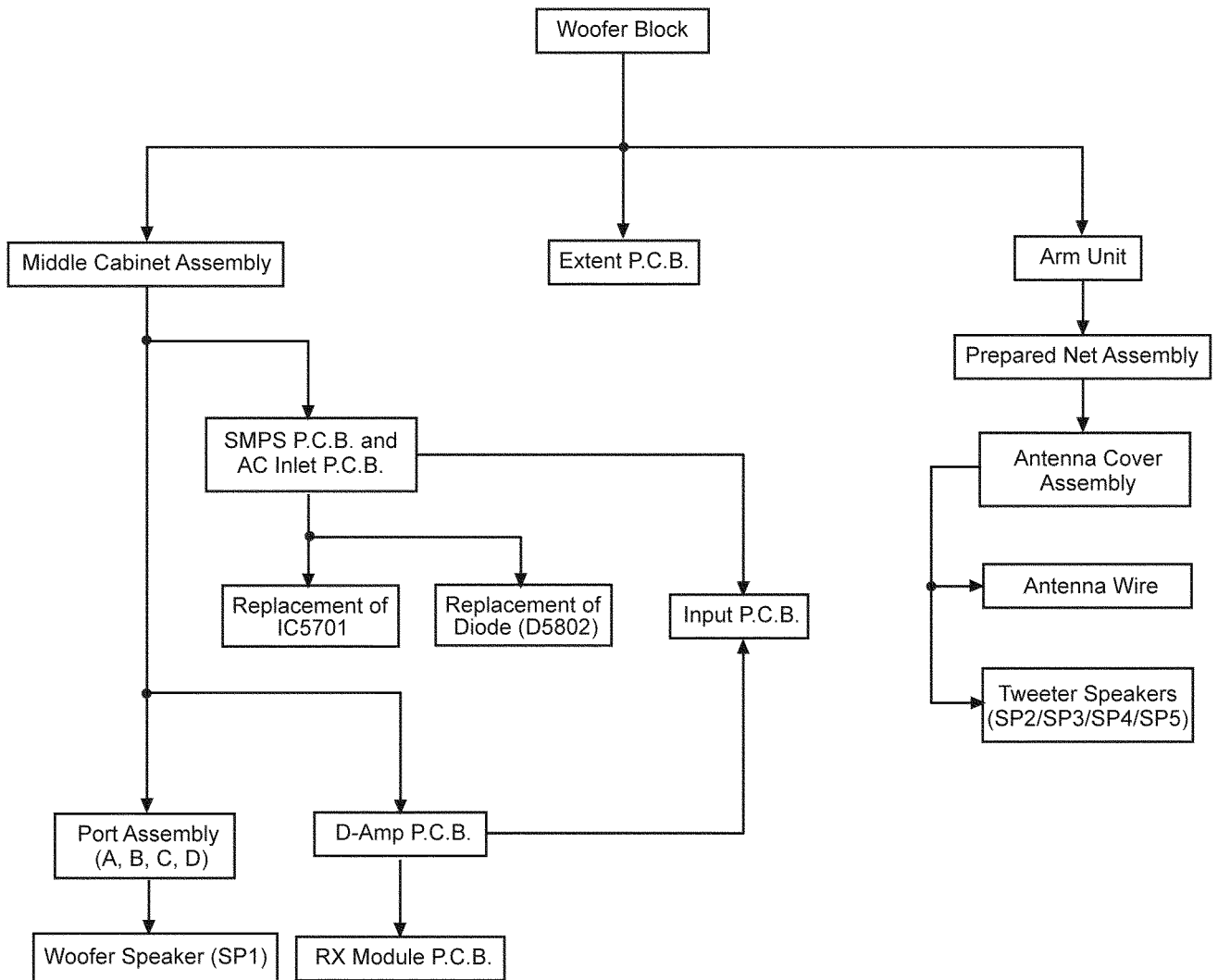
The following chart is the procedure for disassembling the casing and inside parts for internal inspection when carrying out the servicing.

To assemble the unit, reverse the steps shown in the chart below.

10.3.1. Main Unit (SU-ZT1)

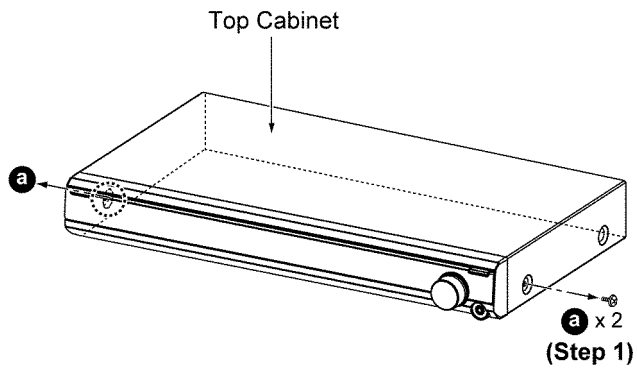


10.3.2. Speaker Unit (SB-ZT1)

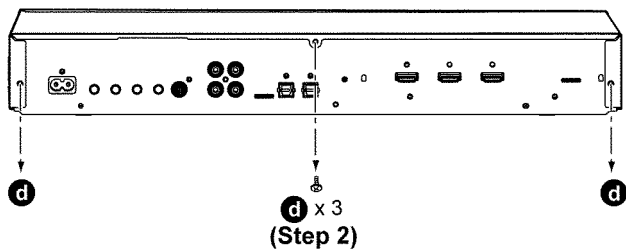


10.4. Main Unit (SU-ZT1)

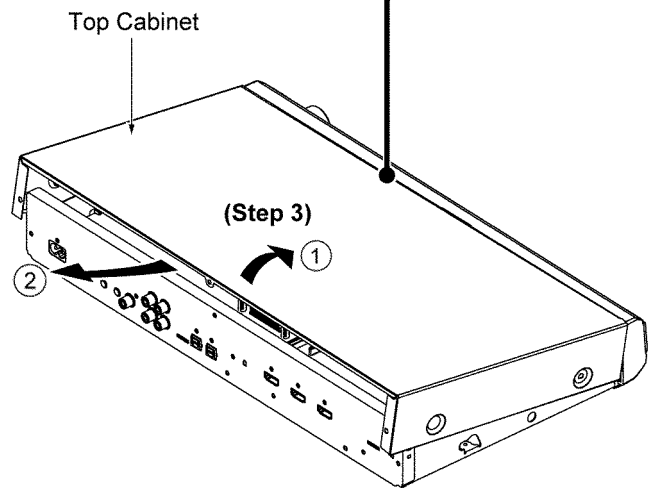
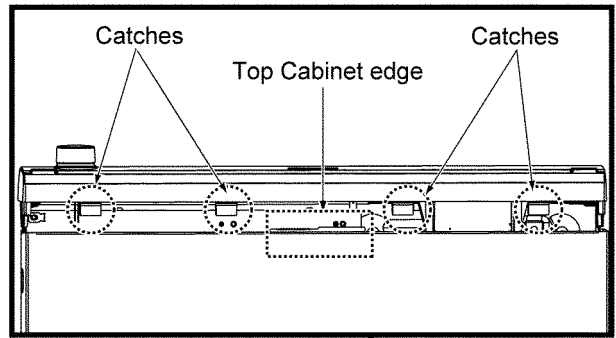
10.4.1. Disassembly of Top Cabinet



Step 1 : Remove 2 screws.



Step 2 : Remove 3 screws.

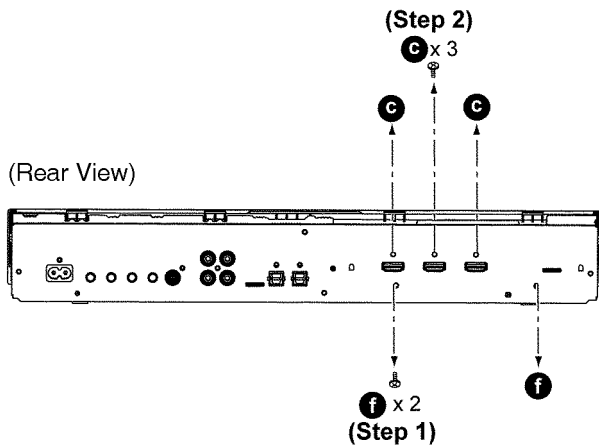


Step 3 : Lift up the rear part of the Top Cabinet and remove it in order as arrows shown.

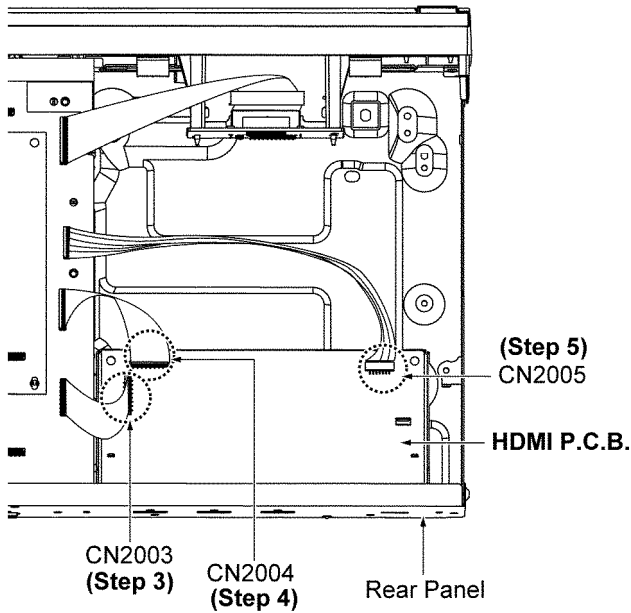
Caution : During assembling, ensure that the Top Cabinet is fully inserted into the Front Cabinet.

10.4.2. Disassembly of HDMI P.C.B.

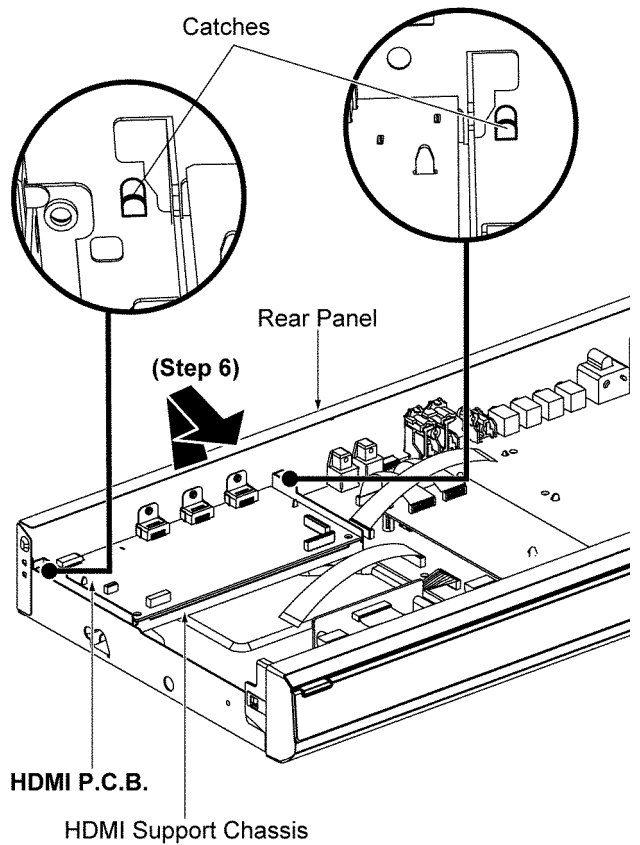
- Follow the (Step 1) - (Step 3) of Item 10.4.1.



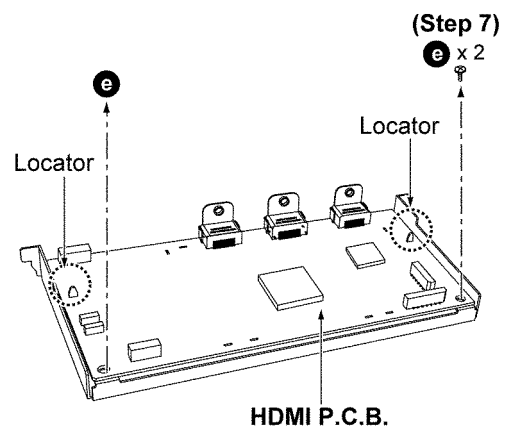
- Step 1 :** Remove 2 screws.
Step 2 : Remove 3 screws.



- Step 3 :** Detach 15P FFC at the connector (CN2003) on the HDMI P.C.B.
Step 4 : Detach 16P FFC at the connector (CN2004) on the HDMI P.C.B.
Step 5 : Detach 7P cable at the connector (CN2005) on the HDMI P.C.B.



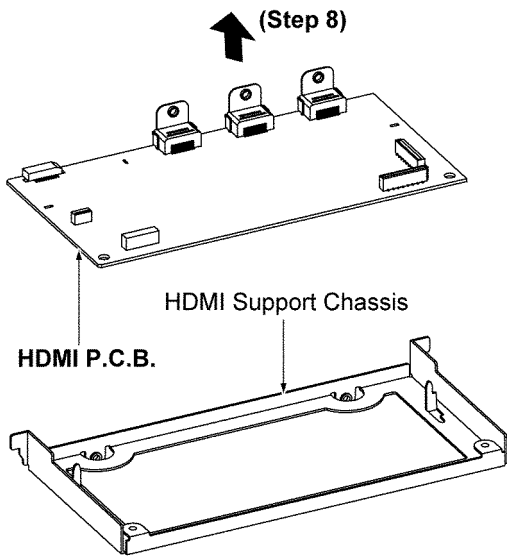
- Step 6 :** Lift up to remove the HDMI P.C.B. and the HDMI Support Chassis as arrow shown.
Caution : During assembling of the HDMI P.C.B., ensure that the HDMI Support Chassis is properly caught onto the Rear Panel.



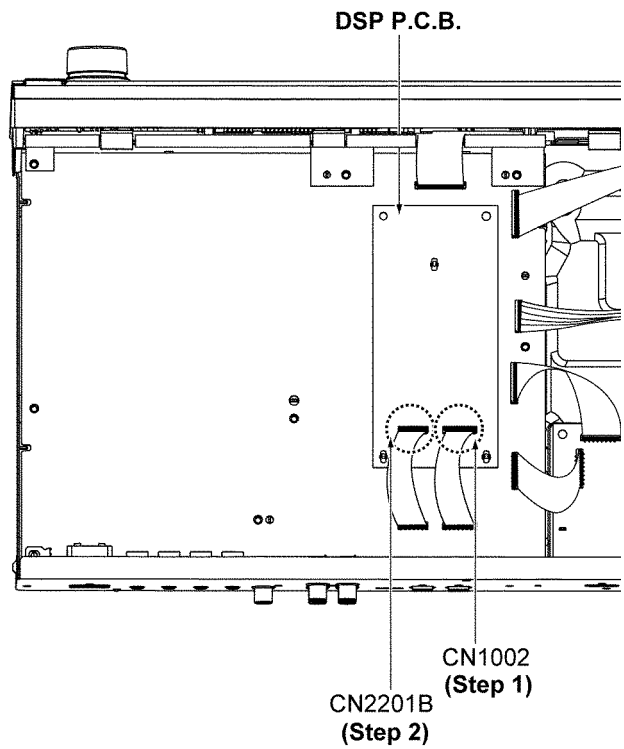
- Step 7 :** Remove 2 screws.
Caution : During assembling, ensure the HDMI P.C.B. is seated properly on the locators of the HDMI Support Chassis.

10.4.3. Disassembly of DSP P.C.B.

- Follow the (Step 1) - (Step 3) of Item 10.4.1.



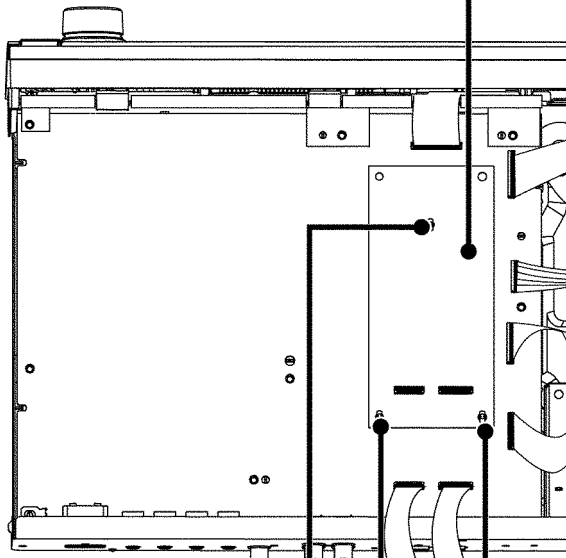
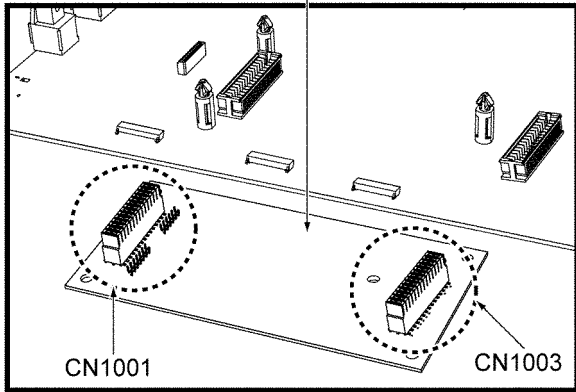
Step 8 : Lift up to remove the HDMI P.C.B. from the HDMI Support Chassis.



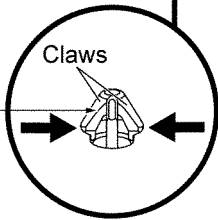
Step 1 : Detach the 14P FFC at the connector (CN1002) on the DSP P.C.B.

Step 2 : Detach the 12P FFC at the connector (CN2201B) on the DSP P.C.B.

(Step 4)
DSP P.C.B. (Reverse side)



(Step 3)
P.C.B. Support

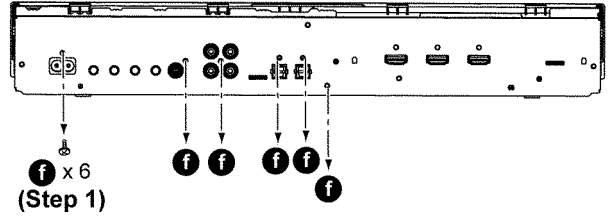


- Step 3 :** Release the claws of the P.C.B. Support.
Step 4 : Remove the DSP P.C.B.
Caution : During assembling, ensure the DSP P.C.B. is seated properly.

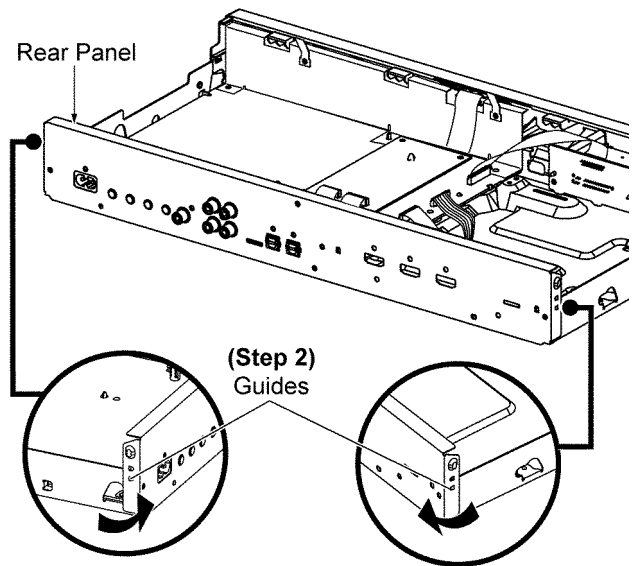
10.4.4. Disassembly of Rear Panel

- Follow the (Step 1) - (Step 3) of Item 10.4.1.
- Follow the (Step 1) - (Step 6) of Item 10.4.2

(Rear View)



Step 1 : Remove 6 screws.

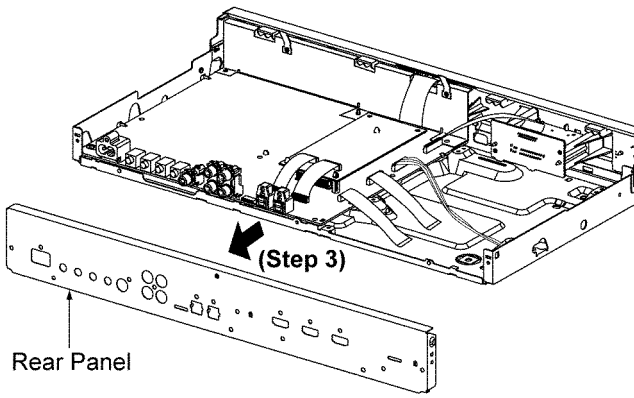


Step 2 : Gently detach both sides of the Rear Panel.
Caution : Ensure the Rear Panel is fitted properly during assembling.

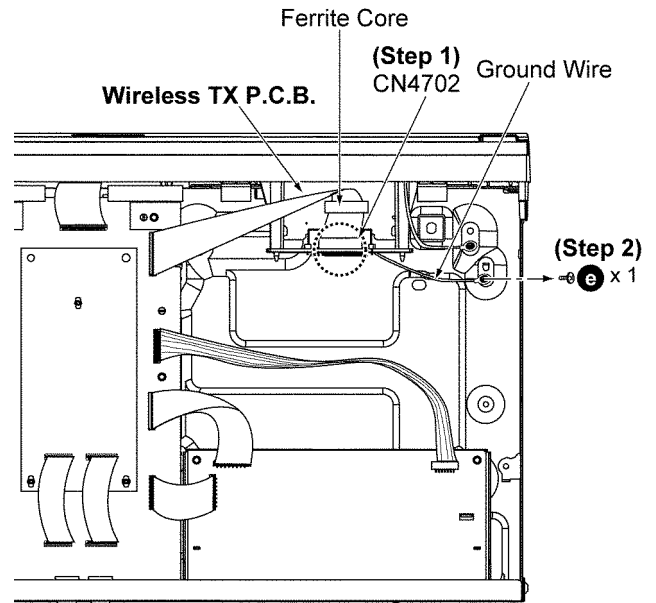
10.4.5. Disassembly of Wireless TX P.C.B. and TX Module P.C.B.

- Follow the (Step 1) - (Step 3) of Item 10.4.1.

Caution : TX Module P.C.B. is replaced as a module. Pairing is necessary after replacement



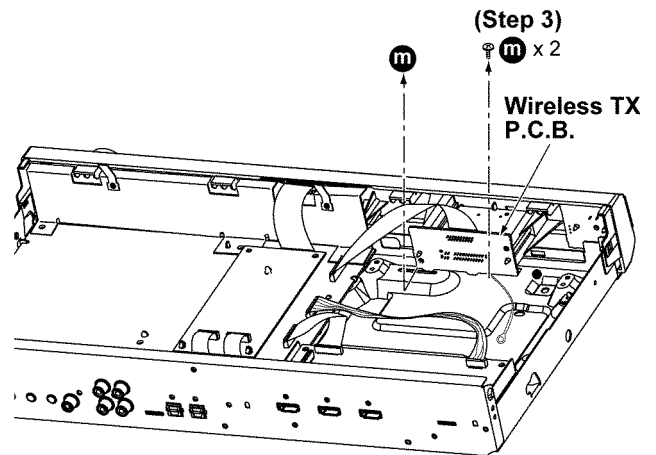
Step 3 : Remove the Rear Panel.



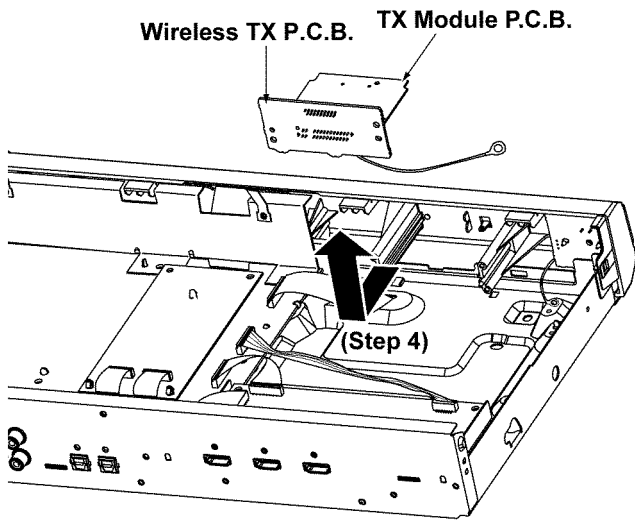
Step 1 : Detach 9P FFC at the connector (CN4702) on the Wireless TX P.C.B.

Step 2 : Remove 1 screw.

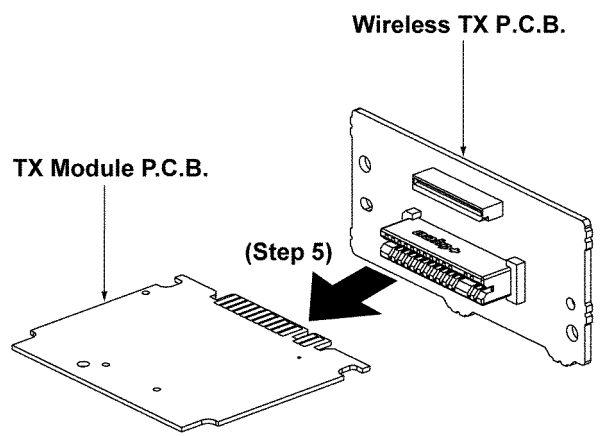
Caution : Do not misplace the Ferrite Core when detaching the FFC. Replace if damaged.



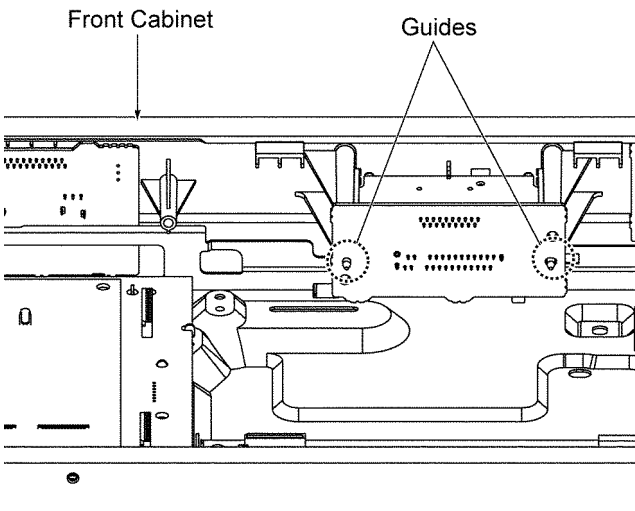
Step 3 : Remove 2 screws.



Step 4 : Remove the Wireless TX P.C.B. and the TX Module P.C.B. as arrow shown.



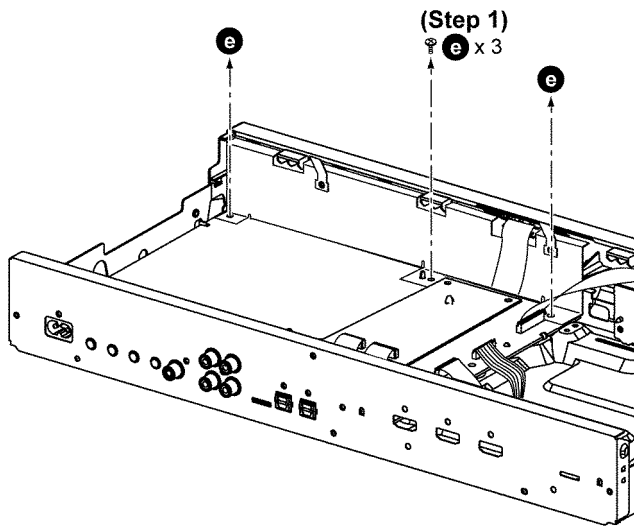
Step 5 : Remove the TX Module P.C.B. from the Wireless TX P.C.B.



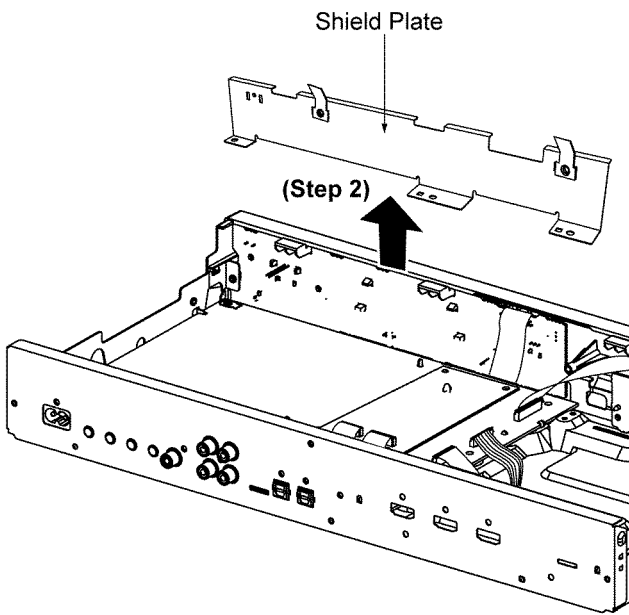
Caution : Ensure that the Wireless TX P.C.B. and TX Module P.C.B. are properly fixed onto the Front Cabinet.

10.4.6. Disassembly of Main P.C.B.

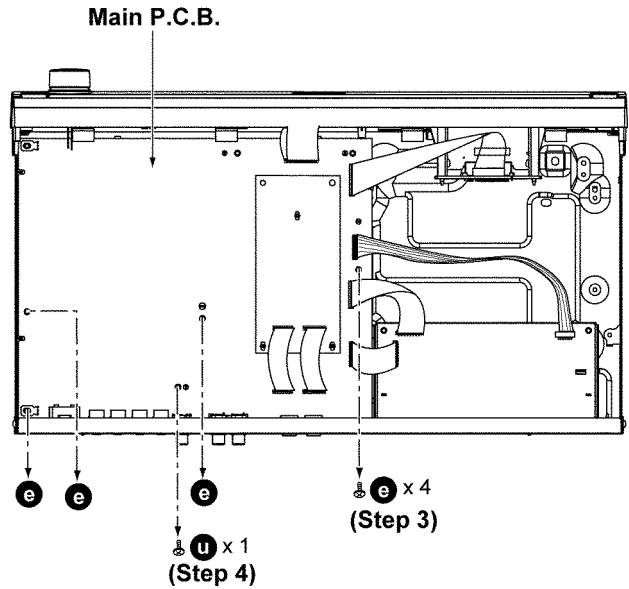
- Follow the (Step 1) - (Step 3) of Item 10.4.1.
- Follow the (Step 1) of Item 10.4.4.



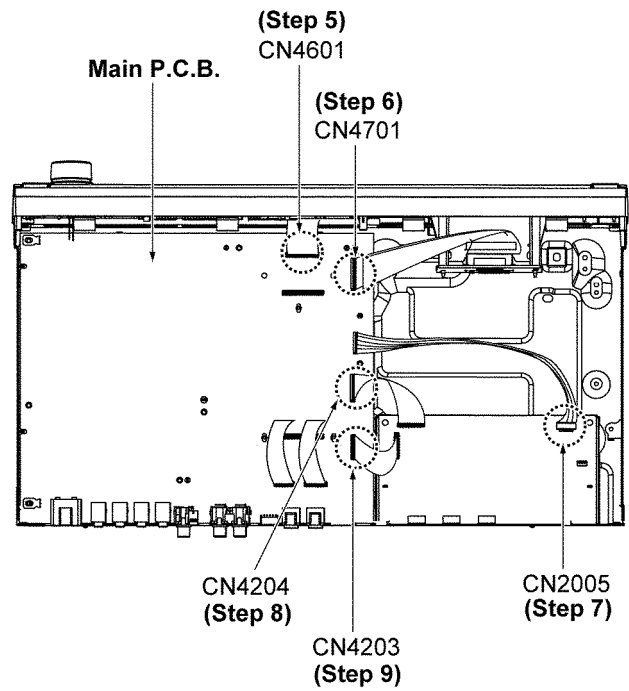
Step 1 : Remove 3 screws.



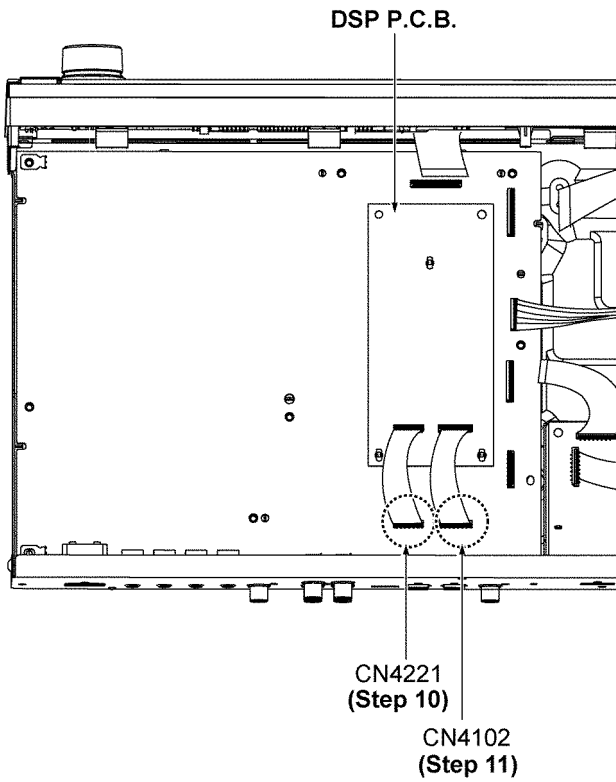
Step 2 : Remove the Shield Plate.



Step 3 : Remove 4 screws.
Step 4 : Remove 1 screw.

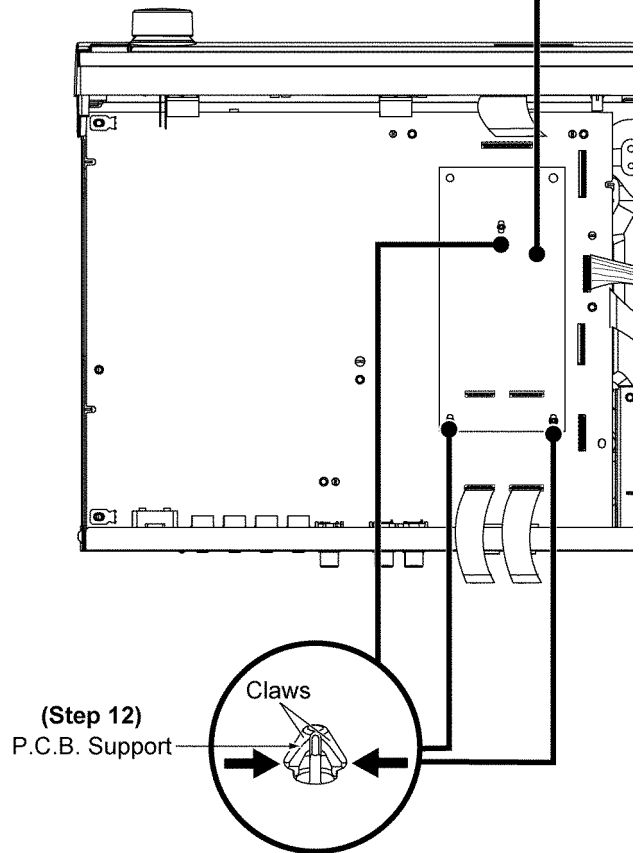
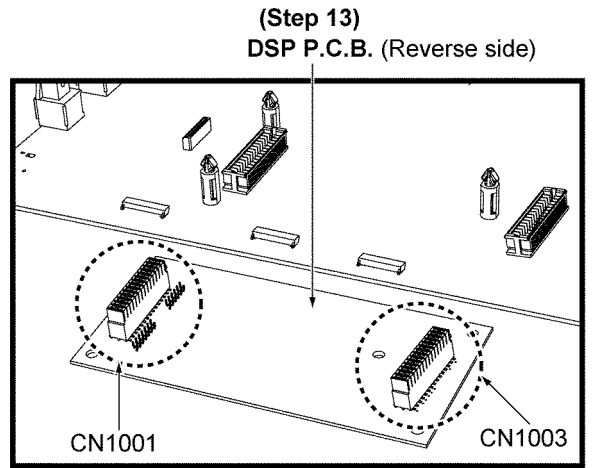


Step 5 : Detach 22P FFC at the connector (CN4601) on the Main P.C.B.
Step 6 : Detach 19P FFC at the connector (CN4701) on the Main P.C.B.
Step 7 : Detach 7P cable at the connector (CN2005) on the HDMI P.C.B.
Step 8 : Detach 16P FFC at the connector (CN4204) on the Main P.C.B.
Step 9 : Detach 15P FFC at the connector (CN4203) on the Main P.C.B.



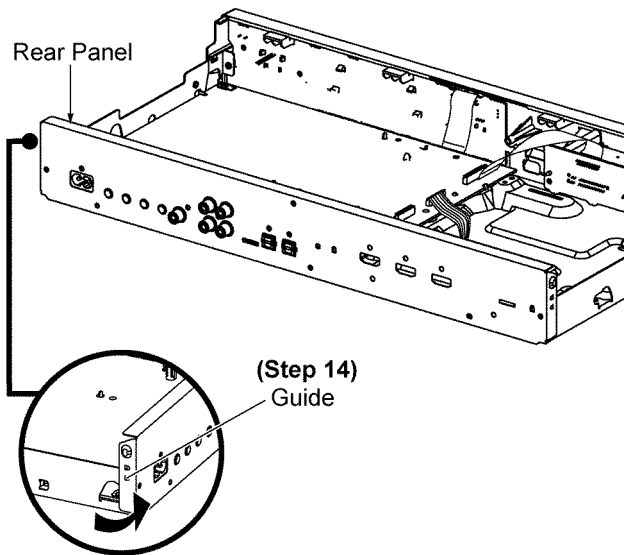
Step 10 : Detach 12P FFC at the connector (CN4221) on the Main P.C.B.

Step 11 : Detach 14P FFC at the connector (CN4102) on the Main P.C.B.

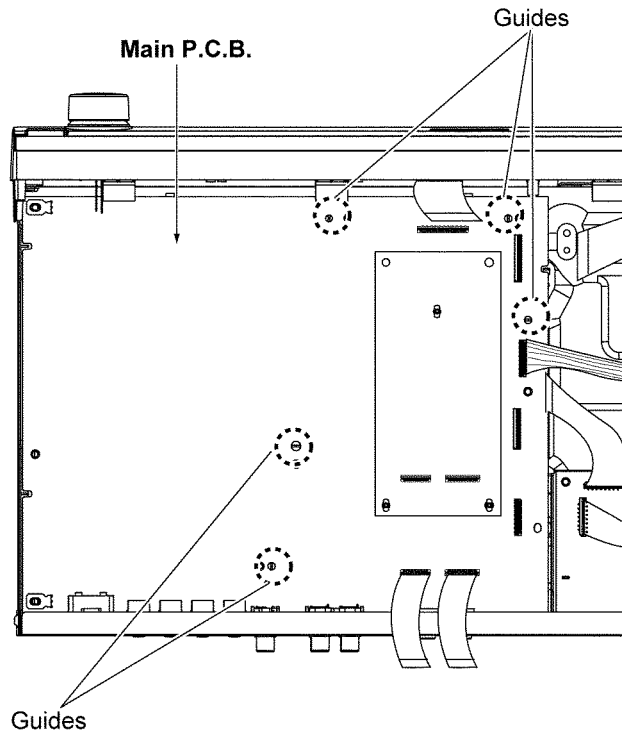


Step 12 : Release the claws of the P.C.B. Support.

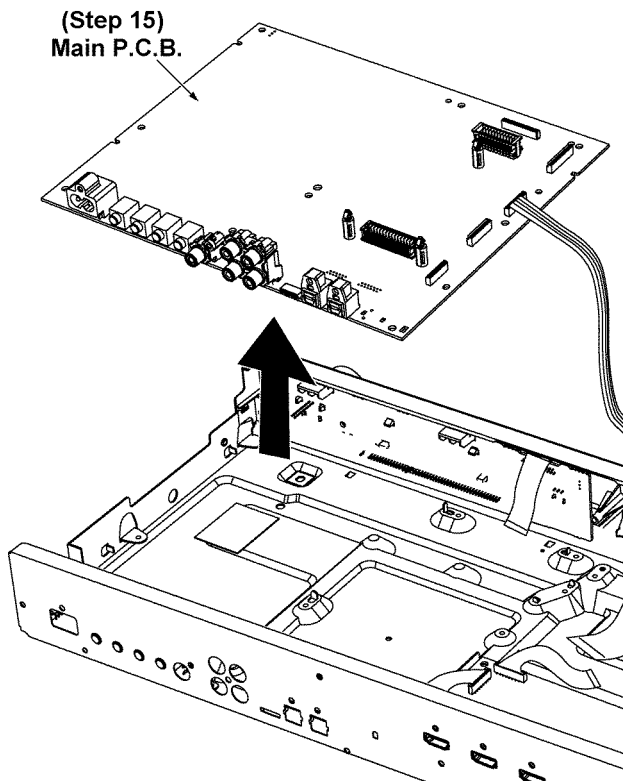
Step 13 : Remove the DSP P.C.B.



Step 14 : Gently detach one side of the Rear Panel.
Caution : Ensure the Rear Panel is fitted properly during assembling.



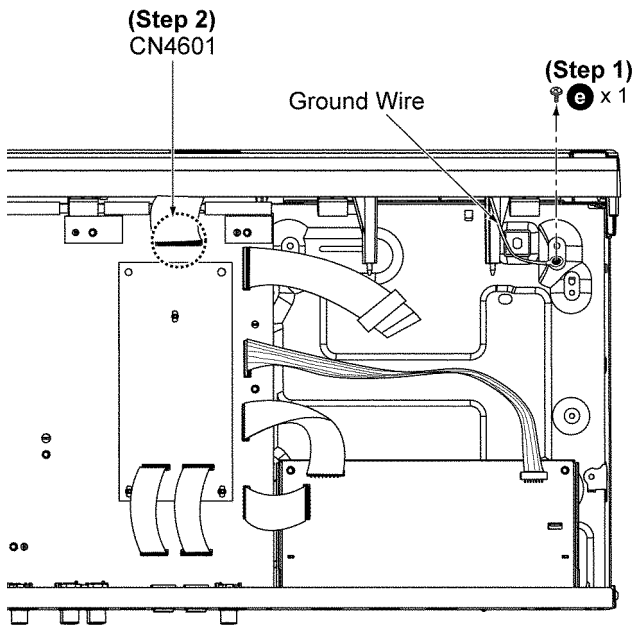
Caution : Ensure that the Main P.C.B. is fitted properly during assembling.



Step 15 : Remove the Main P.C.B.

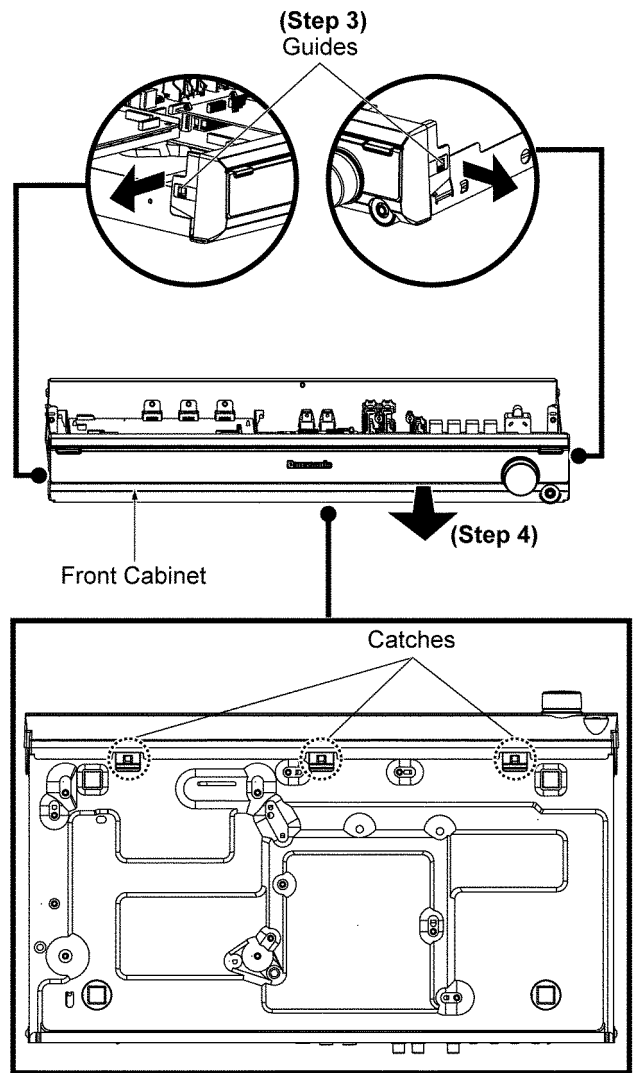
10.4.7. Disassembly of Front Cabinet

- Follow the (Step 1) - (Step 3) of Item 10.4.1.
- Follow the (Step 1) - (Step 4) of Item 10.4.5.



Step 1 : Remove 1 screw.

Step 2 : Detach 22P FFC at the connector (CN4601) on the Main P.C.B.



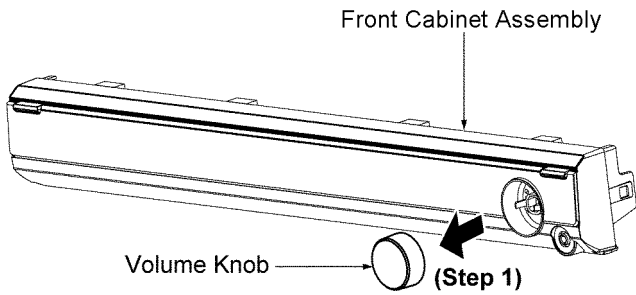
Main Unit (Bottom view)

Step 3 : Lift both sides of the Front Cabinet to release from the guides and release the 3 catches at the bottom of the Main Unit.

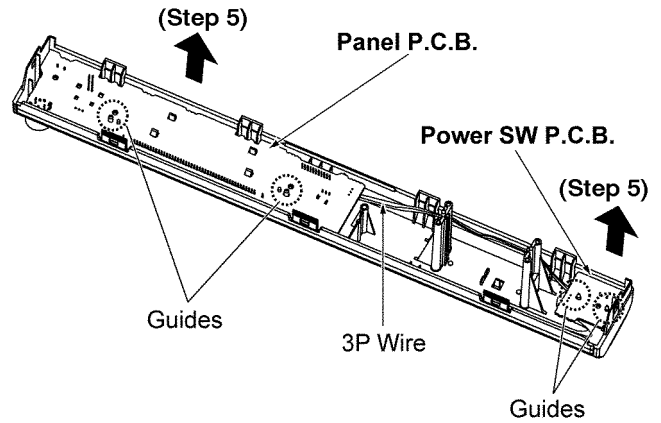
Step 4 : Remove the Front Cabinet.

10.4.8. Disassembly of Panel P.C.B. and Power SW P.C.B.

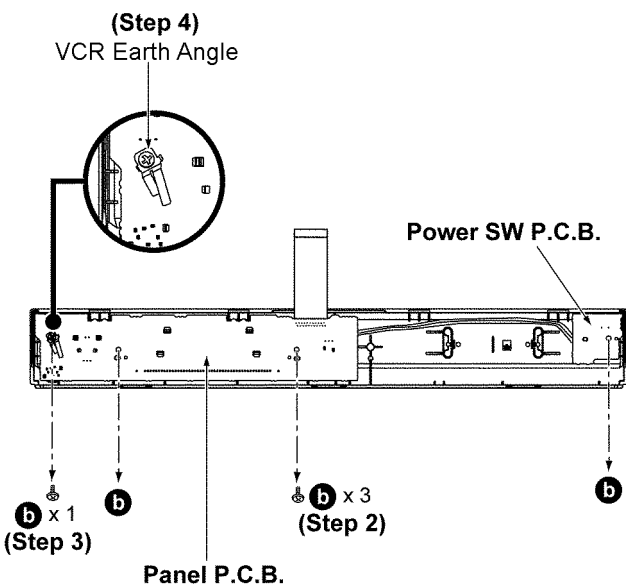
- Follow the (Step 1) - (Step 3) of Item 10.4.1.
- Follow the (Step 1) - (Step 4) of Item 10.4.5.
- Follow the (Step 1) - (Step 4) of Item 10.4.7.



Step 1 : Remove the Volume Knob.



Step 5 : Remove the Panel P.C.B. and Power SW P.C.B.
Caution : Ensure that the Power SW P.C.B. and Panel P.C.B. are fitted properly during assembling.

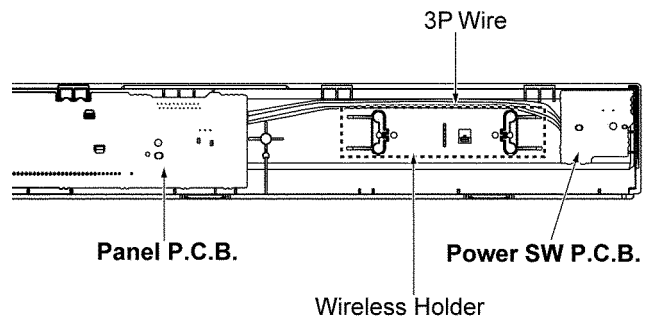


Step 2 : Remove 3 screws.

Step 3 : Remove 1 screw.

Step 4 : Remove the VCR earth angle.

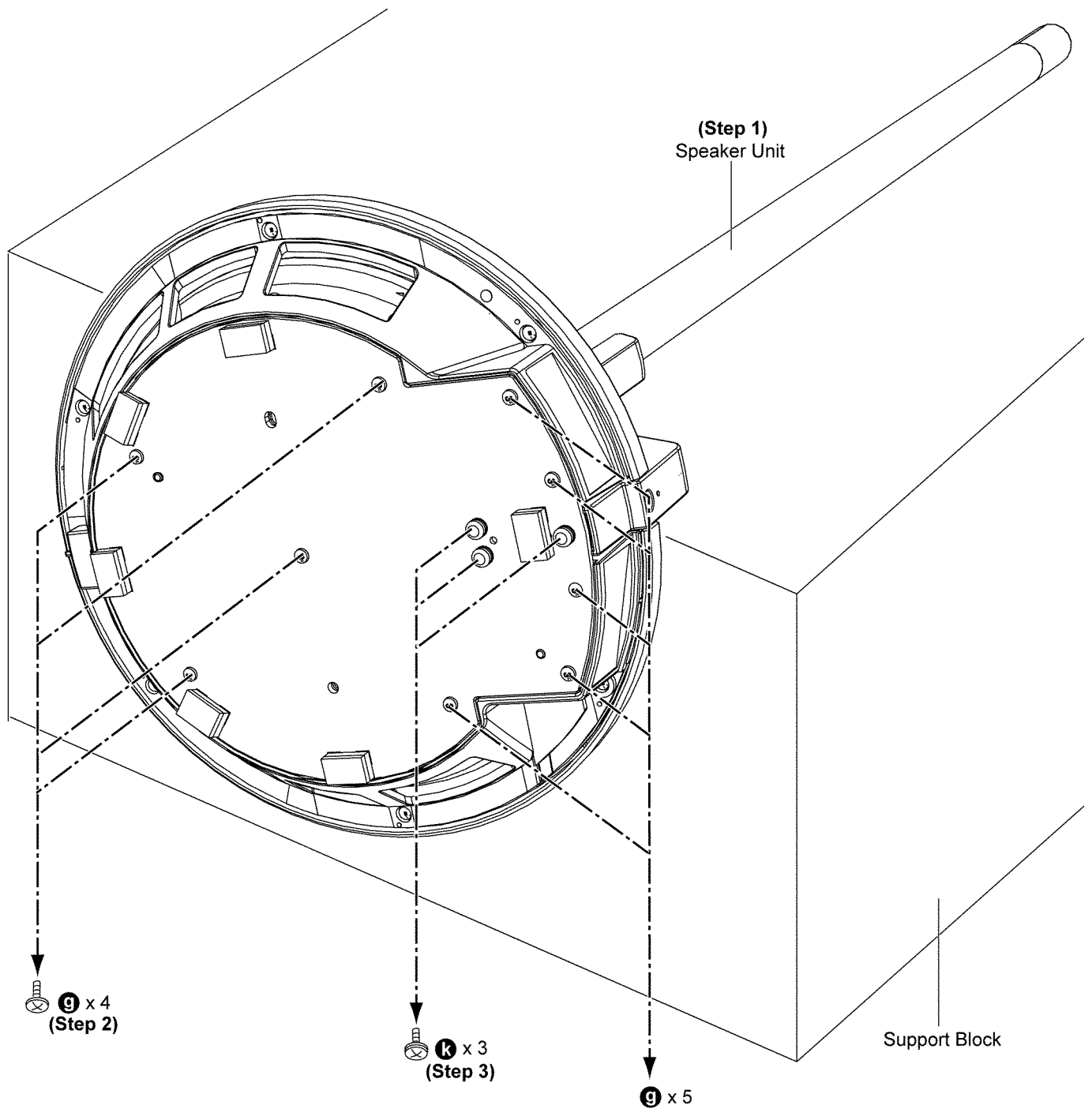
Caution : Keep the VCR earth angle in safe place for assembling purpose.



Note : During assembling of the Power SW P.C.B. and Panel P.C.B., ensure that the 3P wire is positioned above the Wireless Holder as diagram shown.

10.5. Speaker Unit (SB-ZT1)

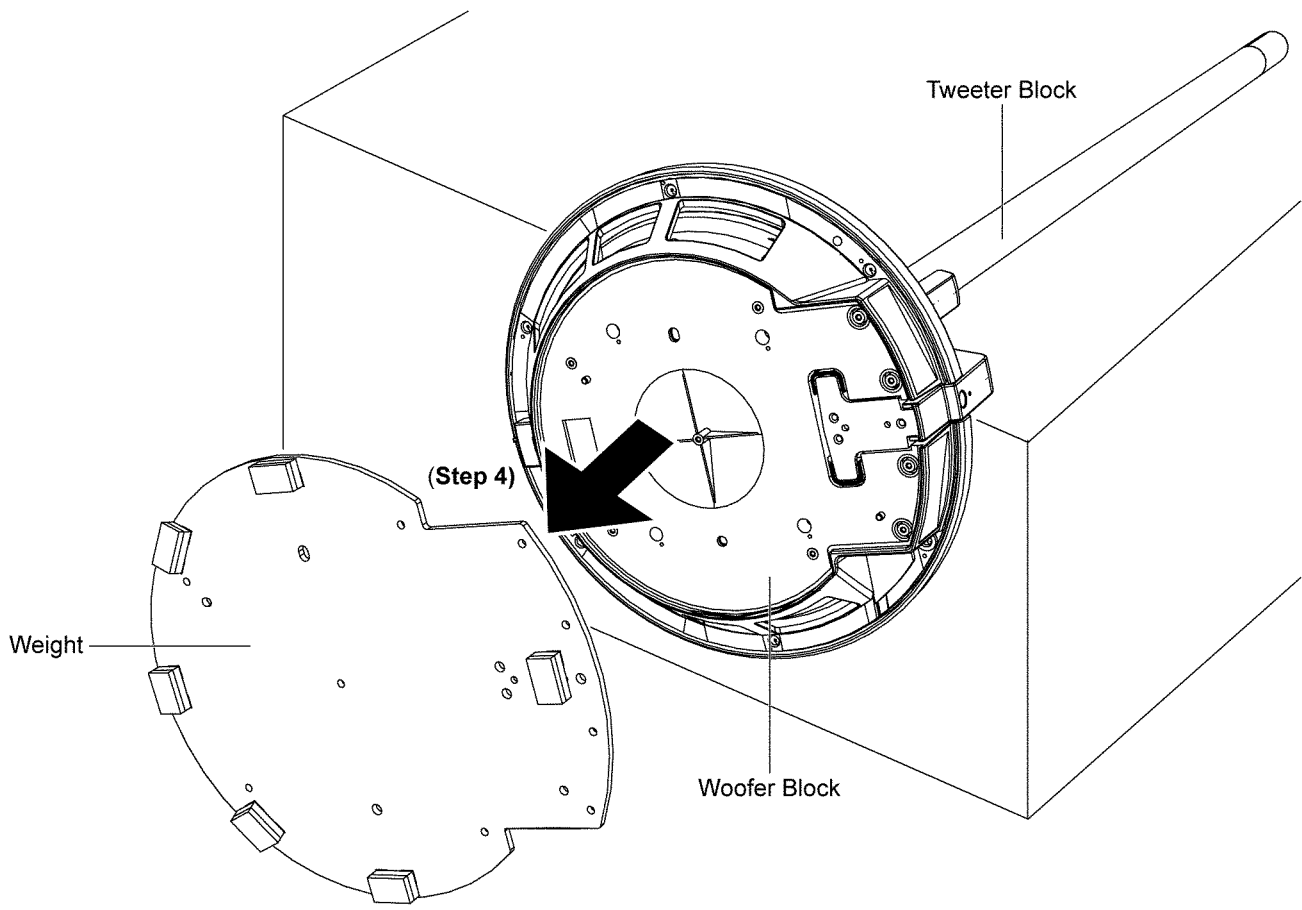
10.5.1. Disassembly of Woofer Block



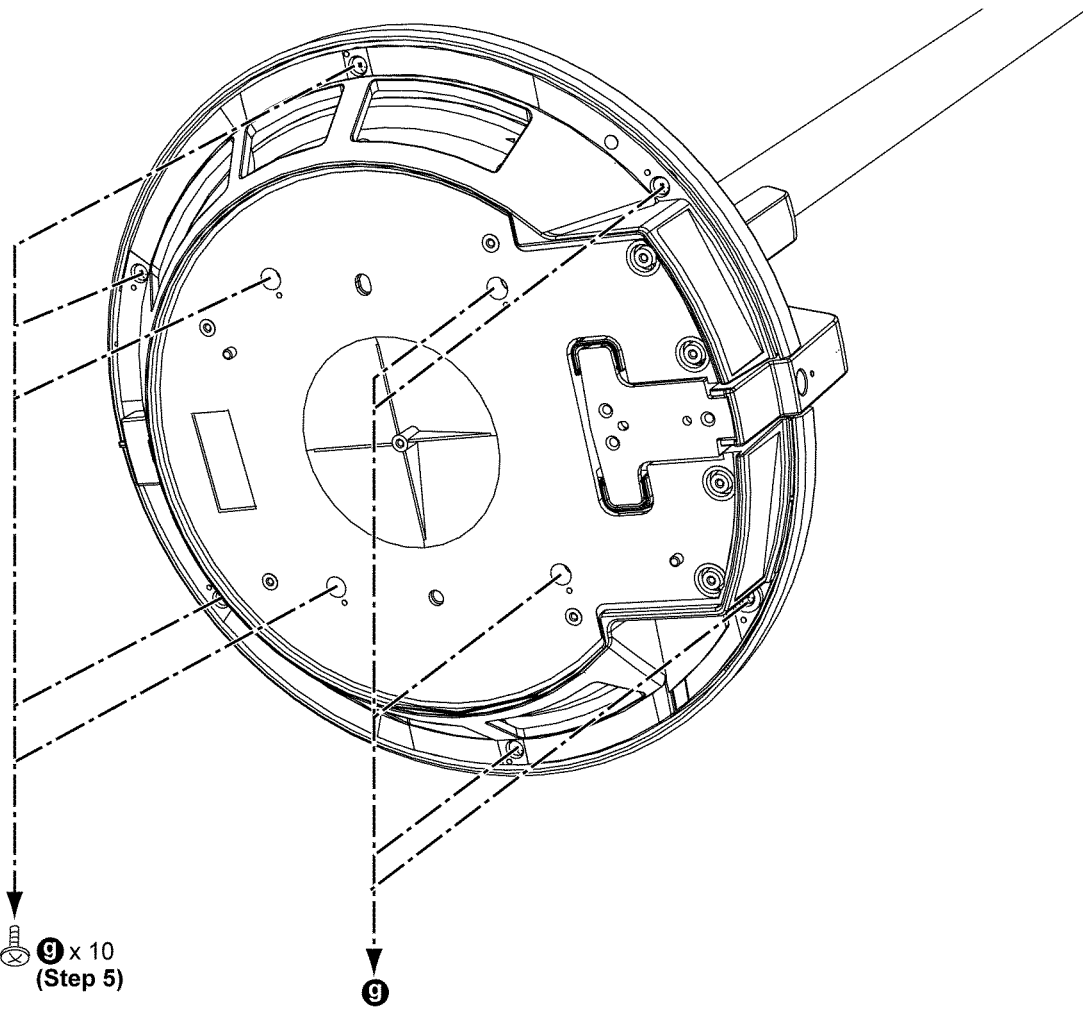
Step 1 : Lay the Speaker Unit on a support block as shown.

Step 2 : Remove 9 screws.

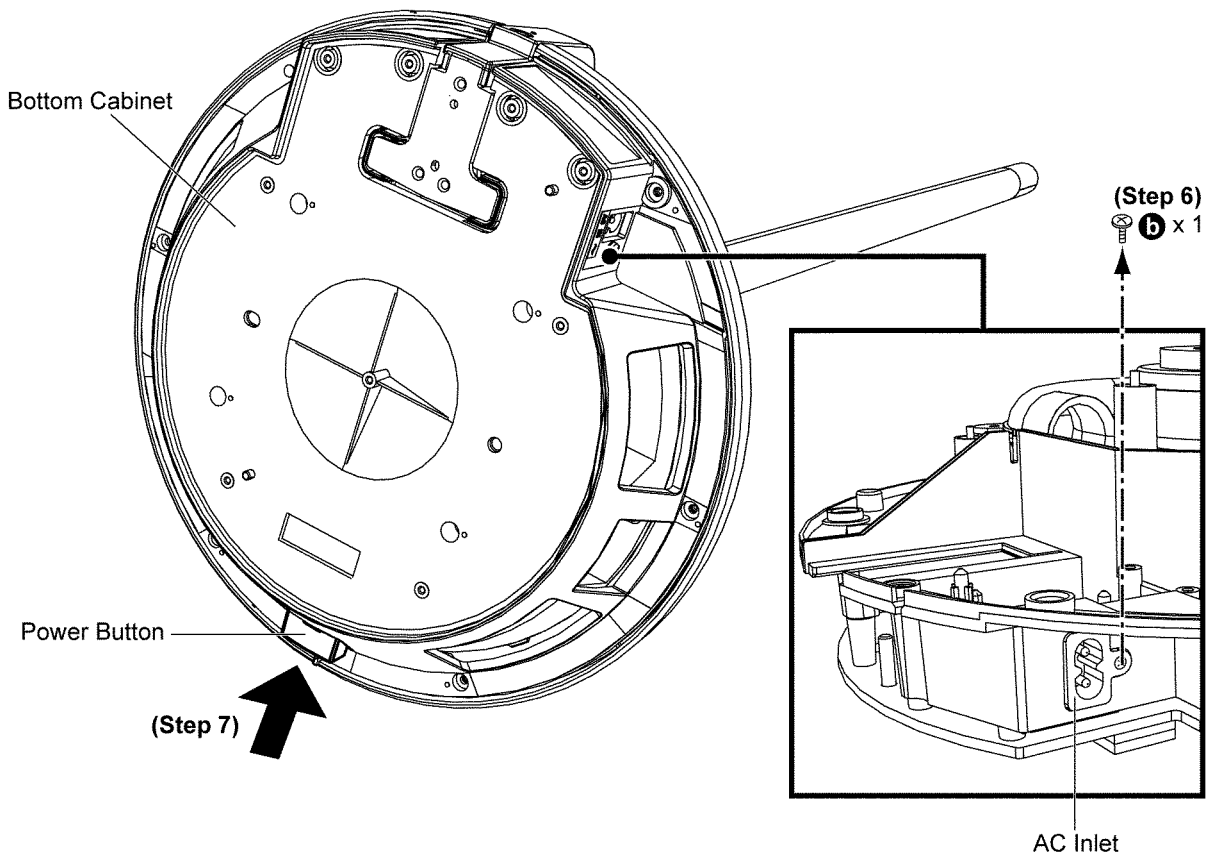
Step 3 : Remove 3 screws.



Step 4 : Remove the Weight.



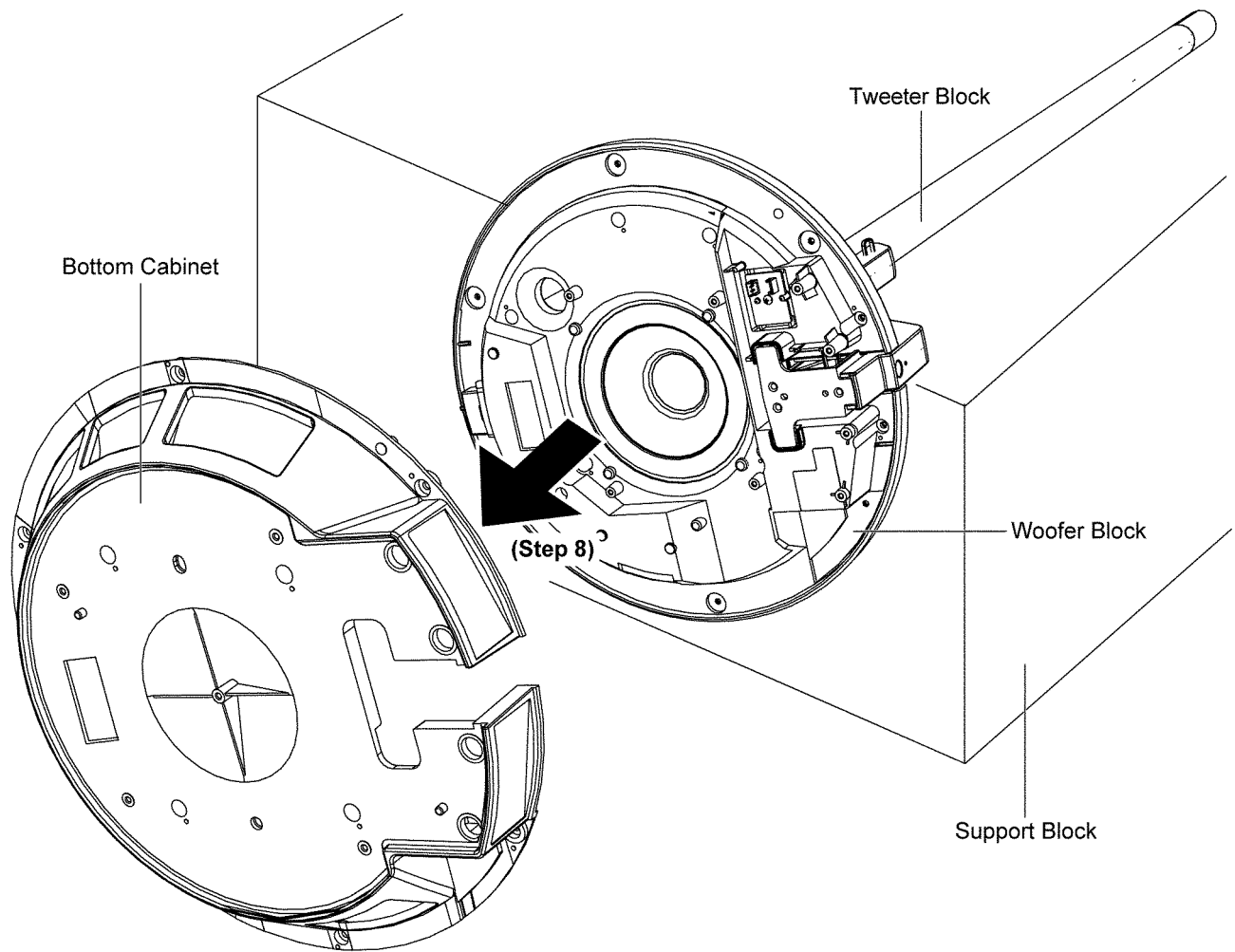
Step 5 : Remove 10 screws.



Step 6 : Remove 1 screw.

Step 7 : Push Power Button to “On” position.

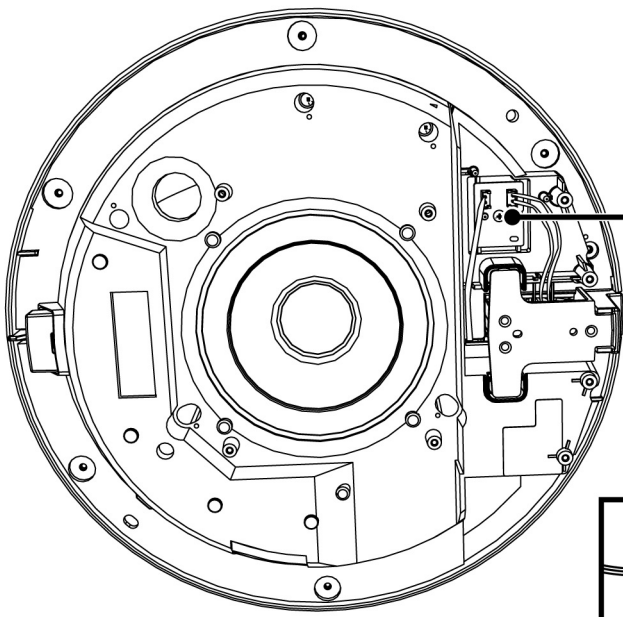
Caution : Ensure the Power Button is push back to “Off” position when disassembly of Bottom Cabinet is completed.



Step 8 : Remove the Bottom Cabinet.

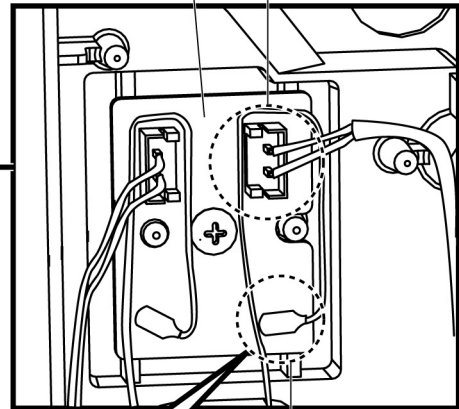
Caution : Support by holding onto the Woofer Block firmly after removal of the Bottom Cabinet to prevent it being detached from the Tweeter Block accidentally.

Woofer Block
(Bottom view)



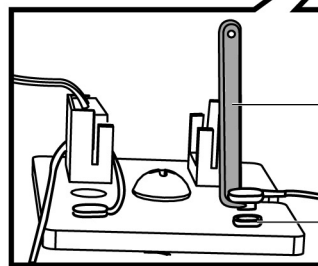
Extent P.C.B.

(Step 9)
CN6052



ET6002

(Step 10)
Jig (RFKZ0535)

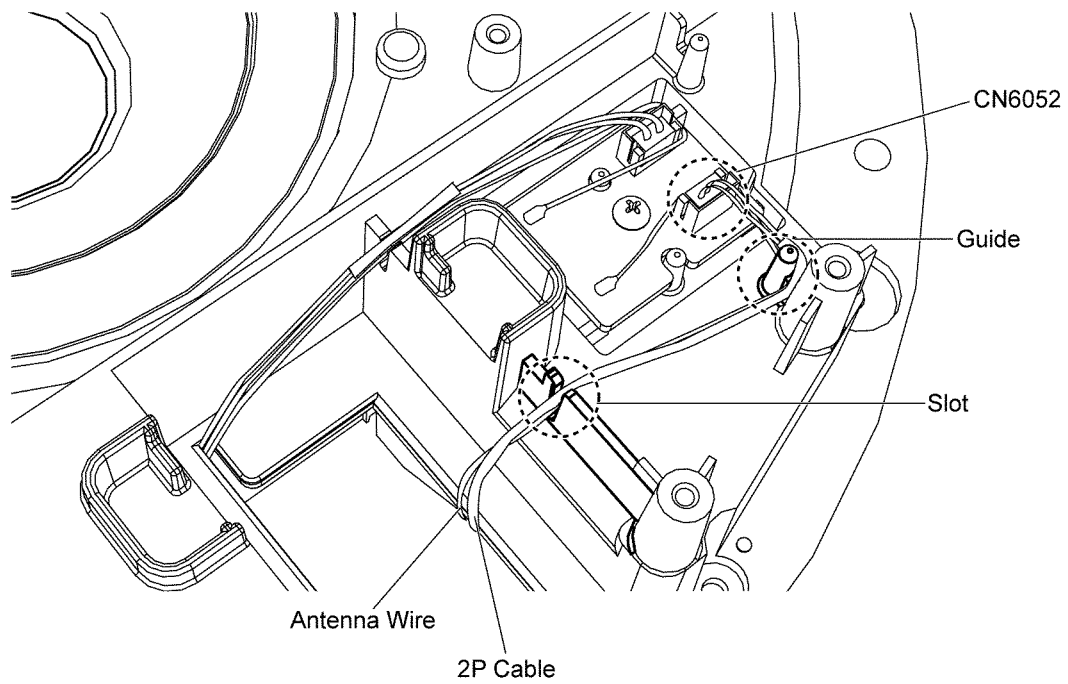


ET6002

Step 9 : Detach 2P cable at the connector (CN6052) on the Extent P.C.B.

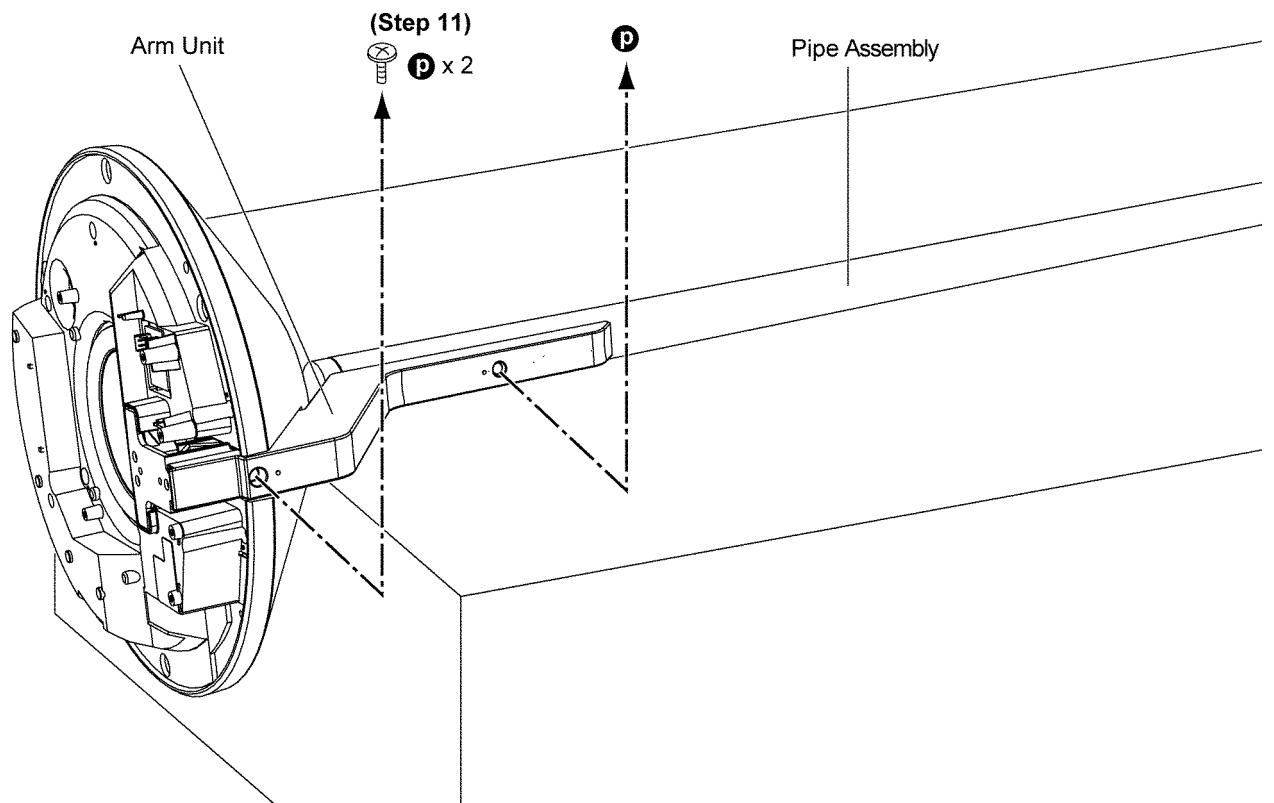
Step 10 : Using a Jig (RFKZ0535), hook on to detach antenna wire at the RF connector (ET6002) on the Extent P.C.B.

Caution : The RF connector (ET6002) is fragile, take extra care not to damage it during disassembling.

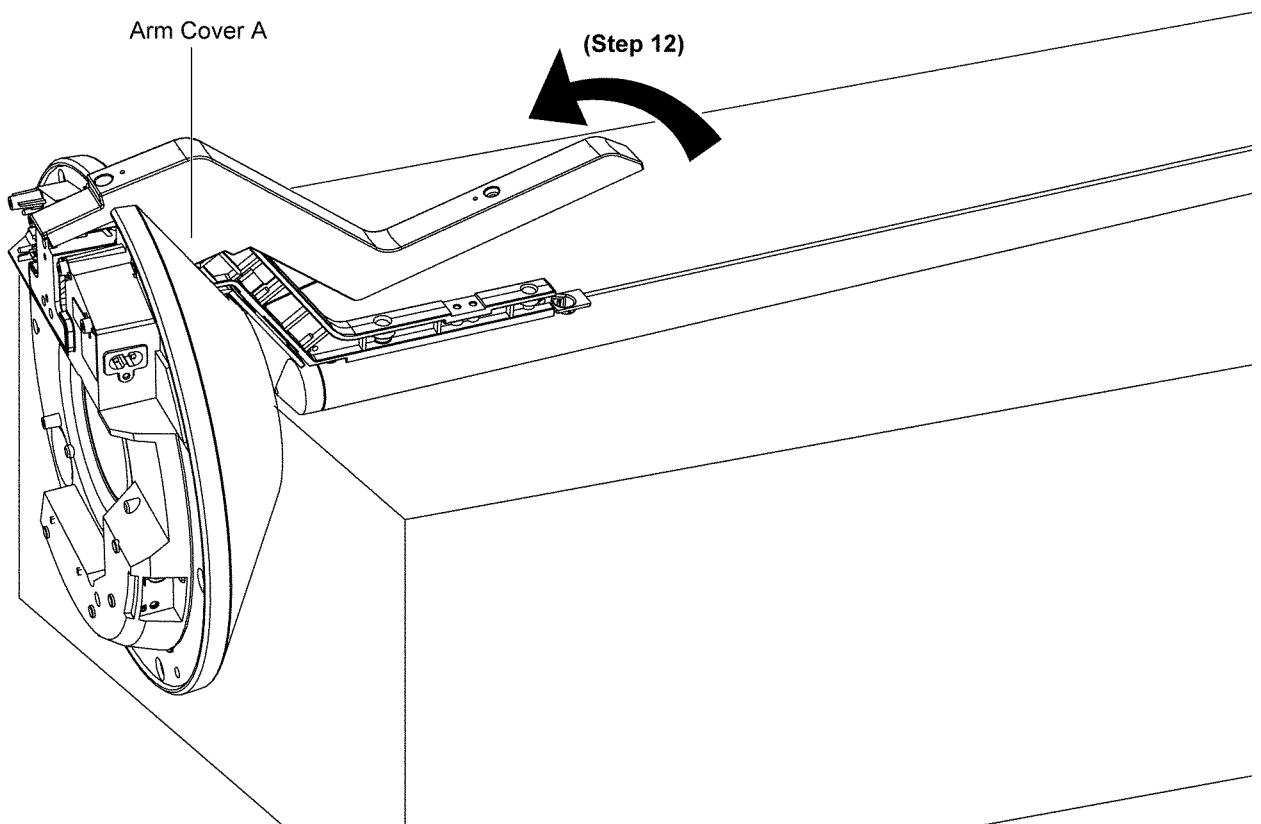


Caution 1 : During assembly, position the antenna wire around the connector (CN6052) and the guide and place it into the slot.

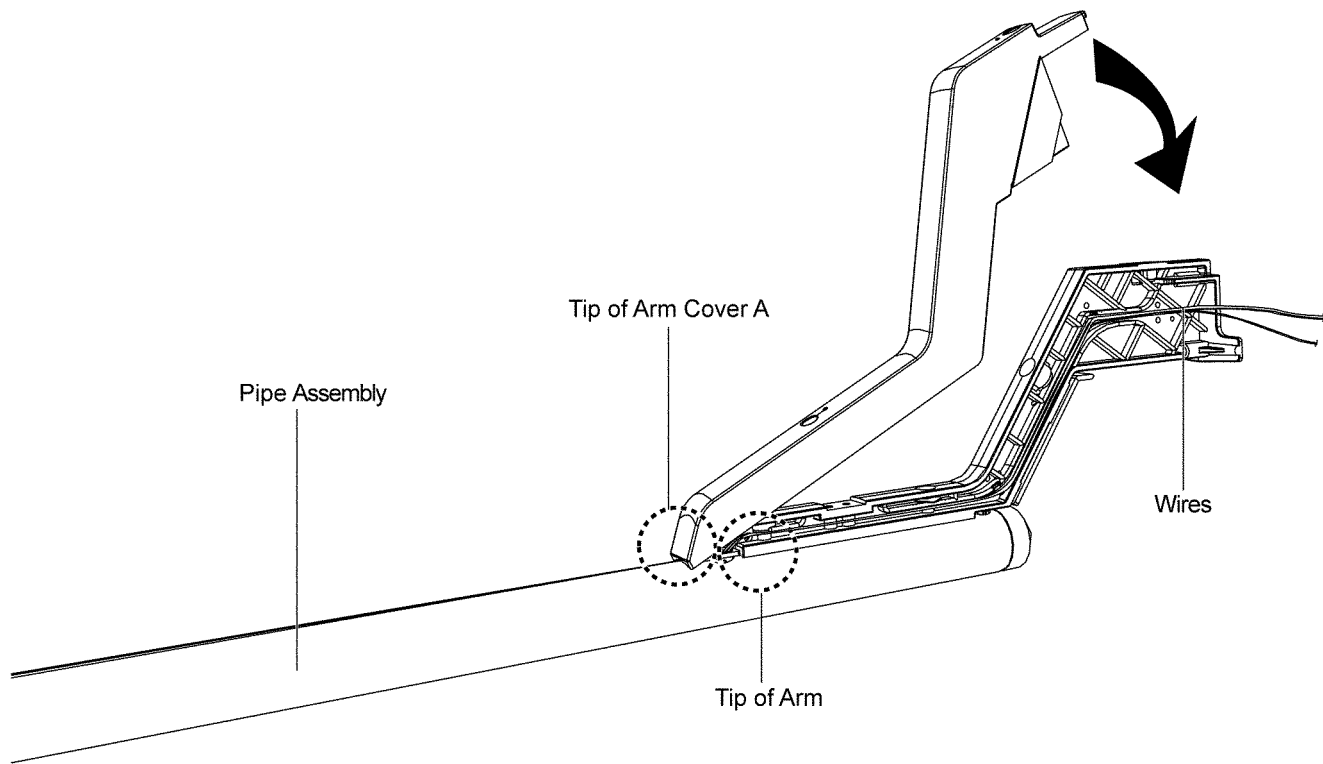
Caution 2 : Position the 2P cable around the guide and place it into the slot above the antenna wire.



Step 11 : Remove 2 screws.

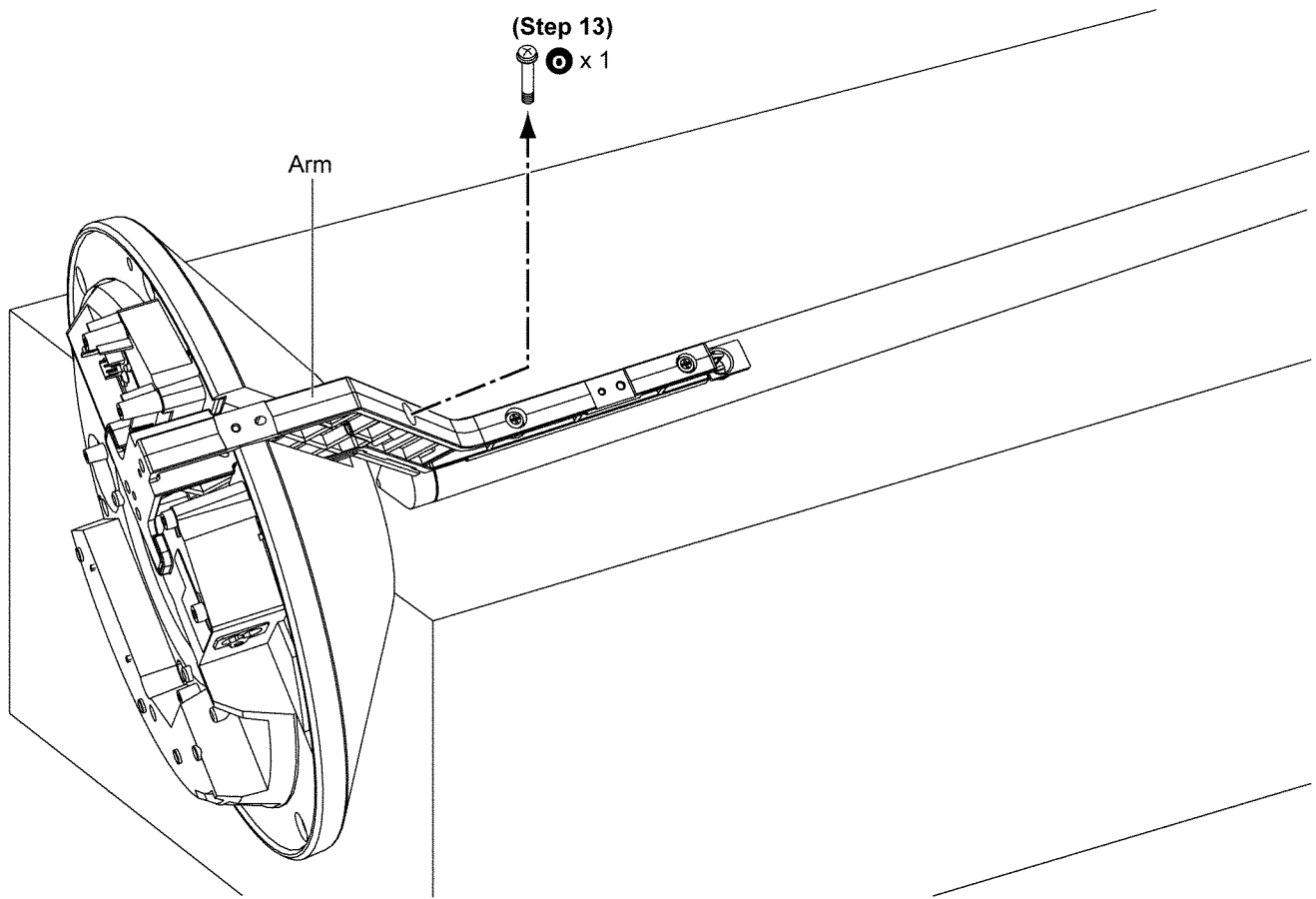


Step 12 : Lift up to remove Arm Cover A.

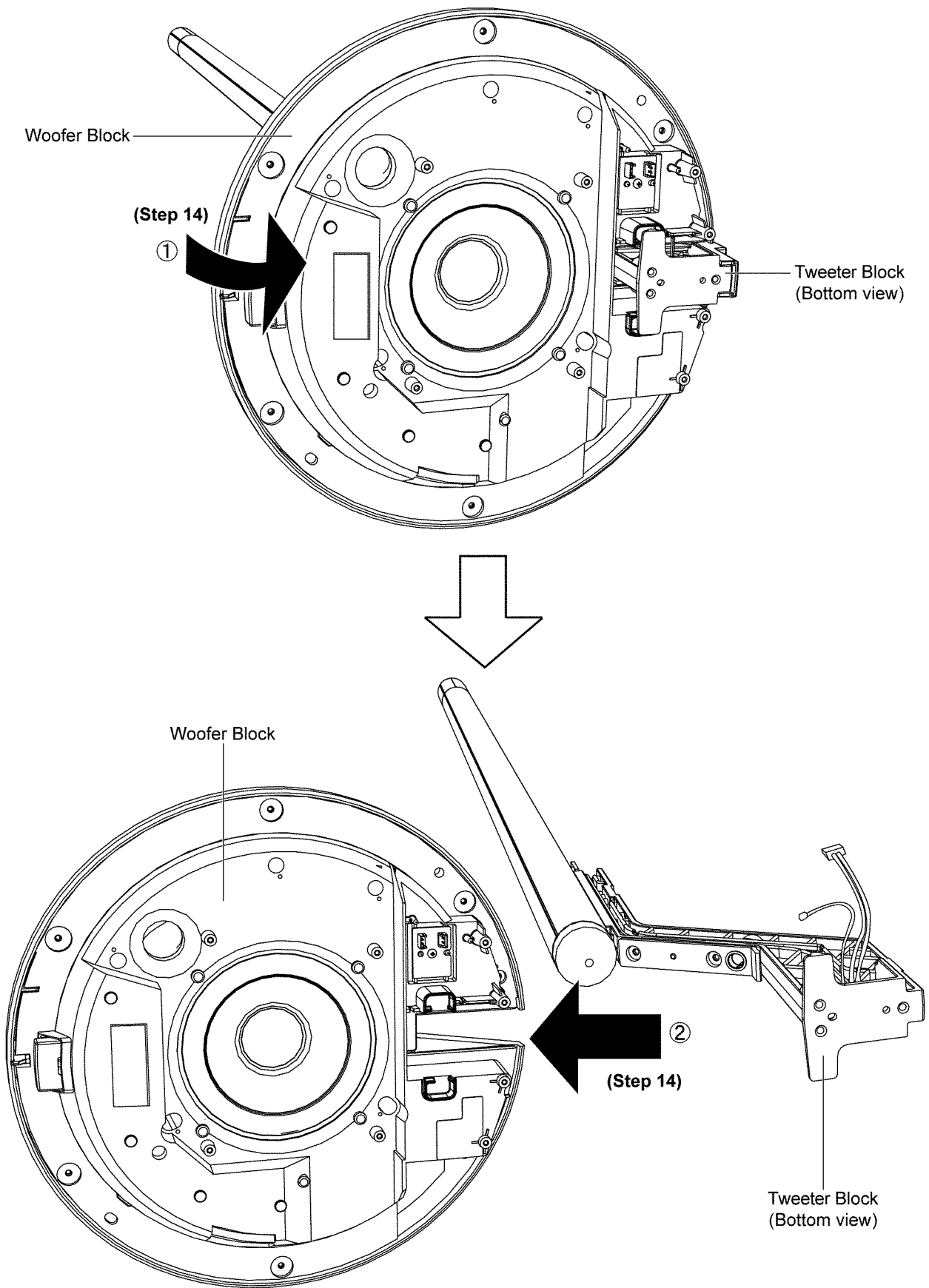


Caution 1 : Align the Tip of Arm Cover A to the Tip of the Arm during assembly of Arm Cover A.

Caution 2 : Ensure the wires that are clamped onto the Arm are kept within Arm Cover A when assembling of Arm Cover A.



Step 13 : Remove 1 screw.

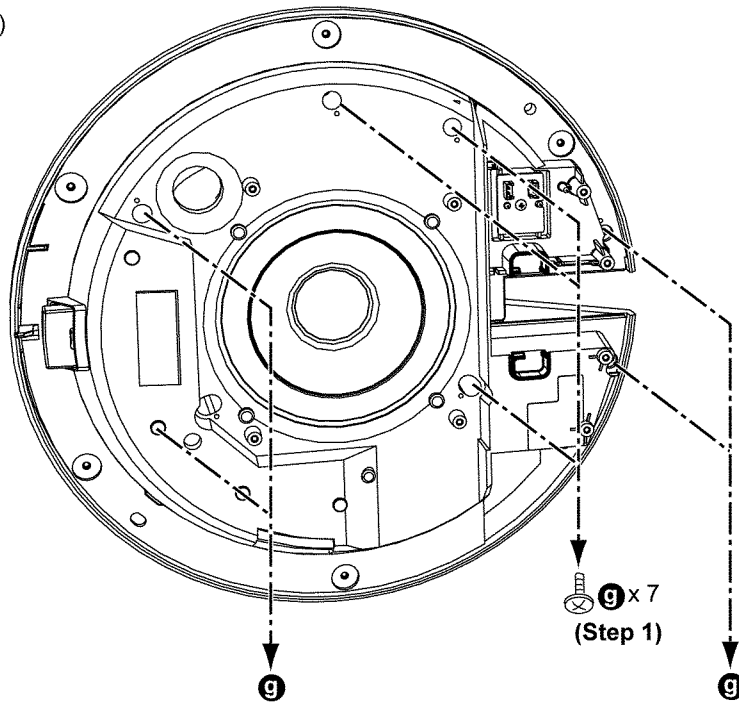


Step 14 : Tilt the Woofer Block in order as arrows shown to detach it from the Tweeter Block.

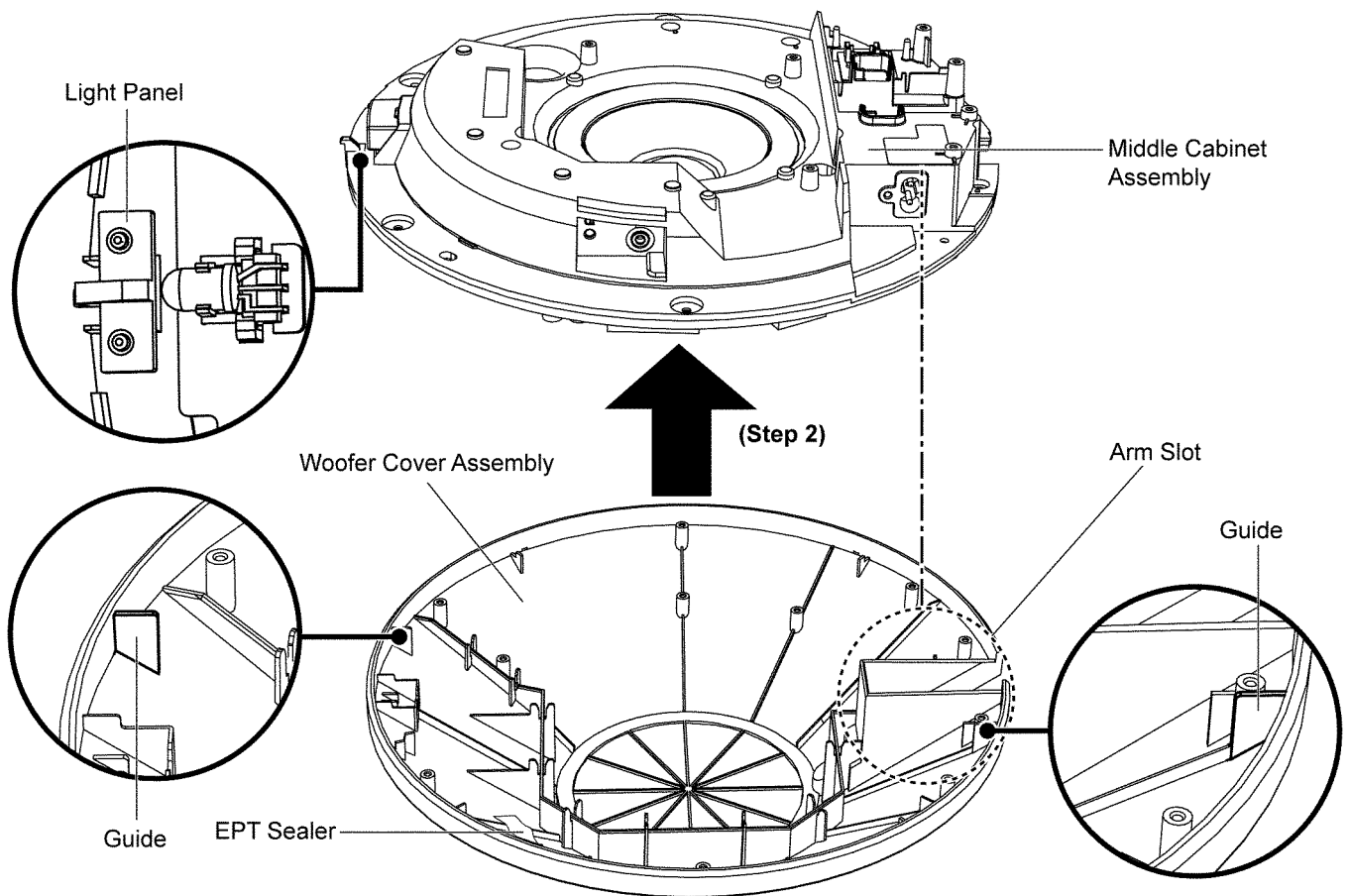
10.5.2. Disassembly of Middle Cabinet Assembly

- Follow the (Step 1) - (Step 14) of item 10.5.1.

Woofer Block (Bottom view)



Step 1 : Remove 7 screws.



Step 2 : Lift up to remove Middle Cabinet Assembly from the Woofers Cover Assembly.

Caution 1 : Light Panel easily drop off, take extra care not to misplace it.

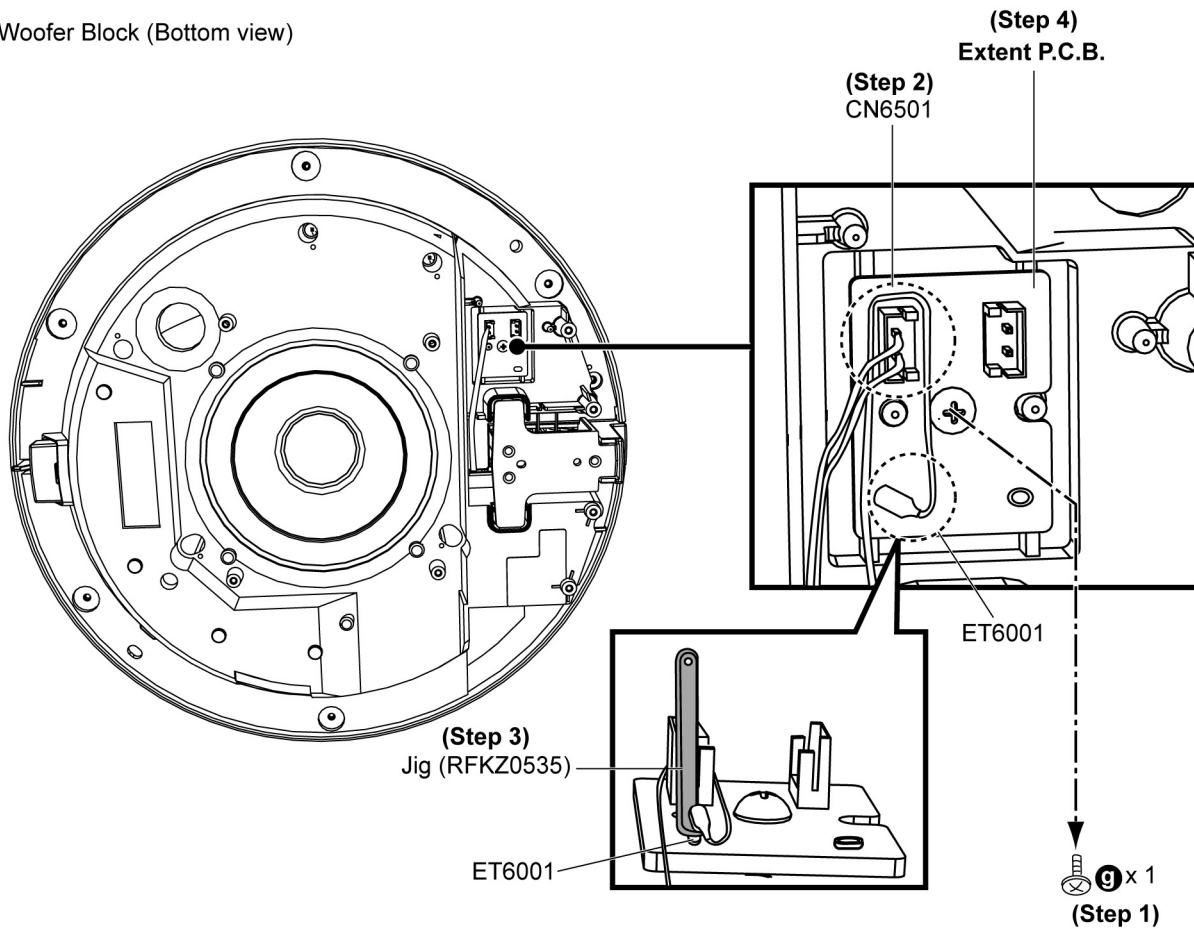
Caution 2 : Replace the EPT Sealer if it is torn.

Caution 3 : Ensure Middle Cabinet Assembly is properly fitted onto the arm slot and guides during assembling.

10.5.3. Disassembly of Extent P.C.B.

- Follow the (Step 1) - (Step 10) of item 10.5.1.

Woofer Block (Bottom view)



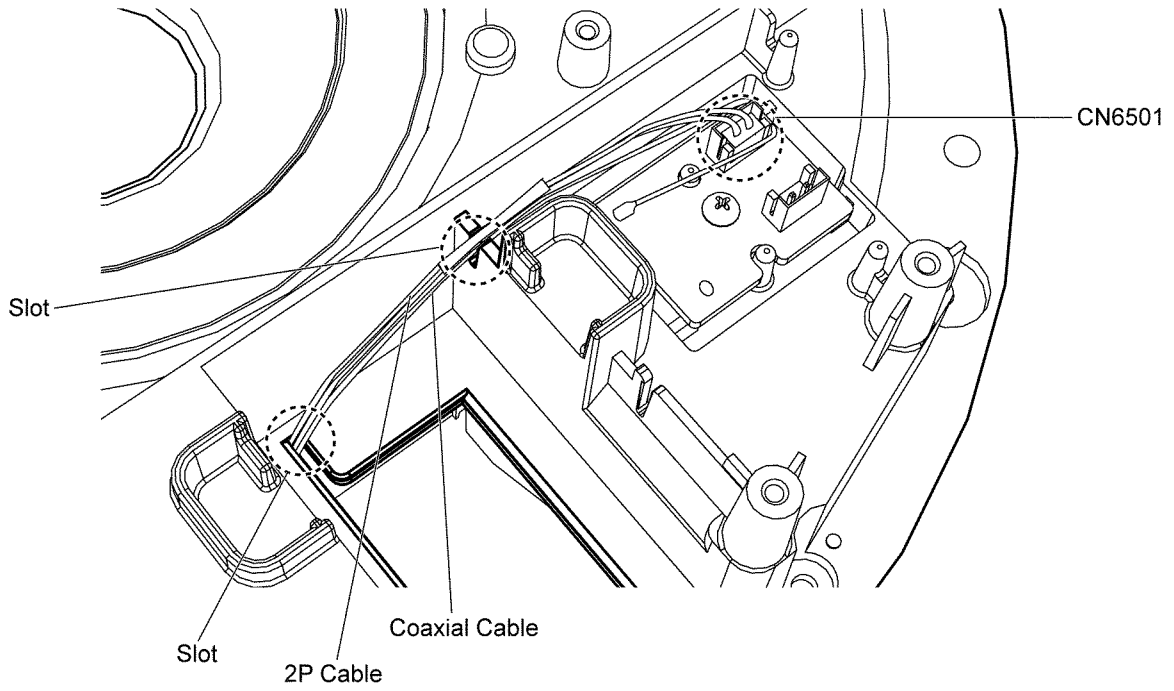
Step 1 : Remove 1 screw.

Step 2 : Detach 2P cable at the connector (CN6051) on the Extent P.C.B.

Step 3 : Using a Jig (RFKZ0535), hook on to detach coaxial cable at the RF connector (ET6001) on the Extent P.C.B. as shown.

Step 4 : Remove the Extent P.C.B.

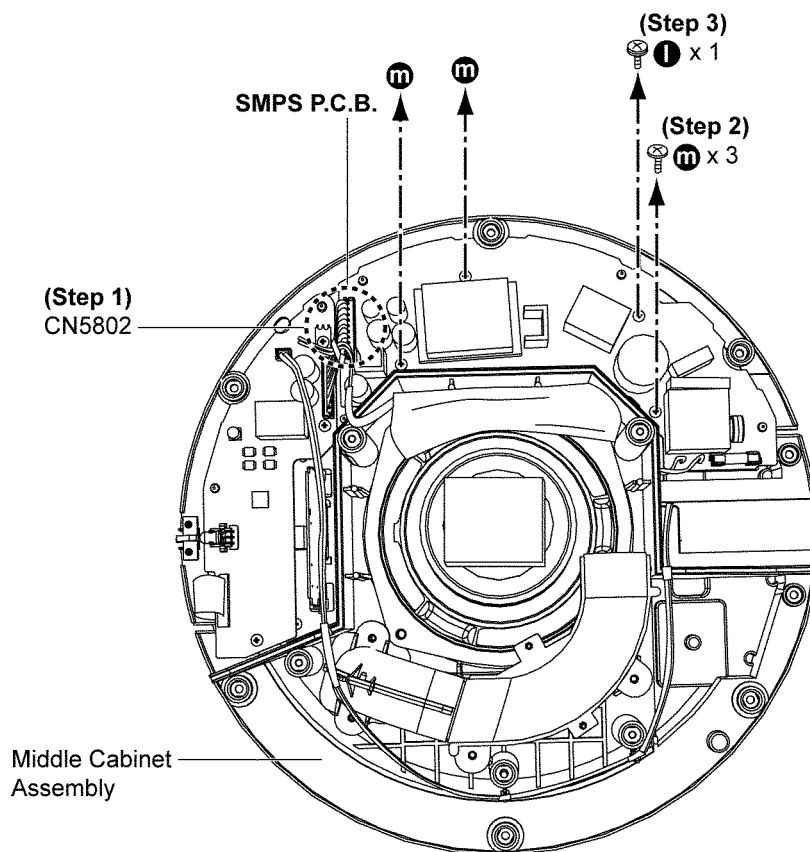
Caution : The RF connector (ET6001) is fragile, take extra care not to damage it during disassembling.



Caution 1 : During assembly, position the coaxial cable around the connector (CN6051) and place it into both slots.
Caution 2 : Position the 2P cable into both slot above the coaxial cable.

10.5.4. Disassembly of SMPS P.C.B. and AC Inlet P.C.B.

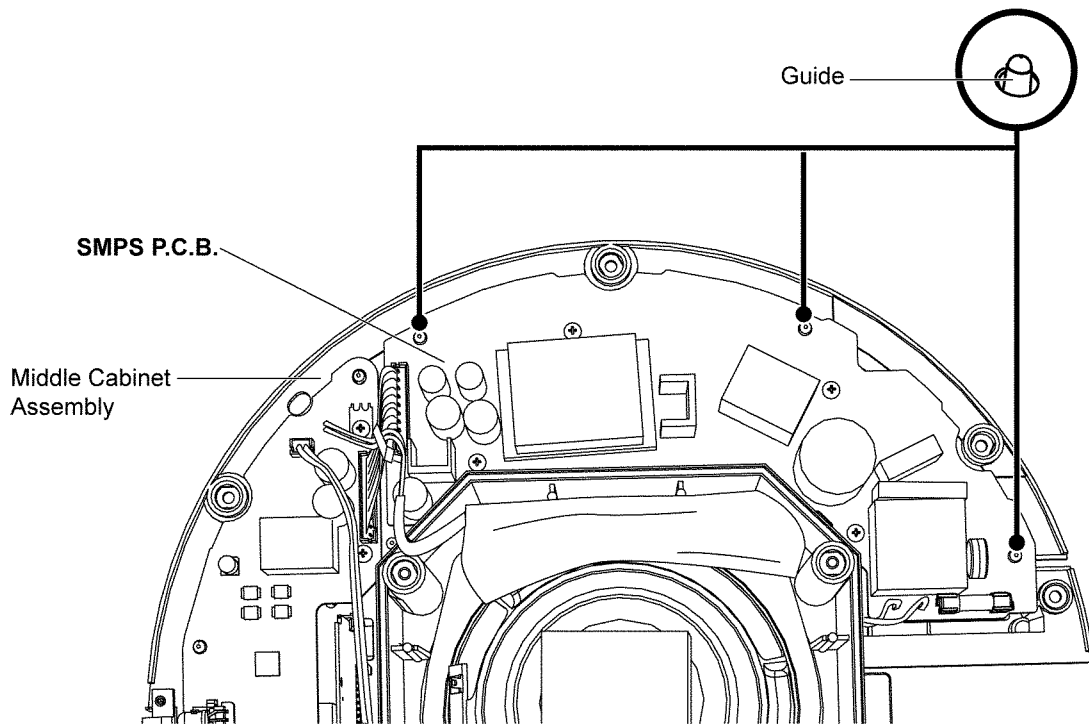
- Follow the (Step 1) - (Step 14) of item 10.5.1.
- Follow the (Step 1) - (Step 2) of item 10.5.2.



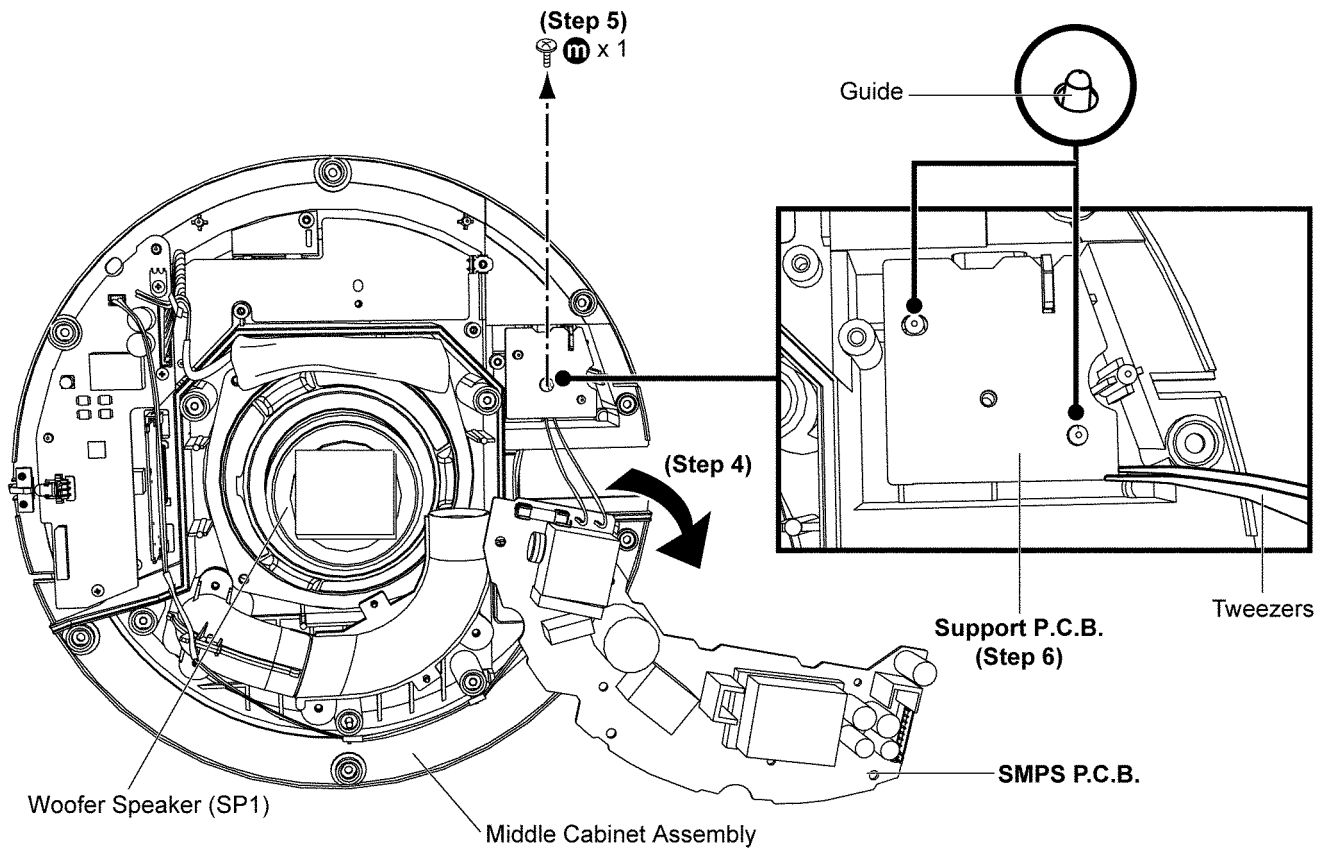
Step 1 : Detach 10P cable at the connector (CN5802) on the SMPS P.C.B.

Step 2 : Remove 3 screws.

Step 3 : Remove 1 screw.



Caution : Ensure that the SMPS P.C.B. is properly fitted onto the Middle Cabinet Assembly during assembling.

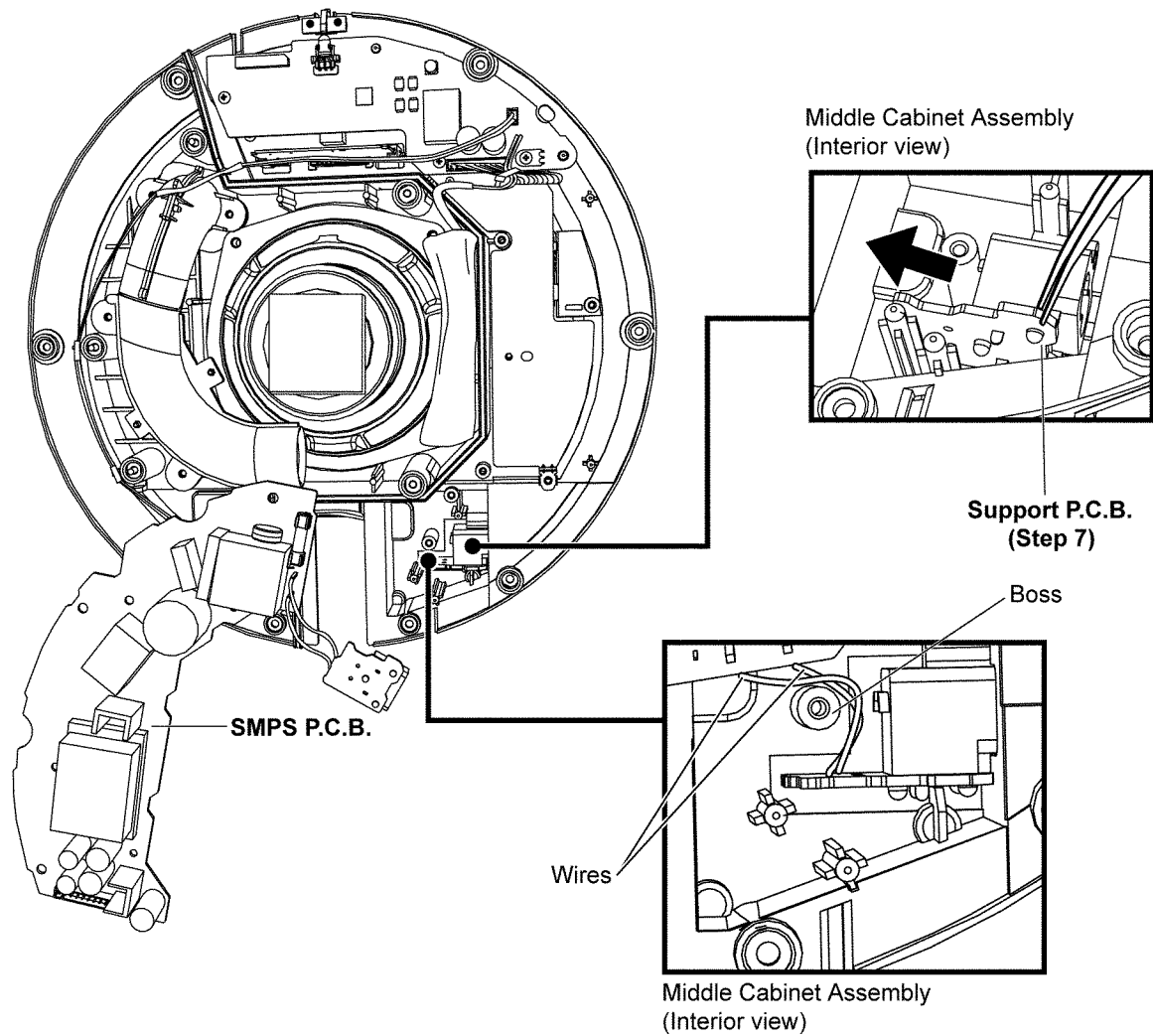


Step 4 : Turn and place the SMPS P.C.B. aside as arrow shown.

Step 5 : Remove 1 screw.

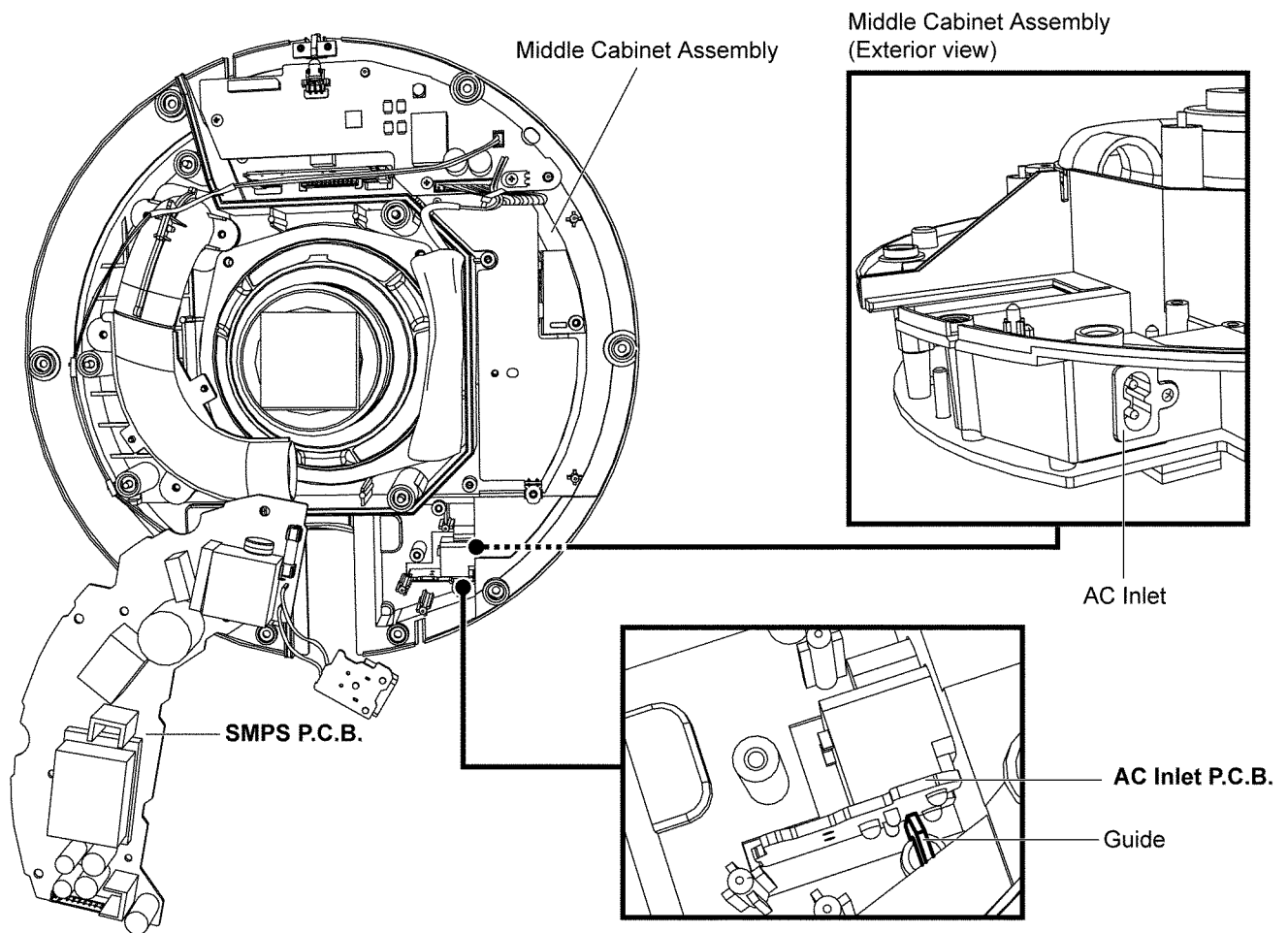
Step 6 : Remove the Support P.C.B. with tweezers.

Caution : Ensure that the Support P.C.B. is properly fitted onto the Middle Cabinet Assembly during assembling.



Step 7 : Using tweezers, gently push the AC Inlet P.C.B. until the AC Inlet is released from the Middle Cabinet Assembly, then lift up to remove both AC Inlet P.C.B. and SMPS P.C.B.

Caution : Ensure that the wires (Black and Red) are dressed to the right side of the boss during assembling of the AC Inlet P.C.B.

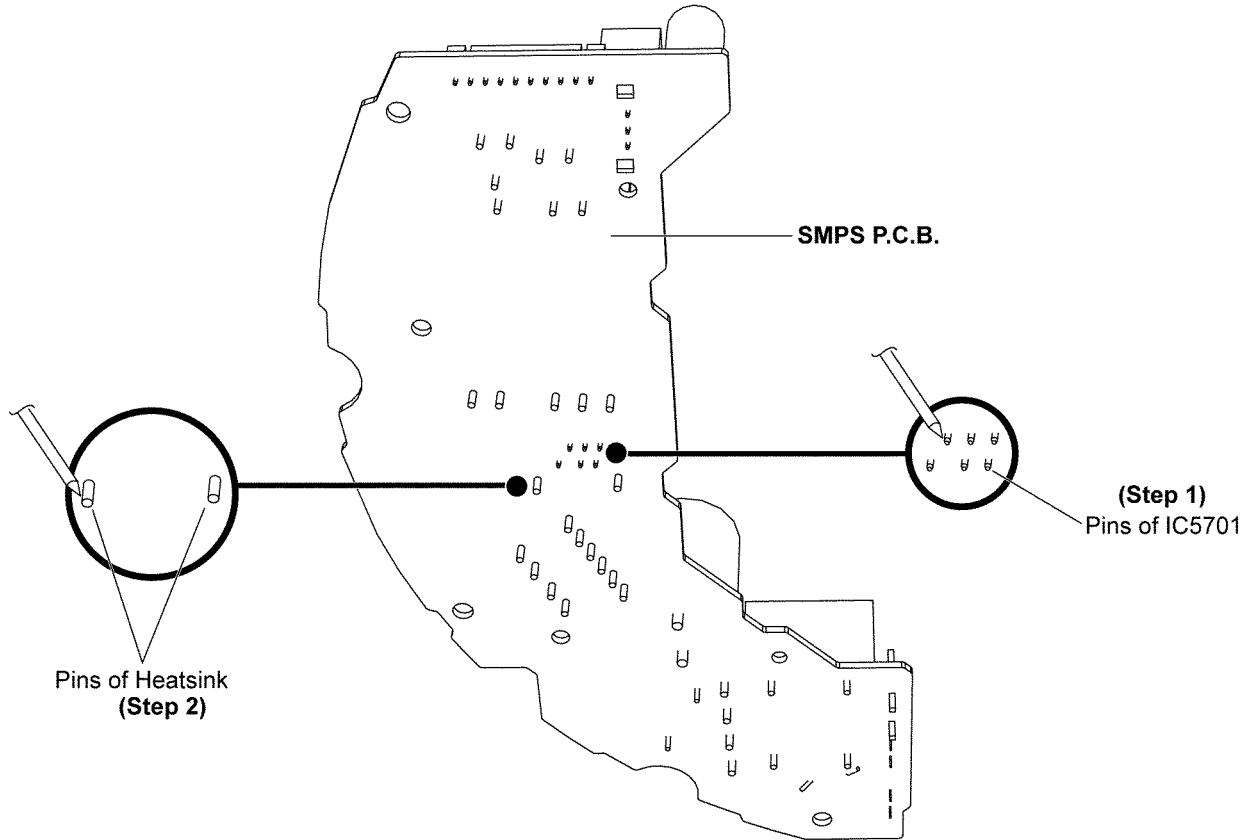


Caution 1 : Ensure that AC Inlet P.C.B. is properly fitted onto the Middle Cabinet Assembly during assembling.
Caution 2 : Ensure that the AC Inlet is fully inserted and protruding slightly from the exterior of the Middle Cabinet Assembly when completed.

10.5.5. Replacement of IC5701

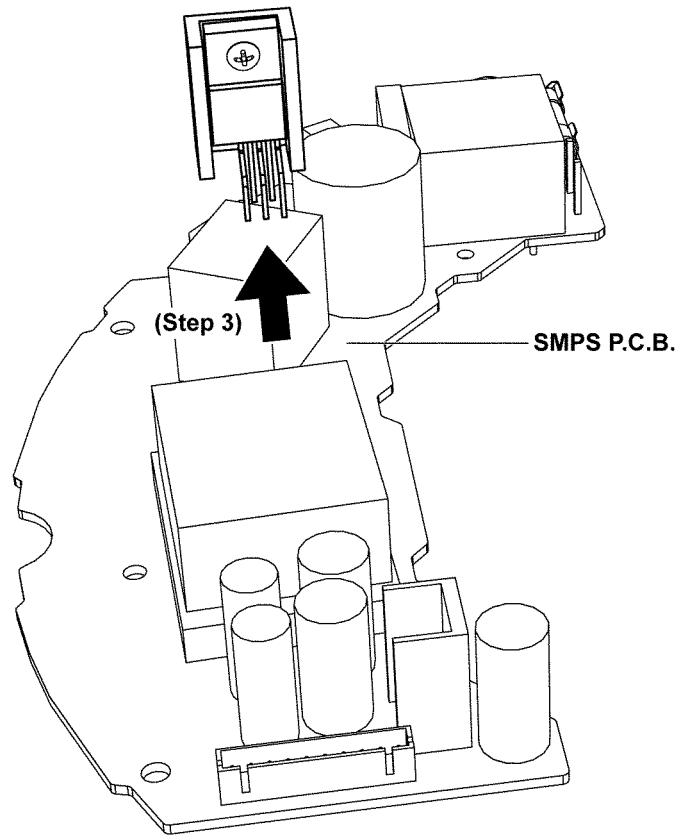
- Follow the (Step 1) - (Step 14) of item 10.5.1.
- Follow the (Step 1) - (Step 2) of item 10.5.2.
- Follow the (Step 1) - (Step 7) of item 10.5.4.

Caution : Handle the SMPS P.C.B. with care due to its high temperature after prolonged use. Avoid touching the heatsink as it may lead to injuries.

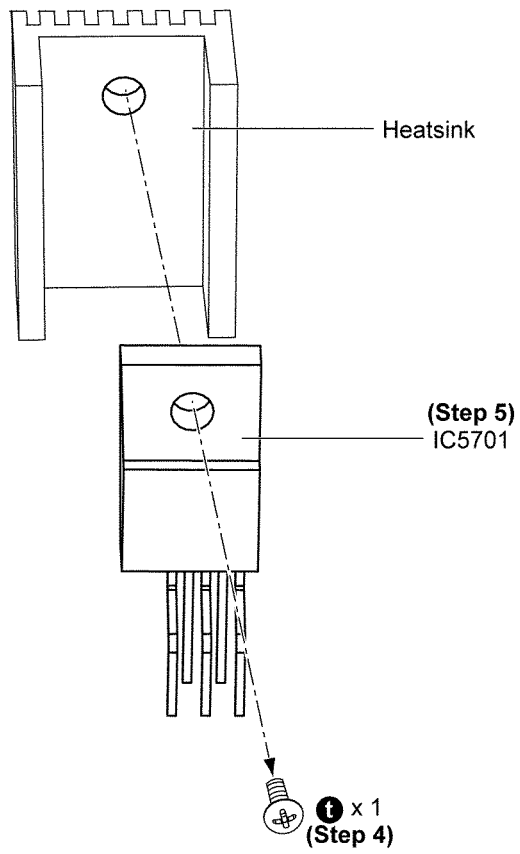


Step 1 : Desolder pins of IC5701 on the solder side of SMPS P.C.B.

Step 2 : Desolder pins of heatsink on the solder side of SMPS P.C.B.



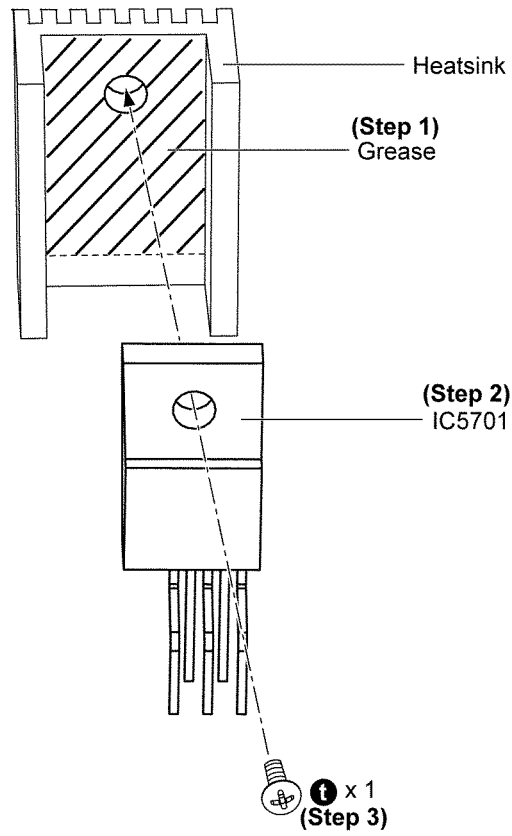
Step 3 : Remove the heatsink with the IC5701.



Step 4 : Remove 1 screw.

Step 5 : Remove IC5701 from the heatsink.

• Assembly of IC5701

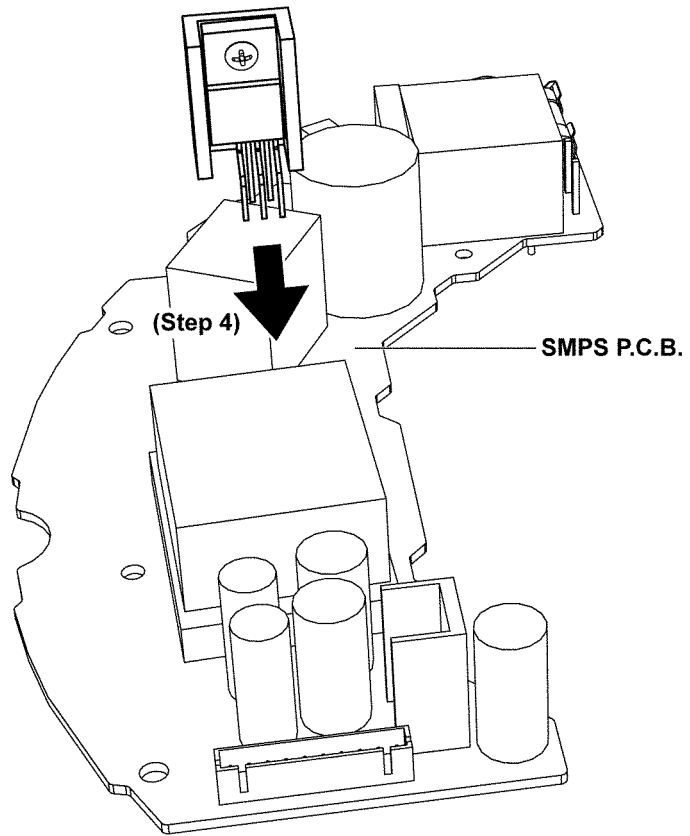


Step 1 : Apply grease on the heatsink.

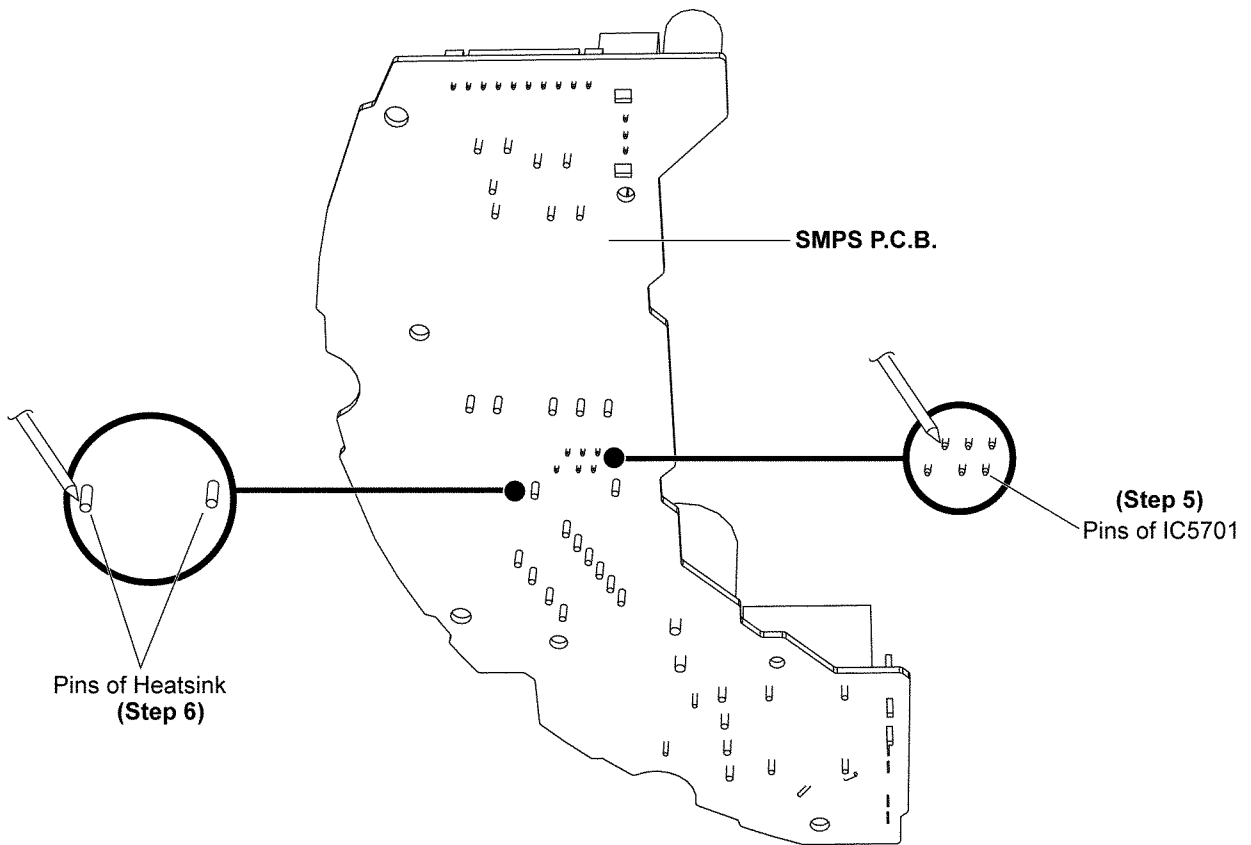
Step 2 : Place IC5701 against the heatsink.

Step 3 : Fix 1 screw.

Caution : Ensure that IC5701 is firmly fixed onto the heatsink.



Step 4 : Place the heatsink with the IC5701 onto the SMPS P.C.B.



Step 5 : Solder pins of IC5701 on the solder side of SMPS P.C.B.

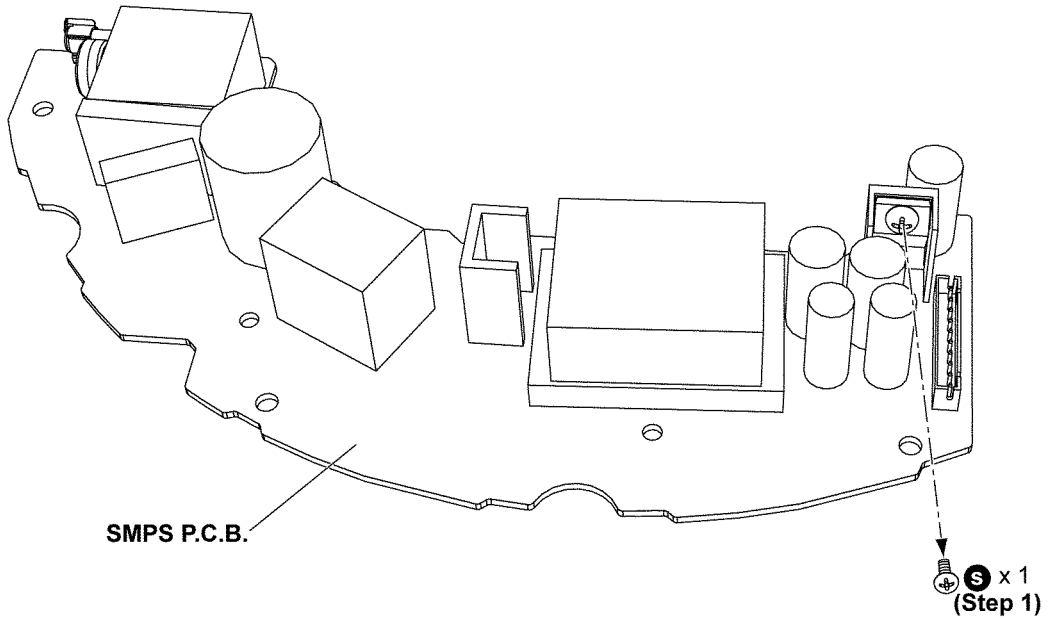
Step 6 : Solder pins of heatsink on the solder side of SMPS P.C.B.

Caution : Ensure that pins of IC5701 and heatsink are properly located and soldered onto the SMPS P.C.B.

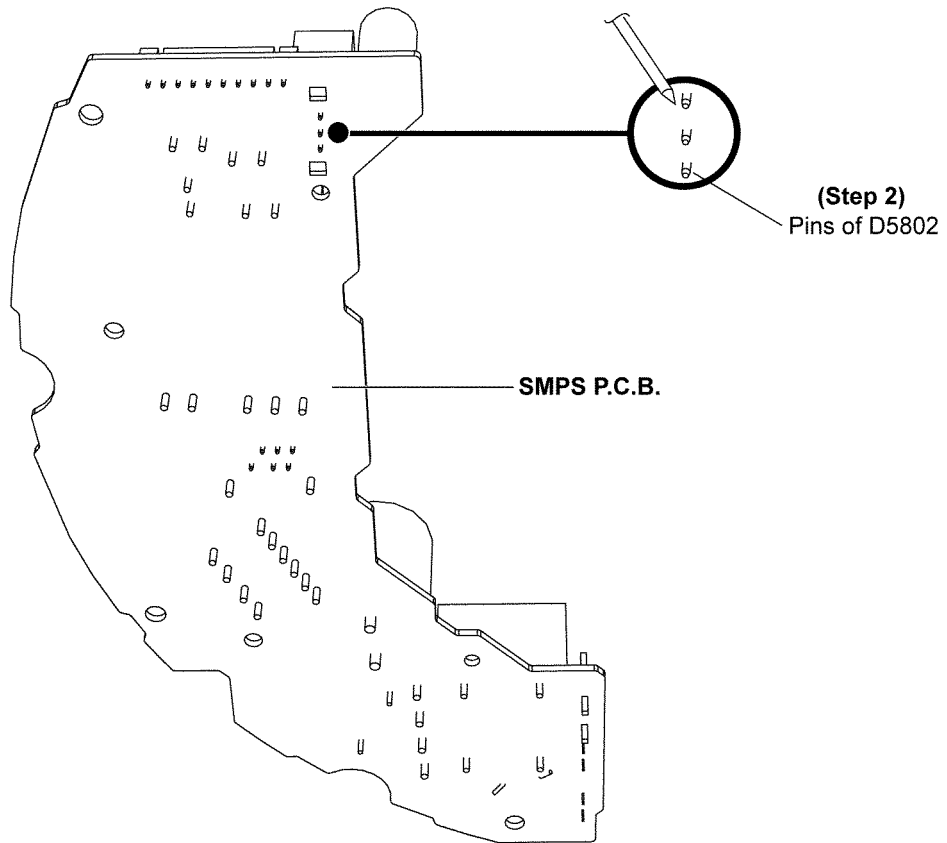
10.5.6. Replacement of Diode (D5802)

- Follow the (Step 1) - (Step 14) of item 10.5.1.
- Follow the (Step 1) - (Step 2) of item 10.5.2.
- Follow the (Step 1) - (Step 7) of item 10.5.4.

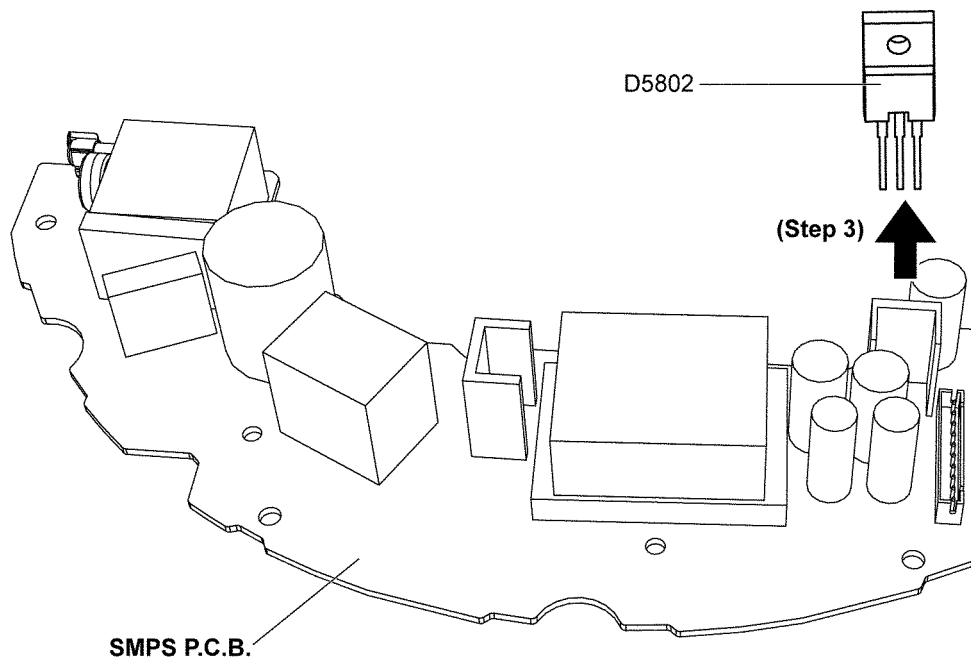
Caution : Handle the SMPS P.C.B. with care due to its high temperature after prolonged use. Avoid touching the heatsink as it may lead to injuries.



Step 1 : Remove 1 screw.

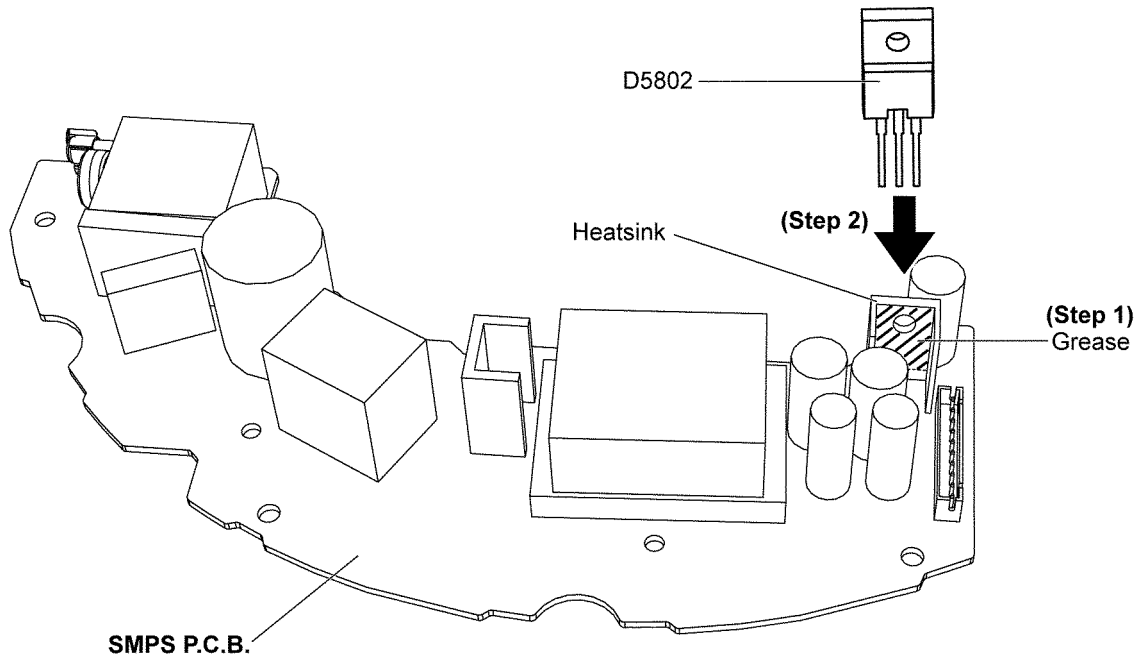


Step 2 : Desolder pins of Diode (D5802) on the solder side of SMPS P.C.B.



Step 3 : Remove the Diode (D5802).

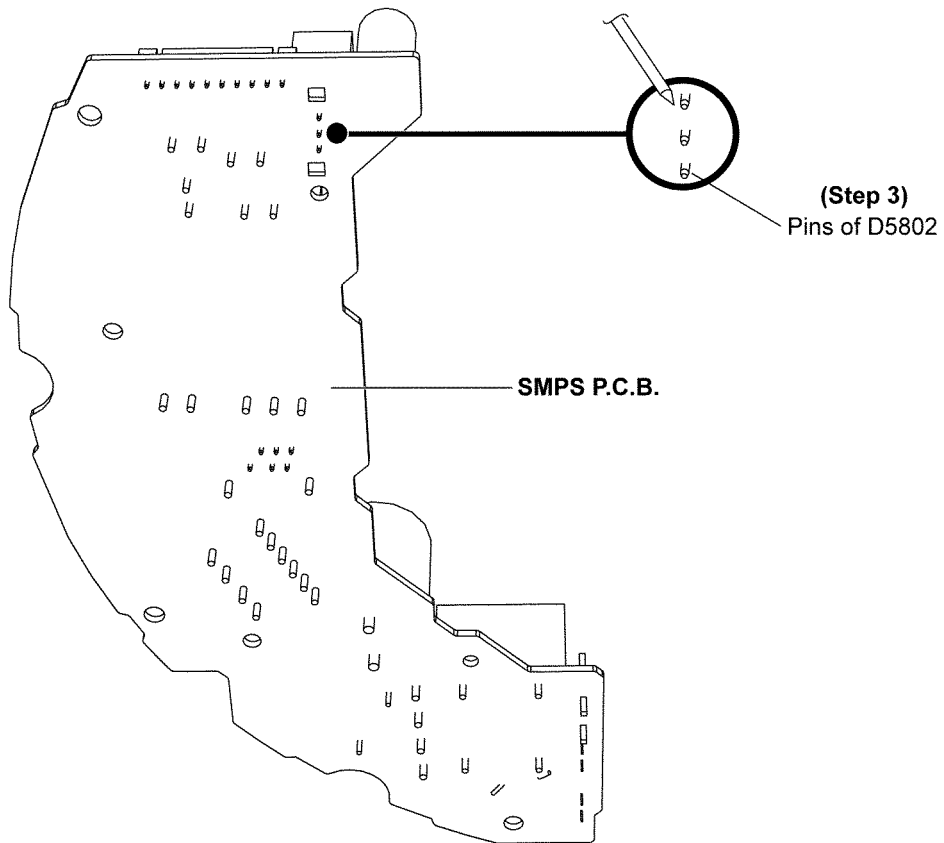
• Assembly of Diode (D5802)



Step 1 : Apply grease on the heatsink.

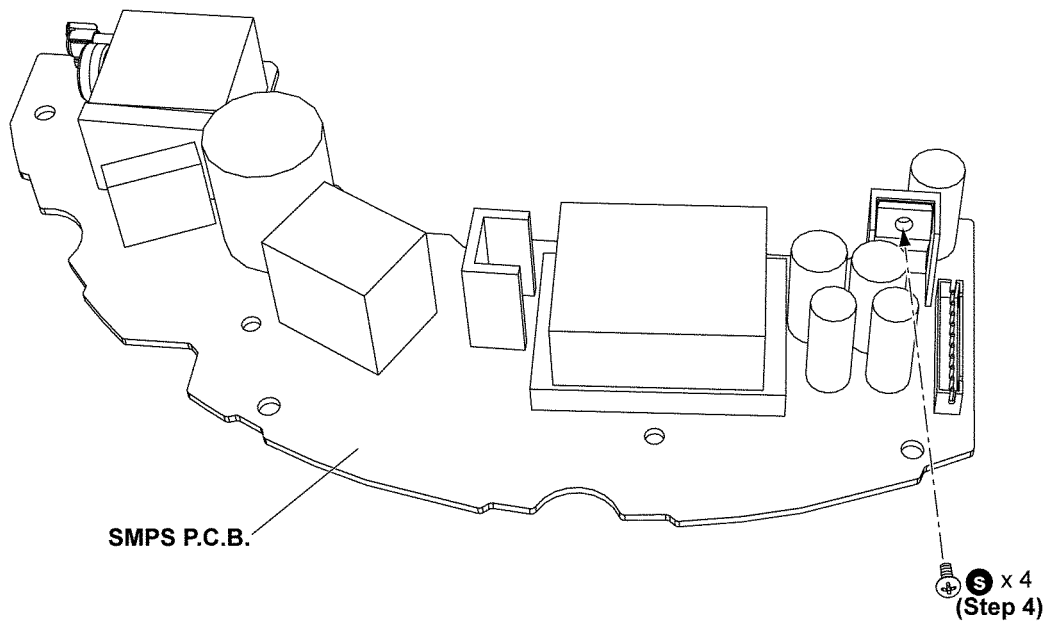
Step 2 : Place Diode (D5802) on the SMPS P.C.B. against the heatsink.

Caution : Ensure that Diode (D5802) is firmly fixed onto the heatsink.



Step 3 : Solder pins of Diode (D5802) on the solder side of the SMPS P.C.B.

Caution : Ensure that pins of Diode (D5802) are properly located and soldered onto the SMPS P.C.B.

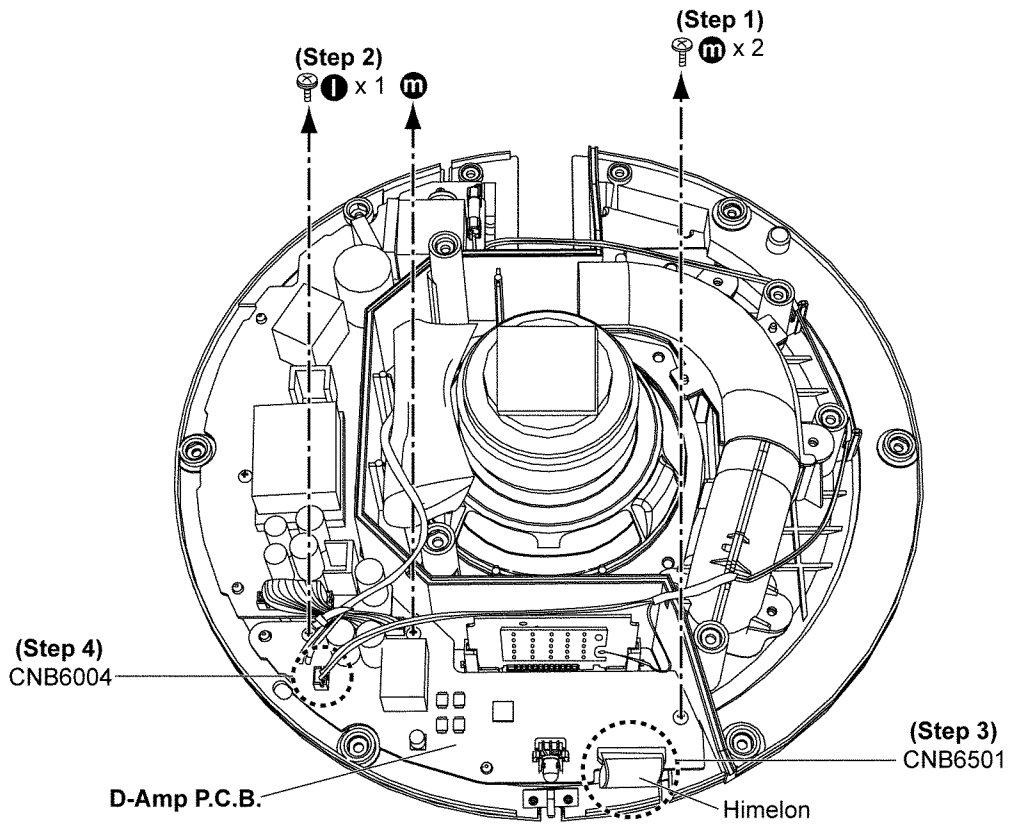


Step 4 : Fix 1 screw.

10.5.7. Disassembly of D-Amp P.C.B.

- Follow the (Step 1) - (Step 14) of item 10.5.1.
- Follow the (Step 1) - (Step 2) of item 10.5.2.
- Follow the (Step 1) of item 10.5.4.

Caution : D-Amp P.C.B. is replaced as a module.

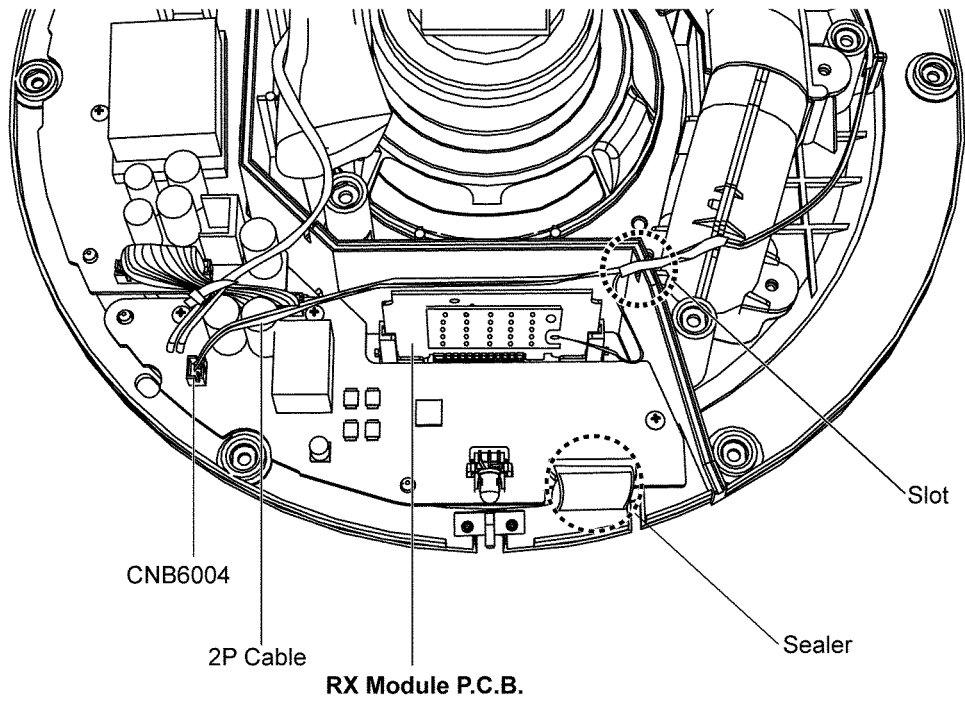


Step 1 : Remove 2 screws.

Step 2 : Remove 1 screw.

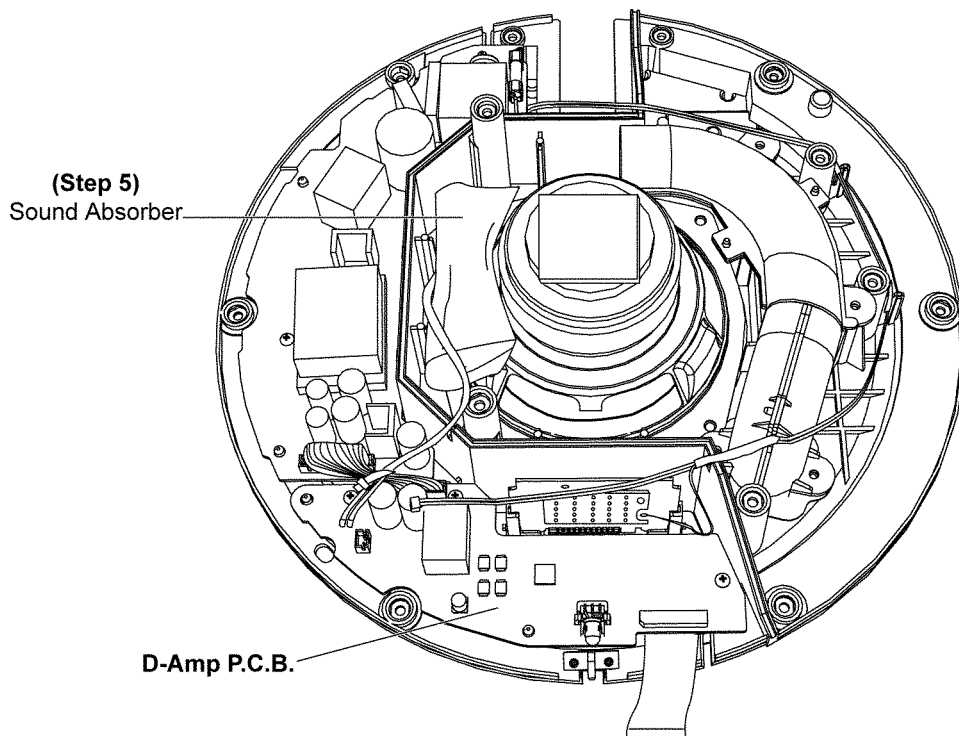
Step 3 : Detach 15P FFC at the connector (CNB6501) on the D-Amp P.C.B.

Step 4 : Detach 2P cable at the connector (CNB6004) on the D-Amp P.C.B.

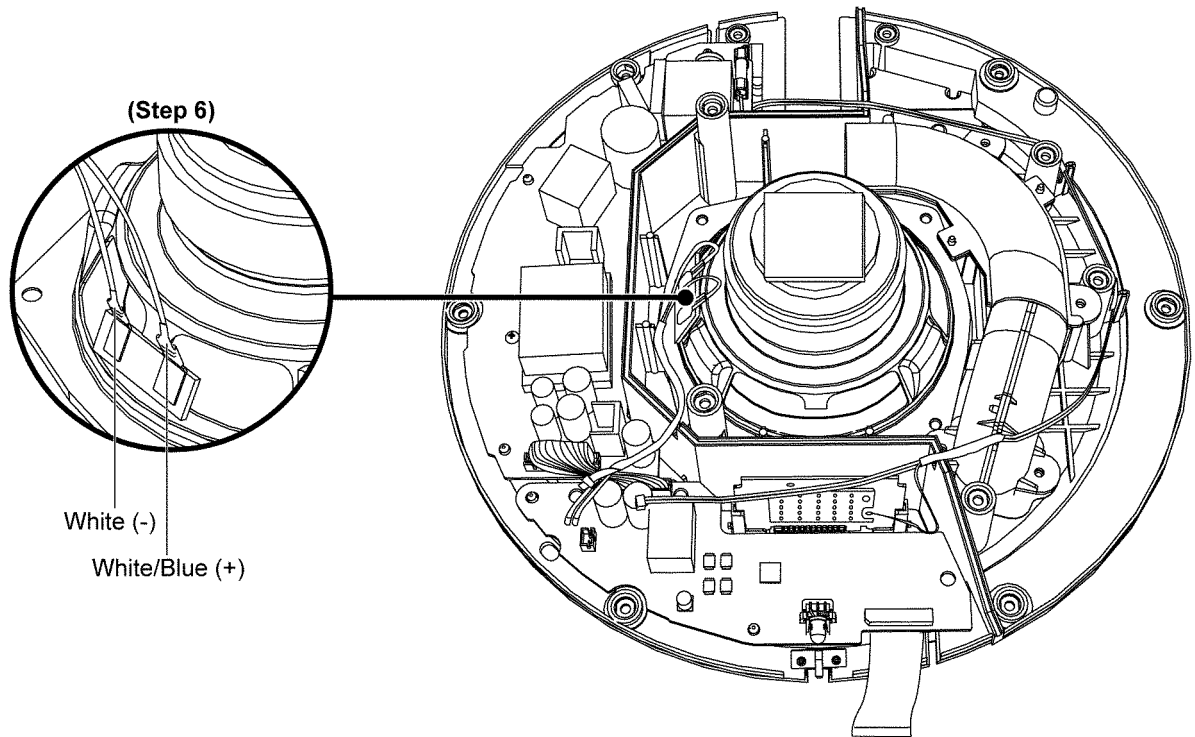


Caution 1 : Replace the Sealer if it is torn.

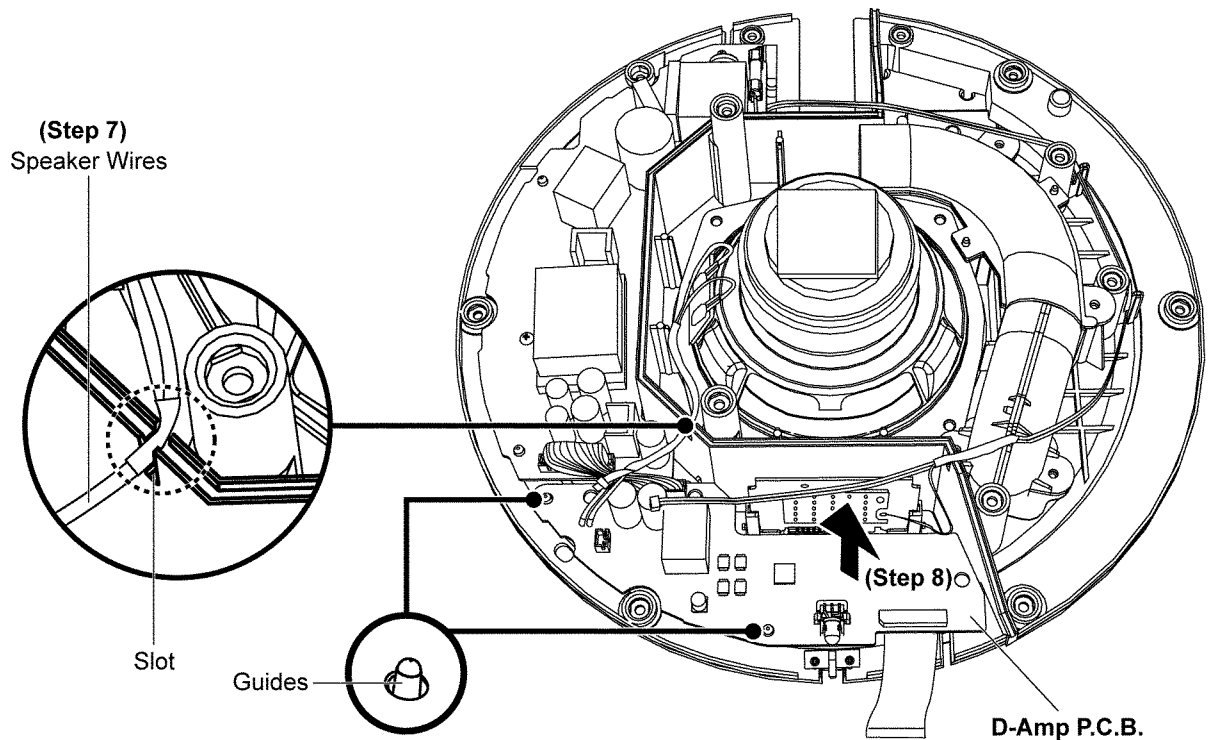
Caution 2 : When connecting 2P cable to the connector (CNB6004), ensure the 2P cable is dressed behind the RX Module P.C.B. and placed onto the slot.



Step 5 : Remove the Sound Absorber.



Step 6 : Detach the White/Blue (+) and White (-) speaker wires.



Step 7 : Remove the speaker wires from the slot in the Middle Cabinet Assembly.

Step 8 : Remove the D-Amp P.C.B.

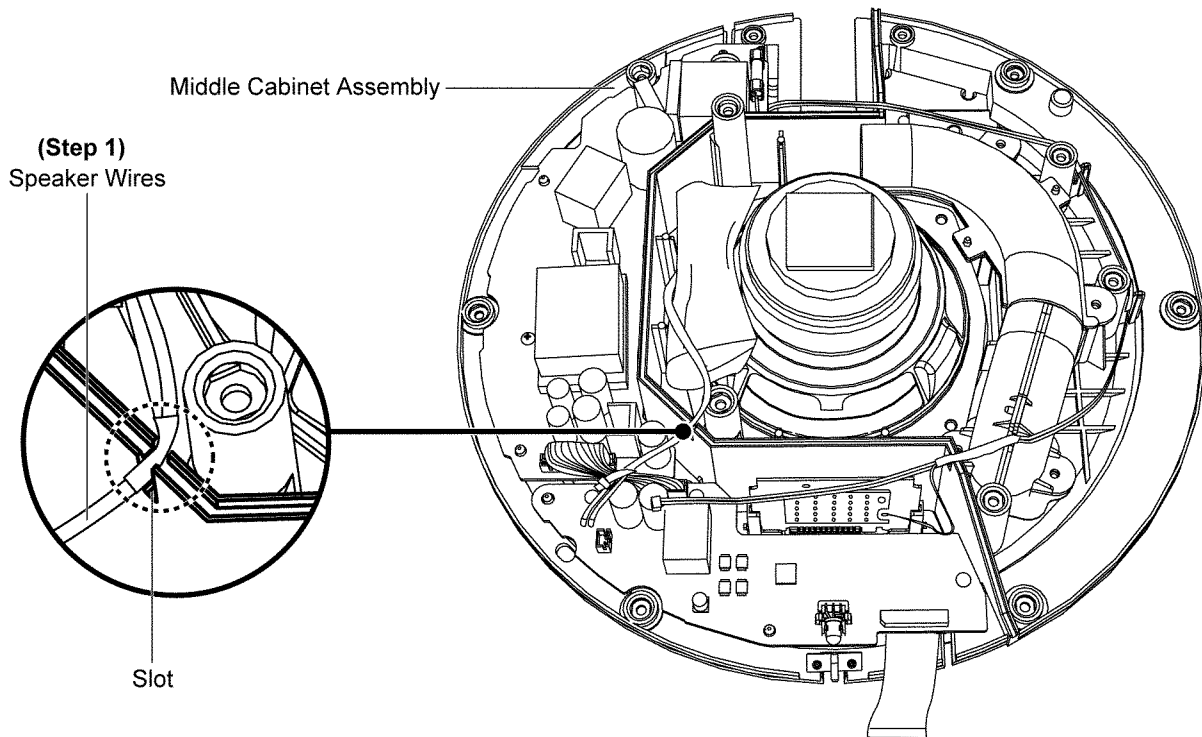
Caution 1 : Ensure that the D-Amp P.C.B. is properly fitted onto the Middle Cabinet Assembly during assembling.

Caution 2 : Ensure that the speaker wires are placed within the slot in the Middle Cabinet Assembly.

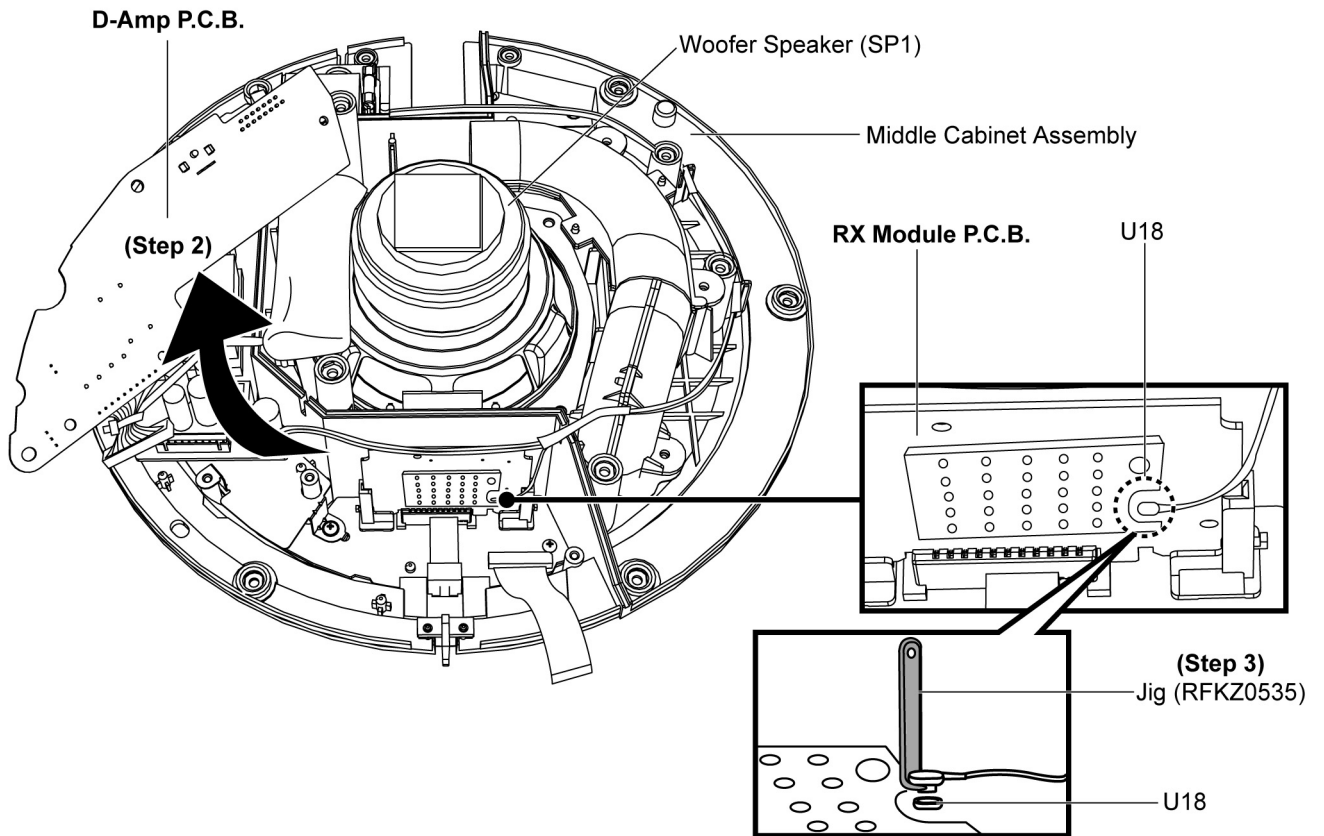
10.5.8. Disassembly of RX Module P.C.B.

- Follow the (Step 1) - (Step 14) of item 10.5.1.
- Follow the (Step 1) - (Step 2) of item 10.5.2.
- Follow the (Step 1) - (Step 4) of item 10.5.7.

Caution : RX Module P.C.B. is replaced as a module. Pairing is necessary after replacement.



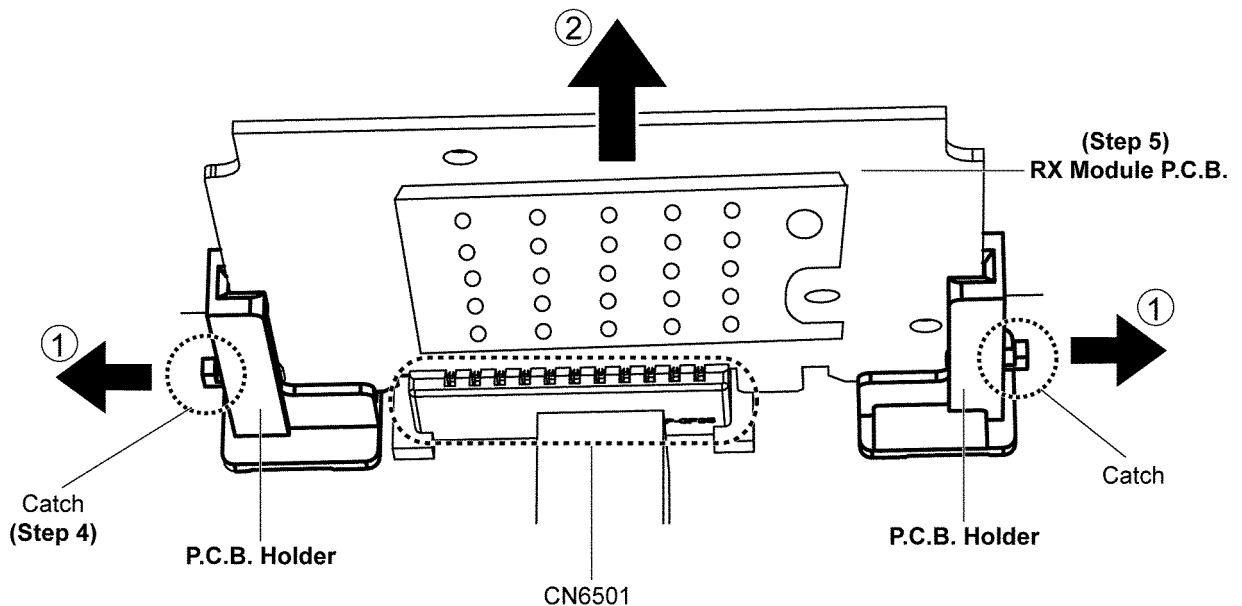
Step 1 : Remove the speaker wires from the slot in the Middle Cabinet Assembly.



Step 2 : Flip and place the D-Amp P.C.B. as arrow shown.

Step 3 : Using a Jig (RFKZ0535), hook on to detach coaxial cable at the connector (U18) on the RX Module P.C.B.

Caution : The connector (U18) is fragile, take extra care not to damage it during disassembling.



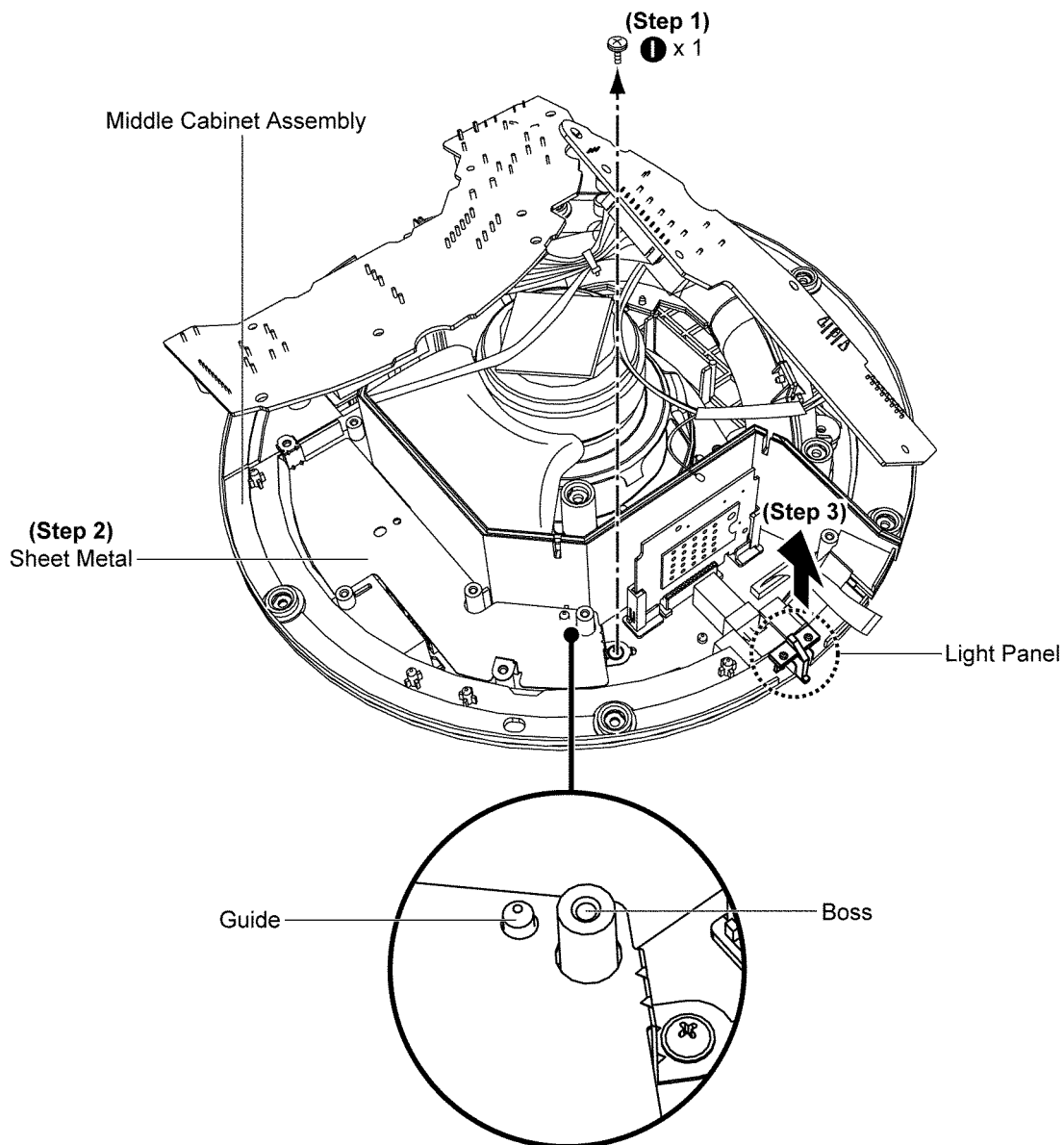
Step 4 : Release catches on the P.C.B. Holders as arrows shown.

Step 5 : Apply gentle force to detach RX Module P.C.B. at the P.C.B. connector (CN6501).

Caution : Ensure that the RX Module P.C.B. is properly and fully inserted onto the P.C.B. connector (CN6501) when assembling.

10.5.9. Disassembly of Input P.C.B.

- Follow the (Step 1) - (Step 14) of item 10.5.1.
- Follow the (Step 1) - (Step 2) of item 10.5.2.
- Follow the (Step 1) - (Step 4) of item 10.5.4.
- Follow the (Step 1) - (Step 7) of item 10.5.7.
- Follow the (Step 1) - (Step 3) of item 10.5.8.

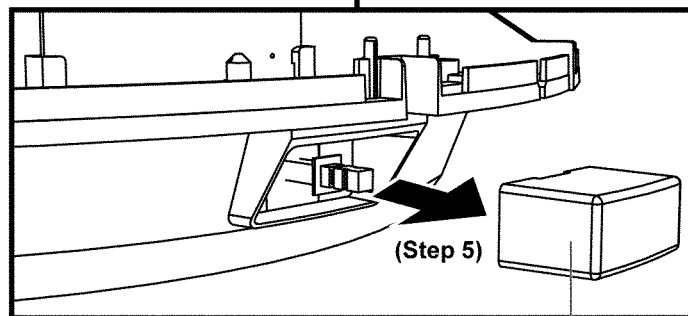
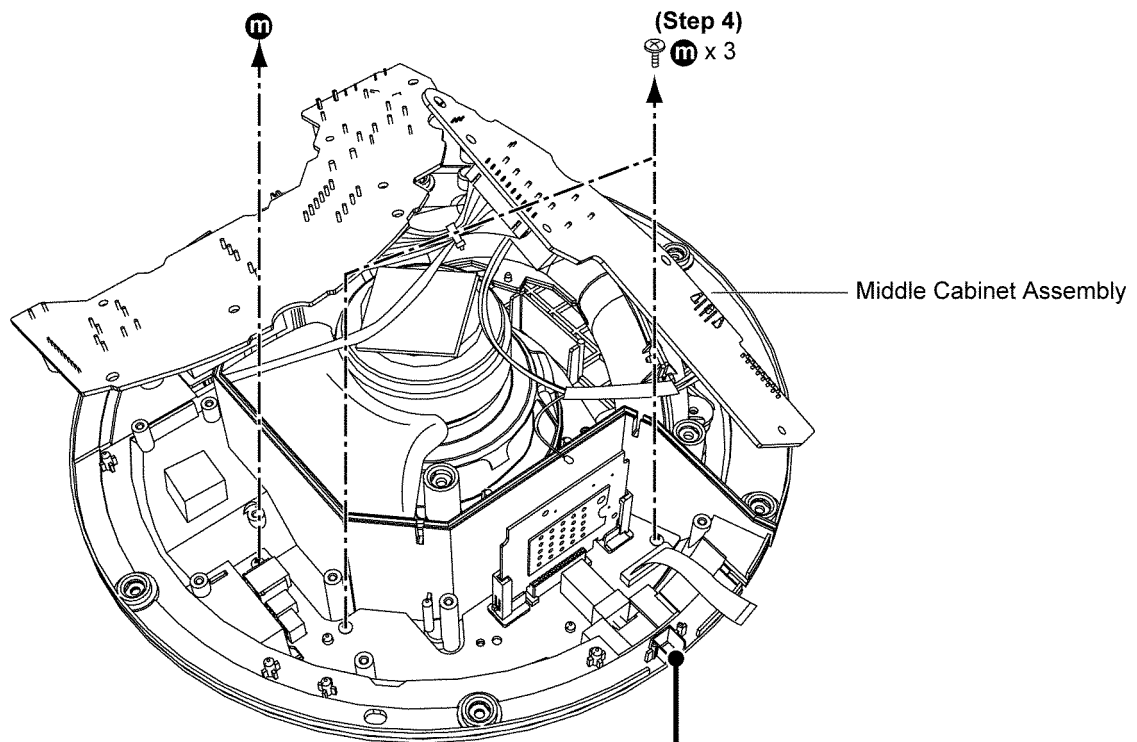


Step 1 : Remove 1 screw.

Step 2 : Remove the Sheet Metal.

Step 3 : Remove the Light Panel.

Caution : Using the guide and boss, ensure that the Sheet Metal is properly located onto the Middle Cabinet Assembly during assembling.

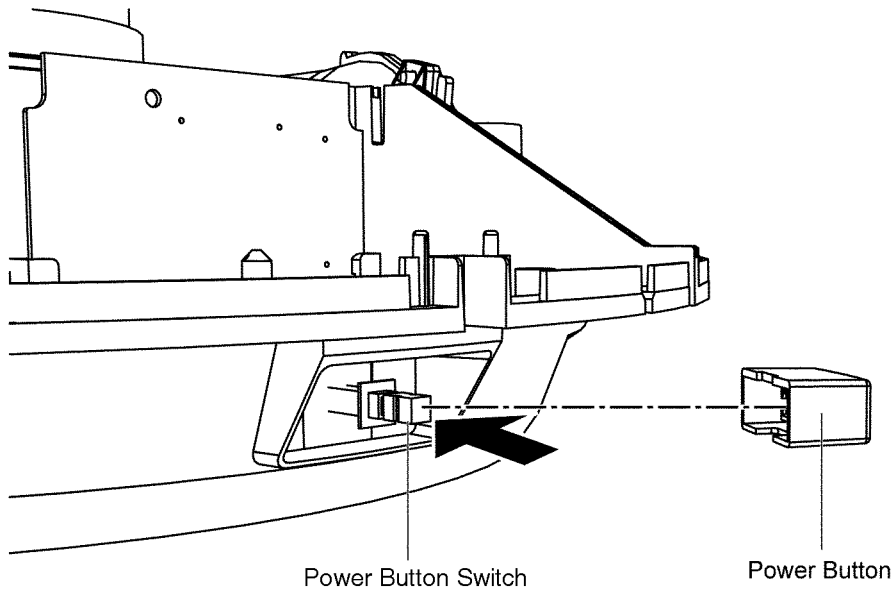


Middle Cabinet Assembly
(Exterior View)

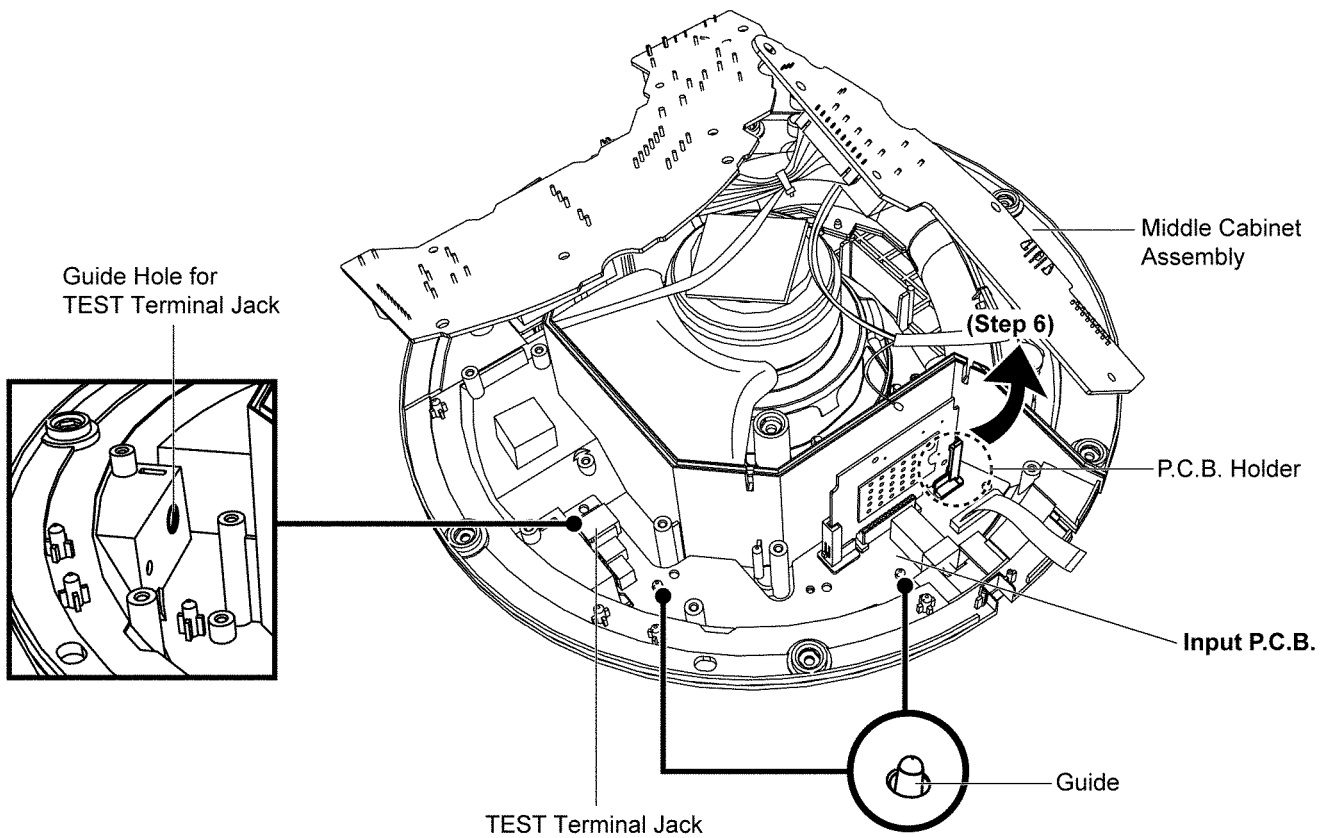
Power Button

Step 4 : Remove 3 screws.

Step 5 : Remove the Power Button.



Caution : Ensure that the Power Button Switch is pushed down to 'On' position before fixing the Power Button.



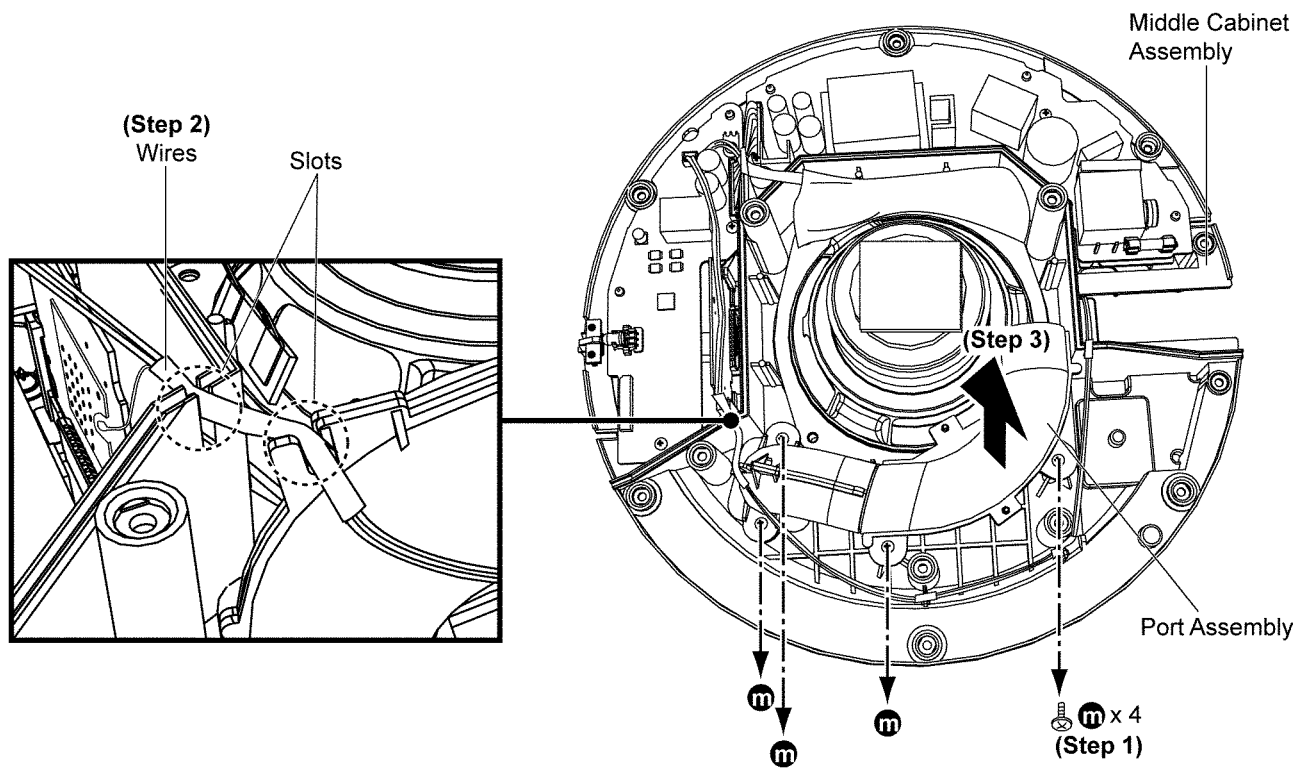
Step 6 : Hold on to the P.C.B. Holder to remove the Input P.C.B. as arrow shown.

Caution 1 : During assembling of the Input P.C.B., ensure that the TEST Terminal Jack is properly slot into the guide hole in the Middle Cabinet Assembly.

Caution 2 : Ensure that the Input P.C.B. is properly fitted onto the Middle Cabinet Assembly during assembling.

10.5.10. Disassembly of Port Assembly (A , B) and Port Assembly (C, D)

- Follow the (Step 1) - (Step 14) of item 10.5.1.

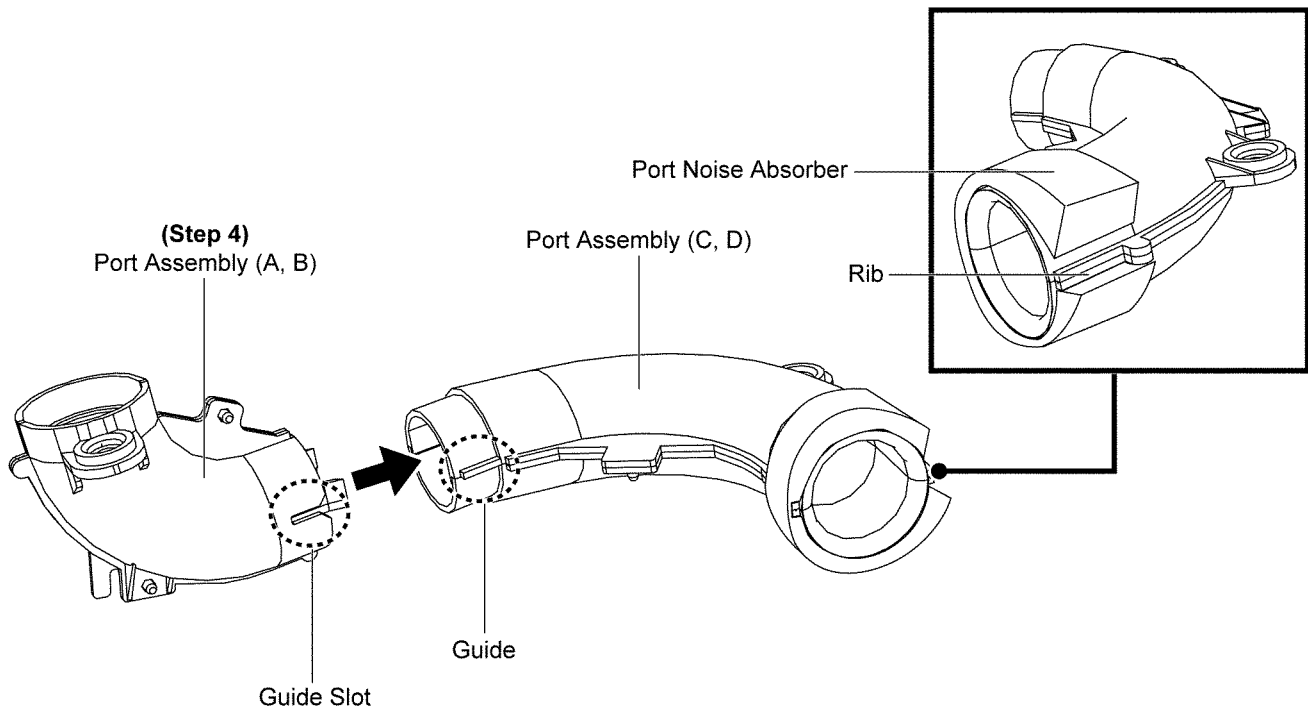


Step 1 : Remove 4 screws.

Step 2 : Remove the wires from the slots in the Middle Cabinet Assembly.

Step 3 : Lift up to remove the Port Assembly.

Caution : Ensure that the wires are placed within the 2 slots in the Middle Cabinet Assembly during assembling of the Port Assembly.



Step 4 : Detach Port Assembly (A, B) from Port Assembly (C, D).

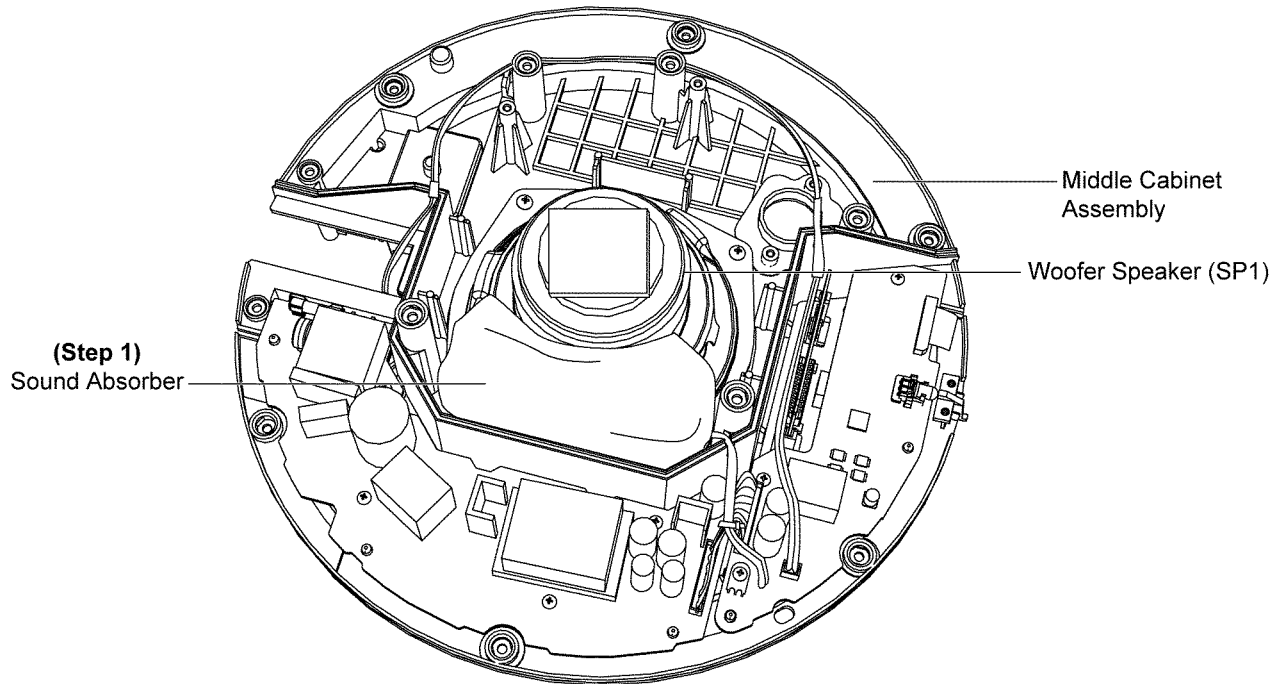
Caution 1 : During assembling of Port Assembly, align the guide on Port Assembly (C, D) to the guide slot in Port Assembly (A, B).

Caution 2 : During replacement of the Port Noise Absorber, use the rib of Port Assembly (C, D) as reference when pasting the Port Noise Absorber.

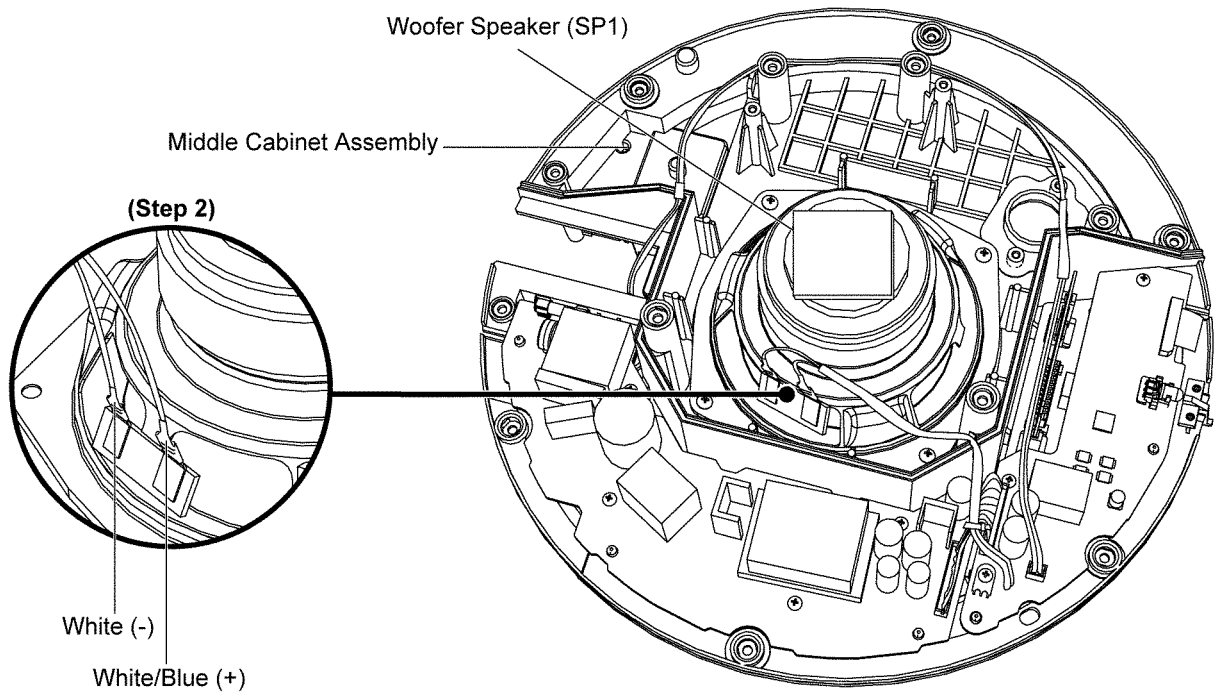
Caution 3 : Ensure that the Port Noise Absorber is firmly pasted on Port Assembly (C, D) by pressing on the whole surface.

10.5.11. Disassembly of Woofer Speaker (SP1)

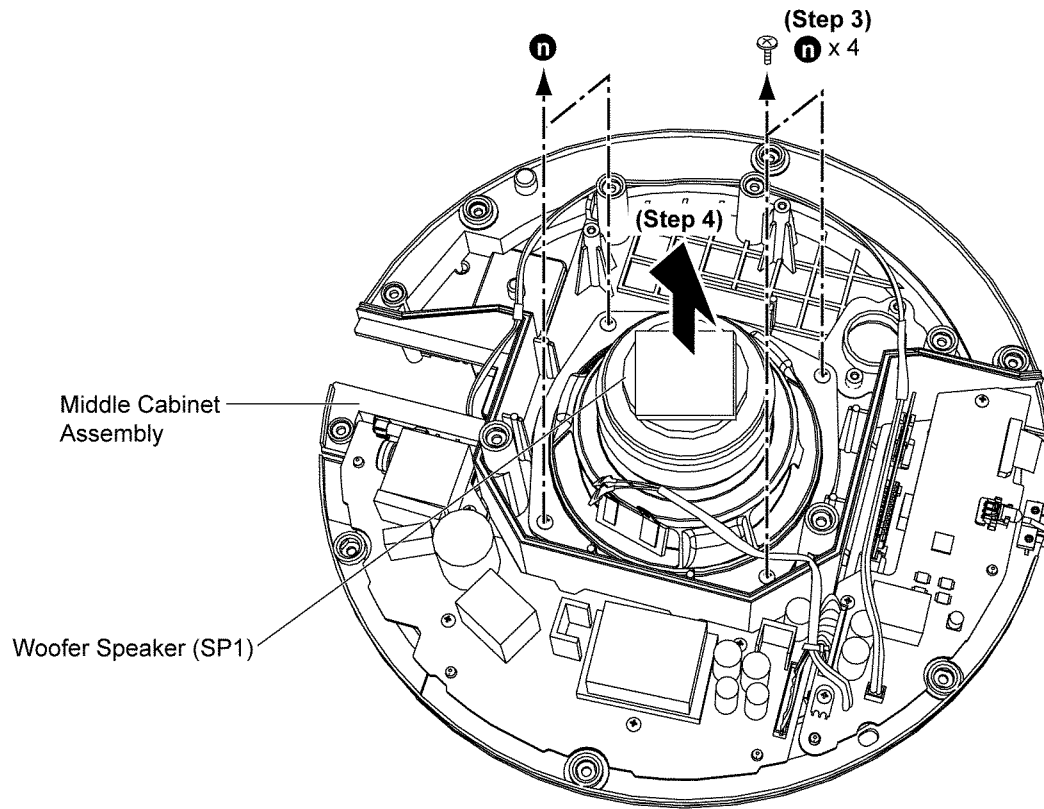
- Follow the (Step 1) - (Step 14) of item 10.5.1.
- Follow the (Step 1) - (Step 3) of item 10.5.10.



Step 1 : Remove the Sound Absorber.



Step 2 : Detach the White/Blue (+) and White (-) speaker wires.

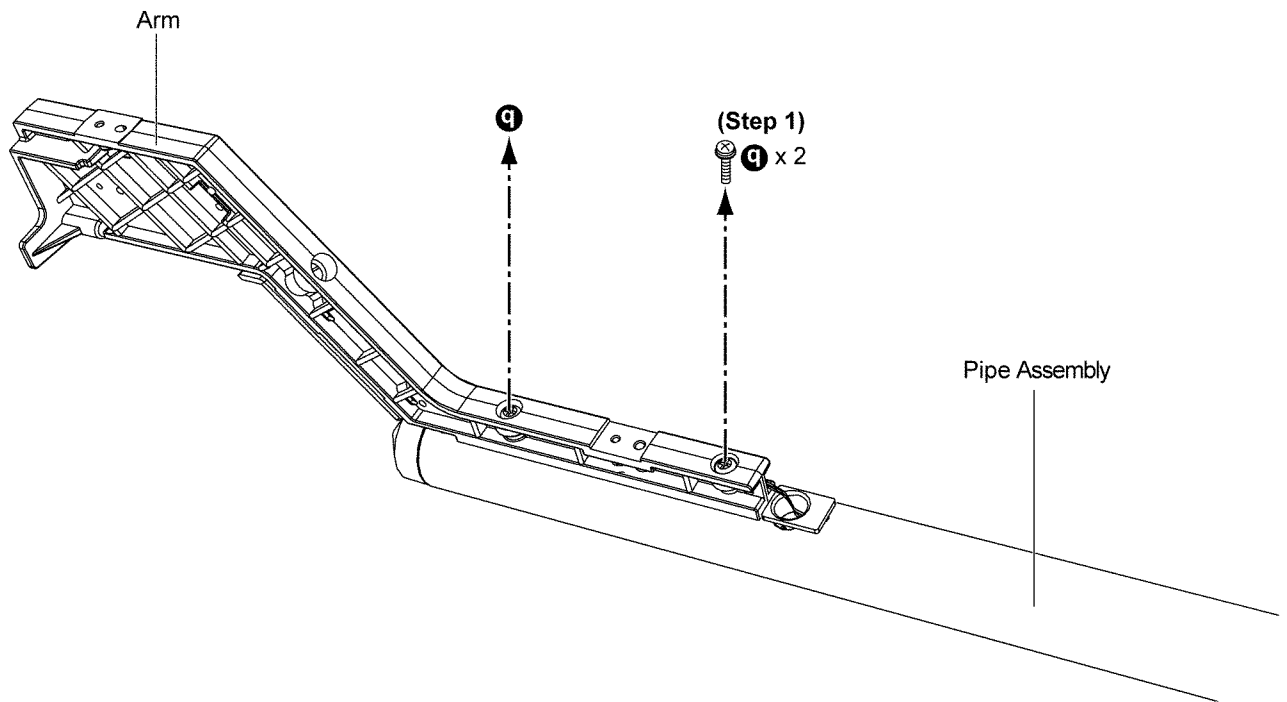


Step 3 : Remove 4 screws.

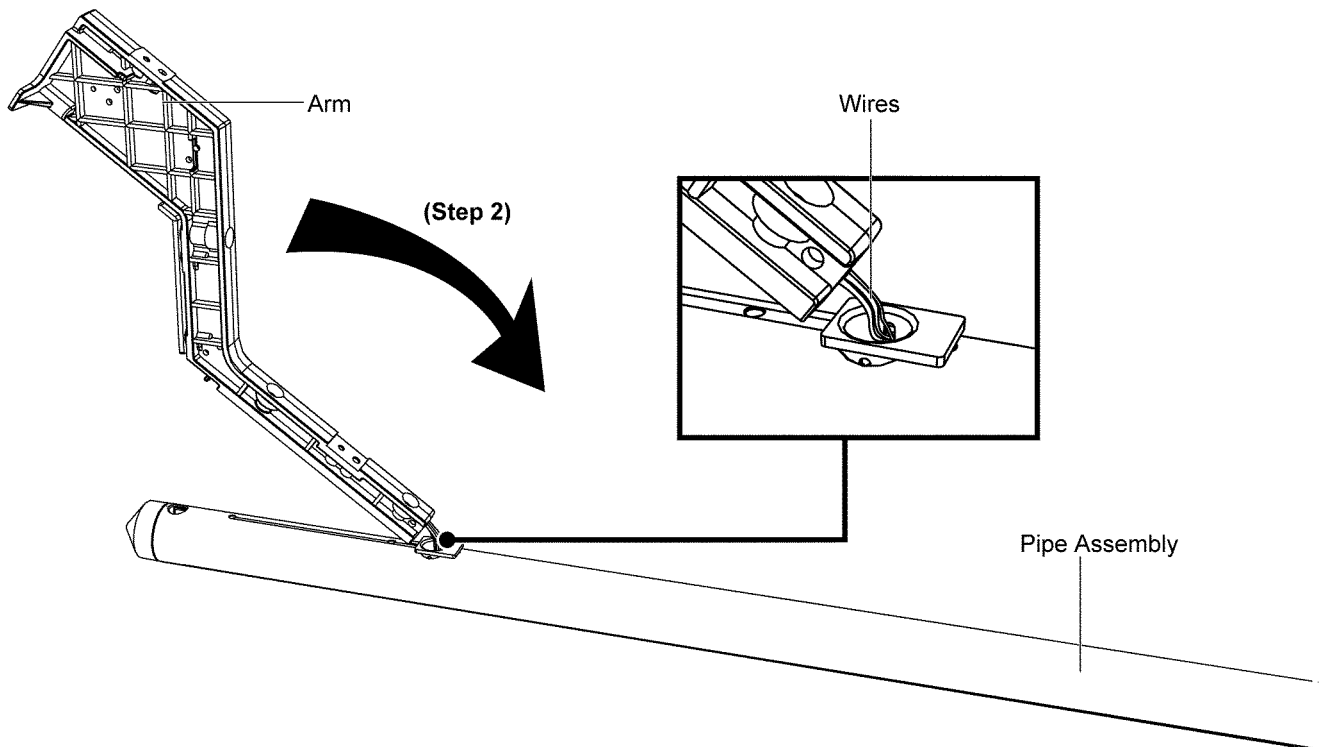
Step 4 : Lift up to remove Woofer Speaker (SP1).

10.5.12. Disassembly of Arm Unit

- Follow the (Step 1) - (Step 14) of item 10.5.1.

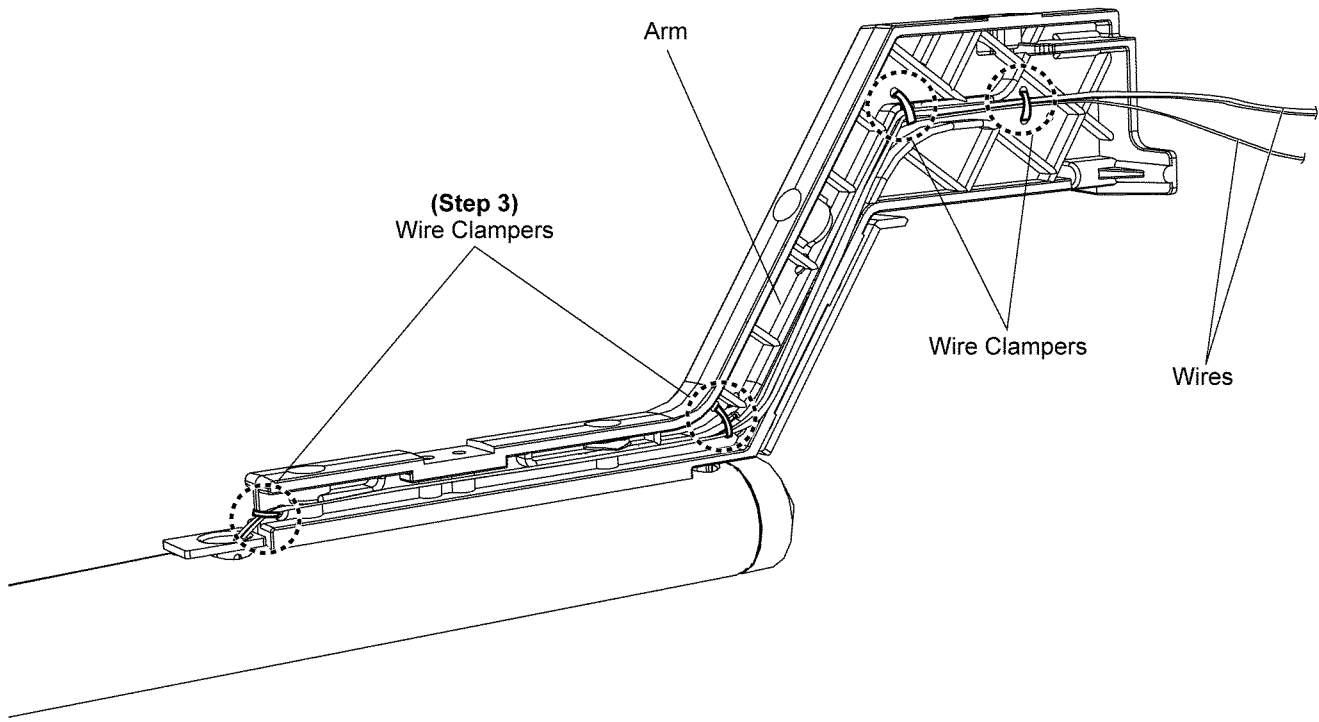


Step 1 : Remove 2 screws.



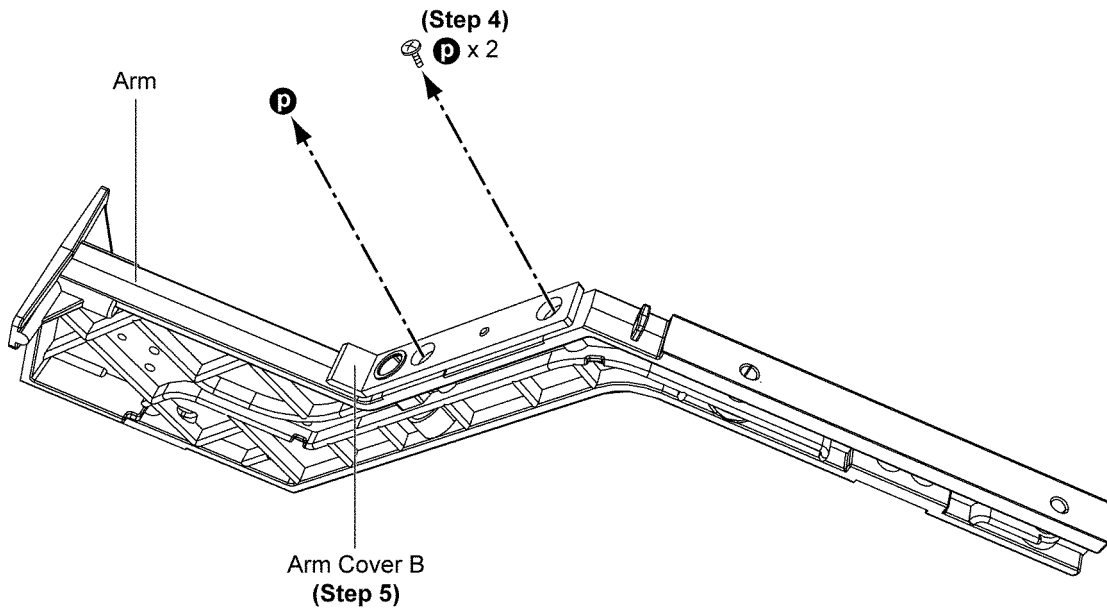
Step 2 : Lift and flip over the Arm as arrow shown.

Caution : Take extra care not to damage the wires while flipping the Arm.



Step 3 : Cut the 4 wire clampers to remove the Arm.

Caution : During assembling, replace with new wire clampers and ensure that the wire clampers are tightened such that the wires are firmly located in the Arm.

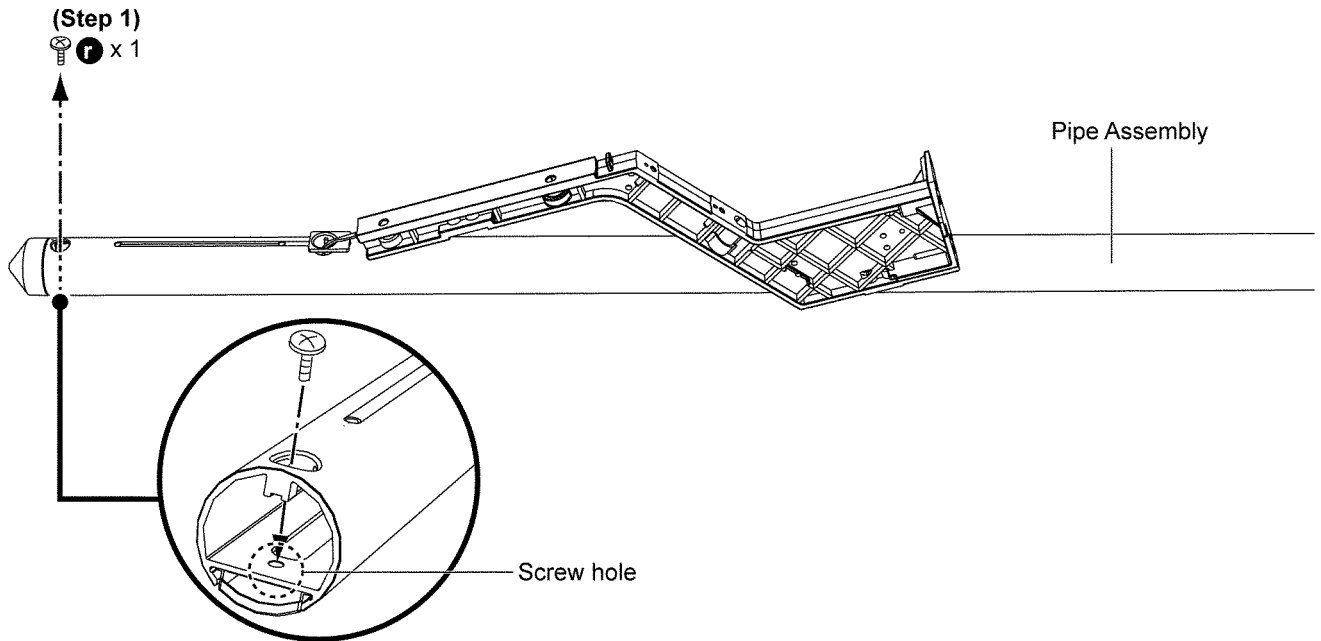


Step 4 : Remove 2 screws.

Step 5 : Detach Arm Cover B from the Arm.

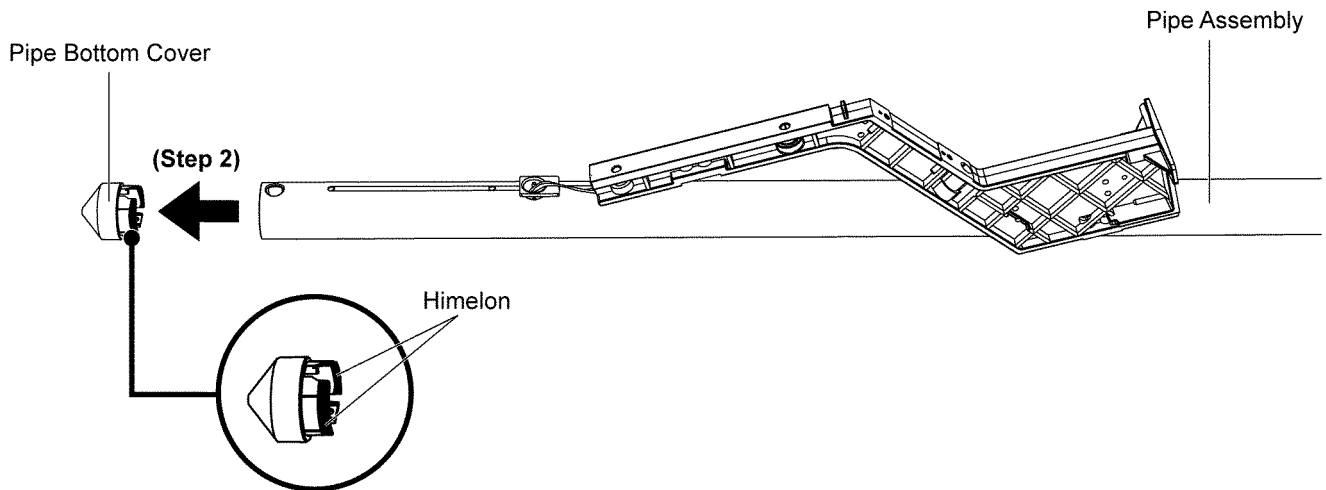
10.5.13. Disassembly of Prepared Net Assembly

- Follow the (Step 1) - (Step 14) of item 10.5.1.
- Follow the (Step 1) - (Step 2) of item 10.5.12.



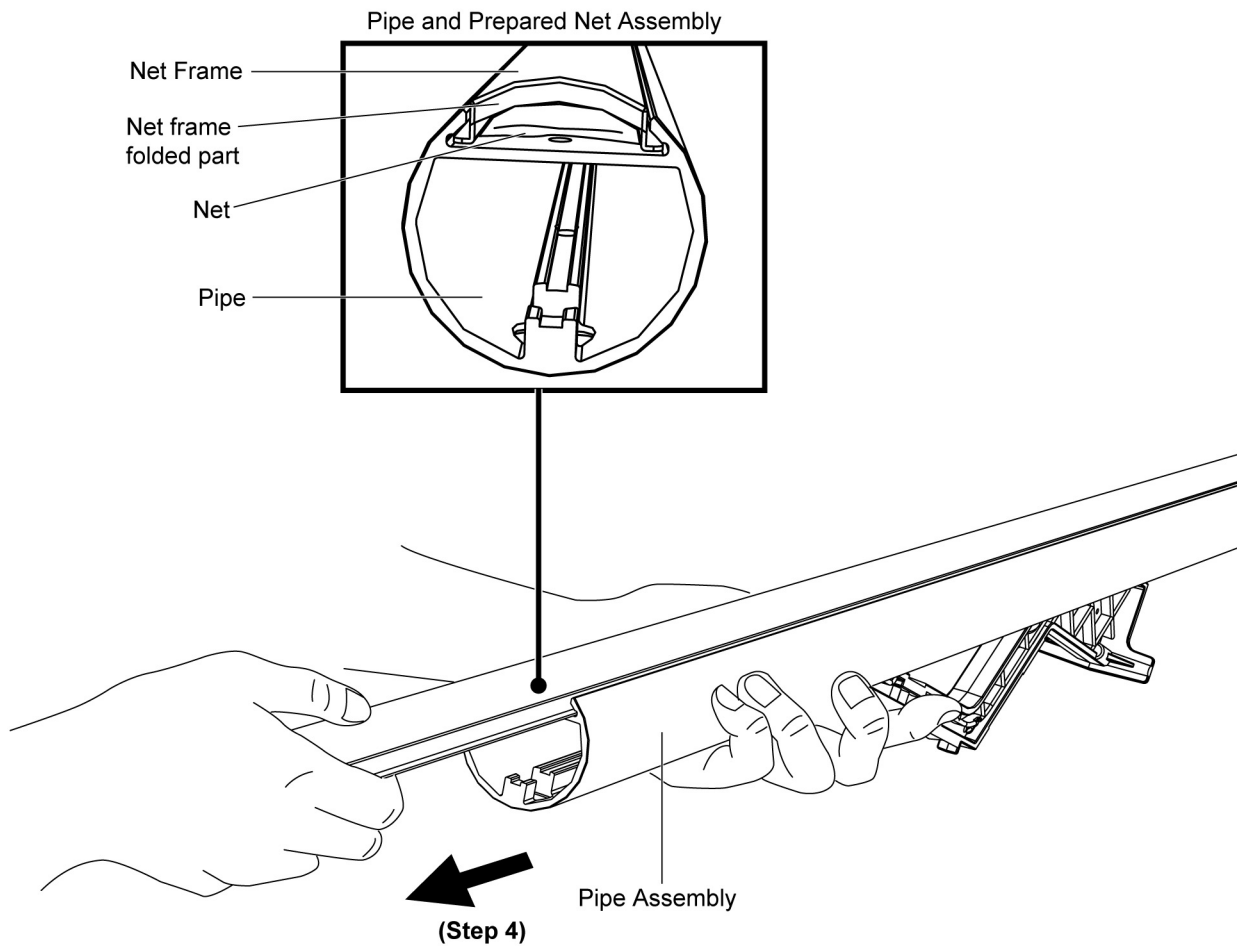
Step 1 : Remove 1 screw.

Caution: During assembling, do not tighten the screw too tight to avoid the screw hole becomes bigger.

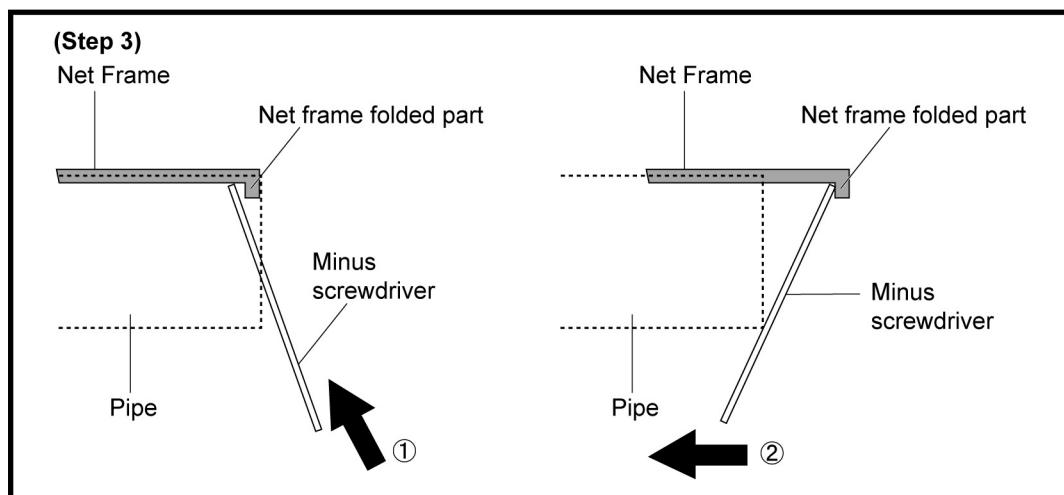


Step 2 : Remove the Pipe Bottom Cover.

Caution: Replace the himelon if it is torn during disassembling of the Pipe Bottom Cover.



(Cross-section view)



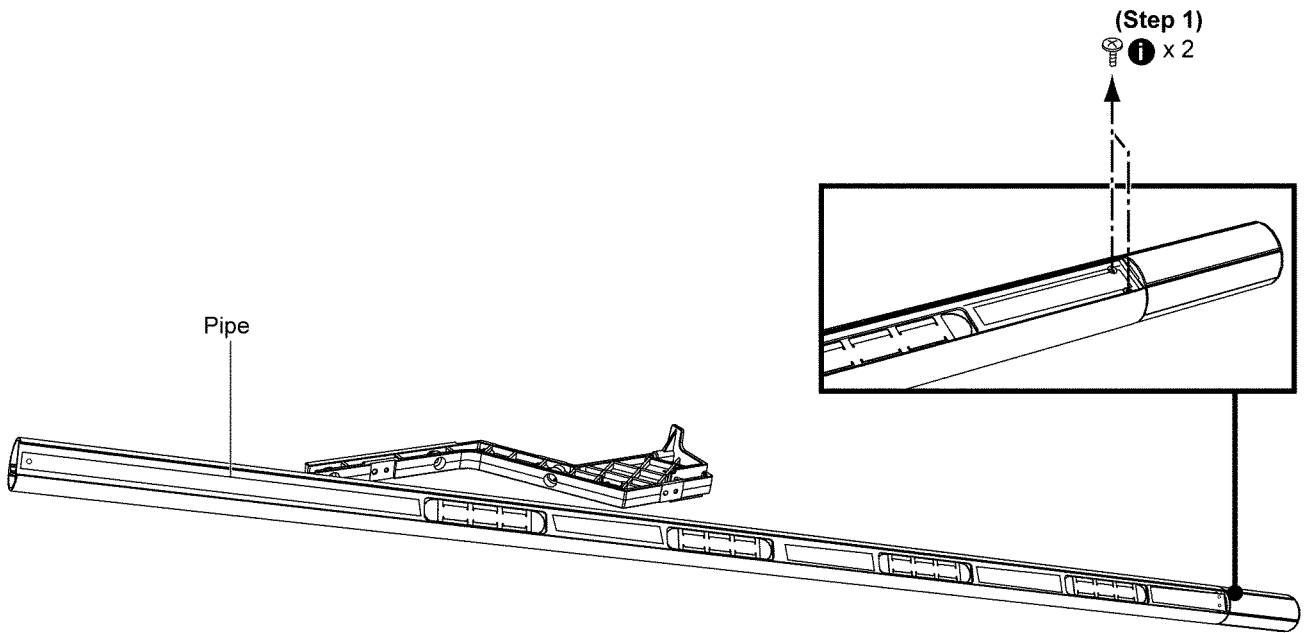
Step 3 : With the Prepared Net Assembly facing up, insert a minus screwdriver behind the net frame folded part and apply gentle force to push out the Prepared Net Assembly as arrows (1) and (2) shown.

Step 4 : Apply gentle force to remove the Prepared Net Assembly completely from the Pipe.

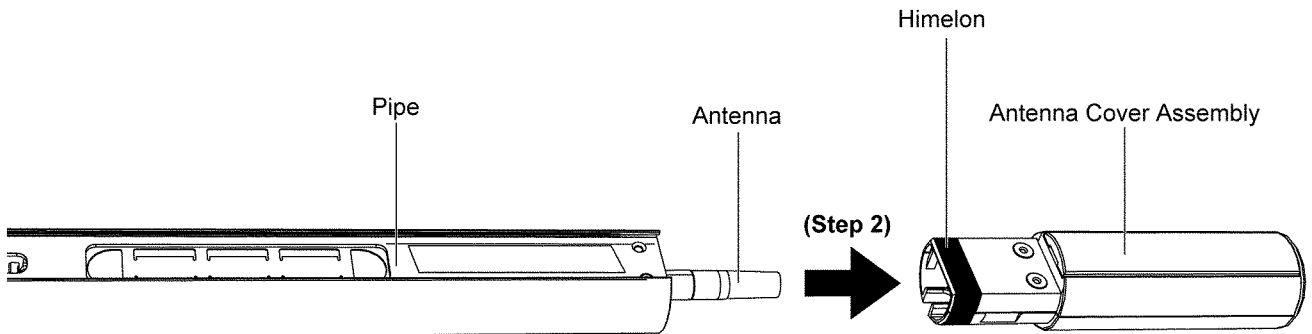
Caution : Take extra care not to tear or damage the Net during removal and assembling of the Prepared Net Assembly.

10.5.14. Disassembly of Antenna Cover Assembly

- Follow (Step 1) - (Step 14) of item 10.5.1.
- Follow (Step 1) - (Step 2) of item 10.5.12.
- Follow (Step 1) - (Step 4) of item 10.5.13.

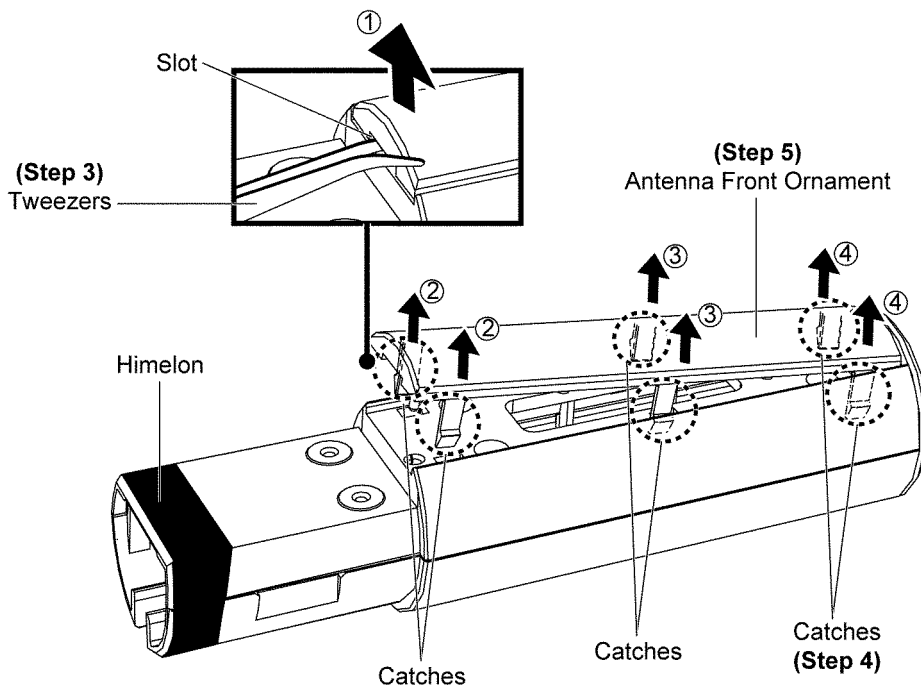


Step 1 : Remove 2 screws.

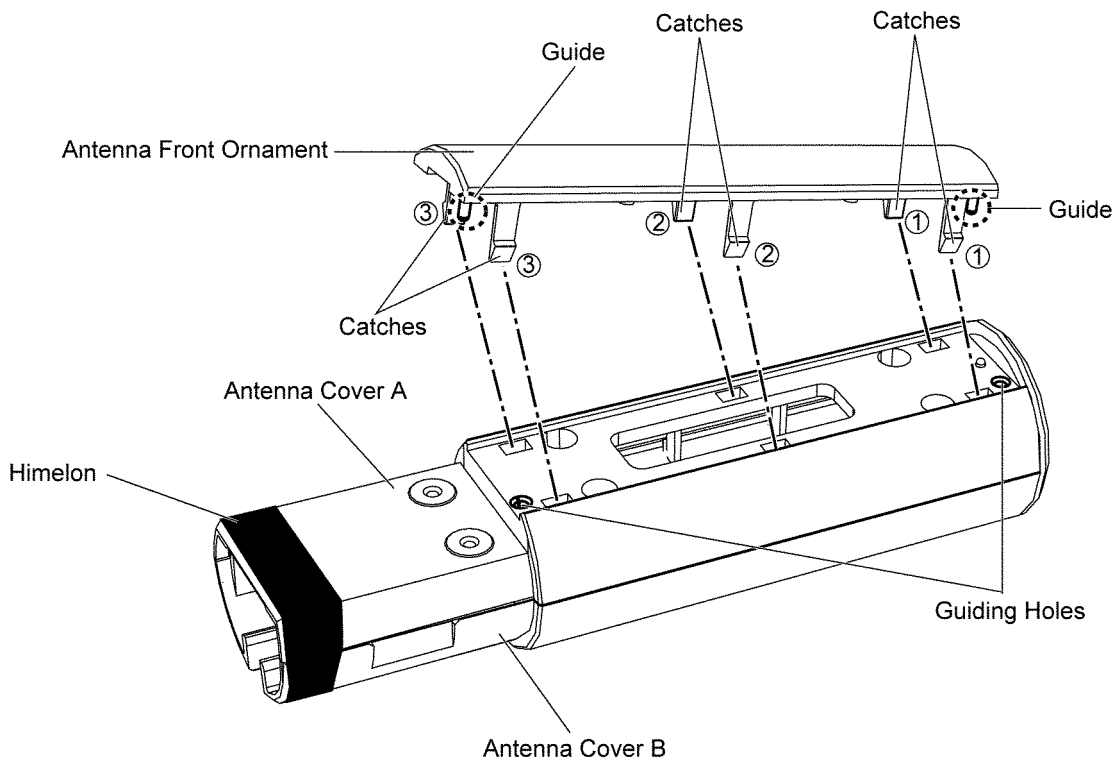


Step 2 : Remove the Antenna Cover Assembly.

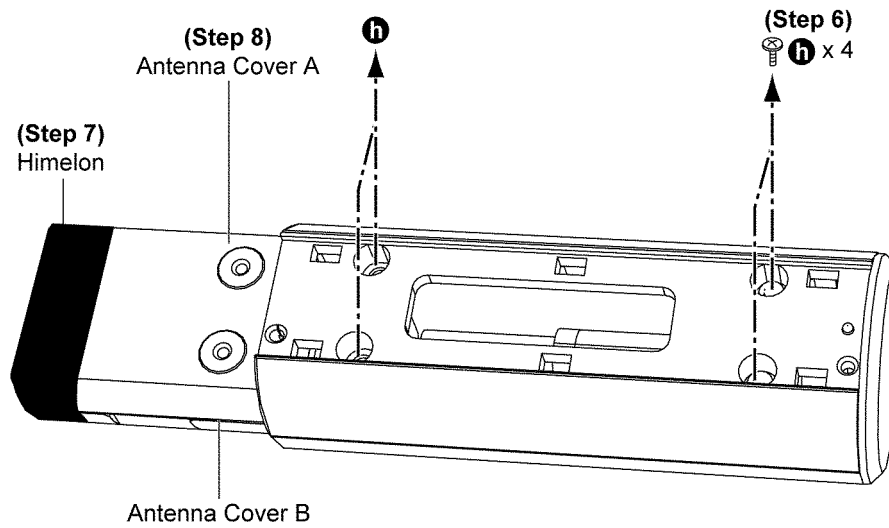
Caution : Replace the himelon if it is torn during disassembling of the Antenna Cover Assembly.



- Step 3 :** Using tweezers, lift up the front part of the Antenna Front Ornament slightly as arrow (1) shown.
- Step 4 :** Release the 6 catches on the Antenna Front Ornament gradually in order as arrows (2), (3) and (4) shown.
- Step 5 :** Remove Antenna Front Ornament.



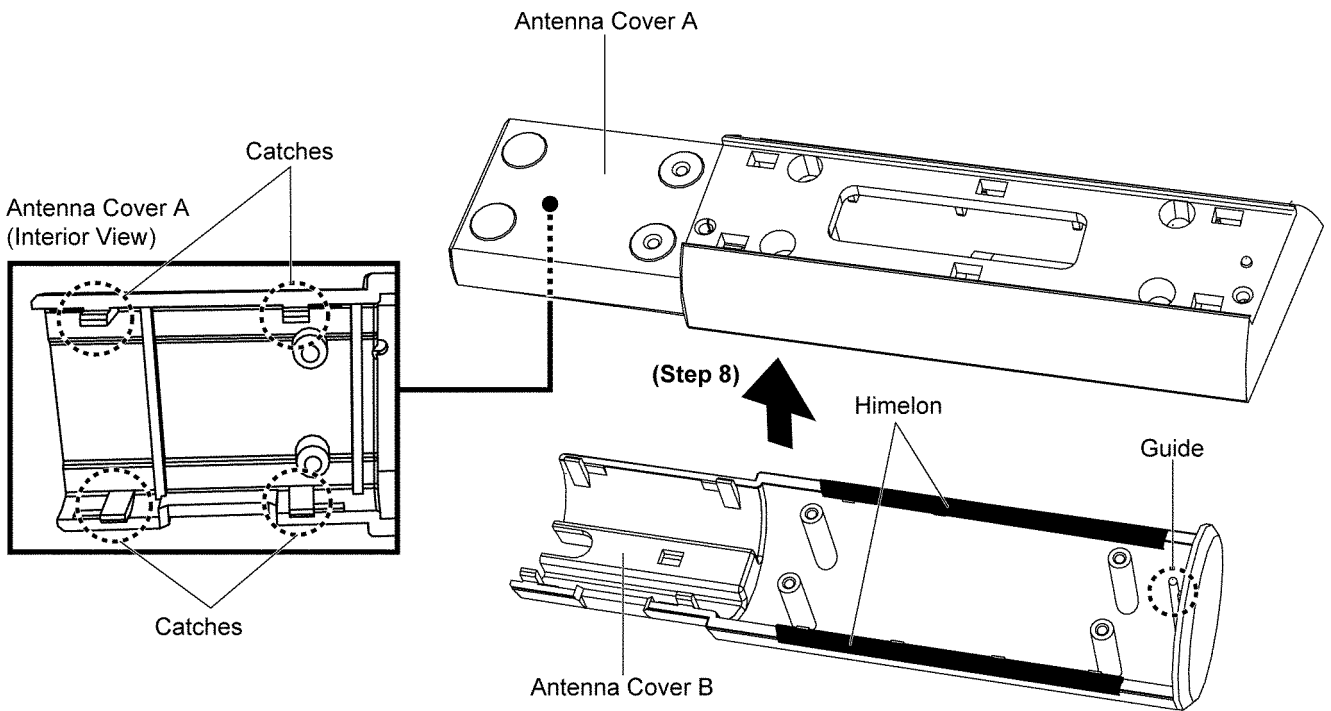
Caution : Ensure that the catches are properly caught to the Antenna Cover A in order during assembling of the Antenna Front Ornament.



Step 6 : Remove 4 screws.

Step 7 : Peel off the himelon.

Caution : During assembling, replace the himelon if it is torn.

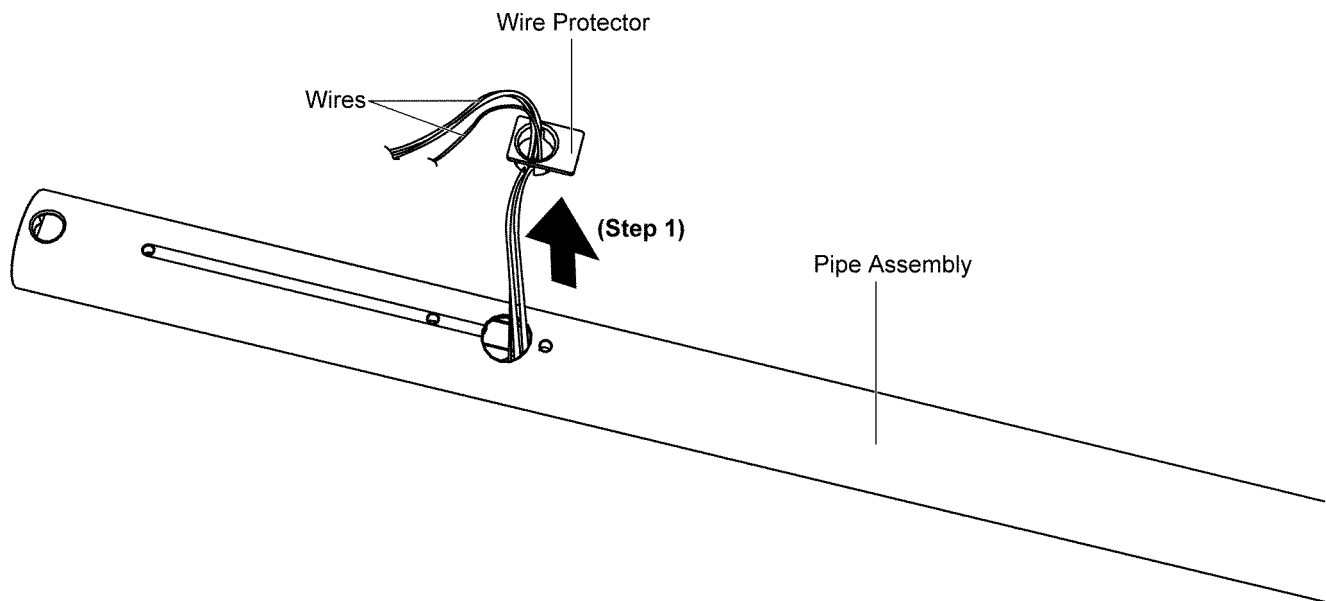


Step 8 : Lift up to detach Antenna Cover A from Antenna Cover B.

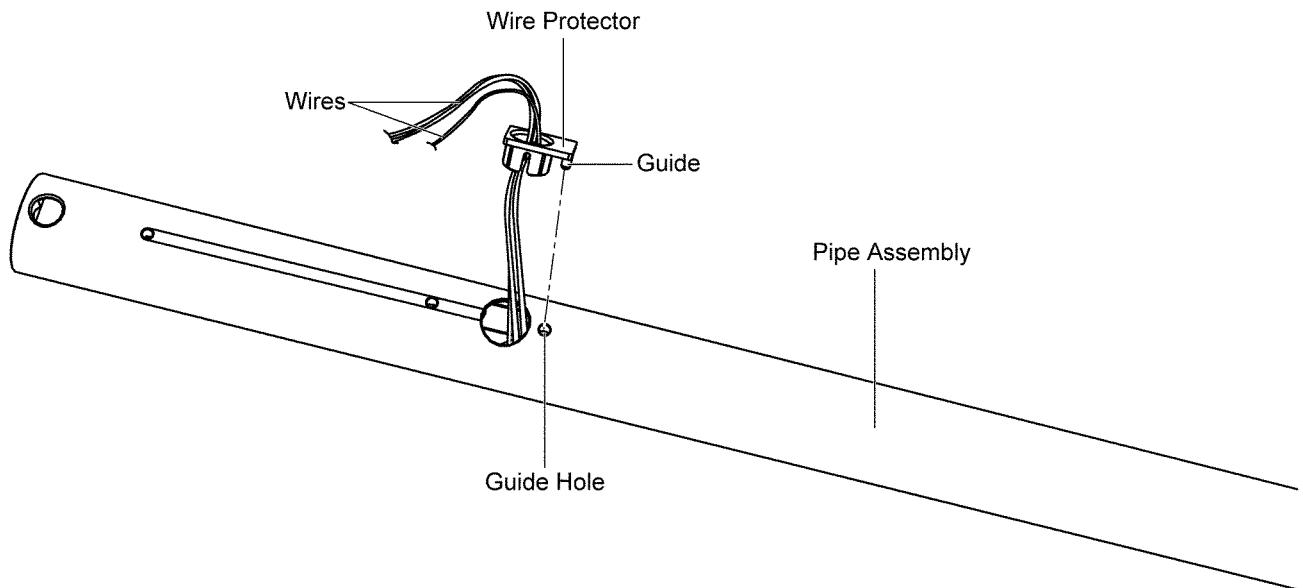
Caution : Using the 4 catches on Antenna Cover A and the guide on Antenna Cover B, ensure that Antenna Cover A and Antenna Cover B are fitted firmly together during assembling.

10.5.15. Disassembly of Antenna Wire

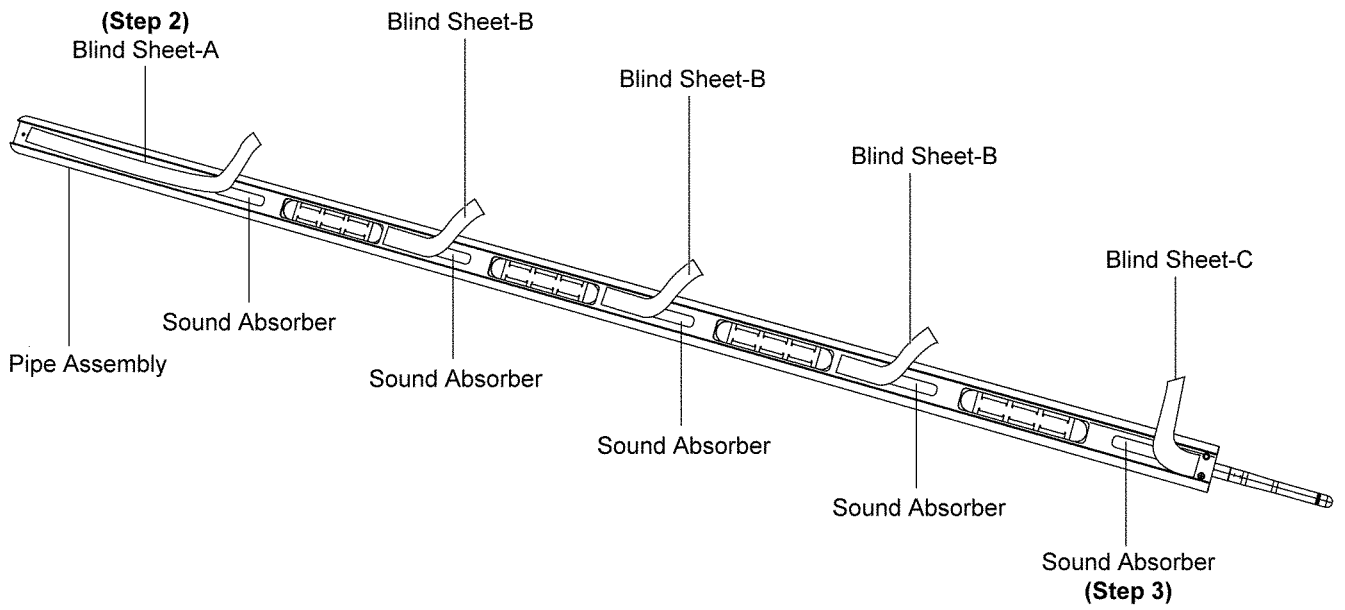
- Follow (Step 1) - (Step 14) of item 10.5.1.
- Follow (Step 1) - (Step 2) of item 10.5.12.
- Follow (Step 1) - (Step 4) of item 10.5.13.
- Follow (Step 1) - (Step 2) of item 10.5.14.



Step 1 : Detach the Wire Protector from the Pipe Assembly and remove it from the wires.



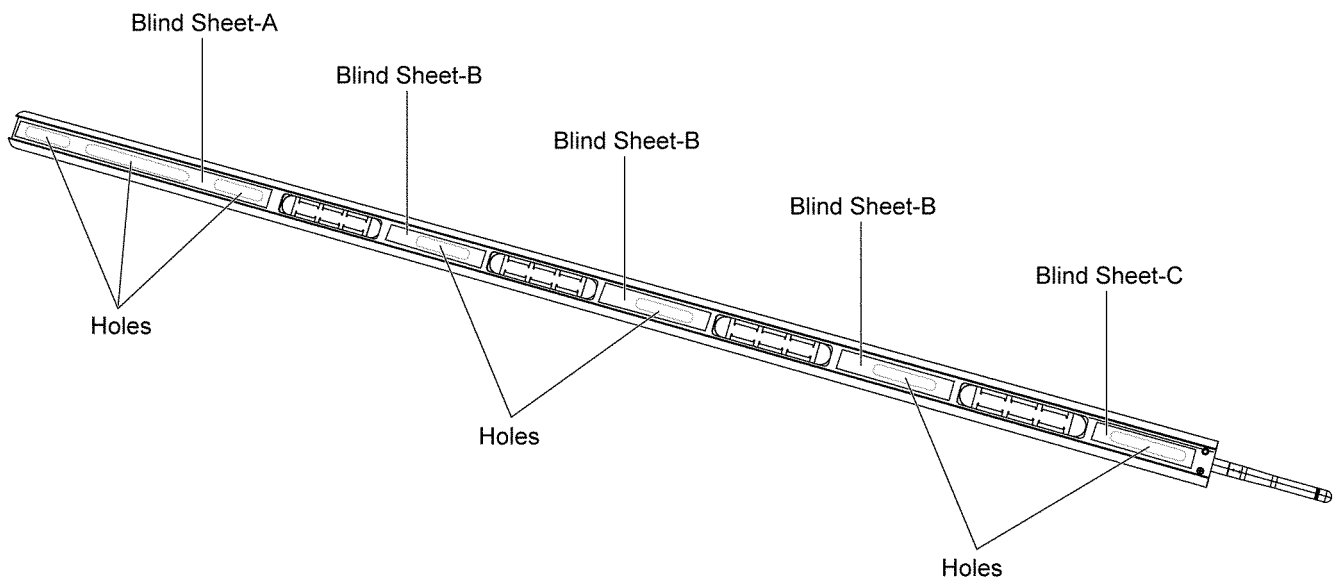
Caution : During assembling of the Wire Protector, align the Wire Protector's guide to the Pipe Assembly's guide hole and ensure that the Wire Protector is properly fitted onto the Pipe Assembly.



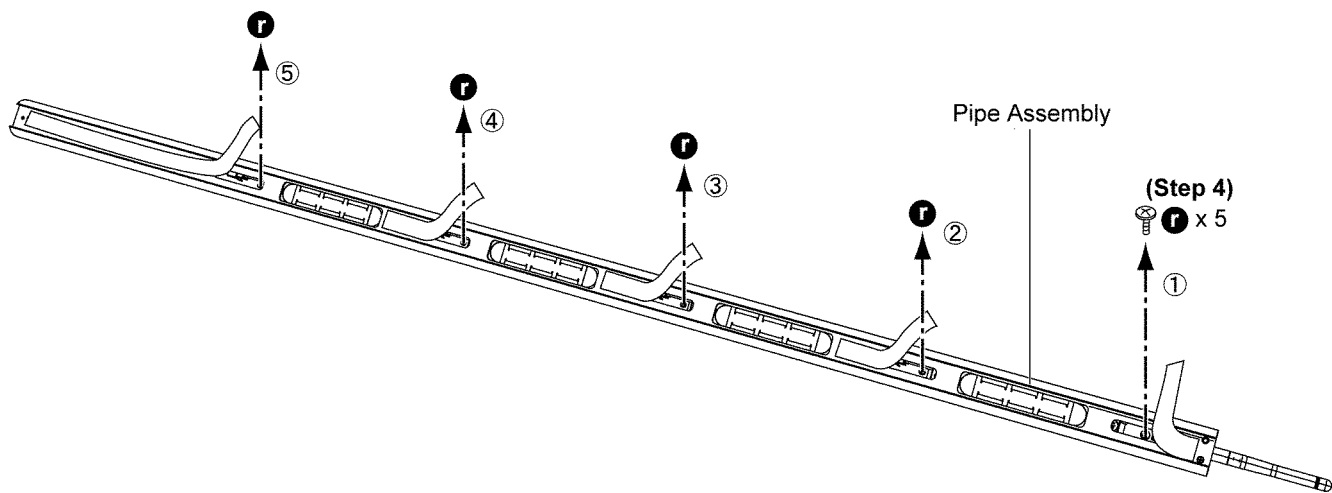
Step 2 : Lift up the Blind Sheets A, B and C, until the Sound Absorber on each side is in sight.

Step 3 : Remove the Sound Absorbers.

Caution : During assembling, replace the Blind Sheet if it is torn.

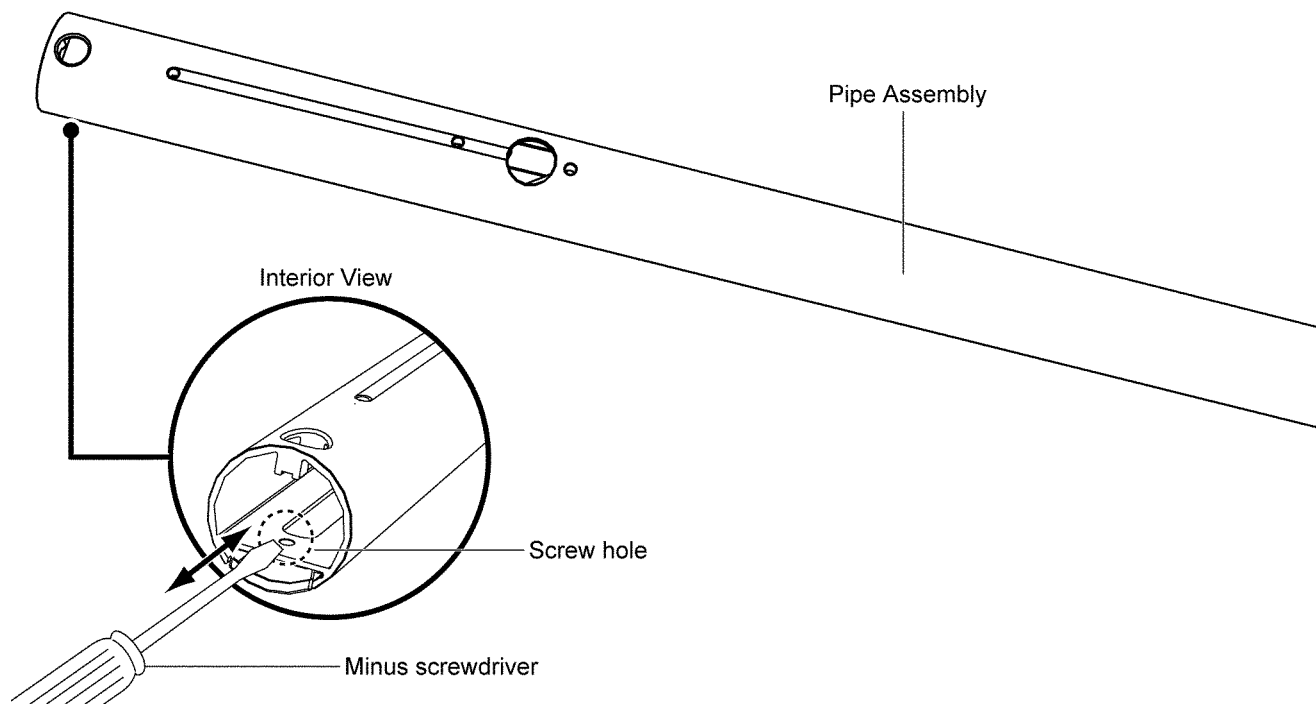


Caution : Ensure that all holes are fully covered by the Blind Sheets.

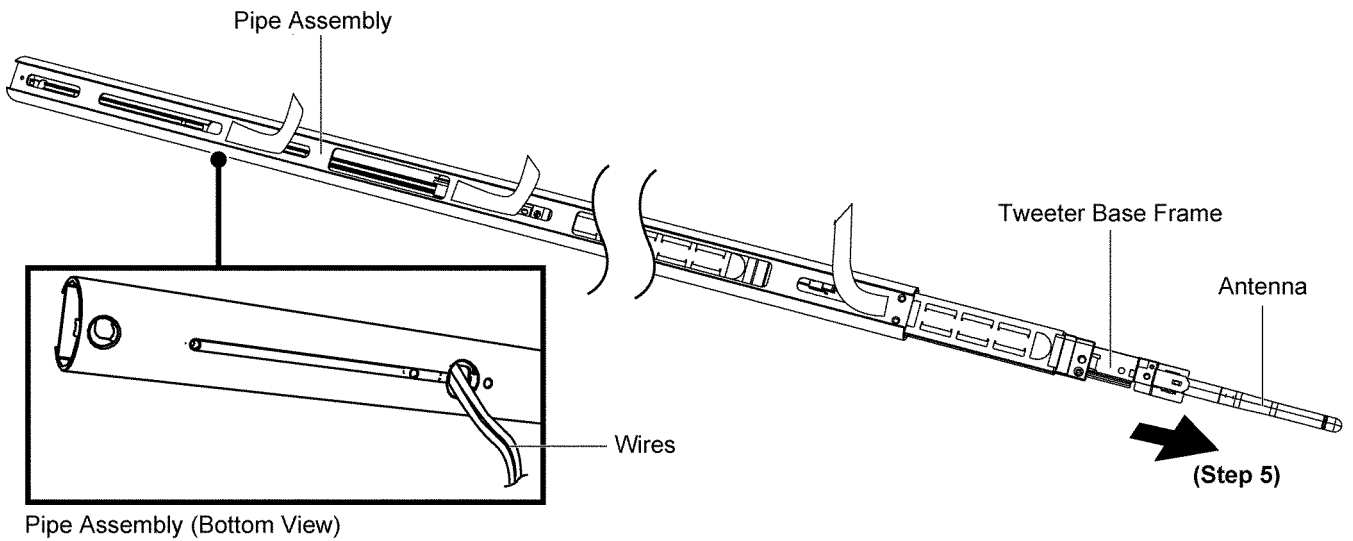


Step 4 : Remove 5 screws.

Caution : Fix 5 screws in order during assembling.



Caution : Use a minus screwdriver to scrape off the burr around the screw hole before disassembling and assembling of the Tweeter Base Frame.

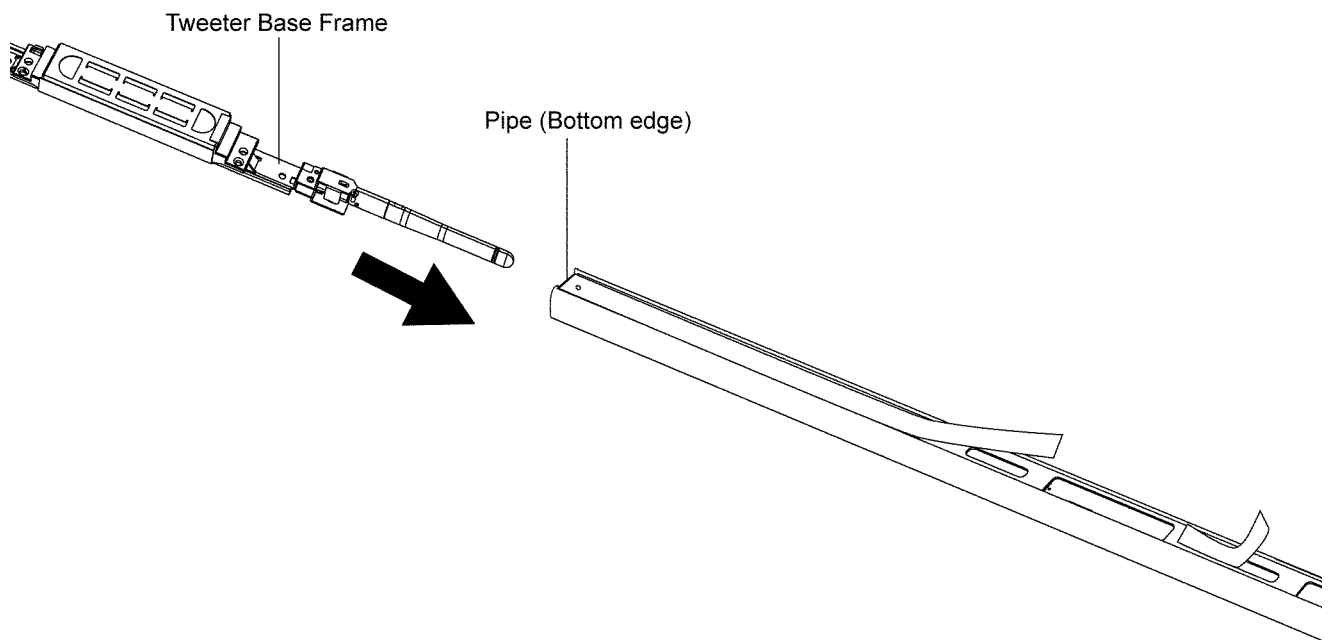


Step 5 : Gradually remove the Tweeter Base Frame from the Pipe Assembly.

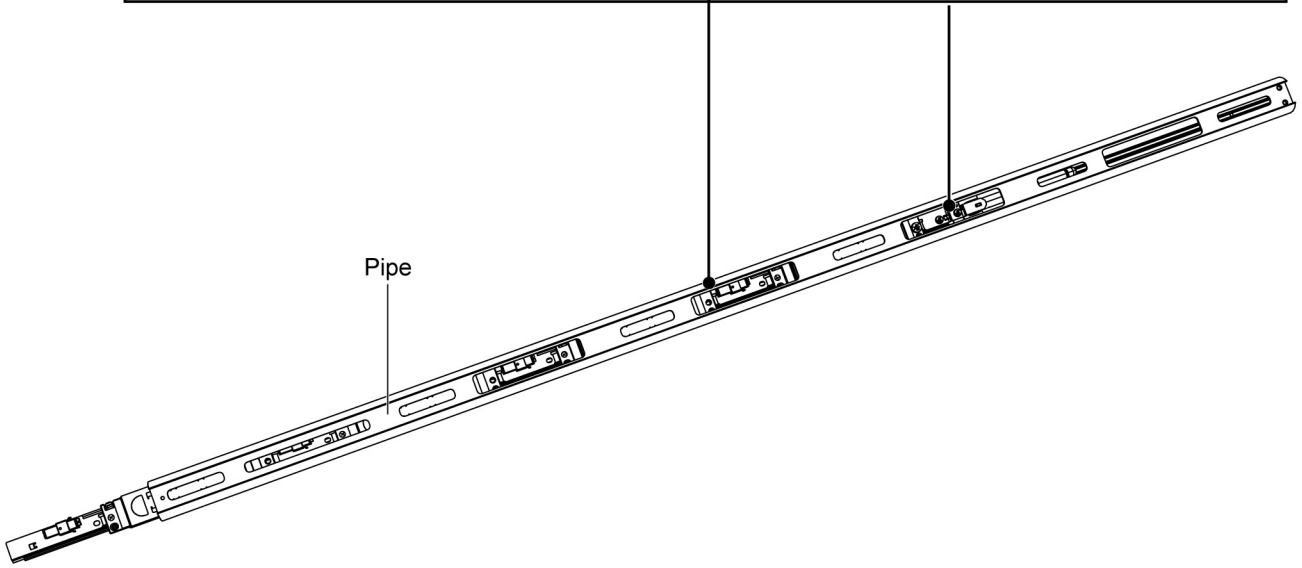
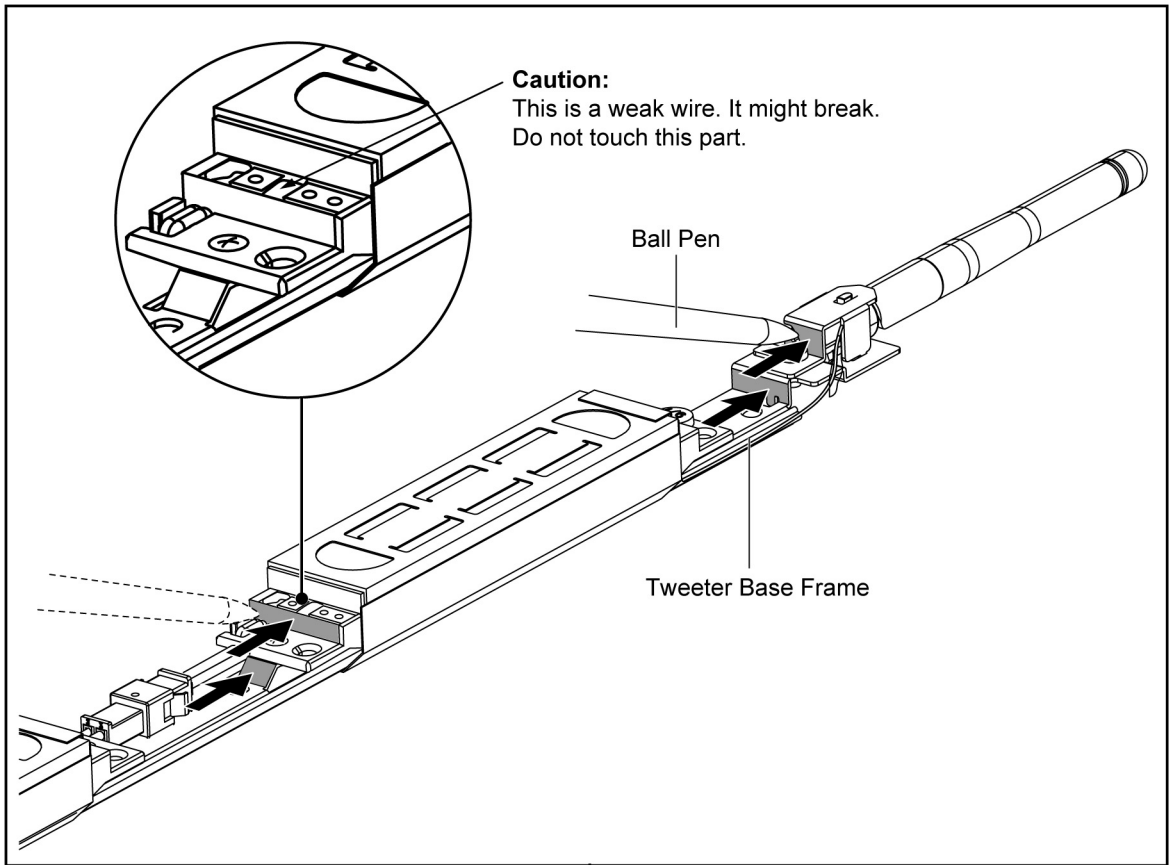
Caution 1 : Gradually insert the wires into the Pipe while the Tweeter Base Frame is being removed.

Caution 2 : Take extra care not to damage the wires during assembling and removal of the Tweeter Base Frame.

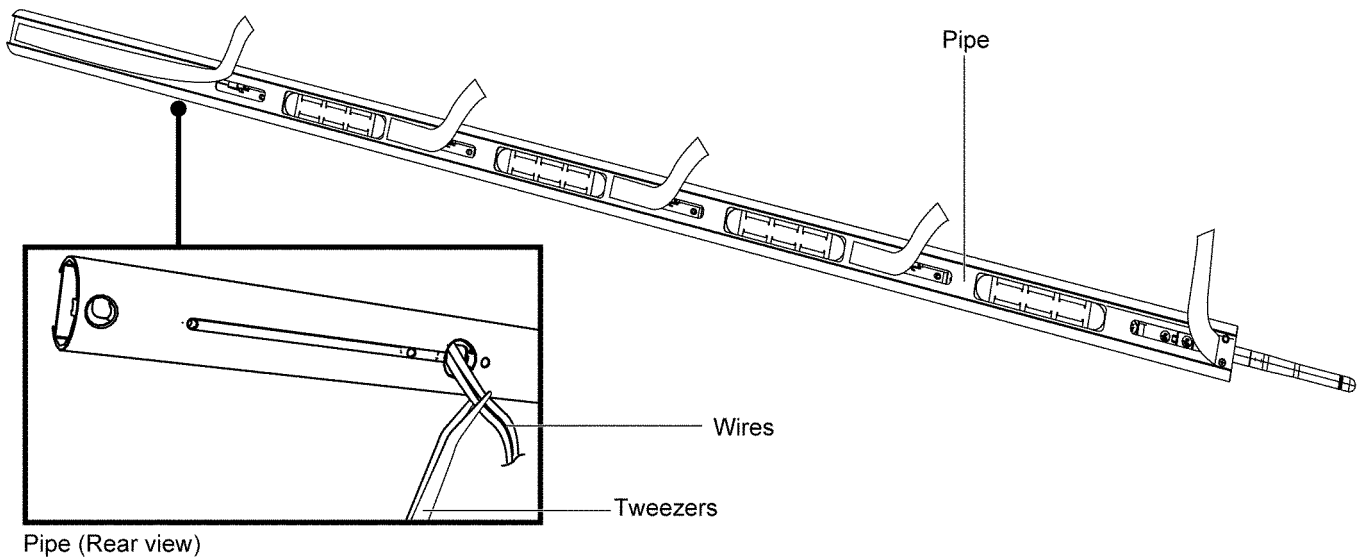
Caution 3 : Take extra care not to damage the antenna during assembling and removal of the Tweeter Base Frame.



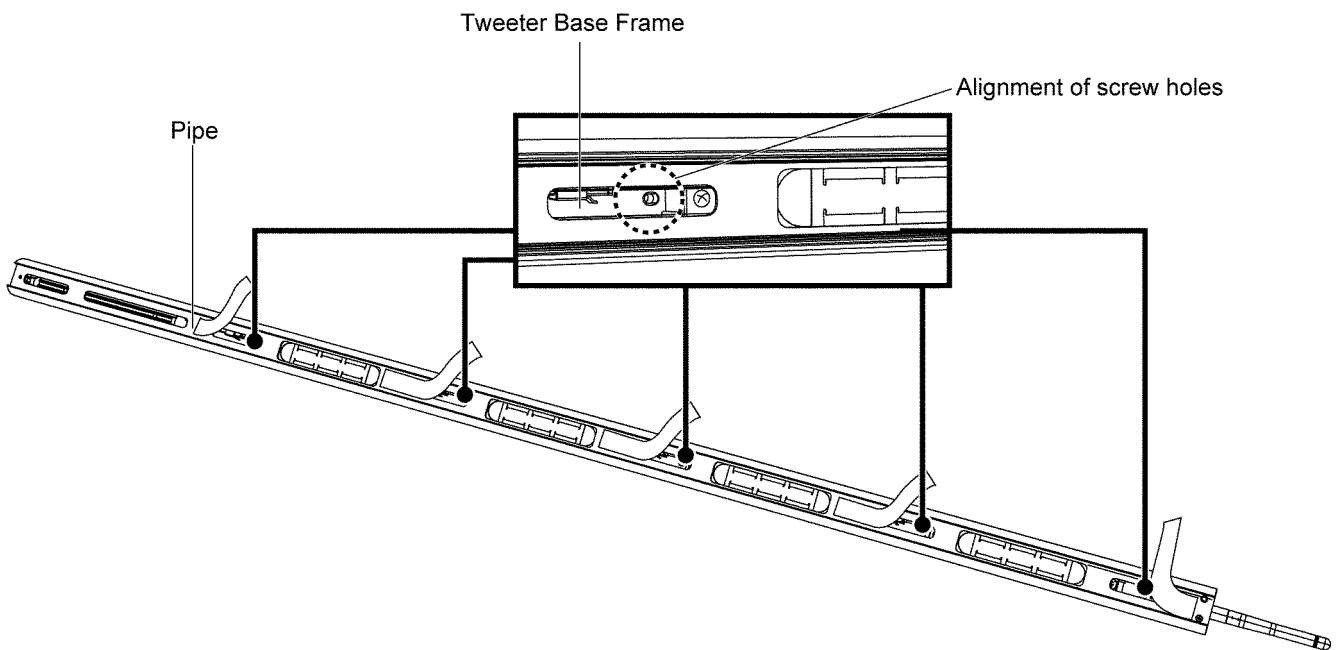
Caution 4 : During assembling of the Tweeter Base Frame, insert the Tweeter Base Frame into the Pipe gradually from the bottom edge.



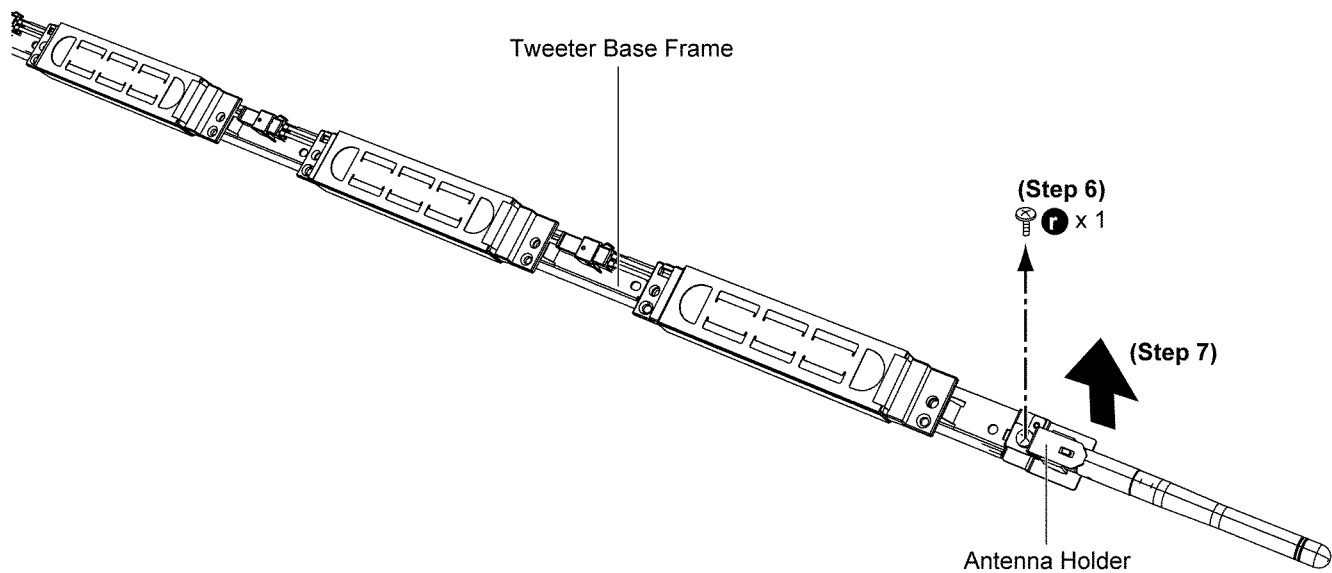
Caution 5 : During assembling, gradually insert the Tweeter Base Frame by using a ball point pen (with the ball point hidden) to push at the 4 designated gray areas.



Caution 6 : During assembling, after the Tweeter Base Frame inserted into the Pipe, pull out the wires with tweezers.

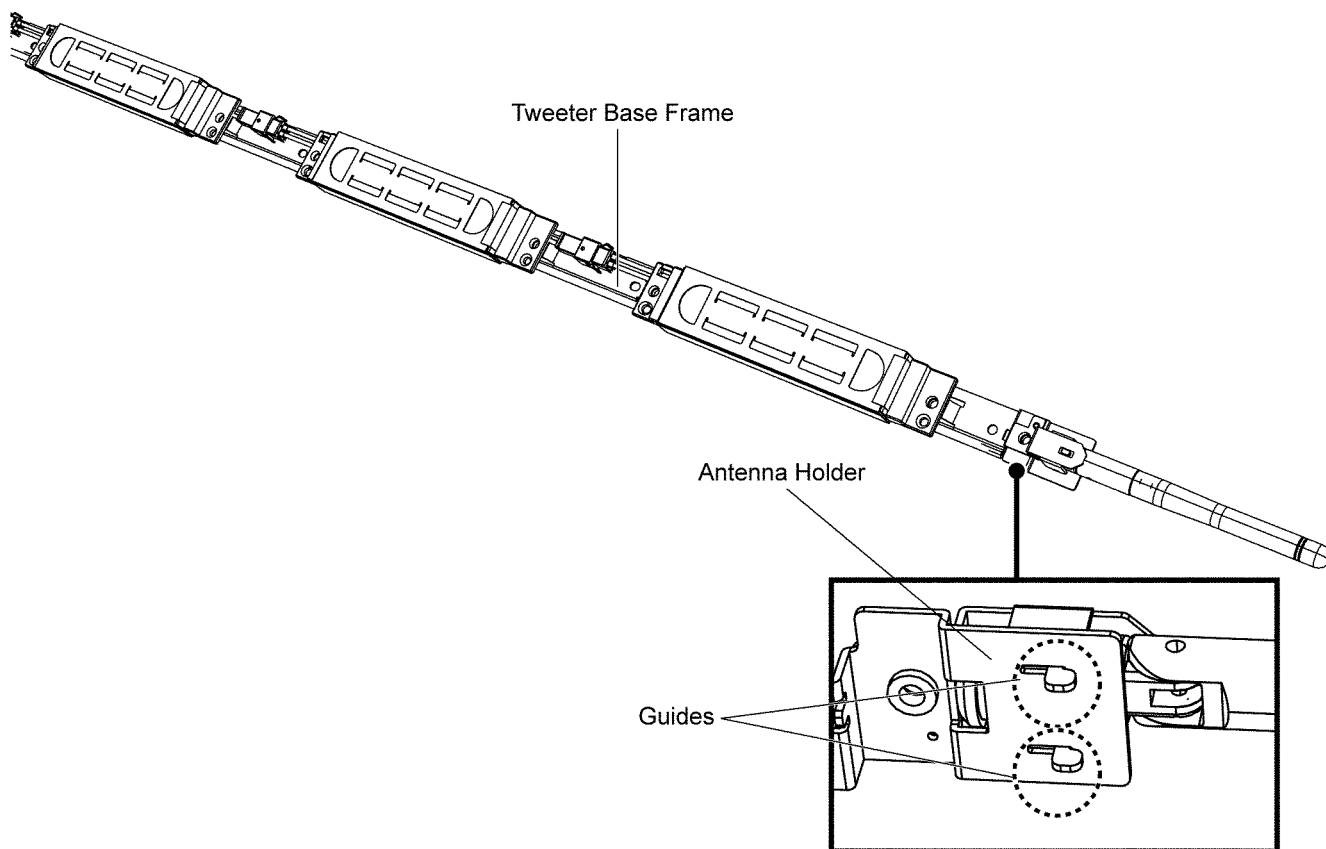


Caution 7 : During assembling of the Tweeter Base Frame, ensure that the screw holes of the Tweeter Base Frame are respectively aligned with the screw holes in the interior of the Pipe to allow proper fixation of screws.

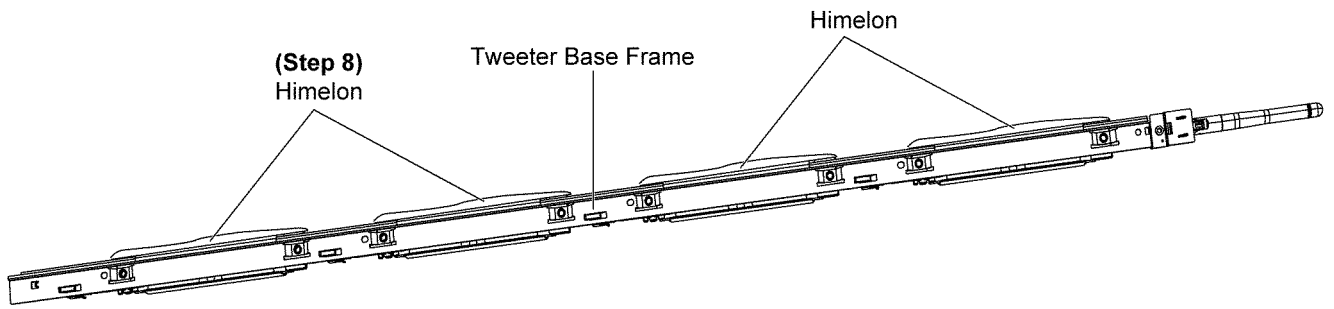


Step 6 : Remove 1 screw.

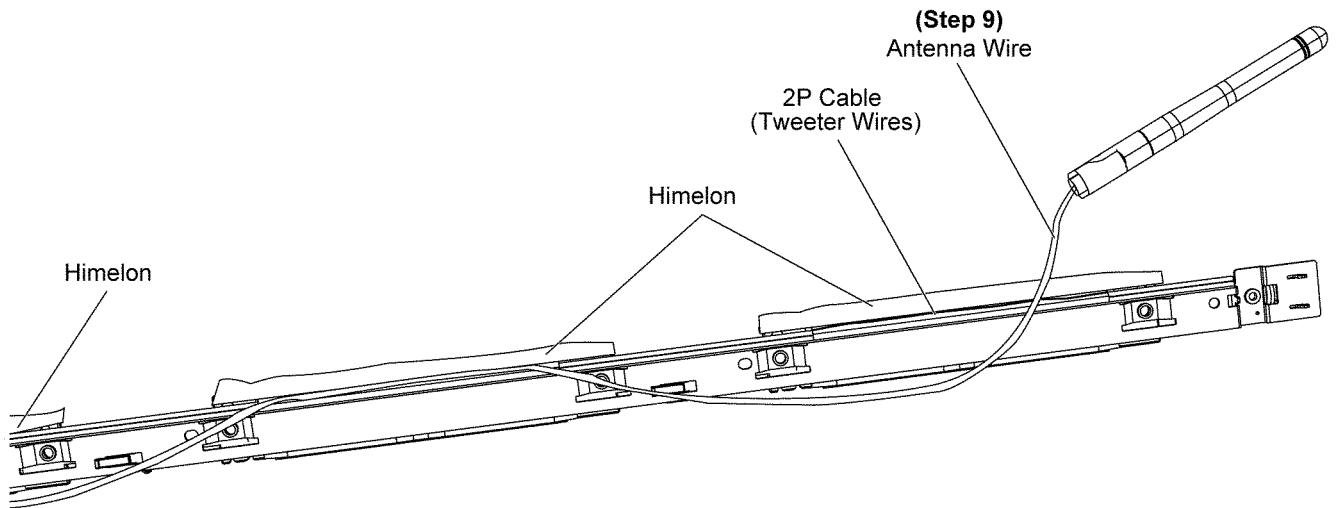
Step 7 : Remove the Antenna Holder.



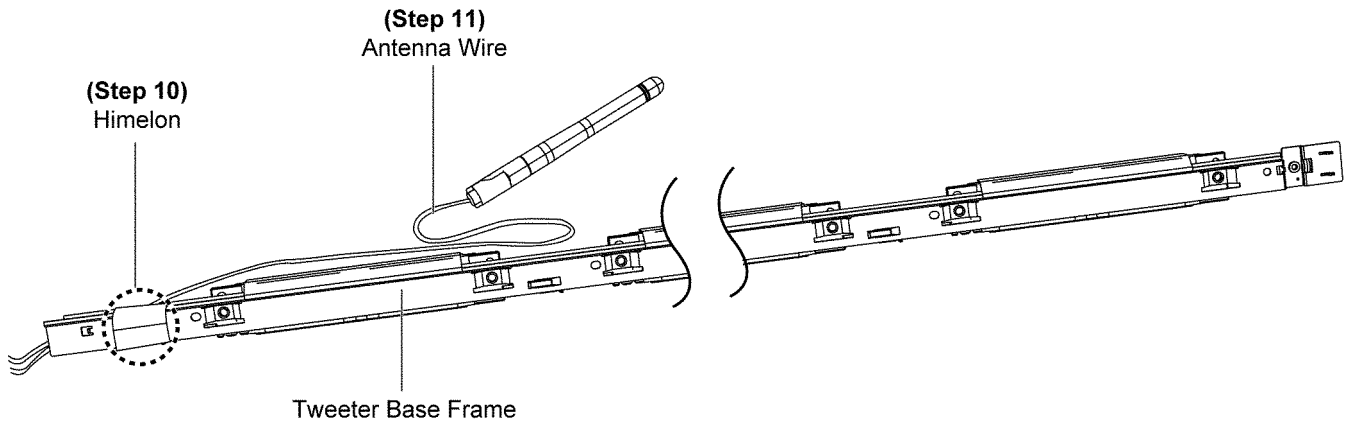
Caution : Ensure that the 2 guides on the Antenna Holder are properly located into the Tweeter Base Frame during assembling.



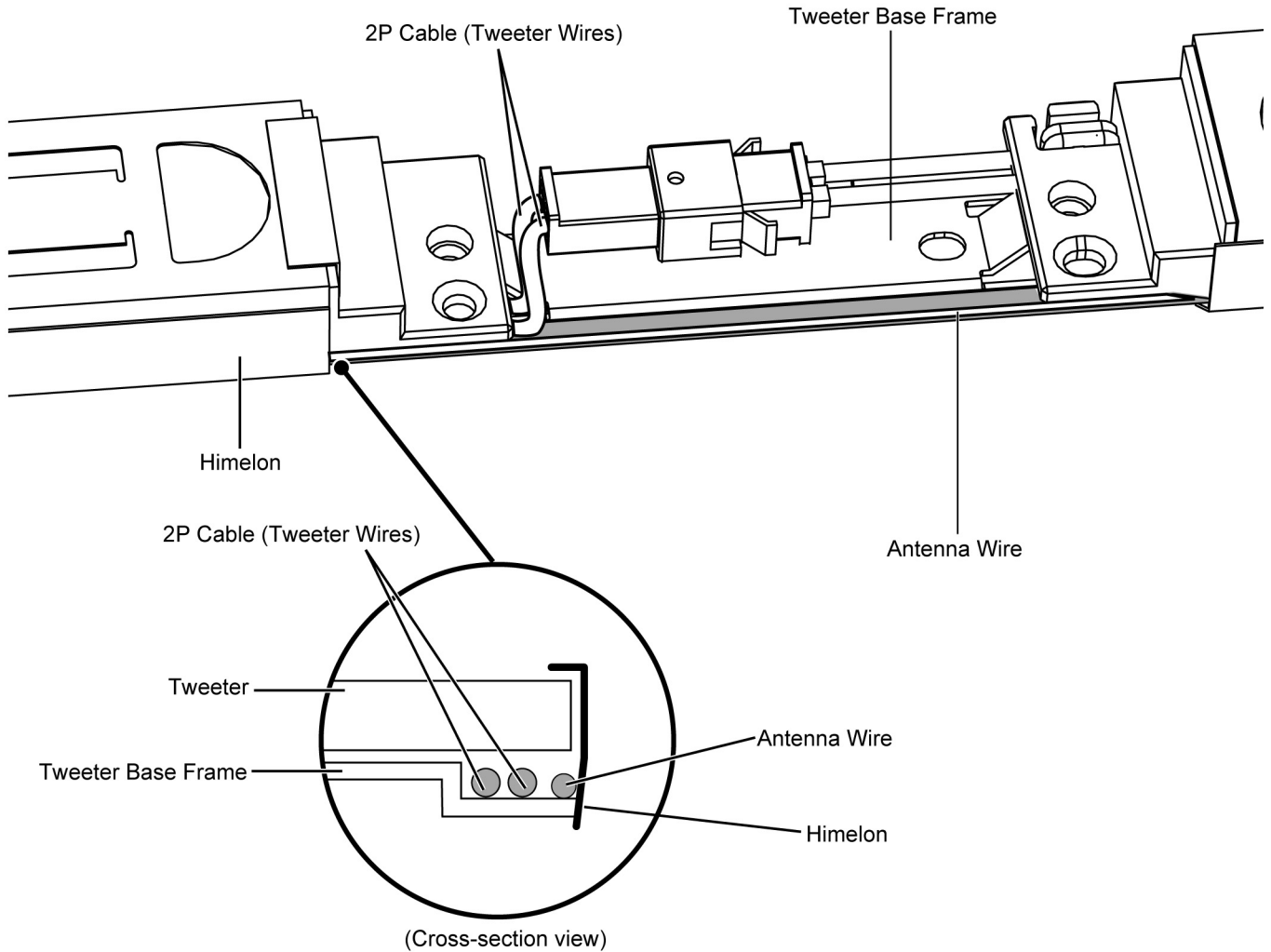
Step 8 : Lift up 4 pieces of himelon from the Tweeter Base Frame.
Caution : During assembling, replace the himelon if it is torn.



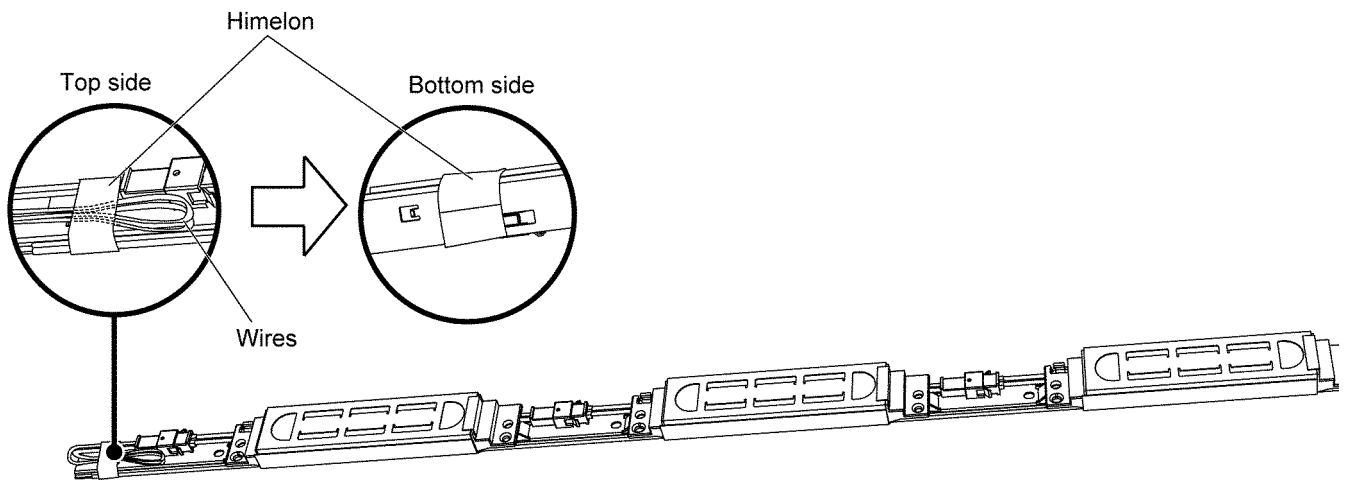
Step 9 : Gradually remove the antenna wire amongst the 2P cable (tweeter wires) bound by the himelon.
Caution : During assembling of the antenna wire, replace the himelon and ensure that the 2P cable (tweeter wires) and antenna wire are firmly bound to the Tweeter Base Frame.



Step 10 : Remove the himelon on the Tweeter Base Frame.
Step 11 : Remove the antenna wire.



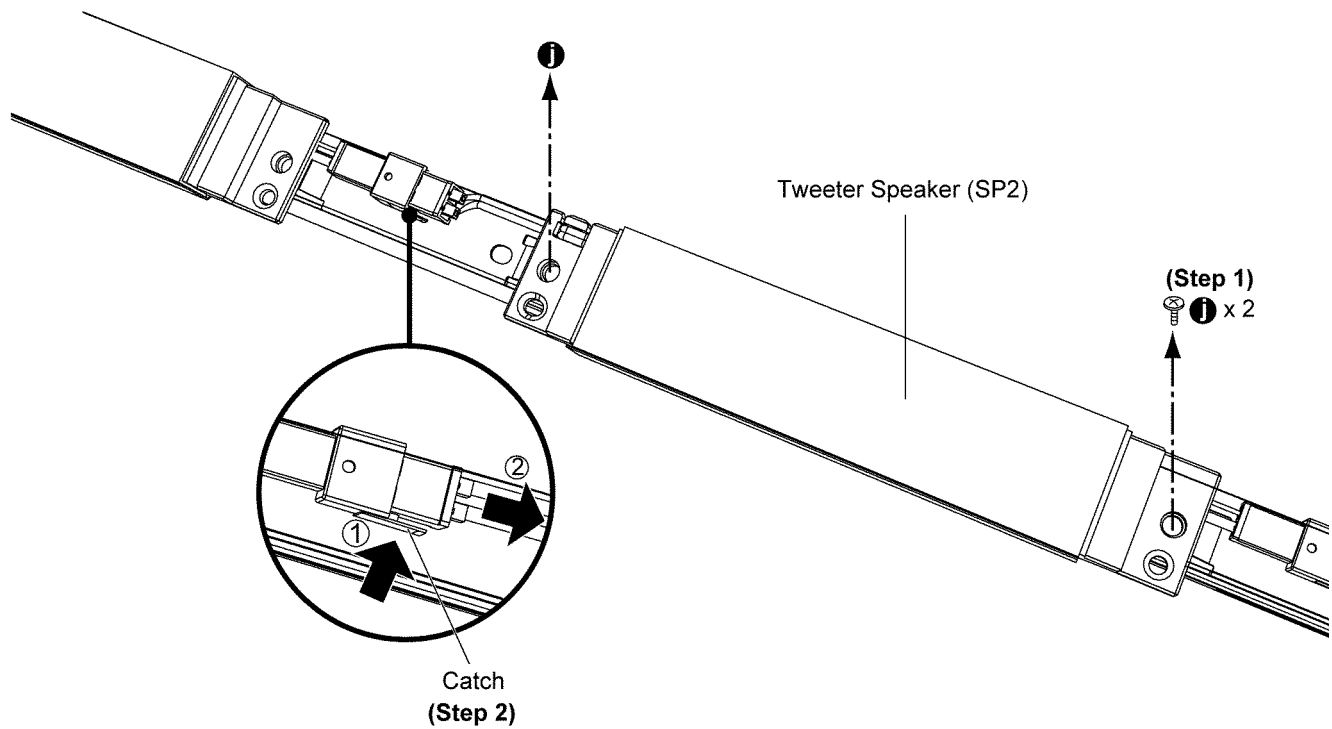
Caution 1 : During assembling, place the 2P cable (tweeter wires) and antenna wire on the gray area of the Tweeter Base Frame under the Tweeter as shown in the cross-section view.
Caution 2 : Before pasting the himelon, ensure that the antenna wire stay within the Tweeter Base Frame.



Caution 3 : Ensure that the wires are bound by the himelton at the bottom side of the Tweeter Base Frame.

10.5.16. Disassembly of Tweeter Speakers (SP2 / SP3 / SP4 / SP5)

- Follow the (Step 1) - (Step 14) of item 10.5.1.
- Follow the (Step 1) - (Step 3) of item 10.5.12.
- Follow the (Step 1) - (Step 4) of item 10.5.13.
- Follow the (Step 1) - (Step 2) of item 10.5.14.
- Follow the (Step 1) - (Step 8) of item 10.5.15.



Step 1 : Remove 2 screws.

Step 2 : Press to release catch in order as arrows shown to remove Tweeter Speaker (SP2).

[Repeat the same steps for Tweeter Speakers (SP3 / SP4 / SP5)]

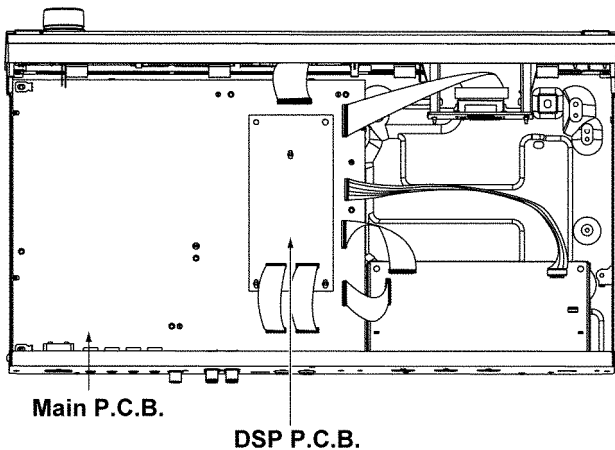
11 Service Position

Note: For description of the disassembly procedures, see the Section 10.4.

11.1. Main Unit (SU-ZT1)

11.1.1. Checking and Repairing of Main P.C.B. and DSP P.C.B.

Step 1 : Remove the Top Cabinet.

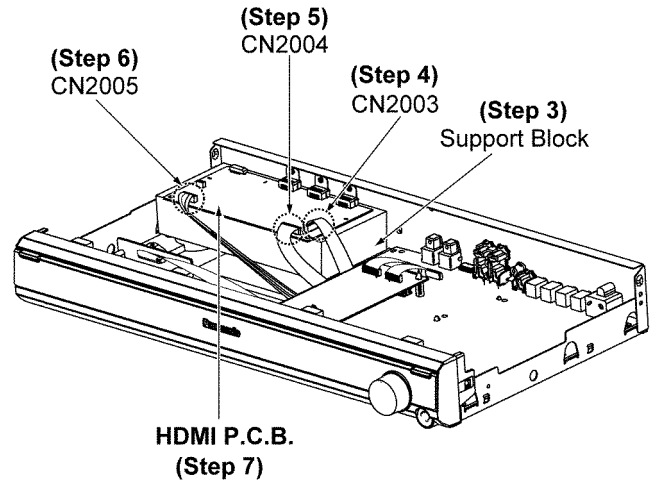


Step 2 : Check and repair the Main P.C.B. and DSP P.C.B. according to the diagram shown.

11.1.2. Checking and Repairing of HDMI P.C.B.

Step 1 : Remove the Top Cabinet.

Step 2 : Remove the HDMI P.C.B.



Step 3 : Place a support block underneath the HDMI P.C.B.
Step 4 : Connect 15P FFC at the connector (CN2003) on the HDMI P.C.B.
Step 5 : Connect 16P FFC at the connector (CN2004) on the HDMI P.C.B.
Step 6 : Connect 7P cable at the connector (CN2005) on the HDMI P.C.B.
Step 7 : Check and repair HDMI P.C.B. according to the diagram shown.

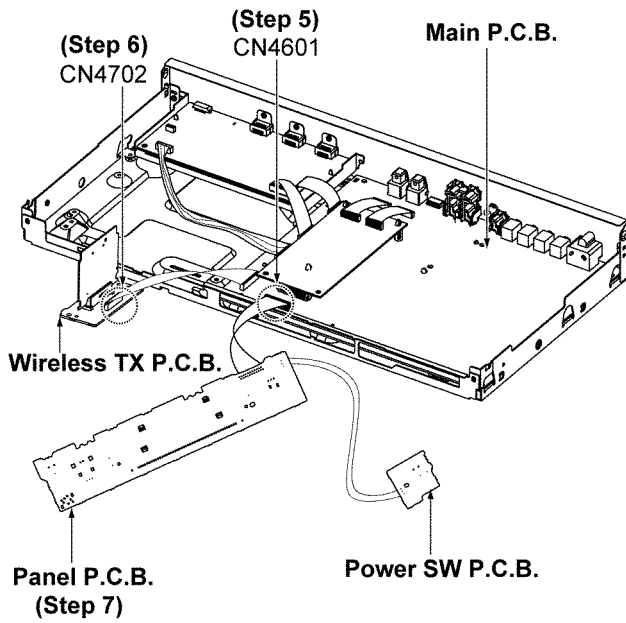
11.1.3. Checking and Repairing of Wireless TX P.C.B., Panel P.C.B. and Power SW P.C.B.

Step 1 : Remove the Top Cabinet.

Step 2 : Remove the Wireless TX P.C.B.

Step 3 : Remove the Front Cabinet.

Step 4 : Remove the Panel P.C.B. and Power SW P.C.B.



Step 5 : Connect 22P FFC at the connector (CN4601) on the Main P.C.B.

Step 6 : Connect 19P FFC at the connector (CN4702) on the Wireless TX P.C.B.

Step 7 : Check and repair the Wireless TX P.C.B., Panel P.C.B. and Power SW P.C.B. according to the diagram shown.

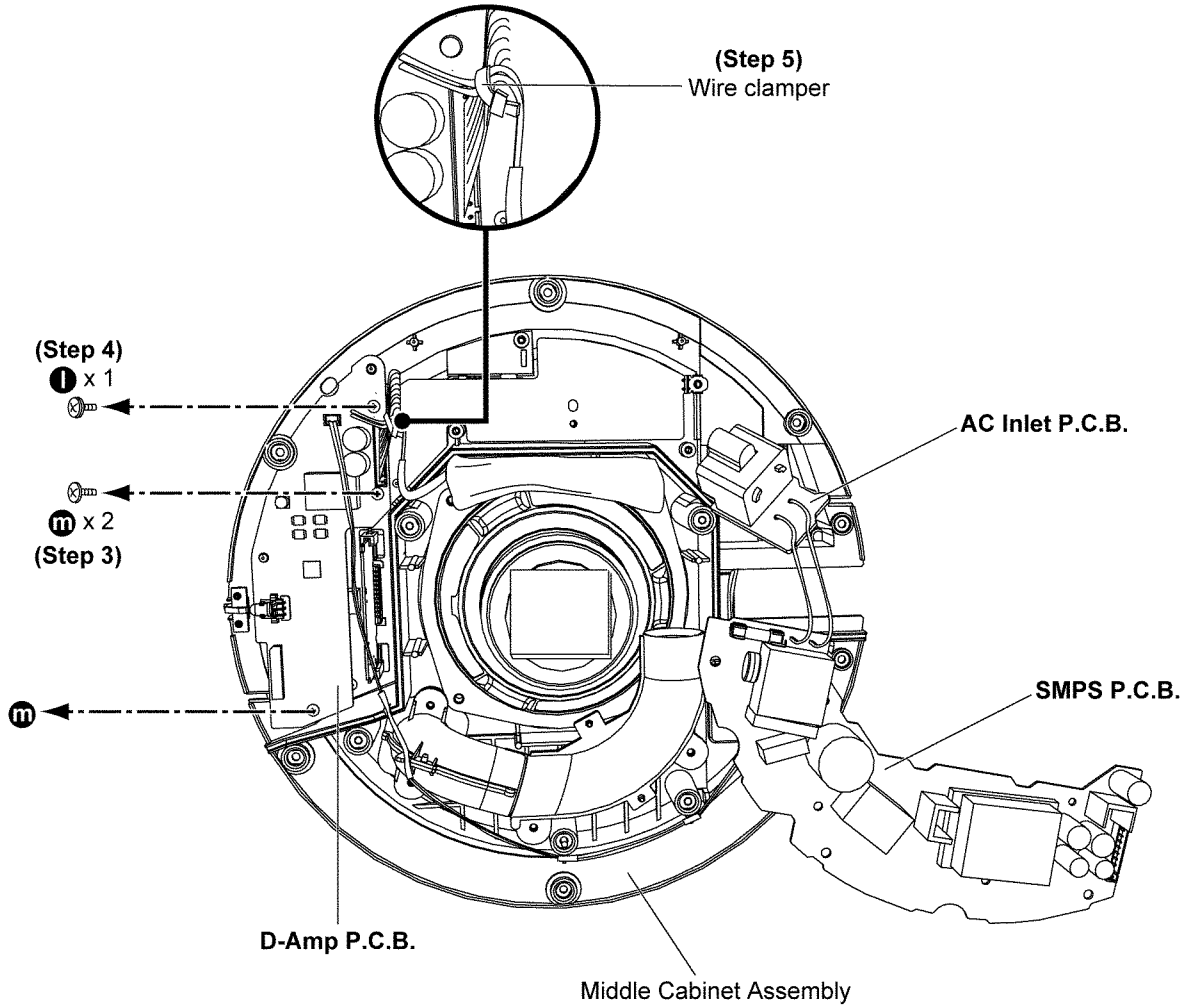
11.2. Speaker Unit (SB-ZT1)

Note: For description of the disassembly procedures, see the Section 10.5.

11.2.1. Checking and Repairing of SMPS P.C.B., D-Amp P.C.B. and Input P.C.B.

Step 1 : Lift up Middle Cabinet Assembly from the Woofer Cover Assembly.

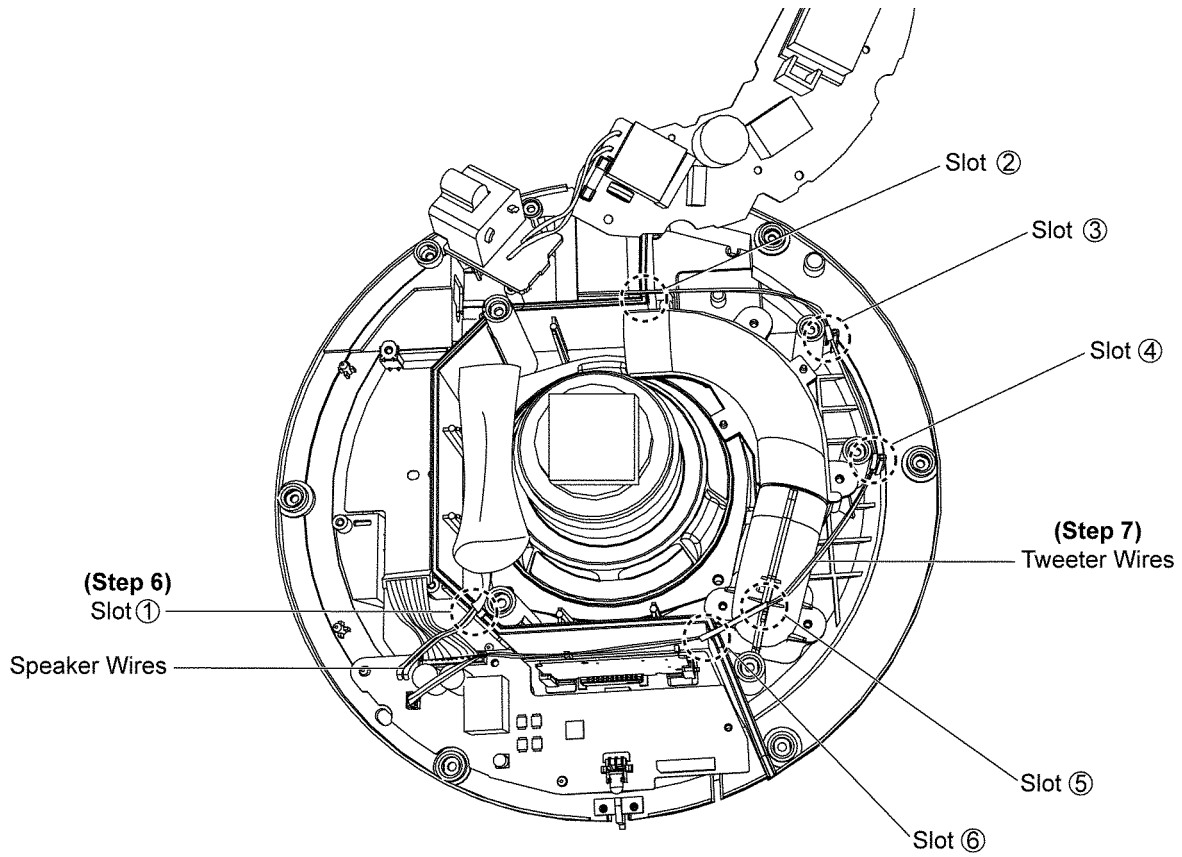
Step 2 : Remove the SMPS P.C.B. and AC Inlet P.C.B.



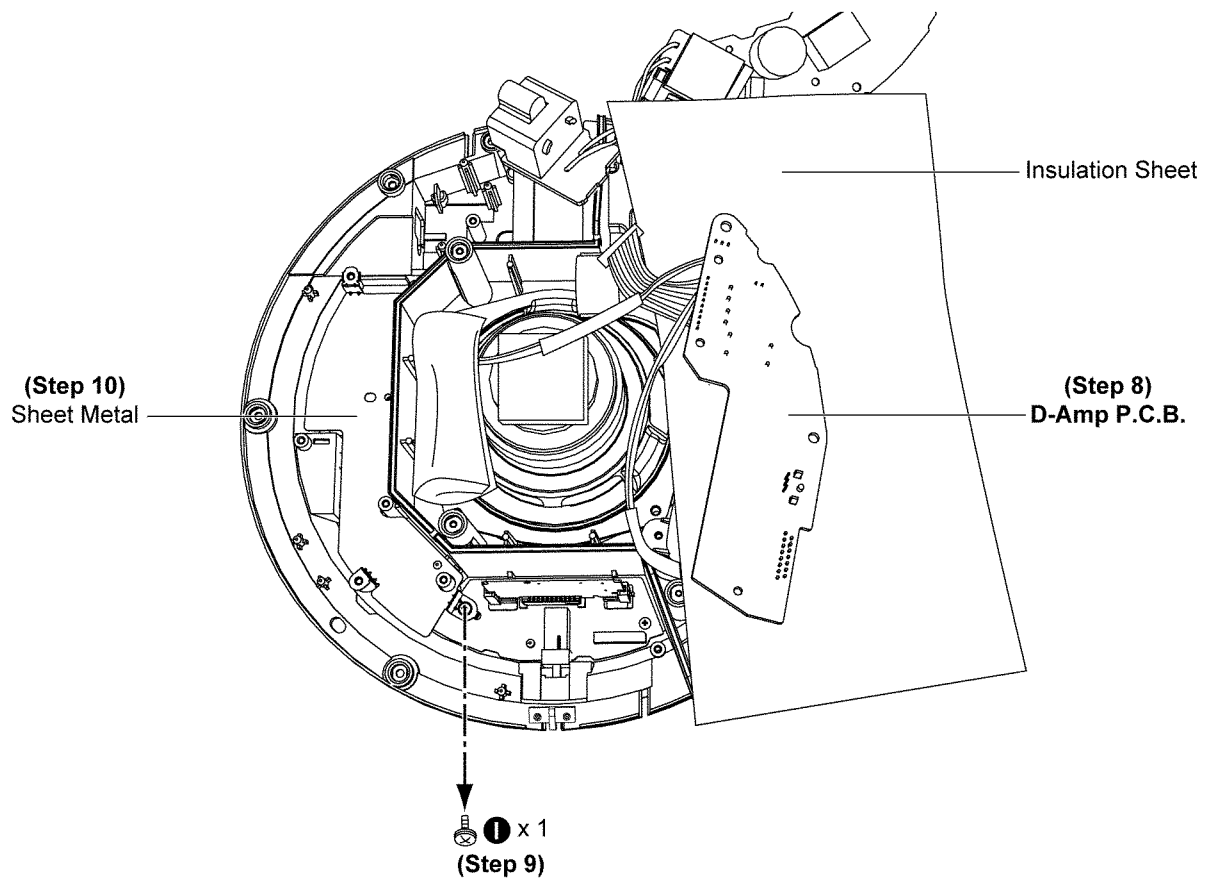
Step 3 : Remove 2 screws.

Step 4 : Remove 1 screw.

Step 5 : Remove Wire Clasper.



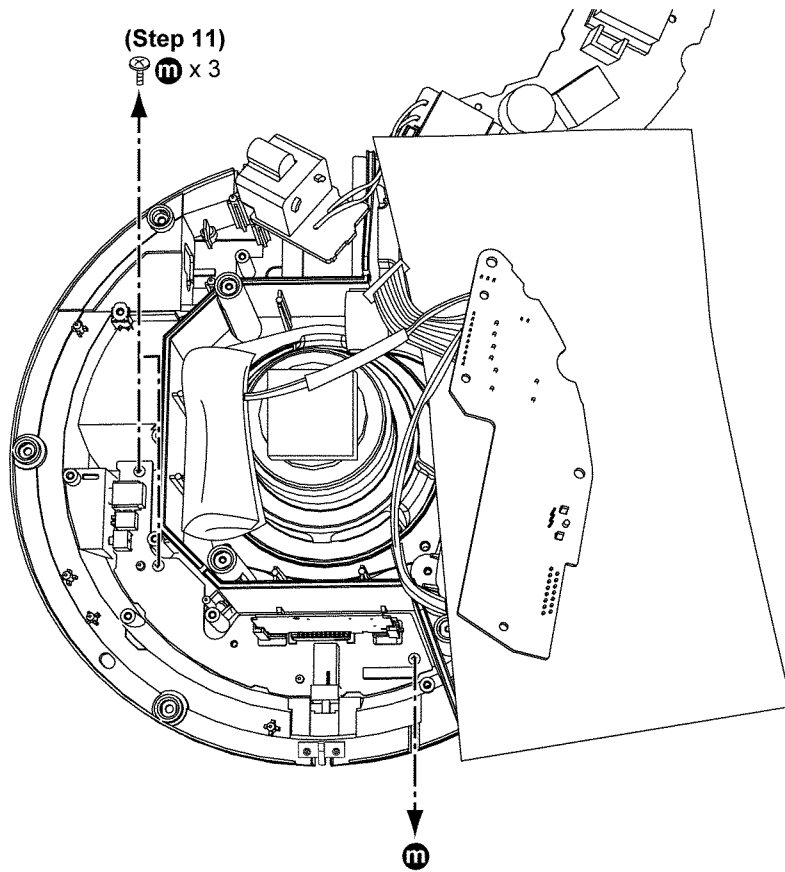
- Step 6** : Remove the speaker wires from the slot (1).
Step 7 : Remove the tweeter wires from slots (2) ~ (6).



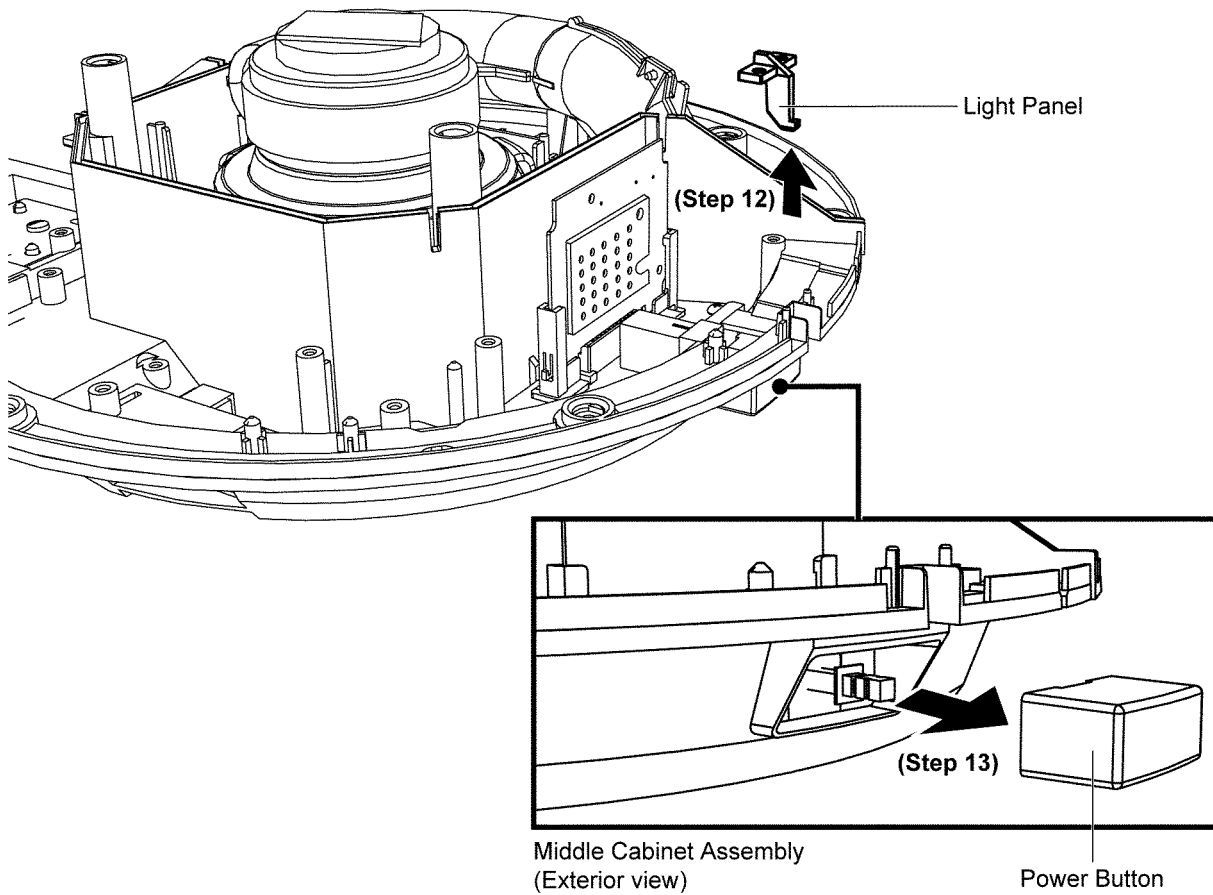
Step 8 : Flip over the D-Amp P.C.B. and place it on an insulation sheet.

Step 9 : Remove 1 screw.

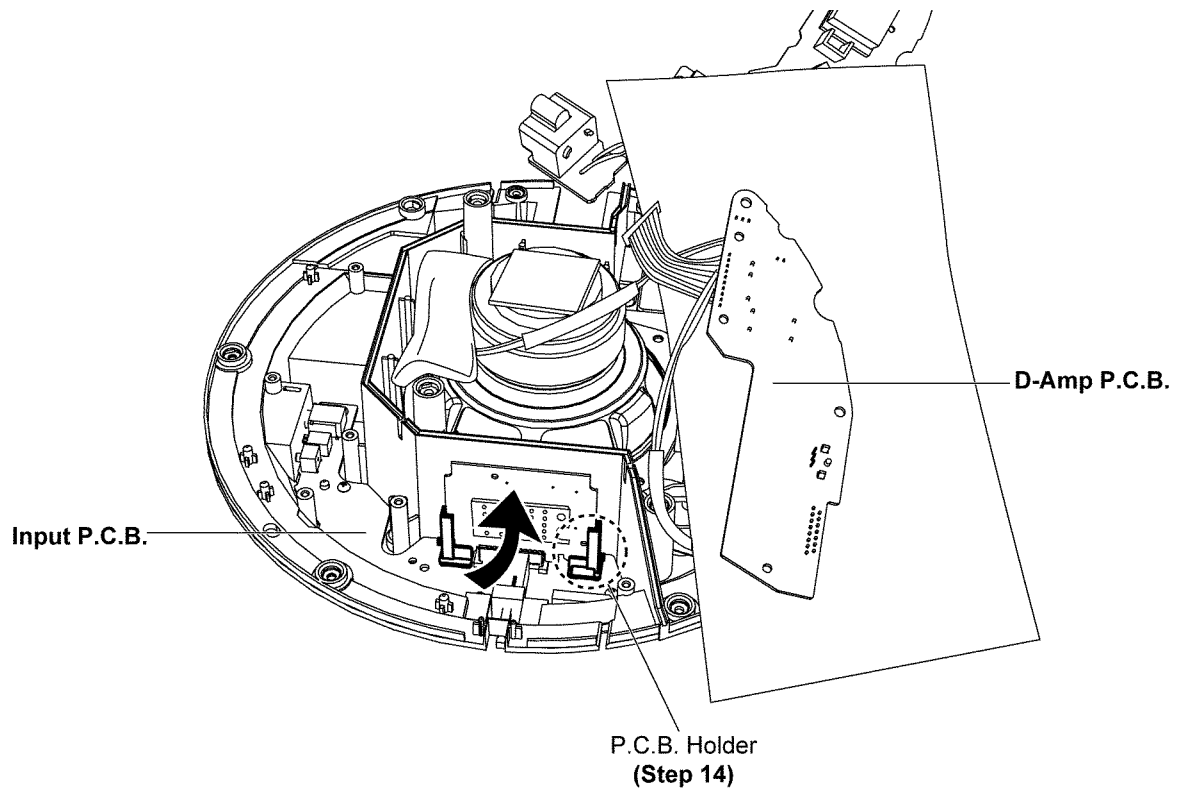
Step 10 : Remove the Sheet Metal.



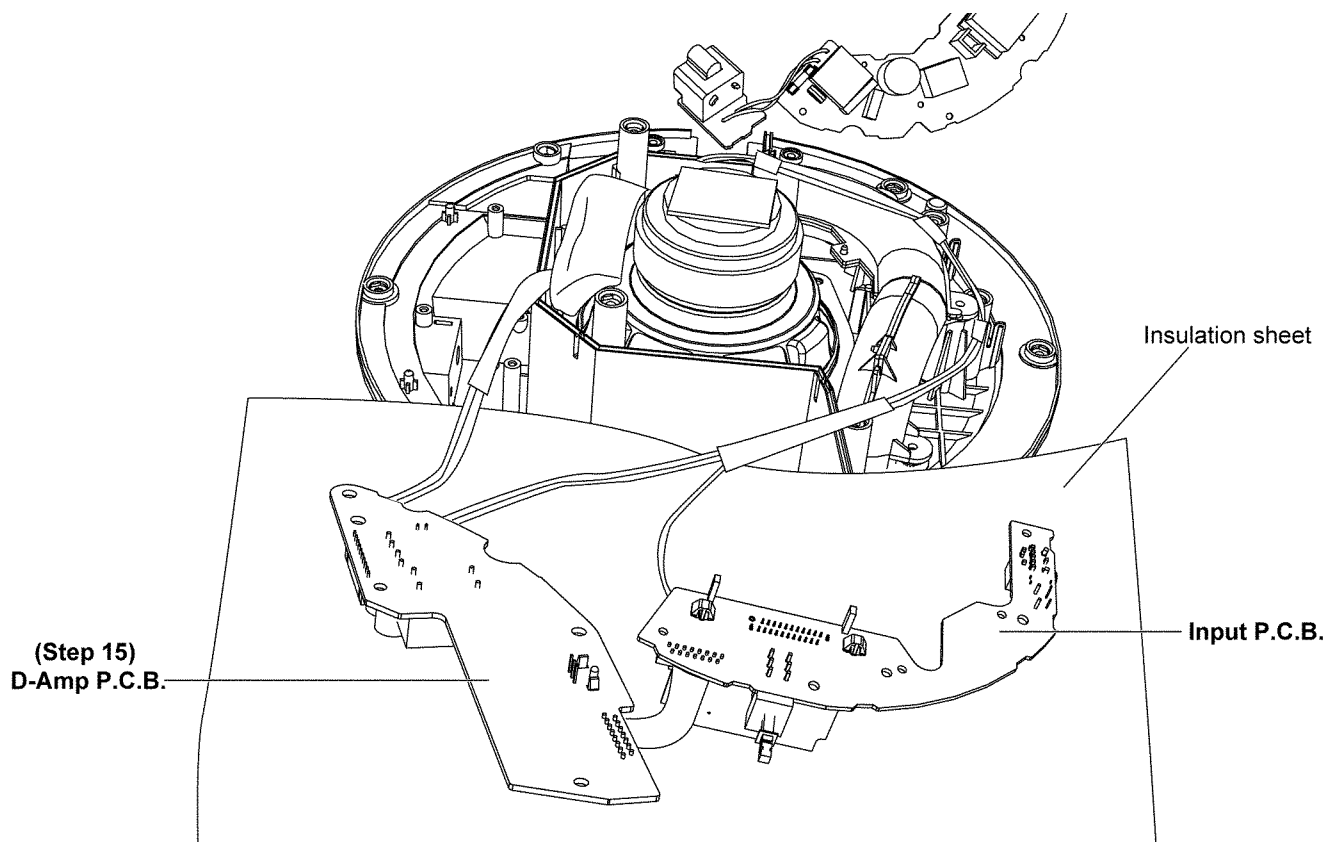
Step 11 : Remove 3 screws.



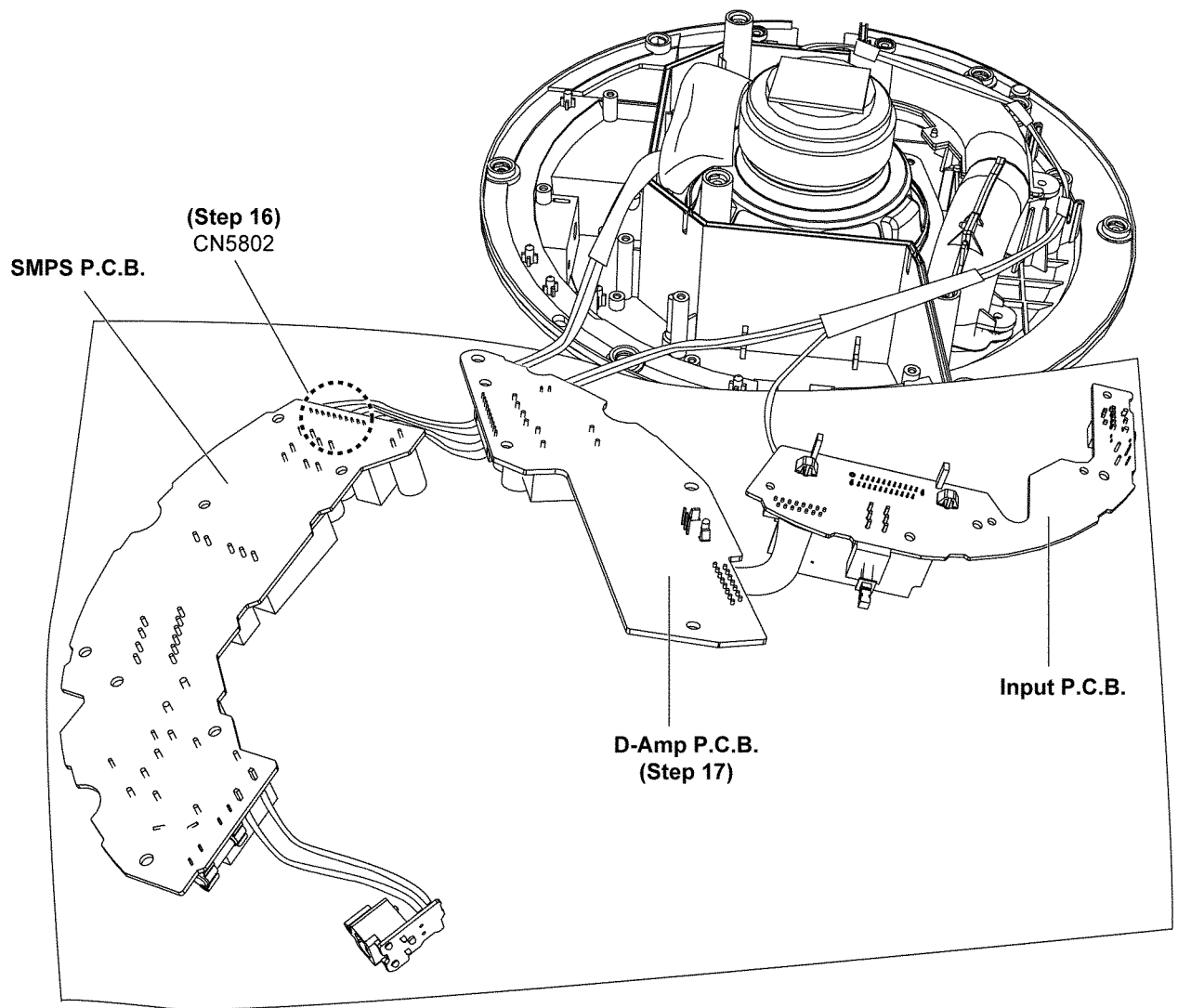
- Step 12** : Remove the Light Panel.
- Step 13** : Remove the Power Button.



Step 14 : Hold on to the P.C.B. Holder and lift up the Input P.C.B. as arrow shown.



Step 15 : Place the D-Amp P.C.B. and Input P.C.B. on an insulation sheet.



Step 16 : Connect the 10P cable at the connector (CN5802) on the SMPS P.C.B.

Step 17 : Check and repair the SMPS P.C.B., D-Amp P.C.B. and Input P.C.B. according to the diagram shown.

12 Voltage Measurement & Waveform Chart

Note:

- Indicated voltage values are the standard values for the unit measured by the DC electronic circuit tester (high-impedance) with the chassis taken as standard.
- Therefore, there may exist some errors in the voltage values, depending on the internal impedance of the DC circuit tester.
- Circuit voltage and waveform described herein shall be regarded as reference information when probing defect point because it may differ from actual measuring value due to difference of Measuring instrument and its measuring condition and product itself.

12.1. Main Unit (SU-ZT1)

12.1.1. MAIN P.C.B. (1/4)

REF NO. MODE	IC4001																																								
CD PLAY	1	2	3	4	5	6	7	8	9	10	11	12	13	14	15	16	17	18	19	20	0	0	0	0	0	0	0	0	0	0	0	0	-6.9	0	0	0	0.1	0	0	0	0
STANDBY	0	0	0	0	0	0	0	0	0	0	0	0	0	0	0	0	0	0	0	0	0	0	0	0	0	0	0	0	0	0	0	0	-6.9	0	0	0	0.1	0	0	0	0

REF NO. MODE	IC4001																																						
CD PLAY	21	22	23	24	25	26	27	28	29	30	31	32	33	34	35	36	37	38	39	40	0	0	0	0	0	3.3	6.9	0	0	0	0	0	0	0	0.1	0	0	0	0
STANDBY	0	0	0	0	0	3.3	6.9	0	0.1	0	0	0	0	0	0	0	0.1	0	0	0	0	0	0	0	0	3.3	6.9	0	0.1	0	0	0	0.1	0	0	0	0	0	

REF NO. MODE	IC4001																														
CD PLAY	41	42	43	44	45	46	47	48	49	50	51	52	53	54	55	56	0	0	0	0	0	0	0	0	0	0	0.2	0	0	0	0
STANDBY	0	0	0	0	0	0	0	0	0	0	0	0	0.2	0	0	0	0	0	0	0	0	0	0	0	0.2	0	0	0	0		

REF NO. MODE	IC4101															
CD PLAY	1	2	3	4	5	6	7	8	2.3	2.3	2.3	0	2.3	2.3	2.3	6.9
STANDBY	2.3	2.3	2.3	0	2.3	2.3	2.3	6.9	2.3	2.3	2.3	0	2.3	2.3	2.3	6.9

REF NO. MODE	IC4102															
CD PLAY	1	2	3	4	5	6	7	8	2.3	2.3	2.3	0	2.3	2.3	2.3	5.0
STANDBY	2.3	2.3	2.3	0	2.3	2.3	2.3	5.0	2.3	2.3	2.3	0	2.3	2.3	2.3	5.0

REF NO. MODE	IC4201															
CD PLAY	1	2	3	4	5	6	7	8	0.1	2.1	2.1	-6.9	2.1	2.1	0	6.9
STANDBY	0.1	2.1	2.1	-6.9	2.1	2.1	0	6.9	0.1	2.1	2.1	-6.9	2.1	2.1	0	6.9

REF NO. MODE	IC4202															
CD PLAY	1	2	3	4	5	6	7	8	0	2.1	2.1	-6.9	2.1	2.1	0	6.9
STANDBY	0	2.1	2.1	-6.9	2.1	2.1	0	6.9	0	2.1	2.1	-6.9	2.1	2.1	0	6.9

REF NO. MODE	IC4203															
CD PLAY	1	2	3	4	5	6	7	8	0	2.1	2.1	-6.9	1.7	1.7	0	6.9
STANDBY	0	2.1	2.1	-6.9	1.6	1.7	0	6.9	0	2.1	2.1	-6.9	1.6	1.7	0	6.9

REF NO. MODE	IC4301															
CD PLAY	1	2	3	4	5	6	7	8	0	0	0	-6.9	0	0	0	6.9
STANDBY	0	0	0	-6.9	0	0	0	6.9	0	0	0	-6.9	0	0	0	6.9

REF NO. MODE	IC4302															
CD PLAY	1	2	3	4	5	6	7	8	0	0	0	-6.9	0	0	0	6.9
STANDBY	0	0	0	-6.9	0	0	0	6.9	0	0	0	-6.9	0	0	0	6.9

SC-ZT1GN/GS(SU-ZT1GN/GS) MAIN P.C.B.

12.1.2. MAIN P.C.B. (2/4)

REF NO.	IC4303															
MODE	1	2	3	4	5	6	7	8								
CD PLAY	0	0	0	-6.9	0	0	0	6.9								
STANDBY	0	0	0	-6.9	0	0	0	6.9								
REF NO.	IC4304															
MODE	1	2	3	4	5	6	7	8								
CD PLAY	0.1	0	0	-6.9	0	0	0.1	6.9								
STANDBY	0.1	0	0	-6.9	0	0	0.1	6.9								
REF NO.	IC5501															
MODE	1	2	3	4	5	6	7	8								
CD PLAY	-13.6	-14.5	-14.3	-12.6	10.6	0	-14.7	-14.8								
STANDBY	-13.6	-15.4	-15.3	-12.6	10.6	0	-14.7	-14.8								
REF NO.	IC5502															
MODE	1	2	3													
CD PLAY	4.4	2.5	0													
STANDBY	4.4	2.5	0													
REF NO.	IC5503															
MODE	1	2	3	4	5											
CD PLAY	9.8	12.6	0	10.5	1.0											
STANDBY	9.8	12.7	0	10.5	1.0											
REF NO.	IC5504															
MODE	1	2	3	4	5											
CD PLAY	5.7	3.4	0	1.2	2.1											
STANDBY	5.7	3.4	0	1.2	2.1											
REF NO.	IC5561															
MODE	1	2	3	4	5											
CD PLAY	5.7	2.5	0	1.2	2.0											
STANDBY	5.7	2.5	0	1.2	2.0											
REF NO.	IC5562															
MODE	1	2	3	4	5											
CD PLAY	5.7	3.9	0	1.2	2.1											
STANDBY	5.7	3.9	0	1.2	2.1											
REF NO.	IC5563															
MODE	1	2	3	4	5											
CD PLAY	5.7	0	3.3	0	5.3											
STANDBY	5.7	0	3.3	0	5.3											
REF NO.	IC5571															
MODE	1	2	3													
CD PLAY	3.3	0	5.7													
STANDBY	3.3	0	5.7													

SC-ZT1GN/GS(SU-ZT1GN/GS) MAIN P.C.B.

12.1.3. MAIN P.C.B. (3/4)

REF NO.	IC5572																			
MODE	1	2	3	4	5															
CD PLAY	4.7	5.7	0	5.0	1.0															
STANDBY	4.7	5.7	0	5.0	1.0															
REF NO.	IC8001																			
MODE	1	2	3	4	5	6	7	8	9	10	11	12	13	14	15	16	17	18	19	20
CD PLAY	3.0	0.1	3.4	0	0	0	0	0	0	0	0	3.3	1.7	0	0	3.3	3.3	0	3.3	3.3
STANDBY	3.0	0.1	3.4	0	0	0	0	0	0	0	0	3.3	1.7	0	0	3.3	3.3	0	3.3	3.3
REF NO.	IC8001																			
MODE	21	22	23	24	25	26	27	28	29	30	31	32	33	34	35	36	37	38	39	40
CD PLAY	0	0	3.3	0	0	0	0	0	3.3	3.3	0	0	0	0	0.2	0.6	0.8	0	0	0
STANDBY	0	0	3.3	0	0	0	0	0	3.3	3.3	0	0	0	0	0.2	0.6	0.8	0	0	0
REF NO.	IC8001																			
MODE	41	42	43	44	45	46	47	48	49	50	51	52	53	54	55	56	57	58	59	60
CD PLAY	0	0	3.3	2.2	0	0	0	3.3	2.2	3.3	0	0	0	0	3.1	0.2	0	0	2.7	3.1
STANDBY	0	0	3.3	2.2	0	0	0	3.3	2.2	3.3	0	0	0	0	3.1	0.2	0	0	2.7	3.1
REF NO.	IC8001																			
MODE	61	62	63	64	65	66	67	68	69	70	71	72	73	74	75	76	77	78	79	80
CD PLAY	2.7	3.3	0	0	0	0	0	0	0.5	3.3	3.3	3.3	3.3	0.5	3.3	2.3	3.3	3.3	0	0
STANDBY	2.7	3.3	0	0	0	0	0	0	0.5	3.3	3.3	3.3	3.3	0.5	3.3	2.3	3.3	3.3	0.1	0
REF NO.	IC8001																			
MODE	81	82	83	84	85	86	87	88	89	90	91	92	93	94	95	96	97	98	99	100
CD PLAY	3.3	3.3	3.3	3.3	0	0	0	0	0	0	3.3	3.3	0	3.3	3.3	0	1.4	3.3	3.3	0
STANDBY	3.3	3.3	3.3	3.3	0	0	0	0	0	0	3.3	3.3	0	3.3	3.3	0	1.4	3.3	3.3	0
REF NO.	IC8002																			
MODE	1	2	3	4	5	6	7	8												
CD PLAY	3.3	3.3	0	0	3.3	3.3	0	3.3												
STANDBY	3.3	3.3	0	0	3.3	3.3	0	3.3												
REF NO.	IC8003																			
MODE	1	2	3	4	5															
CD PLAY	3.3	3.3	0	0	1.8															
STANDBY	3.3	3.3	0	0	1.8															
REF NO.	IC8004																			
MODE	1	2	3	4																
CD PLAY	3.3	5.7	0.6	0																
STANDBY	3.3	5.7	0.6	0																
REF NO.	Q4301						Q4302						Q4303							
MODE	1	2	3	4	5	6		1	2	3	4	5	6		1	2	3	4	5	6
CD PLAY	0	-6.6	0	0	-6.6	0		0	-6.6	0	0	-6.5	0		0	-6.5	0	0	-6.4	0
STANDBY	0	-6.6	0	0	-6.6	0		0	-6.6	0	0	-6.6	0		0	-6.5	0	0	-6.5	0

SC-ZT1GN/GS(SU-ZT1GN/GS) MAIN P.C.B.

12.1.4. MAIN P.C.B. (4/4)

REF NO.	Q4304						Q4305						Q5504									
MODE	1	2	3	4	5	6	1	2	3	4	5	6	E	C	B							
CD PLAY	0	0.7	0	0	0.7	0	0	0.7	0	0	0.7	0	-9.6	-9.4	-8.8							
STANDBY	0	0.7	0	0	0.7	0	0	0.7	0	0	0.7	0	-9.6	-9.5	-8.9							
REF NO.	Q5505			Q5506			Q5507			Q5508			Q5509									
MODE	E	C	B	E	C	B	E	C	B	E	C	B	E	C	B							
CD PLAY	5.7	5.7	5.0	0	0	0.7	6.9	10.5	7.6	-6.9	-9.3	-7.5	0	-7.6	-0.6							
STANDBY	5.7	5.7	5.0	0	0	0.7	6.9	10.5	7.6	-6.9	-9.5	-7.6	0	-7.6	-0.6							
REF NO.	Q5510			Q5551			Q5561			QR4301			QR4305									
MODE	E	C	B	E	C	B	E	C	B	E	C	B	E	C	B							
CD PLAY	-6.9	-9.3	-7.5	0	9.9	0.1	0	2.1	0	0	0	3.3	3.3	0	3.3							
STANDBY	-6.9	-9.5	-7.6	0	9.9	0.1	0	2.1	0	0	0	3.3	3.3	0	3.3							
REF NO.	QR4306			QR4307			QR4308			QR4309			QR4310									
MODE	E	C	B	E	C	B	E	C	B	E	C	B	E	C	B							
CD PLAY	0	0	0	0	3.3	0	0	3.3	0	3.3	-6.6	3.3	3.3	-6.6	3.3							
STANDBY	0	0	0	0	3.3	0	0	3.3	0	3.3	-6.6	3.3	3.3	-6.6	3.3							
REF NO.	QR4311			QR4312			QR5501			QR5502			QR5503									
MODE	E	C	B	E	C	B	E	C	B	E	C	B	E	C	B							
CD PLAY	0	0	3.3	3.3	3.3	0	0	9.9	0	0	0	3.3	0	2.1	0							
STANDBY	0	0	3.3	3.3	3.3	0	0	9.9	0	0	0	3.3	0	2.1	0							
REF NO.	QR5562			QR5563			QR5571			QR5581			QR5582									
MODE	E	C	B	E	C	B	E	C	B	E	C	B	E	C	B							
CD PLAY	0	2.1	0	0	0	3.3	0	4.7	0	0	3.3	0	0	3.3	-3.1							
STANDBY	0	2.1	0	0	0	3.3	0	4.7	0	0	3.3	0	0	3.3	-3.1							
REF NO.	QR5591			QR5592																		
MODE	E	C	B	E	C	B																
CD PLAY	0	0	2.8	0	0	3.3																
STANDBY	0	0	2.8	0	0	3.3																

SC-ZT1GN/GS(SU-ZT1GN/GS) MAIN P.C.B.

12.1.5. PANEL P.C.B.

REF NO.	IC4601																				
MODE	1	2	3	4	5	6	7	8	9	10	11	12	13	14	15	16	17	18	19	20	
CD PLAY	0	0	0	0	1.9	0.8	2.7	3.1	2.7	0.9	0.9	0	3.3	-17.4	-23.2	-15.4	-21.2	-15.6	-15.6	-25.6	
STANDBY	0	0	0	0	1.9	0.7	2.7	3.1	2.7	0.9	0.9	0	3.3	-17.4	-25.5	-17.5	-21.4	-15.8	-15.8	-25.6	
REF NO.	IC4601																				
MODE	21	22	23	24	25	26	27	28	29	30	31	32	33	34	35	36	37	38	39	40	
CD PLAY	-23.6	-25.6	-17.4	-21.3	-23.5	-17.4	-17.4	-23.4	-23.6	-26.1	-23.6	-23.8	-23.6	-23.6	-23.6	-23.9	-23.6	-23.9	-23.9	-23.8	
STANDBY	-23.6	-25.6	-17.4	-21.5	-23.5	-17.5	-17.5	-25.6	-23.8	-26.2	-13.7	-23.9	-23.8	-23.8	-23.8	-23.9	-23.6	-23.9	-23.9	-23.9	
REF NO.	IC4601																				
MODE	41	42	43	44																	
CD PLAY	-23.7	-24.0	3.3	0																	
STANDBY	-23.9	-24.2	3.3	0																	
REF NO.	QR4602			QR4603																	
MODE	E	C	B	E	C	B															
CD PLAY	-26.2	1.2	-24.2	3.3	-23.8	1.2															
STANDBY	-26.2	1.2	-24.2	3.3	-23.8	1.2															

SC-ZT1GN/GS(SU-ZT1GN/GS) PANEL P.C.B.

12.1.6. DSP P.C.B. (1/2)

REF NO.	IC1000																			
MODE	1	2	3	4	5	6	7	8	9	10	11	12	13	14	15	16	17	18	19	20
CD PLAY	0	3.3	3.3	3.3	3.3	3.3	3.3	3.3	0	3.3	3.3	1.8	3.3	3.3	0	1.6	0.8	0.9	0	1.7
STANDBY	0	3.3	3.3	3.3	3.3	3.3	3.3	3.3	0	3.3	3.3	1.8	3.3	3.3	0	1.6	0.8	0.9	0	1.7
REF NO.	IC1000																			
MODE	21	22	23	24	25	26	27	28	29	30	31	32	33	34	35	36	37	38	39	40
CD PLAY	3.3	1.8	0.2	0	0	0	0.8	3.3	1.7	1.7	0	1.7	1.7	0.8	0.1	3.3	3.3	3.3	0.2	1.7
STANDBY	3.3	1.8	0	0	0	0	0	3.3	1.7	1.7	0	1.7	1.7	0	0	3.3	3.3	3.3	0	1.7
REF NO.	IC1000																			
MODE	41	42	43	44	45	46	47	48	49	50	51	52	53	54	55	56	57	58	59	60
CD PLAY	0	1.8	0.2	1.7	0	1.7	0.2	1.0	0.1	3.3	1.7	1.7	0	1.7	1.8	0	3.3	3.3	3.3	3.3
STANDBY	0	1.8	0	1.7	0	1.7	0	0	0	3.3	0.1	1.7	0	1.7	1.8	0	3.3	3.3	3.3	3.3
REF NO.	IC1000																			
MODE	61	62	63	64	65	66	67	68	69	70	71	72	73	74	75	76	77	78	79	80
CD PLAY	3.3	3.3	3.3	3.3	2.8	3.3	0	3.3	3.3	3.3	3.3	3.3	3.3	3.3	3.3	0	3.3	3.3	3.3	3.3
STANDBY	3.3	3.3	3.3	3.3	2.7	3.3	0	3.3	3.3	3.3	3.3	3.3	3.3	3.3	3.3	0	3.3	3.3	3.3	3.3
REF NO.	IC1000																			
MODE	81	82	83	84	85	86	87	88	89	90	91	92	93	94	95	96	97	98	99	100
CD PLAY	3.3	3.3	1.8	0	0	0	0	0	3.3	0	0	0	0	3.3	1.8	0	0	0	0	3.3
STANDBY	3.3	3.3	1.8	0	0	0	0	0	3.3	0	0	0	0	3.3	1.8	0	0	0	0	3.3
REF NO.	IC1000																			
MODE	101	102	103	104	105	106	107	108	109	110	111	112	113	114	115	116	117	118	119	120
CD PLAY	0	0	0	0	0	0	3.3	3.3	3.3	3.3	0	1.8	0	0	0	0	0	3.3	3.3	3.3
STANDBY	0	0	0	0	0	0	3.3	3.3	3.3	3.3	0	1.8	0	0	0	0	0	3.3	3.3	3.3
REF NO.	IC1000																			
MODE	121	122	123	124	125	126	127	128												
CD PLAY	3.3	0	0.5	3.3	1.8	0.5	0	3.3												
STANDBY	3.3	0	0.5	3.3	1.8	0.5	0	3.3												
REF NO.	IC1001																			
MODE	1	2	3	4	5	6	7	8	9	10	11	12	13	14	15	16	17	18	19	20
CD PLAY	1.7	1.7	1.7	3.3	0	3.3	0.5	0	0.5	2.2	3.3	3.3	2.7	2.7	2.6	2.6	2.8	4.8	0	0
STANDBY	0.1	1.7	1.7	3.3	0	3.3	0.5	0	0.5	2.2	3.3	3.3	2.7	2.7	2.6	2.6	2.8	4.8	0	0
REF NO.	IC1001																			
MODE	21	22	23	24	25	26	27	28	29	30	31	32	33	34	35	36	37	38	39	40
CD PLAY	0	0	0	5.0	0	2.8	2.8	2.8	2.7	2.7	2.7	2.7	2.7	2.7	2.7	2.7	2.7	5.0	1.8	0
STANDBY	0	0	0	5.0	0	2.8	2.8	2.7	2.7	2.7	2.7	2.7	2.7	2.7	2.7	2.7	2.7	5.0	1.8	0
REF NO.	IC1001																			
MODE	41	42	43	44	45	46	47	48	49	50	51	52	53	54	55	56	57	58	59	60
CD PLAY	5.0	0.1	0.1	2.5	0.1	0.1	0.1	0	2.5	3.3	3.3	0	3.3	0.8	1.6	0.6	0	0	1.6	1.7
STANDBY	5.0	0.1	0.2	2.5	0.2	0.2	0.2	0	2.5	3.3	3.3	0	3.3	0	1.6	0.6	0	0	1.6	1.7

SC-ZT1GN/GS(SU-ZT1GN/GS) DSP P.C.B.

12.1.7. DSP P.C.B. (2/2)

REF NO.	IC1001																			
MODE	61	62	63	64																
CD PLAY	1.6	0.1	0.9	0.1																
STANDBY	1.7	0	0.1	0																
REF NO.	IC1002																			
MODE	1	2	3	4	5															
CD PLAY	3.3	3.3	1.8	0	0															
STANDBY	3.3	3.3	1.8	0	0															
REF NO.	IC1003																			
MODE	1	2	3	4	5															
CD PLAY	5.0	0	5.0	0	3.3															
STANDBY	5.0	0	5.0	0	3.3															
REF NO.	IC1004																			
MODE	1	2	3	4	5	6														
CD PLAY	1.7	0	1.6	1.6	3.3	0														
STANDBY	1.7	0	1.6	1.6	3.3	0														
REF NO.	IC1005																			
MODE	1	2	3	4	5	6	7	8	9	10	11	12	13	14	15	16	17	18	19	20
CD PLAY	3.3	3.3	2.6	0	3.3	3.3	3.3	3.3	3.3	0	3.3	3.3	3.3	3.3	3.3	3.3	3.3	3.3	0	0
STANDBY	3.3	3.3	2.6	0	3.3	3.3	3.3	3.3	3.3	0	3.3	3.3	3.3	3.3	3.3	3.3	3.3	3.3	0	0
REF NO.	IC1005																			
MODE	21	22	23	24	25	26	27	28	29	30	31	32	33	34	35	36	37	38	39	40
CD PLAY	0	0	0	0	3.3	0	0	0	0	0	0	0	0	3.3	3.3	3.3	0	3.3	3.3	3.3
STANDBY	0	0	0	0	3.3	0	0	0	0	0	0	0	0	3.3	3.3	3.3	0	3.3	3.3	3.3
REF NO.	IC1005																			
MODE	41	42	43	44	45	46	47	48	49	50										
CD PLAY	0	3.3	3.3	3.3	3.3	3.3	0	3.3	3.3	0										
STANDBY	0	3.3	3.3	3.3	3.3	3.3	0	3.3	3.3	0										

SC-ZT1GN/GS(SU-ZT1GN/GS) DSP P.C.B.

12.1.8. HDMI P.C.B. (1/4)

REF NO.	IC2001																			
MODE	1	2	3	4	5															
CD PLAY	3.3	3.3	0	0	1.8															
STANDBY	3.3	3.3	0	0	1.8															

REF NO.	IC2002																			
MODE	1	2	3	4	5	6	7	8	9	10	11	12	13	14	15	16	17	18	19	20
CD PLAY	0	0	0	2.0	0	0	0	0	0	0	0	3.3	1.7	0	1.5	3.3	3.3	0	3.3	3.3
STANDBY	0	0	0	2.0	0	0	0	0	0	0	0	3.3	1.7	0	1.5	3.3	3.3	0	3.3	3.3

REF NO.	IC2002																			
MODE	21	22	23	24	25	26	27	28	29	30	31	32	33	34	35	36	37	38	39	40
CD PLAY	3.3	3.3	0	3.3	0	3.3	3.3	2.9	3.1	0.6	0.1	0.1	0	0	3.3	3.3	0	3.3	3.3	0
STANDBY	3.3	3.3	0	3.3	0	3.3	3.3	2.9	3.1	0.6	0.1	0.1	0	0	3.3	3.3	0	3.3	3.3	0

REF NO.	IC2002																			
MODE	41	42	43	44	45	46	47	48	49	50	51	52	53	54	55	56	57	58	59	60
CD PLAY	0	3.3	0	3.3	0	0	0	0	0	3.3	0	0	3.3	0	0	0	0	0	0	0
STANDBY	0	3.3	0	3.3	0	0	0	0	0	3.3	0	0	3.3	0	0	0	0	0	0	0

REF NO.	IC2002																			
MODE	61	62	63	64	65	66	67	68	69	70	71	72	73	74	75	76	77	78	79	80
CD PLAY	0	3.3	0	0	0	0	0	3.2	3.3	3.3	0	0	0	0	0	3.3	3.3	3.3	0	0
STANDBY	0	3.3	0	0	0	0	0	3.2	3.3	3.3	0	0	0	0	0	3.3	3.3	3.3	0	0

REF NO.	IC2002																			
MODE	81	82	83	84	85	86	87	88	89	90	91	92	93	94	95	96	97	98	99	100
CD PLAY	0	0	0	0	0	0	0	0	0	0	0	0	0	1.8	2	0	0	3.3	3.3	0
STANDBY	0	0	0	0	0	0	0	0	0	0	0	0	0	1.8	2	0	0	3.3	3.3	0

REF NO.	IC2003																			
MODE	1	2	3	4	5	6	7	8												
CD PLAY	0	0	3.3	0	3.3	3.3	0	3.3												
STANDBY	0	0	3.3	0	3.3	3.3	0	3.3												

REF NO.	IC2004																			
MODE	1	2	3	4	5															
CD PLAY	3.9	3.3	3.3	0	0															
STANDBY	3.9	3.3	3.3	0	0															

REF NO.	IC2005																			
MODE	1	2	3	4	5															
CD PLAY	3.9	0	3.9	0	3.3															
STANDBY	3.9	0	3.9	0	3.3															

REF NO.	IC2006																			
MODE	1	2	3	4	5	6	7	8	9	10	11	12	13	14	15	16	17	18	19	20
CD PLAY	1.2	1.0	0	1.0	1.0	1.8	1.0	1.0	0	1.0	0.2	1.8	3.3	3.3	3.3	0	1.8	1.1	1.1	0
STANDBY	1.2	1.0	0	1.0	1.0	1.8	1.0	1.0	0	1.0	0.2	1.8	3.3	3.3	3.3	0	1.8	1.1	1.1	0

SC-ZT1GN/GS(SU-ZT1GN/GS) HDMI P.C.B.

12.1.9. HDMI P.C.B. (2/4)

REF NO.	IC2101																			
MODE	1	2	3	4	5	6	7	8	9	10	11	12	13	14	15	16	17	18	19	20
CD PLAY	1.1	0	0	0	0	0	0	0	0	0	0	1.8	0	3.3	0	0	0	0	0	0
STANDBY	1.2	0	0	0	0	0	0	0	0	0	0	1.8	0	3.3	0	0	0	0	0	0
REF NO.	IC2101																			
MODE	21	22	23	24	25	26	27	28	29	30	31	32	33	34	35	36	37	38	39	40
CD PLAY	0	0	0	3.3	3.3	0	1.8	1.8	0	0.1	0.1	1.8	1.1	1.1	0	1.1	1.1	1.8	1.1	1.1
STANDBY	0	0	0	3.3	3.3	0	1.8	1.8	0	0.1	0.1	1.8	1.1	1.1	0	1.1	1.1	1.8	1.1	1.1
REF NO.	IC2101																			
MODE	41	42	43	44	45	46	47	48	49	50	51	52	53	54	55	56	57	58	59	60
CD PLAY	0	1.8	0	3.3	5	5	5	3.3	3.3	0.3	0	0	3.3	0	1.8	2.5	2.5	2.5	2.5	2.5
STANDBY	0	1.8	0	3.3	5	5	5	3.3	3.3	0.3	0	0	3.3	0	1.8	2.5	2.5	2.5	2.5	2.5
REF NO.	IC2101																			
MODE	61	62	63	64	65	66	67	68	69	70	71	72	73	74	75	76	77	78	79	80
CD PLAY	2.6	2.6	2.6	1.8	0	3.3	2.6	2.6	2.6	2.6	2.6	2.6	2.6	2.6	2.6	1.8	2.4	1.2	1.3	1.3
STANDBY	2.6	2.6	2.6	1.8	0	3.3	2.6	2.6	2.6	2.6	2.6	2.6	2.6	2.6	2.6	1.8	2.4	1.2	1.3	1.3
REF NO.	IC2101																			
MODE	81	82	83	84	85	86	87	88	89	90	91	92	93	94	95	96	97	98	99	100
CD PLAY	1.2	1.3	1.3	1.3	1.3	1.2	0	0	3.3	1.3	1.3	1.3	1.3	1.3	1.3	1.3	1.3	1.3	1.8	0
STANDBY	1.2	1.3	1.3	1.3	1.3	1.2	0	0	3.3	1.3	1.3	1.3	1.3	1.3	1.3	1.3	1.3	1.3	1.8	0
REF NO.	IC2102																			
MODE	1	2	3	4	5															
CD PLAY	2.5	3.3	1.8	0	0															
STANDBY	2.5	3.3	1.8	0	0															
REF NO.	IC2201																			
MODE	1	2	3	4	5	6	7	8	9	10	11	12	13	14	15	16	17	18	19	20
CD PLAY	0	0	0	0	0	0	0	0	0	0	0	0	0	0	0	0	0	0	0	3.3
STANDBY	0	0	0	0	0	0	0	0	0	0	0	0	0	0	0	0	0	0	0	3.3
REF NO.	IC2201																			
MODE	21	22	23	24	25	26	27	28	29	30	31	32	33	34	35	36	37	38	39	40
CD PLAY	1.2	1.1	3.3	1.0	1.0	0	1.0	1.1	1.8	0	0	0	1.8	0	3.3	0	1.8	1.1	1.1	0
STANDBY	1.2	1.1	3.3	1.0	1.0	0	1.0	1.1	1.8	0	0	0	1.8	0	3.3	0	1.8	1.1	1.1	0
REF NO.	IC2201																			
MODE	41	42	43	44	45	46	47	48	49	50	51	52	53	54	55	56	57	58	59	60
CD PLAY	1.1	1.1	3.3	1.1	1.1	0	1.1	1.1	1.8	0	0	0	0	0	3.3	0	1.8	3.3	3.3	0
STANDBY	1.1	1.1	3.3	1.1	1.1	0	1.1	1.1	1.8	0	0	0	0	0	3.3	0	1.8	3.3	3.3	0
REF NO.	IC2201																			
MODE	61	62	63	64	65	66	67	68	69	70	71	72	73	74	75	76	77	78	79	80
CD PLAY	3.3	3.3	3.3	3.3	3.3	0	3.3	3.3	1.8	0	0	0	1.8	0	0	3.3	0	0	0	0
STANDBY	3.3	3.3	3.3	3.3	3.3	0	3.3	3.3	1.8	0	0	0	1.8	0	0	3.3	0	0	0	0

SC-ZT1GN/GS(SU-ZT1GN/GS) HDMI P.C.B.

12.1.10. HDMI P.C.B. (3/4)

REF NO.	IC2232																			
MODE	1	2	3	4	5	6	7	8	9	10	11	12	13	14	15	16	17	18	19	20
CD PLAY	1.3	1.2	1.3	0	0	3.3	8	1.3	1.3	1.3	0	1.8	1.3	1.3	1.3	1.3	0	3.3	1.0	0
STANDBY	1.3	1.2	1.3	0	0	3.3	9	1.3	1.3	1.3	0	1.8	1.3	1.3	1.3	1.3	0	3.3	1.0	0

REF NO.	IC2232																			
MODE	21	22	23	24	25	26	27	28	29	30	31	32	33	34	35	36	37	38	39	40
CD PLAY	0	0	0	1.8	1.8	3.3	3.3	0	0	0	0	3.3	0	0	0	0	1.8	3.3	0.1	3.3
STANDBY	0	0	0	1.8	1.8	3.3	3.3	0	0	0	0	3.3	0	0	0	0	1.8	3.3	0.1	3.3

REF NO.	IC2232																			
MODE	41	42	43	44	45	46	47	48	49	50	51	52	53	54	55	56	57	58	59	60
CD PLAY	0	3.3	1.0	1.0	0	3.3	1.0	1.0	0	3.3	1.0	1.0	0	1.8	1.0	3.3	1.0	1.0	0	3.3
STANDBY	0	3.3	1.0	1.0	0	3.3	1.0	1.0	0	3.3	1.0	1.0	0	1.8	1.0	3.3	1.0	1.0	0	3.3

REF NO.	IC2232																			
MODE	61	62	63	64	65	66	67	68	69	70	71	72	73	74	75	76	77	78	79	80
CD PLAY	1.0	1.0	0	3.3	1.0	1.0	0	3.3	1.0	1.0	0	1.8	0	3.3	3.3	0	0	0	0	1.8
STANDBY	1.0	1.0	0	3.3	1.0	1.0	0	3.3	1.0	1.0	0	1.8	0	3.3	3.3	0	0	0	0	1.8

REF NO.	IC2232																			
MODE	81	82	83	84	85	86	87	88	89	90	91	92	93	94	95	96	97	98	99	100
CD PLAY	0	0	0	0	0	0	0	3.3	0	0	1.8	1.8	0	1.6	1.6	3.3	3.3	0	0	3.3
STANDBY	0	0	0	0	0	0	0	3.3	0	0	1.8	1.8	0	1.6	1.6	3.3	3.3	0	0	3.3

REF NO.	IC2232																			
MODE	101	102	103	104	105	106	107	108	109	110	111	112	113	114	115	116	117	118	119	120
CD PLAY	0	3.3	0	3.3	0	0	1.8	2.8	2.8	2.8	2.8	0	3.3	2.8	2.8	2.8	2.8	0	1.8	2.8
STANDBY	0	3.3	0	3.3	0	0	1.8	2.7	2.7	2.7	2.7	0	3.3	2.7	2.7	2.6	2.7	0	1.8	2.7

REF NO.	IC2232																			
MODE	121	122	123	124	125	126	127	128	129	130	131	132	133	134	135	136	137	138	139	140
CD PLAY	2.8	2.8	2.8	0	3.3	2.8	2.8	2.8	2.8	0	1.8	2.8	2.8	1.2	1.3	0	3.3	1.3	1.2	1.3
STANDBY	2.7	2.7	2.7	0	3.3	2.7	2.7	2.7	2.7	0	1.8	2.8	2.7	2.7	1.3	0	3.3	1.3	1.2	1.3

REF NO.	IC2232																			
MODE	141	142	143	144	145															
CD PLAY	1.3	0	1.8	1.3	0															
STANDBY	1.3	0	1.8	1.3	0															

REF NO.	IC2233																			
MODE	1	2	3	4	5															
CD PLAY	2.5	3.3	1.8	0	0															
STANDBY	2.5	3.3	1.8	0	0															

REF NO.	Q2101			Q2102			Q2103			Q2104			Q2105		
MODE	E	C	B	E	C	B	E	C	B	E	C	B	E	C	B
CD PLAY	3.6	3.6	3.6	0	3.6	0	0	3.8	0	0	0	0.6	0	3.3	0
STANDBY	3.6	3.7	3.6	0	3.7	0	0	4	0	0	0	0.6	0	3.3	0

SC-ZT1GN/GS(SU-ZT1GN/GS) HDMI P.C.B.

12.1.11. HDMI P.C.B. (4/4)

REF NO.	QR2001			QR2002																
MODE	E	C	B	E	C	B														
CD PLAY	0	0	2.8	0	3.2	0														
STANDBY	0	0	2.8	0	3.2	0														

SC-ZT1GN/GS(SU-ZT1GN/GS) HDMI P.C.B.

12.2. Speaker Unit (SB-ZT1)

12.2.1. SMPS P.C.B.

REF NO.	IC5701															
MODE	1	2	3	4	5	6	7									
CD PLAY	166.0	0	0	19.0	0.1	1.5	0.4									
STANDBY	167.0	0	0	19.0	0.1	1.5	0.4									

REF NO.	IC5799															
MODE	1	2	3	4	5	6	7	8								
CD PLAY	5.9	0.8	2.3	12.3	164.1	0	0	0								
STANDBY	5.9	0.9	2.4	12.4	165.0	0	0	0								

REF NO.	IC5801															
MODE	1	2	3													
CD PLAY	-2.0	-17.9	-20.4													
STANDBY	-2.0	-17.9	-20.4													

REF NO.	IC5899															
MODE	1	2	3													
CD PLAY	3.6	2.5	0													
STANDBY	3.6	2.5	0													

REF NO.	Q5720			Q5721			Q5722			Q5862			Q5890		
MODE	E	C	B	E	C	B	E	C	B	E	C	B	E	C	B
CD PLAY	6.2	6.6	6.2	19.1	19.0	18.4	0	18.6	0.2	0	4.5	0	0	0	4.6
STANDBY	6.2	6.6	6.2	19.1	19.0	18.3	0	18.6	0.2	0	4.5	0	0	0	4.6

SC-ZT1GN/GS(SB-ZT1GN/GS) SMPS P.C.B.

12.2.2. INPUT P.C.B.

REF NO.	IC6021															
MODE	1	2	3	4	5	6	7	8	9	10	11	12	13	14	15	16
CD PLAY	3.3	0.1	3.2	0	4.6	4.6	0	4.6	0	0	4.6	4.6	4.5	4.6	4.6	4.5
STANDBY	3.3	0.1	3.2	0	4.6	4.6	0	4.6	0	0	4.6	4.6	4.5	4.6	4.6	4.5

REF NO.	IC6901															
MODE	1	2	3	4	5	6	7	8								
CD PLAY	0	0	0	-4.8	0	0	0	5.0								
STANDBY	0	0	0	-4.8	0	0	0	5.0								

REF NO.	IC6902															
MODE	1	2	3	4	5	6	7	8								
CD PLAY	0	0	0	-4.8	0	0	0	5.0								
STANDBY	0	0	0	-4.8	0	0	0	5.0								

REF NO.	Q6008			QR6501			QR6502			QR6503		
MODE	E	C	B	E	C	B	E	C	B	E	C	B
CD PLAY	4.6	4.6	3.9	4.6	1.6	4.6	4.6	4.4	1.6	4.6	-4.8	4.6
STANDBY	4.6	4.6	3.9	4.6	1.6	4.6	4.6	4.4	1.6	4.6	-4.8	4.6

SC-ZT1GN/GS(SB-ZT1GN/GS) INPUT P.C.B.

12.2.3. D-AMP P.C.B.

REF NO.	IC6003																
MODE	1	2	3	4	5												
CD PLAY	-15.3	-20.4	-18.7	-15.2	-15.3												
STANDBY	-15.2	-20.2	-18.5	-15.2	-15.2												

REF NO.	IC6008																
MODE	1	2	3														
CD PLAY	5.0	0	7.5														
STANDBY	5.0	0	7.5														

REF NO.	IC6062																
MODE	1	2	3	4	5												
CD PLAY	0	0	-20.4	-9.5	-19.4												
STANDBY	0	0	-20.4	-9.5	-19.4												

REF NO.	Q6001						Q6012			Q6013			Q6014		
MODE	1	2	3	4	5	6	E	C	B	E	C	B	E	C	B
CD PLAY	0	0.6	0	0	0.6	0	0	4.5	0	0	4.5	0	-4.8	-7.4	-5.4
STANDBY	0	0.6	0	0	0.6	0	0	4.5	0	0	4.5	0	-4.8	-7.4	-5.4

REF NO.	Q6015			Q6101						Q6102					
MODE	E	C	B	1	2	3	4	5	6	1	2	3	4	5	6
CD PLAY	0	-5.4	-0.6	20.4	20.4	20.4	20.4	20.4	20.4	-3.3	-3.3	-3.3	-3.3	-3.3	-3.3
STANDBY	0	-5.4	-0.6	20.4	20.4	20.4	20.4	20.4	20.4	-3.3	-3.3	-3.3	-3.3	-3.3	-3.3

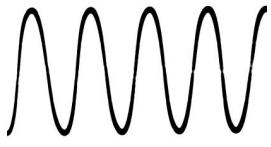









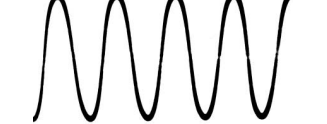
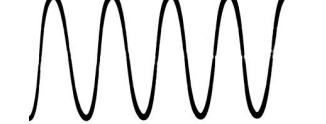

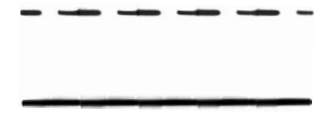
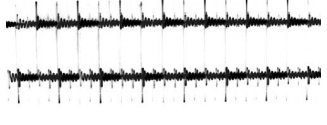
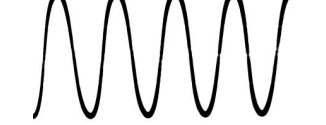




REF NO.	Q6201						Q6202						QR6001		
MODE	1	2	3	4	5	6	1	2	3	4	5	6	E	C	B
CD PLAY	20.4	20.4	20.4	20.4	20.4	20.4	-3.3	-3.3	-3.3	-3.3	-3.3	-3.3	0	0	2.8
STANDBY	20.4	20.4	20.4	20.4	20.4	20.4	-3.3	-3.3	-3.3	-3.3	-3.3	-3.3	0	0	2.8



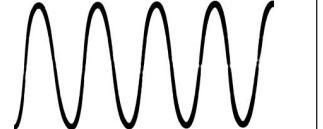

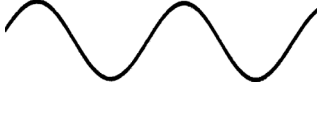
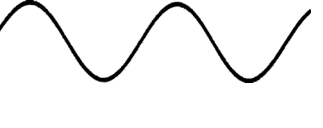
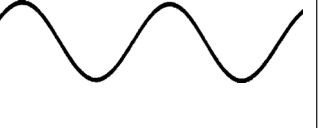
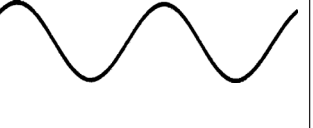
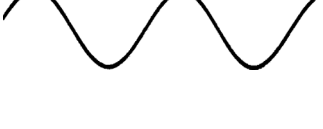
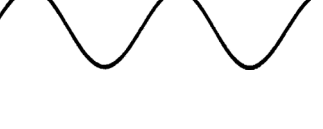

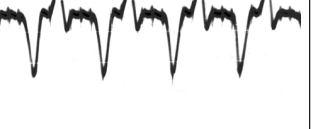

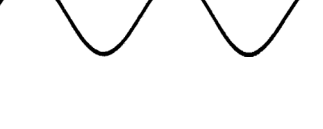



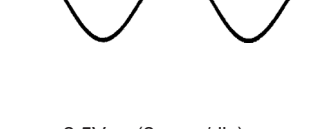


REF NO.	QR6003			QR6004			QR6005			QR6070		
MODE	E	C	B	E	C	B	E	C	B	E	C	B
CD PLAY	5.0	5.0	0	-4.8	5.0	-4.8	-15.3	4.6	-15.3	0	3.3	-3.1
STANDBY	5.0	5.0	0	-4.8	5.0	-4.8	-15.3	4.6	-15.3	0	3.3	-3.1

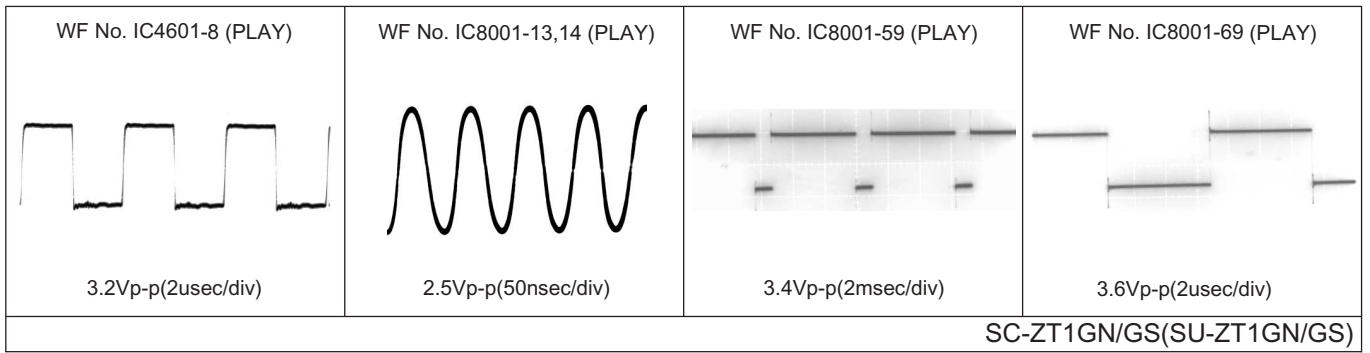
SC-ZT1GN/GS(SB-ZT1GN/GS) D-AMP P.C.B.

12.3. Waveform Chart

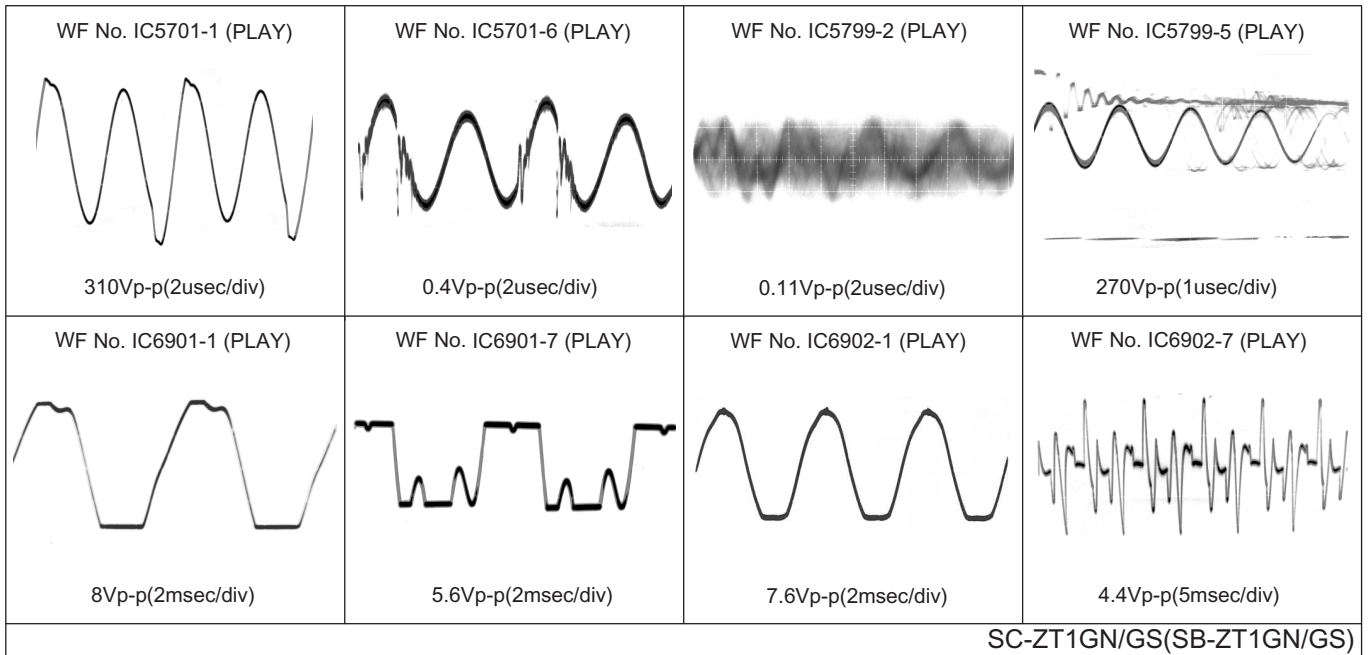
12.3.1. Main Unit (SU-ZT1)

<p>WF No. IC1000-17,18 (PLAY)</p>  <p>1.6Vp-p(20nsec/div)</p>	<p>WF No. IC1000-52 (PLAY)</p>  <p>6.4Vp-p(500nsec/div)</p>	<p>WF No. IC1000-126 (PLAY)</p>  <p>3.2Vp-p(2usec/div)</p>	<p>WF No. IC1001-7 (PLAY)</p>  <p>3.2Vp-p(2usec/div)</p>
<p>WF No. IC1001-13,16 (PLAY)</p>  <p>0.34Vp-p(500nsec/div)</p>	<p>WF No. IC1001-14,15 (PLAY)</p>  <p>0.24Vp-p(500nsec/div)</p>	<p>WF No. IC1001-20,21,26,27 (PLAY)</p>  <p>0.68Vp-p(5msec/div)</p>	<p>WF No. IC1001-30,31,32,33 (PLAY)</p>  <p>0.3Vp-p(500usec/div)</p>
<p>WF No. IC1001-34,35,36,37 (PLAY)</p>  <p>0.64Vp-p(500usec/div)</p>	<p>WF No. IC1004-1 (PLAY)</p>  <p>5.6Vp-p(50nsec/div)</p>	<p>WF No. IC2002-13 (PLAY)</p>  <p>3.8Vp-p(100nsec/div)</p>	<p>WF No. IC2002-15 (PLAY)</p>  <p>3Vp-p(100nsec/div)</p>
<p>WF No. IC2002-28 (PLAY)</p>  <p>3.8Vp-p(50usec/div)</p>	<p>WF No. IC2002-36 (PLAY)</p>  <p>3.2Vp-p(1usec/div)</p>	<p>WF No. IC2101-4,5 (PLAY)</p>  <p>4.4Vp-p(500nsec/div)</p>	<p>WF No. IC2101-88 (PLAY)</p>  <p>4Vp-p(20nsec/div)</p>
<p>WF No. IC2201-15 (PLAY)</p>  <p>3.2Vp-p(1msec/div)</p>	<p>WF No. IC2232-5 (PLAY)</p>  <p>4.5Vp-p(20nsec/div)</p>	<p>WF No. IC2232-27 (PLAY)</p>  <p>3.2Vp-p(1usec/div)</p>	<p>WF No. IC2232-81 (PLAY)</p>  <p>3.2Vp-p(5usec/div)</p>

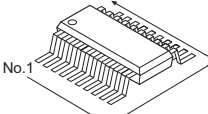
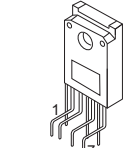
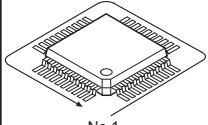
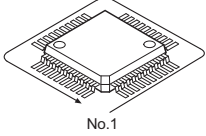
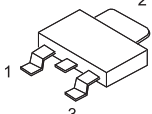
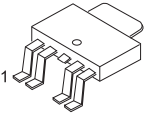
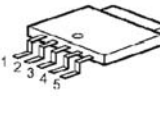
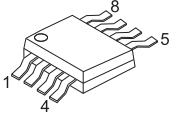
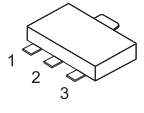
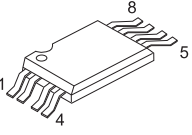
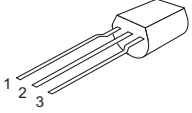
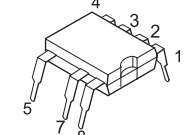
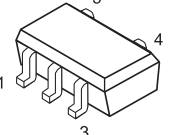
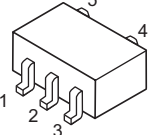
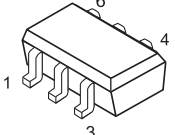
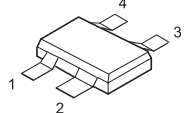
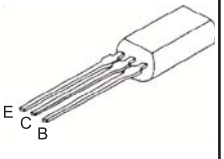
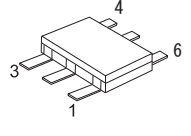
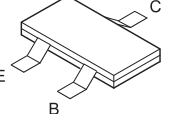
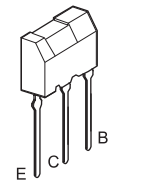
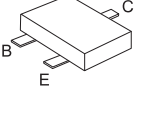
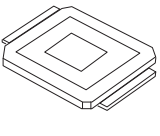
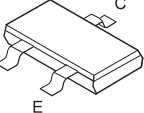
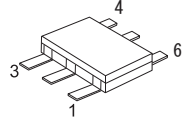
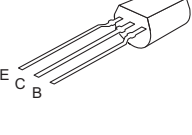
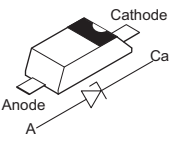
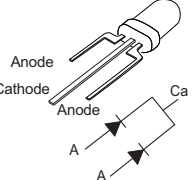
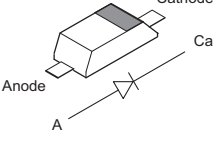
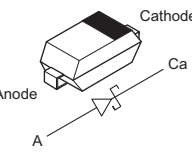
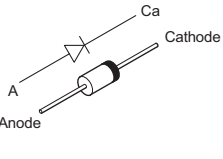
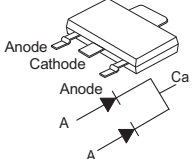
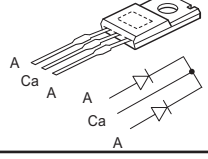
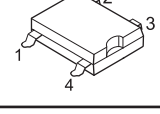
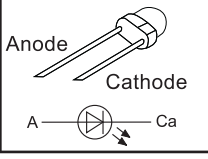
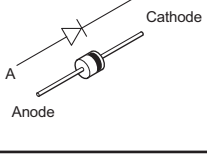
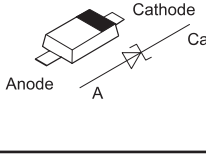
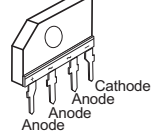
<p>WF No. IC2232-89 (PLAY)</p>  <p>6Vp-p(50nsec/div)</p>	<p>WF No. IC2232-94 (PLAY)</p>  <p>6.8Vp-p(20nsec/div)</p>	<p>WF No. IC2232-95 (PLAY)</p>  <p>2Vp-p(20nsec/div)</p>	<p>WF No. IC4001-4,5,8,9,13,14 (PLAY)</p>  <p>4Vp-p(500usec/div)</p>
<p>WF No. IC4001-16,17 (PLAY)</p>  <p>1.4Vp-p(500usec/div)</p>	<p>WF No. IC4001-21 (PLAY)</p>  <p>0.6Vp-p(2msec/div)</p>	<p>WF No. IC4001-32 (PLAY)</p>  <p>0.56Vp-p(2msec/div)</p>	<p>WF No. IC4001-40,41 (PLAY)</p>  <p>0.56Vp-p(500usec/div)</p>
<p>WF No. IC4001-48,49 (PLAY)</p>  <p>0.76Vp-p(500usec/div)</p>	<p>WF No. IC4101-1,7 (PLAY)</p>  <p>1.6Vp-p(500usec/div)</p>	<p>WF No. IC4102-1 (PLAY)</p>  <p>0.28Vp-p(500nsec/div)</p>	<p>WF No. IC4102-7 (PLAY)</p>  <p>0.34Vp-p(500nsec/div)</p>
<p>WF No. IC4201-1,7 (PLAY)</p>  <p>3.8Vp-p(500usec/div)</p>	<p>WF No. IC4202-1,7 (PLAY)</p>  <p>1.5Vp-p(500usec/div)</p>	<p>WF No. IC4203-7 (PLAY)</p>  <p>0.6Vp-p(2msec/div)</p>	<p>WF No. IC4301-1,7 (PLAY)</p>  <p>6Vp-p(500usec/div)</p>
<p>WF No. IC4302-1,7 (PLAY)</p>  <p>4.2Vp-p(2msec/div)</p>	<p>WF No. IC4303-1 (PLAY)</p>  <p>2.5Vp-p(2msec/div)</p>	<p>WF No. IC4303-7 (PLAY)</p>  <p>9.6Vp-p(2msec/div)</p>	<p>WF No. IC4304-1,7 (PLAY)</p>  <p>6.8Vp-p(500usec/div)</p>



12.3.2. Speaker Unit (SB-ZT1)

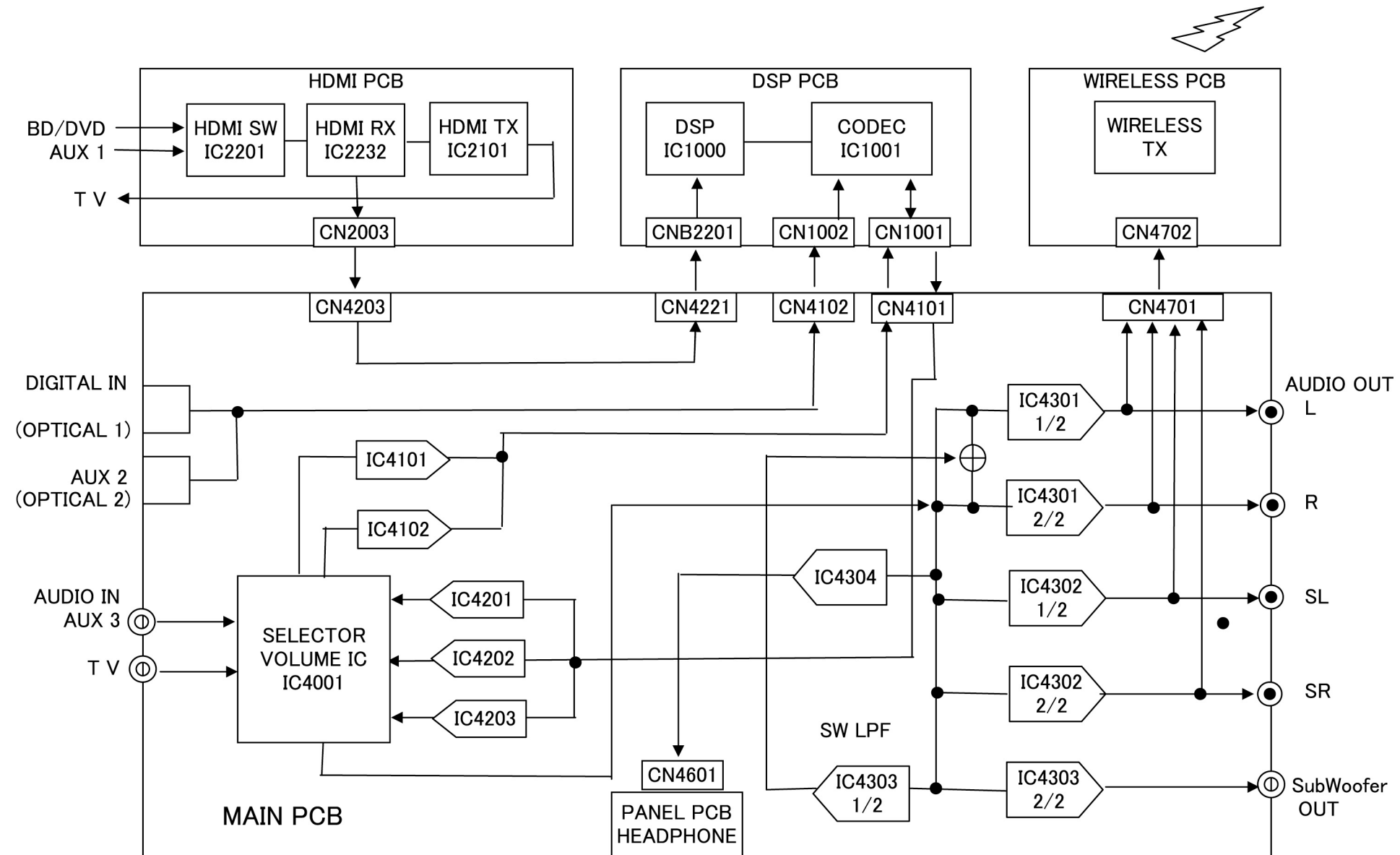


13 Illustration of IC's, Transistors and Diodes

<p>C0JBAZ001466 (20P) C3ABMG000238 (50P)</p>  <p>No.1</p>	<p>C0DAAMH00015</p> 	<p>RFKB4528A-M (48P) C0FBZK000013 (64P) C2HBCY000030 (128P) C0HBB0000057 (44P) C1AB00002975 (100P) C1BB00001134 (56P) C1AB00002977 (80P) RFKWMUZT1PP (100P)</p>  <p>No.1</p>	<p>C1AB00002989 (144P) C2CBYY000684 (100P)</p>  <p>No.1</p>	<p>C0CBACC00046</p> 	
<p>C0DBAYH00005 C0CBCBG00013 C0CBCAG00015</p> 	<p>C0DBEKG00004</p> 	<p>C0ABBB000230 C0ABBB000038 C0AABB000085 C0ABBB000125 RFKWFUZZT1PP</p> 	<p>C0CBADC00042</p> 	<p>RFKWEUZZT1PP</p> 	
<p>C0DAEMZ00001</p> 	<p>MIP2F20MSSCF MIP2F50MSSCF</p> 	<p>C0EBE0000338 C0ZBZ0001675</p> 	<p>C0CBCDC00014 C0CBCBC00049</p> 	<p>C0JBAR000396</p> 	<p>C0EBG0000107</p> 
<p>2SC3940ARA</p> 	<p>B1HBDC00001</p> 	<p>B1GDCFJJ0008 B1GBCFJJ0007</p> 	<p>B1BABK000001</p> 	<p>UNR5111J0L</p> 	<p>B1CBRK000001</p> 
<p>B1ADCF000001 B1GBCFJA0017 B1GBCFGG0030 B1ADMB000003</p> 	<p>B1ABCF000176 B1ADCE000012 B1ABCF000011 B1GBCFGN0018 B1ABCF000079 UNR221300L B1GDCFJG0005 2SA207700L B1ADNB000003</p> 	<p>2SB0621AHA</p> 	<p>B0BC019A0007 B0BC6R100010 B0BC02400011 B0BC4R600016 B0BC035A0007</p> 	<p>B3AJA0000011</p> 	
<p>B0BC026A0007 B0ACCK000005 MA2J7280GL B0JCMD000010 B0JCAE000001 MA2J1110GL</p> 	<p>B0JCPG000005 B0HCMM000019</p> 	<p>B0EAMM000057 B0HAMP000094 B0JAME000029</p> 	<p>B0HDRM000002</p> 		
<p>B0HBSM000054</p> 	<p>B0EDKT000009</p> 	<p>B3AEA0000058</p> 	<p>B0JAMF000011</p> 	<p>MAZ8200GML MAZ8300GML MAZ8075GML MAZ8120GML MAZ8150GML MAZ8051GML MAZ8091GML</p> 	
<p>B0EBNR000015</p> 					

14 Overall Simplified Block

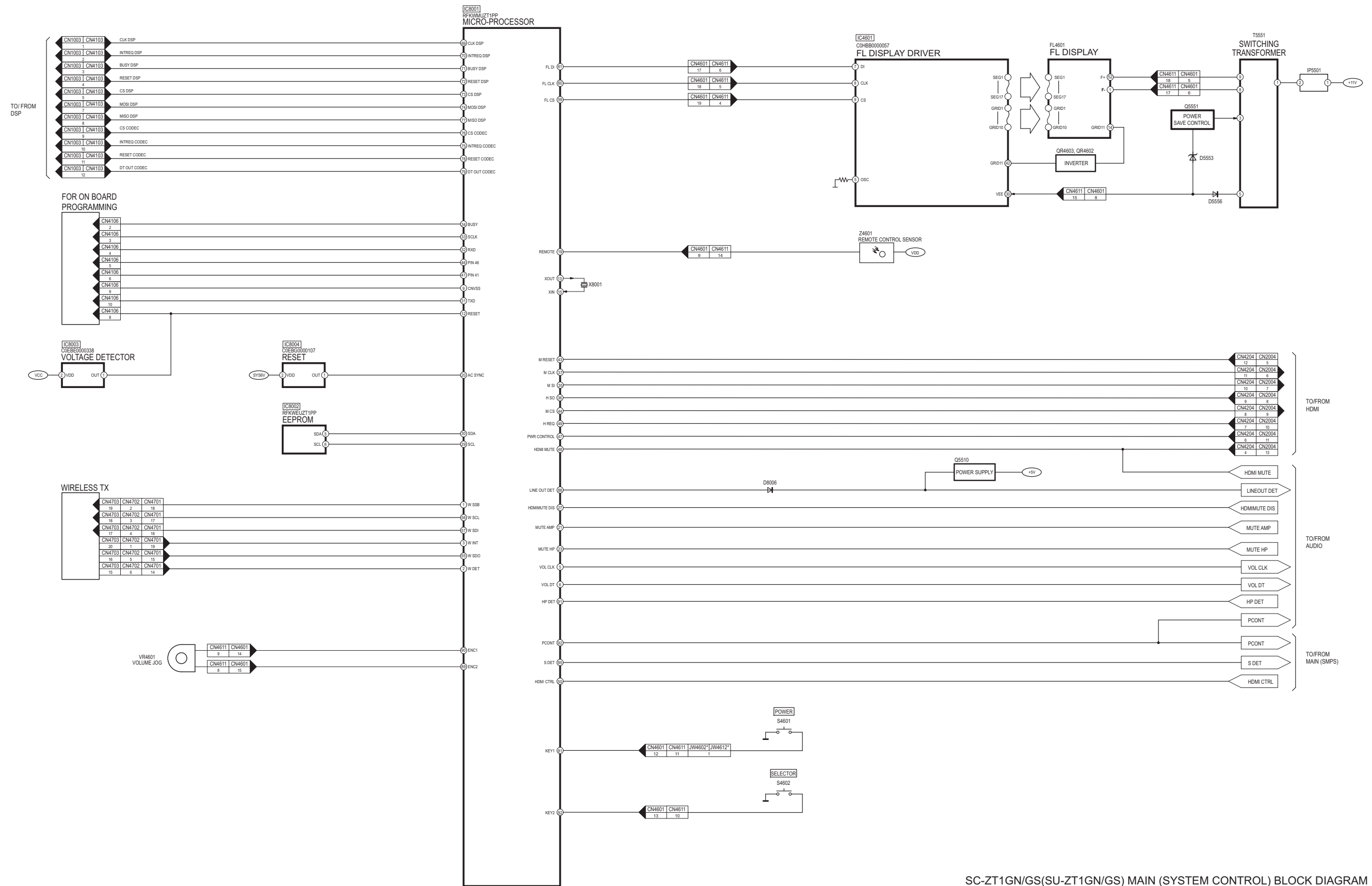
14.1. Signal Flow (SU-ZT1)



15 Block Diagram

15.1. Main Unit (SU-ZT1)

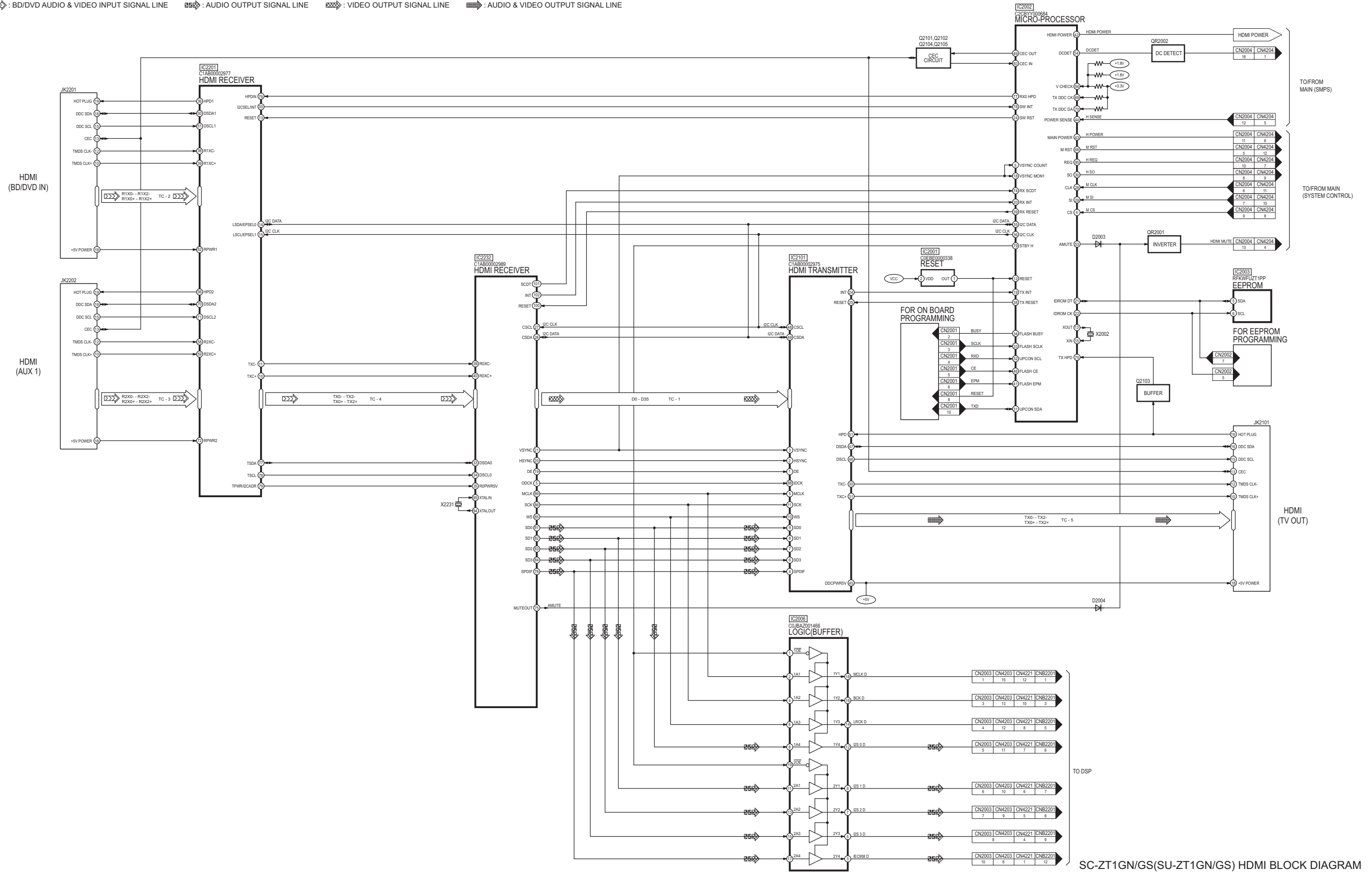
15.1.1. MAIN (SYSTEM CONTROL) BLOCK DIAGRAM



SC-ZT1GN/GS(SU-ZT1GN/GS) MAIN (SYSTEM CONTROL) BLOCK DIAGRAM

15.1.2. HDMI BLOCK DIAGRAM

: BD/DVD AUDIO & VIDEO INPUT SIGNAL LINE
 : AUDIO OUTPUT SIGNAL LINE
 : VIDEO OUTPUT SIGNAL LINE
 : AUDIO & VIDEO OUTPUT SIGNAL LINE



SC-ZT1GN/GS(SU-ZT1GN/GS) HDMI BLOCK DIAGRAM

15.1.3. IC TERMINAL (HDMI) CHART

TC	IC2232 / HDMI RECEIVER		SIGNAL NAME	IC2101 / HDMI TRANSMITTER	
	Port Name	Pin No		Pin No	Port Name
1	Q0	16	D0	98	D0
	Q1	15	D1	97	D1
	Q2	14	D2	96	D2
	Q3	13	D3	95	D3
	Q4	10	D4	94	D4
	Q5	9	D5	93	D5
	Q6	8	D6	92	D6
	Q7	7	D7	91	D7
	Q8	3	D8	90	D8
	Q9	2	D9	86	D9
	Q10	1	D10	85	D10
	Q11	144	D11	84	D11
	Q12	141	D12	83	D12
	Q13	140	D13	82	D13
	Q14	139	D14	81	D14
	Q15	138	D15	80	D15
	Q16	135	D16	79	D16
	Q17	134	D17	78	D17
	Q18	133	D18	77	D18
	Q19	132	D19	75	D19
	Q20	129	D20	74	D20
	Q21	128	D21	73	D21
	Q22	127	D22	72	D22
	Q23	126	D23	71	D23
	Q24	123	D24	70	D24
	Q25	122	D25	69	D25
	Q26	121	D26	68	D26
	Q27	120	D27	67	D27
	Q28	117	D28	63	D28
	Q29	116	D29	62	D29
	Q30	115	D30	61	D30
	Q31	114	D31	60	D31
	Q32	111	D32	59	D32
	Q33	110	D33	58	D33
	Q34	109	D34	57	D34
Q35	108	D35	56	D35	

TC	IC2201 / HDMI RECEIVER		SIGNAL NAME	IC2232 / HDMI RECEIVER	
	Port Name	Pin No		Pin No	Port Name
4	TX0-	8	R0X0-	43	R0X0-
	TX0+	7	R0X0+	44	R0X0+
	TX1-	5	R0X1-	47	R0X1-
	TX1+	4	R0X1+	48	R0X1+
	TX2-	2	R0X2-	51	R0X2-
	TX2+	1	R0X2+	52	R0X2+

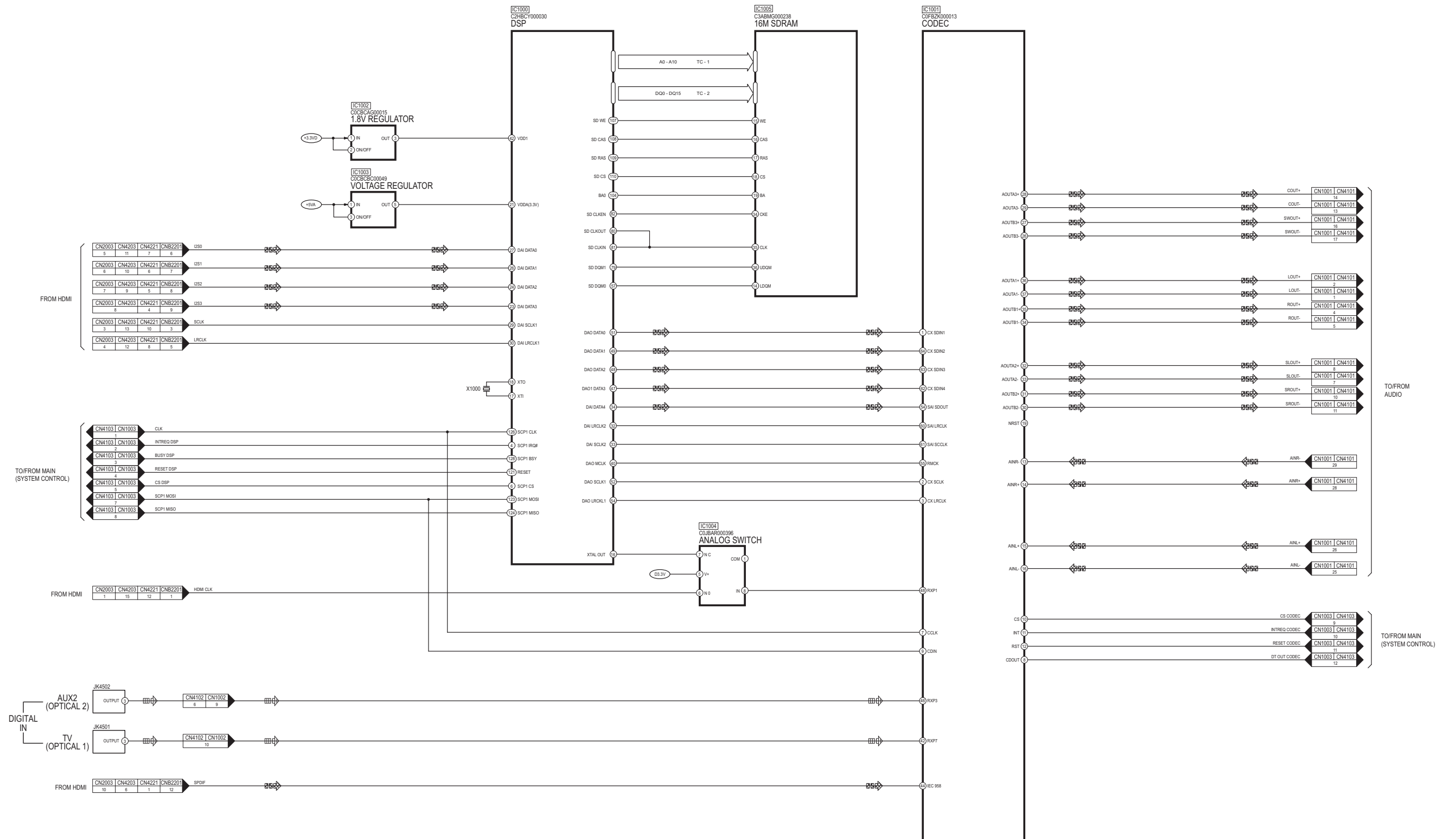
TC	IC2101 / HDMI TRANSMITTER		SIGNAL NAME	JK2101 / HDMI (TV OUT)	
	Port Name	Pin No		Pin No	Port Name
5	TX0-	33	TX0-	9	TMDS D0-
	TX0+	34	TX0+	7	TMDS D0+
	TX1-	36	TX1-	6	TMDS D1-
	TX1+	37	TX1+	4	TMDS D1+
	TX2-	39	TX2-	3	TMDS D2-
	TX2+	40	TX2+	1	TMDS D2+

TC	JK2201 / HDMI (BD/DVD IN)		SIGNAL NAME	IC2201 / HDMI RECEIVER	
	Port Name	Pin No		Pin No	Port Name
2	TMDS D0-	9	R1X0-	41	R1X0-
	TMDS D0+	7	R1X0+	42	R1X0+
	TMDS D1-	6	R1X1-	44	R1X1-
	TMDS D1+	4	R1X1+	45	R1X1+
	TMDS D2-	3	R1X2-	47	R1X2-
	TMDS D2+	1	R1X2+	48	R1X2+

TC	JK2202 / HDMI (AUX 1)		SIGNAL NAME	IC2201 / HDMI RECEIVER	
	Port Name	Pin No		Pin No	Port Name
3	TMDS D0-	9	R2X0-	61	R2X0-
	TMDS D0+	7	R2X0+	62	R2X0+
	TMDS D1-	6	R2X1-	64	R2X1-
	TMDS D1+	4	R2X1+	65	R2X1+
	TMDS D2-	3	R2X2-	67	R2X2-
	TMDS D2+	1	R2X2+	68	R2X2+

15.1.4. DSP BLOCK DIAGRAM

 : OPTICAL AUDIO INPUT SIGNAL LINE
  : AUDIO OUTPUT SIGNAL LINE



SC-ZT1GN/GS(SU-ZT1GN/GS) DSP BLOCK DIAGRAM

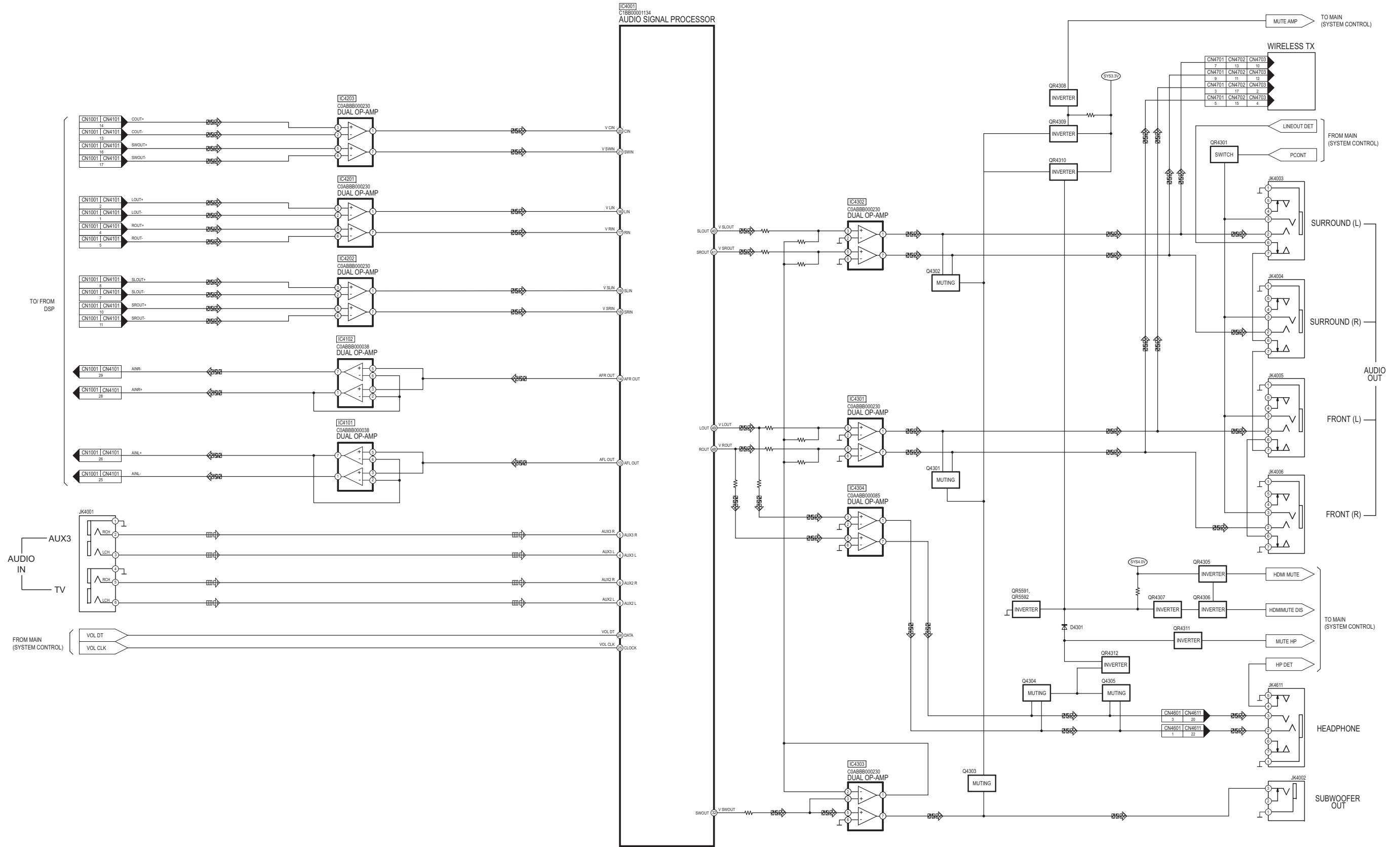
15.1.5. IC TERMINAL (DSP) CHART

TC	IC1000 / DSP		SIGNAL NAME	IC1005 / 16M SDRAM	
	Port Name	Pin No		Pin No	Port Name
1	EXT A0	102	A0	21	A0
	EXT A1	101	A1	22	A1
	EXT A2	99	A2	23	A2
	EXT A3	97	A3	24	A3
	EXT A4	96	A4	27	A4
	EXT A5	93	A5	28	A5
	EXT A6	91	A6	29	A6
	EXT A7	90	A7	30	A7
	EXT A8	88	A8	31	A8
	EXT A9	87	A9	32	A9
	EXT A10	103	A10	20	A10

TC	IC1000 / DSP		SIGNAL NAME	IC1005 / 16M SDRAM	
	Port Name	Pin No		Pin No	Port Name
2	EXT DQ0	68	DQ0	2	DQ0
	EXT DQ1	65	DQ1	3	DQ1
	EXT DQ2	64	DQ2	5	DQ2
	EXT DQ3	63	DQ3	6	DQ3
	EXT DQ4	61	DQ4	8	DQ4
	EXT DQ5	60	DQ5	9	DQ5
	EXT DQ6	59	DQ6	11	DQ6
	EXT DQ7	58	DQ7	12	DQ7
	EXT DQ8	78	DQ8	39	DQ8
	EXT DQ9	77	DQ9	40	DQ9
	EXT DQ10	75	DQ10	42	DQ10
	EXT DQ11	74	DQ11	43	DQ11
	EXT DQ12	72	DQ12	45	DQ12
	EXT DQ13	71	DQ13	46	DQ13
	EXT DQ14	70	DQ14	48	DQ14
	EXT DQ15	69	DQ15	49	DQ15

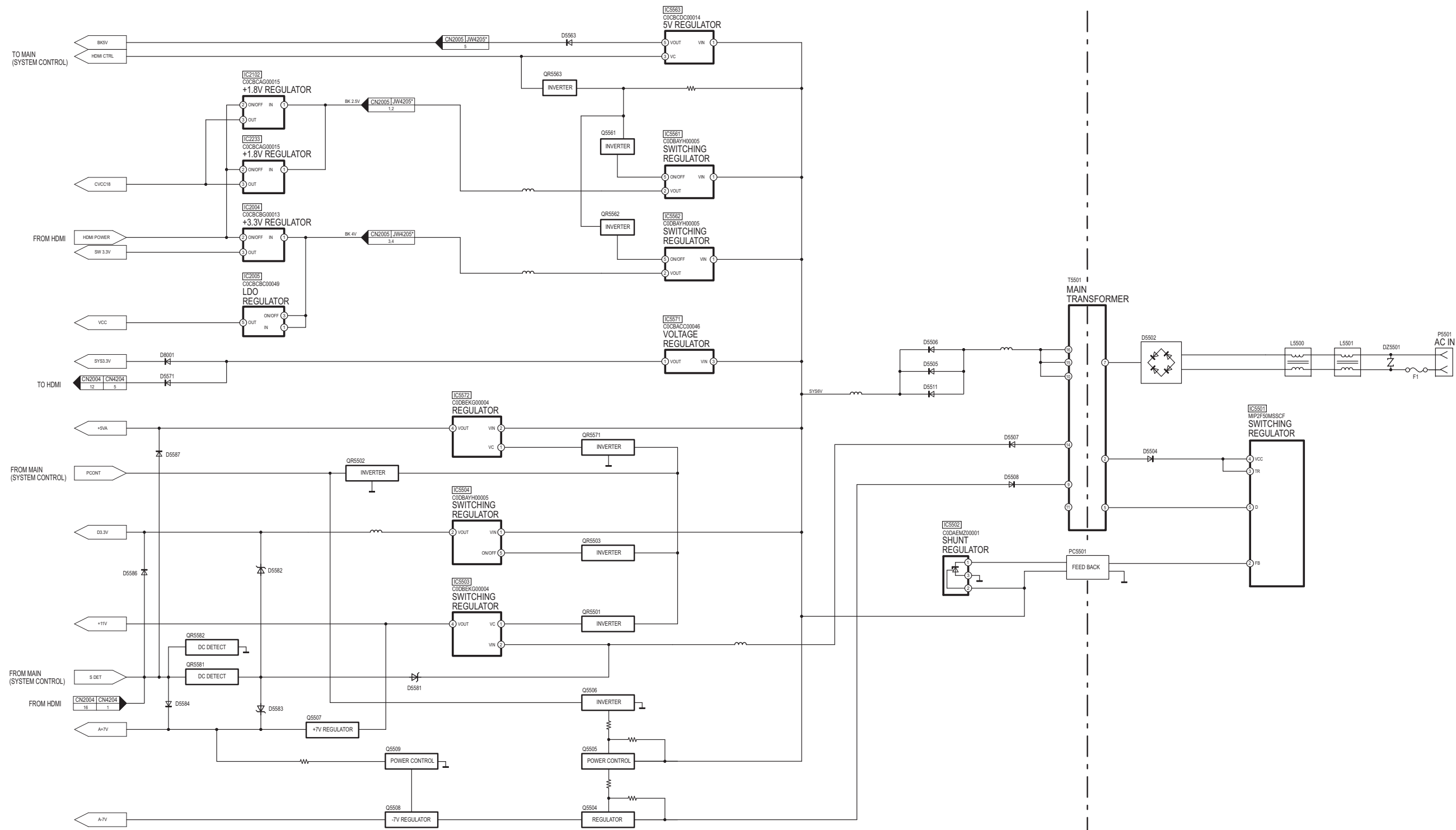
15.1.6. AUDIO BLOCK DIAGRAM

 : AUX/OPTICAL AUDIO INPUT SIGNAL LINE
  : AUDIO OUTPUT SIGNAL LINE



SC-ZT1GN/GS(SU-ZT1GN/GS) AUDIO BLOCK DIAGRAM

15.1.7. MAIN (SMPS) BLOCK DIAGRAM

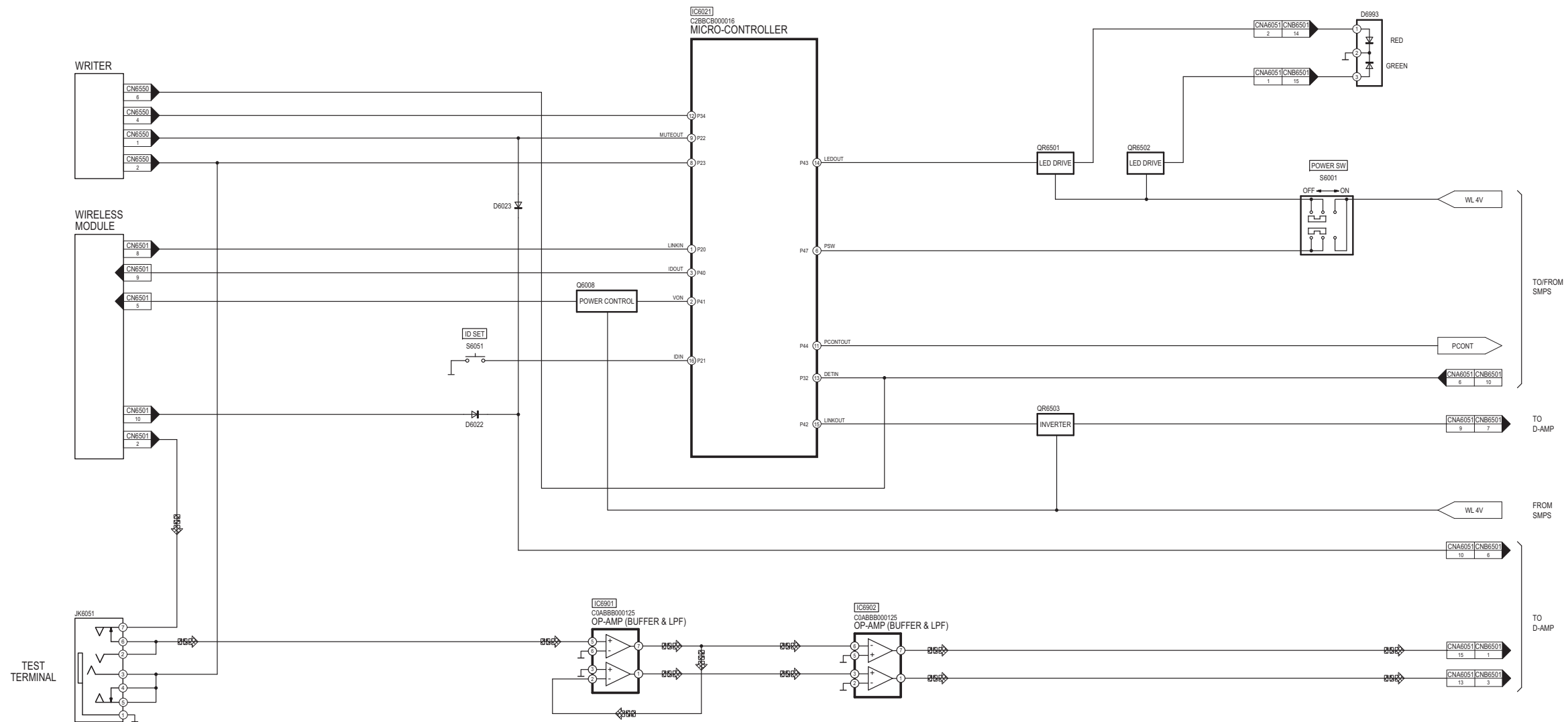


SC-ZT1GN/GS(SU-ZT1GN/GS) MAIN (SMPS) BLOCK DIAGRAM

15.2. Speaker Unit (SB-ZT1)

15.2.1. INPUT BLOCK DIAGRAM

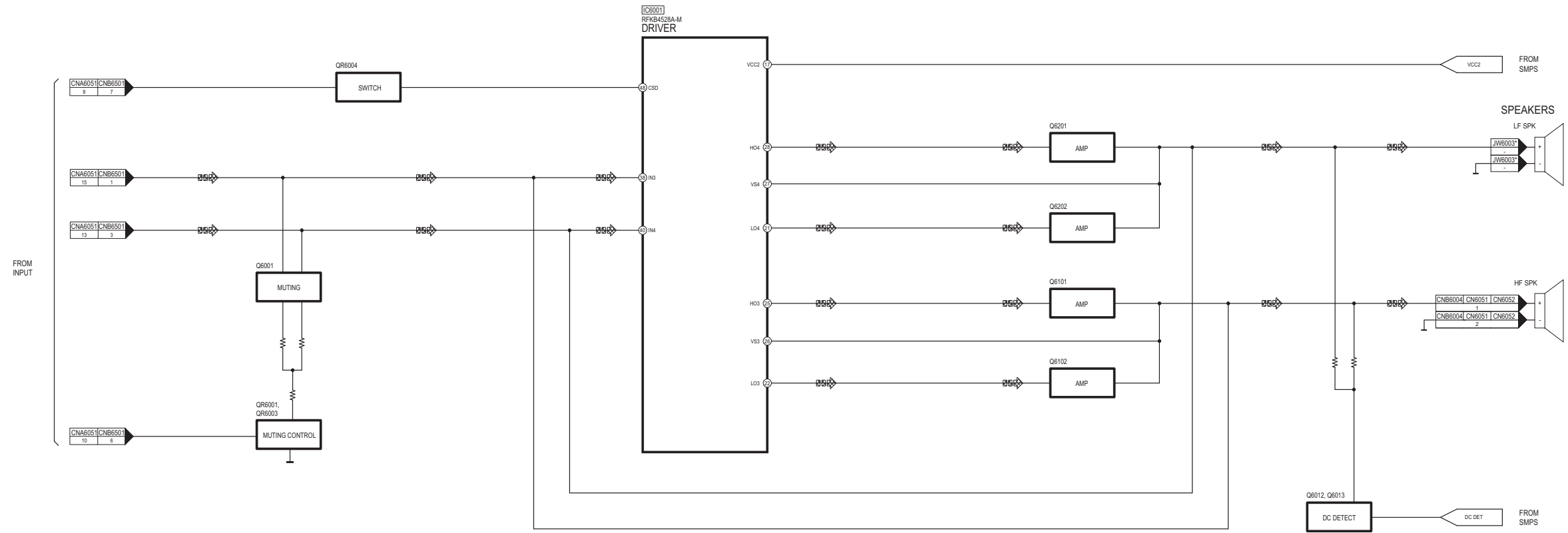
 : AUDIO OUTPUT SIGNAL LINE



SC-ZT1GN/GS(SB-ZT1GN/GS) INPUT BLOCK DIAGRAM

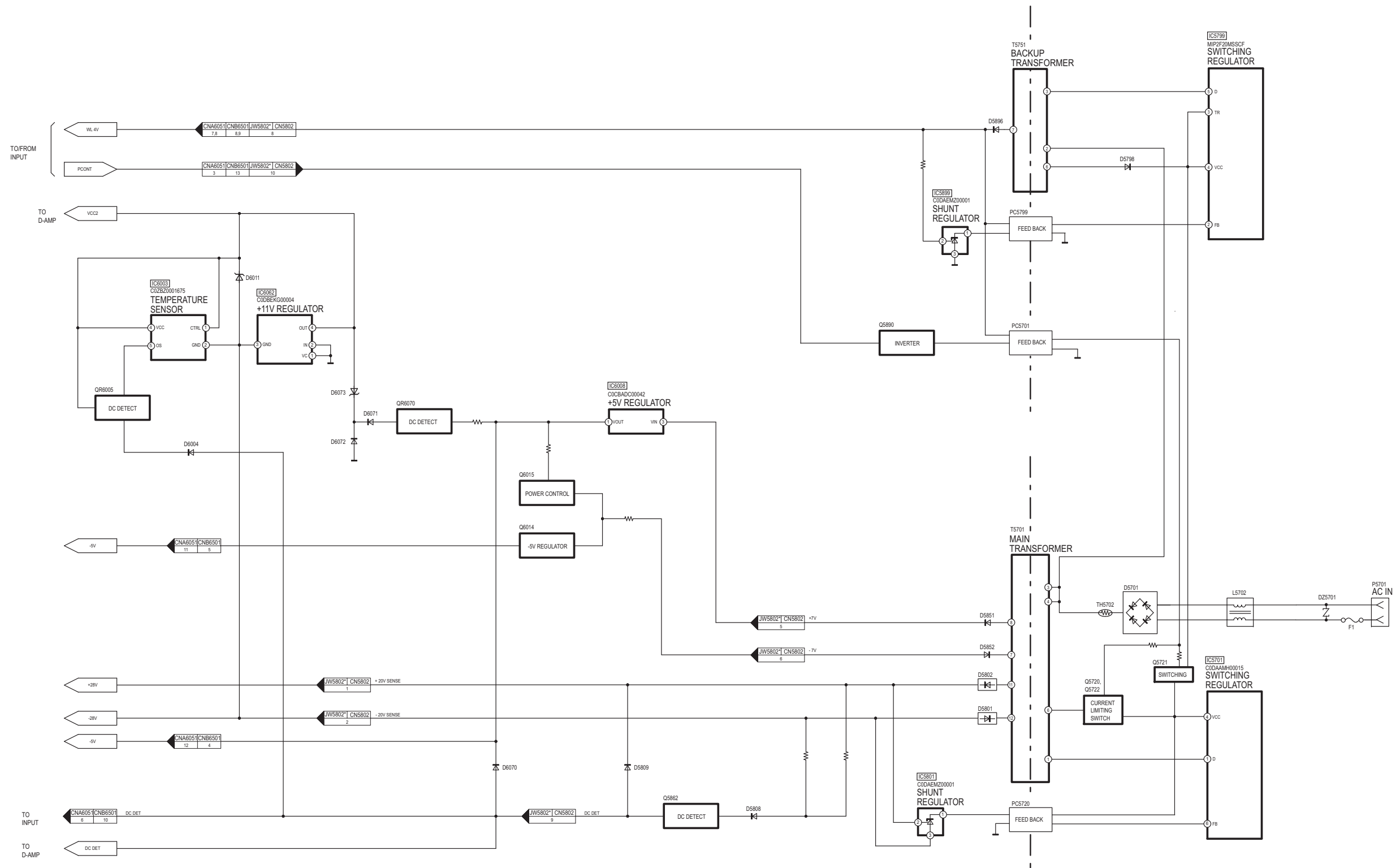
15.2.2. D-AMP BLOCK DIAGRAM

 : AUDIO OUTPUT SIGNAL LINE



SC-ZT1GN/GS(SB-ZT1GN/GS) D-AMP BLOCK DIAGRAM

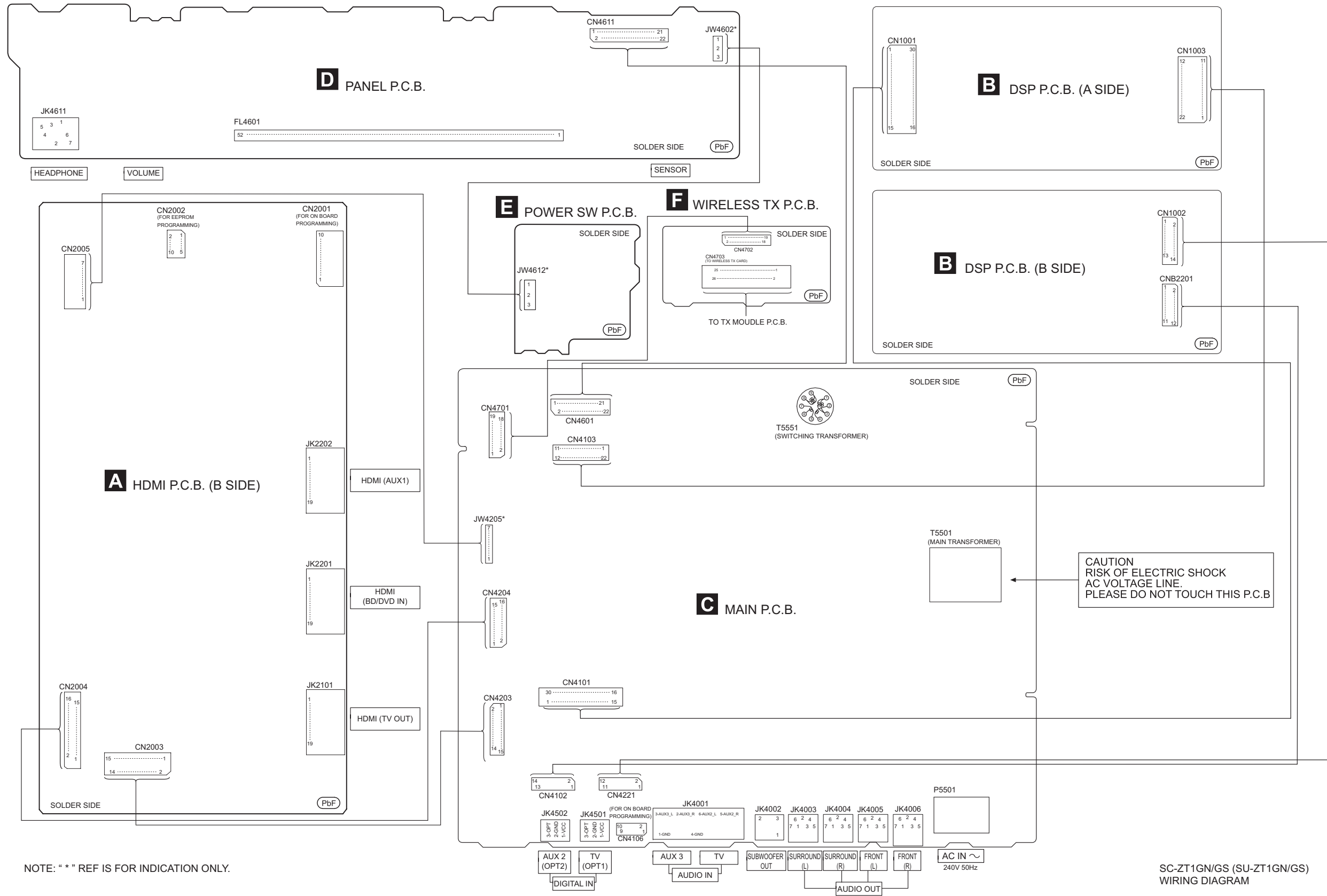
15.2.3. SMPS BLOCK DIAGRAM



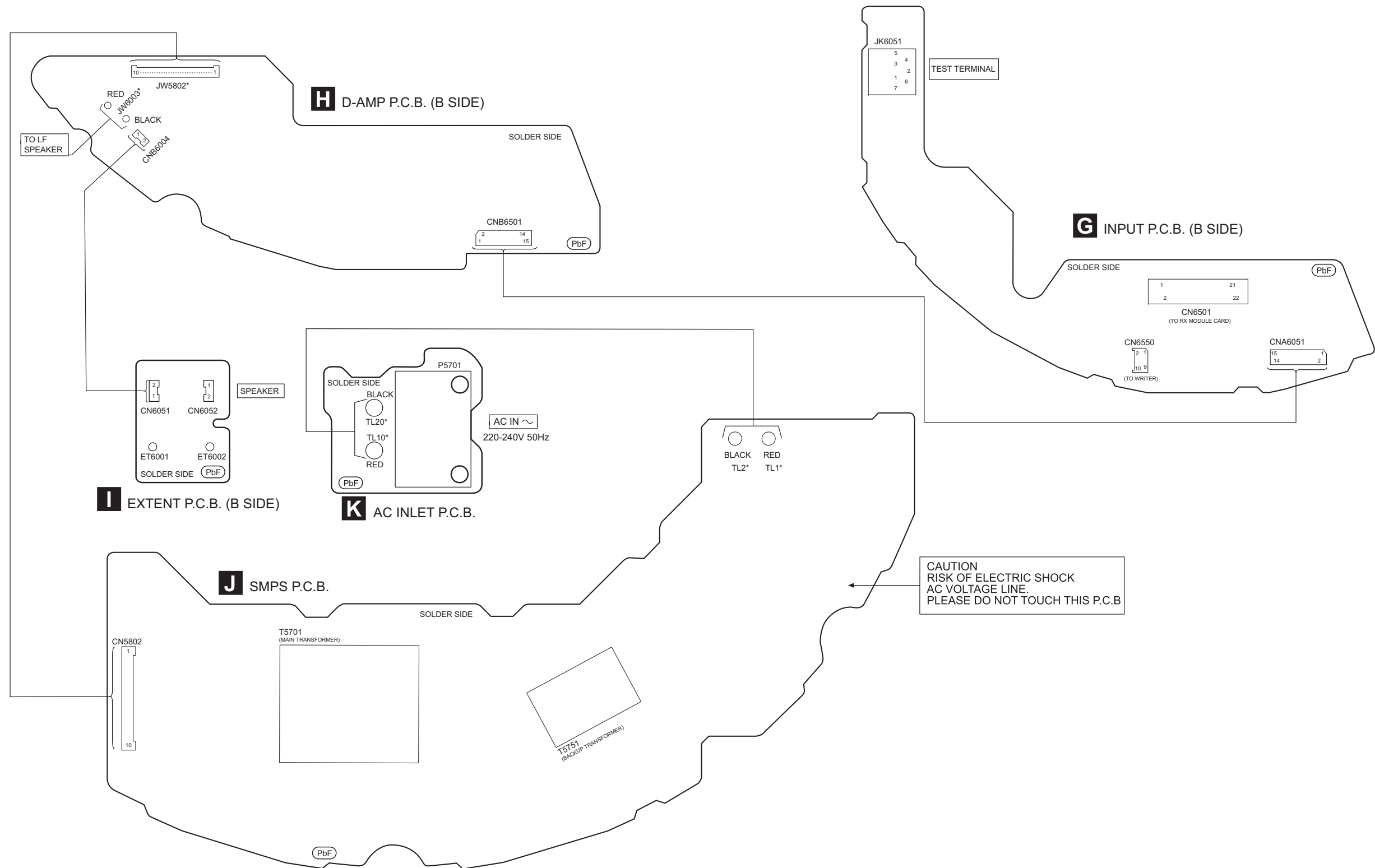
SC-ZT1GN/GS(SB-ZT1GN/GS) SMPS BLOCK DIAGRAM

16 Wiring Connection Diagram

16.1. Main Unit (SU-ZT1)



16.2. Speaker Unit (SB-ZT1)



NOTE: "*" REF IS FOR INDICATION ONLY.

SC-ZT1GN/GS (SB-ZT1GN/GS)
WIRING DIAGRAM

17 Schematic Diagram Notes

(All schematic diagrams may be modified at any time with the development of new technology)

Notes:

- S4601:** POWER switch. (⏻).
- S4602:** SELECTOR switch.
- S6001:** POWER switch. (⏻).
- S6051:** ID SET switch.

• Important safety notice:

Components identified by \triangle mark have special characteristics important for safety.

Furthermore, special parts which have purposes of fire-retardant (resistors), high quality sound (capacitors), low-noise (resistors), etc are used.

When replacing any of components, be sure to use only manufacturer's specified parts shown in the parts list.

• In case of AC rated voltage Capacitors, the part no. and values will be indicated in the Schematic Diagram.

AC rated voltage capacitors:

C5501, C5502, C5509, C5700, C5701, C5703, C5704

• **Resistor**

Unit of resistance is OHM [Ω] (K=1,000, M=1,000,000).

• **Capacitor**

Unit of capacitance is μF , unless otherwise noted. F=Farads, pF=pico-Farad.



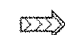
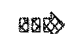



• **Coil**

Unit of inductance is H, unless otherwise noted.

• *

REF IS FOR INDICATION ONLY.

• **Voltage and Signal lines:**

-  : +B signal line
-  : -B signal line
-  : BD/DVD Audio & Video Input signal line
-  : Audio Output signal line
-  : Video Output signal line
-  : Audio & Video Output signal line
-  : AUX/Optical Audio Input signal line

Main Unit (SU-ZT1)

CAUTION: FOR CONTINUED PROTECTION AGAINST FIRE HAZARD, REPLACE ONLY WITH SAME TYPE F701, T2AL 250V FUSE



RISK OF FIRE-REPLACE FUSE AS MARKED.


Speaker Unit (SB-ZT1)

CAUTION: FOR CONTINUED PROTECTION AGAINST FIRE HAZARD, REPLACE ONLY WITH SAME TYPE F1, T2AH 250V FUSE



RISK OF FIRE-REPLACE FUSE AS MARKED.

FUSE CAUTION

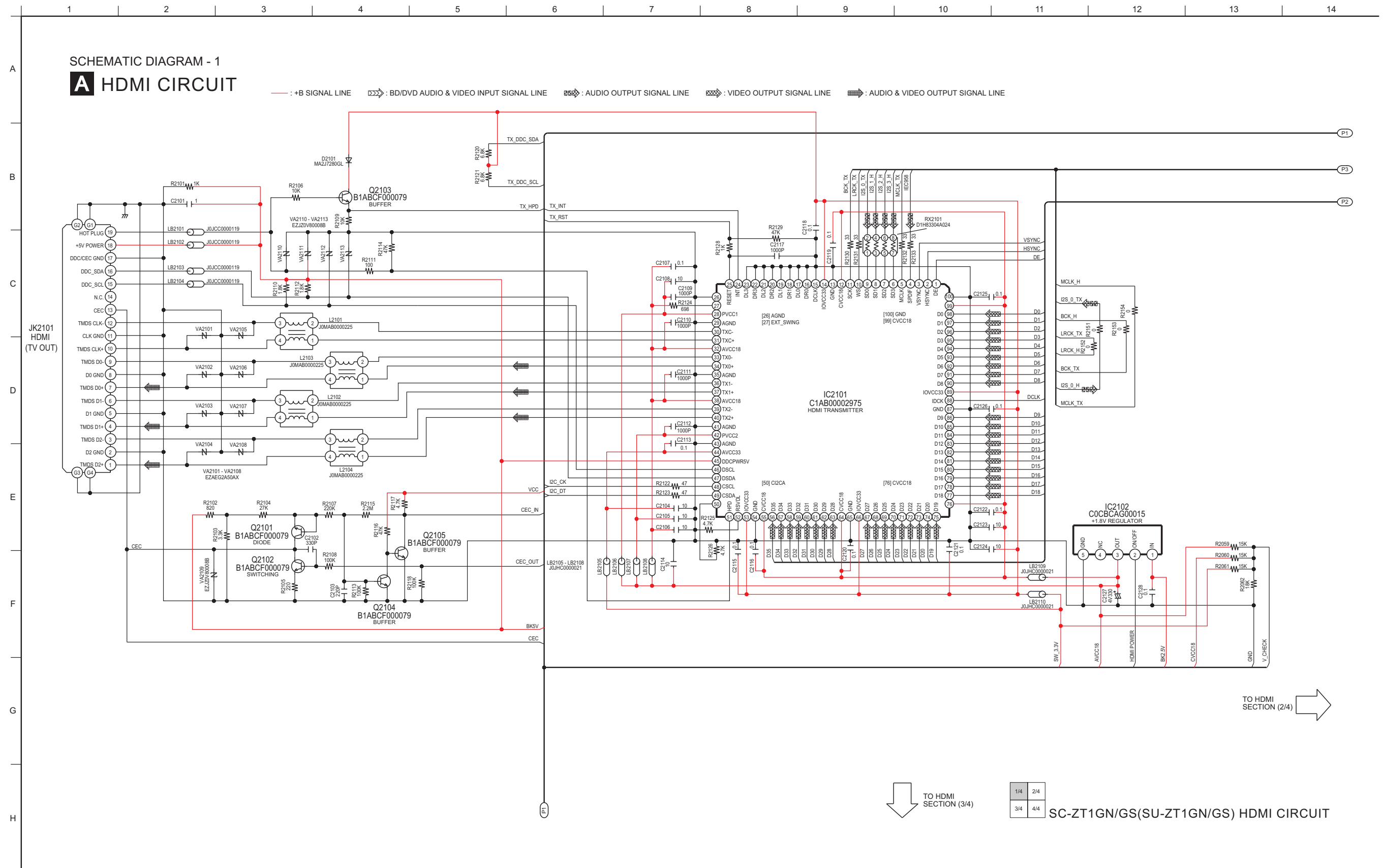


These symbols located near the fuse indicates that the fuse used is a fast operating type. For continued protection against fire hazard, replace with the same type fuse. For fuse rating, refer to the marking adjacent to the symbol.

18 Schematic Diagram

18.1. Main Unit (SU-ZT1)

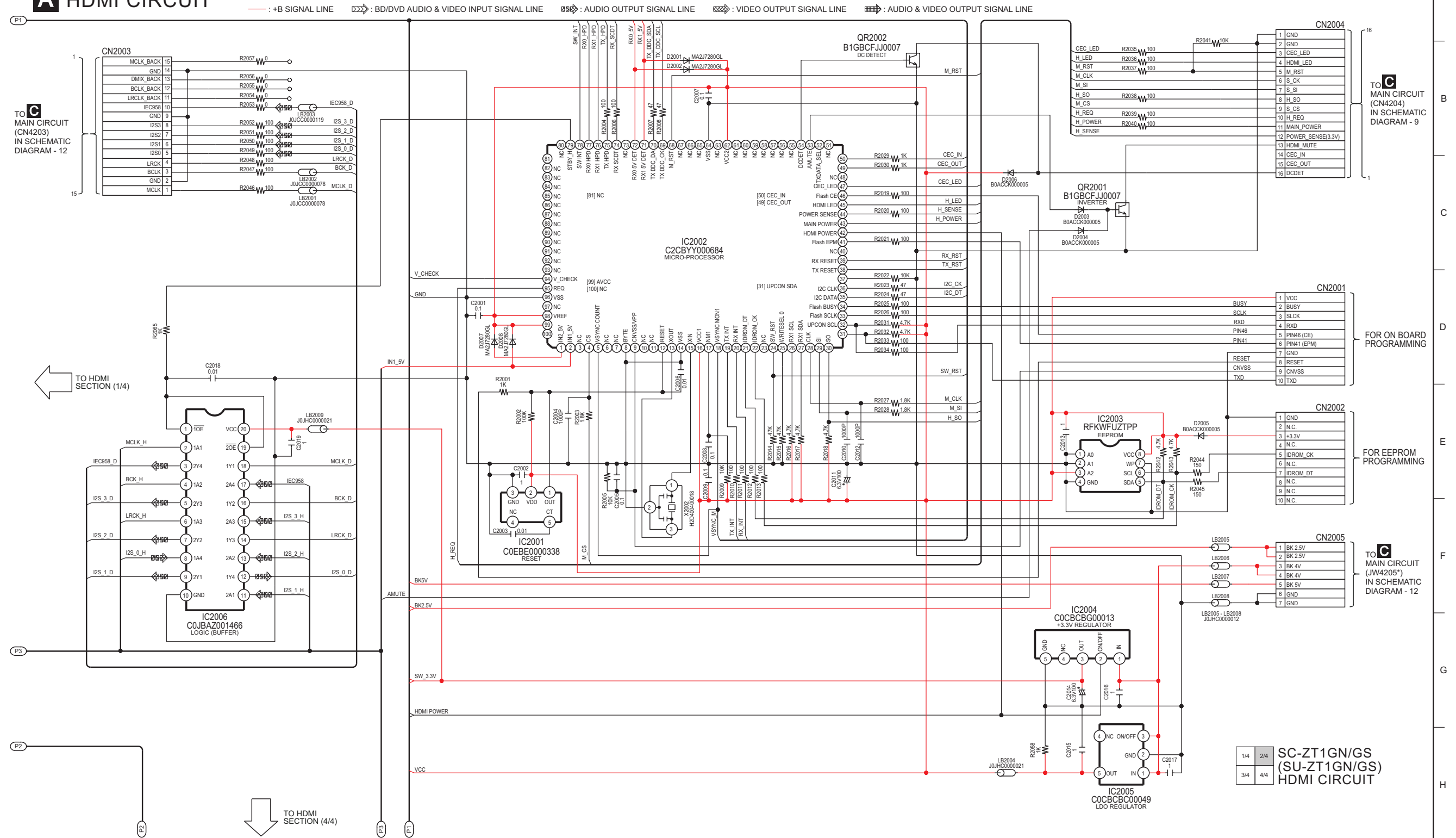
18.1.1. HDMI CIRCUIT (1/4)



18.1.2. HDMI CIRCUIT (2/4)

SCHEMATIC DIAGRAM - 2

A HDMI CIRCUIT



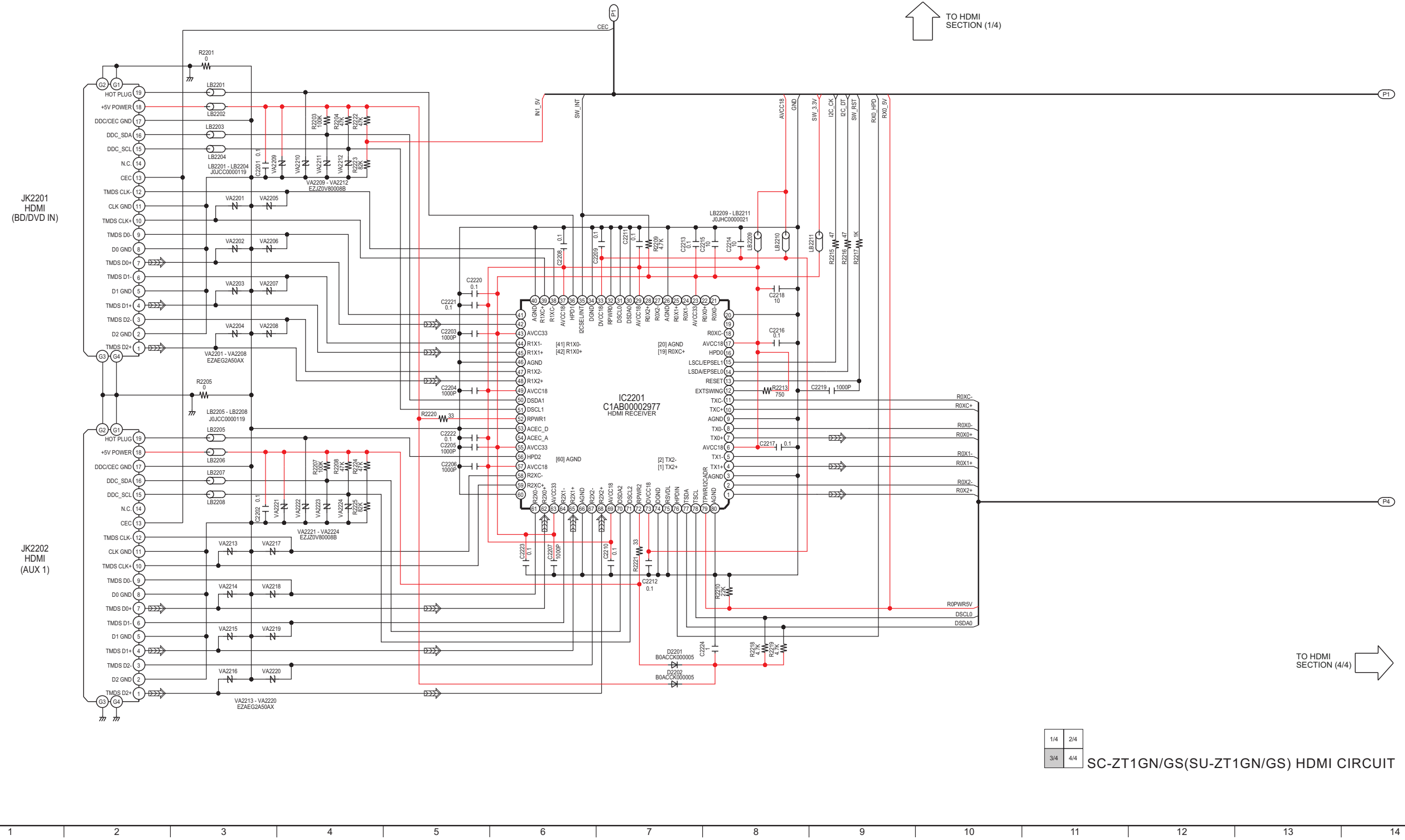
1/4	2/4	SC-ZT1GN/GS (SU-ZT1GN/GS) HDMI CIRCUIT
3/4	4/4	

18.1.3. HDMI CIRCUI (3/4)

SCHEMATIC DIAGRAM - 3

A HDMI CIRCUI

— : +B SIGNAL LINE  : BD/DVD AUDIO & VIDEO INPUT SIGNAL LINE  : AUDIO OUTPUT SIGNAL LINE  : VIDEO OUTPUT SIGNAL LINE  : AUDIO & VIDEO OUTPUT SIGNAL LINE



↑ TO HDMI SECTION (1/4)

TO HDMI SECTION (4/4) →

1/4	2/4
3/4	4/4

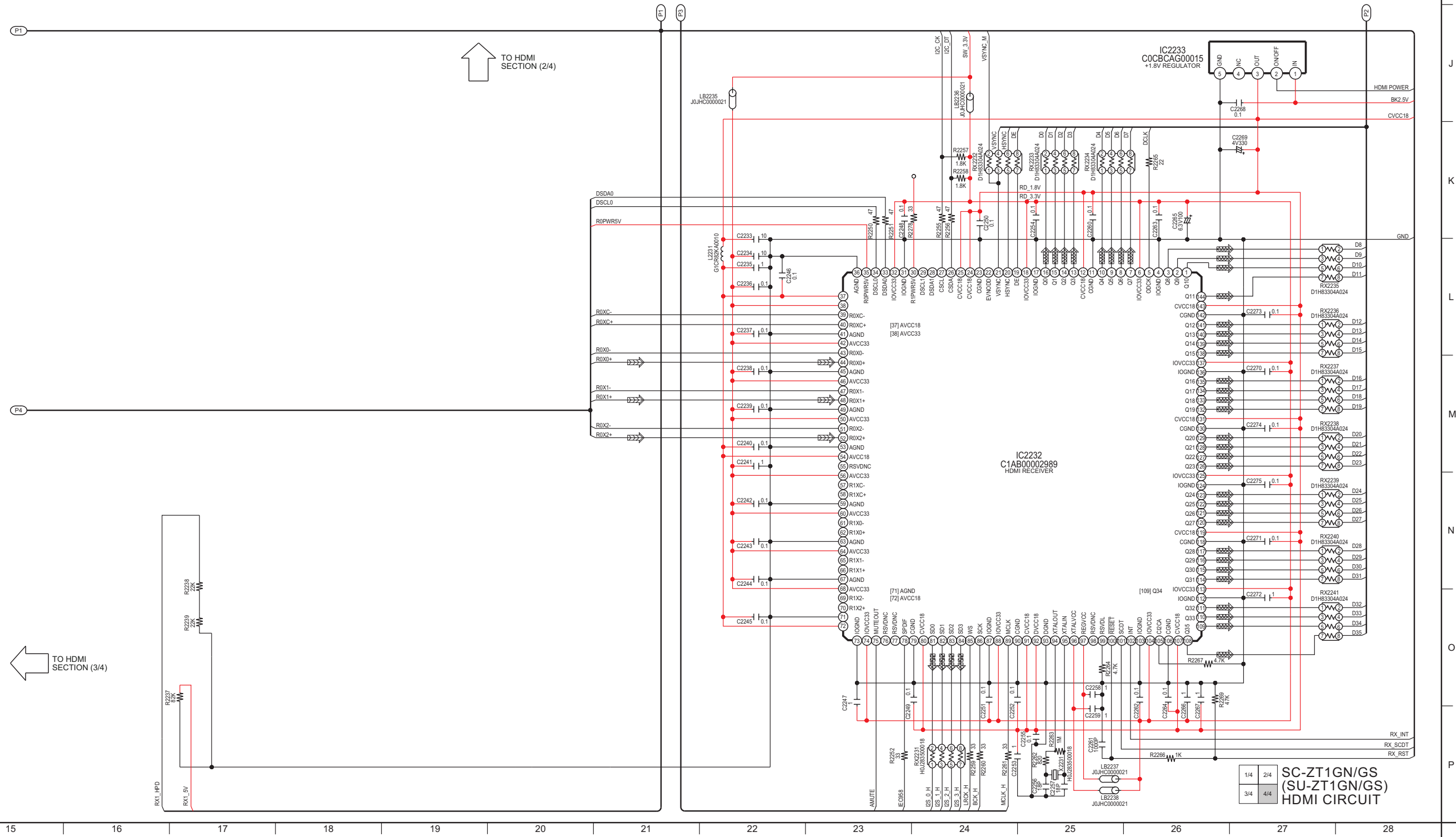
SC-ZT1GN/GS(SU-ZT1GN/GS) HDMI CIRCUI

18.1.4. HDMI CIRCUIT (4/4)

SCHEMATIC DIAGRAM - 4

A HDMI CIRCUIT

— : +B SIGNAL LINE : BD/DVD AUDIO & VIDEO INPUT SIGNAL LINE : AUDIO OUTPUT SIGNAL LINE : VIDEO OUTPUT SIGNAL LINE : AUDIO & VIDEO OUTPUT SIGNAL LINE



1/4 2/4 SC-ZT1GN/GS (SU-ZT1GN/GS) HDMI CIRCUIT
3/4 4/4

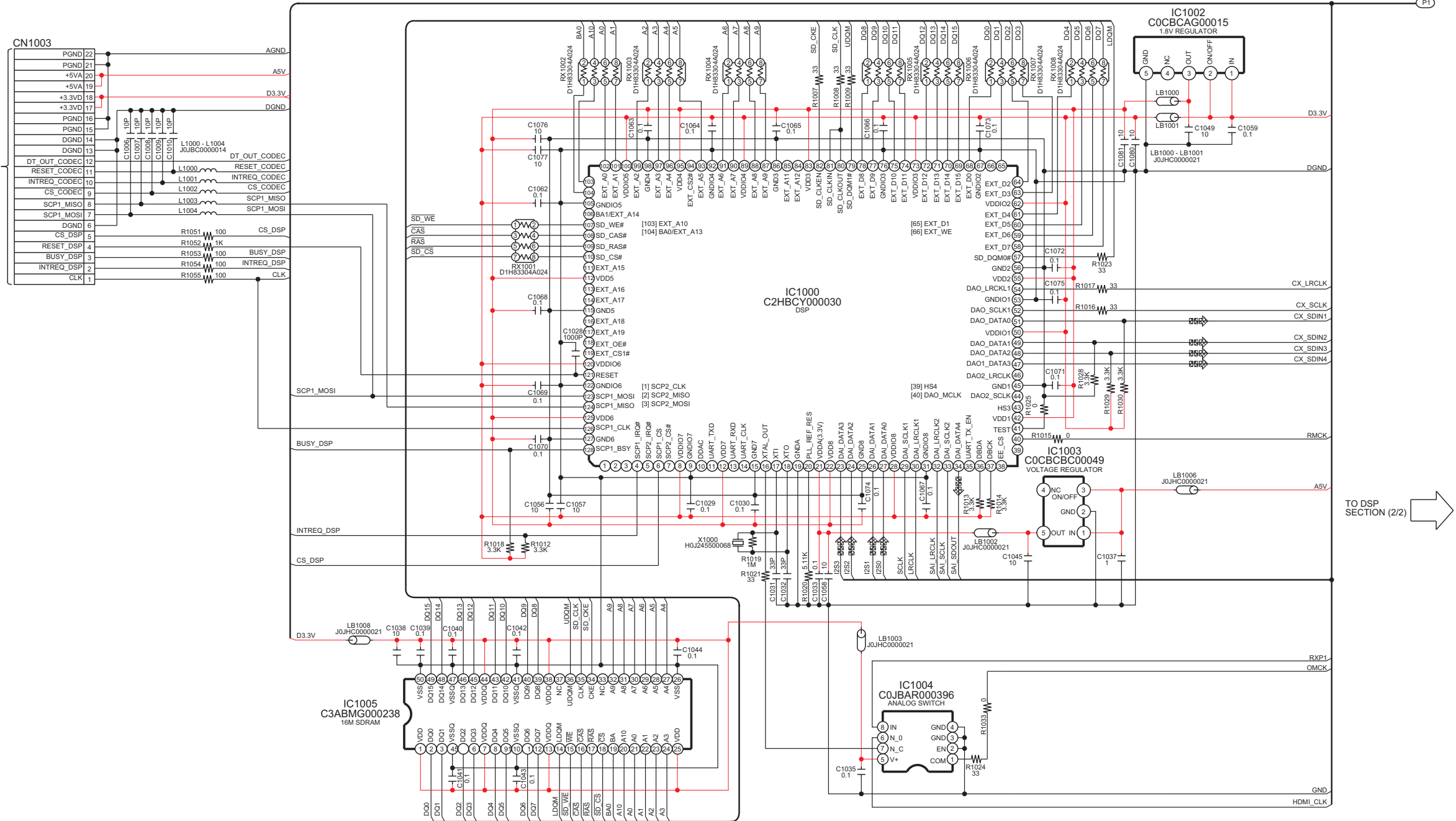
18.1.5. DSP CIRCUIT (1/2)


SCHEMATIC DIAGRAM - 5

B DSP CIRCUIT

— : +B SIGNAL LINE  : OPTICAL AUDIO INPUT SIGNAL LINE  : AUDIO OUTPUT SIGNAL LINE

TO **C**
MAIN CIRCUIT
(CN4103)
IN SCHEMATIC
DIAGRAM - 7



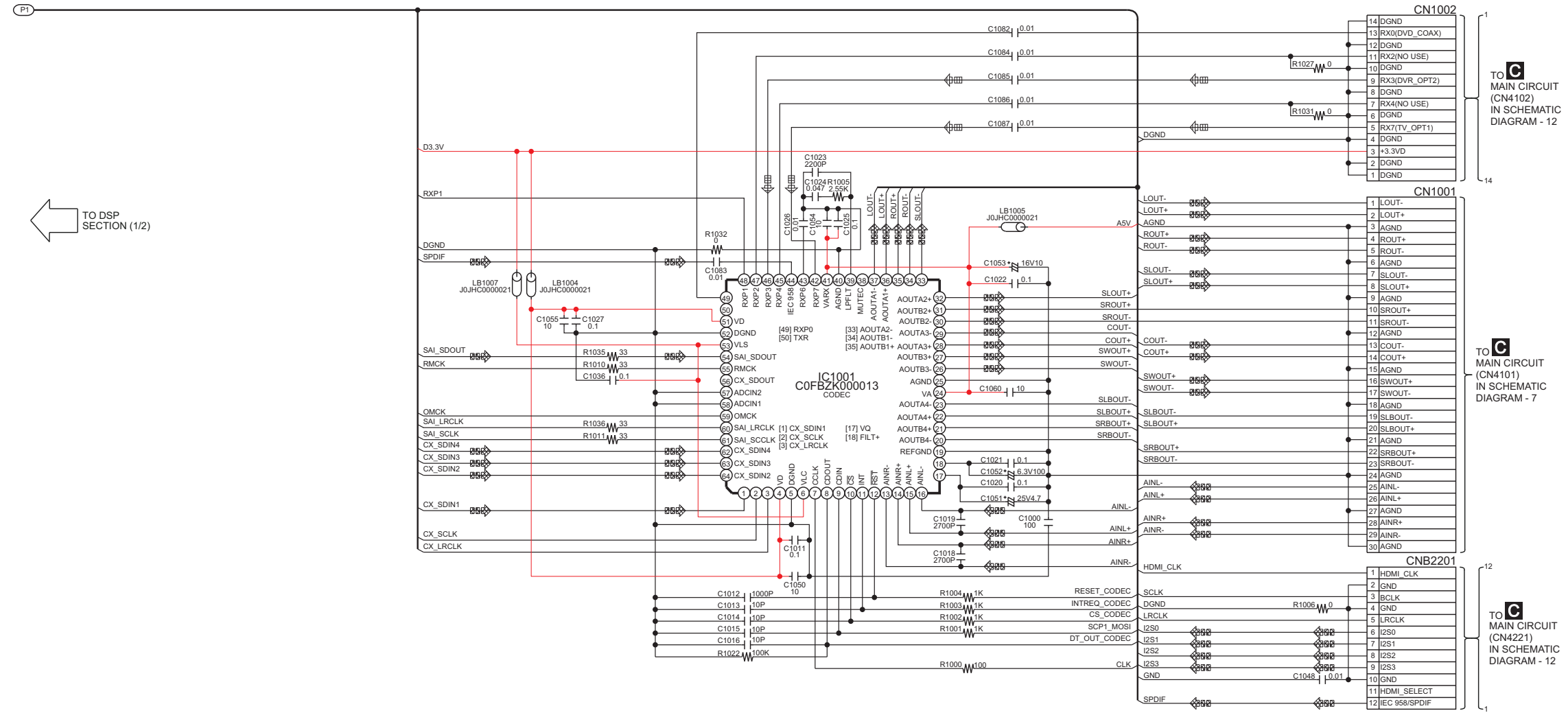
TO DSP SECTION (2/2) 

18.1.6. DSP CIRCUIT (2/2)

SCHEMATIC DIAGRAM - 6

B DSP CIRCUIT

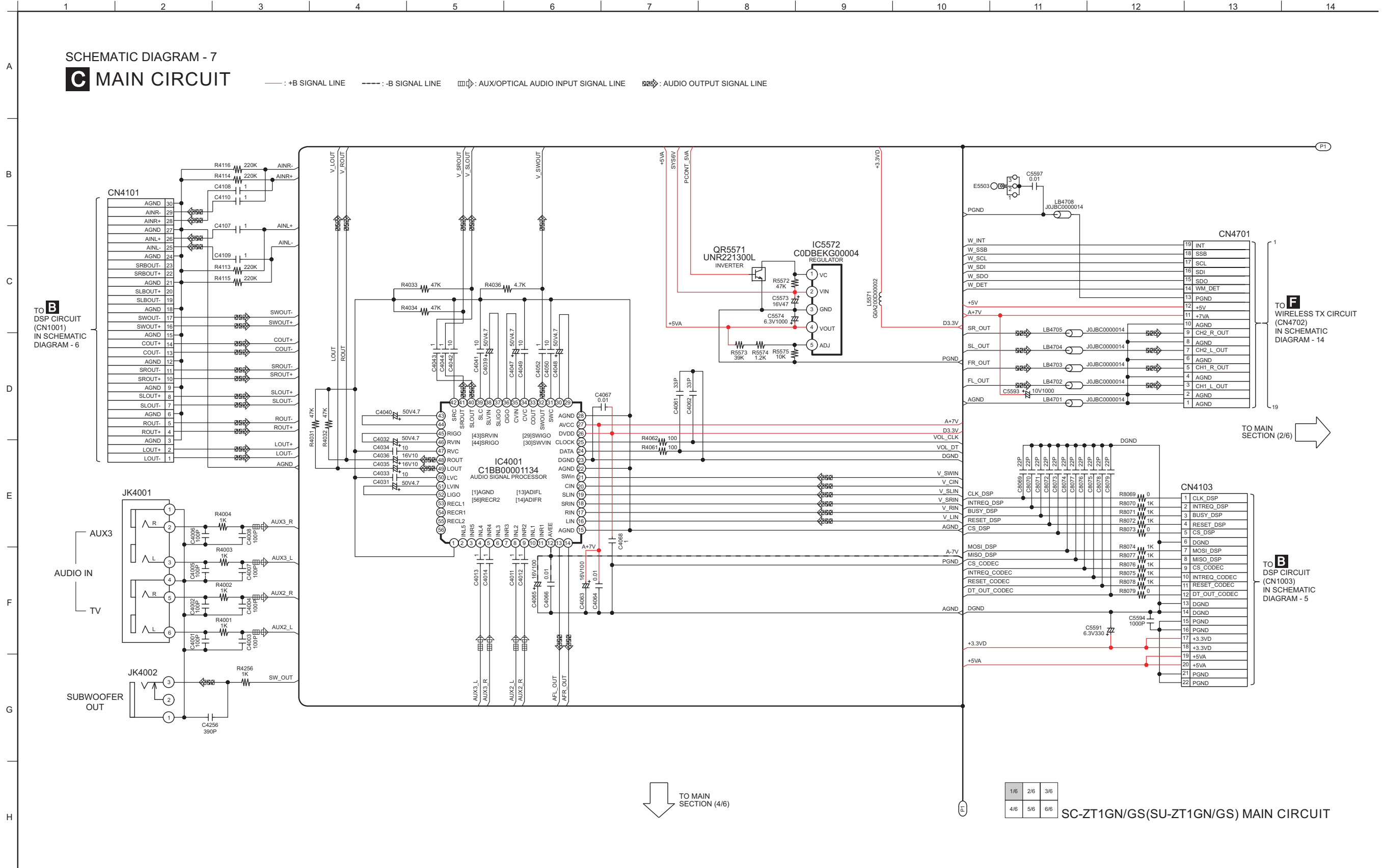
— : +B SIGNAL LINE : OPTICAL AUDIO INPUT SIGNAL LINE : AUDIO OUTPUT SIGNAL LINE



18.1.7. MAIN CIRCUIT (1/6)

SCHEMATIC DIAGRAM - 7
C MAIN CIRCUIT

— : +B SIGNAL LINE - - - : -B SIGNAL LINE □ : AUX/OPTICAL AUDIO INPUT SIGNAL LINE ⊗ : AUDIO OUTPUT SIGNAL LINE



1/6	2/6	3/6
4/6	5/6	6/6

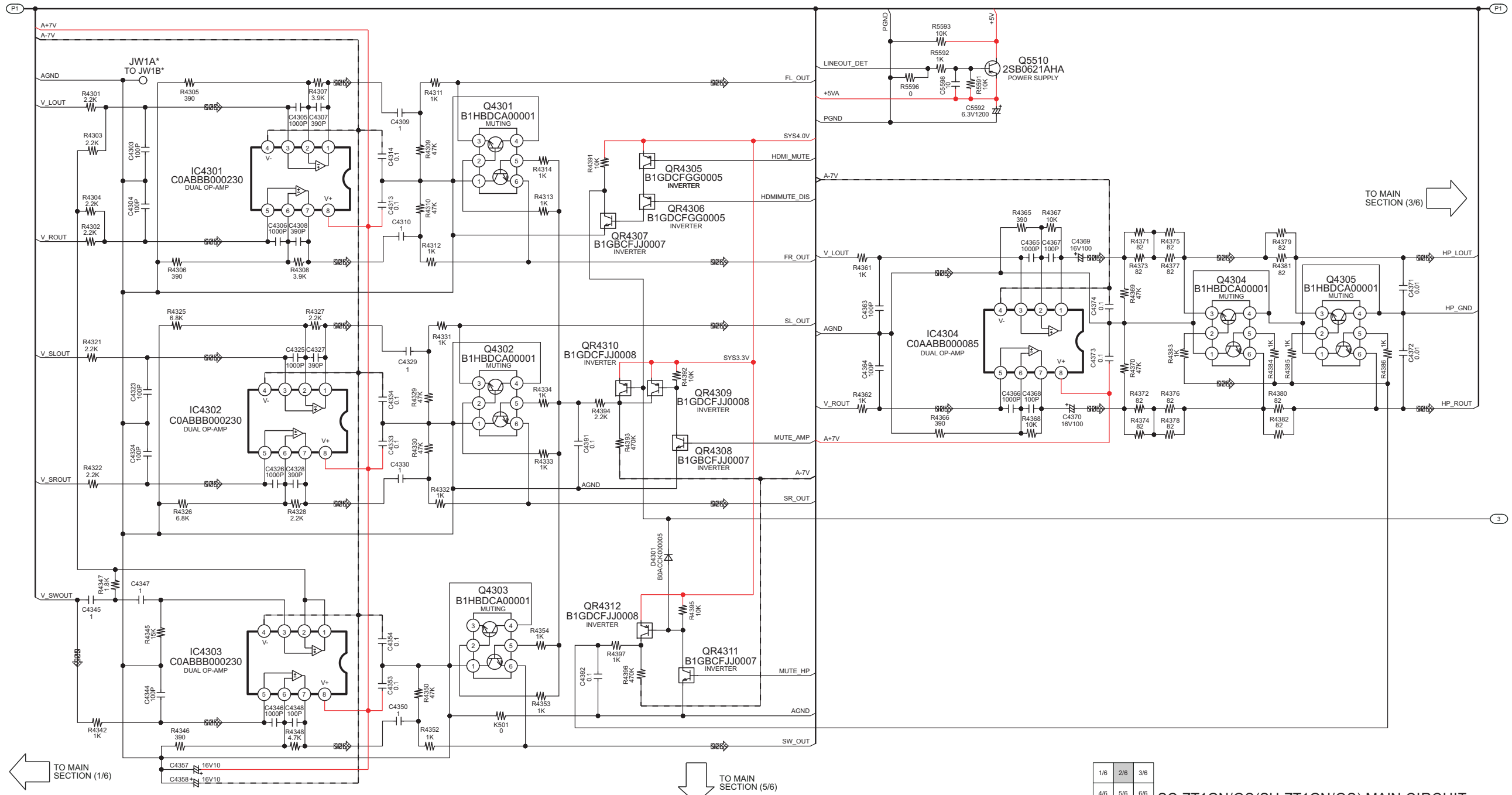
SC-ZT1GN/GS(SU-ZT1GN/GS) MAIN CIRCUIT

18.1.8. MAIN CIRCUIT (2/6)

SCHEMATIC DIAGRAM - 8

C MAIN CIRCUIT

— : +B SIGNAL LINE - - - : -B SIGNAL LINE □ : AUX/OPTICAL AUDIO INPUT SIGNAL LINE ⊞ : AUDIO OUTPUT SIGNAL LINE



1/6	2/6	3/6
4/6	5/6	6/6

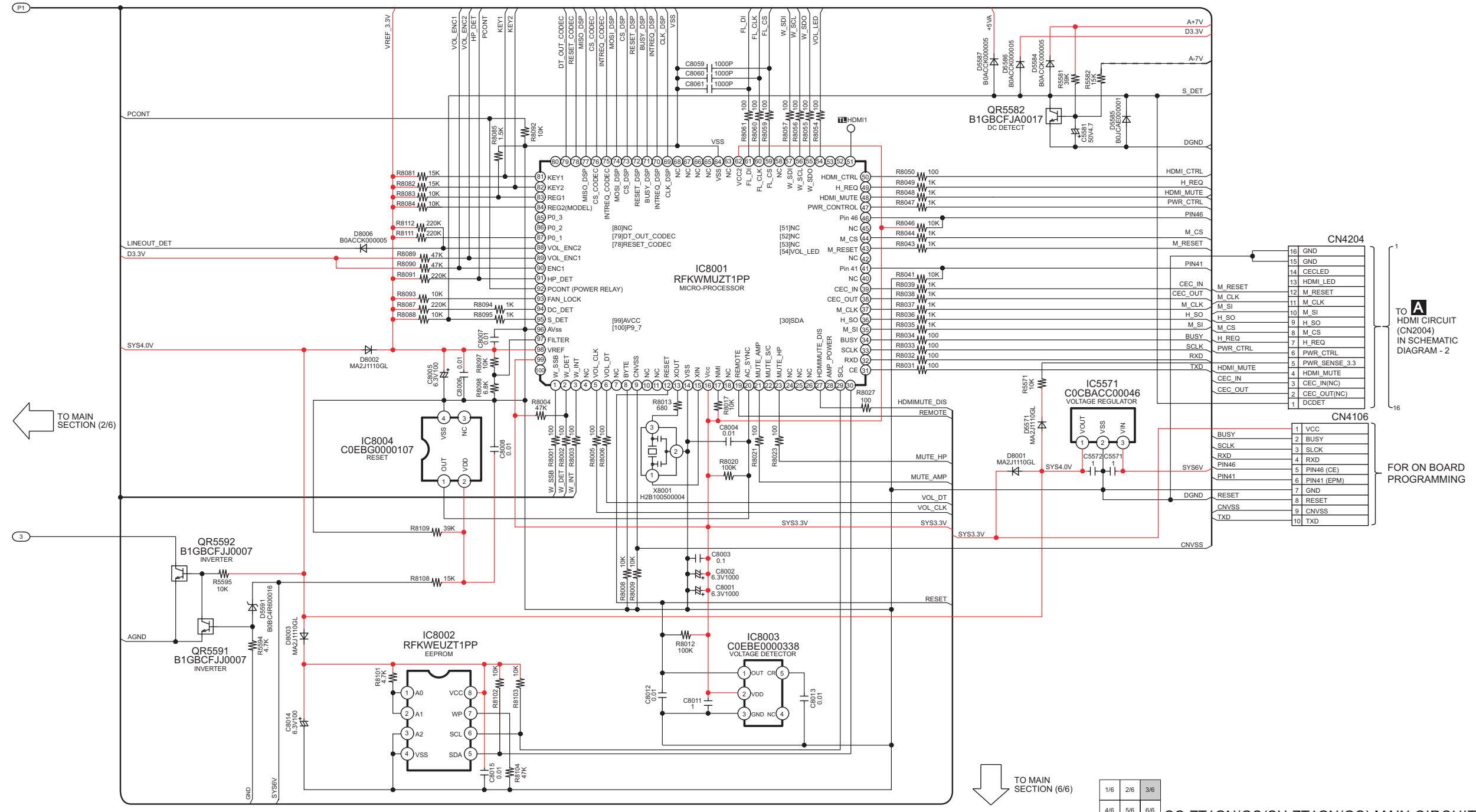
SC-ZT1GN/GS(SU-ZT1GN/GS) MAIN CIRCUIT

18.1.9. MAIN CIRCUIT (3/6)

SCHEMATIC DIAGRAM - 9

C MAIN CIRCUIT

—+B SIGNAL LINE —-B SIGNAL LINE : AUX/OPTICAL AUDIO INPUT SIGNAL LINE : AUDIO OUTPUT SIGNAL LINE

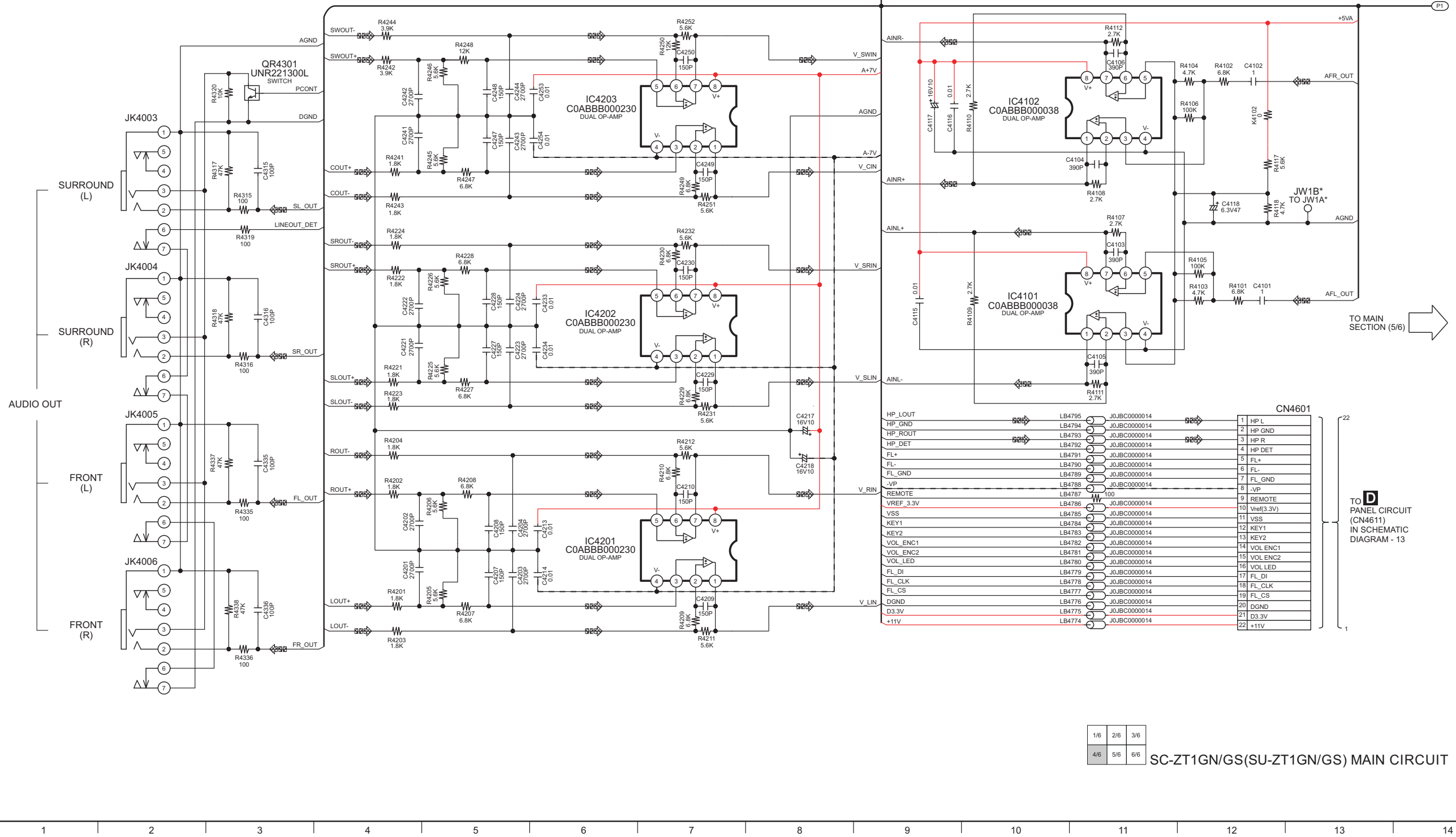


18.1.10. MAIN CIRCUIT (4/6)

SCHEMATIC DIAGRAM - 10
C MAIN CIRCUIT

— : +B SIGNAL LINE - - - : -B SIGNAL LINE □ : AUX/OPTICAL AUDIO INPUT SIGNAL LINE ⊞ : AUDIO OUTPUT SIGNAL LINE

↑ TO MAIN SECTION (1/6)



→ TO MAIN SECTION (5/6)

TO **D** PANEL CIRCUIT (CN4611) IN SCHEMATIC DIAGRAM - 13

1/6	2/6	3/6
4/6	5/6	6/6

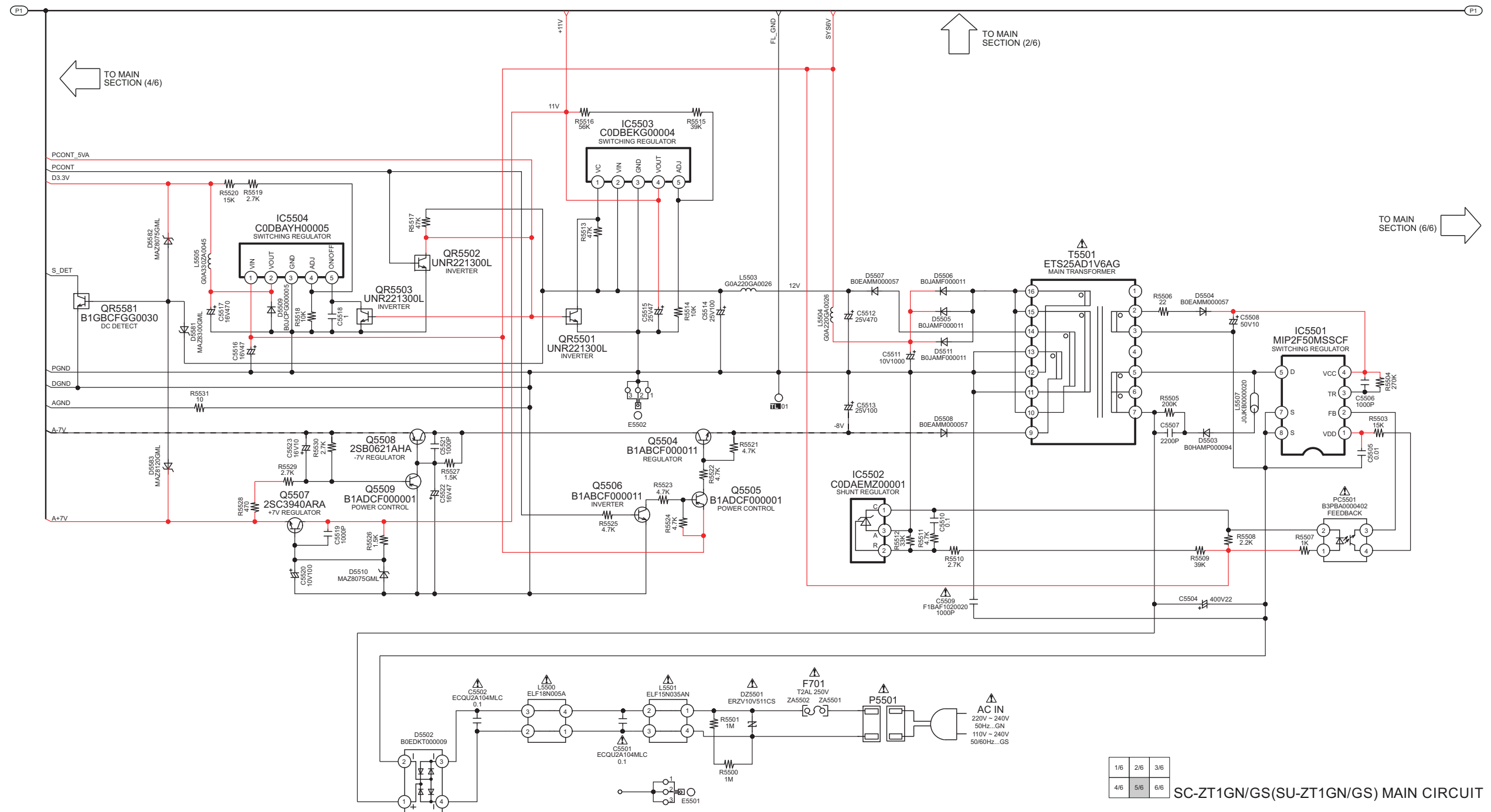
SC-ZT1GN/GS(SU-ZT1GN/GS) MAIN CIRCUIT

18.1.11. MAIN CIRCUIT (5/6)

SCHEMATIC DIAGRAM - 11

C MAIN CIRCUIT

— : +B SIGNAL LINE - - - : -B SIGNAL LINE □▷◁ : AUX/OPTICAL AUDIO INPUT SIGNAL LINE ◁▷□ : AUDIO OUTPUT SIGNAL LINE



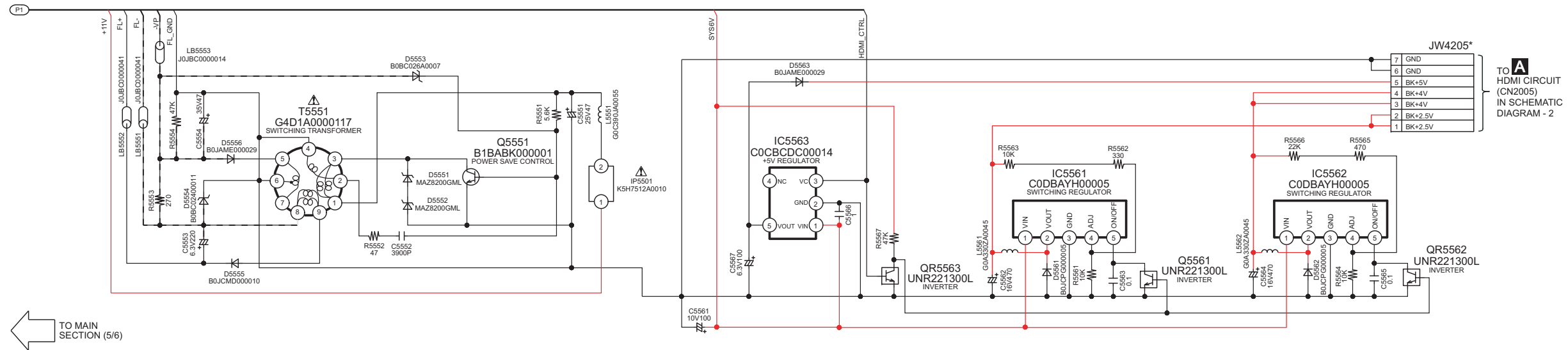
SC-ZT1GN/GS(SU-ZT1GN/GS) MAIN CIRCUIT

18.1.12. MAIN CIRCUIT (6/6)

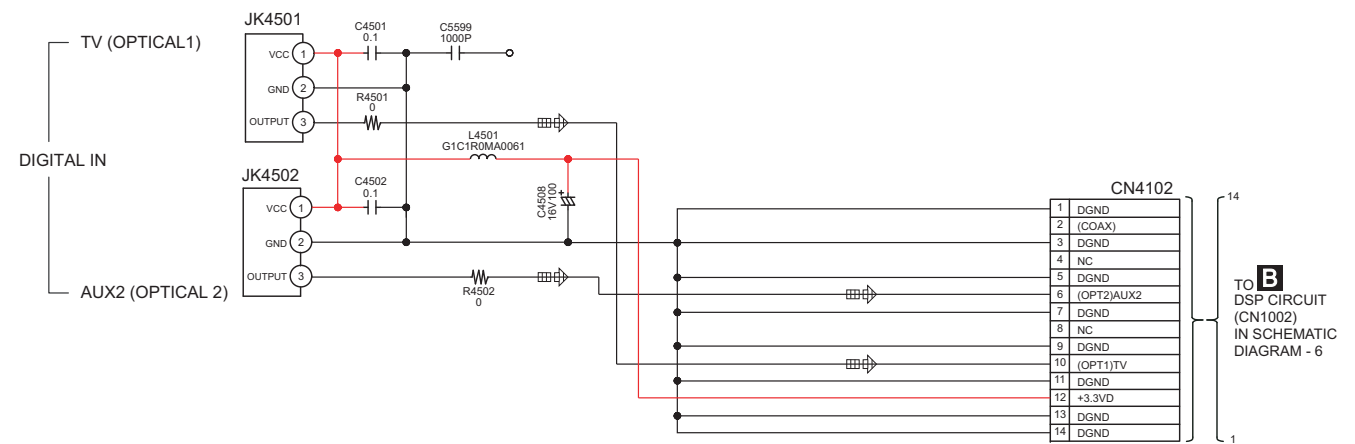
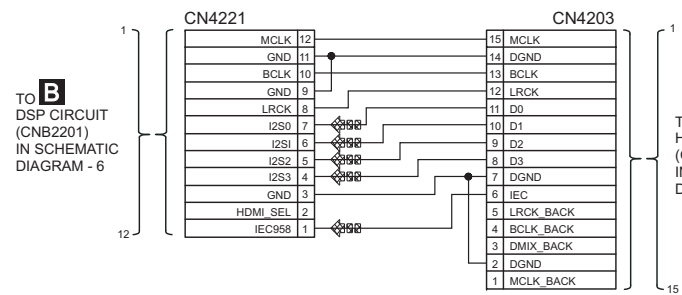
SCHEMATIC DIAGRAM - 12
C MAIN CIRCUIT

— : +B SIGNAL LINE - - - : -B SIGNAL LINE : AUX/OPTICAL AUDIO INPUT SIGNAL LINE : AUDIO OUTPUT SIGNAL LINE

↑ TO MAIN SECTION (3/6)



← TO MAIN SECTION (5/6)



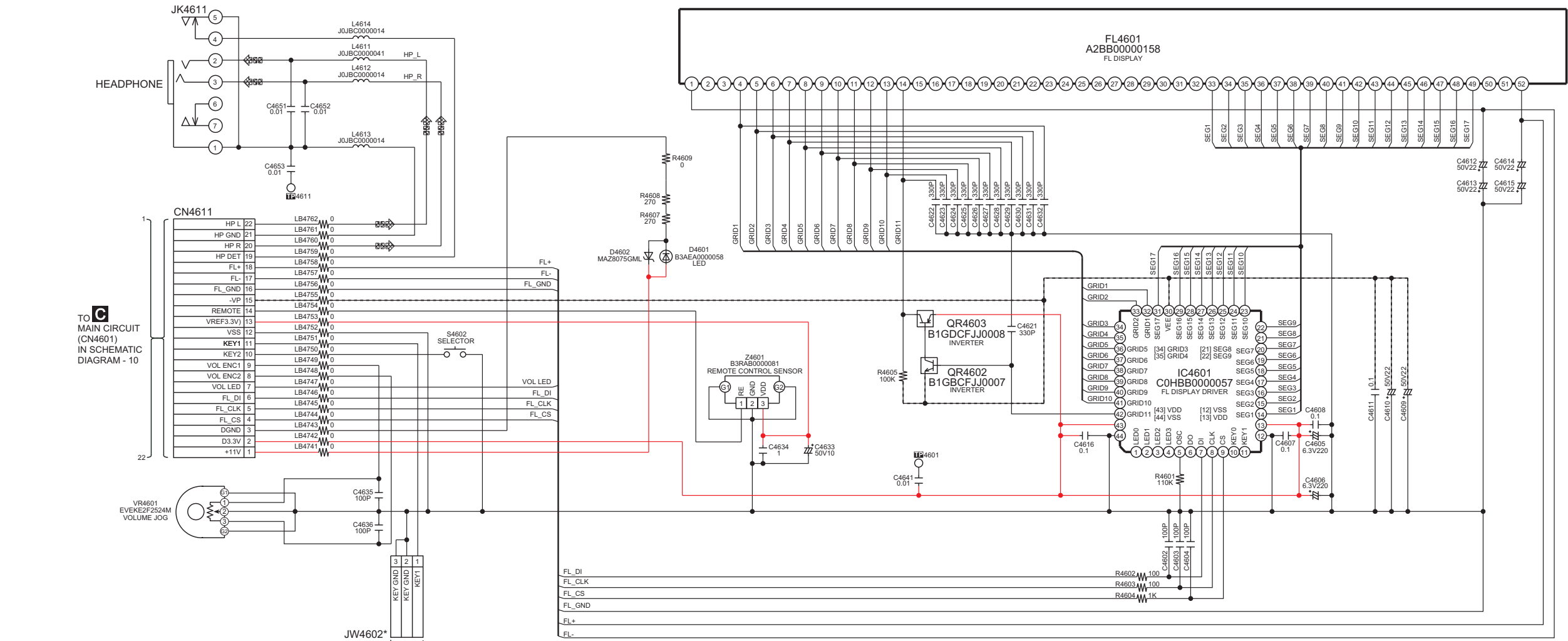
1/6 2/6 3/6
4/6 5/6 6/6 SC-ZT1GN/GS(SU-ZT1GN/GS) MAIN CIRCUIT

18.1.13. PANEL / POWER SW CIRCUIT

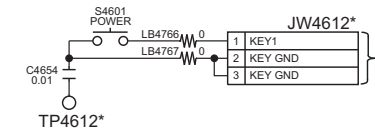
SCHEMATIC DIAGRAM - 13

D PANEL CIRCUIT

— : +B SIGNAL LINE - - - : -B SIGNAL LINE : AUDIO OUTPUT SIGNAL LINE

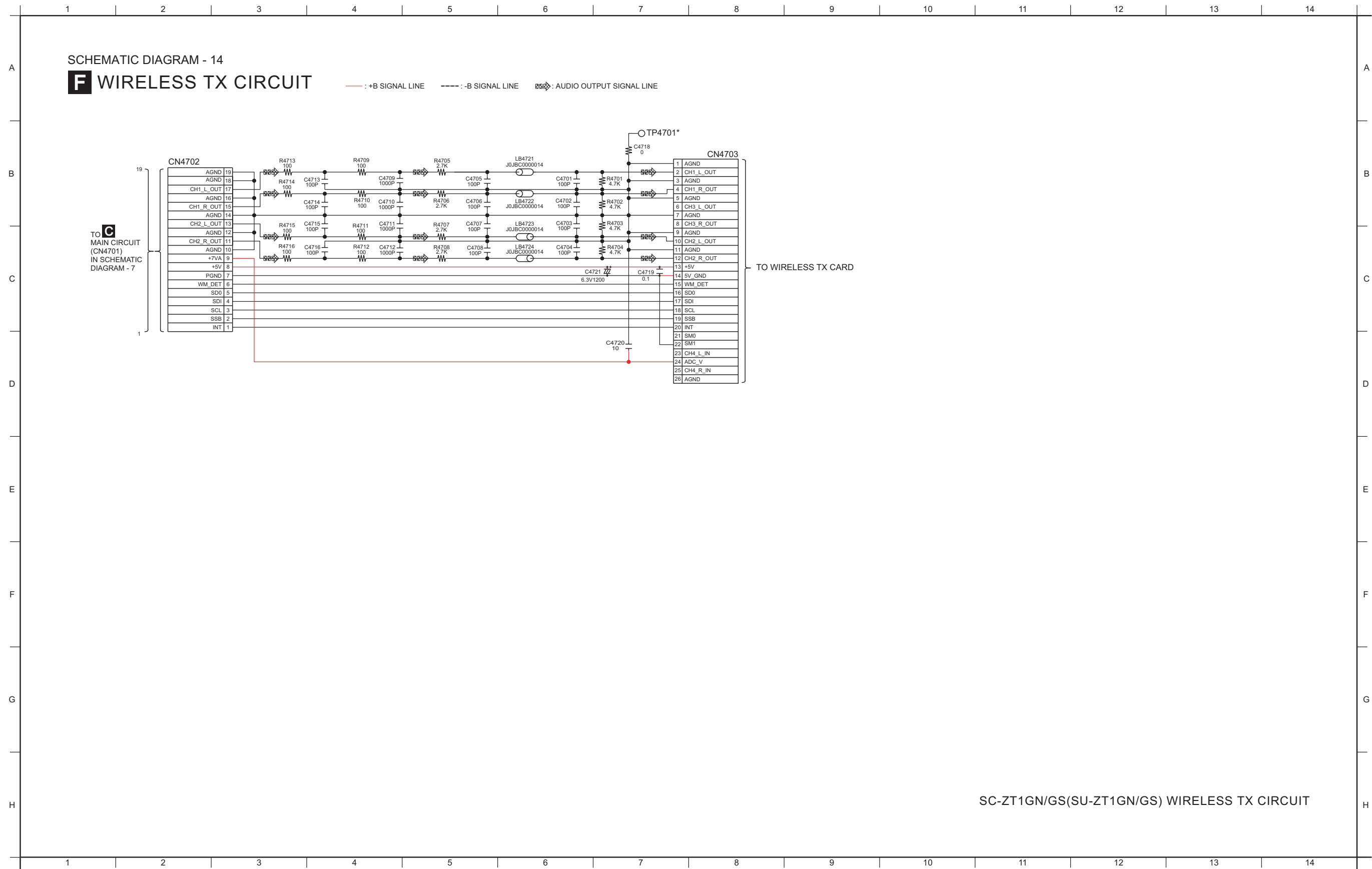


E POWER SW CIRCUIT



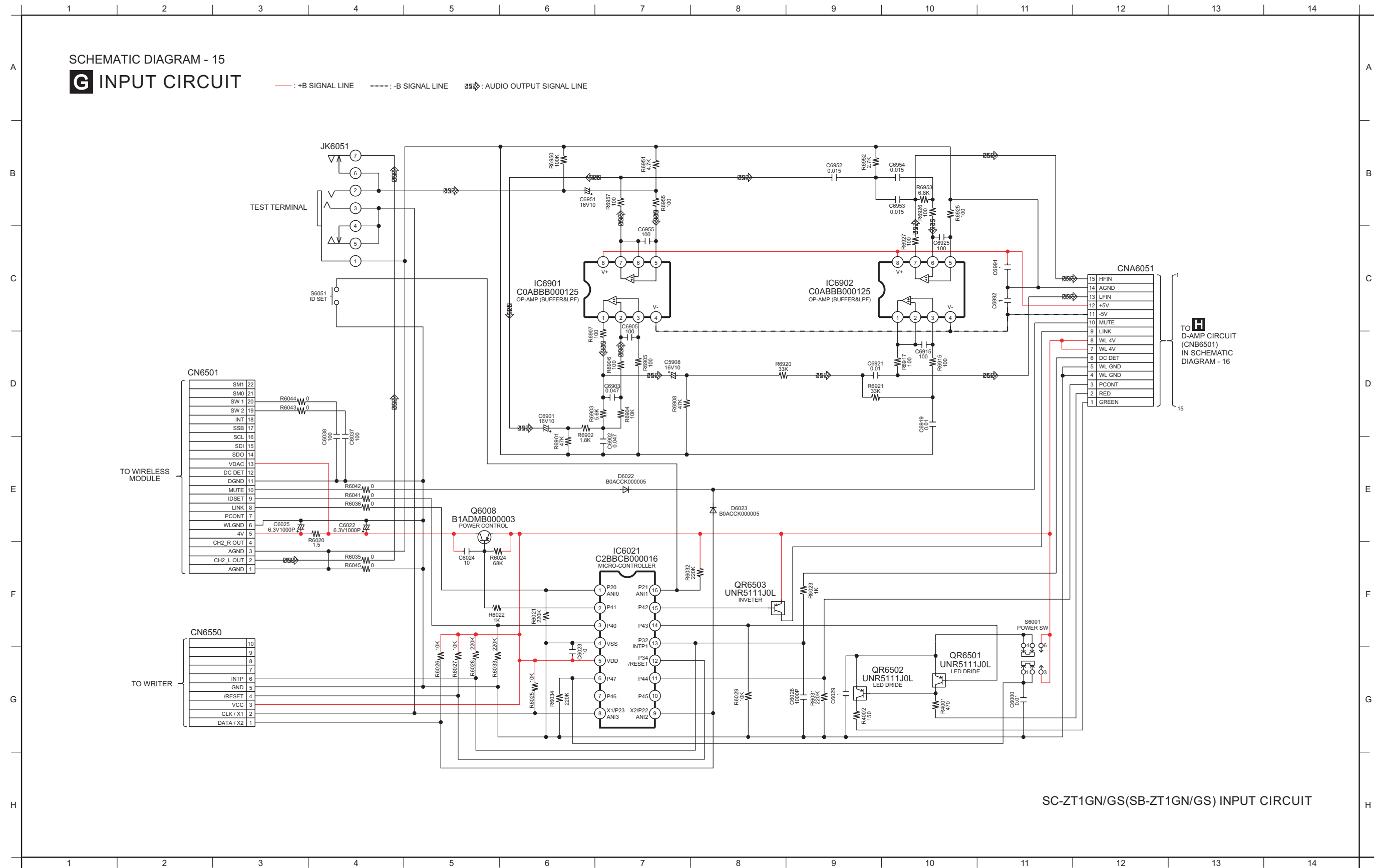
SC-ZT1GN/GS(SU-ZT1GN/GS) PANEL / POWER SW CIRCUIT

18.1.14. WIRELESS TX CIRCUIT

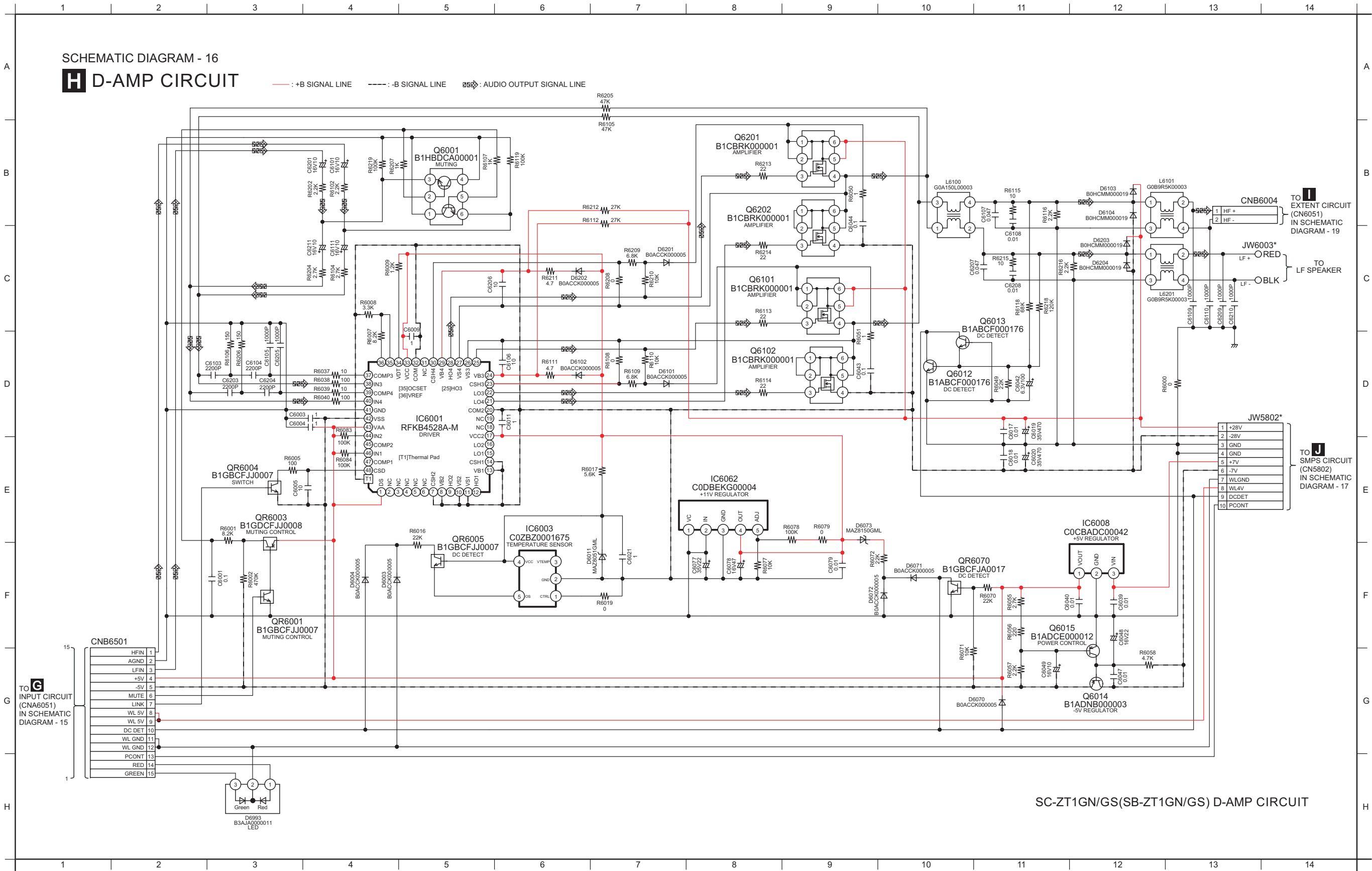


18.2. Speaker Unit (SB-ZT1)

18.2.1. INPUT CIRCUIT



18.2.2. D-AMP CIRCUIT

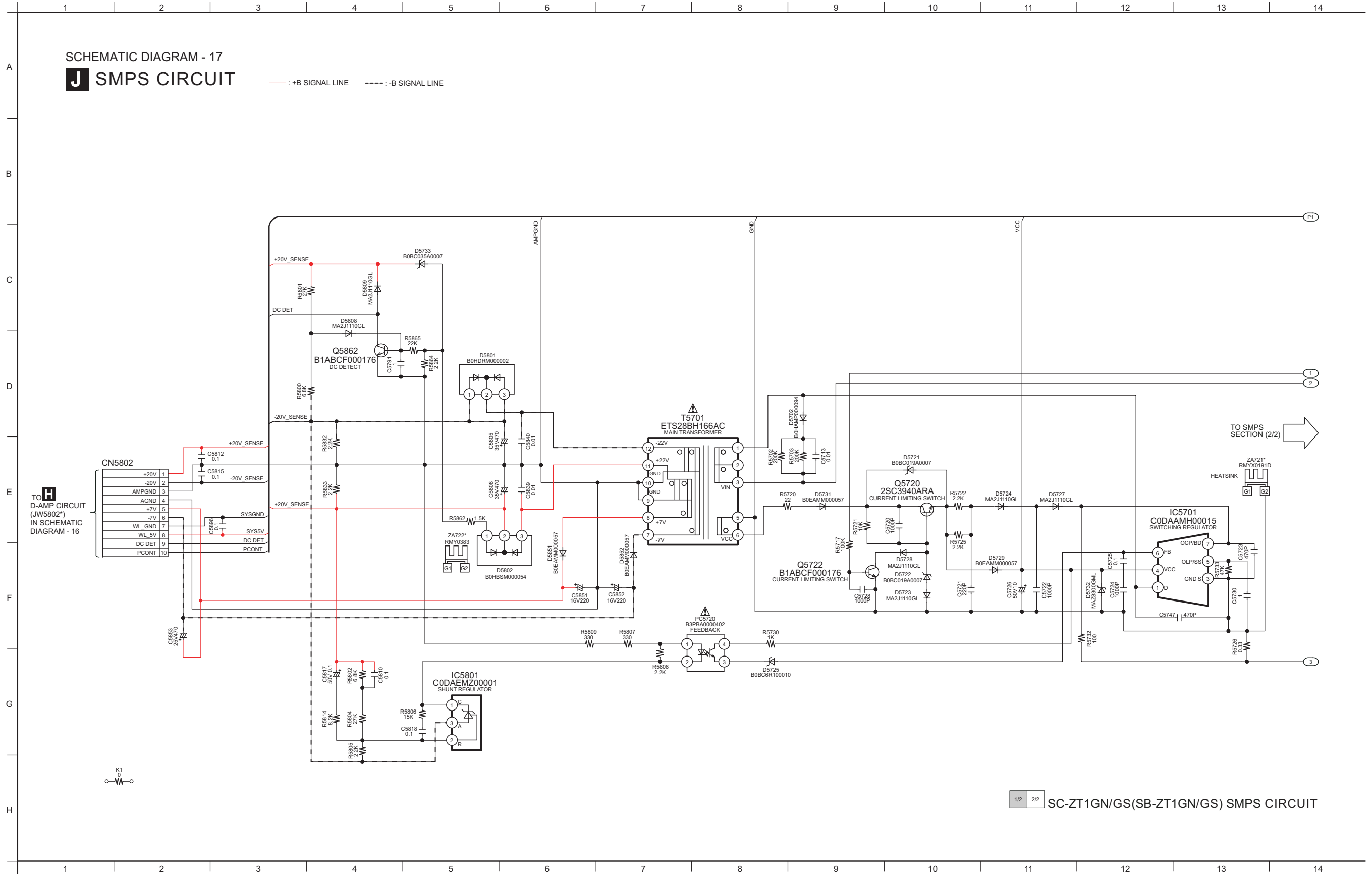


18.2.3. SMPS CIRCUIT (1/2)

SCHEMATIC DIAGRAM - 17

J SMPS CIRCUIT

— : +B SIGNAL LINE - - - : -B SIGNAL LINE

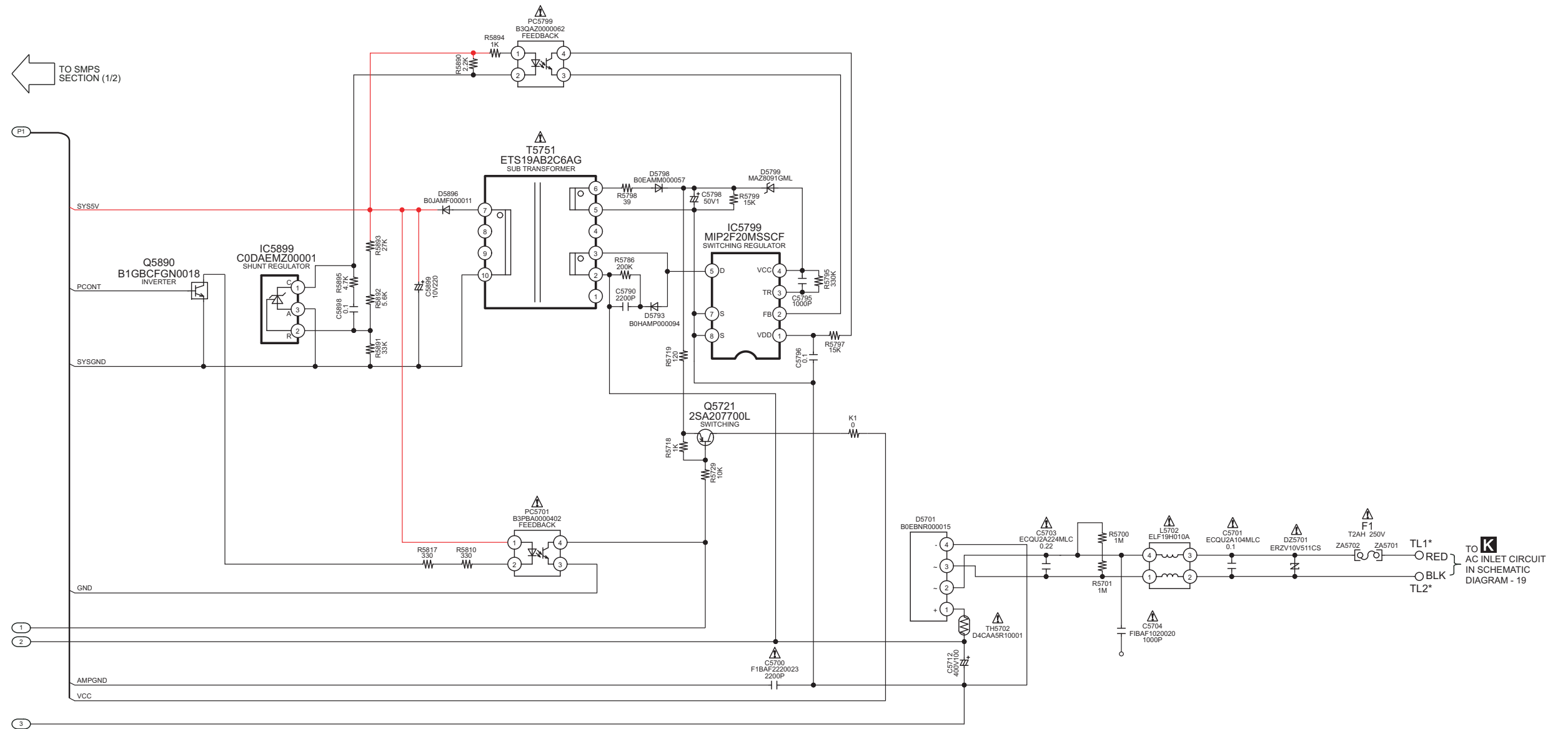


18.2.4. SMPS CIRCUIT (2/2)

SCHEMATIC DIAGRAM - 18

J SMPS CIRCUIT

— : +B SIGNAL LINE - - - : -B SIGNAL LINE

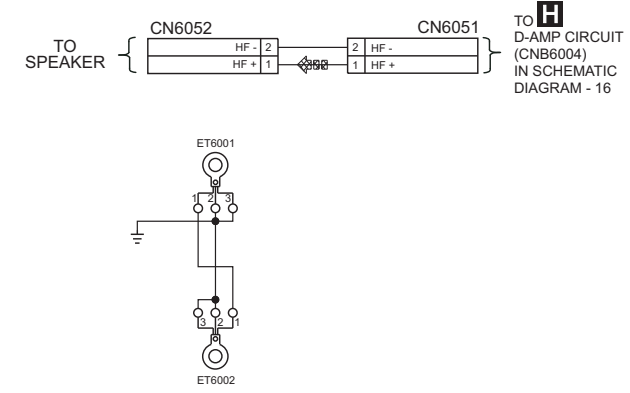


1/2 2/2 SC-ZT1GN/GS(SB-ZT1GN/GS) SMPS CIRCUIT

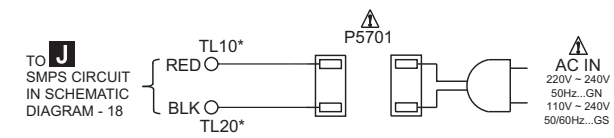
18.2.5. EXTENT / AC INLET CIRCUIT

SCHEMATIC DIAGRAM - 19

I EXTENT CIRCUIT



K AC INLET CIRCUIT



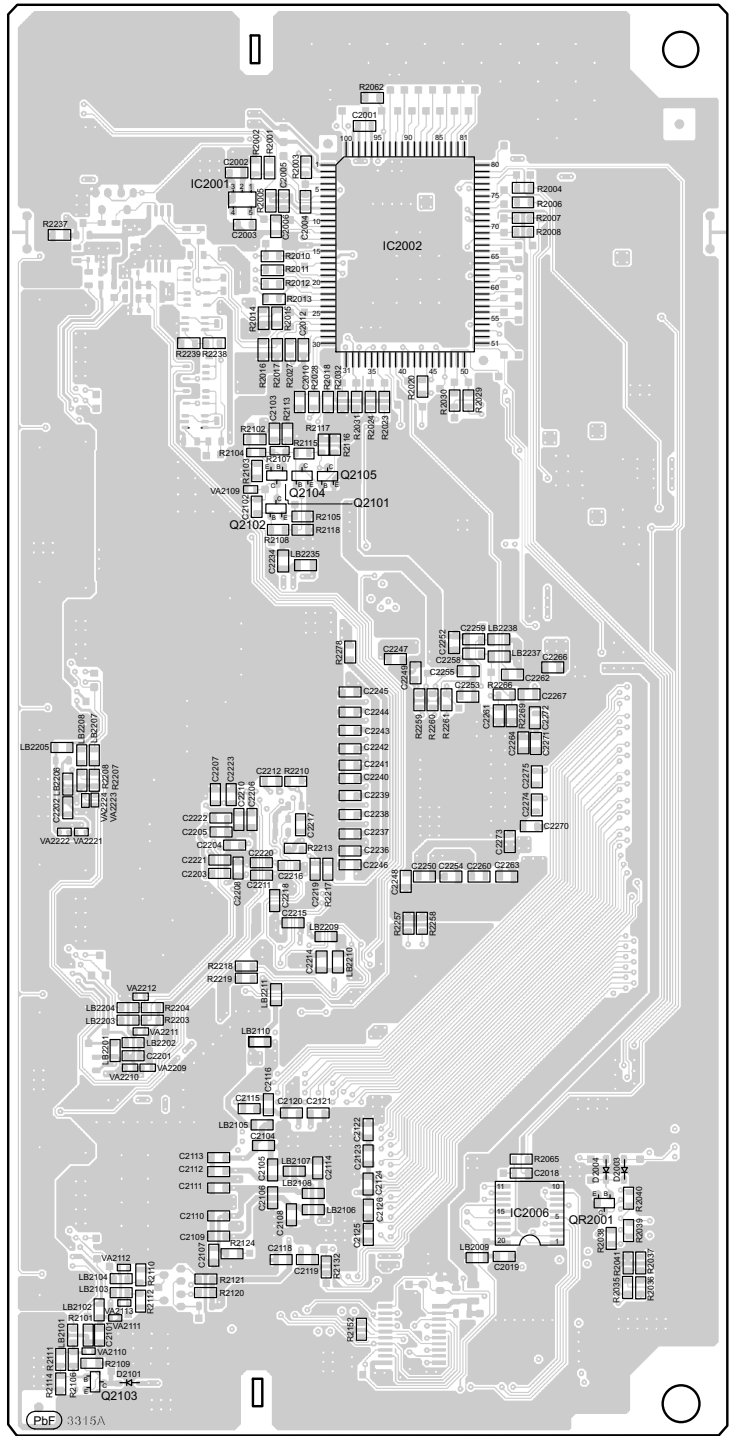
SC-ZT1GN/GS(SB-ZT1GN/GS) EXTENT / AC INLET CIRCUIT

19 Printed Circuit Board

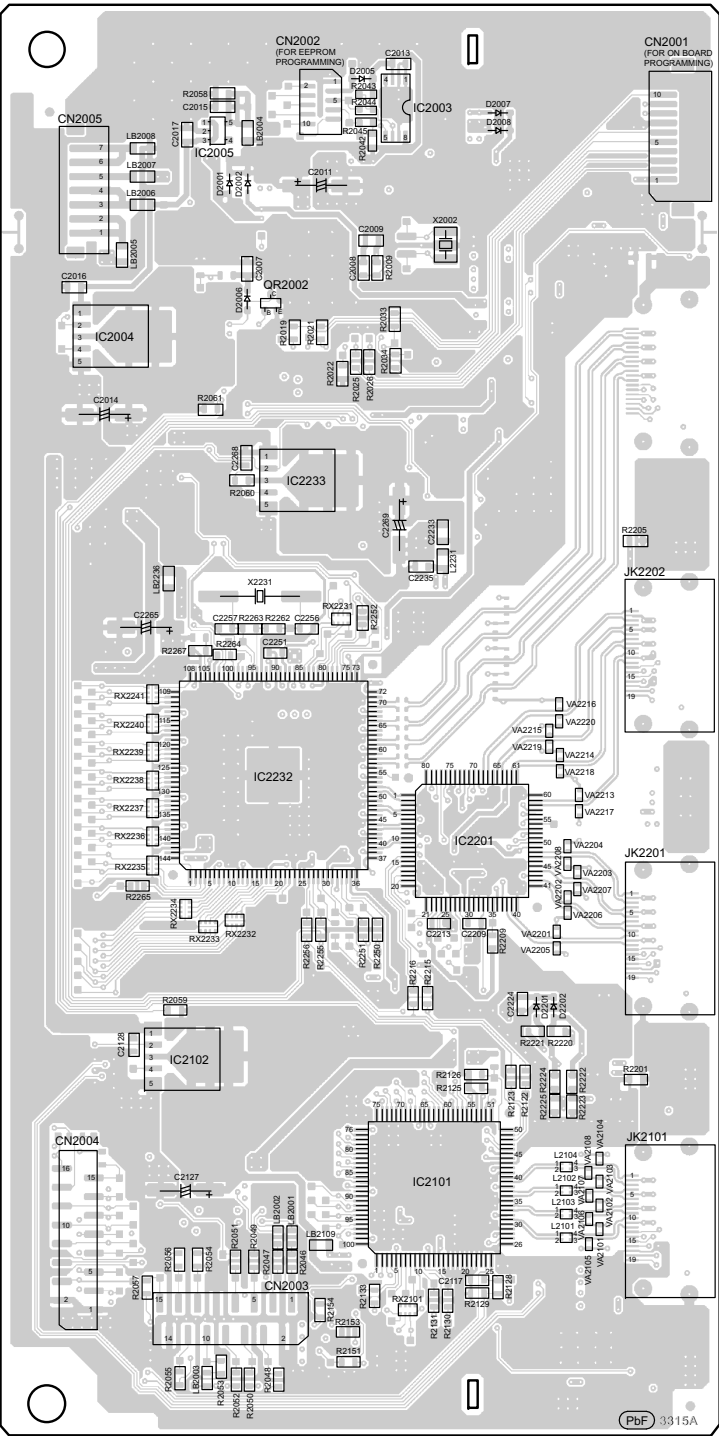
19.1. Main Unit (SU-ZT1)

19.1.1. HDMI P.C.B.

A HDMI P.C.B. (REP4392H-T)



(SIDE A)



(SIDE B)

HDMI (AUX 1)

HDMI (BD/DVD IN)

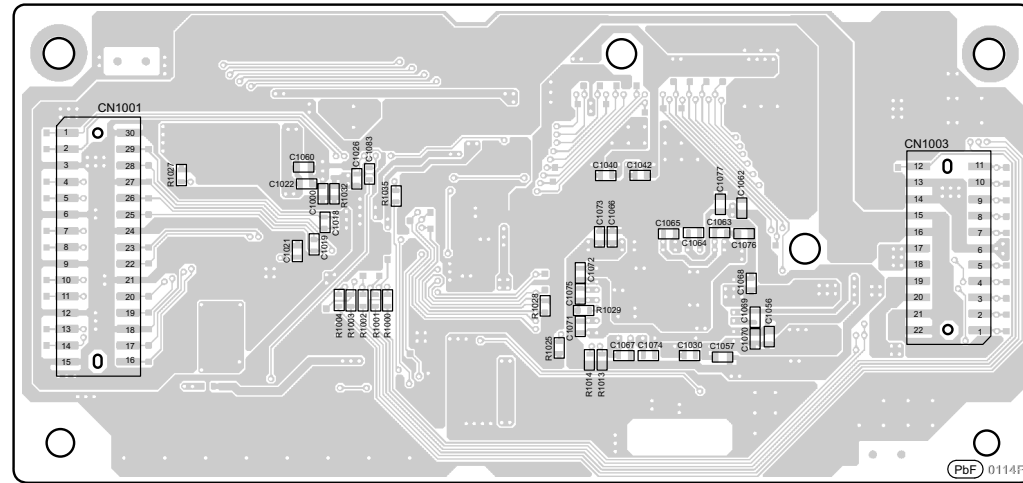
HDMI (TV OUT)

SC-ZT1GN/GS(SU-ZT1GN/GS)
HDMI P.C.B.

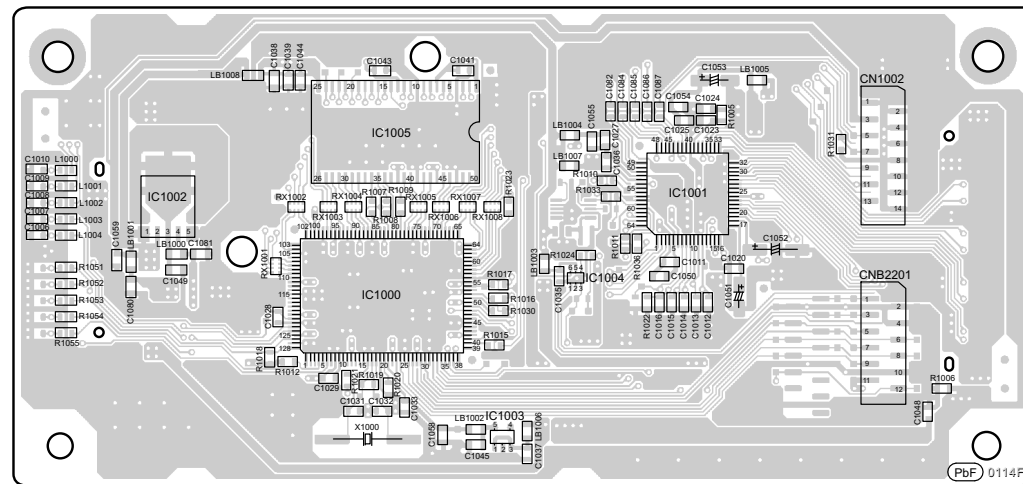
19.1.2. DSP P.C.B.

B DSP P.C.B. (REPV0114F-T)

H
G
F
E
D
C
B
A



(SIDE A)



(SIDE B)

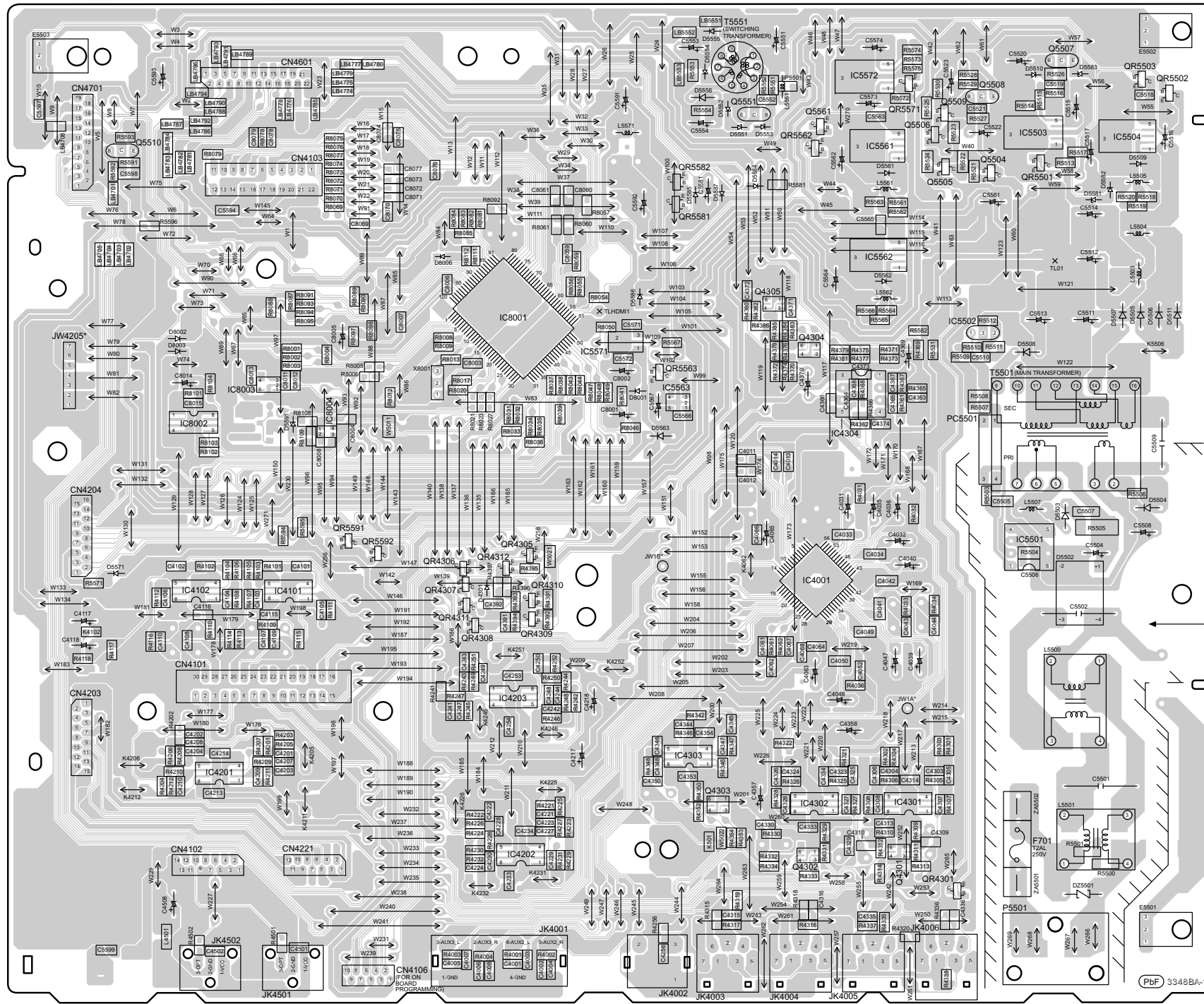
1 2 3 4 5 6 7 8 9 10 11 12 13

SC-ZT1GN/GS(SU-ZT1GN/GS)
DSP P.C.B.

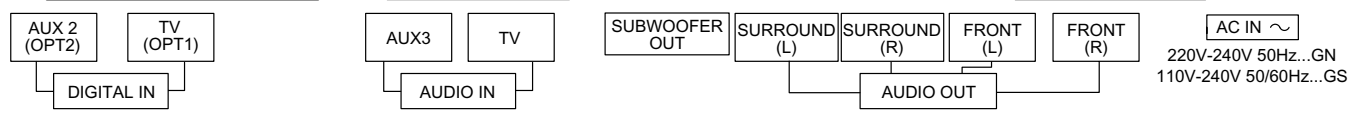
19.1.3. MAIN P.C.B.

C MAIN P.C.B. (REP4526C)

H
G
F
E
D
C
B
A



CAUTION
RISK OF ELECTRIC SHOCK
AC VOLTAGE LINE.
PLEASE DO NOT TOUCH THIS P.C.B.



NOTE: " * " REF IS FOR INDICATION ONLY.

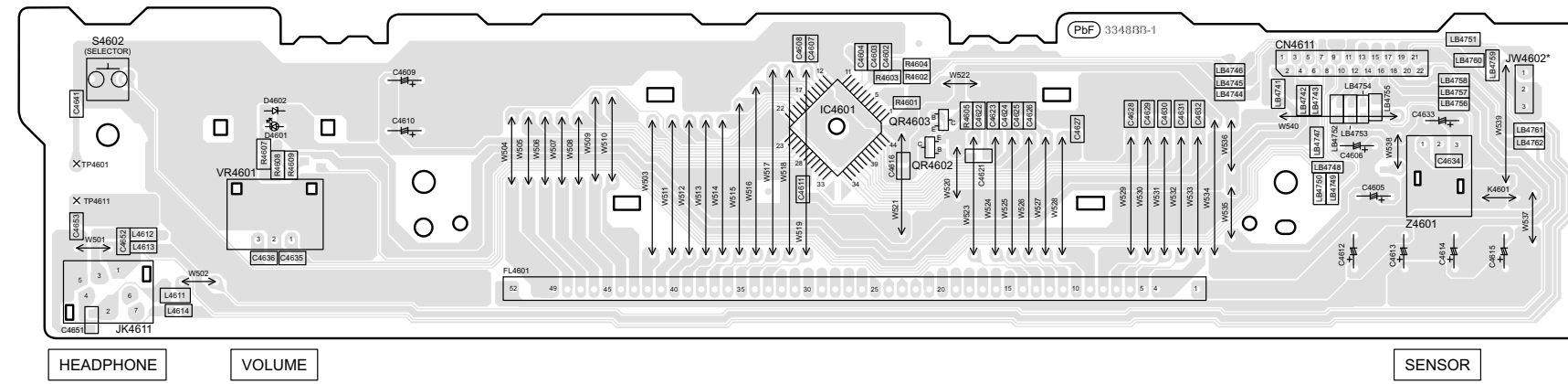
SC-ZT1GN/GS(SU-ZT1GN/GS)
MAIN P.C.B.

1 2 3 4 5 6 7 8 9 10 11 12 13

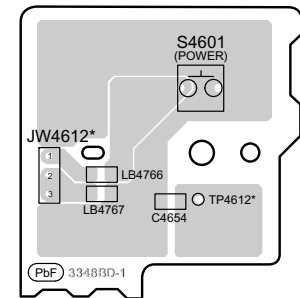
19.1.4. PANEL / POWER SW / WIRELESS TX P.C.B.

H
G
F
E
D
C
B
A

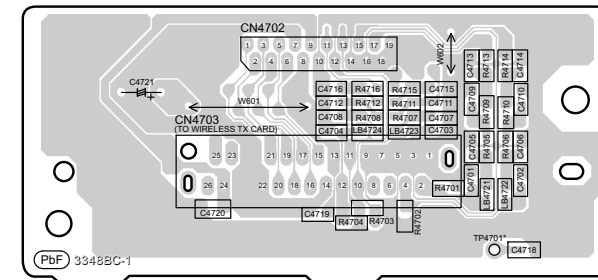
D PANEL P.C.B. (REP4526C)



E POWER SW P.C.B. (REP4526C)



F WIRELESS TX P.C.B. (REP4526C)



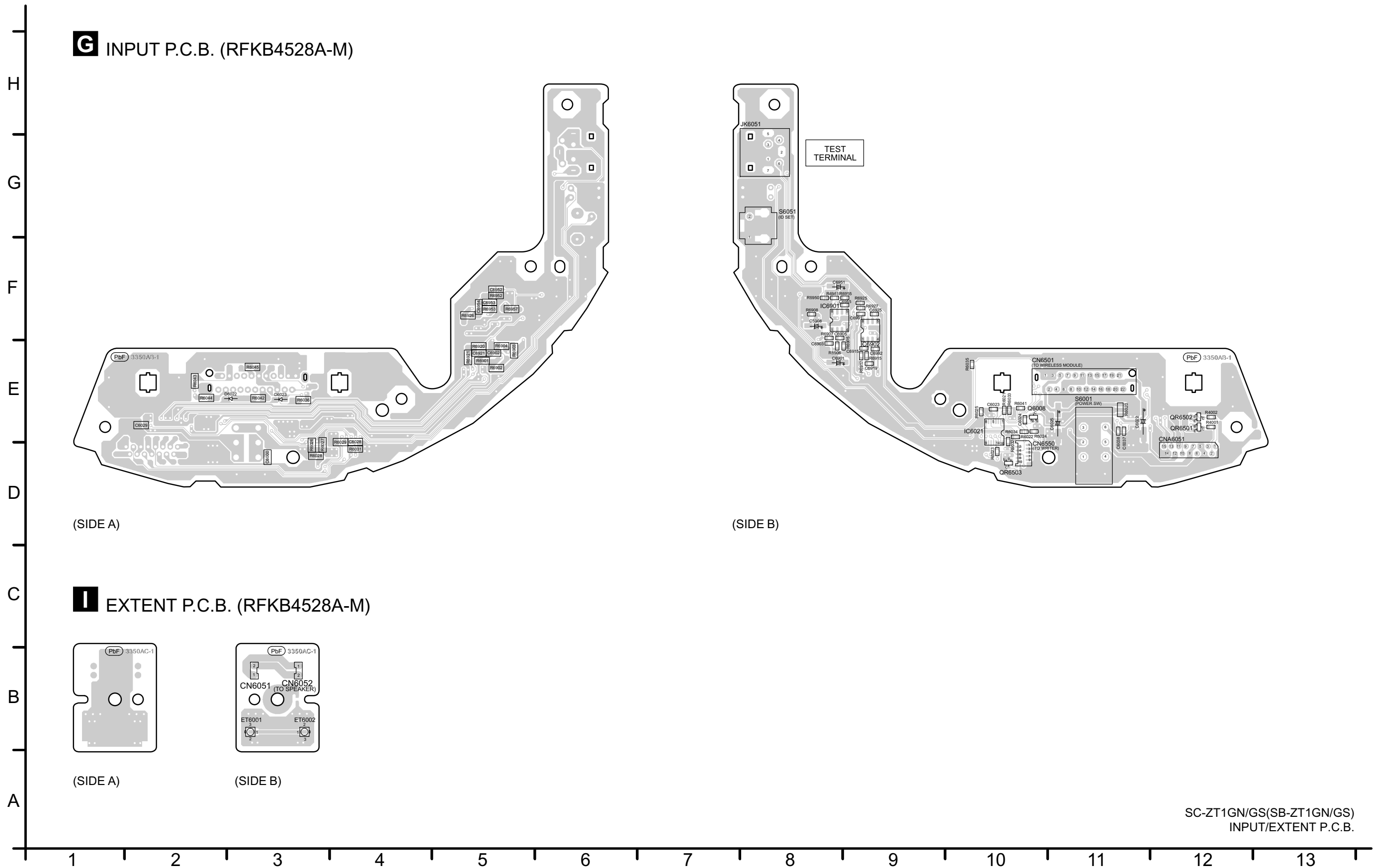
NOTE: " * " REF IS FOR INDICATION ONLY.

SC-ZT1GN/GS(SU-ZT1GN/GS)
PANEL/POWER SW/WIRELESS TX P.C.B.

1 2 3 4 5 6 7 8 9 10 11 12 13

19.2. Speaker Unit (SB-ZT1)

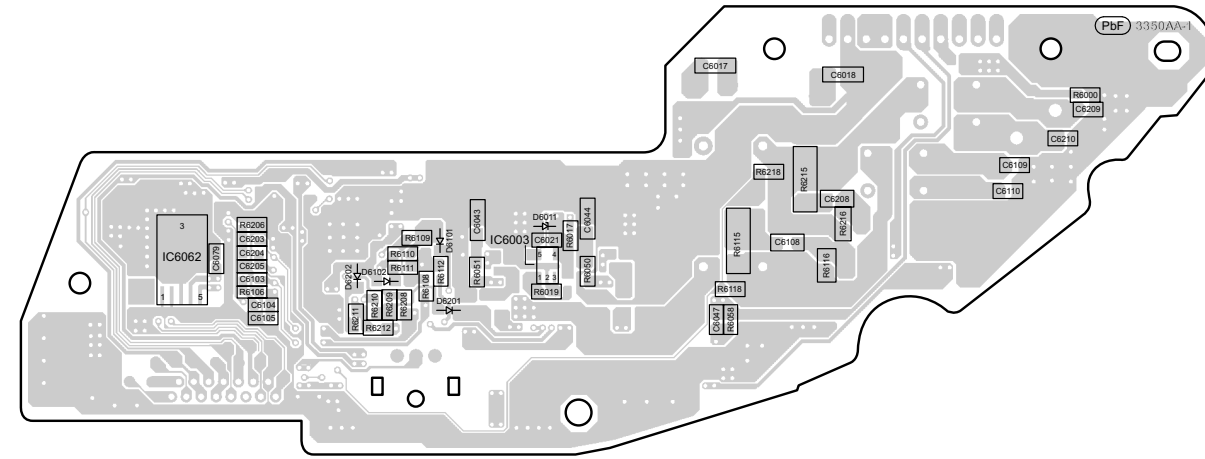
19.2.1. INPUT / EXTENT P.C.B.



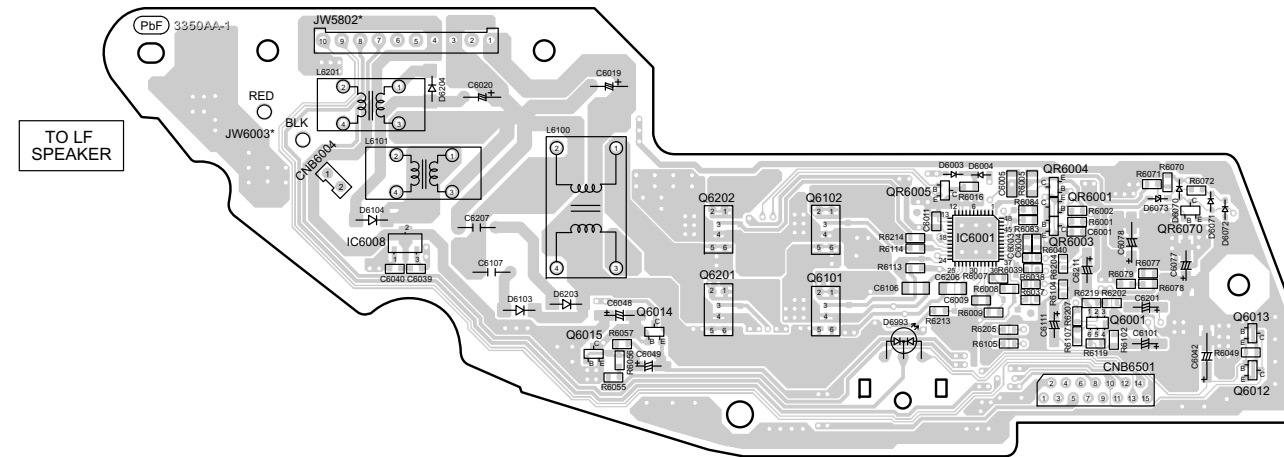
19.2.2. D-AMP P.C.B.

H D-AMP P.C.B. (RFKB4528A-M)

H
G
F
E
D
C
B
A



(SIDE A)



(SIDE B)

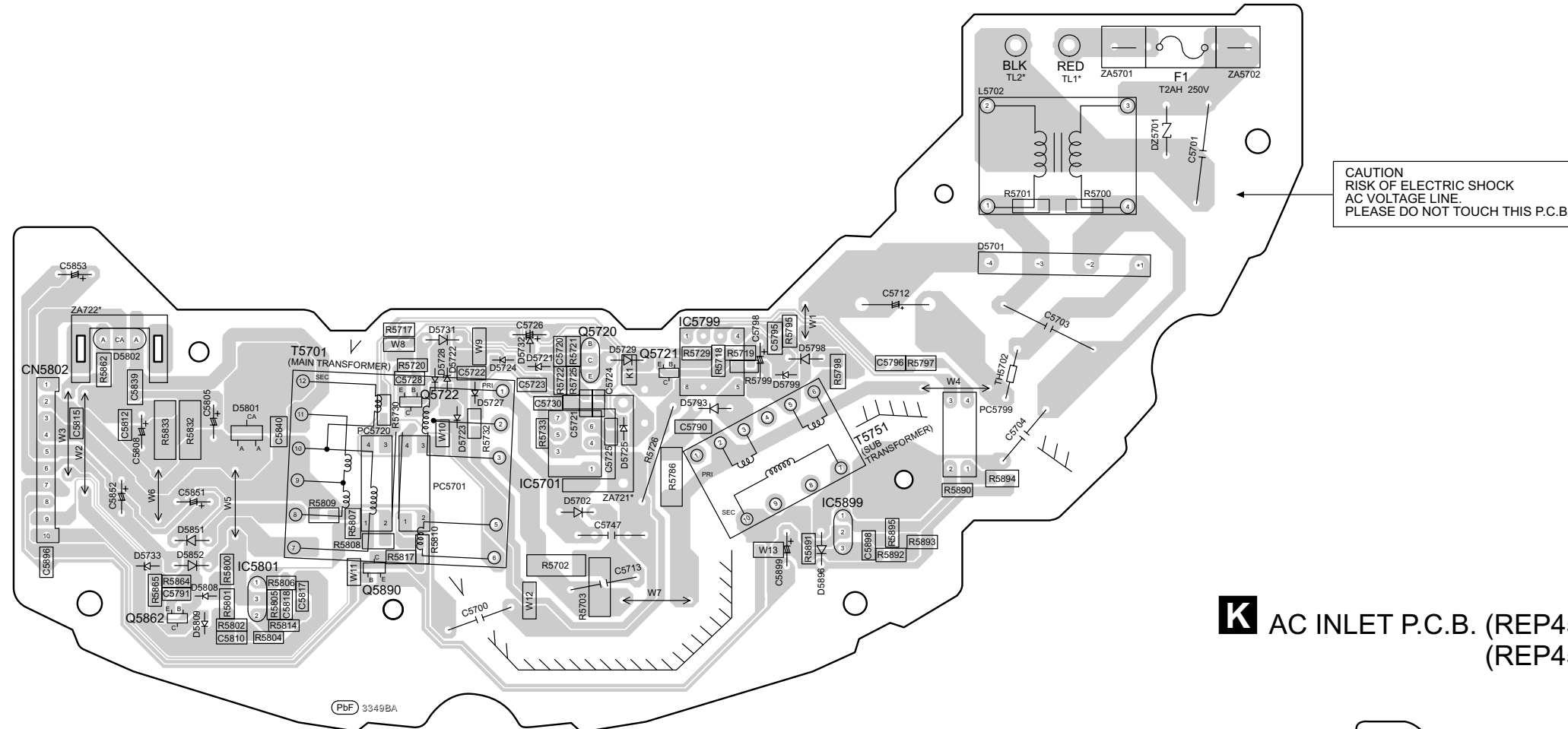
NOTE: " * " REF IS FOR INDICATION ONLY.

SC-ZT1GN/GS(SB-ZT1GN/GS)
D-AMP P.C.B.

1 2 3 4 5 6 7 8 9 10 11 12 13

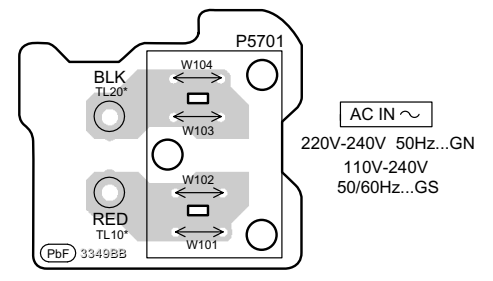
19.2.3. SMPS / AC INLET P.C.B.

J SMPS P.C.B. (REP4527C-P...GN)
(REP4527D-P...GS)



CAUTION
RISK OF ELECTRIC SHOCK
AC VOLTAGE LINE.
PLEASE DO NOT TOUCH THIS P.C.B.

K AC INLET P.C.B. (REP4527C-P...GN)
(REP4527D-P...GS)



NOTE: "*" REF IS FOR INDICATION ONLY.

SC-ZT1GN/GS(SB-ZT1GN/GS)
SMPS/AC INLET P.C.B.

20 Terminal Function of IC's

20.1. IC8001 (RFKWMUZZT1PP) MICRO PROCESSOR

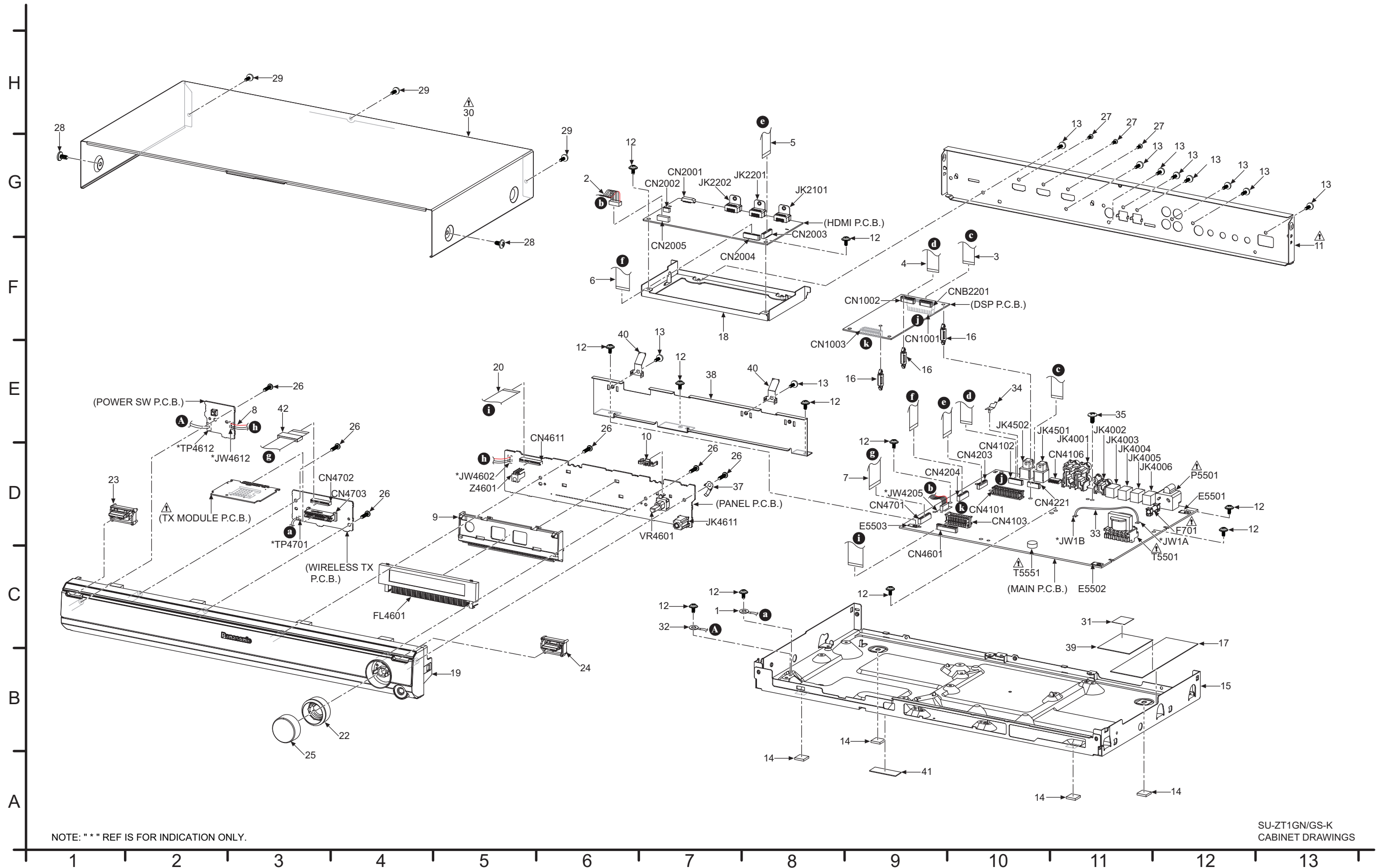
Pin No.	Mark	I/O	Function
1	W_SSB	O	WIRELESS STANDBY
2	W_DET	I	WIRELESS DETECT
3	W_INT	I/O	WIRELESS INTERRUPT
4	NC	-	NO CONNECTION
5	VOL_CLK	-	VOLUME CLOCK
6	VOL_DT	I/O	VOLUME DATA
7	NC	-	NO CONNECTION
8	BYTE	-	GND
9	CNVSS	-	CNVSS
10	NC	-	NO CONNECTION
11	NC	-	NO CONNECTION
12	RESET	I	RESET INPUT
13	XOUT	O	OSCILLATOR OUTPUT (10MHZ)
14	VSS	-	GND
15	XIN	I	OSCILLATOR INPUT (10MHZ)
16	VCC	-	3.3V VOLTAGE SUPPLY
17	NMI	I	NON MASK INTERRUPT INPUT
18	NC	-	NO CONNECTION
19	REMOTE	I	REMOTE CONTROL INPUT
20	AC_SYNC	-	AC SYNCHRONIZATION INPUT
21	MUTE_AMP	O	AMP MUTING CONTROL
22	MUTE_S/C	O	SURROUND/CENTER MUTING CONTROL
23	MUTE_HP	O	HEADPHONE MUTING CONTROL
24	NC	-	NO CONNECTION
25	NC	-	NO CONNECTION
26	NC	-	NO CONNECTION
27	HDMIMUTE_DIS	O	HDMI MUTING
28	AMP_POWER	I/O	AMP POWER CONTROL
29	SCL	I/O	EEPROM IC SERIAL CLOCK INPUT
30	SDA	I/O	EEPROM IC SERIAL DATA
31	CE	O	EEPROM CHIP ENABLE
32	RXD	I/O	RX DATA
33	SCLK	I/O	SERIAL CLOCK
34	BUSY	I/O	STATUS PIN
35	M_SI	I	HDMI SERIAL DATA INPUT
36	H_SO	O	HDMI SERIAL DATA OUTPUT
37	M_CLK	O	HDMI MICRO-P CLOCK
38	CEC_OUT	O	CEC OUT
39	CEC_IN	I	CEC IN
40	NC	-	NO CONNECTION
41	PIN 41	I/O	P41
42	NC	-	NO CONNECTION
43	M_RESET	O	HDMI MICRO-P RESET
44	M_CS	O	HDMI MICRO-P CHIP SELECT
45	NC	-	NO CONNECTION
46	PIN 46	I/O	PIN46
47	PWR_CONTROL	O	POWER CONTROL
48	HDMI_MUTE	O	HDMI MUTING CONTROL
49	H_REQ	O	HDMI INTERRUPT REQUEST
50	HDMI_CTRL	I/O	HDMI CONTROL
51	NC	-	NO CONNECTION
52	NC	-	NO CONNECTION
53	NC	-	NO CONNECTION
54	VOL_LED	O	VOLUME LED DRIVE
55	W_SDO	O	WIRELESS SERIAL DATA OUTPUT
56	W_SCL	I/O	WIRELESS SERIAL CLOCK
57	W_SDI	I	WIRELESS SERIAL DATA INPUT
58	NC	-	NO CONNECTION

Pin No.	Mark	I/O	Function
59	FL_CS	O	FL DRIVER DISPLAY CHIP SELECT
60	FL_CLK	I/O	FL DRIVE DISPLAY CLOCK
61	FL_DI	I	FL DRIVE DISPLAY DATA INPUT
62	VCC2	-	VOLTAGE SUPPLY
63	NC	-	NO CONNECTION
64	VSS	-	GND
65	NC	-	NO CONNECTION
66	NC	-	NO CONNECTION
67	NC	-	NO CONNECTION
68	NC	-	NO CONNECTION
69	CLK_DSP	I/O	DSP CLOCK
70	INTREQ_DSP	I/O	DSP INTERRUPT REQUEST
71	BUSY_DSP	I/O	DSP STATUS SIGNAL
72	RESET_DSP	O	DSP RESET SIGNAL
73	CS_DSP	O	DSP CHIP SELECT
74	MOSI_DSP	I/O	DSP MICRO-P OUTPUT SERIAL
75	INTREQ_CODEC	I/O	CODEC INTERRUPT REQUEST SIGNAL
76	CS_CODEC	O	CODEC CHIP SELECT
77	MISO_DSP	I/O	DSP MICRO INPUT SERIAL
78	RESET_CODEC	O	CODEC RESET SIGNAL
79	DT_OUT_CODEC	I/O	CODEC DATA PUT
80	NC	-	NO CONNECTION
81	KEY1	I	KEY1 INPUT TERMINA
82	KEY2	I	KEY2 INPUT TERMINA
83	REG1	-	CONNECT Vref
84	REG2(MODEL)	-	CONNECT Vref
85	P0_3	-	NO CONNECTION
86	P0_2	-	NO CONNECTION
87	P0_1	-	NO CONNECTION
88	LINE_OUT_DET	I/O	LINE OUT DETECT
89	VOL_ENC2	I	Vref
90	VOL_ENC1	I	Vref
91	HP_DET	I	HEADPHONE DETECT
92	PCONT(POWER RELAY)	I	POWER CONTROL
93	FAN_LOCK	I	CONNECT Vref
94	DC_DET	I	DC DETECTION SIGNAL
95	S_DET	I	VOLTAGE SUPPLY DETECT SIGNAL
96	AVSS	-	GND
97	FILTER	-	FILTER TERMINAL
98	VREF	-	3.3V VOLTAGE SUPPLY
99	AVCC	-	VOLTAGE SUPPLY
100	P9_7	-	NO CONNECTION

21 Exploded View and Replacement Parts List

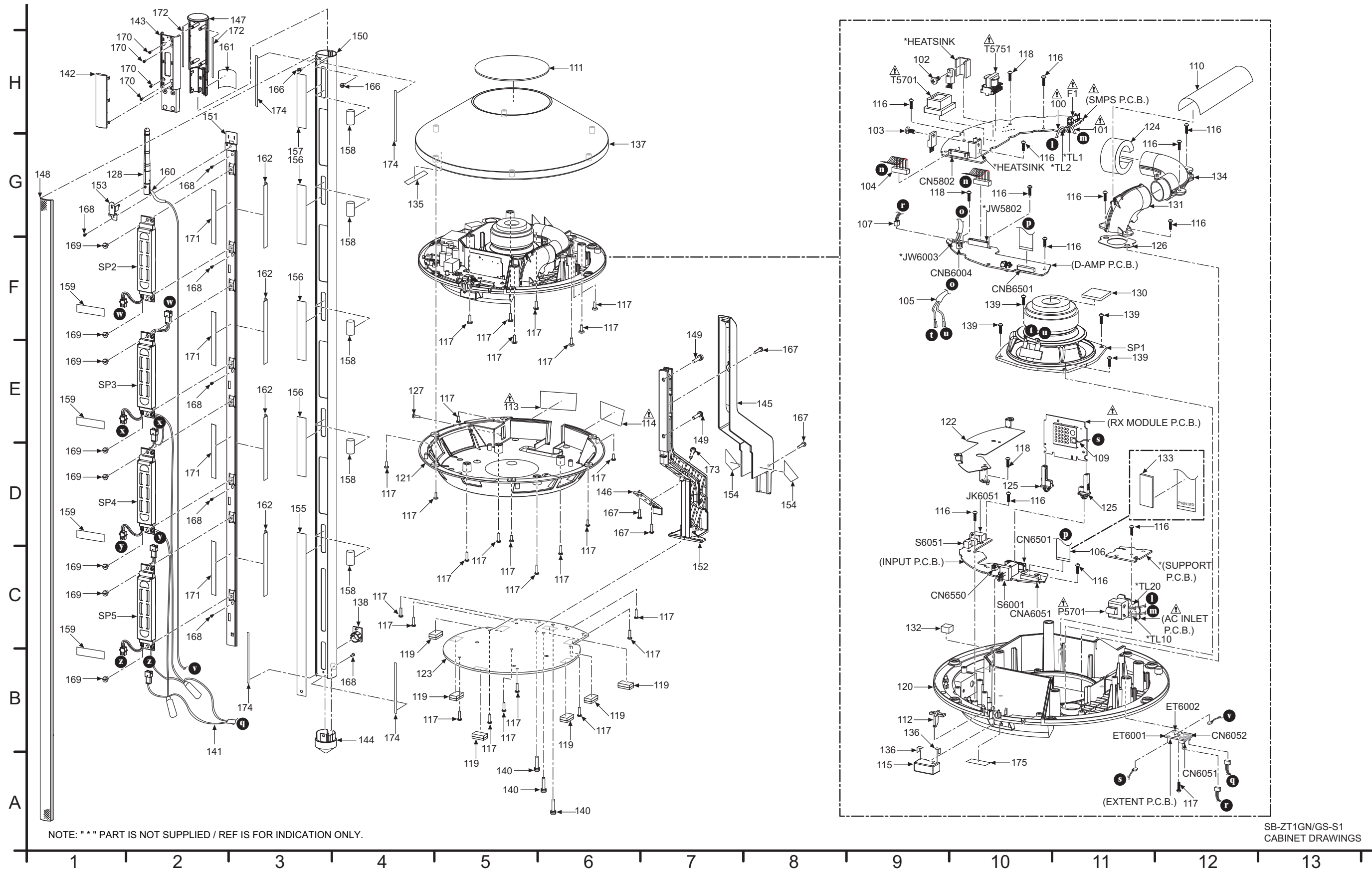
21.1. Exploded View and Mechanical Replacement Parts List

21.1.1. Cabinet Parts Location (SU-ZT1)



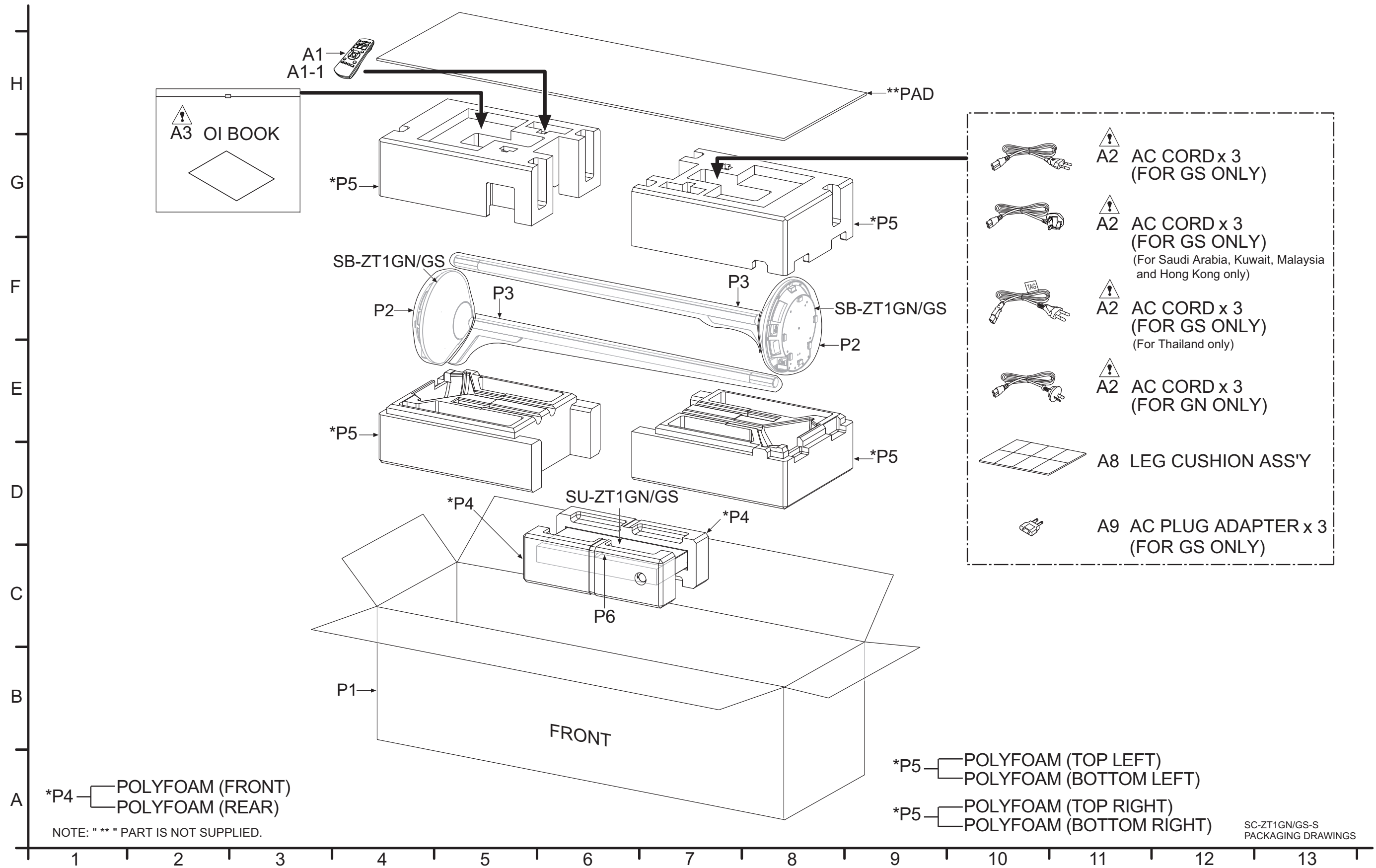
SU-ZT1GN/GS-K
CABINET DRAWINGS

21.1.2. Cabinet Parts Location (SB-ZT1)



SB-ZT1GN/GS-S1
CABINET DRAWINGS

21.1.3. Packaging (SC-ZT1)



21.1.4. Mechanical Replacement Parts List

Important Safety Notice

Components identified by Δ mark have special characteristics important for safety. When replacing any of these components, use only manufacturer's specified parts.

RTL (Retention Time Limited)

Note: The marking (RTL) indicates that the Retention Time is Limited for this item.

After the discontinuation of this assembly in production, the item will continue to be available for a specific period of time. The retention period of availability is dependant on the type of assembly, and in accordance with the laws governing part and product retention. After the end of this period, the assembly will no longer be available.

Note:

- When replacing any of these components, be sure to use only manufacturer's specified parts shown in the replacement part list.
- The parenthesized indications on the Remarks column specify the destination & product color (Refer to the cover page for the information).
- Parts without these indications shall be used for all areas.
- This product uses a laser diode. Refer to "Precaution of Laser Diode".
- All parts mentioned are supplied by PAVCSG unless indicated likewise.
- Parts mentioned [SPG] in the Remarks column are supplied by PAVC-CSG.
- Reference for O/I book languages are as follows:

Ar:	Arabic	Du:	Dutch	It:	Italian	Sp:	Spanish
Cf:	Canadian French	En:	English	Ko:	Korean	S:	Swedish
Cz:	Czech	Fr:	French	Po:	Polish	Co:	Traditional Chinese
Da:	Danish	Ge:	German	Ru:	Russian	Cn:	Simplified Chinese
Pe:	Persian	Ur:	Ukraine	Pr:	Portuguese		

21.1.4.1. Main Unit (SU-ZT1)

Safety	Ref. No.	Part No.	Part Name & Description	QTY	Remarks
			CABINET AND CHASSIS		
1	REX1304	1P WIRE (WIRELESS-BTM CHASSIS ; TP4701)	1		
2	REX1305	7P WIRE (MAIN-HDMI ; JW4205)	1		
3	REE1503	12P FFC (MAIN-DSP)	1		
4	REE1504	14P FFC (MAIN-DSP)	1		
5	REE1505	15P FFC (MAIN-HDMI)	1		
6	REE1506	16P FFC (MAIN-HDMI)	1		
7	REE1507	19P FFC (WIRELESS-MAIN)	1		
8	RWJ2V03205SS	3P WIRE (PANEL-POWER; JW4602)	1		
9	RMNV0063A-K	FL HOLDER	1		
10	RMNX0253	LED HOLDER	1		
Δ	11	RGR0393A-D	REAR PANEL	1	GS
Δ	11	RGR0393A-E	REAR PANEL	1	GN
	12	RHD30111-31	SCREW	11	
	13	RHD30119-S	SCREW	10	
	14	RKA0105-KJ	CUSHION	4	
	15	RMK0726-1	CHASSIS	1	
	16	RMR1359-W	PCB SUPPORT	3	
	17	RMZ1028	INSULATION SHEET	1	B
	18	RSCV0082	HDMI SUPPORT CHASSIS	1	

Safety	Ref. No.	Part No.	Part Name & Description	QTY	Remarks
	19	RFKGUZT1E-K	FRONT CABINET ASS'Y	1	
	20	REE1508	22P FFC (PANEL-MAIN)	1	
	22	RGL0724-Q	LIGHTING RING	1	
	23	RGU2643-K	POWER BUTTON	1	
	24	RGU2644-K	SELECTOR BUTTON	1	
	25	RGWX0116-K	VOLUME KNOB	1	
	26	RHD26046	SCREW	6	
	27	XSN3+4FJ	SCREW	3	
	28	RHD30007-K2J	SCREW	2	
	29	RHD30119-K	SCREW	3	
Δ	30	RKM0613-K	TOP CABINET	1	
	31	RSC0824	RADIATOR SHEET	1	
	32	REX1304	1P WIRE (PWR BTN-BTM CHASSIS ; TP4612)	1	
	33	REX1378-1	1P WIRE UNIT	1	
	34	RMCO667	EARTH SPRING	1	
	35	RHD30005-1	SCREW	1	
	37	RMCO709	VCR EARTH ANGLE	1	
	38	RMQ1752	FRONT SHIELD	1	
	39	RMZ1055	INSULATION SHEET	1	
	40	RSC0734	PANEL EARTH PLATE	2	
	41	RMV0336	CHASSIS SHEET	1	
	42	JOKD00000068	FERRITE CORE	1	
			PACKING MATERIALS		
	P1	RPG8828	PACKING CASE	1	GN
	P1	RPG8829	PACKING CASE	1	GS
	P2	RPF0481	PROTECTION BAG	2	
	P3	RPF0479-1	MIRAMAT BAG	2	

Safety	Ref. No.	Part No.	Part Name & Description	QTY	Remarks
	P4	RPN2105	POLYFOAM (SU)	1	
	P5	RPN2106-1	POLYFOAM (SB)	2	
	P6	RPF0262	MIRAMAT BAG	1	
			ACCESSORIES		
	A1	N2QAYB000417	REMOTE CONTROL	1	
	A1-1	RKK-PT470EBK	R/C BATTERY COVER	1	
△	A2	K2CJ2DA00010	AC CORD	3	GN
△	A2	K2CP2CA00001	AC CORD W/ TAG	3	GS
△	A2	K2CQ2CA00007	AC CORD (2P)	3	GS
△	A2	K2CZ3YY00005	AC CORD (3P)	3	GS
△	A3	RQT9462-E	O/I BOOK (En)	1	
	A8	RFA3045-1	LEG CUSHION ASS'Y	1	
△	A9	K2DAYYY00002	AC PLUG ADAPTER	3	GS

21.1.4.2. Speaker Unit (SB-ZT1)

Safety	Ref. No.	Part No.	Part Name & Description	QTY	Remarks
			CABINET AND CHAS-SIS		
△	100	REX1346-1	BLACK WIRE (SMPS-AC)	1	
△	101	REX1356-1	RED WIRE (SMPS-AC)	1	
	102	XTB3+8JFJ	SCREW	1	
	103	XTV3+6FFJ	SCREW	1	
	104	REX1347	WIRE (AMP-D-AMP; JW5802)	1	
	105	REX1348-1	WIRE (D-AMP-WOOFER; JW6003)	1	
	106	REX1350-1	WIRE (AMP-WIRE-LESS)	1	
	107	REZ1960-1	TRANSIT WIRE ASS'Y	1	
	109	REX1358	COAXIAL CABLE (RX-EXTEND)	1	
	110	RMF0245D	ABSORBER (WOOFER)	1	
	111	RGK2190-S	WOOFER COVER ORNA-MENT	1	
	112	RGL0723-Q	LIGHT PANEL	1	
△	113	RGN2979C-K	SPEC SHEET	1	GS
△	113	RGN2979D-K	SPEC SHEET	1	GN
△	114	RGN2980C-K	CAUTION LABEL	1	GS
△	114	RGN2980D-K	CAUTION LABEL	1	GN
	115	RGU2645B-K	POWER BUTTON	1	
	116	RHD26046	SCREW	13	
	117	XTB26+12GFJ	SCREW	27	
	118	RHD26043-1	SCREW	3	
	119	RKA0181A-K	LEG CUSHION	6	
	120	RYQ0715-K	MID CABINET ASS'Y	1	
	121	RKP0110-K	BOTTOM CABINET	1	
	122	RMA2200-1	SHEET METAL	1	
	123	RMA2201-2	WEIGHT	1	
	124	RMF0428	PORT NOISE ABSORBER	1	
	125	RMNX0224-1	PCB HOLDER	2	
	126	RMQ0426-2	PORT PACKING	1	
	127	XTB3+10GFJK	SCREW	1	
	128	RXM0086Z	ANTENNA	1	
	130	RMQ1726	WOOFER BLOCK SPACER	1	
	131	RYQ0710-W	PORT ASSY	1	
	132	RMF0428A	SEALER	1	
	133	RMQ1740B	SEALER	1	
	134	RYQ0711-W	PORT ASSY (C,D)	1	
	135	RMQ1740C	EPT SEALER	1	
	136	RMQ1755-2	BUTTON BBD SHEET A	2	
	137	RYQ0714A-S	WOOFER COVER ASSY	1	
	138	RMR1937-K	WIRE PROTECTOR	1	
	139	XTB4+10JFJ	SCREW	4	
	140	XYN4+F20FJ	SCREW	3	

Safety	Ref. No.	Part No.	Part Name & Description	QTY	Remarks
	141	REX1353	WIRE (EXTENSION RELAY-WEETER)	1	
	142	RGK2184-Q	ANTENNA FRONT ORNAMENT	1	
	143	RGK2186A-S	ANTENNA COVER A	1	
	144	RGK2187-S	PIPE BOTTOM COVER	1	
	145	RGK2188-S1	ARM COVER A	1	
	146	RGK2189-K	ARM COVER B	1	
	147	RGK2194-S	ANTENNA COVER B	1	
	148	RYQ0716-S	PREPARED NET ASS'Y	1	
	149	RHD40030	SCREW	2	
	150	RKM0614-S	PIPE	1	
	151	RMA2196	TWEETER BASE FRAME	1	
	152	RMA2197	ARM	1	
	153	RMA2203	ANTENNA HOLDER	1	
	154	RMF0435	HIMELON	2	
	155	RMF0421A	BLIND SHEET-A	1	
	156	RMF0421B	BLIND SHEET-B	3	
	157	RMF0421C	BLIND SHEET-C	1	
	158	RMF0429	SOUND ABSORBER	5	
	159	RMQ1722B	HIMELON (WIRE (CONNECTOR))	4	
	160	RMQ1722A	HIMELON (FOR ANT CABLE)	1	
	161	RMQ1722F	HIMELON (FOR ARM COVER A)	1	
	162	RMQ1722J	HIMELON (FOR TWEETER)	4	
	166	XTS2+6GFJ	SCREW (ANT COVER-AL PIPE)	2	
	167	XSB3+8FJK	SCREW	4	
	168	XTB3+6JFJK	SCREW	7	
	169	XTB4+6JFJK	SCREW	8	
	170	XTN2+6JFJK	SCREW	4	
	171	RMQ1750	HIMELON (TWEETER)	4	
	172	RMQ1751	HIMELON (ARM COVER B)	2	
	173	XYN4+J30FJ	M4 SCREW	1	
	174	RMF0438	PET SHEET	4	
	175	RMQ1756-1	BUTTON BBD SHEET B	1	
			SPEAKERS		
	SP1	L0AA12A00024	WOOFER	1	
	SP2	EAS10D85M	TWEETER	1	
	SP3	EAS10D85M	TWEETER	1	
	SP4	EAS10D85M	TWEETER	1	
	SP5	EAS10D85M	TWEETER	1	

21.2. Electrical Replacement Parts List

Important Safety Notice

Components identified by Δ mark have special characteristics important for safety. When replacing any of these components, use only manufacturer's specified parts.

RTL (Retention Time Limited)

Note: The marking (RTL) indicates that the Retention Time is Limited for this item.

After the discontinuation of this assembly in production, the item will continue to be available for a specific period of time. The retention period of availability is dependant on the type of assembly, and in accordance with the laws governing part and product retention. After the end of this period, the assembly will no longer be available.

Note:

- When replacing any of these components, be sure to use only manufacturer's specified parts shown in the replacement part list.
- The parenthesized indications on the Remarks column specify the destination & product color (Refer to the cover page for the information).
- Parts without these indications shall be used for all areas.
- This product uses a laser diode. Refer to "Precaution of Laser Diode".
- Capacitor value are in microfarads (uF) unless specified otherwise, P=Pico-farads (pF), F=Farads.
- Resistance values are in ohms, unless specified otherwise, 1K=1000 (OHM).
- All parts mentioned are supplied by PAVCSG unless indicated likewise.
- Parts mentioned [SPG] in the Remarks column are supplied by PAVC-CSG.

21.2.1. Main Unit (SU-ZT1)

Safety	Ref. No.	Part No.	Part Name & Description	QTY	Remarks
			PRINTED CIRCUIT BOARDS		
Δ	PCB1	RD-DWXX006JM	TX MODULE P.C.B	1	(RTL)
	PCB2	REP4392H-T	HDMI P.C.B	1	(RTL)
	PCB3	REP4526C	MAIN P.C.B	1	(RTL)
	PCB4	REPV0114F-T	DSP P.C.B	1	(RTL)
	PCB5	REP4526C	PANEL P.C.B	1	(RTL)
	PCB6	REP4526C	POWER SW P.C.B	1	(RTL)
	PCB7	REP4526C	WIRELESS TX P.C.B	1	(RTL)
			INTEGRATED CIRCUITS		
	IC1000	C2HBCY000030	IC	1	
	IC1001	C0FBZK000013	IC	1	
	IC1002	C0CBCAG00015	IC	1	
	IC1003	C0CBCBC00049	IC	1	
	IC1004	C0JBAR000396	IC	1	
	IC1005	C3ABMG000238	IC	1	
	IC2001	C0EBE0000338	IC	1	
	IC2002	C2CBYY000684	IC	1	
	IC2003	RFKWFUZZT1PP	IC	1	
	IC2004	C0CBCBG00013	IC	1	
	IC2005	C0CBCBC00049	IC	1	
	IC2006	C0JBAZ001466	IC	1	
	IC2101	C1AB00002975	IC	1	
	IC2102	C0CBCAG00015	IC	1	
	IC2201	C1AB00002977	IC	1	
	IC2232	C1AB00002989	IC	1	
	IC2233	C0CBCAG00015	IC	1	
	IC4001	C1BB00001134	IC	1	
	IC4101	C0ABBB000038	IC	1	
	IC4102	C0ABBB000038	IC	1	

Safety	Ref. No.	Part No.	Part Name & Description	QTY	Remarks
	IC4201	C0ABBB000230	IC	1	
	IC4202	C0ABBB000230	IC	1	
	IC4203	C0ABBB000230	IC	1	
	IC4301	C0ABBB000230	IC	1	
	IC4302	C0ABBB000230	IC	1	
	IC4303	C0ABBB000230	IC	1	
	IC4304	C0AABB000085	IC	1	
	IC4601	COHBB0000057	IC	1	
	IC5501	MIP2F50MSSCF	IC	1	
	IC5502	C0DAEMZ00001	IC	1	
	IC5503	C0DBEKG00004	IC	1	
	IC5504	C0DBAYH00005	IC	1	
	IC5561	C0DBAYH00005	IC	1	
	IC5562	C0DBAYH00005	IC	1	
	IC5563	C0CBCDC00014	IC	1	
	IC5571	C0CBACC00046	IC	1	
	IC5572	C0DBEKG00004	IC	1	
	IC8001	RFKWMUZZT1PP	IC	1	
	IC8002	RFKWEUZZT1PP	IC	1	
	IC8003	C0EBE0000338	IC	1	
	IC8004	C0EBG0000107	IC	1	
			TRANSISTORS		
	Q2101	B1ABCF000079	TRANSISTOR	1	
	Q2102	B1ABCF000079	TRANSISTOR	1	
	Q2103	B1ABCF000079	TRANSISTOR	1	
	Q2104	B1ABCF000079	TRANSISTOR	1	
	Q2105	B1ABCF000079	TRANSISTOR	1	
	Q4301	B1HBDCA00001	TRANSISTOR	1	
	Q4302	B1HBDCA00001	TRANSISTOR	1	
	Q4303	B1HBDCA00001	TRANSISTOR	1	
	Q4304	B1HBDCA00001	TRANSISTOR	1	
	Q4305	B1HBDCA00001	TRANSISTOR	1	
	Q5504	B1ABCF000011	TRANSISTOR	1	
	Q5505	B1ADCF000001	TRANSISTOR	1	
	Q5506	B1ABCF000011	TRANSISTOR	1	

Safety	Ref. No.	Part No.	Part Name & Description	QTY	Remarks
	Q5507	2SC3940ARA	TRANSISTOR	1	
	Q5508	2SB0621AHA	TRANSISTOR	1	
	Q5509	B1ADCF000001	TRANSISTOR	1	
	Q5510	2SB0621AHA	TRANSISTOR	1	
	Q5551	B1BABK000001	TRANSISTOR	1	
	Q5561	UNR221300L	TRANSISTOR	1	
	QR2001	B1GBCFJJ0007	TRANSISTOR	1	
	QR2002	B1GBCFJJ0007	TRANSISTOR	1	
	QR4301	UNR221300L	TRANSISTOR	1	
	QR4305	B1GDCFGG0005	TRANSISTOR	1	
	QR4306	B1GDCFGG0005	TRANSISTOR	1	
	QR4307	B1GBCFJJ0007	TRANSISTOR	1	
	QR4308	B1GBCFJJ0007	TRANSISTOR	1	
	QR4309	B1GDCFJJ0008	TRANSISTOR	1	
	QR4310	B1GDCFJJ0008	TRANSISTOR	1	
	QR4311	B1GBCFJJ0007	TRANSISTOR	1	
	QR4312	B1GDCFJJ0008	TRANSISTOR	1	
	QR4602	B1GBCFJJ0007	TRANSISTOR	1	
	QR4603	B1GDCFJJ0008	TRANSISTOR	1	
	QR5501	UNR221300L	TRANSISTOR	1	
	QR5502	UNR221300L	TRANSISTOR	1	
	QR5503	UNR221300L	TRANSISTOR	1	
	QR5562	UNR221300L	TRANSISTOR	1	
	QR5563	UNR221300L	TRANSISTOR	1	
	QR5571	UNR221300L	TRANSISTOR	1	
	QR5581	B1GBCFGG0030	TRANSISTOR	1	
	QR5582	B1GBCFJA0017	TRANSISTOR	1	
	QR5591	B1GBCFJJ0007	TRANSISTOR	1	
	QR5592	B1GBCFJJ0007	TRANSISTOR	1	
			DIODES		
	D2001	MA2J7280GL	DIODE	1	
	D2002	MA2J7280GL	DIODE	1	
	D2003	B0ACCK000005	DIODE	1	
	D2004	B0ACCK000005	DIODE	1	
	D2005	B0ACCK000005	DIODE	1	
	D2006	B0ACCK000005	DIODE	1	
	D2007	MA2J7280GL	DIODE	1	
	D2008	MA2J7280GL	DIODE	1	
	D2101	MA2J7280GL	DIODE	1	
	D2201	B0ACCK000005	DIODE	1	
	D2202	B0ACCK000005	DIODE	1	
	D4301	B0ACCK000005	DIODE	1	
	D4601	B3AEA0000058	DIODE	1	
	D4602	MAZ8075GML	DIODE	1	
	D5502	B0EDKT000009	DIODE	1	
	D5503	B0HAMP000094	DIODE	1	
	D5504	B0EAMM000057	DIODE	1	
	D5505	B0JAMF000011	DIODE	1	
	D5506	B0JAMF000011	DIODE	1	
	D5507	B0EAMM000057	DIODE	1	
	D5508	B0EAMM000057	DIODE	1	
	D5509	B0JCPG000005	DIODE	1	
	D5510	MAZ8075GML	DIODE	1	
	D5511	B0JAMF000011	DIODE	1	
	D5551	MAZ8200GML	DIODE	1	
	D5552	MAZ8200GML	DIODE	1	
	D5553	B0BC026A0007	DIODE	1	
	D5554	B0BC02400011	DIODE	1	
	D5555	B0JCMD000010	DIODE	1	
	D5556	B0JAME000029	DIODE	1	
	D5561	B0JCPG000005	DIODE	1	
	D5562	B0JCPG000005	DIODE	1	
	D5563	B0JAME000029	DIODE	1	
	D5571	MA2J1110GL	DIODE	1	
	D5581	MAZ8300GML	DIODE	1	
	D5582	MAZ8075GML	DIODE	1	
	D5583	MAZ8120GML	DIODE	1	
	D5584	B0ACCK000005	DIODE	1	
	D5585	B0JCAE000001	DIODE	1	
	D5586	B0ACCK000005	DIODE	1	
	D5587	B0ACCK000005	DIODE	1	

Safety	Ref. No.	Part No.	Part Name & Description	QTY	Remarks
	D5591	B0BC4R600016	DIODE	1	
	D8001	MA2J1110GL	DIODE	1	
	D8002	MA2J1110GL	DIODE	1	
	D8003	MA2J1110GL	DIODE	1	
	D8006	B0ACCK000005	DIODE	1	
	DZ5501	ERZV10V511CS	ZNR	1	
			VARISTORS		
	VA2101	EZAEG2A50AX	ESD SUPPRESSOR	1	
	VA2102	EZAEG2A50AX	ESD SUPPRESSOR	1	
	VA2103	EZAEG2A50AX	ESD SUPPRESSOR	1	
	VA2104	EZAEG2A50AX	ESD SUPPRESSOR	1	
	VA2105	EZAEG2A50AX	ESD SUPPRESSOR	1	
	VA2106	EZAEG2A50AX	ESD SUPPRESSOR	1	
	VA2107	EZAEG2A50AX	ESD SUPPRESSOR	1	
	VA2108	EZAEG2A50AX	ESD SUPPRESSOR	1	
	VA2109	EZJZ0V80008B	VARISTOR	1	
	VA2110	EZJZ0V80008B	VARISTOR	1	
	VA2111	EZJZ0V80008B	VARISTOR	1	
	VA2112	EZJZ0V80008B	VARISTOR	1	
	VA2113	EZJZ0V80008B	VARISTOR	1	
	VA2201	EZAEG2A50AX	ESD SUPPRESSOR	1	
	VA2202	EZAEG2A50AX	ESD SUPPRESSOR	1	
	VA2203	EZAEG2A50AX	ESD SUPPRESSOR	1	
	VA2204	EZAEG2A50AX	ESD SUPPRESSOR	1	
	VA2205	EZAEG2A50AX	ESD SUPPRESSOR	1	
	VA2206	EZAEG2A50AX	ESD SUPPRESSOR	1	
	VA2207	EZAEG2A50AX	ESD SUPPRESSOR	1	
	VA2208	EZAEG2A50AX	ESD SUPPRESSOR	1	
	VA2209	EZJZ0V80008B	VARISTOR	1	
	VA2210	EZJZ0V80008B	VARISTOR	1	
	VA2211	EZJZ0V80008B	VARISTOR	1	
	VA2212	EZJZ0V80008B	VARISTOR	1	
	VA2213	EZAEG2A50AX	ESD SUPPRESSOR	1	
	VA2214	EZAEG2A50AX	ESD SUPPRESSOR	1	
	VA2215	EZAEG2A50AX	ESD SUPPRESSOR	1	
	VA2216	EZAEG2A50AX	ESD SUPPRESSOR	1	
	VA2217	EZAEG2A50AX	ESD SUPPRESSOR	1	
	VA2218	EZAEG2A50AX	ESD SUPPRESSOR	1	
	VA2219	EZAEG2A50AX	ESD SUPPRESSOR	1	
	VA2220	EZAEG2A50AX	ESD SUPPRESSOR	1	
	VA2221	EZJZ0V80008B	VARISTOR	1	
	VA2222	EZJZ0V80008B	VARISTOR	1	
	VA2223	EZJZ0V80008B	VARISTOR	1	
	VA2224	EZJZ0V80008B	VARISTOR	1	
			VARIABLE RESISTOR		
	VR4601	EVEKE2F2524M	VOLUME JOG	1	
			SWITCHES		
	S4601	EVQ21405RJ	SW POWER	1	
	S4602	EVQ21405RJ	SW SELECTOR	1	
			CONNECTORS		
	CN1001	K1KB30AA0071	30P CONNECTOR	1	
	CN1002	K1MN14AA0046	14P CONNECTOR	1	
	CN1003	K1KB22A00043	22P CONNECTOR	1	
	CN2001	K1MN10BA0147	10P CONNECTOR	1	
	CN2002	K1MY10AA0021	10P CONNECTOR	1	
	CN2003	K1MN15AA0046	15P CONNECTOR	1	
	CN2004	K1MN16AA0046	16P CONNECTOR	1	
	CN2005	K1KA07AA0083	7P CONNECTOR	1	
	CN4101	K1KA30A00121	30P CONNECTOR	1	
	CN4102	K1MN14AA0003	14P CONNECTOR	1	
	CN4103	K1KA22A00083	22P CONNECTOR	1	
	CN4106	K1MN10BA0004	10P CONNECTOR	1	
	CN4203	K1MN15AA0003	15P CONNECTOR	1	
	CN4204	K1MN16AA0003	16P CONNECTOR	1	
	CN4221	K1MN12AA0003	12P CONNECTOR	1	

Safety	Ref. No.	Part No.	Part Name & Description	QTY	Remarks
	CN4601	K1MN22AA0004	22P CONNECTOR	1	
	CN4611	K1MN22AA0004	22P CONNECTOR	1	
	CN4701	K1MN19AA0004	19P CONNECTOR	1	
	CN4702	K1MN19AA0004	19P CONNECTOR	1	
	CN4703	K1MY26A00001	26P CONNECTOR	1	
	CNB2201	K1MN12AA0046	12P CONNECTOR	1	
			COILS AND INDUC-TORS		
	L1000	J0JBC0000014	INDUCTOR	1	
	L1001	J0JBC0000014	INDUCTOR	1	
	L1002	J0JBC0000014	INDUCTOR	1	
	L1003	J0JBC0000014	INDUCTOR	1	
	L1004	J0JBC0000014	INDUCTOR	1	
	L2101	J0MAB0000225	INDUCTOR	1	
	L2102	J0MAB0000225	INDUCTOR	1	
	L2103	J0MAB0000225	INDUCTOR	1	
	L2104	J0MAB0000225	INDUCTOR	1	
	L2231	G1CR82KA0010	INDUCTOR	1	
	L4501	G1C1R0MA0061	INDUCTOR	1	
	L4611	J0JBC0000041	INDUCTOR	1	
	L4612	J0JBC0000014	INDUCTOR	1	
	L4613	J0JBC0000014	INDUCTOR	1	
	L4614	J0JBC0000014	INDUCTOR	1	
△	L5500	ELF18N005A	LINE FILTER	1	
△	L5501	ELF15N035AN	LINE FILTER	1	
	L5503	G0A220GA0026	CHOKE COIL	1	
	L5504	G0A220GA0026	CHOKE COIL	1	
	L5505	G0A330ZA0045	CHOKE COIL	1	
	L5507	J0JKB0000020	INDUCTOR	1	
	L5551	G0C390JA0055	INDUCTOR	1	
	L5561	G0A330ZA0045	CHOKE COIL	1	
	L5562	G0A330ZA0045	CHOKE COIL	1	
	L5571	G0A200D00002	CHOKE COIL	1	
	LB1000	J0JHC0000021	INDUCTOR	1	
	LB1001	J0JHC0000021	INDUCTOR	1	
	LB1002	J0JHC0000021	INDUCTOR	1	
	LB1003	J0JHC0000021	INDUCTOR	1	
	LB1004	J0JHC0000021	INDUCTOR	1	
	LB1005	J0JHC0000021	INDUCTOR	1	
	LB1006	J0JHC0000021	INDUCTOR	1	
	LB1007	J0JHC0000021	INDUCTOR	1	
	LB1008	J0JHC0000021	INDUCTOR	1	
	LB2001	J0JCC0000078	INDUCTOR	1	
	LB2002	J0JCC0000078	INDUCTOR	1	
	LB2003	J0JCC0000119	INDUCTOR	1	
	LB2004	J0JHC0000021	INDUCTOR	1	
	LB2005	J0JHC0000012	INDUCTOR	1	
	LB2006	J0JHC0000012	INDUCTOR	1	
	LB2007	J0JHC0000012	INDUCTOR	1	
	LB2008	J0JHC0000012	INDUCTOR	1	
	LB2009	J0JHC0000021	INDUCTOR	1	
	LB2101	J0JCC0000119	INDUCTOR	1	
	LB2102	J0JCC0000119	INDUCTOR	1	
	LB2103	J0JCC0000119	INDUCTOR	1	
	LB2104	J0JCC0000119	INDUCTOR	1	
	LB2105	J0JHC0000021	INDUCTOR	1	
	LB2106	J0JHC0000021	INDUCTOR	1	
	LB2107	J0JHC0000021	INDUCTOR	1	
	LB2108	J0JHC0000021	INDUCTOR	1	
	LB2109	J0JHC0000021	INDUCTOR	1	
	LB2110	J0JHC0000021	INDUCTOR	1	
	LB2201	J0JCC0000119	INDUCTOR	1	
	LB2202	J0JCC0000119	INDUCTOR	1	
	LB2203	J0JCC0000119	INDUCTOR	1	
	LB2204	J0JCC0000119	INDUCTOR	1	
	LB2205	J0JCC0000119	INDUCTOR	1	
	LB2206	J0JCC0000119	INDUCTOR	1	
	LB2207	J0JCC0000119	INDUCTOR	1	
	LB2208	J0JCC0000119	INDUCTOR	1	
	LB2209	J0JHC0000021	INDUCTOR	1	
	LB2210	J0JHC0000021	INDUCTOR	1	

Safety	Ref. No.	Part No.	Part Name & Description	QTY	Remarks
	LB2211	J0JHC0000021	INDUCTOR	1	
	LB2235	J0JHC0000021	INDUCTOR	1	
	LB2236	J0JHC0000021	INDUCTOR	1	
	LB2237	J0JHC0000021	INDUCTOR	1	
	LB2238	J0JHC0000021	INDUCTOR	1	
	LB4701	J0JBC0000014	INDUCTOR	1	
	LB4702	J0JBC0000014	INDUCTOR	1	
	LB4703	J0JBC0000014	INDUCTOR	1	
	LB4704	J0JBC0000014	INDUCTOR	1	
	LB4705	J0JBC0000014	INDUCTOR	1	
	LB4708	J0JBC0000014	INDUCTOR	1	
	LB4721	J0JBC0000014	INDUCTOR	1	
	LB4722	J0JBC0000014	INDUCTOR	1	
	LB4723	J0JBC0000014	INDUCTOR	1	
	LB4724	J0JBC0000014	INDUCTOR	1	
	LB4774	J0JBC0000014	INDUCTOR	1	
	LB4775	J0JBC0000014	INDUCTOR	1	
	LB4776	J0JBC0000014	INDUCTOR	1	
	LB4777	J0JBC0000014	INDUCTOR	1	
	LB4778	J0JBC0000014	INDUCTOR	1	
	LB4779	J0JBC0000014	INDUCTOR	1	
	LB4780	J0JBC0000014	INDUCTOR	1	
	LB4781	J0JBC0000014	INDUCTOR	1	
	LB4782	J0JBC0000014	INDUCTOR	1	
	LB4783	J0JBC0000014	INDUCTOR	1	
	LB4784	J0JBC0000014	INDUCTOR	1	
	LB4785	J0JBC0000014	INDUCTOR	1	
	LB4786	J0JBC0000014	INDUCTOR	1	
	LB4788	J0JBC0000014	INDUCTOR	1	
	LB4789	J0JBC0000014	INDUCTOR	1	
	LB4790	J0JBC0000014	INDUCTOR	1	
	LB4791	J0JBC0000014	INDUCTOR	1	
	LB4792	J0JBC0000014	INDUCTOR	1	
	LB4793	J0JBC0000014	INDUCTOR	1	
	LB4794	J0JBC0000014	INDUCTOR	1	
	LB4795	J0JBC0000014	INDUCTOR	1	
	LB5551	J0JBC0000041	INDUCTOR	1	
	LB5552	J0JBC0000041	INDUCTOR	1	
	LB5553	J0JBC0000014	INDUCTOR	1	
			TRANSFORMERS		
△	T5501	ETS25AD1V6AG	MAIN TRANSFORMER	1	
△	T5551	G4D1A0000117	SWITCHING TRANS-FORMER	1	
			COMPONENT COMBI-NATION		
	Z4601	B3RAB0000081	REMOTE SENSOR	1	
			PHOTO COUPLER		
△	PC5501	B3PBA0000402	PHOTO COUPLER	1	
			OSCILLATORS		
	X1000	H0J245500068	CRYSTAL OSCILLA-TOR	1	
	X2002	H2D400400018	CRYSTAL OSCILLA-TOR	1	
	X2231	H0J283500018	CRYSTAL OSCILLA-TOR	1	
	X8001	H2B100500004	CRYSTAL OSCILLA-TOR	1	
			FL DISPLAY	1	
	FL4601	A2BB00000158	LCD DISPLAY	1	
			FUSE		
△	F701	K5D202BK0005	FUSE	1	

Safety	Ref. No.	Part No.	Part Name & Description	QTY	Remarks
			FUSE HOLDERS		
	ZA5501	K3GE1ZZ00001	FUSE HOLDER	1	
	ZA5502	K3GE1ZZ00001	FUSE HOLDER	1	
			IC PROTECTOR		
△	IP5501	K5H7512A0010	PROTECTOR	1	
			JACKS		
	JK2101	K1FA119E0013	HDMI (TV OUT)	1	
	JK2201	K1FA119E0013	HDMI CONNECTOR	1	
	JK2202	K1FA119E0013	HDMI (AUX 1)	1	
	JK4001	K4AK04H00001	JK AUDIO IN (TV, AUX 3)	1	
	JK4002	K2HA103B0031	JK SUBWOOFER OUT	1	
	JK4003	K2HC1YYB0033	JK AUDIO OUT (SURROUND L)	1	
	JK4004	K2HC1YYB0033	JK AUDIO OUT (SURROUND R)	1	
	JK4005	K2HC1YYB0033	JK AUDIO OUT (FRONT L)	1	
	JK4006	K2HC1YYB0033	JK AUDIO OUT (FRONT R)	1	
	JK4501	B3RAB0000056	JK DIGITAL IN OPT1 (TV IN)	1	
	JK4502	B3RAB0000056	JK DIGITAL IN OPT 2 (AUX 2)	1	
	JK4611	K2HC103A0031	JK HEADPHONE	1	
△	P5501	K2AA2B000011	AC INLET	1	
			EARTH TERMINALS		
	E5501	K9ZZ00001279	EARTH PLATE	1	
	E5502	K9ZZ00001279	EARTH PLATE	1	
	E5503	K9ZZ00001279	EARTH PLATE	1	
			CHIP JUMPERS		
	K501	D0GDR00JA017	0 1/10W	1	
	K4102	D0GBR00JA008	0 1/16W	1	
	LB4741	D0GBR00JA008	0 1/16W	1	
	LB4742	D0GBR00JA008	0 1/16W	1	
	LB4743	D0GBR00JA008	0 1/16W	1	
	LB4744	D0GBR00JA008	0 1/16W	1	
	LB4745	D0GBR00JA008	0 1/16W	1	
	LB4746	D0GBR00JA008	0 1/16W	1	
	LB4747	D0GBR00JA008	0 1/16W	1	
	LB4748	D0GBR00JA008	0 1/16W	1	
	LB4749	D0GBR00JA008	0 1/16W	1	
	LB4750	D0GBR00JA008	0 1/16W	1	
	LB4751	D0GBR00JA008	0 1/16W	1	
	LB4752	D0GBR00JA008	0 1/16W	1	
	LB4753	D0GBR00JA008	0 1/16W	1	
	LB4754	D0GBR00JA008	0 1/16W	1	
	LB4755	D0GBR00JA008	0 1/16W	1	
	LB4756	D0GBR00JA008	0 1/16W	1	
	LB4757	D0GBR00JA008	0 1/16W	1	
	LB4758	D0GBR00JA008	0 1/16W	1	
	LB4759	D0GBR00JA008	0 1/16W	1	
	LB4760	D0GBR00JA008	0 1/16W	1	
	LB4761	D0GBR00JA008	0 1/16W	1	
	LB4762	D0GBR00JA008	0 1/16W	1	
	LB4766	D0GBR00JA008	0 1/16W	1	
	LB4767	D0GBR00JA008	0 1/16W	1	
	W5011	D0GDR00JA017	0 1/10W	1	
	W5021	D0GDR00JA017	0 1/10W	1	
	W5022	D0GBR00JA008	0 1/16W	1	
			RESISTORS		
	LB4787	D0GB101JA008	100 1/16W	1	
	R1000	D0GB101JA008	100 1/16W	1	

Safety	Ref. No.	Part No.	Part Name & Description	QTY	Remarks
	R1001	D0GB102JA008	1K 1/16W	1	
	R1002	D0GB102JA008	1K 1/16W	1	
	R1003	D0GB102JA008	1K 1/16W	1	
	R1004	D0GB102JA008	1K 1/16W	1	
	R1005	D1BB2551A012	2.55K 1/16W	1	
	R1006	D0GBR00JA008	0 1/16W	1	
	R1007	D0GB330JA008	33 1/16W	1	
	R1008	D0GB330JA008	33 1/16W	1	
	R1009	D0GB330JA008	33 1/16W	1	
	R1010	D0GB330JA008	33 1/16W	1	
	R1011	D0GB330JA008	33 1/16W	1	
	R1012	D0GB332JA008	3.3K 1/16W	1	
	R1013	D0GB332JA008	3.3K 1/16W	1	
	R1014	D0GB332JA008	3.3K 1/16W	1	
	R1015	D0GBR00JA008	0 1/16W	1	
	R1016	D0GB330JA008	33 1/16W	1	
	R1017	D0GB330JA008	33 1/16W	1	
	R1018	D0GB332JA008	3.3K 1/16W	1	
	R1019	D0GB105JA008	1M 1/16W	1	
	R1020	ERJ3EKF5111V	5.11K 1/10W	1	
	R1021	D0GB330JA008	33 1/16W	1	
	R1022	D0GB104JA008	100K 1/16W	1	
	R1023	D0GB330JA008	33 1/16W	1	
	R1024	D0GB330JA008	33 1/16W	1	
	R1025	D0GBR00JA008	0 1/16W	1	
	R1027	D0GBR00JA008	0 1/16W	1	
	R1028	D0GB332JA008	3.3K 1/16W	1	
	R1029	D0GB332JA008	3.3K 1/16W	1	
	R1030	D0GB332JA008	3.3K 1/16W	1	
	R1031	D0GBR00JA008	0 1/16W	1	
	R1032	D0GBR00JA008	0 1/16W	1	
	R1033	D0GBR00JA008	0 1/16W	1	
	R1035	D0GB330JA008	33 1/16W	1	
	R1036	D0GB330JA008	33 1/16W	1	
	R1051	D0GB101JA008	100 1/16W	1	
	R1052	D0GB102JA008	1K 1/16W	1	
	R1053	D0GB101JA008	100 1/16W	1	
	R1054	D0GB101JA008	100 1/16W	1	
	R1055	D0GB101JA008	100 1/16W	1	
	R2001	D0GB102JA008	1K 1/16W	1	
	R2002	D0GB104JA008	100K 1/16W	1	
	R2003	D0GB182JA008	1.8K 1/16W	1	
	R2004	D0GB101JA008	100 1/16W	1	
	R2005	D0GB103JA008	10K 1/16W	1	
	R2006	D0GB101JA008	100 1/16W	1	
	R2007	D0GB470JA008	47 1/16W	1	
	R2008	D0GB470JA008	47 1/16W	1	
	R2009	D0GB103JA008	10K 1/16W	1	
	R2010	D0GB101JA008	100 1/16W	1	
	R2011	D0GB101JA008	100 1/16W	1	
	R2012	D0GB101JA008	100 1/16W	1	
	R2013	D0GB101JA008	100 1/16W	1	
	R2014	D0GB473JA008	47K 1/16W	1	
	R2015	D0GB473JA008	47K 1/16W	1	
	R2016	D0GB472JA008	4.7K 1/16W	1	
	R2017	D0GB472JA008	4.7K 1/16W	1	
	R2018	D0GB472JA008	4.7K 1/16W	1	
	R2019	D0GB101JA008	100 1/16W	1	
	R2020	D0GB101JA008	100 1/16W	1	
	R2021	D0GB101JA008	100 1/16W	1	
	R2022	D0GB103JA008	10K 1/16W	1	
	R2023	D0GB470JA008	47 1/16W	1	
	R2024	D0GB470JA008	47 1/16W	1	
	R2025	D0GB101JA008	100 1/16W	1	
	R2026	D0GB101JA008	100 1/16W	1	
	R2027	D0GB182JA008	1.8K 1/16W	1	
	R2028	D0GB182JA008	1.8K 1/16W	1	
	R2029	D0GB102JA008	1K 1/16W	1	
	R2030	D0GB102JA008	1K 1/16W	1	
	R2031	D0GB472JA008	4.7K 1/16W	1	
	R2032	D0GB472JA008	4.7K 1/16W	1	
	R2033	D0GB101JA008	100 1/16W	1	
	R2034	D0GB101JA008	100 1/16W	1	

Safety	Ref. No.	Part No.	Part Name & Description	QTY	Remarks
	R2035	D0GB101JA008	100 1/16W	1	
	R2036	D0GB101JA008	100 1/16W	1	
	R2037	D0GB101JA008	100 1/16W	1	
	R2038	D0GB101JA008	100 1/16W	1	
	R2039	D0GB101JA008	100 1/16W	1	
	R2040	D0GB101JA008	100 1/16W	1	
	R2041	D0GB103JA008	10K 1/16W	1	
	R2042	D0GB472JA008	4.7K 1/16W	1	
	R2043	D0GB472JA008	4.7K 1/16W	1	
	R2044	D0GB151JA008	150 1/16W	1	
	R2045	D0GB151JA008	150 1/16W	1	
	R2046	D0GB101JA008	100 1/16W	1	
	R2047	D0GB101JA008	100 1/16W	1	
	R2048	D0GB101JA008	100 1/16W	1	
	R2049	D0GB101JA008	100 1/16W	1	
	R2050	D0GB101JA008	100 1/16W	1	
	R2051	D0GB101JA008	100 1/16W	1	
	R2052	D0GB101JA008	100 1/16W	1	
	R2053	D0GBR00JA008	0 1/16W	1	
	R2054	D0GBR00JA008	0 1/16W	1	
	R2055	D0GBR00JA008	0 1/16W	1	
	R2056	D0GBR00JA008	0 1/16W	1	
	R2057	D0GBR00JA008	0 1/16W	1	
	R2058	D0GB102JA008	1K 1/16W	1	
	R2059	D0GB153JA008	15K 1/16W	1	
	R2060	D0GB153JA008	15K 1/16W	1	
	R2061	D0GB153JA008	15K 1/16W	1	
	R2062	D0GB183JA008	18K 1/16W	1	
	R2065	D0GB102JA008	1K 1/16W	1	
	R2101	D0GB102JA008	1K 1/16W	1	
	R2102	D0GB821JA008	820 1/16W	1	
	R2103	D0GB332JA008	3.3K 1/16W	1	
	R2104	D0GB273JA008	27K 1/16W	1	
	R2105	D0GB221JA007	220 1/10W	1	
	R2106	D0GB103JA008	10K 1/16W	1	
	R2107	D0GB224JA008	220K 1/16W	1	
	R2108	D0GB104JA008	100K 1/16W	1	
	R2109	D0GB103JA008	10K 1/16W	1	
	R2110	D0GB182JA008	1.8K 1/16W	1	
	R2111	D0GB101JA008	100 1/16W	1	
	R2112	D0GB182JA008	1.8K 1/16W	1	
	R2113	D0GB104JA008	100K 1/16W	1	
	R2114	D0GB473JA008	47K 1/16W	1	
	R2115	D0GB225JA008	2.2M 1/16W	1	
	R2116	D0GB473JA008	47K 1/16W	1	
	R2117	D0GB472JA008	4.7K 1/16W	1	
	R2118	D0GB104JA008	100K 1/16W	1	
	R2120	D0GB682JA008	6.8K 1/16W	1	
	R2121	D0GB682JA008	6.8K 1/16W	1	
	R2122	D0GB470JA008	47 1/16W	1	
	R2123	D0GB470JA008	47 1/16W	1	
	R2124	D1BB6980A006	698 1/16W	1	
	R2125	D0GB472JA008	4.7K 1/16W	1	
	R2126	D0GB472JA008	4.7K 1/16W	1	
	R2128	D0GB102JA008	1K 1/16W	1	
	R2129	D0GB473JA008	47K 1/16W	1	
	R2130	D0GB330JA008	33 1/16W	1	
	R2131	D0GB330JA008	33 1/16W	1	
	R2132	D0GB330JA008	33 1/16W	1	
	R2133	D0GB330JA008	33 1/16W	1	
	R2151	D0GBR00JA008	0 1/16W	1	
	R2152	D0GBR00JA008	0 1/16W	1	
	R2153	D0GBR00JA008	0 1/16W	1	
	R2154	D0GBR00JA008	0 1/16W	1	
	R2201	D0GBR00JA008	0 1/16W	1	
	R2203	D0GB104JA008	100K 1/16W	1	
	R2204	D0GB473JA008	47K 1/16W	1	
	R2205	D0GBR00JA008	0 1/16W	1	
	R2207	D0GB104JA008	100K 1/16W	1	
	R2208	D0GB473JA008	47K 1/16W	1	
	R2209	D0GB472JA008	4.7K 1/16W	1	
	R2210	D0GB223JA008	22K 1/16W	1	
	R2213	ERJ3GGEYJ751V	750 1/10W	1	

Safety	Ref. No.	Part No.	Part Name & Description	QTY	Remarks
	R2215	D0GB470JA008	47 1/16W	1	
	R2216	D0GB470JA008	47 1/16W	1	
	R2217	D0GB102JA008	1K 1/16W	1	
	R2218	D0GB472JA008	4.7K 1/16W	1	
	R2219	D0GB472JA008	4.7K 1/16W	1	
	R2220	D0GB330JA008	33 1/16W	1	
	R2221	D0GB330JA008	33 1/16W	1	
	R2222	D0GB473JA008	47K 1/16W	1	
	R2223	D0GB823JA008	82K 1/16W	1	
	R2224	D0GB473JA008	47K 1/16W	1	
	R2225	D0GB823JA008	82K 1/16W	1	
	R2237	D0GB823JA008	82K 1/16W	1	
	R2238	D0GB223JA008	22K 1/16W	1	
	R2239	D0GB223JA008	22K 1/16W	1	
	R2250	D0GB470JA008	47 1/16W	1	
	R2251	D0GB470JA008	47 1/16W	1	
	R2252	D0GB330JA008	33 1/16W	1	
	R2255	D0GB470JA008	47 1/16W	1	
	R2256	D0GB470JA008	47 1/16W	1	
	R2257	D0GB182JA008	1.8K 1/16W	1	
	R2258	D0GB182JA008	1.8K 1/16W	1	
	R2259	D0GB330JA008	33 1/16W	1	
	R2260	D0GB330JA008	33 1/16W	1	
	R2261	D0GB330JA008	33 1/16W	1	
	R2262	D0GB821JA008	820 1/16W	1	
	R2263	D0GB105JA008	1M 1/16W	1	
	R2264	D0GB472JA008	4.7K 1/16W	1	
	R2265	D0GB220JA008	22 1/16W	1	
	R2266	D0GB102JA008	1K 1/16W	1	
	R2267	D0GB472JA008	4.7K 1/16W	1	
	R2269	D0GB473JA008	47K 1/16W	1	
	R2278	D0GB330JA008	33 1/16W	1	
	R4001	D0GB102JA008	1K 1/16W	1	
	R4002	D0GB102JA008	1K 1/16W	1	
	R4003	D0GB102JA008	1K 1/16W	1	
	R4004	D0GB102JA008	1K 1/16W	1	
	R4031	D0GB473JA008	47K 1/16W	1	
	R4032	D0GB473JA008	47K 1/16W	1	
	R4033	D0GB473JA008	47K 1/16W	1	
	R4034	D0GB473JA008	47K 1/16W	1	
	R4036	D0GB472JA008	4.7K 1/16W	1	
	R4061	D0GB101JA008	100 1/16W	1	
	R4062	D0GB101JA008	100 1/16W	1	
	R4101	D0GB682JA008	6.8K 1/16W	1	
	R4102	D0GB682JA008	6.8K 1/16W	1	
	R4103	D0GB472JA008	4.7K 1/16W	1	
	R4104	D0GB472JA008	4.7K 1/16W	1	
	R4105	D0GB104JA008	100K 1/16W	1	
	R4106	D0GB104JA008	100K 1/16W	1	
	R4107	D0GB272JA008	2.7K 1/16W	1	
	R4108	D0GB272JA008	2.7K 1/16W	1	
	R4109	D0GB272JA008	2.7K 1/16W	1	
	R4110	D0GB272JA008	2.7K 1/16W	1	
	R4111	D0GB272JA008	2.7K 1/16W	1	
	R4112	D0GB272JA008	2.7K 1/16W	1	
	R4113	D0GB224JA008	220K 1/16W	1	
	R4114	D0GB224JA008	220K 1/16W	1	
	R4115	D0GB224JA008	220K 1/16W	1	
	R4116	D0GB224JA008	220K 1/16W	1	
	R4117	D0GB562JA008	5.6K 1/16W	1	
	R4118	D0GB472JA008	4.7K 1/16W	1	
	R4201	D0GB182JA008	1.8K 1/16W	1	
	R4202	D0GB182JA008	1.8K 1/16W	1	
	R4203	D0GB182JA008	1.8K 1/16W	1	
	R4204	D0GB182JA008	1.8K 1/16W	1	
	R4205	D0GB562JA008	5.6K 1/16W	1	
	R4206	D0GB562JA008	5.6K 1/16W	1	
	R4207	D0GB682JA008	6.8K 1/16W	1	
	R4208	D0GB682JA008	6.8K 1/16W	1	
	R4209	D0GB682JA008	6.8K 1/16W	1	
	R4210	D0GB682JA008	6.8K 1/16W	1	
	R4211	D0GB562JA008	5.6K 1/16W	1	
	R4212	D0GB562JA008	5.6K 1/16W	1	

Safety	Ref. No.	Part No.	Part Name & Description	QTY	Remarks
	R4221	D0GB182JA008	1.8K 1/16W	1	
	R4222	D0GB182JA008	1.8K 1/16W	1	
	R4223	D0GB182JA008	1.8K 1/16W	1	
	R4224	D0GB182JA008	1.8K 1/16W	1	
	R4225	D0GB562JA008	5.6K 1/16W	1	
	R4226	D0GB562JA008	5.6K 1/16W	1	
	R4227	D0GB682JA008	6.8K 1/16W	1	
	R4228	D0GB682JA008	6.8K 1/16W	1	
	R4229	D0GB682JA008	6.8K 1/16W	1	
	R4230	D0GB682JA008	6.8K 1/16W	1	
	R4231	D0GB562JA008	5.6K 1/16W	1	
	R4232	D0GB562JA008	5.6K 1/16W	1	
	R4241	D0GB182JA008	1.8K 1/16W	1	
	R4242	D0GB392JA008	3.9K 1/16W	1	
	R4243	D0GB182JA008	1.8K 1/16W	1	
	R4244	D0GB392JA008	3.9K 1/16W	1	
	R4245	D0GB562JA008	5.6K 1/16W	1	
	R4246	D0GB562JA008	5.6K 1/16W	1	
	R4247	D0GB682JA008	6.8K 1/16W	1	
	R4248	D0GB123JA008	12K 1/16W	1	
	R4249	D0GB682JA008	6.8K 1/16W	1	
	R4250	D0GB123JA008	12K 1/16W	1	
	R4251	D0GB562JA008	5.6K 1/16W	1	
	R4252	D0GB562JA008	5.6K 1/16W	1	
	R4256	D0GB102JA008	1K 1/16W	1	
	R4301	D0GB222JA008	2.2K 1/16W	1	
	R4302	D0GB222JA008	2.2K 1/16W	1	
	R4303	D0GB222JA008	2.2K 1/16W	1	
	R4304	D0GB222JA008	2.2K 1/16W	1	
	R4305	D0GB391JA008	390 1/16W	1	
	R4306	D0GB391JA008	390 1/16W	1	
	R4307	D0GB392JA008	3.9K 1/16W	1	
	R4308	D0GB392JA008	3.9K 1/16W	1	
	R4309	D0GB473JA008	47K 1/16W	1	
	R4310	D0GB473JA008	47K 1/16W	1	
	R4311	D0GB102JA008	1K 1/16W	1	
	R4312	D0GB102JA008	1K 1/16W	1	
	R4313	D0GB102JA008	1K 1/16W	1	
	R4314	D0GB102JA008	1K 1/16W	1	
	R4315	D0GB101JA008	100 1/16W	1	
	R4316	D0GB101JA008	100 1/16W	1	
	R4317	D0GB473JA008	47K 1/16W	1	
	R4318	D0GB473JA008	47K 1/16W	1	
	R4319	D0GB101JA008	100 1/16W	1	
	R4320	D0GB103JA008	10K 1/16W	1	
	R4321	D0GB222JA008	2.2K 1/16W	1	
	R4322	D0GB222JA008	2.2K 1/16W	1	
	R4325	D0GB682JA008	6.8K 1/16W	1	
	R4326	D0GB682JA008	6.8K 1/16W	1	
	R4327	D0GB222JA008	2.2K 1/16W	1	
	R4328	D0GB222JA008	2.2K 1/16W	1	
	R4329	D0GB473JA008	47K 1/16W	1	
	R4330	D0GB473JA008	47K 1/16W	1	
	R4331	D0GB102JA008	1K 1/16W	1	
	R4332	D0GB102JA008	1K 1/16W	1	
	R4333	D0GB102JA008	1K 1/16W	1	
	R4334	D0GB102JA008	1K 1/16W	1	
	R4335	D0GB101JA008	100 1/16W	1	
	R4336	D0GB101JA008	100 1/16W	1	
	R4337	D0GB473JA008	47K 1/16W	1	
	R4338	D0GB473JA008	47K 1/16W	1	
	R4342	D0GB102JA008	1K 1/16W	1	
	R4345	D0GB153JA008	15K 1/16W	1	
	R4346	D0GB391JA008	390 1/16W	1	
	R4347	D0GB182JA008	1.8K 1/16W	1	
	R4348	D0GB472JA008	4.7K 1/16W	1	
	R4350	D0GB473JA008	47K 1/16W	1	
	R4352	D0GB102JA008	1K 1/16W	1	
	R4353	D0GB102JA008	1K 1/16W	1	
	R4354	D0GB102JA008	1K 1/16W	1	
	R4361	D0GB102JA008	1K 1/16W	1	
	R4362	D0GB102JA008	1K 1/16W	1	
	R4365	D0GB391JA008	390 1/16W	1	

Safety	Ref. No.	Part No.	Part Name & Description	QTY	Remarks
	R4366	D0GB391JA008	390 1/16W	1	
	R4367	D0GB103JA008	10K 1/16W	1	
	R4368	D0GB103JA008	10K 1/16W	1	
	R4369	D0GB473JA008	47K 1/16W	1	
	R4370	D0GB473JA008	47K 1/16W	1	
	R4371	D0GB820JA008	82 1/16W	1	
	R4372	D0GB820JA008	82 1/16W	1	
	R4373	D0GB820JA008	82 1/16W	1	
	R4374	D0GB820JA008	82 1/16W	1	
	R4375	D0GB820JA008	82 1/16W	1	
	R4376	D0GB820JA008	82 1/16W	1	
	R4377	D0GB820JA008	82 1/16W	1	
	R4378	D0GB820JA008	82 1/16W	1	
	R4379	D0GB820JA008	82 1/16W	1	
	R4380	D0GB820JA008	82 1/16W	1	
	R4381	D0GB820JA008	82 1/16W	1	
	R4382	D0GB820JA008	82 1/16W	1	
	R4383	D0GB102JA008	1K 1/16W	1	
	R4384	D0GB102JA008	1K 1/16W	1	
	R4385	D0GB102JA008	1K 1/16W	1	
	R4386	D0GB102JA008	1K 1/16W	1	
	R4391	D0GB103JA008	10K 1/16W	1	
	R4392	D0GB103JA008	10K 1/16W	1	
	R4393	D0GB474JA008	470K 1/16W	1	
	R4394	D0GB222JA008	2.2K 1/16W	1	
	R4395	D0GB103JA008	10K 1/16W	1	
	R4396	D0GB474JA008	470K 1/16W	1	
	R4397	D0GB102JA008	1K 1/16W	1	
	R4501	D0GBR00JA008	0 1/16W	1	
	R4502	D0GBR00JA008	0 1/16W	1	
	R4601	ERJ3GEYJ114V	110K 1/10W	1	
	R4602	D0GB101JA008	100 1/16W	1	
	R4603	D0GB101JA008	100 1/16W	1	
	R4604	D0GB102JA008	1K 1/16W	1	
	R4605	D0GB104JA008	100K 1/16W	1	
	R4607	ERJ6GEYJ271V	270 1/8W	1	
	R4608	ERJ6GEYJ271V	270 1/8W	1	
	R4609	D0GBR00JA008	0 1/16W	1	
	R4701	D0GB472JA008	4.7K 1/16W	1	
	R4702	D0GB472JA008	4.7K 1/16W	1	
	R4703	D0GB472JA008	4.7K 1/16W	1	
	R4704	D0GB472JA008	4.7K 1/16W	1	
	R4705	D0GB272JA008	2.7K 1/16W	1	
	R4706	D0GB272JA008	2.7K 1/16W	1	
	R4707	D0GB272JA008	2.7K 1/16W	1	
	R4708	D0GB272JA008	2.7K 1/16W	1	
	R4709	D0GB101JA008	100 1/16W	1	
	R4710	D0GB101JA008	100 1/16W	1	
	R4711	D0GB101JA008	100 1/16W	1	
	R4712	D0GB101JA008	100 1/16W	1	
	R4713	D0GB101JA008	100 1/16W	1	
	R4714	D0GB101JA008	100 1/16W	1	
	R4715	D0GB101JA008	100 1/16W	1	
	R4716	D0GB101JA008	100 1/16W	1	
	R5500	ERJ8GEYJ105V	1M 1/4W	1	
	R5501	ERJ8GEYJ105V	1M 1/4W	1	
	R5503	D0GB153JA008	15K 1/16W	1	
	R5504	ERJ6GEYJ274V	270K 1/8W	1	
	R5505	ERJ1TYJ204U	200K 1W	1	
	R5506	D0GB220JA008	22 1/16W	1	
	R5507	D0GD102JA017	1K 1/10W	1	
	R5508	D0GD222JA017	2.2K 1/10W	1	
	R5509	ERJ3RBD393V	39K 1/16W	1	
	R5510	ERJ3RBD2701V	27 1/16W	1	
	R5511	D0GD472JA017	4.7K 1/10W	1	
	R5512	ERJ3RBD333V	33K 1/16W	1	
	R5513	D0GB473JA008	47K 1/16W	1	
	R5514	ERJ3RBD103V	10K 1/16W	1	
	R5515	ERJ3RBD393V	39K 1/16W	1	
	R5516	ERJ3RBD563V	56K 1/16W	1	
	R5517	D0GB473JA008	47K 1/16W	1	
	R5518	ERJ3RBD103V	10K 1/16W	1	
	R5519	ERJ3RBD2701V	27 1/16W	1	

Safety	Ref. No.	Part No.	Part Name & Description	QTY	Remarks
	R5520	ERJ3RBD153V	15K 1/16W	1	
	R5521	DOGD472JA017	4.7K 1/10W	1	
	R5522	DOGD472JA017	4.7K 1/10W	1	
	R5523	DOGD472JA017	4.7K 1/10W	1	
	R5524	DOGD472JA017	4.7K 1/10W	1	
	R5525	DOGD472JA017	4.7K 1/10W	1	
	R5526	DOGD152JA017	1.5K 1/10W	1	
	R5527	DOGD152JA017	1.5K 1/10W	1	
	R5528	DOGB471JA008	470 1/16W	1	
	R5529	DOGB272JA008	2.7K 1/16W	1	
	R5530	DOGB272JA008	2.7K 1/16W	1	
	R5531	DOGB100JA008	10 1/16W	1	
	R5551	DOGB562JA008	5.6K 1/16W	1	
	R5552	DOGB470JA008	47 1/16W	1	
	R5553	ERJ6GEYJ271V	270 1/8W	1	
	R5554	DOGB473JA008	47K 1/16W	1	
	R5561	ERJ3RBD103V	10K 1/16W	1	
	R5562	ERJ3RBD331V	330 1/16W	1	
	R5563	ERJ3RBD103V	10K 1/16W	1	
	R5564	ERJ3RBD103V	10K 1/16W	1	
	R5565	ERJ3RBD471V	470 1/16W	1	
	R5566	ERJ3RBD223V	22K 1/16W	1	
	R5567	DOGB473JA008	47K 1/16W	1	
	R5571	DOGB103JA008	10K 1/16W	1	
	R5572	DOGB473JA008	47K 1/16W	1	
	R5573	ERJ3RBD393V	39K 1/16W	1	
	R5574	DOGB122JA008	1.2K 1/16W	1	
	R5575	ERJ3RBD103V	10K 1/16W	1	
	R5581	DOGB393JA008	39K 1/16W	1	
	R5582	DOGB153JA008	15K 1/16W	1	
	R5591	DOGB103JA008	10K 1/16W	1	
	R5592	DOGB102JA008	1K 1/16W	1	
	R5593	DOGB103JA008	10K 1/16W	1	
	R5594	DOGB472JA008	4.7K 1/16W	1	
	R5595	DOGB103JA008	10K 1/16W	1	
	R5596	DOGBR00JA008	0 1/16W	1	
	R8001	DOGB101JA008	100 1/16W	1	
	R8002	DOGB101JA008	100 1/16W	1	
	R8003	DOGB101JA008	100 1/16W	1	
	R8004	DOGB473JA008	47K 1/16W	1	
	R8005	DOGB101JA008	100 1/16W	1	
	R8006	DOGB101JA008	100 1/16W	1	
	R8008	DOGB103JA008	10K 1/16W	1	
	R8009	DOGB103JA008	10K 1/16W	1	
	R8012	DOGB104JA008	100K 1/16W	1	
	R8013	DOGB681JA008	680 1/16W	1	
	R8017	DOGB103JA008	10K 1/16W	1	
	R8020	DOGB104JA008	100K 1/16W	1	
	R8021	DOGB101JA008	100 1/16W	1	
	R8023	DOGB101JA008	100 1/16W	1	
	R8027	DOGB101JA008	100 1/16W	1	
	R8031	DOGB101JA008	100 1/16W	1	
	R8032	DOGB101JA008	100 1/16W	1	
	R8033	DOGB101JA008	100 1/16W	1	
	R8034	DOGB101JA008	100 1/16W	1	
	R8035	DOGB102JA008	1K 1/16W	1	
	R8036	DOGB102JA008	1K 1/16W	1	
	R8037	DOGB102JA008	1K 1/16W	1	
	R8038	DOGB102JA008	1K 1/16W	1	
	R8039	DOGB102JA008	1K 1/16W	1	
	R8041	DOGB103JA008	10K 1/16W	1	
	R8043	DOGB102JA008	1K 1/16W	1	
	R8044	DOGB102JA008	1K 1/16W	1	
	R8046	DOGB103JA008	10K 1/16W	1	
	R8047	DOGB102JA008	1K 1/16W	1	
	R8048	DOGB102JA008	1K 1/16W	1	
	R8049	DOGB102JA008	1K 1/16W	1	
	R8050	DOGB101JA008	100 1/16W	1	
	R8054	DOGB101JA008	100 1/16W	1	
	R8055	DOGB101JA008	100 1/16W	1	
	R8056	DOGB101JA008	100 1/16W	1	
	R8057	DOGB101JA008	100 1/16W	1	
	R8059	DOGB101JA008	100 1/16W	1	

Safety	Ref. No.	Part No.	Part Name & Description	QTY	Remarks
	R8060	DOGB101JA008	100 1/16W	1	
	R8061	DOGB101JA008	100 1/16W	1	
	R8069	DOGBR00JA008	0 1/16W	1	
	R8070	DOGB102JA008	1K 1/16W	1	
	R8071	DOGB102JA008	1K 1/16W	1	
	R8072	DOGB102JA008	1K 1/16W	1	
	R8073	DOGBR00JA008	0 1/16W	1	
	R8074	DOGB102JA008	1K 1/16W	1	
	R8075	DOGB102JA008	1K 1/16W	1	
	R8076	DOGB102JA008	1K 1/16W	1	
	R8077	DOGB102JA008	1K 1/16W	1	
	R8078	DOGB102JA008	1K 1/16W	1	
	R8079	DOGBR00JA008	0 1/16W	1	
	R8081	DOGB153JA008	15K 1/16W	1	
	R8082	DOGB153JA008	15K 1/16W	1	
	R8083	DOGB103JA008	10K 1/16W	1	
	R8084	DOGB103JA008	10K 1/16W	1	
	R8085	DOGB152JA008	1.5K 1/16W	1	
	R8087	DOGB224JA008	220K 1/16W	1	
	R8088	DOGB103JA008	10K 1/16W	1	
	R8089	DOGB473JA008	47K 1/16W	1	
	R8090	DOGB473JA008	47K 1/16W	1	
	R8091	DOGB224JA008	220K 1/16W	1	
	R8092	DOGB103JA008	10K 1/16W	1	
	R8093	DOGB103JA008	10K 1/16W	1	
	R8094	DOGB102JA008	1K 1/16W	1	
	R8095	DOGB102JA008	1K 1/16W	1	
	R8097	DOGB103JA008	10K 1/16W	1	
	R8098	DOGB682JA008	6.8K 1/16W	1	
	R8101	DOGB472JA008	4.7K 1/16W	1	
	R8102	DOGB103JA008	10K 1/16W	1	
	R8103	DOGB103JA008	10K 1/16W	1	
	R8104	DOGB473JA008	47K 1/16W	1	
	R8108	ERJ3RBD153V	15K 1/16W	1	
	R8109	ERJ3RBD393V	39K 1/16W	1	
	R8111	DOGB224JA008	220K 1/16W	1	
	R8112	DOGB224JA008	220K 1/16W	1	
	RX1001	D1H83304A024	CHIP RESISTOR	1	
	RX1002	D1H83304A024	CHIP RESISTOR	1	
	RX1003	D1H83304A024	CHIP RESISTOR	1	
	RX1004	D1H83304A024	CHIP RESISTOR	1	
	RX1005	D1H83304A024	CHIP RESISTOR	1	
	RX1006	D1H83304A024	CHIP RESISTOR	1	
	RX1007	D1H83304A024	CHIP RESISTOR	1	
	RX1008	D1H83304A024	CHIP RESISTOR	1	
	RX2101	D1H83304A024	CHIP RESISTOR	1	
	RX2231	D1H83304A024	CHIP RESISTOR	1	
	RX2232	D1H83304A024	CHIP RESISTOR	1	
	RX2233	D1H83304A024	CHIP RESISTOR	1	
	RX2234	D1H83304A024	CHIP RESISTOR	1	
	RX2235	D1H83304A024	CHIP RESISTOR	1	
	RX2236	D1H83304A024	CHIP RESISTOR	1	
	RX2237	D1H83304A024	CHIP RESISTOR	1	
	RX2238	D1H83304A024	CHIP RESISTOR	1	
	RX2239	D1H83304A024	CHIP RESISTOR	1	
	RX2240	D1H83304A024	CHIP RESISTOR	1	
	RX2241	D1H83304A024	CHIP RESISTOR	1	
			CAPACITORS		
	C1000	F1H1H101A230	100pF 50V	1	
	C1006	F1H1H101A230	100pF 50V	1	
	C1007	F1H1H101A230	100pF 50V	1	
	C1008	F1H1H101A230	100pF 50V	1	
	C1009	F1H1H101A230	100pF 50V	1	
	C1010	F1H1H101A230	100pF 50V	1	
	C1011	F1H1C104A008	0.1uF 16V	1	
	C1012	F1H1H102A219	1000pF 50V	1	
	C1013	F1H1H101A230	100pF 50V	1	
	C1014	F1H1H101A230	100pF 50V	1	
	C1015	F1H1H101A230	100pF 50V	1	
	C1016	F1H1H101A230	100pF 50V	1	
	C1018	F1H1H272A013	2700pF 50V	1	

Safety	Ref. No.	Part No.	Part Name & Description	QTY	Remarks
	C1019	F1H1H272A013	2700pF 50V	1	
	C1020	F1H1C104A008	0.1uF 16V	1	
	C1021	F1H1C104A008	0.1uF 16V	1	
	C1022	F1H1C104A008	0.1uF 16V	1	
	C1023	F1H1H222A219	2200pF 50V	1	
	C1024	F1H1C473A088	0.047uF 16V	1	
	C1025	F1H1C104A008	0.1uF 16V	1	
	C1026	F1H1H103A219	0.01uF 50V	1	
	C1027	F1H1C104A008	0.1uF 16V	1	
	C1028	F1H1H102A219	1000pF 50V	1	
	C1029	F1H1C104A008	0.1uF 16V	1	
	C1030	F1H1C104A008	0.1uF 16V	1	
	C1031	F1H1H330A230	33pF 50V	1	
	C1032	F1H1H330A230	33pF 50V	1	
	C1033	F1H1C104A008	0.1uF 16V	1	
	C1035	F1H1C104A008	0.1uF 16V	1	
	C1036	F1H1C104A008	0.1uF 16V	1	
	C1037	F1H0J1050013	1uF 6.3V	1	
	C1038	F1J1A106A043	10uF 10V	1	
	C1039	F1H1C104A008	0.1uF 16V	1	
	C1040	F1H1C104A008	0.1uF 16V	1	
	C1041	F1H1C104A008	0.1uF 16V	1	
	C1042	F1H1C104A008	0.1uF 16V	1	
	C1043	F1H1C104A008	0.1uF 16V	1	
	C1044	F1H1C104A008	0.1uF 16V	1	
	C1045	F1J1A106A043	10uF 10V	1	
	C1048	F1H1H103A219	0.01uF 50V	1	
	C1049	F1J1A106A043	10uF 10V	1	
	C1050	F1J1A106A043	10uF 10V	1	
	C1051	EEEEES4R7SR	4.7uF 25V	1	
	C1052	EEEEJA101SP	100uF 6.3V	1	
	C1053	EEEC1A100SR	10uF 16V	1	
	C1054	F1J1A106A043	10uF 10V	1	
	C1055	F1J1A106A043	10uF 10V	1	
	C1056	F1J1A106A043	10uF 10V	1	
	C1057	F1J1A106A043	10uF 10V	1	
	C1058	F1J1A106A043	10uF 10V	1	
	C1059	F1H1C104A008	0.1uF 16V	1	
	C1060	F1J1A106A043	10uF 10V	1	
	C1062	F1H1C104A008	0.1uF 16V	1	
	C1063	F1H1C104A008	0.1uF 16V	1	
	C1064	F1H1C104A008	0.1uF 16V	1	
	C1065	F1H1C104A008	0.1uF 16V	1	
	C1066	F1H1C104A008	0.1uF 16V	1	
	C1067	F1H1C104A008	0.1uF 16V	1	
	C1068	F1H1C104A008	0.1uF 16V	1	
	C1069	F1H1C104A008	0.1uF 16V	1	
	C1070	F1H1C104A008	0.1uF 16V	1	
	C1071	F1H1C104A008	0.1uF 16V	1	
	C1072	F1H1C104A008	0.1uF 16V	1	
	C1073	F1H1C104A008	0.1uF 16V	1	
	C1074	F1H1C104A008	0.1uF 16V	1	
	C1075	F1H1C104A008	0.1uF 16V	1	
	C1076	F1J1A106A043	10uF 10V	1	
	C1077	F1J1A106A043	10uF 10V	1	
	C1080	F1J1A106A043	10uF 10V	1	
	C1081	F1J1A106A043	10uF 10V	1	
	C1082	F1H1H103A219	0.01uF 50V	1	
	C1083	F1H1H103A219	0.01uF 50V	1	
	C1084	F1H1H103A219	0.01uF 50V	1	
	C1085	F1H1H103A219	0.01uF 50V	1	
	C1086	F1H1H103A219	0.01uF 50V	1	
	C1087	F1H1H103A219	0.01uF 50V	1	
	C2001	F1H1C104A042	0.1uF 16V	1	
	C2002	F1H0J1050013	1uF 6.3V	1	
	C2003	F1H1H103A219	0.01uF 50V	1	
	C2004	F1H1H102A219	1000pF 50V	1	
	C2005	F1H1C104A042	0.1uF 16V	1	
	C2006	F1H1H103A219	0.01uF 50V	1	
	C2007	F1H1C104A042	0.1uF 16V	1	
	C2008	F1H1C104A042	0.1uF 16V	1	
	C2009	F1H1C104A042	0.1uF 16V	1	
	C2010	F1H1H102A219	1000pF 50V	1	

Safety	Ref. No.	Part No.	Part Name & Description	QTY	Remarks
	C2011	EEEEJA101SP	100uF 6.3V	1	
	C2012	F1H1H102A219	1000pF 50V	1	
	C2013	F1H0J1050013	1uF 6.3V	1	
	C2014	EEEEJA101SP	100uF 6.3V	1	
	C2015	F1H0J1050013	1uF 6.3V	1	
	C2016	F1H0J1050013	1uF 6.3V	1	
	C2017	F1H0J1050013	1uF 6.3V	1	
	C2018	F1H1H103A219	0.01uF 50V	1	
	C2019	F1H0J1050013	1uF 6.3V	1	
	C2101	F1H0J1050013	1uF 6.3V	1	
	C2102	F1H1H331A004	330pF 50V	1	
	C2103	F1H1H221A792	220pF 50V	1	
	C2104	F1J1A106A043	10uF 10V	1	
	C2105	F1J1A106A043	10uF 10V	1	
	C2106	F1J1A106A043	10uF 10V	1	
	C2107	F1H1C104A042	0.1uF 16V	1	
	C2108	F1J1A106A043	10uF 10V	1	
	C2109	F1H1H102A219	1000pF 50V	1	
	C2110	F1H1H102A219	1000pF 50V	1	
	C2111	F1H1H102A219	1000pF 50V	1	
	C2112	F1H1H102A219	1000pF 50V	1	
	C2113	F1H1C104A042	0.1uF 16V	1	
	C2114	F1J1A106A043	10uF 10V	1	
	C2115	F1H1C104A042	0.1uF 16V	1	
	C2116	F1H1C104A042	0.1uF 16V	1	
	C2117	F1H1H102A219	1000pF 50V	1	
	C2118	F1H1C104A042	0.1uF 16V	1	
	C2119	F1H1C104A042	0.1uF 16V	1	
	C2120	F1H1C104A042	0.1uF 16V	1	
	C2121	F1H1C104A042	0.1uF 16V	1	
	C2122	F1H1C104A042	0.1uF 16V	1	
	C2123	F1J1A106A043	10uF 10V	1	
	C2124	F1J1A106A043	10uF 10V	1	
	C2125	F1H1C104A042	0.1uF 16V	1	
	C2126	F1H1C104A042	0.1uF 16V	1	
	C2127	EEEEGA331WP	330uF 4V	1	
	C2128	F1H1C104A042	0.1uF 16V	1	
	C2201	F1H1C104A042	0.1uF 16V	1	
	C2202	F1H1C104A042	0.1uF 16V	1	
	C2203	F1H1H102A219	1000pF 50V	1	
	C2204	F1H1H102A219	1000pF 50V	1	
	C2205	F1H1H102A219	1000pF 50V	1	
	C2206	F1H1H102A219	1000pF 50V	1	
	C2207	F1H1H102A219	1000pF 50V	1	
	C2208	F1H1C104A042	0.1uF 16V	1	
	C2209	F1H1C104A042	0.1uF 16V	1	
	C2210	F1H1C104A042	0.1uF 16V	1	
	C2211	F1H1C104A042	0.1uF 16V	1	
	C2212	F1H1C104A042	0.1uF 16V	1	
	C2213	F1H1C104A042	0.1uF 16V	1	
	C2214	F1J1A106A043	10uF 10V	1	
	C2215	F1J1A106A043	10uF 10V	1	
	C2216	F1H1C104A042	0.1uF 16V	1	
	C2217	F1H1C104A042	0.1uF 16V	1	
	C2218	F1J1A106A043	10uF 10V	1	
	C2219	F1H1H102A219	1000pF 50V	1	
	C2220	F1H1C104A042	0.1uF 16V	1	
	C2221	F1H1C104A042	0.1uF 16V	1	
	C2222	F1H1C104A042	0.1uF 16V	1	
	C2223	F1H1C104A042	0.1uF 16V	1	
	C2224	F1H0J1050013	1uF 6.3V	1	
	C2233	F1J1A106A043	10uF 10V	1	
	C2234	F1J1A106A043	10uF 10V	1	
	C2235	F1H0J1050013	1uF 6.3V	1	
	C2236	F1H1C104A042	0.1uF 16V	1	
	C2237	F1H1C104A042	0.1uF 16V	1	
	C2238	F1H1C104A042	0.1uF 16V	1	
	C2239	F1H1C104A042	0.1uF 16V	1	
	C2240	F1H1C104A042	0.1uF 16V	1	
	C2241	F1H0J1050013	1uF 6.3V	1	
	C2242	F1H1C104A042	0.1uF 16V	1	
	C2243	F1H1C104A042	0.1uF 16V	1	
	C2244	F1H1C104A042	0.1uF 16V	1	

Safety	Ref. No.	Part No.	Part Name & Description	QTY	Remarks
	C2245	F1H1C104A042	0.1uF 16V	1	
	C2246	F1H1C104A042	0.1uF 16V	1	
	C2247	F1H0J1050013	1uF 6.3V	1	
	C2248	F1H1C104A042	0.1uF 16V	1	
	C2249	F1H1C104A042	0.1uF 16V	1	
	C2250	F1H1C104A042	0.1uF 16V	1	
	C2251	F1H1C104A042	0.1uF 16V	1	
	C2252	F1H1C104A042	0.1uF 16V	1	
	C2253	F1H0J1050013	1uF 6.3V	1	
	C2254	F1H1C104A042	0.1uF 16V	1	
	C2255	F1H1C104A042	0.1uF 16V	1	
	C2256	ECJ1VC1H180J	18pF 50V	1	
	C2257	ECJ1VC1H180J	18pF 50V	1	
	C2258	F1H0J1050013	1uF 6.3V	1	
	C2259	F1H0J1050013	1uF 6.3V	1	
	C2260	F1H1C104A042	0.1uF 16V	1	
	C2261	F1H1H102A219	1000pF 50V	1	
	C2262	F1H1C104A042	0.1uF 16V	1	
	C2263	F1H1C104A042	0.1uF 16V	1	
	C2264	F1H1C104A042	0.1uF 16V	1	
	C2265	EEE0JA101SP	100uF 6.3V	1	
	C2266	F1H0J1050013	1uF 6.3V	1	
	C2267	F1H0J1050013	1uF 6.3V	1	
	C2268	F1H1C104A042	0.1uF 16V	1	
	C2269	EEE0GA331WP	330uF 4V	1	
	C2270	F1H1C104A042	0.1uF 16V	1	
	C2271	F1H1C104A042	0.1uF 16V	1	
	C2272	F1H0J1050013	1uF 6.3V	1	
	C2273	F1H1C104A042	0.1uF 16V	1	
	C2274	F1H1C104A042	0.1uF 16V	1	
	C2275	F1H1C104A042	0.1uF 16V	1	
	C4001	F1H1H101A230	100pF 50V	1	
	C4002	F1H1H101A230	100pF 50V	1	
	C4003	F1H1H101A230	100pF 50V	1	
	C4004	F1H1H101A230	100pF 50V	1	
	C4005	F1H1H101A230	100pF 50V	1	
	C4006	F1H1H101A230	100pF 50V	1	
	C4007	F1H1H101A230	100pF 50V	1	
	C4008	F1H1H101A230	100pF 50V	1	
	C4011	F1H1C105A097	1uF 16V	1	
	C4012	F1H1C105A097	1uF 16V	1	
	C4013	F1H1C105A097	1uF 16V	1	
	C4014	F1H1C105A097	1uF 16V	1	
	C4031	F2A1H4R7A234	4.7uF 50V	1	
	C4032	F2A1H4R7A234	4.7uF 50V	1	
	C4033	F1J1A106A043	10uF 10V	1	
	C4034	F1J1A106A043	10uF 10V	1	
	C4035	F2A1C100A234	10uF 16V	1	
	C4036	F2A1C100A234	10uF 16V	1	
	C4039	F2A1H4R7A234	4.7uF 50V	1	
	C4040	F2A1H4R7A234	4.7uF 50V	1	
	C4041	F1J1A106A043	10uF 10V	1	
	C4042	F1J1A106A043	10uF 10V	1	
	C4043	F1H1C105A097	1uF 16V	1	
	C4044	F1H1C105A097	1uF 16V	1	
	C4047	F2A1H4R7A234	4.7uF 50V	1	
	C4048	F2A1H4R7A234	4.7uF 50V	1	
	C4049	F1J1A106A043	10uF 10V	1	
	C4050	F1J1A106A043	10uF 10V	1	
	C4052	F1H1C105A097	1uF 16V	1	
	C4061	F1H1H330A230	33pF 50V	1	
	C4062	F1H1H330A230	33pF 50V	1	
	C4063	F2A1C101A234	100uF 16V	1	
	C4064	F1H1H103A219	0.01uF 50V	1	
	C4065	F2A1C101A234	100uF 16V	1	
	C4066	F1H1H103A219	0.01uF 50V	1	
	C4067	F1H1H103A219	0.01uF 50V	1	
	C4068	F1H1C105A097	1uF 16V	1	
	C4101	F1H1C105A097	1uF 16V	1	
	C4102	F1H1C105A097	1uF 16V	1	
	C4103	ECJ1VB1H391K	390pF 50V	1	
	C4104	ECJ1VB1H391K	390pF 50V	1	
	C4105	ECJ1VB1H391K	390pF 50V	1	

Safety	Ref. No.	Part No.	Part Name & Description	QTY	Remarks
	C4106	ECJ1VB1H391K	390pF 50V	1	
	C4107	F1H1C105A097	1uF 16V	1	
	C4108	F1H1C105A097	1uF 16V	1	
	C4109	F1H1C105A097	1uF 16V	1	
	C4110	F1H1C105A097	1uF 16V	1	
	C4115	F1H1H103A219	0.01uF 50V	1	
	C4116	F1H1H103A219	0.01uF 50V	1	
	C4117	F2A1C100A234	10uF 16V	1	
	C4118	F2A0J470A245	47uF 6.3V	1	
	C4201	ECJ1VB1H272K	2700pF 50V	1	
	C4202	ECJ1VB1H272K	2700pF 50V	1	
	C4203	ECJ1VB1H272K	2700pF 50V	1	
	C4204	ECJ1VB1H272K	2700pF 50V	1	
	C4207	F1H1H151A792	150pF 50V	1	
	C4208	F1H1H151A792	150pF 50V	1	
	C4209	F1H1H151A792	150pF 50V	1	
	C4210	F1H1H151A792	150pF 50V	1	
	C4213	F1H1H103A219	0.01uF 50V	1	
	C4214	F1H1H103A219	0.01uF 50V	1	
	C4217	F2A1C100A234	10uF 16V	1	
	C4218	F2A1C100A234	10uF 16V	1	
	C4221	ECJ1VB1H272K	2700pF 50V	1	
	C4222	ECJ1VB1H272K	2700pF 50V	1	
	C4223	ECJ1VB1H272K	2700pF 50V	1	
	C4224	ECJ1VB1H272K	2700pF 50V	1	
	C4227	F1H1H151A792	150pF 50V	1	
	C4228	F1H1H151A792	150pF 50V	1	
	C4229	F1H1H151A792	150pF 50V	1	
	C4230	F1H1H151A792	150pF 50V	1	
	C4233	F1H1H103A219	0.01uF 50V	1	
	C4234	F1H1H103A219	0.01uF 50V	1	
	C4241	ECJ1VB1H272K	2700pF 50V	1	
	C4242	ECJ1VB1H272K	2700pF 50V	1	
	C4243	ECJ1VB1H272K	2700pF 50V	1	
	C4244	ECJ1VB1H272K	2700pF 50V	1	
	C4247	F1H1H151A792	150pF 50V	1	
	C4248	F1H1H151A792	150pF 50V	1	
	C4249	F1H1H151A792	150pF 50V	1	
	C4250	F1H1H151A792	150pF 50V	1	
	C4253	F1H1H103A219	0.01uF 50V	1	
	C4254	F1H1H103A219	0.01uF 50V	1	
	C4256	ECJ1VB1H391K	390pF 50V	1	
	C4303	F1H1H101A230	100pF 50V	1	
	C4304	F1H1H101A230	100pF 50V	1	
	C4305	F1H1H102A219	1000pF 50V	1	
	C4306	F1H1H102A219	1000pF 50V	1	
	C4307	ECJ1VB1H391K	390pF 50V	1	
	C4308	ECJ1VB1H391K	390pF 50V	1	
	C4309	F1H1C105A097	1uF 16V	1	
	C4310	F1H1C105A097	1uF 16V	1	
	C4313	F1H1H104A013	0.1uF 50V	1	
	C4314	F1H1H104A013	0.1uF 50V	1	
	C4315	F1H1H101A230	100pF 50V	1	
	C4316	F1H1H101A230	100pF 50V	1	
	C4323	F1H1H101A230	100pF 50V	1	
	C4324	F1H1H101A230	100pF 50V	1	
	C4325	F1H1H102A219	1000pF 50V	1	
	C4326	F1H1H102A219	1000pF 50V	1	
	C4327	ECJ1VB1H391K	390pF 50V	1	
	C4328	ECJ1VB1H391K	390pF 50V	1	
	C4329	F1H1C105A097	1uF 16V	1	
	C4330	F1H1C105A097	1uF 16V	1	
	C4333	F1H1H104A013	0.1uF 50V	1	
	C4334	F1H1H104A013	0.1uF 50V	1	
	C4335	F1H1H101A230	100pF 50V	1	
	C4336	F1H1H101A230	100pF 50V	1	
	C4344	F1H1H101A230	100pF 50V	1	
	C4345	F1H1C105A097	1uF 16V	1	
	C4346	F1H1H102A219	1000pF 50V	1	
	C4347	F1H1C105A097	1uF 16V	1	
	C4348	F1H1H101A230	100pF 50V	1	
	C4350	F1H1C105A097	1uF 16V	1	
	C4353	F1H1H104A013	0.1uF 50V	1	

Safety	Ref. No.	Part No.	Part Name & Description	QTY	Remarks
	C4354	F1H1H104A013	0.1uF 50V	1	
	C4357	F2A1C100A234	10uF 16V	1	
	C4358	F2A1C100A234	10uF 16V	1	
	C4363	F1H1H101A230	100pF 50V	1	
	C4364	F1H1H101A230	100pF 50V	1	
	C4365	F1H1H102A219	1000pF 50V	1	
	C4366	F1H1H102A219	1000pF 50V	1	
	C4367	F1H1H101A230	100pF 50V	1	
	C4368	F1H1H101A230	100pF 50V	1	
	C4369	F2A1C101A234	100uF 16V	1	
	C4370	F2A1C101A234	100uF 16V	1	
	C4371	F1H1H103A219	0.01uF 50V	1	
	C4372	F1H1H103A219	0.01uF 50V	1	
	C4373	F1H1H104A013	0.1uF 50V	1	
	C4374	F1H1H104A013	0.1uF 50V	1	
	C4391	F1H1H104A013	0.1uF 50V	1	
	C4392	F1H1H104A013	0.1uF 50V	1	
	C4501	F1H1H104A013	0.1uF 50V	1	
	C4502	F1H1H104A013	0.1uF 50V	1	
	C4508	F2A1C101A234	100uF 16V	1	
	C4602	F1H1H101A230	100pF 50V	1	
	C4603	F1H1H101A230	100pF 50V	1	
	C4604	F1H1H101A230	100pF 50V	1	
	C4605	F2A0J221A245	220uF 6.3V	1	
	C4606	F2A0J221A245	220uF 6.3V	1	
	C4607	F1H1H104A013	0.1uF 50V	1	
	C4608	F1H1H104A013	0.1uF 50V	1	
	C4609	F2A1H220A234	22uF 50V	1	
	C4610	F2A1H220A234	22uF 50V	1	
	C4611	F1H1H104A013	0.1uF 50V	1	
	C4612	F2A1H220A234	22uF 50V	1	
	C4613	F2A1H220A234	22uF 50V	1	
	C4614	F2A1H220A234	22uF 50V	1	
	C4615	F2A1H220A234	22uF 50V	1	
	C4616	F1H1H104A013	0.1uF 50V	1	
	C4621	F1H1H331A013	330pF 50V	1	
	C4622	F1H1H331A013	330pF 50V	1	
	C4623	F1H1H331A013	330pF 50V	1	
	C4624	F1H1H331A013	330pF 50V	1	
	C4625	F1H1H331A013	330pF 50V	1	
	C4626	F1H1H331A013	330pF 50V	1	
	C4627	F1H1H331A013	330pF 50V	1	
	C4628	F1H1H331A013	330pF 50V	1	
	C4629	F1H1H331A013	330pF 50V	1	
	C4630	F1H1H331A013	330pF 50V	1	
	C4631	F1H1H331A013	330pF 50V	1	
	C4632	F1H1H331A013	330pF 50V	1	
	C4633	F2A1H100A234	10uF 50V	1	
	C4634	F1H1C105A097	1uF 16V	1	
	C4635	F1H1H101A230	100pF 50V	1	
	C4636	F1H1H101A230	100pF 50V	1	
	C4641	F1H1H103A219	0.01uF 50V	1	
	C4651	F1H1H103A219	0.01uF 50V	1	
	C4652	F1H1H103A219	0.01uF 50V	1	
	C4653	F1H1H103A219	0.01uF 50V	1	
	C4654	F1H1H103A219	0.01uF 50V	1	
	C4701	F1H1H101A230	100pF 50V	1	
	C4702	F1H1H101A230	100pF 50V	1	
	C4703	F1H1H101A230	100pF 50V	1	
	C4704	F1H1H101A230	100pF 50V	1	
	C4705	F1H1H101A230	100pF 50V	1	
	C4706	F1H1H101A230	100pF 50V	1	
	C4707	F1H1H101A230	100pF 50V	1	
	C4708	F1H1H101A230	100pF 50V	1	
	C4709	F1H1H102A219	1000pF 50V	1	
	C4710	F1H1H102A219	1000pF 50V	1	
	C4711	F1H1H102A219	1000pF 50V	1	
	C4712	F1H1H102A219	1000pF 50V	1	
	C4713	F1H1H101A230	100pF 50V	1	
	C4714	F1H1H101A230	100pF 50V	1	
	C4715	F1H1H101A230	100pF 50V	1	
	C4716	F1H1H101A230	100pF 50V	1	
	C4718	DOGBR00JA008	0 1/16W	1	

Safety	Ref. No.	Part No.	Part Name & Description	QTY	Remarks
	C4719	F1H1H104A013	0.1uF 50V	1	
	C4720	F1J1A106A043	10uF 10V	1	
	C4721	F2A0J1220028	1200uF 6.3V	1	
⚠	C5501	ECQU2A104MLC	0.1uF	1	
⚠	C5502	ECQU2A104MLC	0.1uF	1	
	C5504	F2B2G2200001	22uF 400V	1	
	C5505	F1J1H104A717	0.1uF 50V	1	
	C5506	ECJ2VC1H102J	1000pF 50V	1	
	C5507	F1K2J2220002	2200pF 630V	1	
	C5508	F2A1H1000077	10uF 50V	1	
⚠	C5509	F1BAF1020020	1000pF	1	
	C5510	F1H1H104A013	0.1uF 50V	1	
	C5511	F2A1A1020056	1000uF 10V	1	
	C5512	F2A1E4710061	470uF 25V	1	
	C5513	F2A1E1010067	100uF 25V	1	
	C5514	F2A1E1010067	100uF 25V	1	
	C5515	F2A1E470A202	47uF 25V	1	
	C5516	F2A1C470A234	47uF 16V	1	
	C5517	F2A1C471A537	470uF 16V	1	
	C5518	F1H1C105A097	1uF 16V	1	
	C5519	F1H1H102A219	1000pF 50V	1	
	C5520	F2A1A101A206	100uF 10V	1	
	C5521	F1H1H102A219	1000pF 50V	1	
	C5522	F2A1C470A234	47uF 16V	1	
	C5523	F2A1C100A234	10uF 16V	1	
	C5551	F2A1E470A202	47uF 25V	1	
	C5552	F1H1H392A013	3900pF 50V	1	
	C5553	F2A0J221A245	220uF 6.3V	1	
	C5554	F2A1V470A654	47uF 35V	1	
	C5561	F2A1A1010072	100uF 10V	1	
	C5562	F2A1C471A537	470uF 16V	1	
	C5563	F1H1C104A042	0.1uF 16V	1	
	C5564	F2A1C471A537	470uF 16V	1	
	C5565	F1H1C104A042	0.1uF 16V	1	
	C5566	F1H1C105A097	1uF 16V	1	
	C5567	F2A0J101A245	100uF 6.3V	1	
	C5571	F1H1C105A097	1uF 16V	1	
	C5572	F1H1C105A097	1uF 16V	1	
	C5573	F2A1C470A234	47uF 16V	1	
	C5574	F2A0J102A247	1000uF 6.3V	1	
	C5581	F2A1H4R7A234	4.7uF 50V	1	
	C5591	F2A0J3310059	330uF 6.3V	1	
	C5592	F2A0J1220028	1200uF 6.3V	1	
	C5593	F2A1A1020056	1000uF 10V	1	
	C5594	F1H1H102A219	1000pF 50V	1	
	C5597	F1H1H103A219	0.01uF 50V	1	
	C5598	F1J1A106A043	10uF 10V	1	
	C5599	F1H1H102A219	1000pF 50V	1	
	C8001	F2A0J102A247	1000uF 6.3V	1	
	C8002	F2A0J102A247	1000uF 6.3V	1	
	C8003	F1H1H104A013	0.1uF 50V	1	
	C8004	F1H1H103A219	0.01uF 50V	1	
	C8005	F2A0J101A245	100uF 6.3V	1	
	C8006	F1H1H103A219	0.01uF 50V	1	
	C8007	F1H1H103A219	0.01uF 50V	1	
	C8008	F1H1H103A219	0.01uF 50V	1	
	C8011	F1H1C105A097	1uF 16V	1	
	C8012	F1H1H103A219	0.01uF 50V	1	
	C8013	F1H1H103A219	0.01uF 50V	1	
	C8014	F2A0J101A245	100uF 6.3V	1	
	C8015	F1H1H103A219	0.01uF 50V	1	
	C8059	F1H1H102A219	1000pF 50V	1	
	C8060	F1H1H102A219	1000pF 50V	1	
	C8061	F1H1H102A219	1000pF 50V	1	
	C8069	F1H1H220A004	22pF 50V	1	
	C8070	F1H1H220A004	22pF 50V	1	
	C8071	F1H1H220A004	22pF 50V	1	
	C8072	F1H1H220A004	22pF 50V	1	
	C8073	F1H1H220A004	22pF 50V	1	
	C8074	F1H1H220A004	22pF 50V	1	
	C8075	F1H1H220A004	22pF 50V	1	
	C8076	F1H1H220A004	22pF 50V	1	
	C8077	F1H1H220A004	22pF 50V	1	

Safety	Ref. No.	Part No.	Part Name & Description	QTY	Remarks
	C8078	F1H1H220A004	22pF 50V	1	
	C8079	F1H1H220A004	22pF 50V	1	

21.2.2. Speaker Unit (SB-ZT1)

Safety	Ref. No.	Part No.	Part Name & Description	QTY	Remarks
			PRINTED CIRCUIT BOARDS		
△	PCB1	REP4527D-P	SMPS P.C.B	1	(RTL)
△	PCB2	RD-DWKK009JM	RX MODULE P.C.B	1	(RTL)
	PCB3	REP4528A-M	D-AMP P.C.B	1	(RTL)
	PCB4	REP4528A-M	INPUT P.C.B	1	(RTL)
	PCB5	REP4528A-M	EXTENT P.C.B	1	(RTL)
△	PCB6	REP4527D-P	AC INLET P.C.B	1	(RTL)
			INTEGRATED CIRCUITS		
	IC5701	C0DAAMH00015	IC	1	
	IC5799	MIP2F20MSSCF	IC	1	
	IC5801	C0DAEMZ00001	IC	1	
	IC5899	C0DAEMZ00001	IC	1	
	IC6001	RFKB4528A-M	IC	1	(RTL)
	IC6003	C0ZBZ0001675	IC	1	
	IC6008	C0CBADC00042	IC	1	
	IC6021	C2BBCB000016	IC	1	
	IC6062	C0DBEKG00004	IC	1	
	IC6901	C0ABBB000125	IC	1	
	IC6902	C0ABBB000125	IC	1	
			TRANSISTORS		
	Q5720	2SC3940ARA	TRANSISTOR	1	
	Q5721	2SA207700L	TRANSISTOR	1	
	Q5722	B1ABCF000176	TRANSISTOR	1	
	Q5862	B1ABCF000176	TRANSISTOR	1	
	Q5890	B1GBCFGN0018	TRANSISTOR	1	
	Q6001	B1HBDCA00001	TRANSISTOR	1	
	Q6008	B1ADMB000003	TRANSISTOR	1	
	Q6012	B1ABCF000176	TRANSISTOR	1	
	Q6013	B1ABCF000176	TRANSISTOR	1	
	Q6014	B1ADNB000003	TRANSISTOR	1	
	Q6015	B1ADCB000012	TRANSISTOR	1	
	Q6101	B1CBRK000001	TRANSISTOR	1	
	Q6102	B1CBRK000001	TRANSISTOR	1	
	Q6201	B1CBRK000001	TRANSISTOR	1	
	Q6202	B1CBRK000001	TRANSISTOR	1	
	QR6001	B1GBCFJJ0007	TRANSISTOR	1	
	QR6003	B1GDCFJJ0008	TRANSISTOR	1	
	QR6004	B1GBCFJJ0007	TRANSISTOR	1	
	QR6005	B1GBCFJJ0007	TRANSISTOR	1	
	QR6070	B1GBCFJA0017	TRANSISTOR	1	
	QR6501	UNR5111J0L	TRANSISTOR	1	
	QR6502	UNR5111J0L	TRANSISTOR	1	
	QR6503	UNR5111J0L	TRANSISTOR	1	
			DIODES		
	D5701	B0EBNR000015	DIODE	1	
	D5702	B0HAMP000094	DIODE	1	
	D5721	B0BC019A0007	DIODE	1	
	D5722	B0BC019A0007	DIODE	1	
	D5723	MA2J1110GL	DIODE	1	
	D5724	MA2J1110GL	DIODE	1	
	D5725	B0BC6R100010	DIODE	1	
	D5727	MA2J1110GL	DIODE	1	
	D5728	MA2J1110GL	DIODE	1	
	D5729	B0EAMM000057	DIODE	1	
	D5731	B0EAMM000057	DIODE	1	
	D5732	MAZ8300GML	DIODE	1	
	D5733	B0BC035A0007	DIODE	1	

Safety	Ref. No.	Part No.	Part Name & Description	QTY	Remarks
	D5793	B0HAMP000094	DIODE	1	
	D5798	B0EAMM000057	DIODE	1	
	D5799	MAZ8091GML	DIODE	1	
	D5801	B0HDRM000002	DIODE	1	
	D5802	B0HBSM000054	DIODE	1	
	D5808	MA2J1110GL	DIODE	1	
	D5809	MA2J1110GL	DIODE	1	
	D5851	B0EAMM000057	DIODE	1	
	D5852	B0EAMM000057	DIODE	1	
	D5896	B0JAMF000011	DIODE	1	
	D6003	B0ACCK000005	DIODE	1	
	D6004	B0ACCK000005	DIODE	1	
	D6011	MAZ8051GML	DIODE	1	
	D6022	B0ACCK000005	DIODE	1	
	D6023	B0ACCK000005	DIODE	1	
	D6070	B0ACCK000005	DIODE	1	
	D6071	B0ACCK000005	DIODE	1	
	D6072	B0ACCK000005	DIODE	1	
	D6073	MAZ8150GML	DIODE	1	
	D6101	B0ACCK000005	DIODE	1	
	D6102	B0ACCK000005	DIODE	1	
	D6103	B0HCMM000019	DIODE	1	
	D6104	B0HCMM000019	DIODE	1	
	D6201	B0ACCK000005	DIODE	1	
	D6202	B0ACCK000005	DIODE	1	
	D6203	B0HCMM000019	DIODE	1	
	D6204	B0HCMM000019	DIODE	1	
	D6993	B3AJA0000011	DIODE	1	
△	DZ5701	ERZV10V511CS	ZNR	1	
			SWITCHES		
	S6001	K0F122B00108	SW POWER	1	
	S6051	EVQPC105K	SW ID	1	
			CONNECTORS		
	CN5802	K1KA10AA0181	10P CONNECTOR	1	
	CN6051	K1KA02AA0258	2P CONNECTOR	1	
	CN6052	K1KA02AA0258	2P CONNECTOR	1	
	CN6501	K1MY22A00003	22P CONNECTOR	1	
	CN6550	K1MY10AA0021	10P CONNECTOR	1	
	CNA6051	K1MN15AA0003	15P CONNECTOR	1	
	CNB6004	K1KA02AA0180	2P CONNECTOR	1	
	CNB6501	K1MN15AA0003	15P CONNECTOR	1	
	ET6001	K1QZA1AD0014	RF CONNECTOR	1	
	ET6002	K1QZA1AD0014	RF CONNECTOR	1	
			COILS AND INDUCTORS		
△	L5702	ELF19H010A	LINE FILTER	1	
	L6100	G0A150L00003	CHOKE COIL	1	
	L6101	G0B9R5K00003	LINE FILTER	1	
	L6201	G0B9R5K00003	LINE FILTER	1	
			TRANSFORMERS		
△	T5701	ETS28BH166AC	MAIN TRANSFORMER	1	
△	T5751	ETS19AB2C6AG	SUB TRANSFORMER	1	
			PHOTO COUPLERS		
△	PC5701	B3PBA0000402	PHOTO COUPLER	1	
△	PC5720	B3PBA0000402	PHOTO COUPLER	1	
△	PC5799	B3QAZ0000062	PHOTO COUPLER	1	
			FUSE		
△	F1	K5D202BNA005	FUSE	1	
			FUSE HOLDERS		

Safety	Ref. No.	Part No.	Part Name & Description	QTY	Remarks
	ZA5701	K3GE1ZZ00001	FUSE HOLDER	1	
	ZA5702	K3GE1ZZ00001	FUSE HOLDER	1	
			THERMISTOR		
△	TH5702	D4CAA5R10001	THERMISTOR	1	
			JACKS		
	JK6051	K2HC103B0093	JK TEST	1	
△	P5701	K2AA2B000011	AC INLET	1	
			CHIP JUMPERS		
	K1	D0GDR00JA017	0 1/10W	1	
	W8	D0GBR00JA008	0 1/16W	1	
	W9	ERJ8GEY0R00V	0 1/4W	1	
	W10	D0GBR00JA008	0 1/16W	1	
	W11	D0GBR00JA008	0 1/16W	1	
	W12	ERJ8GEY0R00V	0 1/4W	1	
	W13	D0GDR00JA017	0 1/10W	1	
			RESISTORS		
	R4001	D0GB471JA008	470 1/16W	1	
	R4002	D0GB151JA008	150 1/16W	1	
	R5700	ERJ8GEYJ105V	1M 1/4W	1	
	R5701	ERJ8GEYJ105V	1M 1/4W	1	
	R5702	ERJ1TYJ204U	200K 1W	1	
	R5703	ERJ1TYJ204U	200K 1W	1	
	R5717	D0GB104JA008	100K 1/16W	1	
	R5718	D0GB102JA008	1K 1/16W	1	
	R5719	D0GD121JA017	120 1/10W	1	
	R5720	D0GD220JA017	22 1/10W	1	
	R5721	D0GD103JA017	10K 1/10W	1	
	R5722	D0GB222JA008	2.2K 1/16W	1	
	R5725	D0GB222JA008	2.2K 1/16W	1	
	R5726	ERX2SJR33P	33 2W	1	
	R5729	D0GD103JA017	10K 1/10W	1	
	R5730	D0GB102JA008	1K 1/16W	1	
	R5732	D0GB101JA008	100 1/16W	1	
	R5733	D0GB473JA008	47K 1/16W	1	
	R5786	ERJ1TYJ204U	200K 1W	1	
	R5795	ERJ6GEYJ334V	330K 1/8W	1	
	R5797	D0GB153JA008	15K 1/16W	1	
	R5798	D0GD390JA017	39 1/10W	1	
	R5799	D0GB153JA008	15K 1/16W	1	
	R5800	D0GB682JA008	6.8K 1/16W	1	
	R5801	ERJ6GEYJ273V	27K 1/8W	1	
	R5802	ERJ3RBD682V	6.8K 1/16W	1	
	R5804	ERJ3RBD273V	27K 1/16W	1	
	R5805	ERJ3RBD222V	2.2K 1/16W	1	
	R5806	D0GB153JA008	15K 1/16W	1	
	R5807	ERJ6GEYJ331V	330 1/8W	1	
	R5808	D0GD222JA017	2.2K 1/10W	1	
	R5809	ERJ6GEYJ331V	330 1/8W	1	
	R5810	D0GB331JA008	330 1/16W	1	
	R5814	D0GB822JA008	8.2K 1/16W	1	
	R5817	D0GB331JA008	330 1/16W	1	
	R5832	ERJ1TYJ222U	2.2K 1W	1	
	R5833	ERJ1TYJ222U	2.2K 1W	1	
	R5862	D0GD152JA017	1.5K 1/10W	1	
	R5864	D0GB222JA008	2.2K 1/16W	1	
	R5865	D0GD223JA017	22K 1/10W	1	
	R5890	D0GB222JA008	2.2K 1/16W	1	
	R5891	ERJ3RBD333V	33K 1/16W	1	
	R5892	ERJ3RBD562V	5.6K 1/16W	1	
	R5893	ERJ3RBD273V	27K 1/16W	1	
	R5894	D0GD102JA017	1K 1/10W	1	
	R5895	D0GB472JA008	4.7K 1/16W	1	
	R6000	D0GBR00JA008	0 1/16W	1	
	R6001	D0GB822JA008	8.2K 1/16W	1	
	R6002	D0GB474JA008	470K 1/16W	1	

Safety	Ref. No.	Part No.	Part Name & Description	QTY	Remarks
	R6005	ERJ8GEYJ101V	100 1/4W	1	
	R6007	D0GB822JA008	8.2K 1/16W	1	
	R6008	D0GB332JA008	3.3K 1/16W	1	
	R6009	D0GB122JA008	1.2K 1/16W	1	
	R6016	D0GB223JA008	22K 1/16W	1	
	R6017	D0GB562JA008	5.6K 1/16W	1	
	R6019	D0GBR00JA008	0 1/16W	1	
	R6020	ERJ14YJ1R5U	1.5 1/4W	1	
	R6021	D0GB224JA008	220K 1/16W	1	
	R6022	D0GB102JA008	1K 1/16W	1	
	R6023	D0GB102JA008	1K 1/16W	1	
	R6024	D0GB683JA008	68K 1/16W	1	
	R6025	D0GB103JA008	10K 1/16W	1	
	R6026	D0GB103JA008	10K 1/16W	1	
	R6027	D0GB103JA008	10K 1/16W	1	
	R6028	D0GB224JA008	220K 1/16W	1	
	R6029	D0GB103JA008	10K 1/16W	1	
	R6031	D0GB224JA008	220K 1/16W	1	
	R6032	D0GB224JA008	220K 1/16W	1	
	R6033	D0GB224JA008	220K 1/16W	1	
	R6034	D0GB224JA008	220K 1/16W	1	
	R6035	D0GBR00JA008	0 1/16W	1	
	R6036	D0GBR00JA008	0 1/16W	1	
	R6037	D0GB100JA008	10 1/16W	1	
	R6038	D0GB101JA008	100 1/16W	1	
	R6039	D0GB100JA008	10 1/16W	1	
	R6040	D0GB101JA008	100 1/16W	1	
	R6041	D0GBR00JA008	0 1/16W	1	
	R6042	D0GBR00JA008	0 1/16W	1	
	R6043	D0GBR00JA008	0 1/16W	1	
	R6044	D0GBR00JA008	0 1/16W	1	
	R6045	D0GBR00JA008	0 1/16W	1	
	R6049	D0GB223JA008	22K 1/16W	1	
	R6050	D0GB1R0JA008	1.0 1/16W	1	
	R6051	D0GB1R0JA008	1.0 1/16W	1	
	R6055	D0GB272JA008	2.7K 1/16W	1	
	R6056	D0GB221JA008	220 1/16W	1	
	R6057	D0GB222JA008	2.2K 1/16W	1	
	R6058	D0GB472JA008	4.7K 1/16W	1	
	R6070	D0GB223JA008	22K 1/16W	1	
	R6071	D0GB103JA008	10K 1/16W	1	
	R6072	D0GB223JA008	22K 1/16W	1	
	R6077	D0GB103JA008	10K 1/16W	1	
	R6078	D0GB104JA008	100K 1/16W	1	
	R6079	D0GBR00JA008	0 1/16W	1	
	R6083	D0GB104JA008	100K 1/16W	1	
	R6084	D0GB104JA008	100K 1/16W	1	
	R6102	D0GB222JA008	2.2K 1/16W	1	
	R6104	D0GB272JA008	2.7K 1/16W	1	
	R6105	D0GB473JA008	47K 1/16W	1	
	R6106	D0GB151JA008	150 1/16W	1	
	R6107	D0GB102JA008	1K 1/16W	1	
	R6108	D0GBR00JA008	0 1/16W	1	
	R6109	D0GB682JA008	6.8K 1/16W	1	
	R6110	D0GB103JA008	10K 1/16W	1	
	R6111	D0GB4R7JA008	4.7 1/16W	1	
	R6112	D0GB273JA008	27K 1/16W	1	
	R6113	D0GB220JA008	22 1/16W	1	
	R6114	D0GB220JA008	22 1/16W	1	
	R6115	ERJ1TYJ100U	10 1W	1	
	R6116	D0GD222JA017	2.2K 1/10W	1	
	R6118	D0GB683JA008	68K 1/16W	1	
	R6119	D0GB104JA008	100K 1/16W	1	
	R6202	D0GB222JA008	2.2K 1/16W	1	
	R6204	D0GB272JA008	2.7K 1/16W	1	
	R6205	D0GB473JA008	47K 1/16W	1	
	R6206	D0GB151JA008	150 1/16W	1	
	R6207	D0GB102JA008	1K 1/16W	1	
	R6208	D0GBR00JA008	0 1/16W	1	
	R6209	D0GB682JA008	6.8K 1/16W	1	
	R6210	D0GB103JA008	10K 1/16W	1	
	R6211	D0GB4R7JA008	4.7 1/16W	1	
	R6212	D0GB273JA008	27K 1/16W	1	

Safety	Ref. No.	Part No.	Part Name & Description	QTY	Remarks
	R6213	D0GB220JA008	22 1/16W	1	
	R6214	D0GB220JA008	22 1/16W	1	
	R6215	ERJ1TYJ100U	10 1W	1	
	R6216	D0GD222JA017	2.2K 1/10W	1	
	R6218	D0GB124JA008	120K 1/16W	1	
	R6219	D0GB104JA008	100K 1/16W	1	
	R6901	D0GB473JA008	47K 1/16W	1	
	R6902	D0GB182JA008	1.8K 1/16W	1	
	R6903	D0GB562JA008	5.6K 1/16W	1	
	R6904	D0GB103JA008	10K 1/16W	1	
	R6905	D0GB101JA008	100 1/16W	1	
	R6906	D0GB101JA008	100 1/16W	1	
	R6907	D0GB101JA008	100 1/16W	1	
	R6908	D0GB473JA008	47K 1/16W	1	
	R6915	D0GB101JA008	100 1/16W	1	
	R6917	D0GB101JA008	100 1/16W	1	
	R6920	D0GB333JA008	33K 1/16W	1	
	R6921	D0GB333JA008	33K 1/16W	1	
	R6925	D0GB101JA008	100 1/16W	1	
	R6926	D0GB101JA008	100 1/16W	1	
	R6927	D0GB101JA008	100 1/16W	1	
	R6950	D0GB104JA008	100K 1/16W	1	
	R6951	D0GB472JA008	4.7K 1/16W	1	
	R6952	D0GB272JA008	2.7K 1/16W	1	
	R6953	D0GB682JA008	6.8K 1/16W	1	
	R6955	D0GB101JA008	100 1/16W	1	
	R6957	D0GB101JA008	100 1/16W	1	
			CAPACITORS		
△	C5700	F1BAF2220023	2200pF	1	
△	C5701	ECQU2A104MLC	0.1uF	1	
△	C5703	ECQU2A224MLC	0.22uF	1	
△	C5704	F1BAF1020020	1000pF	1	
	C5712	F2A2G1010016	100uF 400V	1	
	C5713	F0C2J1030005	0.01uF 630V	1	
	C5720	F1H1H102A219	1000pF 50V	1	
	C5721	ECJ1VB1H221K	220pF 50V	1	
	C5722	F1H1H102A219	1000pF 50V	1	
	C5723	F1H1H471A219	470pF 50V	1	
	C5724	F1H1H102A219	1000pF 50V	1	
	C5725	F1H1H104A013	0.1uF 50V	1	
	C5726	F2A1H1000077	10uF 50V	1	
	C5728	F1H1H102A219	1000pF 50V	1	
	C5730	F1H1E105A116	1uF 25V	1	
	C5747	F1B3D471A011	470pF 2000V	1	
	C5790	F1K2J2220002	2200pF 630V	1	
	C5791	F1H1E105A116	1uF 25V	1	
	C5795	ECJ2VC1H102J	1000pF 50V	1	
	C5796	F1J1H104A717	0.1uF 50V	1	
	C5798	F2A1H1R0A234	1.0uF 50V	1	
	C5805	F2A1V4710074	470uF 35V	1	
	C5808	F2A1V4710074	470uF 35V	1	
	C5810	F1H1H104A013	0.1uF 50V	1	
	C5812	F1H1H104A013	0.1uF 50V	1	
	C5815	F1H1H104A013	0.1uF 50V	1	
	C5817	F1H1H104A013	0.1uF 50V	1	
	C5818	F1H1H104A013	0.1uF 50V	1	
	C5839	F1J2E1030004	0.01uF 250V	1	
	C5840	F1J2E1030004	0.01uF 250V	1	
	C5851	F2A1C221A104	220uF 16V	1	
	C5852	F2A1C221A104	220uF 16V	1	
	C5853	F2A1E4710061	470uF 25V	1	
	C5896	F1H1H104A013	0.1uF 50V	1	
	C5898	F1H1H104A013	0.1uF 50V	1	
	C5899	F2A1A2210063	220uF 10V	1	
	C5908	EEEFK1C100R	10uF 16V	1	
	C6000	F1H1H103A219	0.01uF 50V	1	
	C6001	F1H1H104A013	0.1uF 50V	1	
	C6003	F1H1A105A025	1uF 10V	1	
	C6004	F1H1A105A025	1uF 10V	1	
	C6005	F1K1C1060001	10uF 16V	1	
	C6009	ECJ2FB1E105K	1uF 25V	1	

Safety	Ref. No.	Part No.	Part Name & Description	QTY	Remarks
	C6011	ECJ2FB1E105K	1uF 25V	1	
	C6017	ECJ3VB1H104K	0.1uF 50V	1	
	C6018	ECJ3VB1H104K	0.1uF 50V	1	
	C6019	F2A1V4710035	470uF 35V	1	
	C6020	F2A1V4710035	470uF 35V	1	
	C6021	F1H1A105A025	1uF 10V	1	
	C6022	EEEFK0J102P	1000pF 6.3V	1	
	C6023	F1J0J106A021	10uF 6.3V	1	
	C6024	F1J0J106A021	10uF 6.3V	1	
	C6025	EEEFK0J102P	1000pF 6.3V	1	
	C6028	F1H1H102A219	1000pF 50V	1	
	C6029	F1H1A105A025	1uF 10V	1	
	C6037	F1H1H101A230	100pF 50V	1	
	C6038	F1H1H101A230	100pF 50V	1	
	C6039	F1H1C104A042	0.1uF 16V	1	
	C6040	F1H1C104A042	0.1uF 16V	1	
	C6042	EEEFK0J101UR	100uF 6.3V	1	
	C6043	F1K2A1040007	0.1uF 100V	1	
	C6044	F1K2A1040007	0.1uF 100V	1	
	C6047	F1H1C104A042	0.1uF 16V	1	
	C6048	EEEFK1C220R	22uF 16V	1	
	C6049	EEEFK1C100R	10uF 16V	1	
	C6077	EEEFK1V220R	22uF 35V	1	
	C6078	EEEFK1C470P	47uF 16V	1	
	C6079	F1H1C104A042	0.1uF 16V	1	
	C6101	EEEFK1C100R	10uF 16V	1	
	C6103	F1H1H222A219	2200pF 50V	1	
	C6104	F1H1H222A219	2200pF 50V	1	
	C6105	F1H1H102A219	1000pF 50V	1	
	C6106	F1K1C1060001	10uF 16V	1	
	C6107	ECQV1H474JLW	0.47uF 50V	1	
	C6108	ECJ2FB1H104K	0.1uF 50V	1	
	C6109	F1H1H102A219	1000pF 50V	1	
	C6110	F1H1H102A219	1000pF 50V	1	
	C6111	EEEFK1C100R	10uF 16V	1	
	C6201	EEEFK1C100R	10uF 16V	1	
	C6203	F1H1H222A219	2200pF 50V	1	
	C6204	F1H1H222A219	2200pF 50V	1	
	C6205	F1H1H102A219	1000pF 50V	1	
	C6206	F1K1C1060001	10uF 16V	1	
	C6207	ECQV1H474JLW	0.47uF 50V	1	
	C6208	ECJ2FB1H104K	0.1uF 50V	1	
	C6209	F1H1H102A219	1000pF 50V	1	
	C6210	F1H1H102A219	1000pF 50V	1	
	C6211	EEEFK1C100R	10uF 16V	1	
	C6901	EEEFK1C100R	10uF 16V	1	
	C6902	F1H1A474A025	0.47uF 10V	1	
	C6903	F1H1H473A783	0.047uF 50V	1	
	C6905	F1H1H101A230	100pF 50V	1	
	C6915	F1H1H101A230	100pF 50V	1	
	C6919	F1H1H103A219	0.01uF 50V	1	
	C6921	F1H1H103A219	0.01uF 50V	1	
	C6925	F1H1H101A230	100pF 50V	1	
	C6951	EEEFK1C100R	10uF 16V	1	
	C6952	F1H1A154A037	0.15uF 10V	1	
	C6953	F1H1A154A037	0.15uF 10V	1	
	C6954	F1H1A154A037	0.15uF 10V	1	
	C6955	F1H1H101A230	100pF 50V	1	
	C6991	F1H1A105A025	1uF 10V	1	
	C6992	F1H1A105A025	1uF 10V	1	