

Service Manual

SD / HDD Video Camera

Model No. **SDR-H100P**

SDR-H100PC

SDR-H100EB

SDR-H100EC

SDR-H100EE

SDR-H100EF

SDR-H100EG

SDR-H100EP

SDR-H100GT

SDR-H101EB

SDR-H101PR

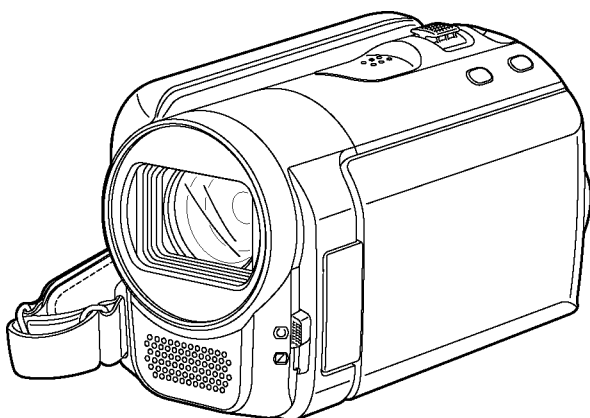
SDR-H101PU

SDR-H101GA

SDR-H101GC

SDR-H101GK

SDR-H101GN



The illustration shows the image of SDR-H100.

VOL.1

Colours

(K).....Black Type (except SDR-H101EB)

(S).....Silver Type (only SDR-H100P/PC/GT, H101PU/
GA/GC)

(R).....Red Type (only SDR-H100P/PC/GT, H101PU/GA/
GC/GK/GN)

(H).....Gray Type (only SDR-H101EB)

Panasonic[®]

© Panasonic Corporation 2011.
Unauthorized copying and distribution is a violation
of law.

WARNING

This service information is designed for experienced repair technicians only and is not designed for use by the general public. It does not contain warnings or cautions to advise non-technical individuals of potential dangers in attempting to service a product. Products powered by electricity should be serviced or repaired only by experienced professional technicians. Any attempt to service or repair the product or products dealt with in this service information by anyone else could result in serious injury or death.

TABLE OF CONTENTS

	PAGE	PAGE
1 Safety Precautions	3	
1.1. General Guidelines	3	
2 Warning	4	
2.1. Prevention of Electrostatic Discharge (ESD) to Electrostatic Sensitive (ES) Devices	4	
2.2. Service caution based on legal restrictions	5	
2.3. Caution for AC Cord (For EB/GC/GA)	6	
2.4. How to Replace the Lithium Battery (PROCEDURE)	7	
2.5. How to Recycle the Lithium Battery (U.S. Only)	8	
3 Service Navigation	9	
3.1. Service Information	9	
3.2. How to Define the Model Suffix (NTSC or PAL model)	10	
3.3. Precautions for Handling HDD	11	
3.4. Formatting HDD	15	
4 Specifications	16	
5 Location of Controls and Components	17	
6 Service Mode	20	
6.1. HDD Self Check	21	
6.2. Lock Search History Indication	21	
6.3. Power ON Self Check Result Display	22	
6.4. Lock Search History Clear	22	
7 Service Fixture & Tools	23	
7.1. Service Tools and Equipment	23	
8 Disassembly and Assembly Instructions	24	
8.1. Disassembly Flow Chart	24	
8.2. P.C.B. Layout	24	
8.3. Disassembly Procedures	25	
8.4. Disassembly Procedures of Camera Lens Unit	34	
9 Measurements and Adjustments	36	
9.1. EEPROM Data for spare parts of the MAIN P.C.B.	36	
9.2. Service Positions	36	
9.3. Location for Connectors of the Main P.C.B.	38	
9.4. Electrical Adjustment	39	
10 Maintenance	41	
10.1. Cleaning Lens and LCD Panel	41	
11 Factory Setting	42	
11.1. How to turn on the factory setting?	42	
11.2. What is the factory settings?	43	

1 Safety Precautions

1.1. General Guidelines

1. IMPORTANT SAFETY NOTICE

There are special components used in this equipment which are important for safety. These parts are marked by \triangle in the Schematic Diagrams, Circuit Board Layout, Exploded Views and Replacement Parts List. It is essential that these critical parts should be replaced with manufacturer's specified parts to prevent X-RADIATION, shock fire, or other hazards. Do not modify the original design without permission of manufacturer.

2. An Isolation Transformer should always be used during the servicing of AC Adaptor whose chassis is not isolated from the AC power line. Use a transformer of adequate power rating as this protects the technician from accidents resulting in personal injury from electrical shocks. It will also protect AC Adaptor from being damaged by accidental shorting that may occur during servicing.
3. When servicing, observe the original lead dress. If a short circuit is found, replace all parts which have been overheated or damaged by the short circuit.
4. After servicing, see to it that all the protective devices such as insulation barriers, insulation papers shields are properly installed.
5. After servicing, make the following leakage current checks to prevent the customer from being exposed to shock hazards.

1.1.1. Leakage Current Cold Check

1. Unplug the AC cord and connect a jumper between the two prongs on the plug.
2. Measure the resistance value, with an ohmmeter, between the jumpered AC plug and each exposed metallic cabinet part on the equipment such as screwheads, connectors, control shafts, etc. When the exposed metallic part has a return path to the chassis, the reading should be between $1M\Omega$ and $5.2M\Omega$. When the exposed metal does not have a return path to the chassis, the reading must be infinity.

1.1.2. Leakage current hot check (See Figure 1)

1. Plug the AC cord directly into the AC outlet. Do not use an isolation transformer for this check.
2. Connect "A" to exposed metallic part on the set. And connect "B" to a good earth ground, as shown in Figure 1.
3. Use an AC voltmeter, with $1\text{ k}\Omega/V$ or more sensitivity, to measure the potential across the resistor.
4. Check each exposed metallic part, and measure the voltage at each point.
5. Reverse the AC plug in the AC outlet and repeat each of the above measurements.
6. The potential at any point should not exceed 0.25 V RMS . A leakage current tester (Simpson Model 229 or equivalent) may be used to make the hot checks, leakage current must not exceed $1/2\text{ mA}$. In case a measurement is outside of the limits specified, there is a possibility of a shock hazard, and the equipment should be repaired and rechecked before it is returned to the customer.

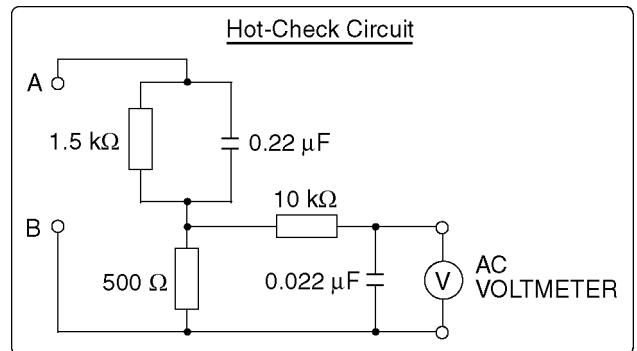


Figure 1

2 Warning

2.1. Prevention of Electrostatic Discharge (ESD) to Electrostatic Sensitive (ES) Devices

Some semiconductor (solid state) devices can be damaged easily by static electricity. Such components commonly are called Electrostatic Sensitive (ES) Devices. Examples of typical ES devices are integrated circuits and some field-effect transistors and semiconductor "chip" components. The following techniques should be used to help reduce the incidence of component damage caused by electrostatic discharge (ESD).

1. Immediately before handling any semiconductor component or semiconductor-equipped assembly, drain off any ESD on your body by touching a known earth ground. Alternatively, obtain and wear a commercially available discharging ESD wrist strap, which should be removed for potential shock reasons prior to applying power to the unit under test.
2. After removing an electrical assembly equipped with ES devices, place the assembly on a conductive surface such as aluminum foil, to prevent electrostatic charge buildup or exposure of the assembly.
3. Use only a grounded-tip soldering iron to solder or unsolder ES devices.
4. Use only an antistatic solder removal device. Some solder removal devices not classified as "antistatic (ESD protected)" can generate electrical charge sufficient to damage ES devices.
5. Do not use freon-propelled chemicals. These can generate electrical charges sufficient to damage ES devices.
6. Do not remove a replacement ES device from its protective package until immediately before you are ready to install it. (Most replacement ES devices are packaged with leads electrically shorted together by conductive foam, aluminum foil or comparable conductive material).
7. Immediately before removing the protective material from the leads of a replacement ES device, touch the protective material to the chassis or circuit assembly into which the device will be installed.

CAUTION:

Be sure no power is applied to the chassis or circuit, and observe all other safety precautions.

8. Minimize bodily motions when handling unpackaged replacement ES devices. (Otherwise harmless motion such as the brushing together of your clothes fabric or the lifting of your foot from a carpeted floor can generate static electricity (ESD) sufficient to damage an ES device).

IMPORTANT SAFETY NOTICE

There are special components used in this equipment which are important for safety. These parts are marked by \triangle in the schematic diagrams, Exploded Views and replacement parts list. It is essential that these critical parts should be replaced with manufacturer's specified parts to prevent shock, fire, or other hazards. Do not modify the original design without permission of manufacturer.

2.2. Service caution based on legal restrictions

2.2.1. General description about Lead Free Solder (PbF)

The lead free solder has been used in the mounting process of all electrical components on the printed circuit boards used for this equipment in considering the globally environmental conservation.

The normal solder is the alloy of tin (Sn) and lead (Pb). On the other hand, the lead free solder is the alloy mainly consists of tin (Sn), silver (Ag) and Copper (Cu), and the melting point of the lead free solder is higher approx.30 degrees C (86°F) more than that of the normal solder.

Definition of PCB Lead Free Solder being used

The letter of "PbF" is printed either foil side or components side on the PCB using the lead free solder. (See right figure)

PbF

Service caution for repair work using Lead Free Solder (PbF)

- The lead free solder has to be used when repairing the equipment for which the lead free solder is used.
(Definition: The letter of "PbF" is printed on the PCB using the lead free solder.)
- To put lead free solder, it should be well molten and mixed with the original lead free solder.
- Remove the remaining lead free solder on the PCB cleanly for soldering of the new IC.
- Since the melting point of the lead free solder is higher than that of the normal lead solder, it takes the longer time to melt the lead free solder.
- Use the soldering iron (more than 70W) equipped with the temperature control after setting the temperature at 350±30 degrees C (662±86°F).

Recommended Lead Free Solder (Service Parts Route.)

- The following 3 types of lead free solder are available through the service parts route.
RFKZ03D01KS----- (0.3mm 100g Reel)
RFKZ06D01KS----- (0.6mm 100g Reel)
RFKZ10D01KS----- (1.0mm 100g Reel)

Note:

- * Ingredient: tin (Sn), 96.5%, silver (Ag) 3.0%, Copper (Cu) 0.5%, Cobalt (Co) / Germanium (Ge) 0.1 to 0.3%

2.3. Caution for AC Cord (For EB/GC/GA)

2.3.1. Information for your safety

IMPORTANT

Your attention is drawn to the fact that recording of pre-recorded tapes or discs or other published or broadcast material may infringe copyright laws.

WARNING

To reduce the risk of fire or shock hazard, do not expose this equipment to rain or moisture.

CAUTION

To reduce the risk of fire or shock hazard and annoying interference, use the recommended accessories only.

FOR YOUR SAFETY

DO NOT REMOVE THE OUTER COVER

To prevent electric shock, do not remove the cover. No user serviceable parts inside. Refer servicing to qualified service personnel.

2.3.2. Caution for AC mains lead

For your safety, please read the following text carefully.

This appliance is supplied with a moulded three-pin mains plug for your safety and convenience.

A 5-ampere fuse is fitted in this plug.

Should the fuse need to be replaced please ensure that the replacement fuse has a rating of 5 amperes and it is approved by ASTA or BSI to BS1362

Check for the ASRA mark or the BSI mark on the body of the fuse.



If the plug contains a removable fuse cover you must ensure that it is refitted when the fuse is replaced.

If you lose the fuse cover, the plug must not be used until a replacement cover is obtained.

A replacement fuse cover can be purchased from your local Panasonic Dealer.

If the fitted moulded plug is unsuitable for the socket outlet in your home then the fuse should be removed and the plug cut off and disposed of safely.

There is a danger of severe electrical shock if the cut off plug is inserted into any 13-ampere socket.

If a new plug is to be fitted please observe the wiring code as shown below.

If in any doubt, please consult a qualified electrician.

2.3.2.1. Important

The wires in this mains lead are coloured in accordance with the following code:

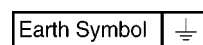
Blue	Neutral
Brown	Live

As the colours of the wires in the mains lead of this appliance may not correspond with the coloured markings identifying the terminals in your plug, proceed as follows:

The wire which is coloured BLUE must be connected to the terminal in the plug which is marked with the letter N or coloured BLACK.

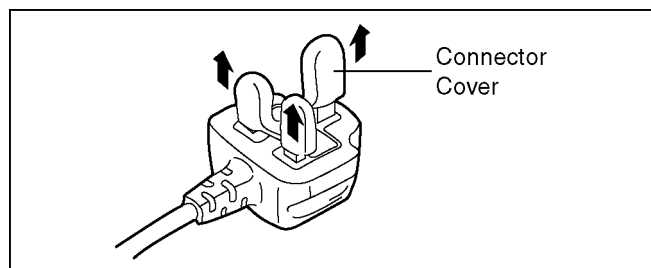
The wire which is coloured BROWN must be connected to the terminal in the plug which is marked with the letter L or coloured RED.

Under no circumstances should either of these wires be connected to the earth terminal of the three pin plug, marked with the letter E or the Earth Symbol.



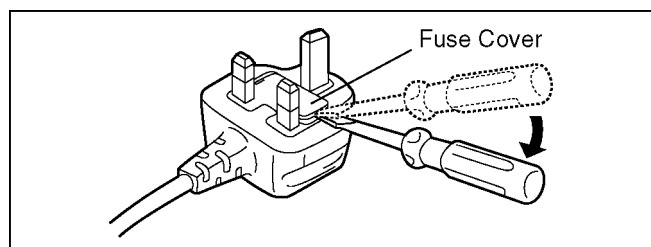
2.3.2.2. Before use

remove the Connector Cover as follows.

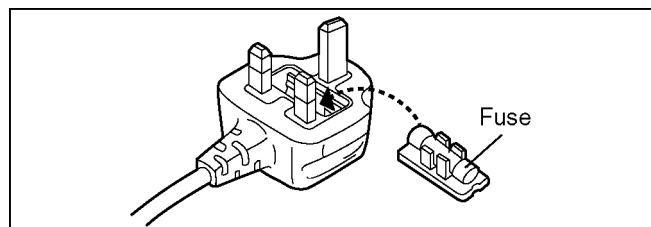


2.3.2.3. How to replace the Fuse

1. Remove the Fuse Cover with a screwdriver.

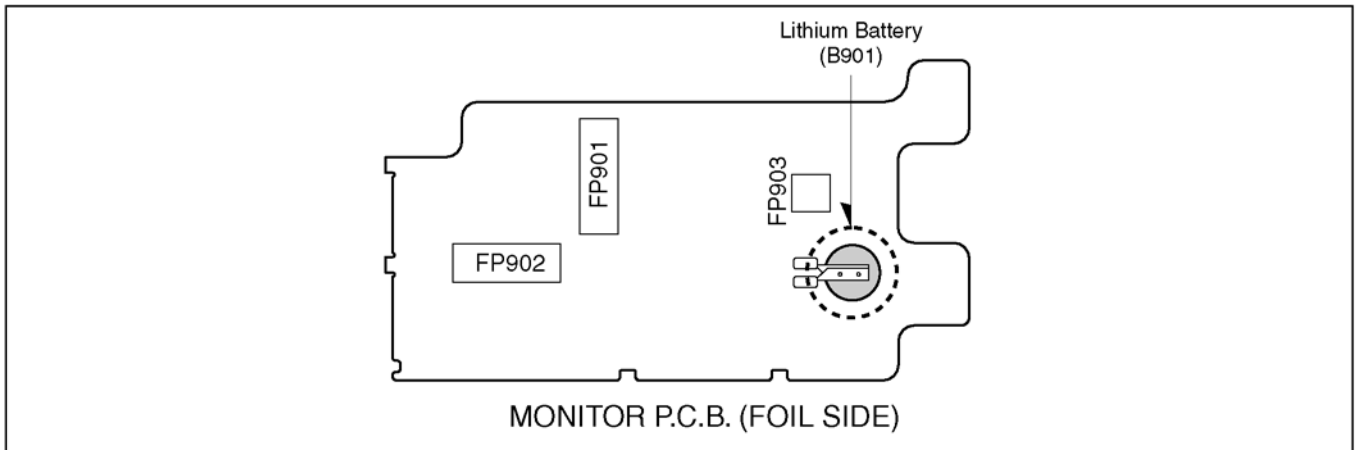


2. Replace the fuse and attach the Fuse cover.



2.4. How to Replace the Lithium Battery (PROCEDURE)

1. Remove the Monitor P.C.B. (Refer to Disassembly Procedures.)
2. Unsolder the Lithium Battery "ML-614S/DN" and then replace the new one. (See Fig. B1)



CAUTION

Danger of explosion if battery is incorrectly replaced.
Replace only with the same or equivalent type.

CAUTION

The battery used in this device may present a risk of fire or chemical burn if mistreated.
Do not recharge, disassemble, heat above 100°C (212°F), or incinerate.
Replace battery with Panasonic part number ML-614S/DN only.
Use of another battery may present a risk of fire or explosion.
Dispose of used battery promptly.
Keep away from children.
Do not disassemble and do not dispose of in fire.

Fig. B1

Note:

The lithium battery is a critical component.

(Type No.: ML-614S/DN **Manufactured by Energy Company, Panasonic Corporation**)

It must never be subjected to excessive heat or discharge.

It must therefore only be fitted in equipment designed specifically for its use.

Replacement batteries must be of the same type and manufacture.

They must be fitted in the same manner and location as the original battery, with the correct polarity contacts observed.

Do not attempt to re-charge the old battery or re-use it for any other purpose.

It should be disposed of in waste products destined for burial rather than incineration.

(For English)

CAUTION

Danger of explosion if battery is incorrectly replaced.
Replace only with the same or equivalent type recommended by the equipment manufacturer.
Discard used batteries according to manufacturer's instructions.

(For French)

PRECAUTION

Le fait de remplacer incorrectement la pile peut présenter des risques d'explosion.
Remplacer la pile uniquement par une pile identique ou de type équivalent recommandée par le fabricant. Se débarrasser des piles usagées conformément aux instructions du fabricant.

(For German)

VORSICHT

Bei einer falsch eingesetzten Batterie besteht Explosionsgefahr. Nur mit einer vom gleichen Typ ersetzen.
Verbrauchte Batterien beim Fachhändler oder einer Sammelstelle für Sonderstoffe abliefern.

(For Swedish)

VARNING

Explosionsfara vid felaktigt batteribyte.
Använd samma batterityp eller en ekvivalent typ som rekommenderas av apparattillverkaren.
Kassera använt batteri enligt fabrikantens instruktion.

(For Norwegian)

ADVARSEL!

Lithiumbatteri-Eksplodingsfare ved feilagtig håndtering.
Udskiftning må kun ske med batteri af samme fabrikat og type.
Levér det brugte batteri tilbage til leverandøren.

(For Finnish)

VAROITUS

Paristo voi räjähtää, jos se on virheellisesti asennettu.
Vaihda paristo ainoastaan laitevalmistajan suositteluun tyypin.
Hävitä käytetty paristo valmistajan ohjeiden mukaisesti.

Note:

Above caution is applicable for a battery pack which is for SDR-H100/H101 series, as well.

2.5. How to Recycle the Lithium Battery (U.S. Only)

U.S.A./CANADA CONSUMERS: ATTENTION:



A lithium ion/polymer battery that is recyclable powers the product you have purchased. Please call 1-800-8-BATTERY for information on how to recycle this battery.

3 Service Navigation

3.1. Service Information

This service manual contains technical information which will allow service personnel's to understand and service this model.

Please place orders using the parts list and not the drawing reference numbers.

If the circuit is changed or modified, this information will be followed by supplement service manual to be filed with original service manual.

Notes 1:

This service manual does not contain the following information, because of the impossibility of servicing at component level.

1. Schematic Diagram, Block Diagram and P.C.B. layout of Main P.C.B.
2. Parts List for individual parts of Main P.C.B.

3.2. How to Define the Model Suffix (NTSC or PAL model)









There are eight kinds of SDR-H100/H101, regardless of the colours.

- a) SDR-H100P
- b) SDR-H100PC
- c) SDR-H100EB/EC/EF/EG/EP, SDR-H101EB
- d) SDR-H100EE
- e) SDR-H100GT
- f) SDR-H101GA/GN
- g) SDR-H101GK
- h) SDR-H101PR/PU/GC

What is the difference is that the "INITIAL SETTINGS" data which is stored in Flash ROM mounted on Main P.C.B.

3.2.1. Defining methods

To define the model suffix to be serviced, refer to the nameplate which is putted on the bottom side of the Unit.

<p>a) SDR-H100P The nameplate for this model shows the following Safety registration mark.</p> 	 <p>Safety registration mark</p>
<p>b) SDR-H100PC The nameplate for these models show the following Safety registration mark.</p> 	
<p>c) SDR-H100EB/EC/EF/EG/EP, SDR-H101EB The nameplate for these models show the following Safety registration mark.</p> 	
<p>d) SDR-H100EE The nameplate for this model show the following Safety registration mark.</p> 	<p>f) SDR-H101GA/GN The nameplate for these models show the following Safety registration mark.</p> 
<p>e) SDR-H100GT The nameplate for this model show the following Safety registration mark.</p> 	<p>g) SDR-H101GK The nameplate for these models show the following Safety registration mark.</p> 
	<p>h) SDR-H101PR/PU/GC The nameplate for these models do not show any above safety registration mark.</p>

Note:

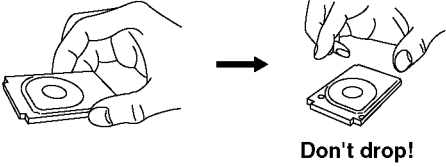

After replacing the MAIN P.C.B., be sure to achieve adjustment.

The adjustment instruction is available at "software download" on the "Support Information from NWBG/VDBG-AVC" web-site in "TSN system", together with Maintenance software.

3.3. Precautions for Handling HDD

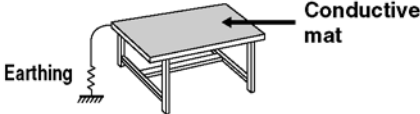

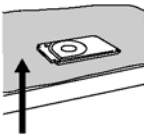
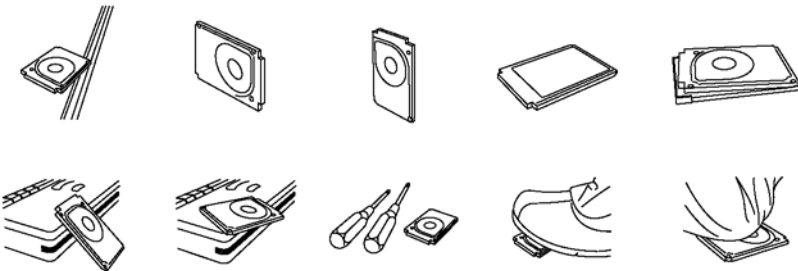


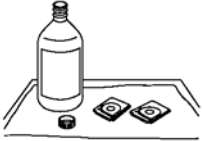
1. Handle HDD very carefully to prevent the static electricity and shock.
2. Set the HDD quickly after taking it out from the package. Make sure to put the HDD on buffer materials, etc.

3.3.1. Precautions at incoming process and for opening packages

Preventing shock	<ul style="list-style-type: none"> • Do not throw down HDD from luggage carrier or avoid dropping accidentally when unloading. The HDD may not be reliable when impacts of dropping, throwing or rolling occur. • Avoid HDD hitting other equipment or other HDD. Hold HDD firmly but do not apply excessive force when taking out from the package because it is particularly slippery. • When taking out HDD from the package, make sure to put buffer materials such as conductive urethane materials on a work table. Also, a stable place is recommended to avoid impacts or vibration.
Preventing condensation	<ul style="list-style-type: none"> • To prevent dew condensation on HDD due to sharp temperature change, keep it indoors without unpacking, and adjust the package of HDD to room temperature completely before unpacking. • Avoid entrance or window areas where temperature changes easily for storage.
Holding example	<ul style="list-style-type: none"> • Take out HDD holding both sides, not to press the top cover and the center of the device label. <div style="text-align: center;"> <p><OK></p>  <p>Don't drop!</p> <p><NG></p>  </div>
Preventing static electricity	<ul style="list-style-type: none"> • After opening package, HDD must be handled only by a specified worker in E.S.D.* free environment on a conductive mat. It may cause damage on HDD components due to overvoltage such as electrostatic discharge, etc.

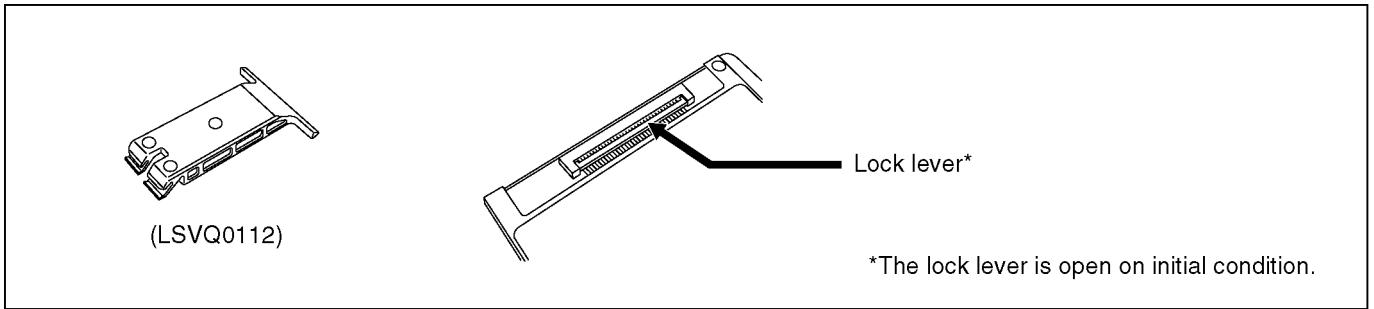
*E.S.D. = Electrostatically Sensitive Devices

3.3.2. Precautions for installing HDD

<p>Preventing static electricity</p>	<ul style="list-style-type: none"> HDD may be destroyed by static electricity charged to clothes or human body. Place a conductive mat with removed earthing and use the wrist strap to prevent static charge. <div style="display: flex; justify-content: space-around; align-items: center;"> <div style="text-align: center;"> <p><OK></p>  </div> <div style="text-align: center;"> <p><OK></p>  </div> </div>
<p>Preventing shock</p>	<ul style="list-style-type: none"> Place HDD with its face upward (the device label upward) on the flat and stable surface using buffer materials, etc. Do not stand HDD. If it falls down, the excessive impacts may damage HDD. Do not store or carry HDD close to other HDD or other components. The components may be distorted due to impacts or weight, which may result in the performance deterioration of the HDD. Do not put HDD in the working area. Do not put HDD close to industrial tools in particular or temporarily put it on the floor. Be extremely careful not to drop HDD when working on it because even dropping HDD down on the work table with a mat on it may cause damage to HDD. <div style="display: flex; justify-content: space-around; align-items: center;"> <div style="text-align: center;"> <p><OK></p>  </div> <div style="text-align: center;"> <p><NG></p>  </div> </div>
<p>No water / solvent</p>	<ul style="list-style-type: none"> Do not hold HDD with a wet hand or put magnets, solvent, tea, coffee, etc, close to HDD. This affects internal components and outside of HDD <div style="display: flex; justify-content: space-around; align-items: center;"> <div style="text-align: center;"> <p><NG></p>  </div> <div style="text-align: center;">  </div> <div style="text-align: center;">  </div> </div>
<p>Connector</p>	<ul style="list-style-type: none"> The interface connector pin is easily damaged. Push it lightly and firmly to the end along the connector guide. For further details, refer to "Precautions for inserting and removing HDD FPC".

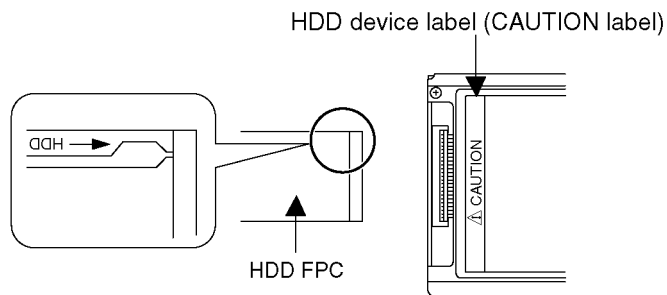
3.3.3. Precautions for inserting and removing HDD FPC

Make sure to use the tool (LSVQ0112) when locking and unlocking the lock lever of HDD FPC connector. Do not lock the lock lever without inserting HDD FPC. Otherwise, the connector may be damaged.



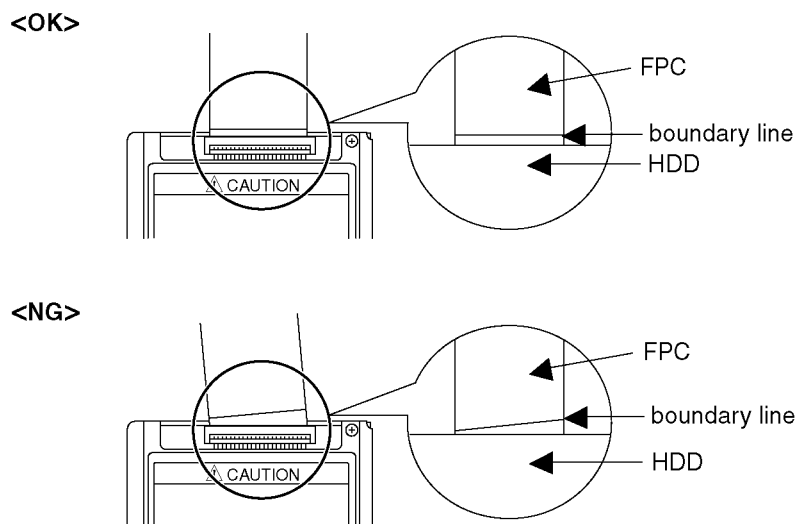
Insert HDD FPC

- ① Place HDD so that HDD device label (CAUTION label) faces up.
Caution: Do not set the HDD cushion when installing HDD FPC.
- ② Insert HDD FPC straight to the connector, and make sure if HDD FPC has been inserted to the end.
Caution: The connector surface of HDD FPC must face down and the letter "HDD" and the arrow must be seen as shown.



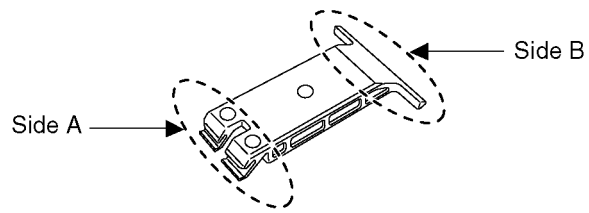
Check HDD FPC

Make sure if HDD FPC has been correctly inserted by confirming the FPC pattern boundary line.



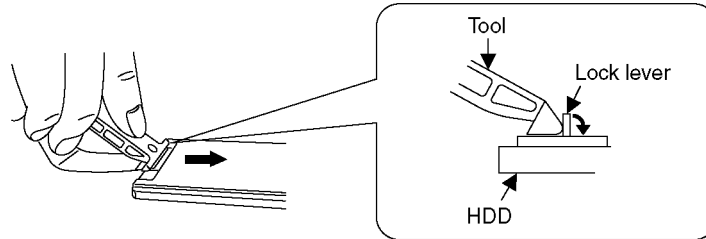
Tool operation

Lock using the tool after inserting HDD FPC.



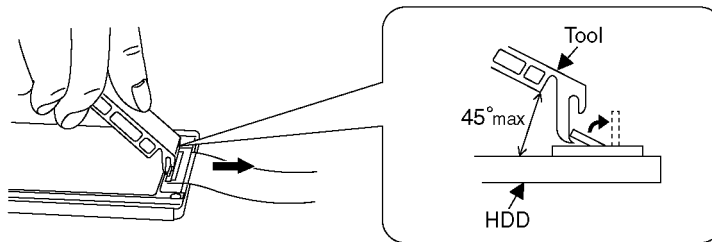
<How to lock>

After inserting HDD FPC, put the tool (Side B) on the connector and slide it slightly to the direction as shown to lock the lock lever.



<How to unlock>

Hook up the tip of the tool (Side A) and unlock the lock lever.
The angle of the tool must be less than 45 degree.



Make sure to use the tool (LSVQ0112) when opening and closing the lock lever.

*When install the HDD to main unit, necessary install the HDD FPC and HDD damper.

3.4. Formatting HDD

When HDD is exchanged, format HDD as the procedure below.

Without formatting, the error message appears on the LCD display when accessing HDD.

(Formatting procedure)

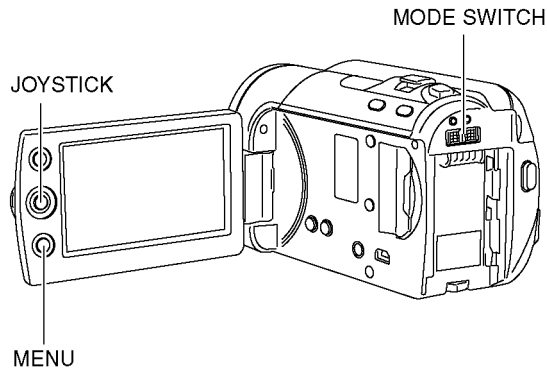
The Mode Switch to select .

Press the MENU button, then

select [SETUP] →

[FORMAT MEDIA] → [HDD] and

press the joystick.



When the confirmation message appears, select [YES], then press the joystick.

- When formatting is complete, press the MENU button to exit the message screen.

Note:

- During formatting, do not turn this unit off.
- When you format the HDD, use a battery with sufficient battery power or the AC adaptor.
- During formatting, do not cause any vibrations or impacts to this unit.

4 Specifications

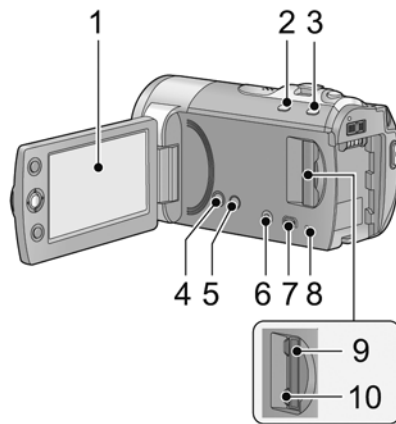
SD/HDD Video Camera

ITEM	SPECIFICATION		ITEM	SPECIFICATION												
POWER	SD/HDD Video Camera: Power Source: DC 5.0 V (When using AC adaptor) DC 3.6 V (When using battery) Power Consumption: 3.6 W (Recording; SDR-H100) 3.8 W (Recording; SDR-H101) 7.7 W (Charging) AC Adaptor: Power Source: AC 110-240 V, 50/60 Hz Power Consumption: 12 W DC Output: DC 5.0V, 1.6 A (Unit Operation)		STILL PICTURES	Recording Media: SD Memory Card (removable type): 8 MB /16 MB /32 MB /64 MB /128 MB /256 MB / 512 MB /1 GB/2 GB (FAT12 and FAT16 system compliant) SDHC Memory Card (removable type): 4 GB /6 GB /8 GB /12 GB /16 GB /32 GB (FAT32 system compliant) SDXC Memory Card (removable type): 48 GB /64 GB (exFAT system compliant) HDD (fixed): 80 GB Compression: JPEG (Design rule for Camera File system, based on Exif 2.2 standard), DPOF corresponding Picture Size: 640 × 480 (4:3), 640 × 360 (16:9)												
RECORDING FORMAT	SD Card	Based on the SD-Video standard	STANDARD ILLUMINATION	1,400 lx												
	HDD	Independent standard														
CAMERA	Zoom: 70X optical, 78X enhanced Optical, 100X/3500X digital		MINIMUM REQUIRED ILLUMINATION	Approx. 5lx (1/25 in low light mode; Except SDR-H100P/ PC/GT, H101PR/PU) Approx. 5lx (1/30 in low light mode; SDR-H100P/PC/GT, H101PR/PU) Approx. 2lx with the colour night view function or colour night rec function												
	Monitor: 2.7 - inch (6.7 cm) wide LCD (approx. 123K pixels)															
	Lens: Auto Iris, F1.9 - F5.7, Focal Length; 1.48 - 104 mm Macro (Wide Range AF)															
VIDEO	Image Sensor: 1/8 - inch (1/8 type) CCD Image Sensor		USB	SD Card Read/Write (No copyright protection support) HDD Read only Hi-Speed USB (USB 2.0) compliant USB terminal Type Mini AB												
	Television System : EIA Standard : 525 Lines, 60 Fields NTSC Colour Signal (SDR-H100P/PC/GT, H101PR/PU) CCIR : 625 Lines, 50 Fields PAL Colour Signal (Except SDR-H100P/PC/GT, H101PR/PU)															
AUDIO	Video Output Level: 1.0 Vp-p, 75 ohm, NTSC/PAL System (AV Multi Jack)		MICROPHONE	Stereo (with a zoom function)												
	Audio Output Level (Line): 316 mV, 600 ohm, 2 ch (AV Multi Jack)		SPEAKER	1 round speaker												
MOTION PICTURES	Recording media: SD Memory Card (removable type) : 512 MB/1 GB/2 GB (FAT12 and FAT16 system compliant) SDHC Memory Card (removable type) : 4 GB /6 GB /8 GB /12 GB /16 GB /32 GB (FAT32 system compliant) SDXC Memory Card (removable type) : 48 GB /64 GB (exFAT system compliant) HDD (fixed type): 80 GB Compression: MPEG-2 Recording mode and transfer rate: XP: Approx. 10 Mbps (VBR) SP: Approx. 5 Mbps (VBR) LP: Approx. 2.5 Mbps (VBR)		OPERATING TEMPERATURE	0°C - 40°C (32 °F - 104 °F)												
	Recordable time: Approx.		OPERATING HUMIDITY	10 % - 80 %												
	<table border="1"> <thead> <tr> <th></th> <th>SD Card (4GB)</th> <th>HDD (80GB)</th> </tr> </thead> <tbody> <tr> <td>XP</td> <td>50 minutes</td> <td>18 h. 30 min.</td> </tr> <tr> <td>SP</td> <td>1 h. 40 min.</td> <td>37 hours</td> </tr> <tr> <td>LP</td> <td>3 h. 20 min.</td> <td>74 h. 30 min.</td> </tr> </tbody> </table>			SD Card (4GB)	HDD (80GB)	XP	50 minutes	18 h. 30 min.	SP	1 h. 40 min.	37 hours	LP	3 h. 20 min.	74 h. 30 min.	MASS (WEIGHT)	SD/HDD Video Camera: Approx. 273 g (Approx. 0.6lbs) (without battery and SD Card) AC Adaptor: Approx. 115 g (0.25 lbs)
		SD Card (4GB)	HDD (80GB)													
	XP	50 minutes	18 h. 30 min.													
	SP	1 h. 40 min.	37 hours													
	LP	3 h. 20 min.	74 h. 30 min.													
	Picture size: 640 x 480 (4:3), 640 x 360 (16:9)		DIMENSIONS	SD/HDD Video Camera: (excluding projecting parts) 55.1 mm (W) × 64 mm (H) × 107.3 mm (D) 2.17 inch (W) × 2.52 inch (H) × 4.22 inch (D) AC Adaptor: 46 mm (W) × 25 mm (H) × 75.5 mm (D) 1.8 inch (W) × 1.0 inch (H) × 3.0 inch (D)												
	Audio compression: SD Card: Dolby Digital/MPEG-1 Audio Layer 2 (SDR-H100P/PC/GT, H101PR/PU) : MPEG-1 Audio Layer 2 (Except SDR-H100P/PC/GT, H101PR/PU) HDD : Dolby Digital (SDR-H100P/PC/GT, H101PR/PU) : MPEG-1 Audio Layer 2 (Except SDR-H100P/PC/GT, H101PR/PU)		STANDARD ACCESSORIES	1 pc. AC Adaptor 1 pc. Battery Pack Unit 1 pc. AC Cord (Except SDR-H101GA/GC) 2 pcs. AC Cord (SDR-H101GA/GC) 1 pc. AV Cable 1 pc. CD-ROM 1 pc. CD-ROM (Operation Instructions) (SDR-H100EC/EG, H101GA/GC) 1 pc. USB Cable												
			SOLDER	This model use lead free solder (PbF).												

Specifications may change without prior notice.

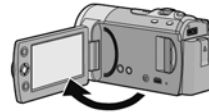
5 Location of Controls and Components

Followings are the Location of Controls and Components for SDR-H100P/PC, S70P/PC, S71P, T70P/PC as a sample. For other models, refer to each Operating Instructions.

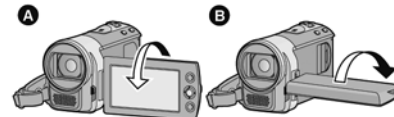


1 LCD monitor

- Pull the LCD monitor out in the direction of the arrow with your fingers.



- It can open up to 90°.



- It can rotate up to 180° **A** towards the lens or 90° **B** towards the opposite direction.
- The brightness and color level of the LCD monitor can be adjusted.

Due to limitations in LCD production technology, there may be some tiny bright or dark spots on the LCD monitor screen. However, this is not a malfunction and does not affect the recorded picture.

2 Intelligent auto/Manual button [IA/MANUAL]

3 Optical image stabilizer button [O.I.S.]

4 Power button [P/I]

5 Delete button [DEL]/ Light/Delete button [LIGHT/DEL] (SDR-S71)

6 Audio-video output terminal [A/V]

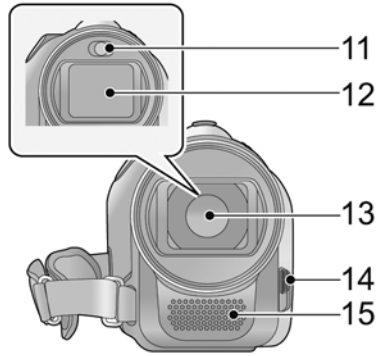
- Use the AV cable (only the supplied cable).

7 USB terminal [USB]

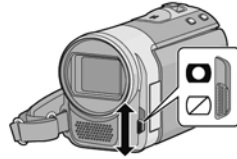
8 Access lamp [ACCESS]

9 SD card slot

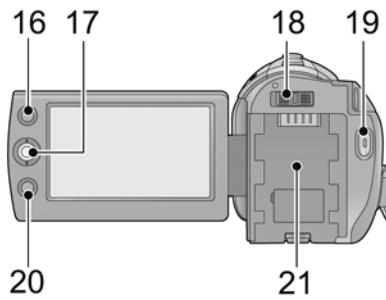
10 SD card cover [SD CARD]



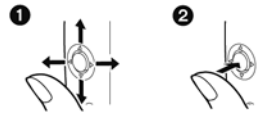
- 11 Video light (SDR-S71)
 - 12 Lens cover
 - 13 Lens
 - 14 Open/close switch for the lens cover
- For the lens protection, be sure to close the lens cover when not in use.
Slide open/close switch for the lens cover.



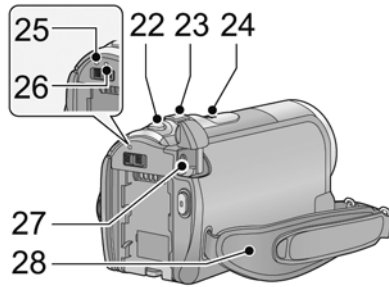
- 15 Microphone (built-in, stereo)



- 16 AF/AE button [AF/AE]
 - 17 Joystick
- Use the joystick to select the recording functions and playback operations, and to operate the menu screen.
Move the joystick up, down, left, or right to select a setting or scene and then press the joystick to set it.

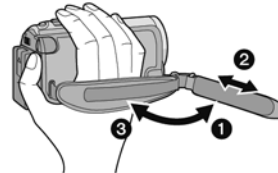


- ① Select by moving up, down, left or right.
- ② Set by pressing the center.
- Menu screen operations
- To select the recording functions
- To adjust manually
- Playback operations
- 18 Mode switch
- 19 Recording start/stop button
- 20 Menu button [MENU]
- 21 Battery holder

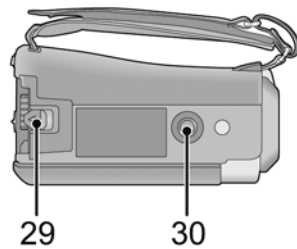


- 22 Photoshot button []
- 23 When recording: Zoom lever [W/T]
When playing back: Thumbnail display switch [/] / Volume lever [-VOL+]
- 24 Speaker
- 25 Status indicator
- 26 HDD access lamp [ACCESS HDD] (SDR-H100)
- 27 DC input terminal [DC IN]
 - Do not use any other AC adaptors except the supplied one.
- 28 Grip belt
Adjust the belt length and the pad position.

(U.S.A. only):
When this unit is purchased, a sensor tag is attached to the grip belt. Remove the tag before use.

 A small diagram showing the camcorder with a sensor tag attached to the grip belt. An arrow points to the tag, indicating it should be removed.


- ❶ Flip the belt.
- ❷ Adjust the length.
- ❸ Replace the belt.




- 29 Battery release lever [BATTERY]
- 30 Tripod receptacle

6 Service Mode

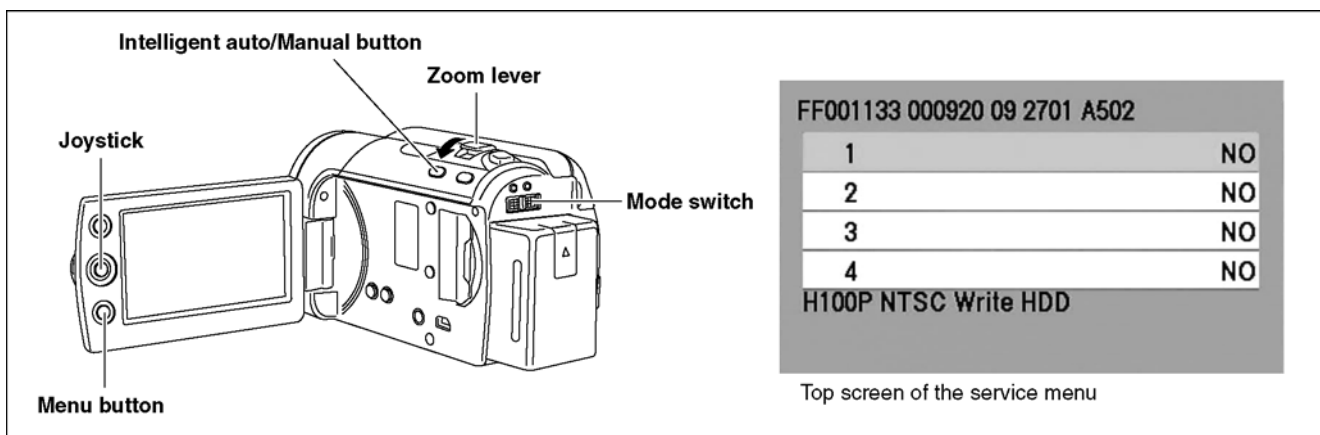
Note:

The screens of the service mode are for SDR-H100P.
For other models, refer to each screen of the service mode.

1. Indication method of the service menu

Set the mode switch "  Recording" mode.

- While keep pressing the "Intelligent auto/Manual" button and "Menu" button, hold left the Zoom Lever towards to "[W]" position for more than 3 seconds until the top screen of the Service Menu being displayed.



Service mode menu

Screen display	Contents	Function
1	Factory settings	Function to throw a product up in a factory shipment state
3	Self check execution	Function to check self as for the state of HDD
4	Lock search history indication	Display an error code for three histories saved in EEPROM
5	Power ON self check result display	Power ON self check (function to diagnose correct function of the device and interface between devices) result display
10	Lock search history clear	An error code for three histories in EEPROM is cleared

Note:

Do not using service mode except above table of Service Menu.

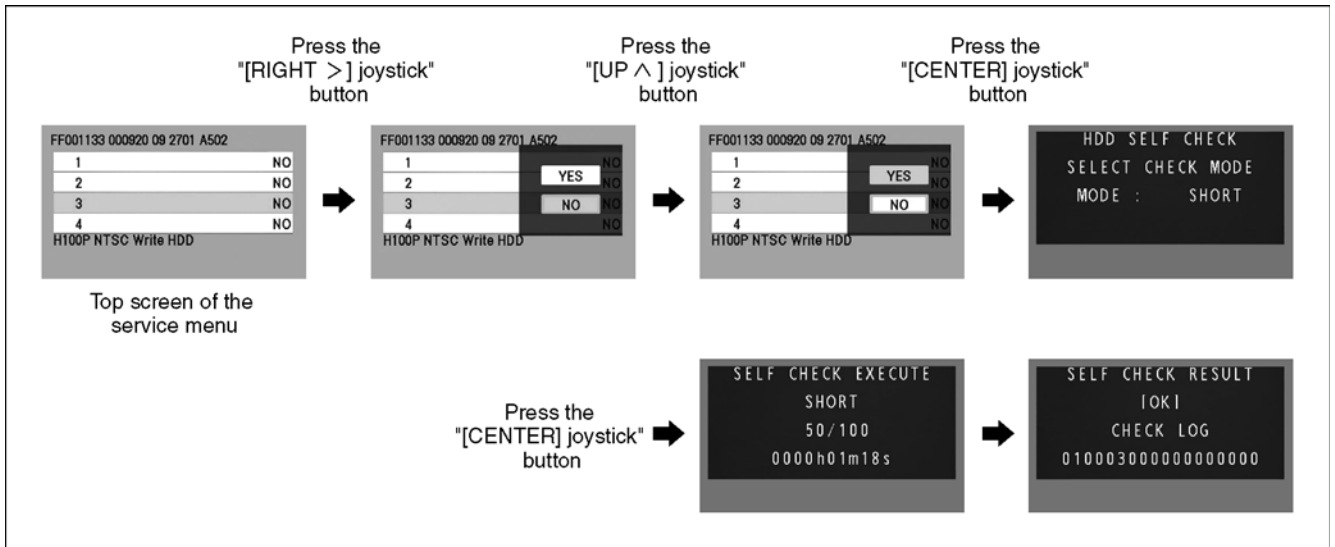
3. End method of the top screen of the service menu

Push the menu button to end the service mode, and then POWER OFF.

6.1. HDD Self Check

1. Select [3] HDD self check.

Operation specifications



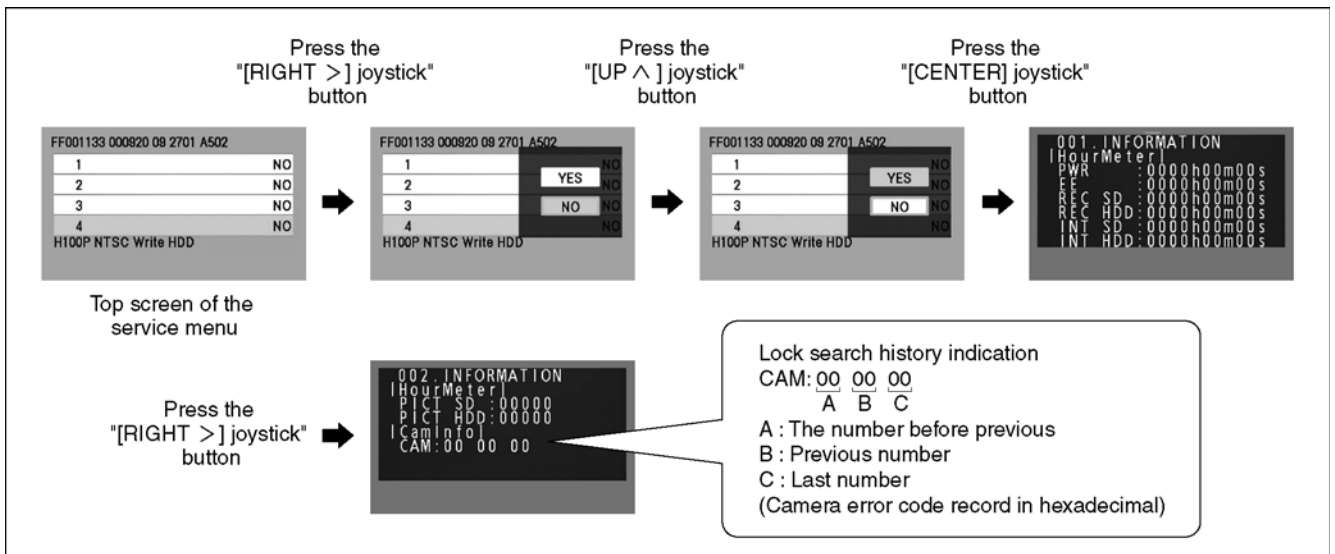
Indication contents

- HDD self check result display
 - Display the HDD self check result information.
 - Displays other than "OK" are abnormalities of HDD.
- Push the menu button to end the service mode, and then POWER OFF.

6.2. Lock Search History Indication

1. Select [4] Lock search history indication.

Operation specifications



Indication contents

- Lock search history indication
 - Display the camera system error code for three histories saved in EEPROM.
- The error code contents which are displayed

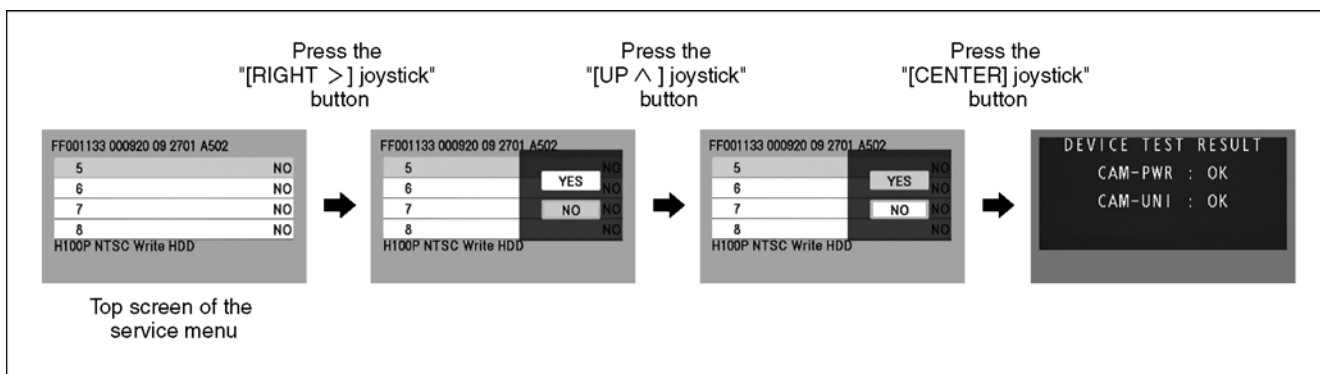
Error code	Function
51	Focus control is abnormal
52	Zoom control is abnormal
53	OIS lens control is abnormal
73	High temperature is abnormal
33	Communication between camera to ARM is abnormal (Check the peripheral circuits of IC2006 and IC3401.)

Lock search history indication is finished by POWER OFF.

6.3. Power ON Self Check Result Display

1. Select [5] Power ON self check result display.

Operation specifications



Indication contents

- Power ON self check result display

Function to diagnose correct function of the device and interface between devices result display.

Display the following communication test result.

- CAM-PWR : Communication test between IC2006 to IC1503
- CAM-UNI : Communication test between IC2006 to IC3401

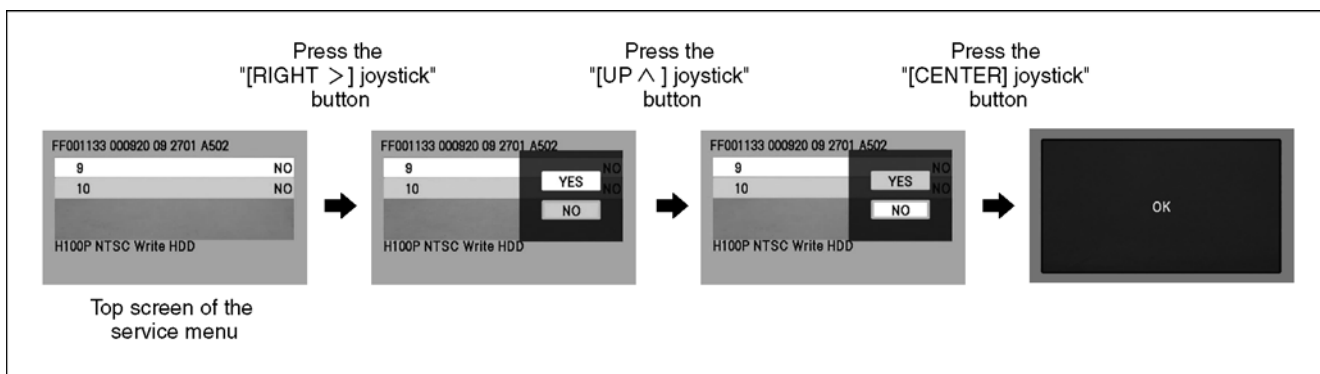
Display other than "OK" are abnormalities of each lines.

Power ON self check result display is finished by POWER OFF.

6.4. Lock Search History Clear

1. Select [10] Lock Search History Clear.

Operation specifications



- Lock Search History Clear

An error code for three histories in EEPROM is cleared.

Push the menu button to end the service mode, and then POWER OFF.

7 Service Fixture & Tools

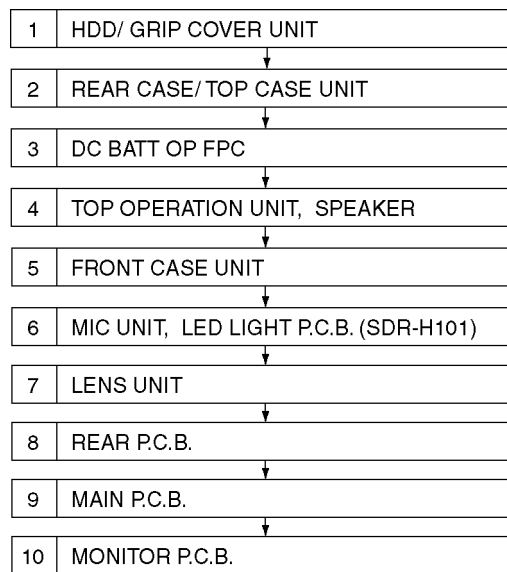
7.1. Service Tools and Equipment

Parts Name	Parts No.	Q'ty	Remarks
PC	---	1	
AC Adaptor	---	1	
DC Cable	---	1	
AV Multi Cable	---	1	
USB Cable	---	1	
PC-Adjustment Program	---	1	
Light Box	VFK1164LBX1	1	
Infinity Lens	VFK1164TCM02 or VFK1164TCM03	1	With Focus Chart
Color Bar Chart	VFK1164TFCB2	1	
Gray Scale Chart	VFK1164TFGS2	1	
Color Conversion	VFK1164TFCT2	1	
Light Box	VFK1164TDVLB or RFKZ0523	1	
Color Conversion (C12)	VFK1164LBB12	1	
Color Conversion (C2)	VFK1164LBB2	1	
Color Conversion (C4)	VFK1164LBB4	1	
Color Conversion (C8)	VFK1164LBB8	1	
Tripod	RFKZ0333B	1	
Adapter for infinity Lens	RFKZ0333H	1	
Grease	LSUQ0050	1	
Plier	LSUQ0028	1	
HDD Connector Tool	LSVQ0112	1	
Pin For CCD	RFKZ0476	1	
Extension Flat Cable (6pin)	VFK1480	1	FP6009 (Main) - Front Case/Mic Unit
Extension Flat Cable (27pin)	VFK1491	1	FP6001 (Main) - Side Case R/LCD Unit
Extension Flat Cable (33pin)	VFK1950	1	FP6008 (Main) - Lens Unit
Extension Flat Cable (18pin)	VFK1443	1	FP6007 (Main) - Prism Unit
Extension Flat Cable (22pin)	VFK1282	1	FP6004 (Main) - FP3901 (Rear)
Extension Flat Cable (40pin)	RFKZ0379	1	PP6002 (Main) - FP6701 (DC BATT OP FPC)
Extension Flat Cable (40pin)	RFKZ0379	1	PP6006 (Main) - HDD Unit

8 Disassembly and Assembly Instructions

8.1. Disassembly Flow Chart

This flow chart indicates the disassembly steps the cabinet parts and P.C.B. Unit in order to access to be serviced. When reinstalling, perform the steps in the reverse order.



8.2. P.C.B. Layout

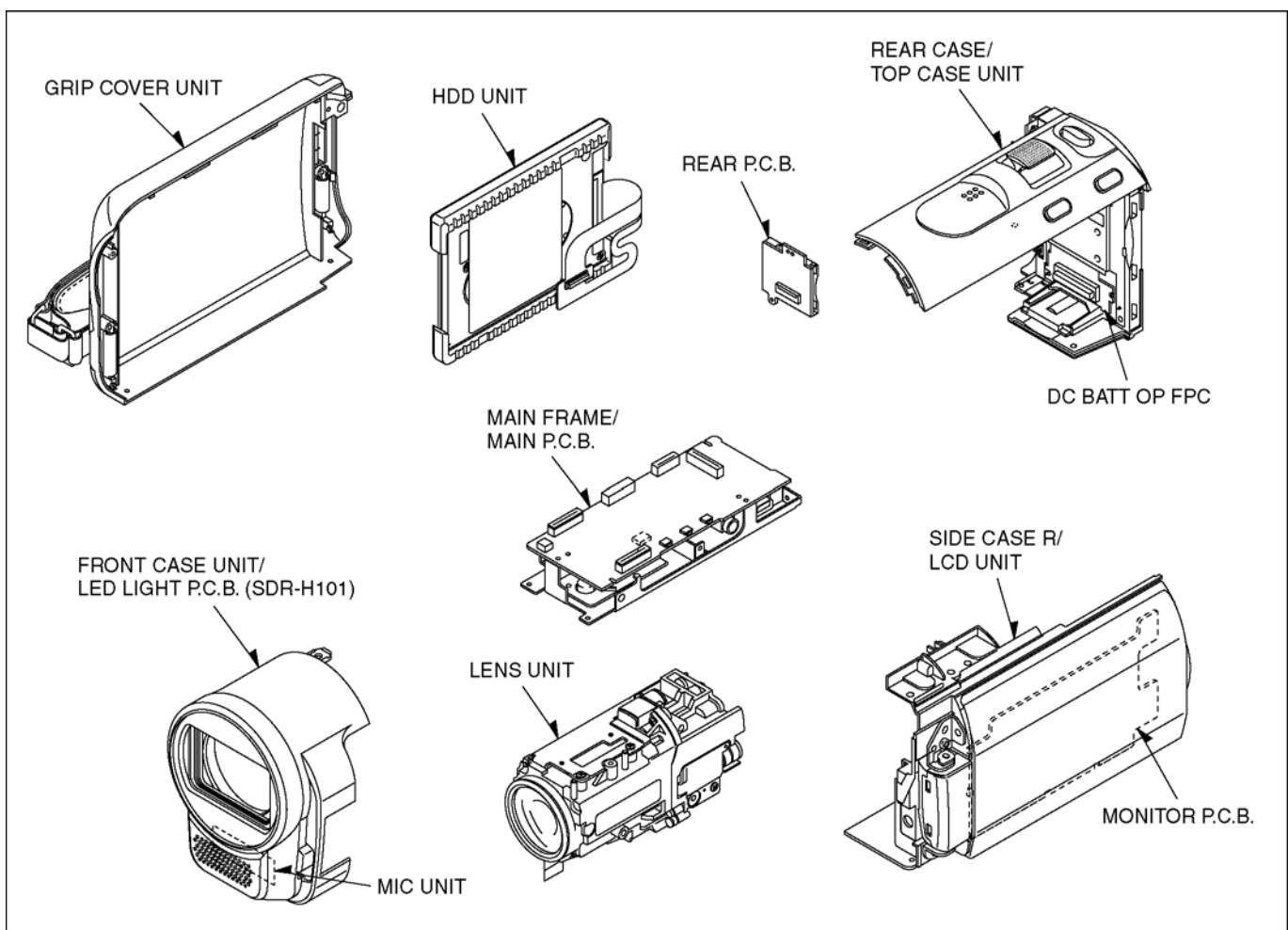


Fig. F1

8.3. Disassembly Procedures

Flow-Chart for Disassembly Procedure

No.	Item / Part	Fig.	Removal (Screw, Connector, FPC. & Other)			
1	HDD/ Grip Cover Unit	Fig.D2	2-Screws (A)			
		Fig.D3	4-Screws (B)			
			3-Tabs			
			1-Connector PP6006 HDD/ Grip Cover Unit			
		Fig.D4	1-Screw (C)			
			3-Tabs			
			Grip Piece			
			Grip Cover Unit HDD Unit			
		Fig.D5	Note for replacing HDD			
			1) How to Remove HDD Damper HDD			
Fig.D6	Note for replacing HDD					
	2) How to Attach					
2	Rear Case/ Top Case Unit	Fig.D7	4-Screws (D) 1-Connector PP6002 2-Tabs Rear Case/ Top Case Unit			
		3	DC BATT OP FPC	Fig.D8	2-Connectors FP6703, P6702 1-Screw (E) Top Case Unit Rear Case Unit	
				Fig.D9	2-Screws (F) Earth Plate DC BATT OP FPC	
4	Top Operation Unit, Speaker	Fig.D10	3-Screws (G) Top Operation Unit			
		Fig.D11	Note for attaching Top Operation Unit			
		Fig.D12	1-Screw (H) Speaker Angle Speaker			
			Fig.D13	Note for attaching Speaker Angle		
5	Front Case Unit	Fig.D14	2-Connectors FP6009, P6003 (SDR-H101)			
		Fig.D15	1-Screw (I) 2-Screws (J) 1-Tab Front Case Unit			
			6	Mic Unit, LED Light P.C.B. (SDR-H101)	Fig.D16	3-Screws (K) (1-Screw: SDR-H101) Shutter Unit LED Light P.C.B. (SDR-H101)
					Fig.D17	4-Tabs Shutter Cover Shutter Panel
Fig.D18	Mic Unit					
7	Lens Unit	Fig.D19	1-Screw (L) 3-Screws (M) Side L Angle			
			Fig.D20	1-Screw (N) 2-Connectors FP6007, FP6008 Lens Unit		
				8	Rear P.C.B.	Fig.D21

No.	Item / Part	Fig.	Removal (Screw, Connector, FPC. & Other)	
9	Main P.C.B.	Fig.D22	1-Connector FP6001 1-Screw (P) Main Frame Unit	
		Fig.D23	2-Screws (Q) Main P.C.B.	
10	Monitor P.C.B.	Fig.D24	Turn the LCD Case to the arrow direction so that the screws can be seen, and remove the 2 screws (R). 8-Tabs LCD Case A Unit 1-Connector FP901 Side Case R Unit LCD Case B Unit	
			Fig.D25	2-Connectors FP902, FP903 1-Screw (S) Menu Selector Unit 6-Tabs LCD Unit Monitor P.C.B.

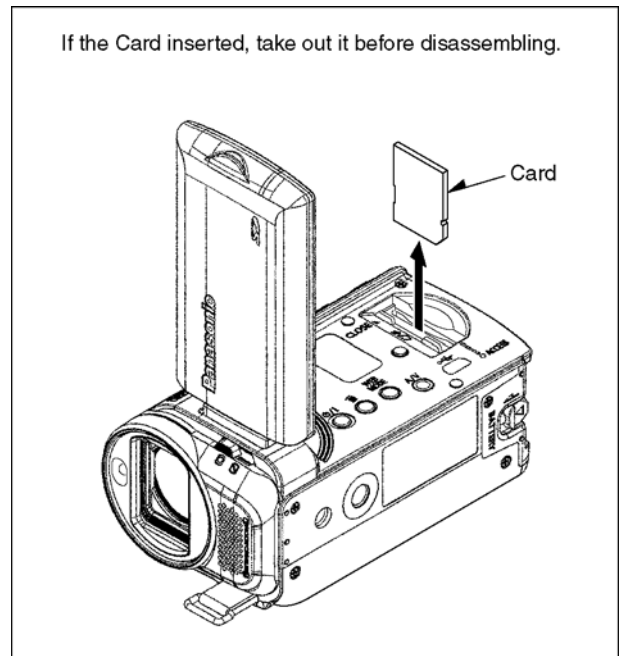


Fig. D1

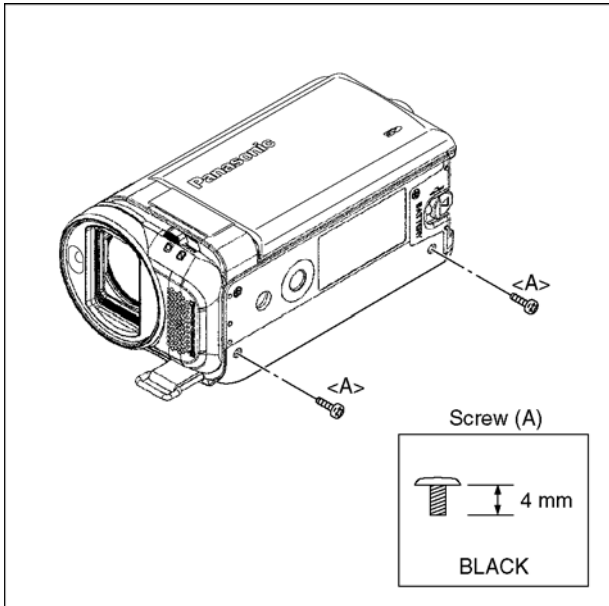


Fig. D2

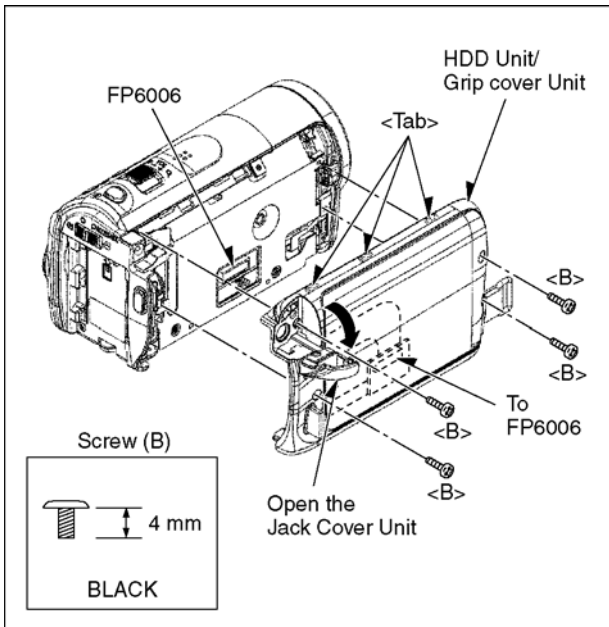


Fig. D3

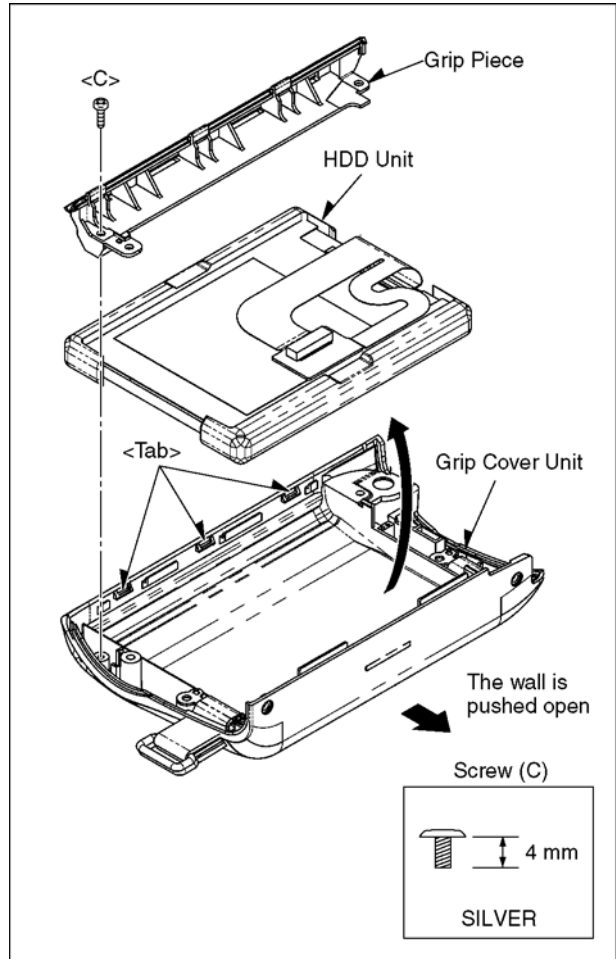


Fig. D4

Note for replacing HDD

- Be sure to use the tool when inserting and removing HDD FPC.

After replacing the HDD, be sure to format the new HDD.
See "Formatting HDD" in Service Navigation.

1) How to Remove

- ① Remove the HDD Damper from the HDD.
- ② Remove the HDD FPC from HDD using the tool.

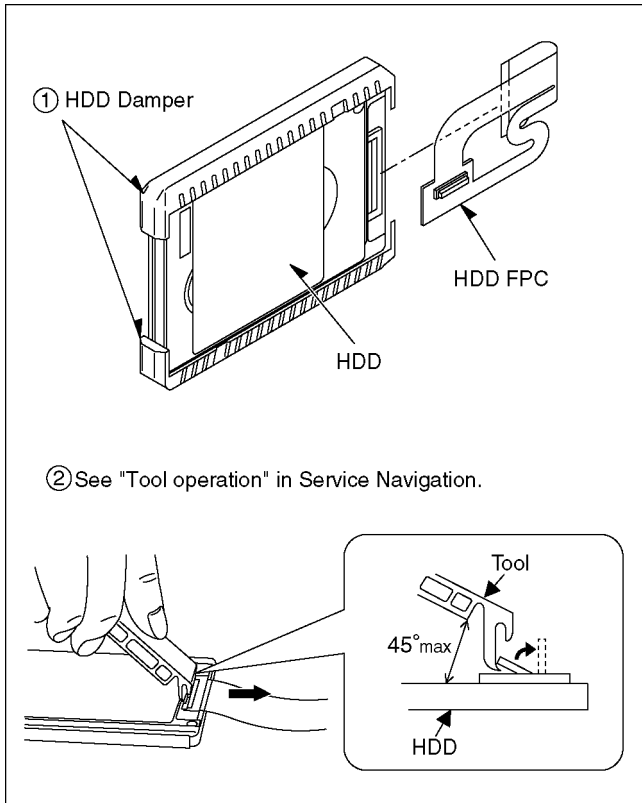


Fig. D5

2) How to Attach

- ① Attach the HDD FPC to the new HDD using the tool.
- ② Attach the HDD Damper to the HDD.

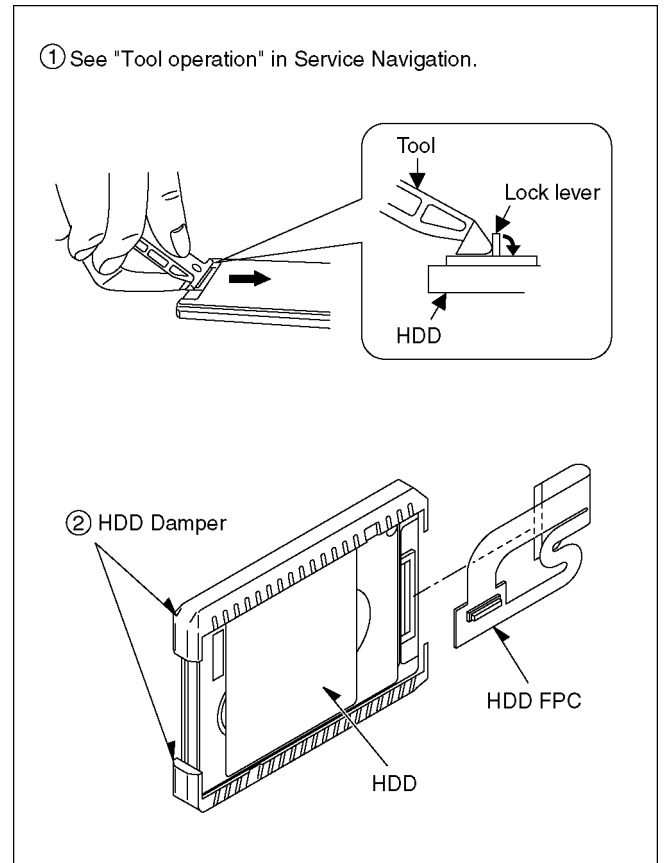


Fig. D6

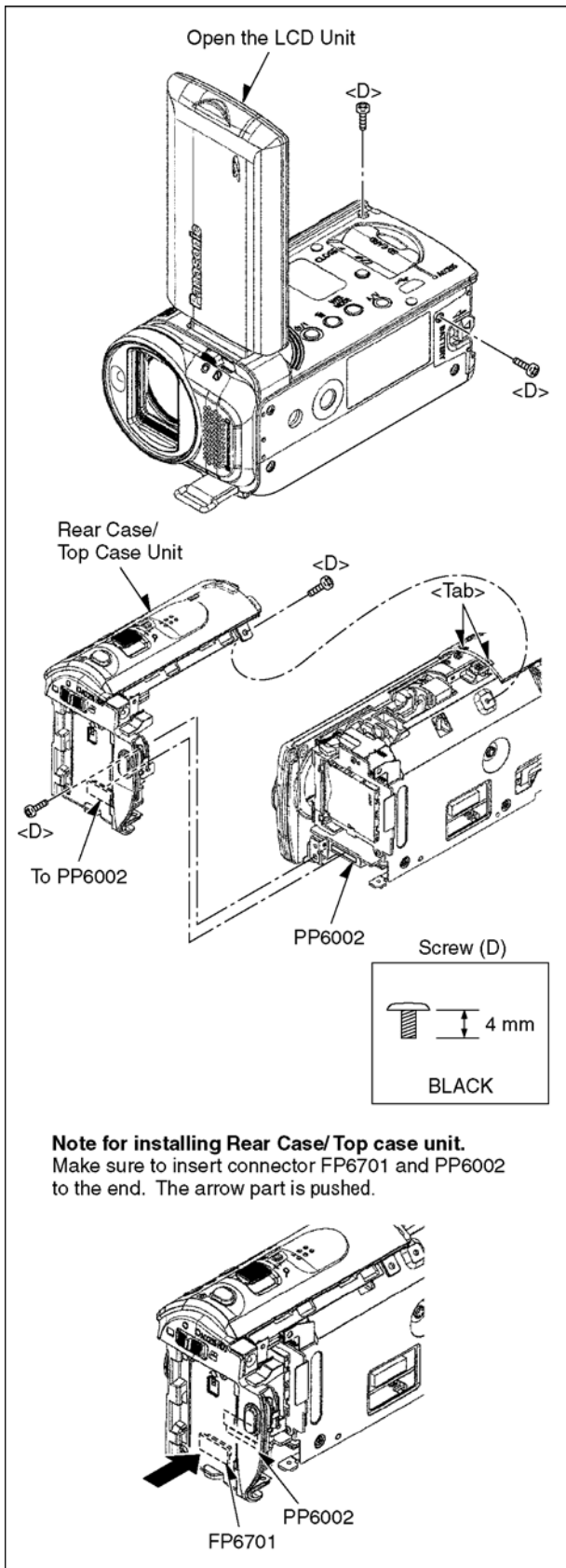


Fig. D7

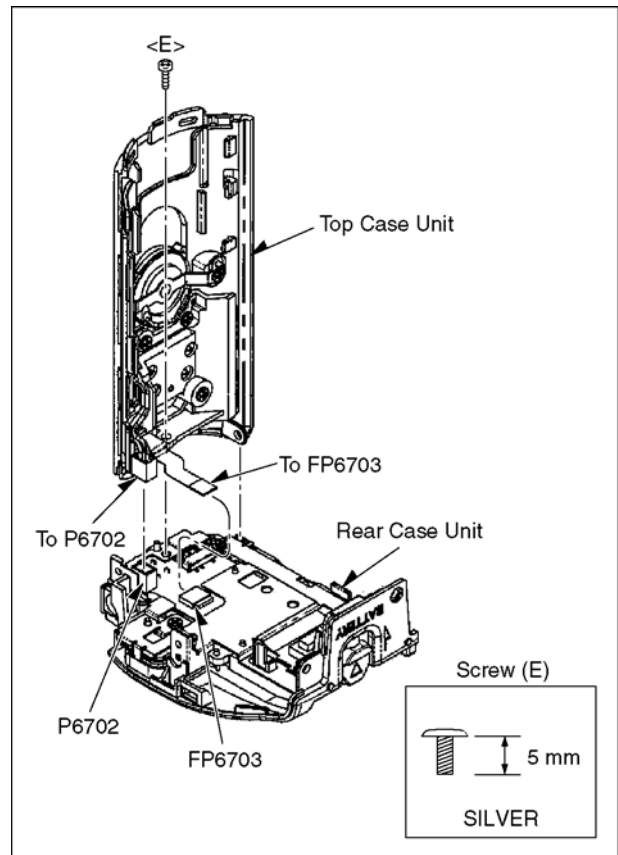


Fig. D8

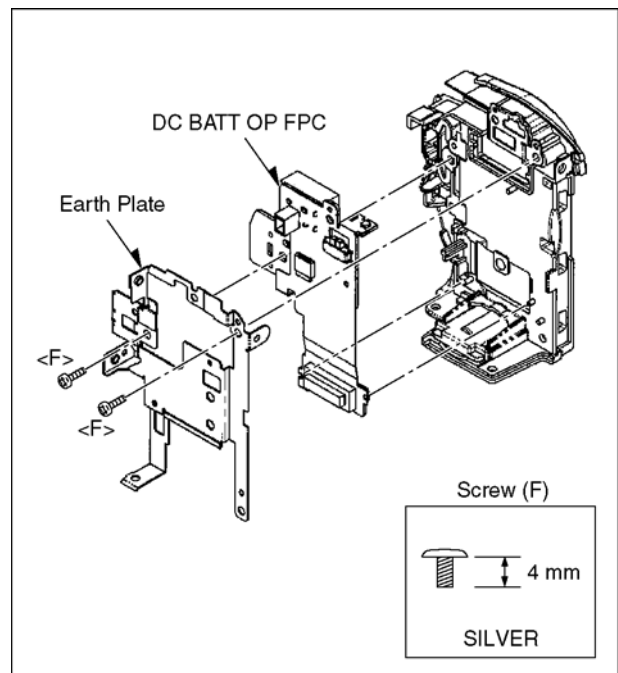


Fig. D9

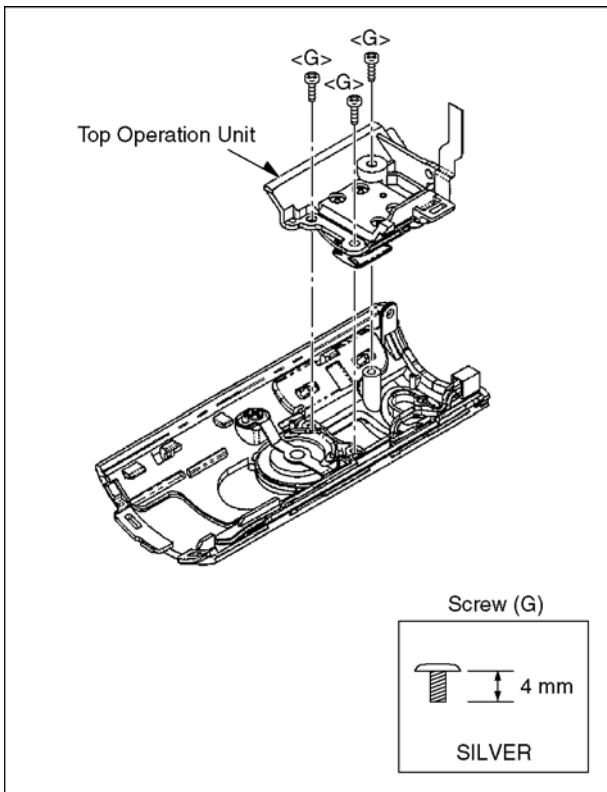


Fig. D10

Note for attaching Top Operation Unit

- Top Operation Unit is installed and the following wire rod is a thing that becomes like Fig.D11.

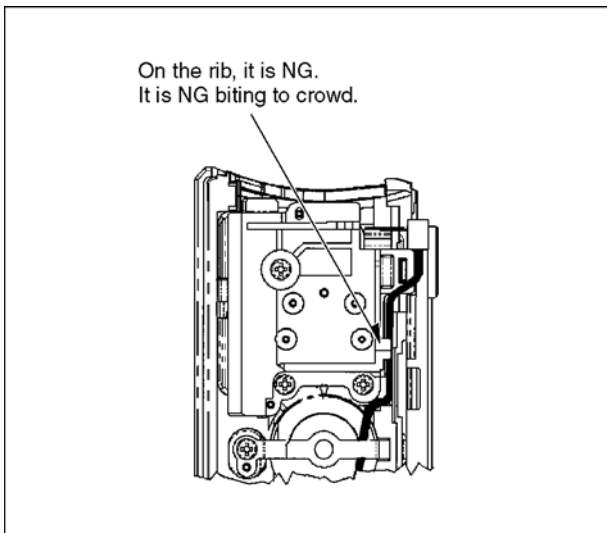


Fig. D11

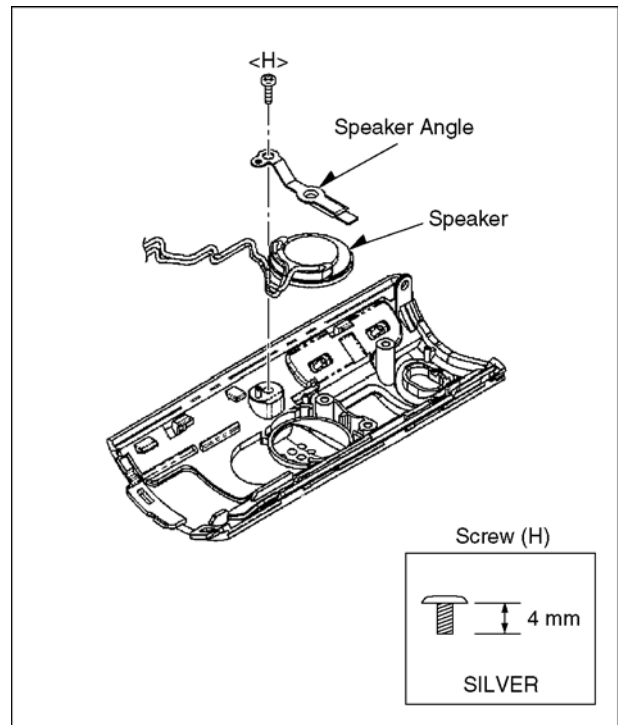


Fig. D12

Note for attaching Speaker Angle

- Make sure that speaker wire is under Speaker Angle.

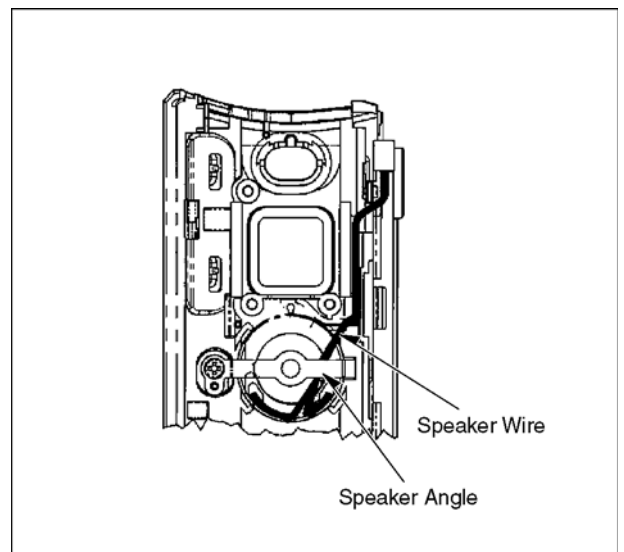


Fig. D13

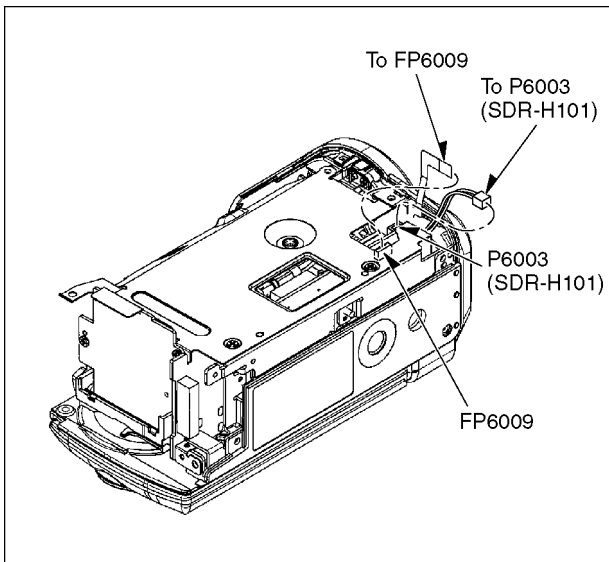


Fig. D14

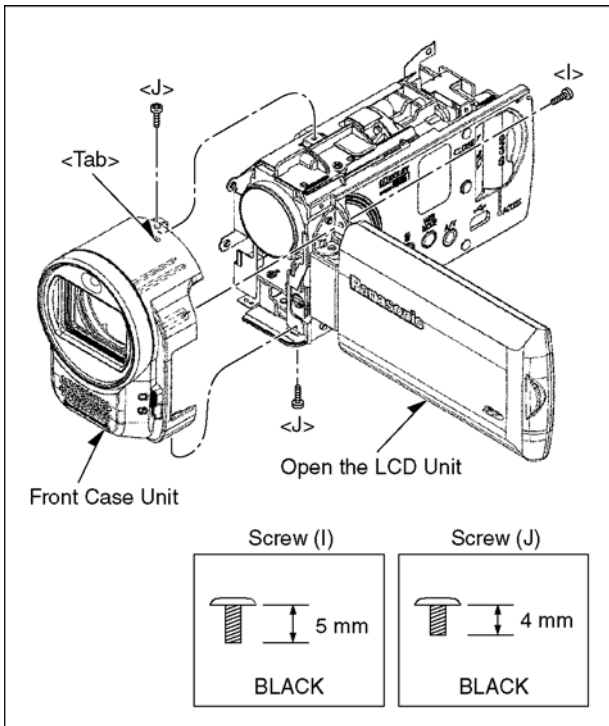


Fig. D15

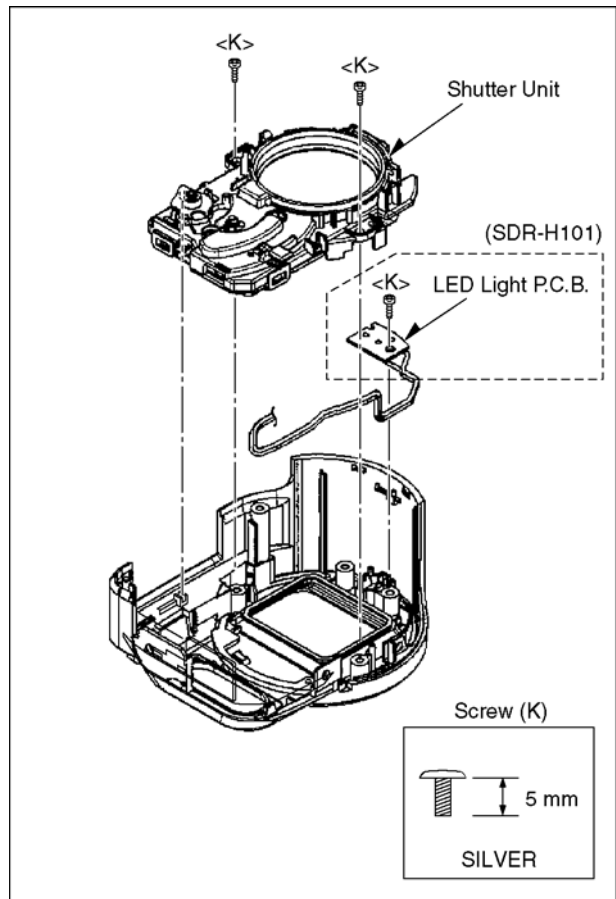


Fig. D16

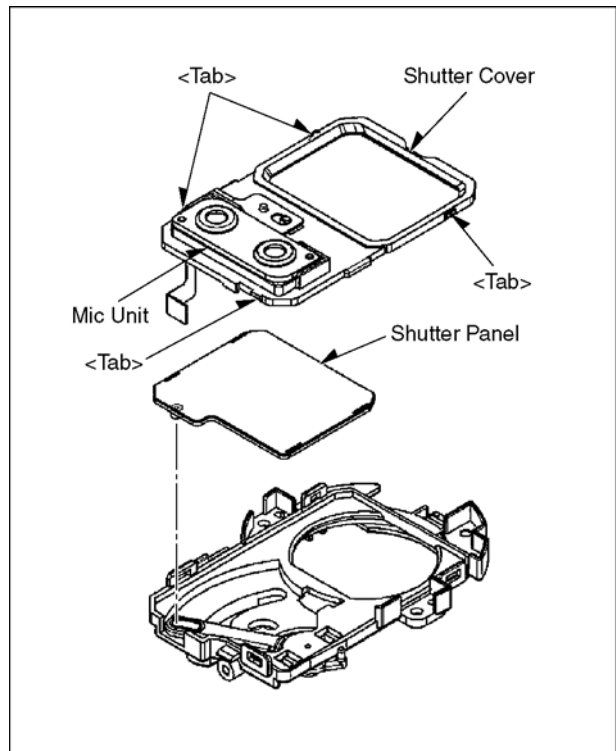


Fig. D17

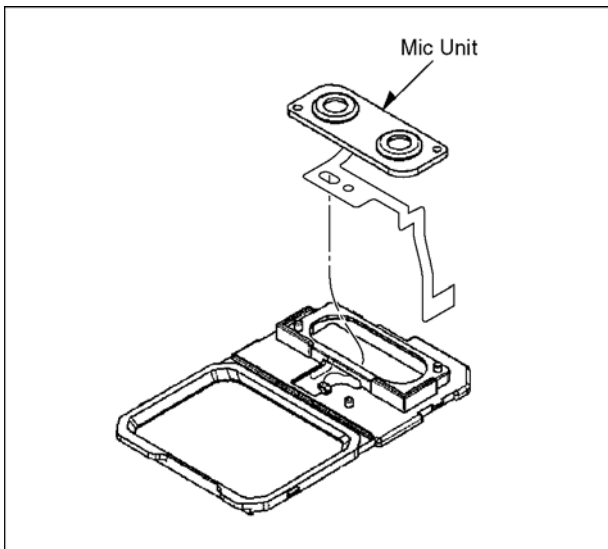


Fig. D18

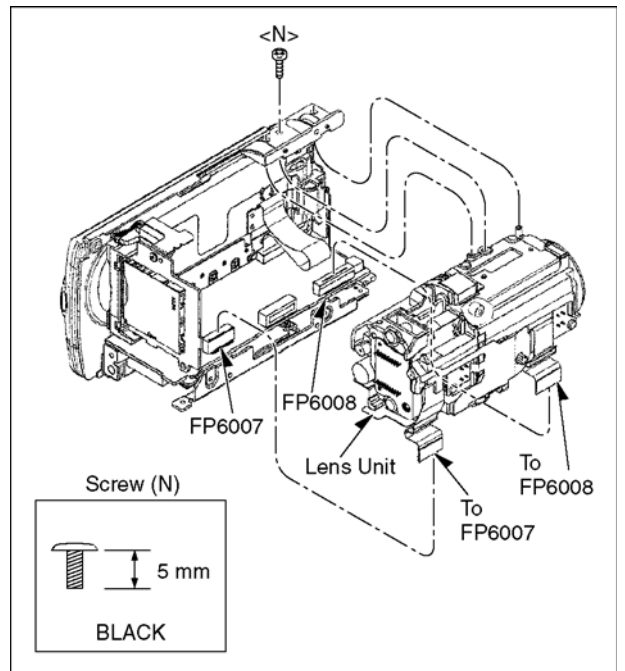


Fig. D20

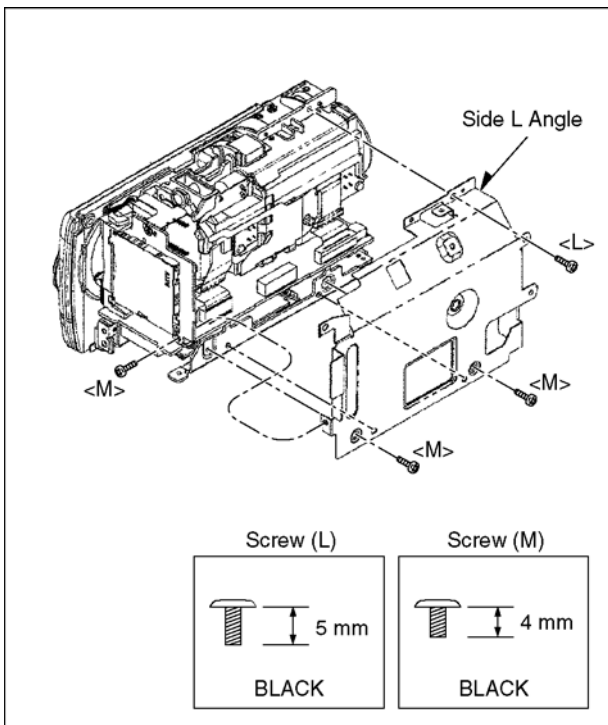


Fig. D19

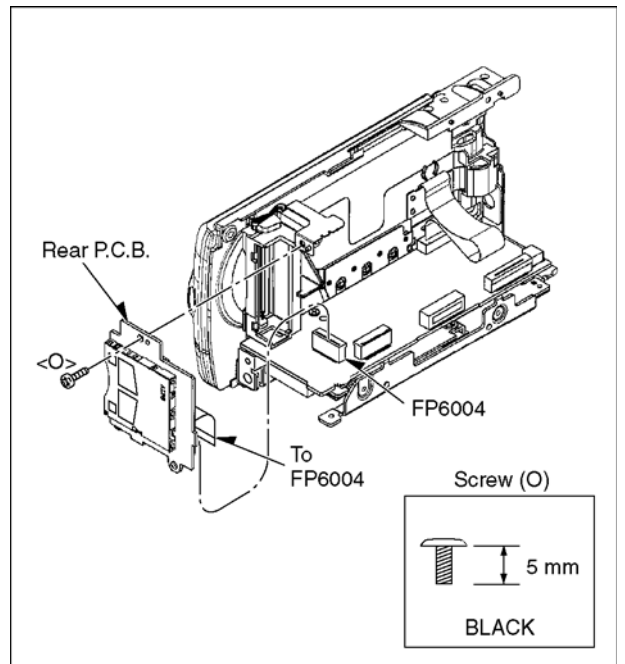


Fig. D21

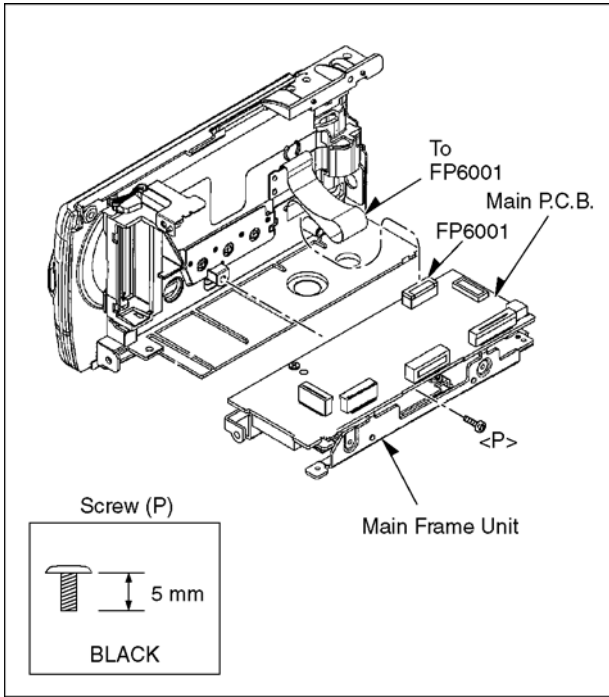


Fig. D22

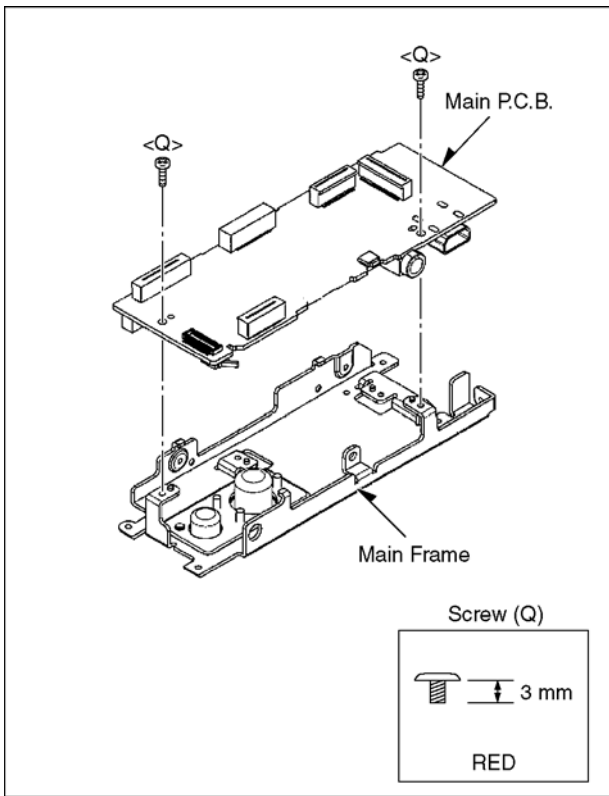


Fig. D23

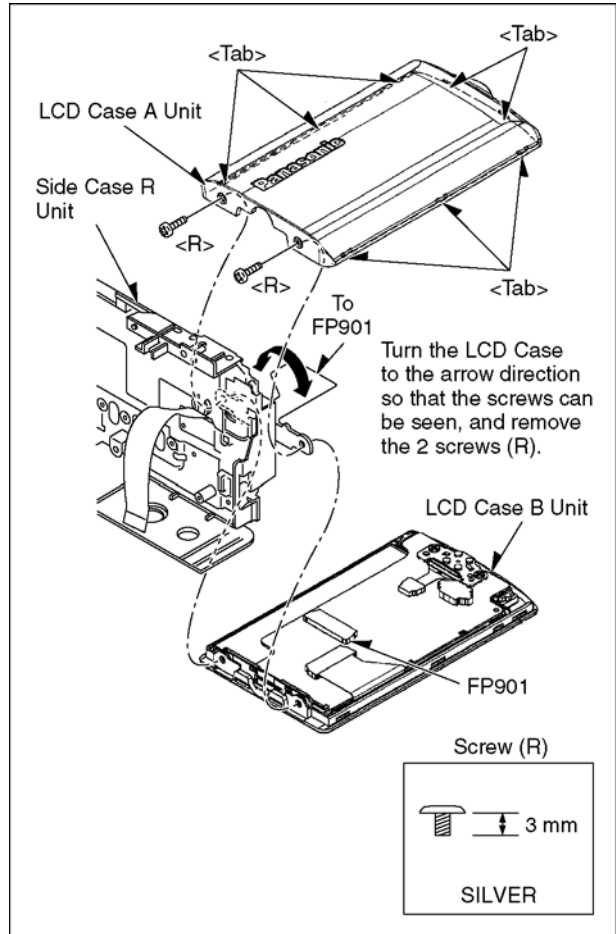


Fig. D24

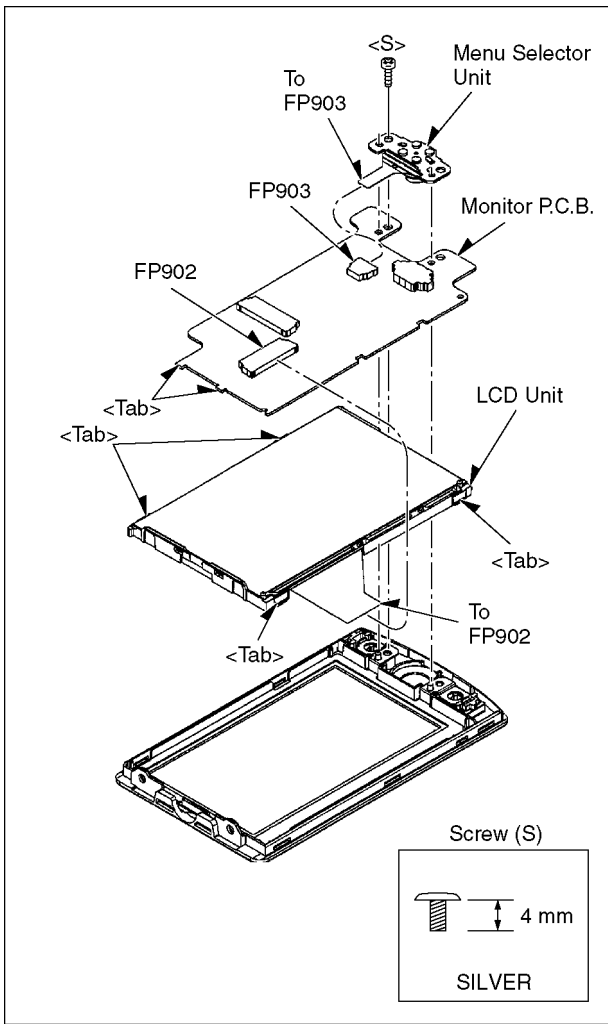


Fig. D25

8.4. Disassembly Procedures of Camera Lens Unit

The following flowchart describes order or steps for removing the Camera lens unit and certain printed circuit boards in order to make access to the item needing service.

To reassemble the unit follow the steps in reverse order.

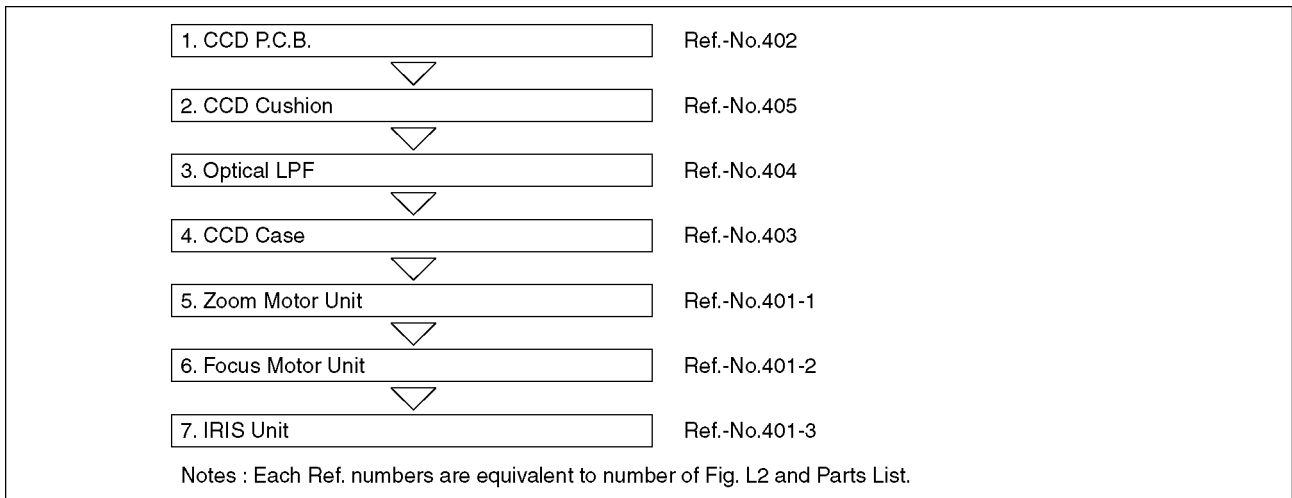


Fig. L1

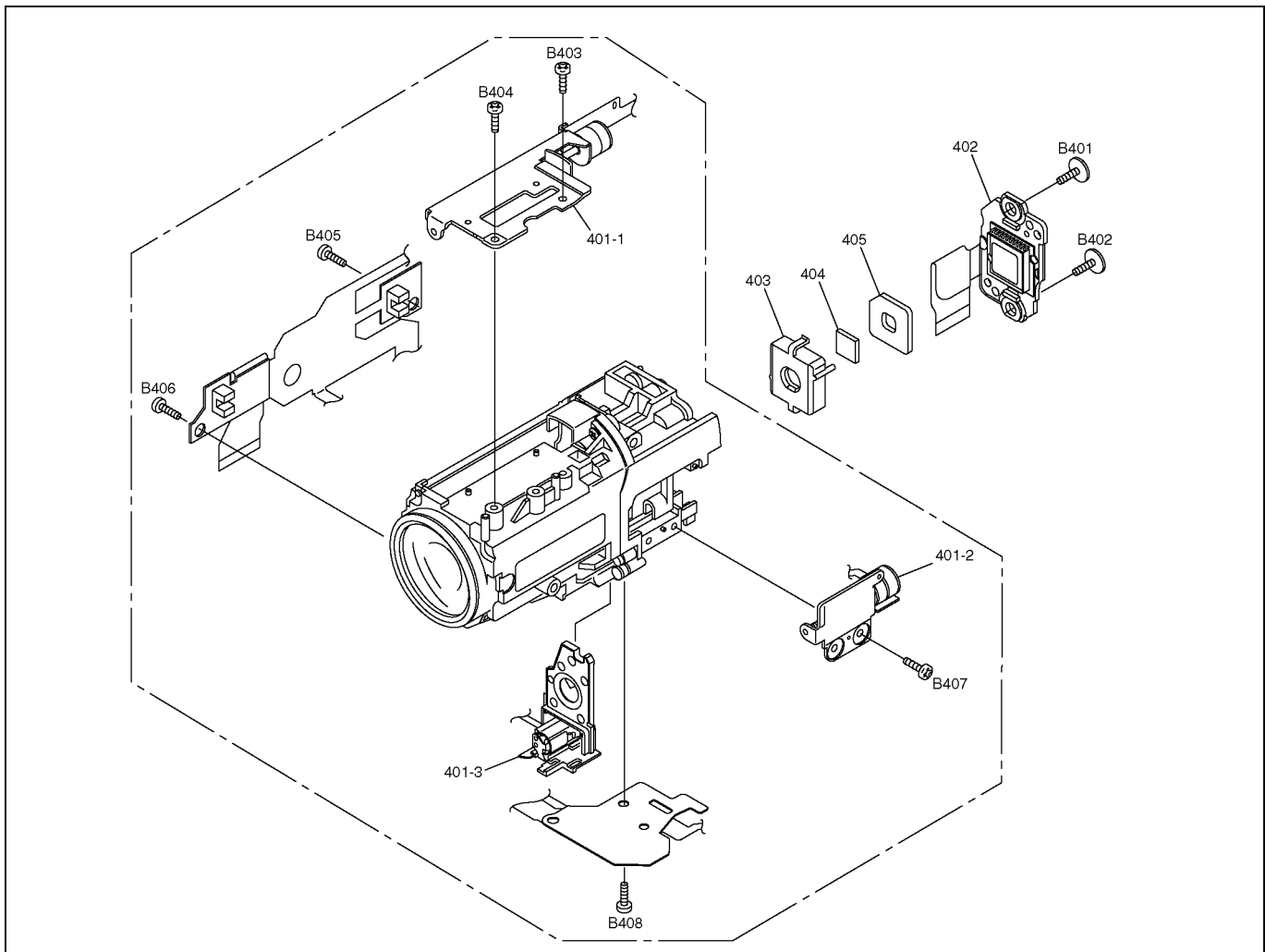
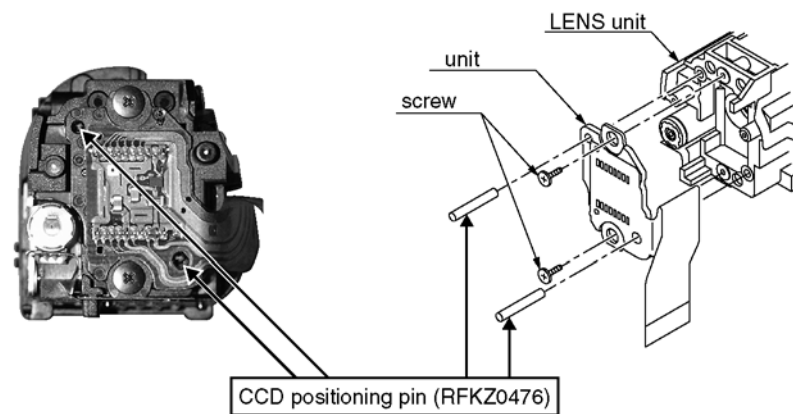


Fig. L2

8.4.1. How to use of CCD positioning pin (RFKZ0476)

The CCD unit and the LENS unit are fixed by using two CCD positioning pins as shown in figure, and the screw two places for CCD fixation are tightened.



Note:

Please remove the positioning pin after installing CCD Unit.

Please tighten tightening two screws uniformly.

(Recommendation 8Ncm : In the torque driver at the time of tightening)

Please execute an optical adjustment for TATSUJIN Software after it exchanges CCD unit.

9 Measurements and Adjustments

9.1. EEPROM Data for spare parts of the MAIN P.C.B.

After replacing the MAIN P.C.B., be sure to achieve adjustment.

As for Adjustment condition/procedure, consult the "Adjustment Manual" which is available in Adjustment software.

The adjustment instruction is available at "Software download" on the "Support Information from NWBG/VDBG-AVC" web-site in "TSN System".

9.2. Service Positions

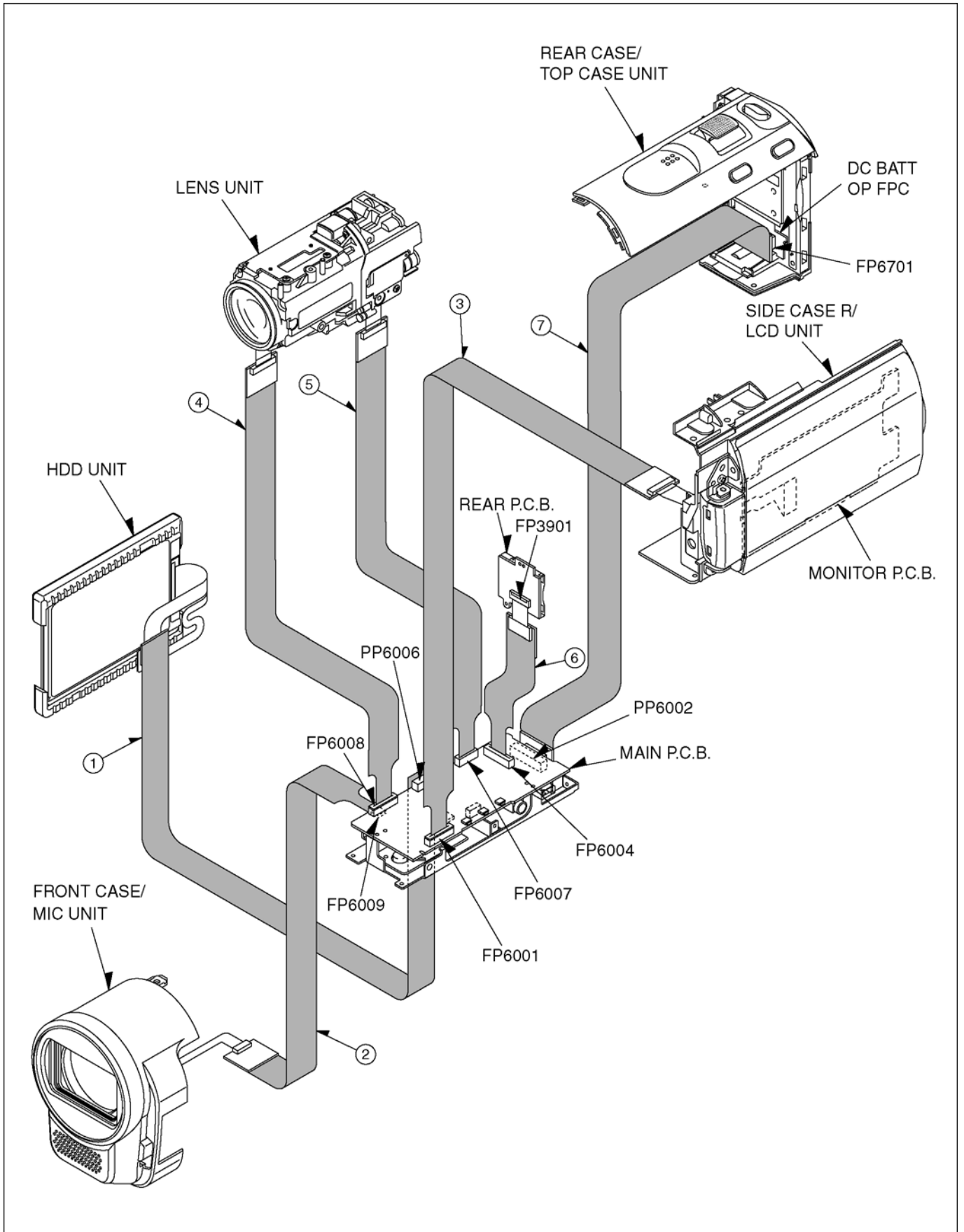
9.2.1. List of the extension cables

Use the following extension cables when checking or adjusting individual circuit boards except module Parts (Main P.C.B.).

Ref.	Part No.	Pin	Part Name	Connection		Q'ty
1	RFKZ0379	40	Flat Cable	PP6006 (Main)	- HDD Unit	1
2	VFK1480	6	Flat Cable	FP6009 (Main)	- Front Case/Mic Unit	1
3	VFK1491	27	Flat Cable	FP6001 (Main)	- Side Case R/LCD Unit	1
4	VFK1950	33	Flat Cable	FP6008 (Main)	- Lens Unit	1
5	VFK1443	18	Flat Cable	FP6007 (Main)	- Prism Unit	1
6	VFK1282	22	Flat Cable	FP6004 (Main)	- FP3901 (Rear)	1
7	RFKZ0379	40	Flat Cable	PP6002 (Main)	- FP6701 (DC BATT OP FPC)	1

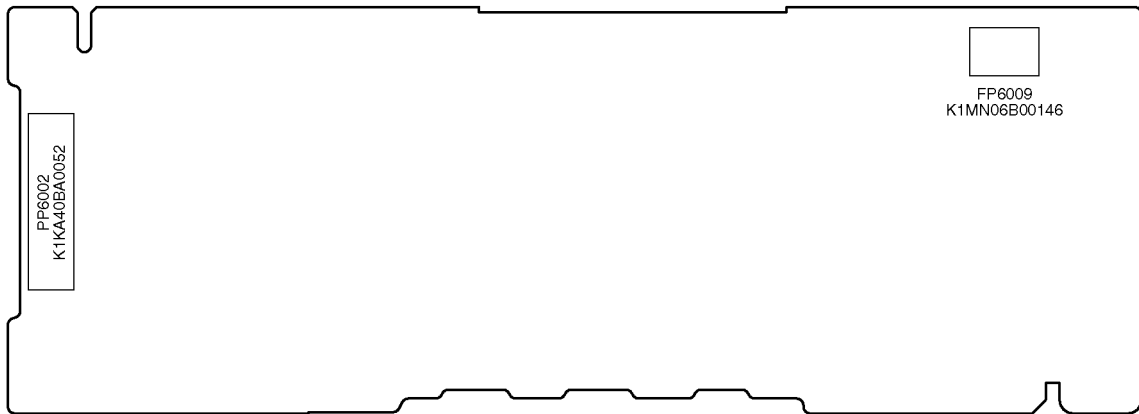
9.2.2. Checking and repairing individual circuit boards except module parts (Main P.C.B.)

How to use extension cables.

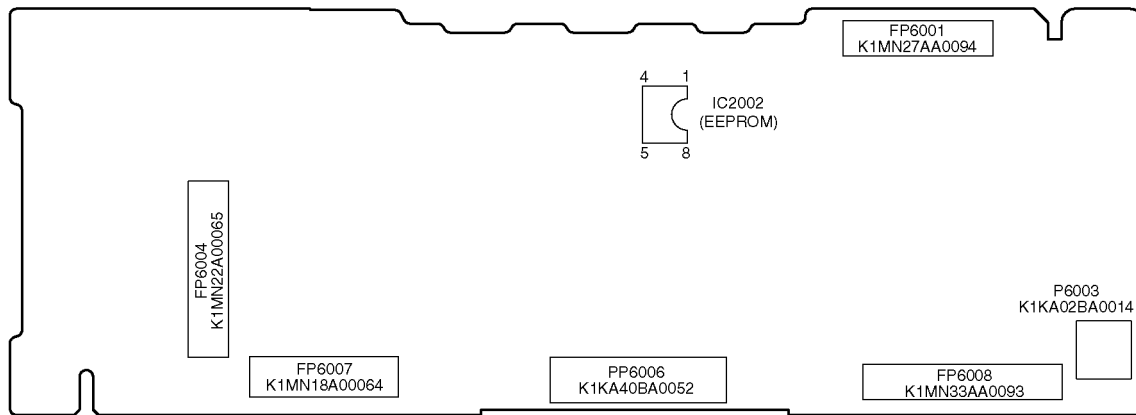


9.3. Location for Connectors of the Main P.C.B.

9.3.1. Main P.C.B.



(COMPONENT SIDE)



(FOIL SIDE)

9.4. Electrical Adjustment

- Adjustment method is different from a conventional SD/HDD video camera.
- An exclusive jig and PC (including software for adjustment "tatsujin") are necessary for electric adjustment.
- A USB driver for service is necessary to communication with PC.
- Connection method of the main unit and an exclusive adjustment jig as follows.

9.4.1. Adjustment Procedure

- Connect the main unit to PC with USB.

The adjustment instruction is available at "Software download" on the "Support Information from NWBG/VDBG-AVC" web-site in "TSN System".

Figure of connection

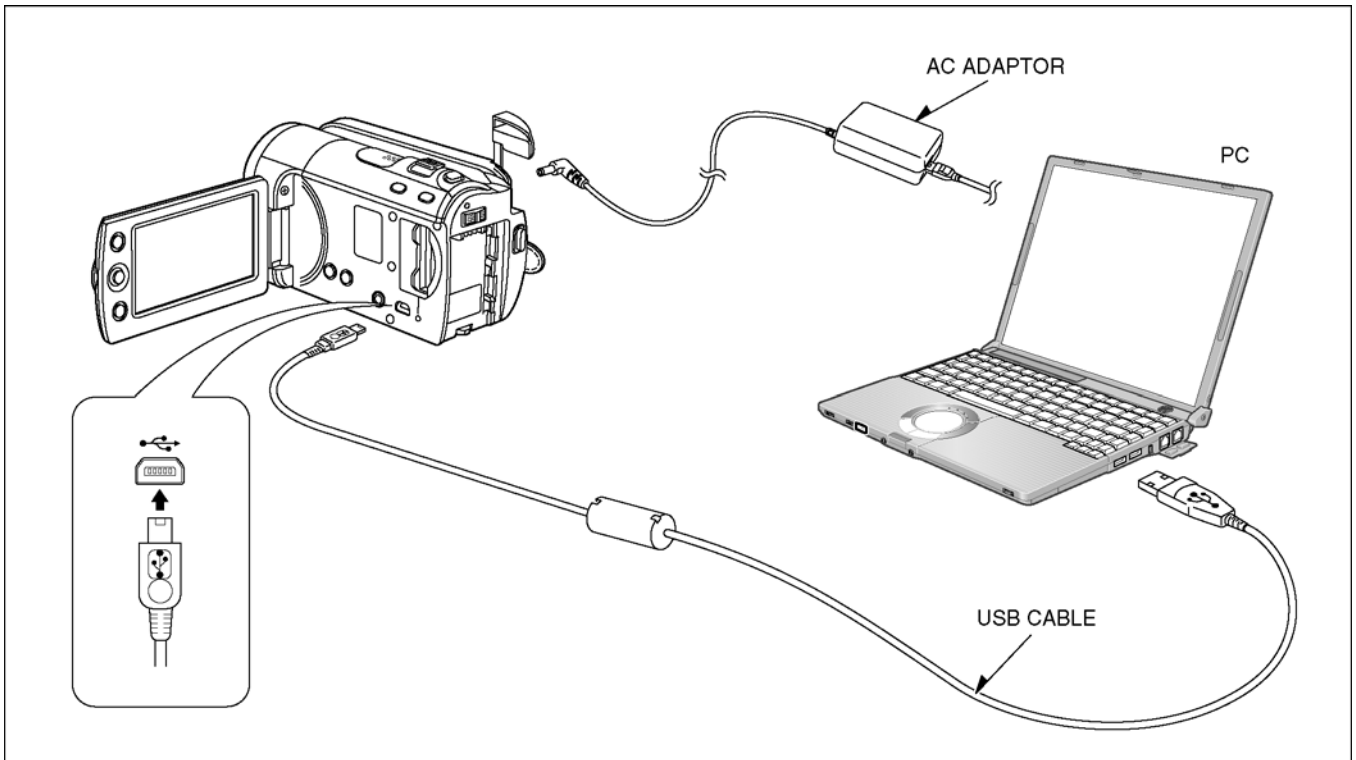
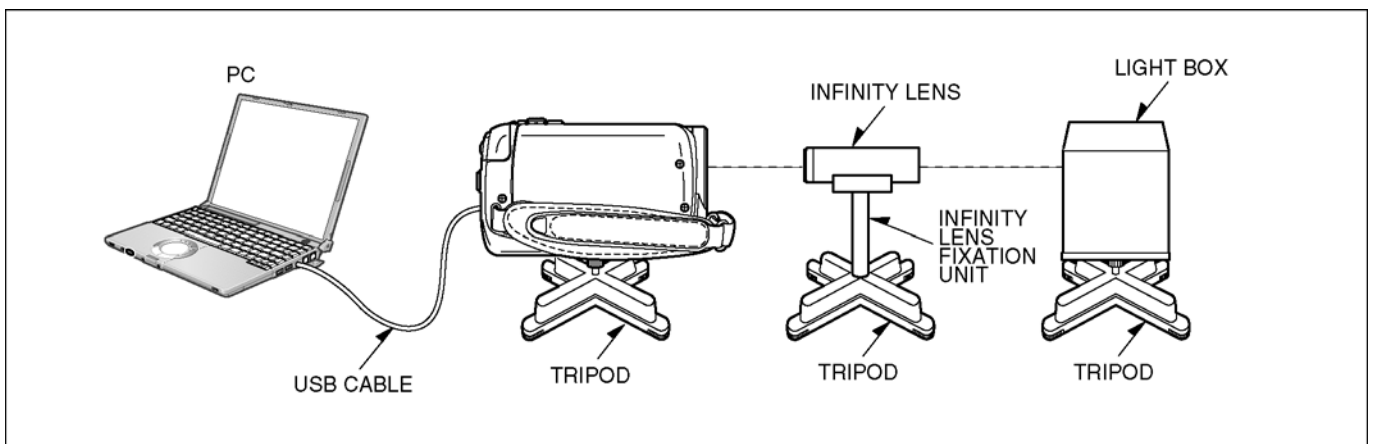


Figure of Image when adjustment



Part Number of jig

- Only a necessary jig mentions it setup electric adjustment

Ref	Parts Name	Parts No.	Q'ty	Remarks
1	Personal Computer	---	1	With Tatsujin Software
2	AC Adaptor	---	1	The AC Adaptor for SD/HDD Video Camera
3	USB Cable	---	1	
4	Adjustment Software (Tatsujin)	---	1	

Adjustment Items

- Adjustment item as follows.

The adjustment instruction is available at "Software download" on the "Support Information from NWBG/VDBG-AVC" web-site in "TSN System".

		Replacement Parts									
		Main P.C.B.	IC101 (CAMERA SIGNAL PROCESS)	IC701 (FOCUS/ZOOM/MOTOR DRIVE & OIS/IRIS/HALL AMP CONTROL)	IC3401 (CAMERA DIGITAL SIGNAL PROCESS/SHUFLING)	IC3701 (VIDEO/AUDIO SIGNAL PROCESS)	IC6001 (SYSTEM MICROCONTROLLER)	IC2002 (EEPROM)	CCD P.C.B.	Lens Unit	G sensor
Camera	CAM hall amplifier and Iris PWM	○									
	CAM Tracking and De-focus	○									
	CAM WB rough	○	○								
	CAM AWB 3100	○	○								
	CAM AWB 5100	○	○								
	CAM Revision CCD white scratch	○						○	○		
	CAM Revision CCD black scratch	○						○	○		
Video	VCR Luminance level	○			○	○		○			
	G sensor offset	○						○		○	

Note : ○ : Adjustment Item

- How to use the software.

Please reference help of the TATSUJIN software.

Set-up manual for SD/HDD Video Camera

1. Installation of USB-SERIAL Driver

Execute the "Setup.exe" file in "Com Mass" folder by double clicking to install the USB-SERIAL driver.

2. Set-Up

a. Remove the SD card from this unit.

b. While keep pressing the "iA" button and "DEL" button, hold left the "zoom lever" towards to "W" position for more than 3 seconds until the "COM" is displayed on LCD.

3. Release of COM mode (It is necessary for normal mode.)

Retry above 2-b, then "COM" is disappeared.

10 Maintenance

10.1. Cleaning Lens and LCD Panel

Do not touch the surface of the lens and LCD Panel with your hand.

When cleaning the lens, use air-Blower to blow off the dust.

When cleaning the LCD Panel, dampen the lens cleaning paper with lens cleaner, and the gently wipe the their surface.

Note:

A lens cleaning paper and lens cleaner are available at local camera shops and market place.

11 Factory Setting

Note:

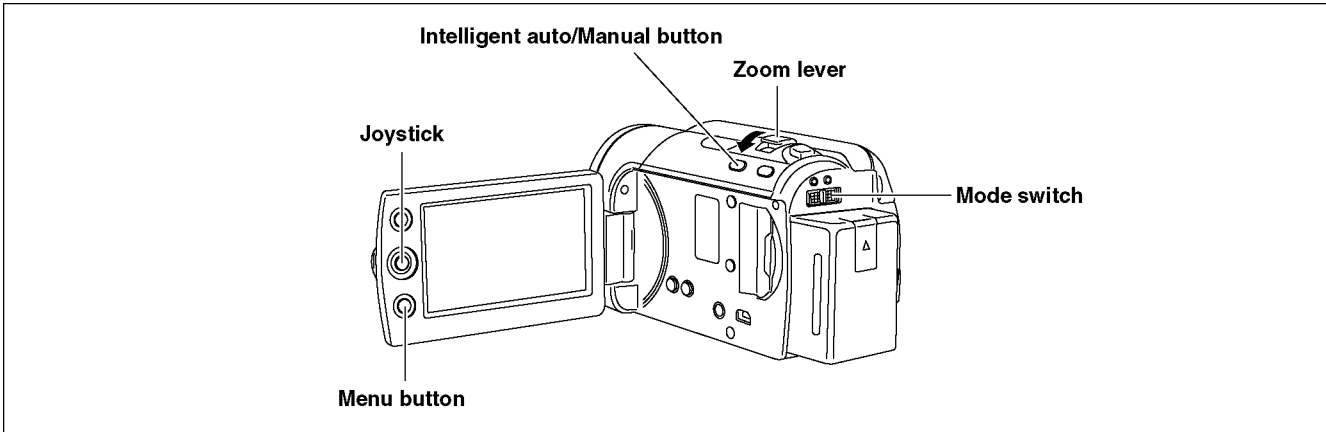
The screens of the factory setting are for SDR-H100P.
For other models, refer to each screen of the factory setting.

11.1. How to turn on the factory setting?

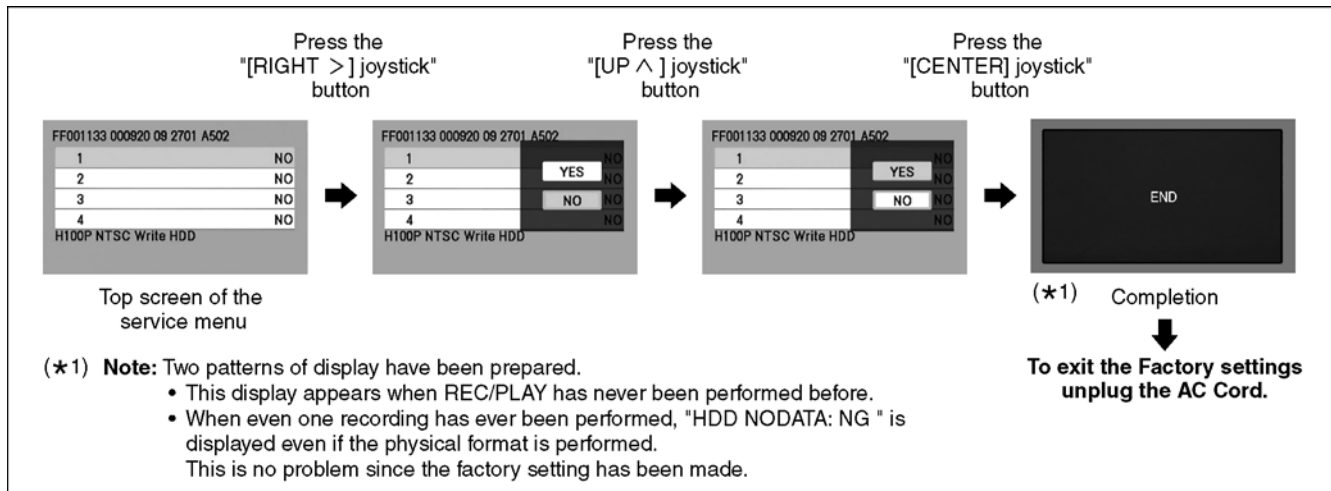
1. **Indication method of the service menu**

Set the mode switch " Recording" mode.

2. While keep pressing the "Intelligent auto/Manual" button and "Menu" button, hold left the Zoom Lever towards to "[W]" position for more than 3 seconds until the top screen of the Service Menu being displayed.



3. Under the condition of the Item No."1" is yellow high lighted, press the "[RIGHT >] of joystick" button.
4. By pressing the "[UP ^] of joystick" button, then press the "[center] of joystick" button.
5. After few seconds "END" is displayed on LCD monitor. Cutting of battery connection or AC power supply connection as a completion of the "FACTORY SETTINGS".





11.2. What is the factory settings?

The factory settings clean up and/or refresh the following settings.

1. MENU, MODE, ADJUSTMENT VALUE.
2. SD card format.
3. Reset the folder number and file number of still pictures.
(Setting the folder number is 100, and file number is 0.)
4. Clear the mechanism lock information.
5. Clear the service mode information contents.
6. Clear the date.
7. Initialize the VIERA Link Physical Address.
8. Confirm the data area of HDD is cleared.

The setting position of factory settings:

Name	Setting position
Mode switch	
Open/close switch	

Service Manual

Diagrams and Replacement Parts List

SD / HDD Video Camera

Model No.

SDR-H100P	SDR-H100GT
SDR-H100PC	SDR-H101EB
SDR-H100EB	SDR-H101PR
SDR-H100EC	SDR-H101PU
SDR-H100EE	SDR-H101GA
SDR-H100EF	SDR-H101GC
SDR-H100EG	SDR-H101GK
SDR-H100EP	SDR-H101GN

Vol. 1
Colour

- (K).....Black Type (except SDR-H101EB)
- (S).....Silver Type (only SDR-H100P/PC/GT, H101PU/GA/GC)
- (R).....Red Type (only SDR-H100P/PC/GT, H101PU/GA/GC/GK/GN)
- (H).....Gray Type (only SDR-H101EB)

Table of contents

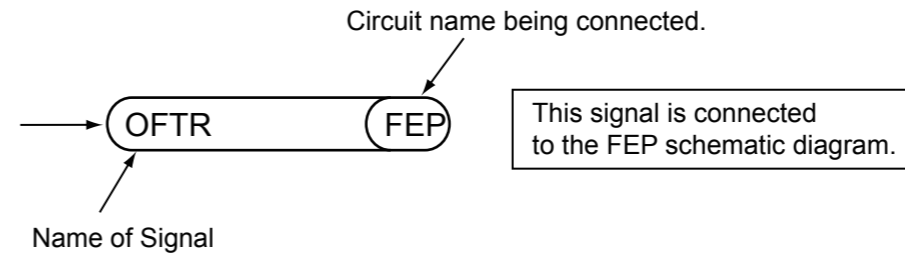
S1. About Indication of The Schematic Diagram.....	S-1	S5. Print Circuit Board.....	S-11
S1.1. Important Safety Notice.....	S-1	S5.1. Rear P.C.B.	S-11
S2. Voltage Chart	S-2	S5.2. CCD P.C.B.	S-12
S2.1. Rear P.C.B.	S-2	S5.3. EMC FPC P.C.B.	S-13
S2.2. Monitor P.C.B.	S-2	S5.4. DC BATT OP FPC P.C.B.....	S-13
S3. Block Diagram.....	S-3	S5.5. HDD FPC P.C.B.	S-14
S3.1. Overall Block Diagram	S-3	S5.6. MONI FPC P.C.B.....	S-14
S4. Schematic Diagram.....	S-4	S5.7. Monitor P.C.B.	S-18
S4.1. Interconnection Diagram	S-4	S5.8. LED Light P.C.B.	S-19
S4.2. Rear Schematic Diagram	S-5	S6. Replacement Parts List.....	S-21
S4.3. CCD Schematic Diagram	S-6	S7. Exploded View	S-27
S4.4. EMC Schematic Diagram.....	S-6	S7.1. Frame and Casing Section.....	S-27
S4.5. DC BATT OP FPC Schematic Diagram	S-7	S7.2. LCD Section	S-28
S4.6. HDD FPC Schematic Diagram.....	S-8	S7.3. Lens Section	S-29
S4.7. MONI FPC Schematic Diagram	S-8	S7.4. Packing Parts and Accessories Section.....	S-30
S4.8. Monitor Schematic Diagram.....	S-9		
S4.9. LED Light Schematic Diagram	S-10		

S1. About Indication of The Schematic Diagram

S1.1. Important Safety Notice

COMPONENTS IDENTIFIED WITH THE MARK \triangle HAVE THE SPECIAL CHARACTERISTICS FOR SAFETY. WHEN REPLACING ANY OF THESE COMPONENTS USE ONLY THE SAME TYPE.

1. Although reference number of the parts is indicated on the P.C.B. drawing and/or schematic diagrams, it is NOT mounted on the P.C.B. when it is displayed with "\$" mark.
2. It is only the "Test Round" and no terminal (Pin) is available on the P.C.B. when the TP (Test Point) indicated as "●" mark.
3. The voltage being indicated on the schematic diagram is measured in "Standard-Playback" mode when there is no specify mode is mentioned.
4. Although the voltage and waveform available on here is measured with standard frame, it may be differ from actual measurement due to modification of circuit and so on.
5. The voltage being indicated here may be include observational-error (deviation) due to internal-resistance and/or reactance of equipment. Therefore, handle the value indicated on here as reference.
6. Use the parts number indicated on the Replacement Parts List .
7. Indication on Schematic diagrams:



S2. Voltage Chart

Note) Indicated voltage values are the standard values for the unit measured by the DC electronic circuit tester (high-impedance) with the chassis taken as standard.
Therefore, there may exist some errors in the voltage values, depending on the internal impedance of the DC circuit tester.

S2.1. Rear P.C.B.

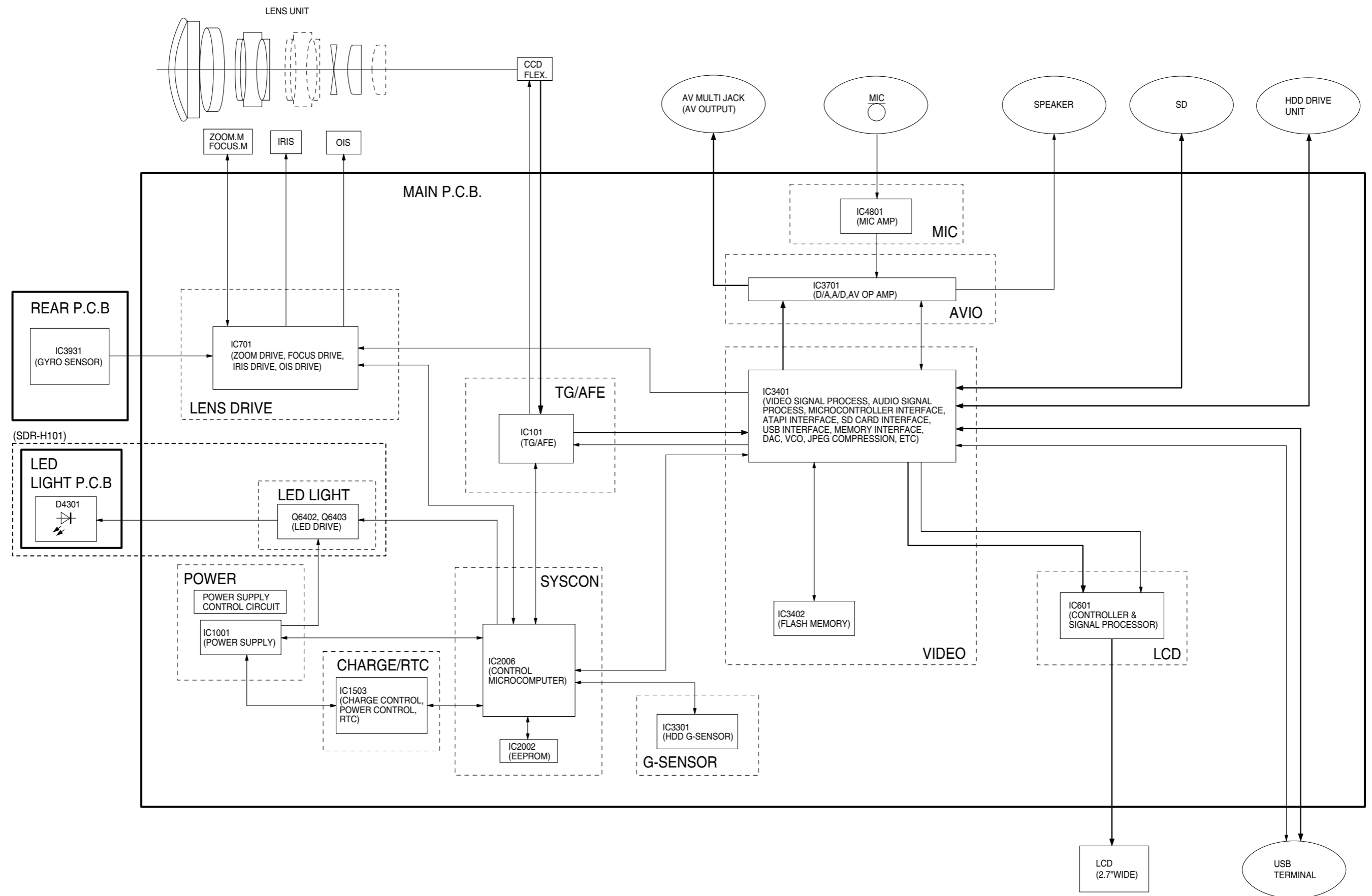
S2.2. Monitor P.C.B.

REF NO.	PIN NO.	REC	PB	EE
IC3931	1	-	-	-
IC3931	2	-	-	-
IC3931	3	-	-	-
IC3931	4	1.4	1.4	1.4
IC3931	5	1.4	1.4	1.4
IC3931	6	1.4	1.4	1.4
IC3931	7	1.4	1.4	1.4
IC3931	8	1.4	1.4	1.4
IC3931	9	0	0	0
IC3931	10	1.4	1.4	1.4
IC3931	11	1.4	1.4	1.4
IC3931	12	1.4	1.4	1.4
IC3931	13	1.4	1.4	1.4
IC3931	14	0	0	0
IC3931	15	3	3	3
IC3931	16	-	-	-
Q3901	E	3.1	3.1	3.1
Q3901	C	0	0	0
Q3901	B	3.1	3.1	3.1

REF NO.	PIN NO.	REC	PB	EE
Q901	E	1.4	1.4	1.4
Q901	C	0	0	0
Q901	B	0.8	0.8	0.8

S3. Block Diagram

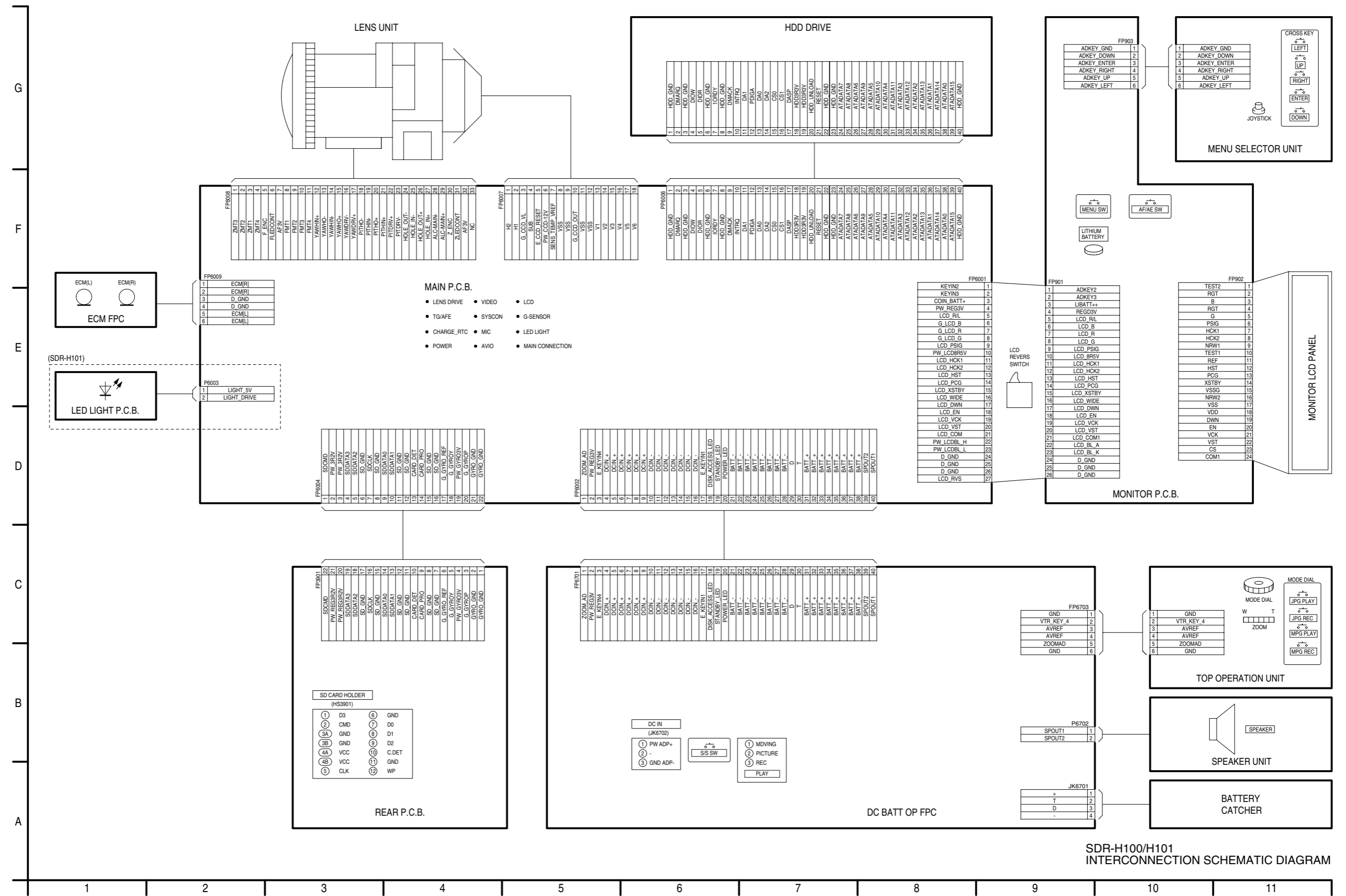
S3.1. Overall Block Diagram



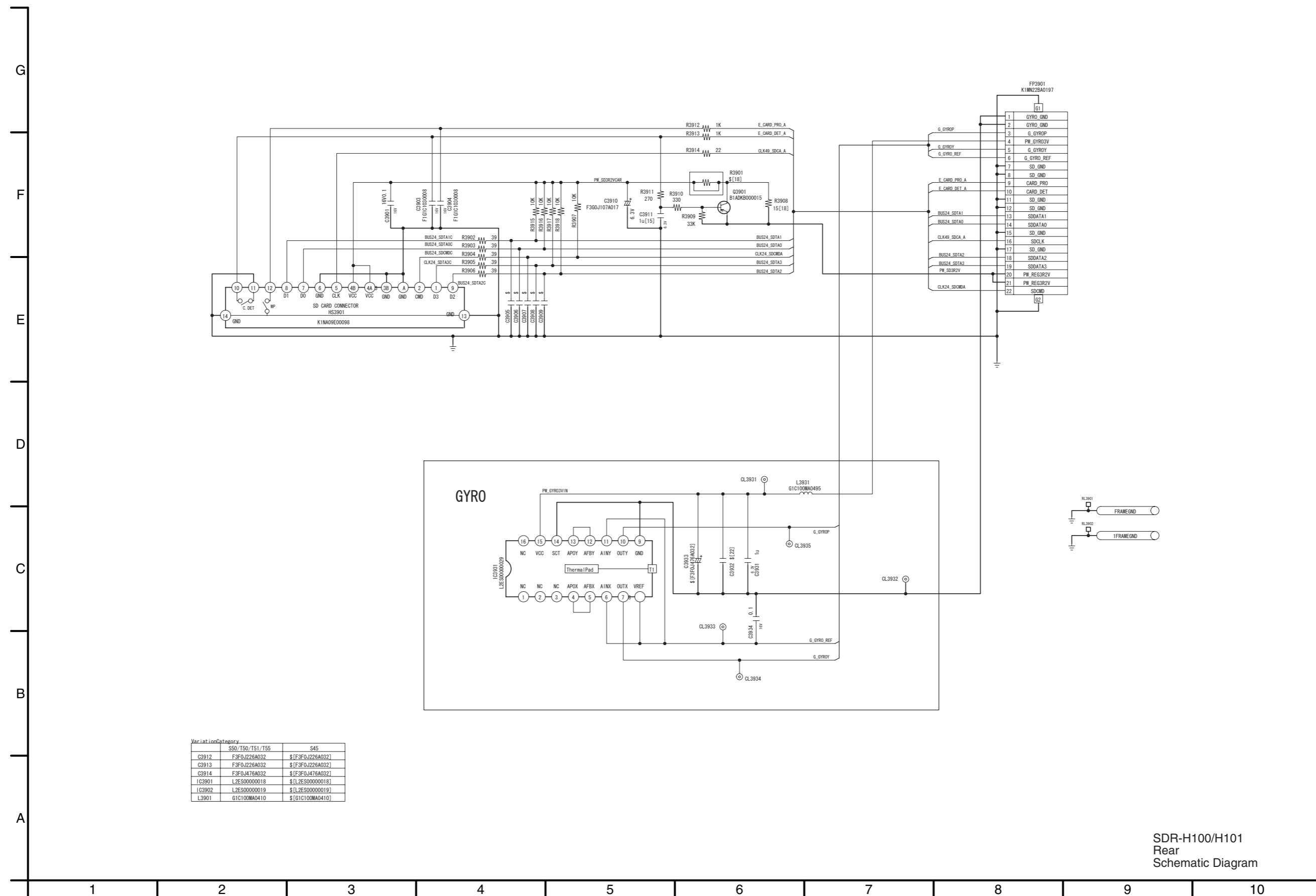
SDR-H100/H101
OVERALL SCHEMATIC DIAGRAM

S4. Schematic Diagram

S4.1. Interconnection Diagram



S4.2. Rear Schematic Diagram

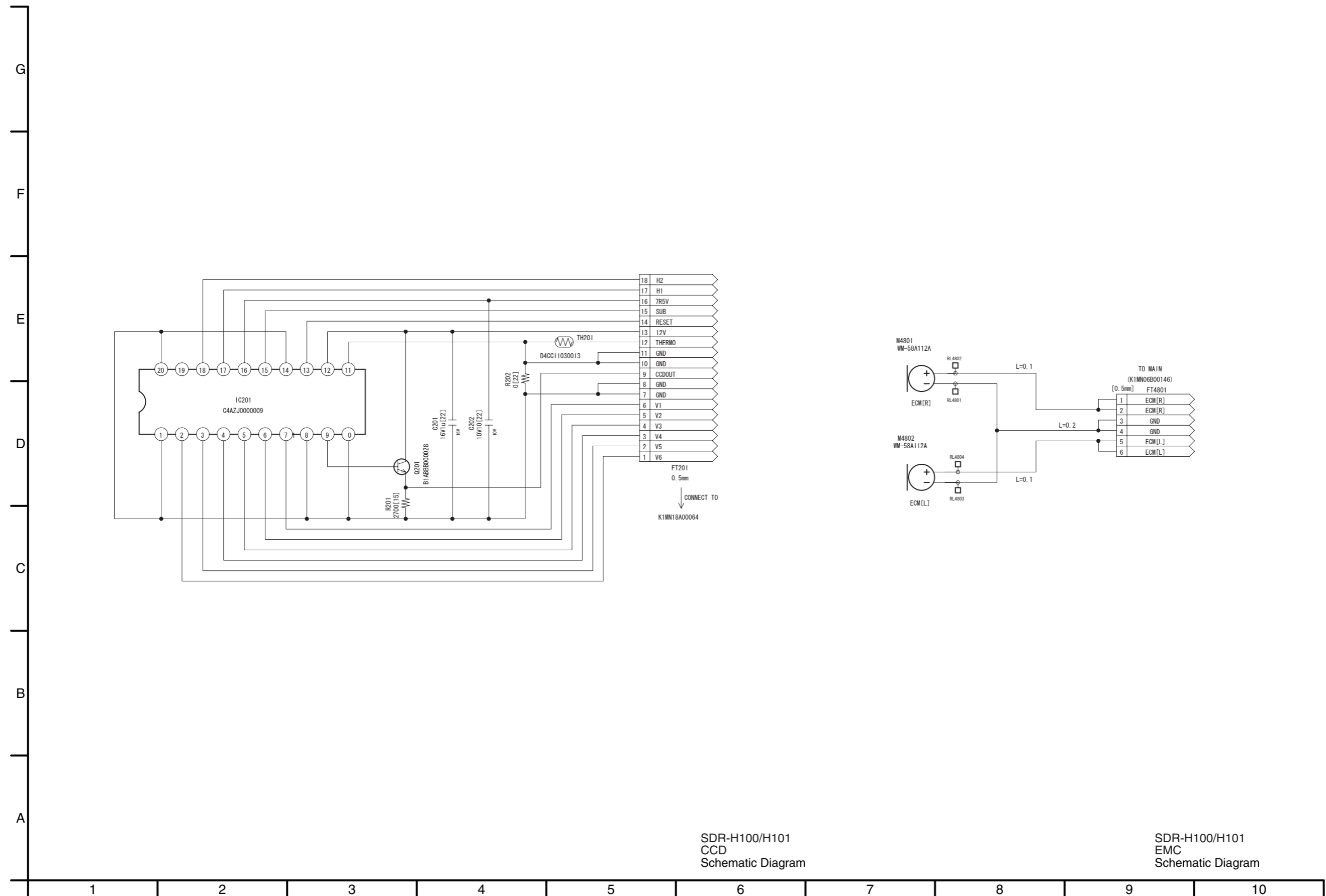


VariantCategory

	SS0/T50/T51/T55	S45
C3912	F3FDJ226A032	\$(F3FQJ226A032)
C3913	F3FDJ226A032	\$(F3FQJ226A032)
C3914	F3FDJ476A032	\$(F3FQJ476A032)
IC3901	L2ES0000018	\$(L2ES0000018)
IC3902	L2ES0000019	\$(L2ES0000019)
L3901	G1C100MA0410	\$(G1C100MA0410)

SDR-H100/H101
Rear
Schematic Diagram

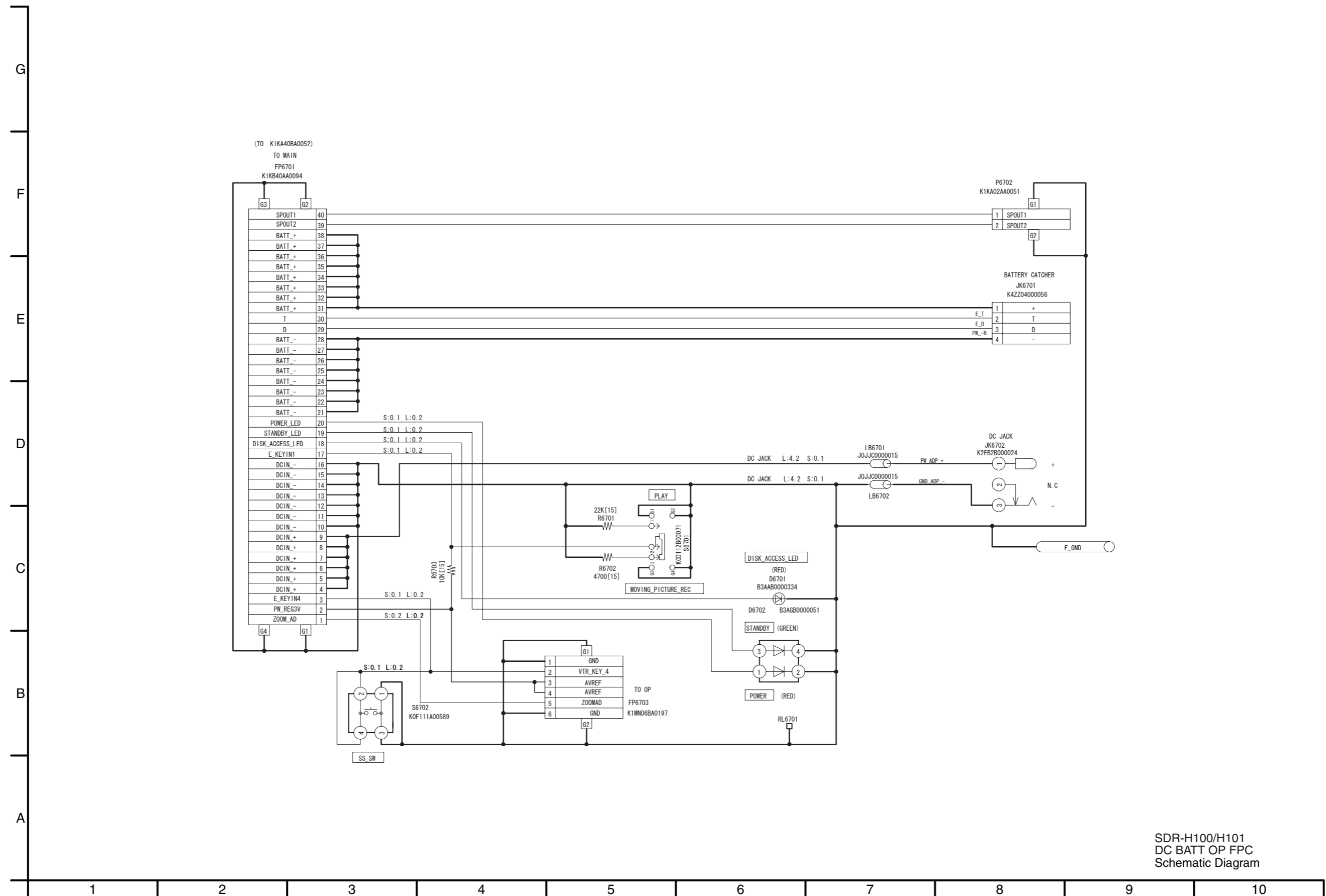
S4.3. CCD Schematic Diagram / S4.4. EMC Schematic Diagram



SDR-H100/H101
CCD
Schematic Diagram

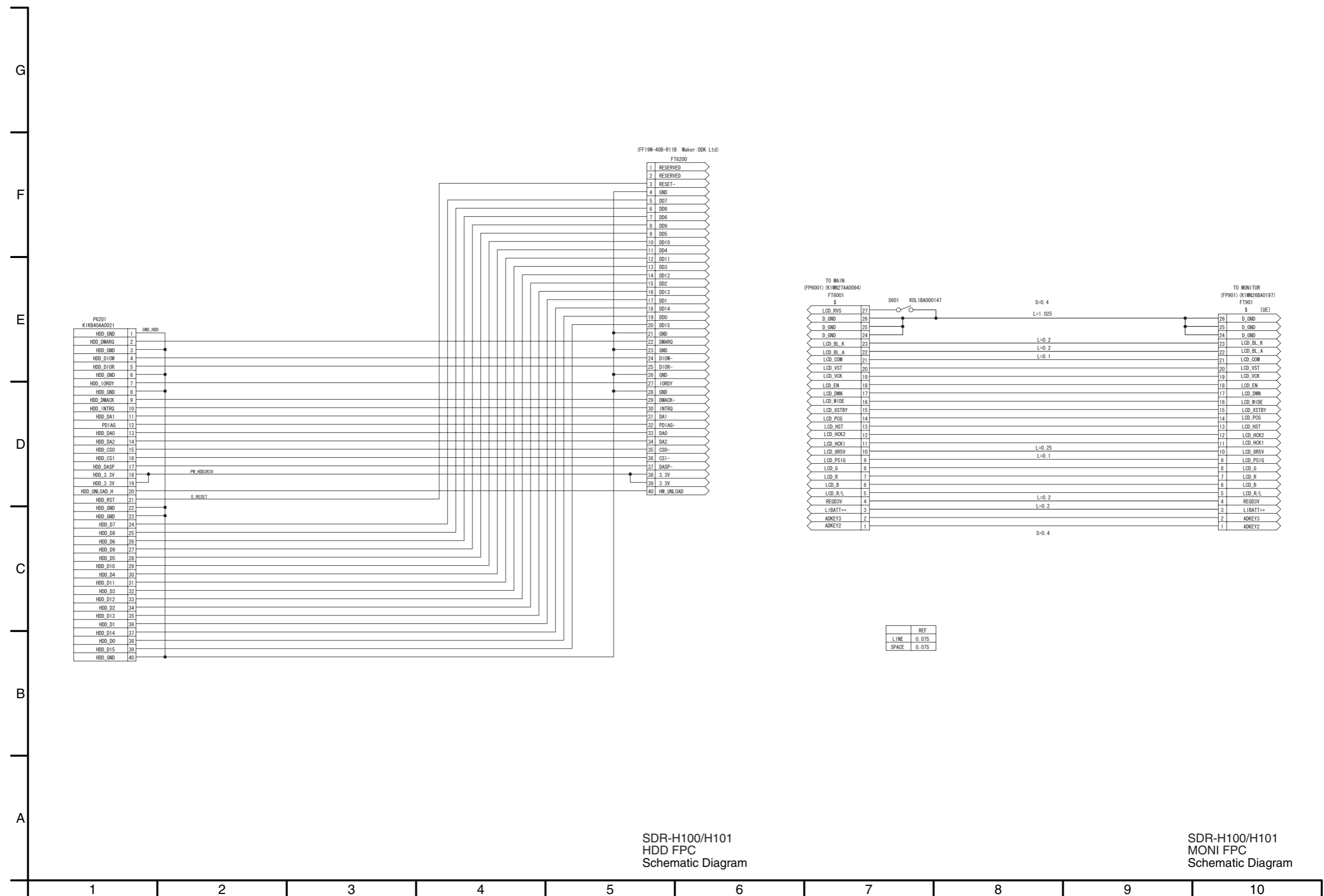
SDR-H100/H101
EMC
Schematic Diagram

S4.5. DC BATT OP FPC Schematic Diagram



SDR-H100/H101
DC BATT OP FPC
Schematic Diagram

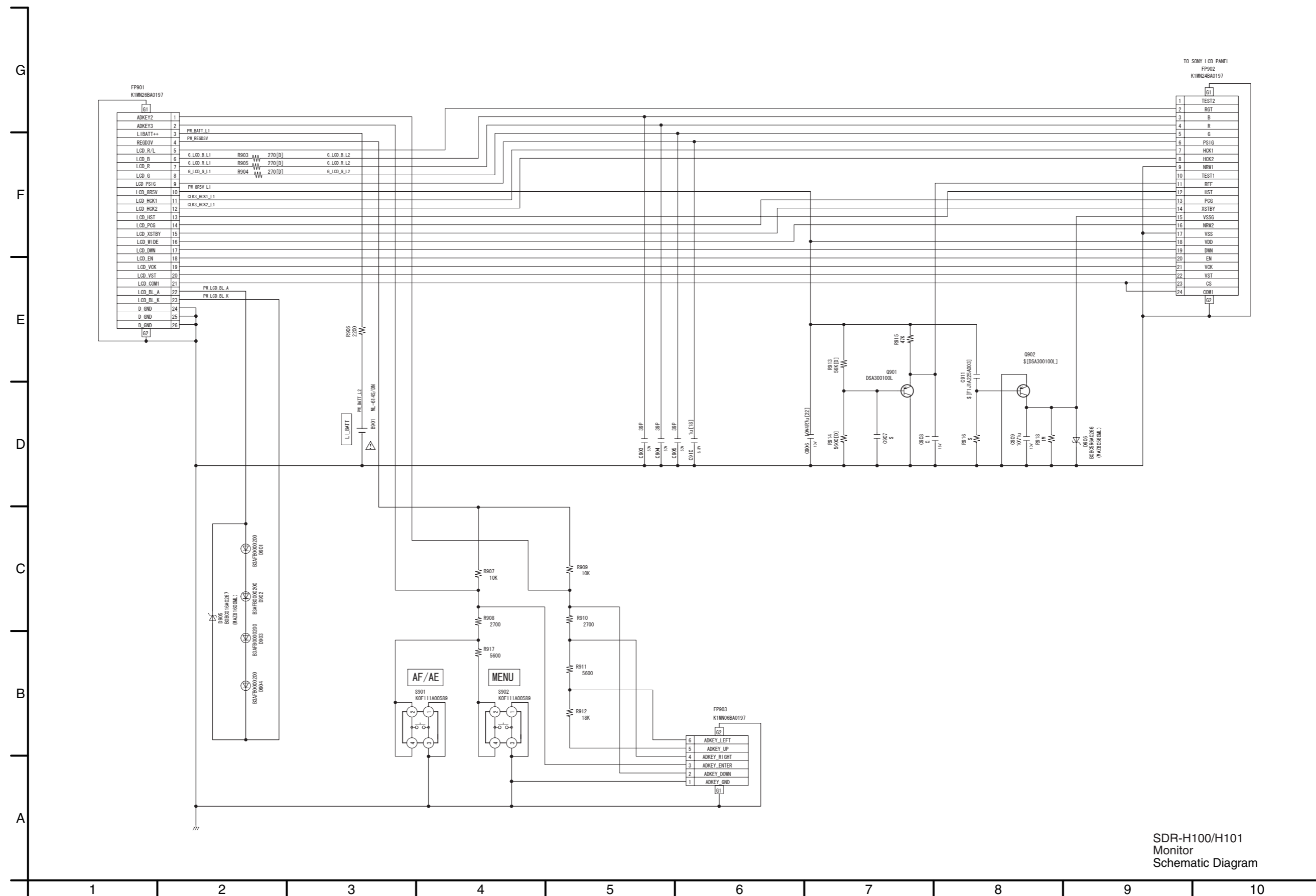
S4.6. HDD FPC Schematic Diagram / S4.7. MONI FPC Schematic Diagram



SDR-H100/H101
HDD FPC
Schematic Diagram

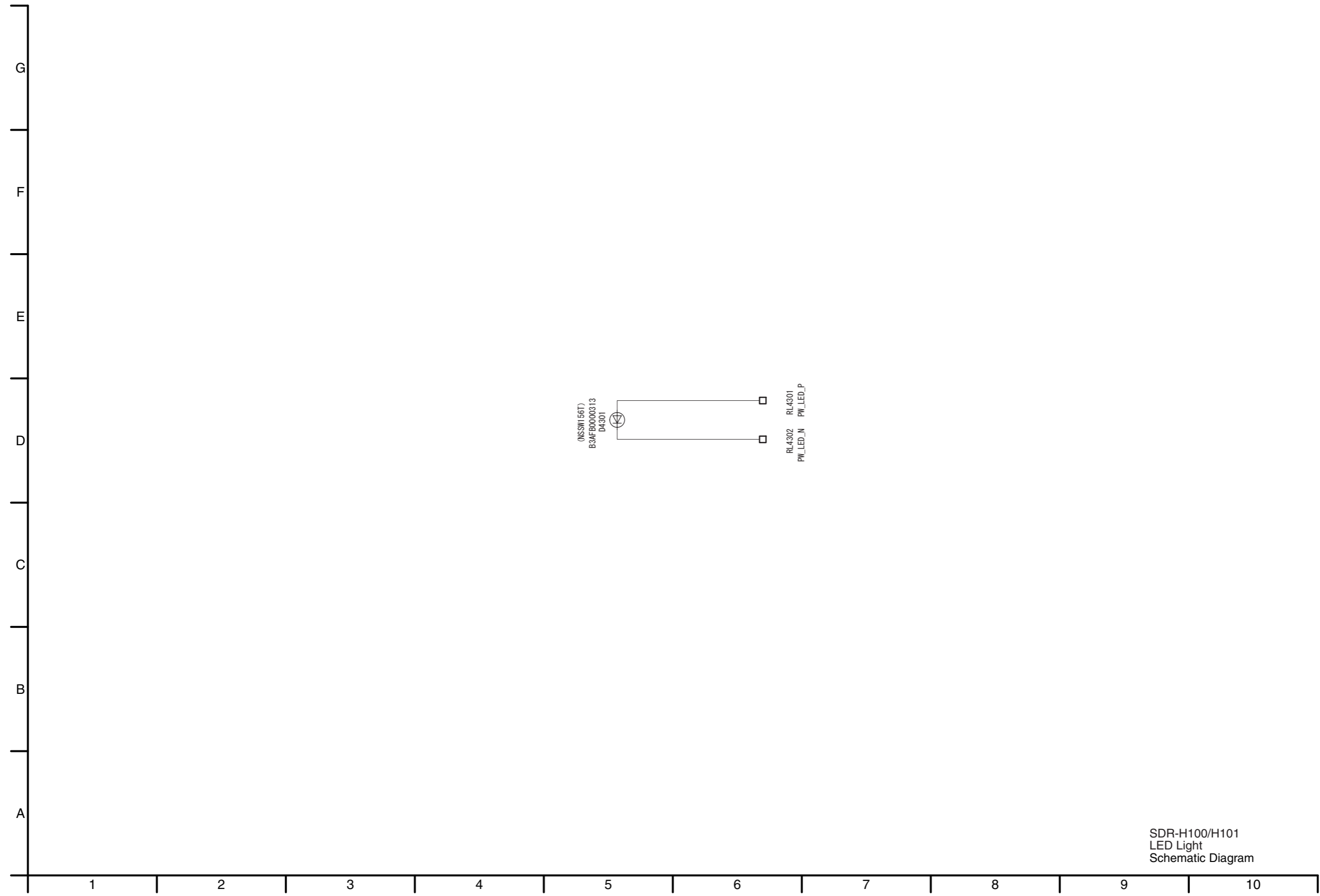
SDR-H100/H101
MONI FPC
Schematic Diagram

S4.8. Monitor Schematic Diagram



SDR-H100/H101
Monitor
Schematic Diagram

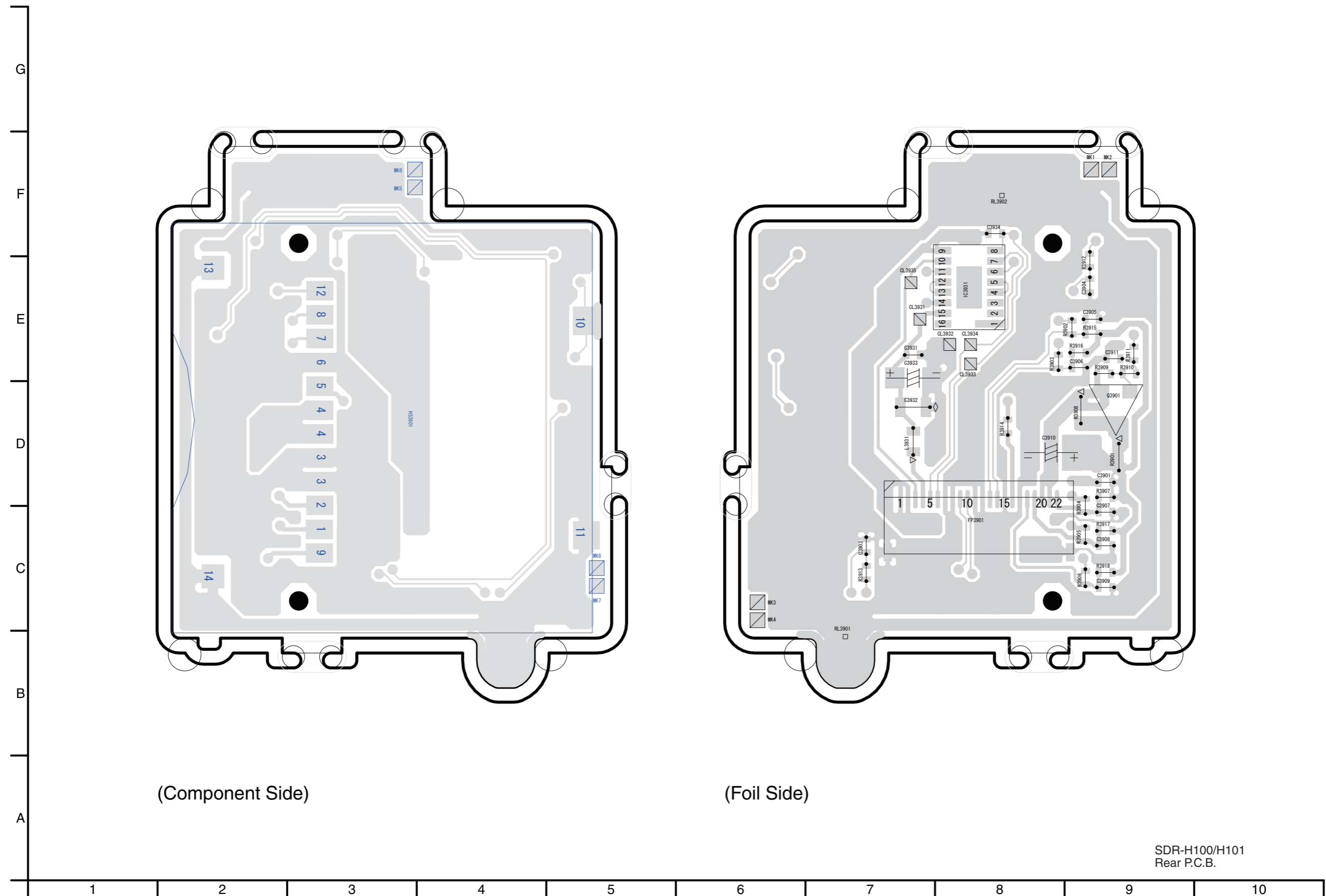
S4.9. LED Light Schematic Diagram



SDR-H100/H101
LED Light
Schematic Diagram

S5. Print Circuit Board

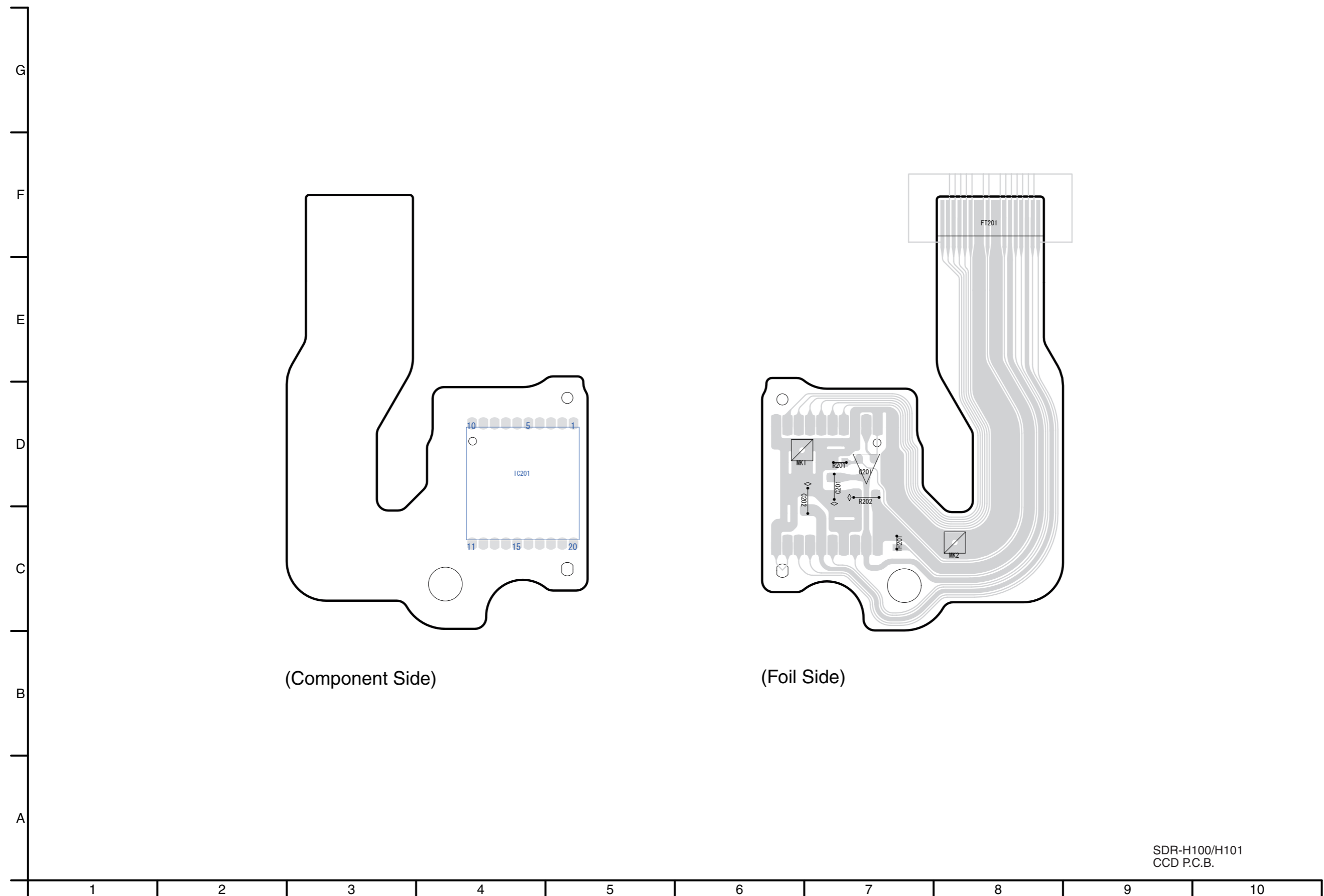
S5.1. Rear P.C.B.



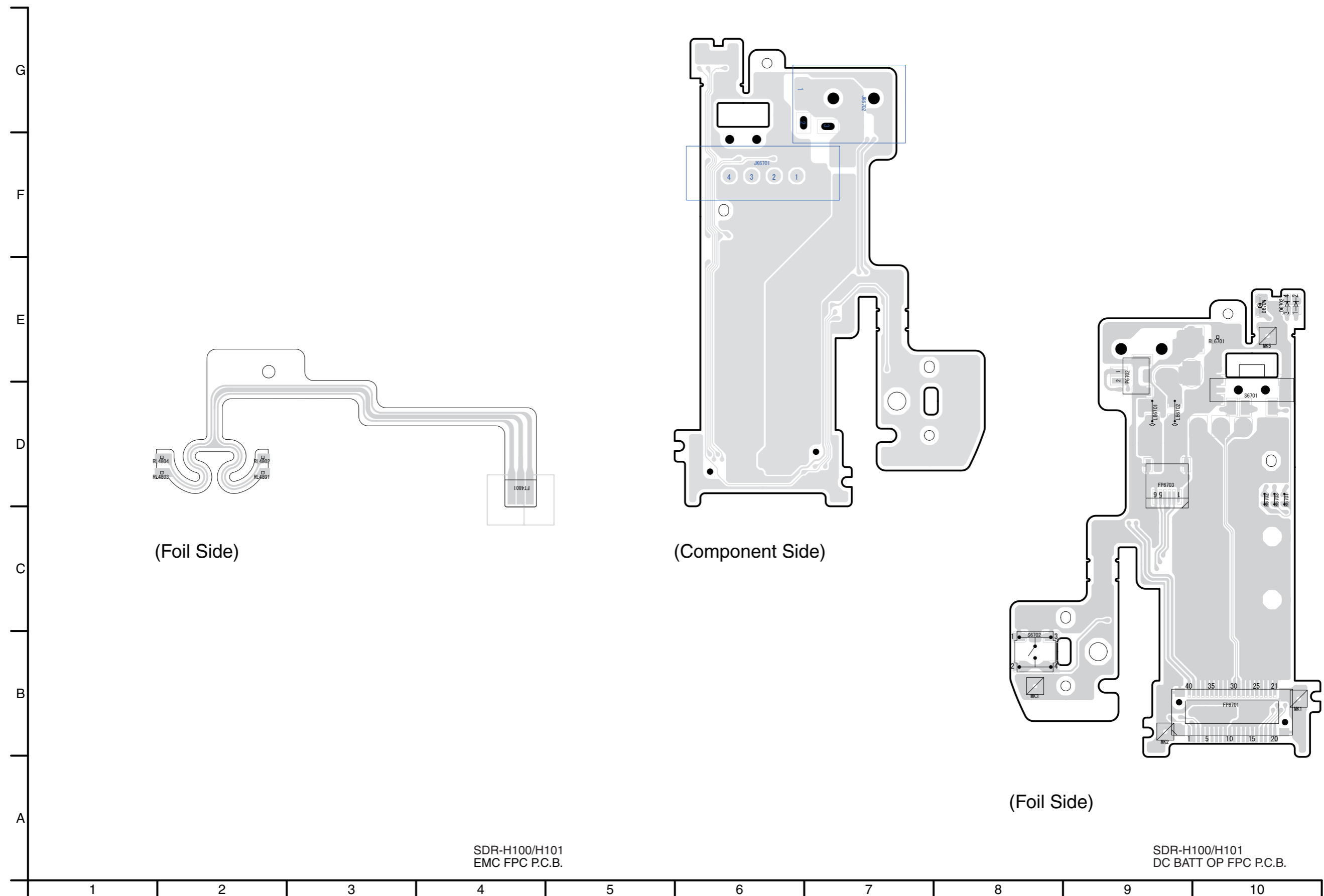
(Component Side)

(Foil Side)

S5.2. CCD P.C.B.



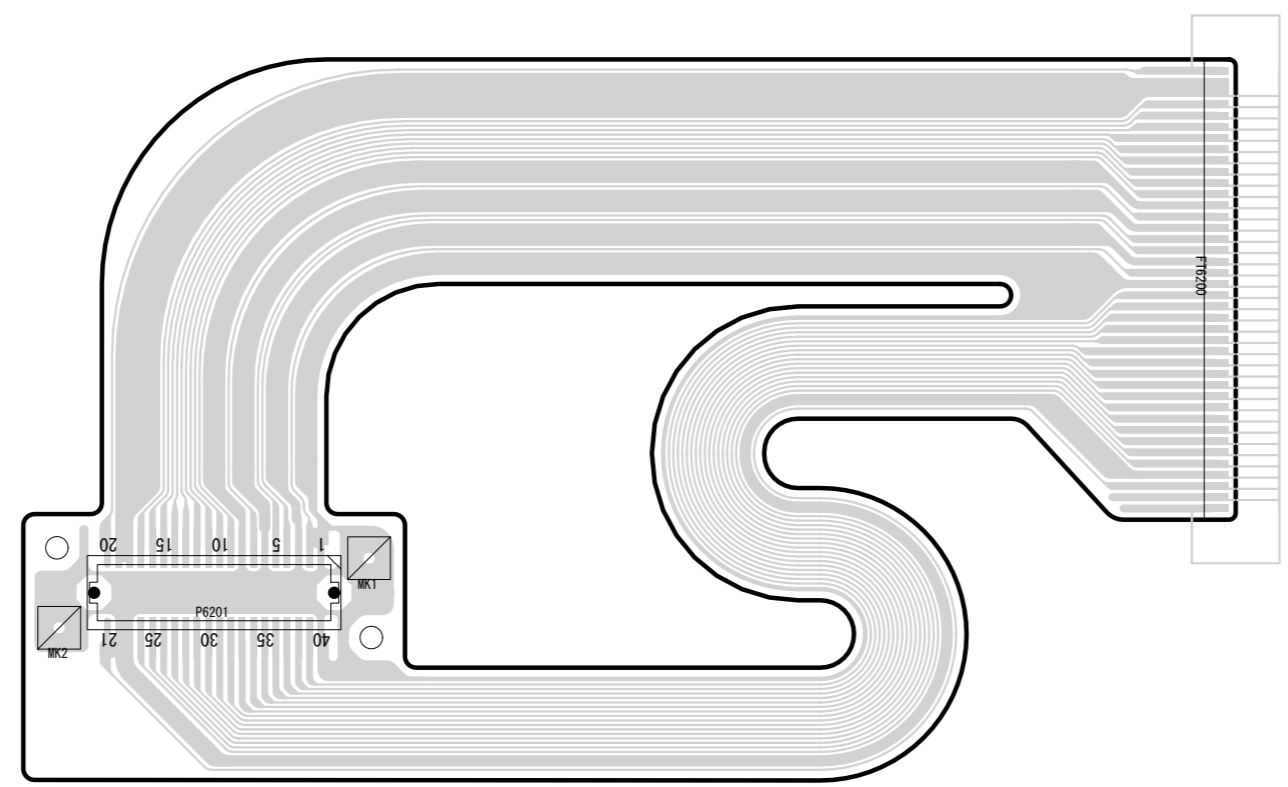
S5.3. EMC FPC P.C.B. / S5.4. DC BATT OP FPC P.C.B.



S5.5. HDD FPC P.C.B. / S5.6. MONI FPC P.C.B.

1/4		SDR-H100/H101 HDD FPC P.C.B.

N
M
L
K
J
I
H
G

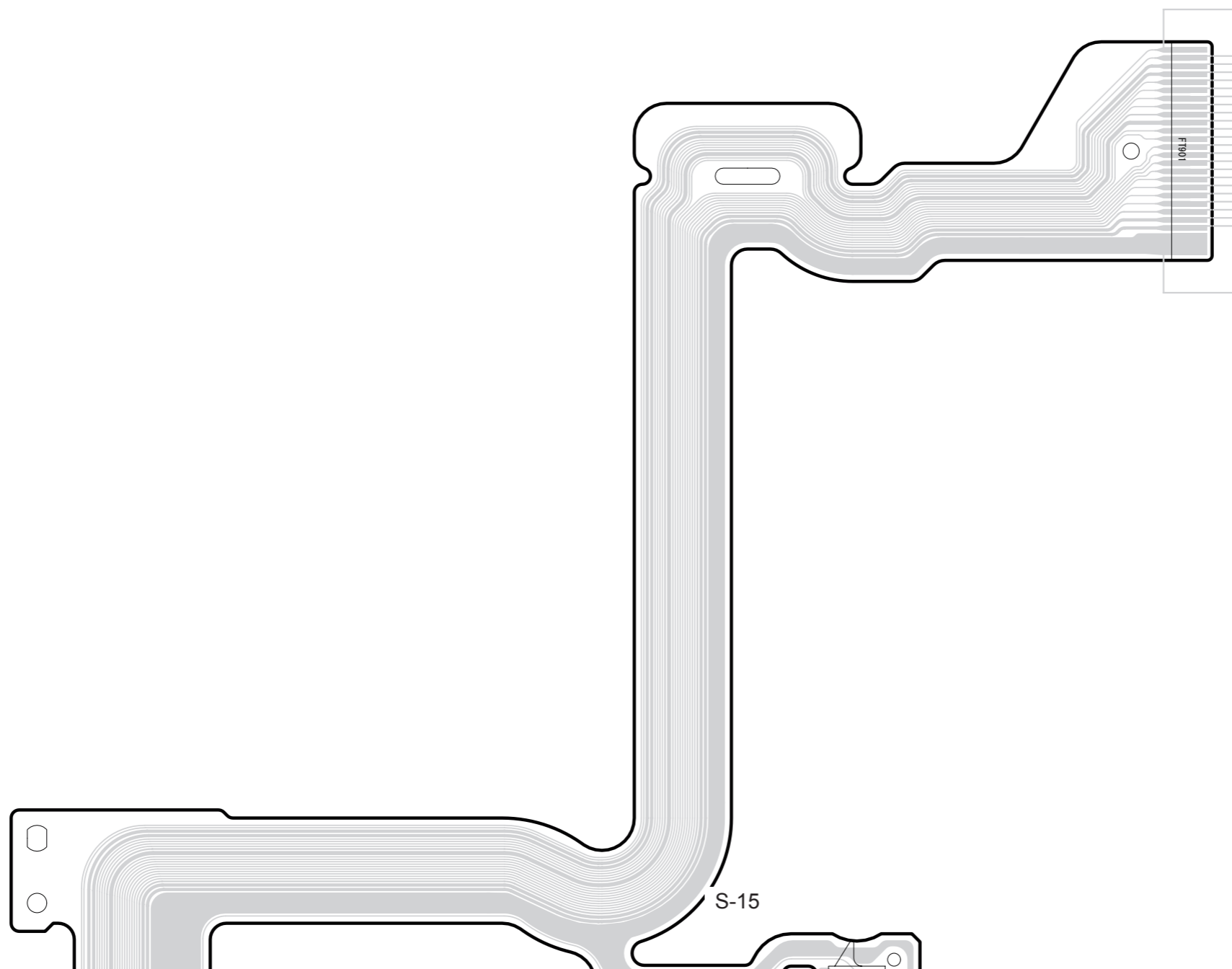


(Foil Side)



	2/4

SDR-H100/H101
MONI FPC P.C.B.



H

G

F

E

D

C

B

A

1

2

3

4

5

6

7

8

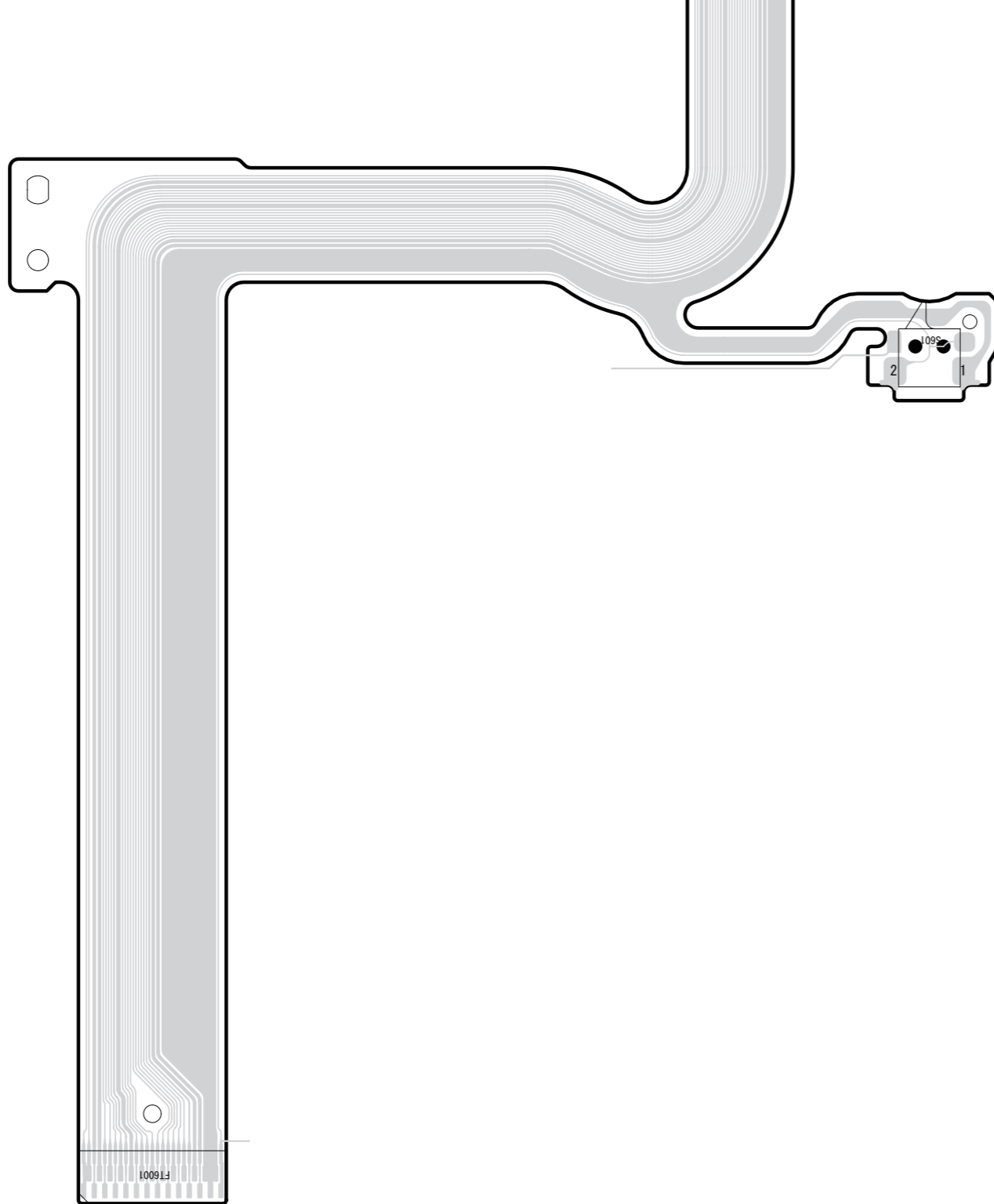
9

10

11

3/4	

SDR-H100/H101
HDD FPC P.C.B.



(Foil Side)

	4/4

SDR-H100/H101
MONI FPC P.C.B.

11

12

13

14

15

16

17

18

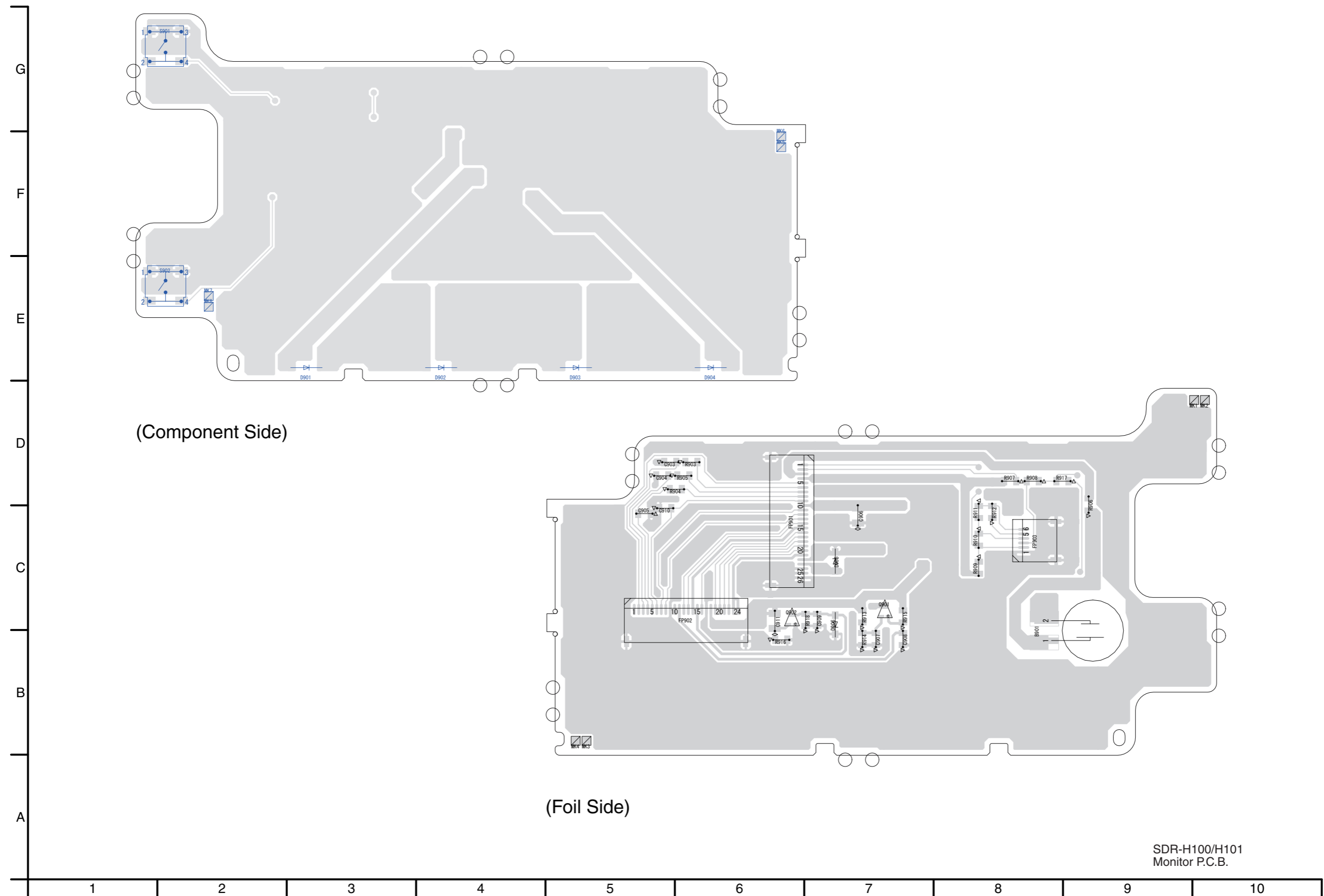
19

20

21

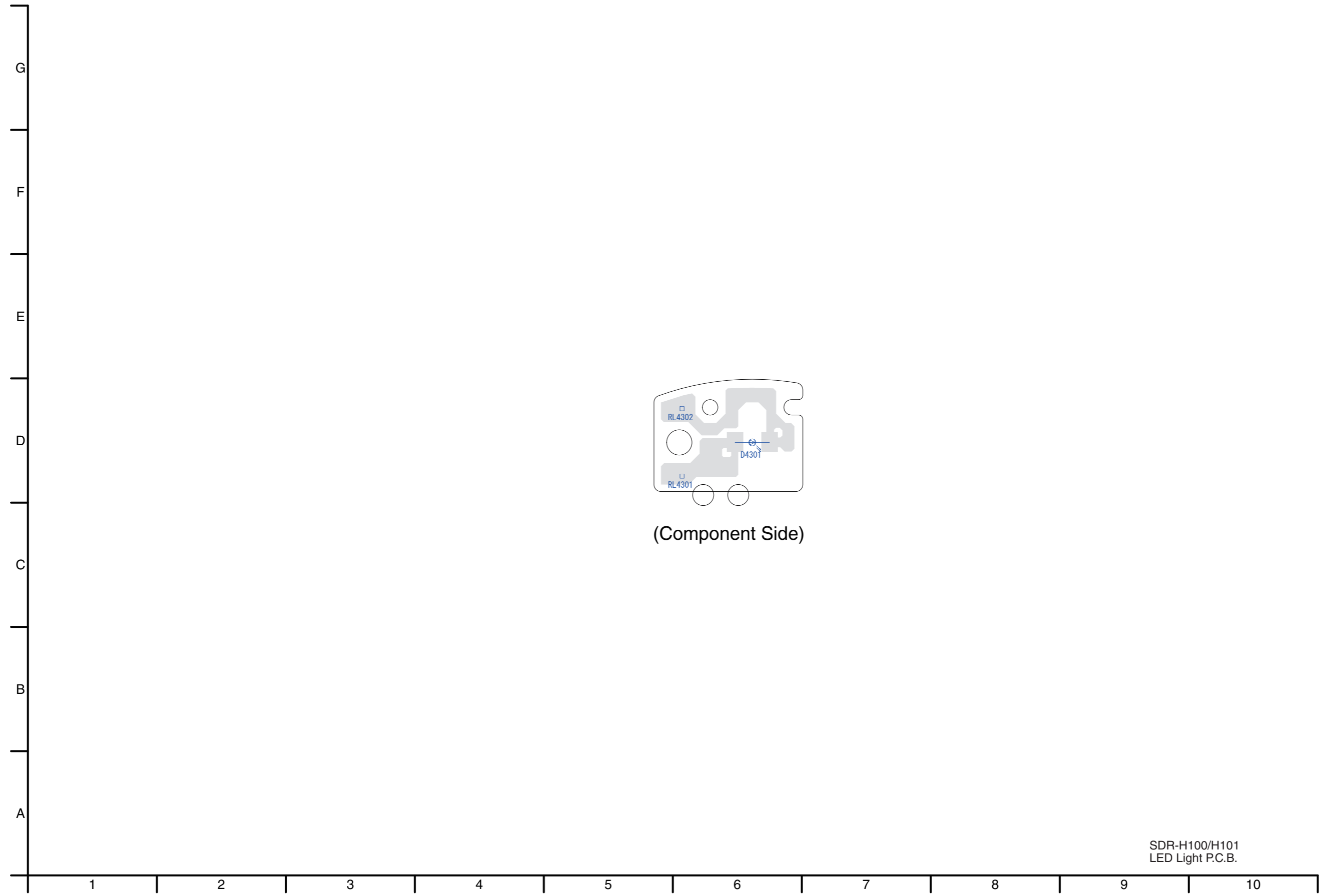


S5.7. Monitor P.C.B.



SDR-H100/H101
Monitor P.C.B.

S5.8. LED Light P.C.B.



(Component Side)

S6. Replacement Parts List

- Note: 1.* Be sure to make your orders of replacement parts according to this list.
2. IMPORTANT SAFETY NOTICE
Components identified with the mark \triangle have the special characteristics for safety.
When replacing any of these components, use only the same type.
3. Unless otherwise specified,
All resistors are in OHMS, K=1,000 OHMS. All capacitors are in MICRO-FARADS (uf), P=uuF.
4. The marking (RTL) indicates the retention time is limited for this item. After the discontinuation of this assembly in production, it will no longer be available.

E.S.D. standards for Electrostatically Sensitive Devices, refer to “PREVENTION OF ELECTROSTATIC DISCHARGE (ESD) TO ELECTROSTATICALLY SENSITIVE (ES) DEVICES” section.

Ref.No.	Part No.	Part Name & Description	Pcs	Remarks
##	VEP02586A	REAR P.C.B.	1	(RTL) E.S.D.
##	VEP21310C	DC BATT OP FPC	1	(RTL) E.S.D.
##	VEP26326A	MONITOR PCB	1	(RTL) E.S.D.
##	VEP20C83B	LED LIGHT P.C.B.	1	(RTL) E.S.D. (SDR-H101)
##	VEP02586A	REAR P.C.B.		(RTL) E.S.D.
C3901	F1G1C104A077	C.CAPACITOR CH 16V 0.1U	1	
C3903	ECJ0EB1C103K	C.CAPACITOR CH 16V 0.01U	1	
C3904	ECJ0EB1C103K	C.CAPACITOR CH 16V 0.01U	1	
C3910	F3G0J107A017	C.CAPACITOR CH 6.3V 100U	1	
C3911	ECJ0EB0J105K	C.CAPACITOR CH 6.3V 1U	1	
C3932	F1J1A106A023	C.CAPACITOR CH 10V 10U	1	
C3934	F1G1C104A077	C.CAPACITOR CH 16V 0.1U	1	
FP3901	K1MN22BA0197	CONNECTOR 22P	1	
HS3901	K1NA09E00098	SD CARD CONNECTOR	1	
IC3931	L2ES00000031	IC	1	E.S.D.
L3931	G1C100MA0495	CHIP INDUCTOR 10UH	1	
Q3901	B1ADKB000015	TRANSISTOR	1	E.S.D.
R3902	ERJ2GEJ390X	M.RESISTOR CH 1/16W 39	1	
R3903	ERJ2GEJ390X	M.RESISTOR CH 1/16W 39	1	
R3904	ERJ2GEJ390X	M.RESISTOR CH 1/16W 39	1	
R3905	ERJ2GEJ390X	M.RESISTOR CH 1/16W 39	1	
R3906	ERJ2GEJ390X	M.RESISTOR CH 1/16W 39	1	
R3907	ERJ2GEJ103X	M.RESISTOR CH 1/10W 10K	1	
R3908	D0GB150JA057	M.RESISTOR CH 1/10W 15	1	
R3909	ERJ2GEJ333	M.RESISTOR CH 1/16W 33K	1	
R3910	ERJ2GEJ331	M.RESISTOR CH 1/16W 330	1	
R3911	ERJ2GEJ271	M.RESISTOR CH 1/16W 270	1	
R3912	ERJ2GEJ102X	M.RESISTOR CH 1/16W 1K	1	
R3913	ERJ2GEJ102X	M.RESISTOR CH 1/16W 1K	1	
R3914	ERJ2GEJ220X	M.RESISTOR CH 1/16W 22	1	
R3915	ERJ2GEJ103X	M.RESISTOR CH 1/10W 10K	1	
R3916	ERJ2GEJ103X	M.RESISTOR CH 1/10W 10K	1	
R3917	ERJ2GEJ103X	M.RESISTOR CH 1/10W 10K	1	
R3918	ERJ2GEJ103X	M.RESISTOR CH 1/10W 10K	1	
##	VEP21310C	DC BATT OP FPC		(RTL) E.S.D.
D6701	B3AAB0000343	LED	1	
D6702	B3AGB0000063	LED	1	
FP6701	K1KB40AA0094	CONNECTOR 40P	1	
FP6703	K1MN06BA0197	CONNECTOR 6P	1	
JK6701	K4ZZ04000056	JK, BATTERY	1	
JK6702	K2EB2B000024	JK, DC IN	1	
LB6701	J0JJC0000015	FILTER	1	
LB6702	J0JJC0000015	FILTER	1	
P6702	K1KA02AA0051	CONNECTOR 2P	1	
R6701	ERJ2GEJ223X	M.RESISTOR CH 1/16W 22K	1	
R6702	ERJ2GEJ472X	M.RESISTOR CH 1/16W 4.7K	1	
R6703	ERJ2GEJ103X	M.RESISTOR CH 1/10W 10K	1	

Ref.No.	Part No.	Part Name & Description	Pcs	Remarks
S6701	K0D112B00071	SWITCH	1	
S6702	K0F111A00589	SWITCH	1	
##	VEP26326A	MONITOR PCB		(RTL) E.S.D.
△ B901	ML-614S/DN	BUTTON BATTERY	1	
C903	ECJ1VC1H390J	C.CAPACITOR CH 50V 39P	1	
C904	ECJ1VC1H390J	C.CAPACITOR CH 50V 39P	1	
C905	ECJ1VC1H390J	C.CAPACITOR CH 50V 39P	1	
C906	ECJ2FB1A475K	C.CAPACITOR CH 10V 4.7U	1	
C908	ECJ1VB1C104K	C.CAPACITOR CH 16V 0.1U	1	
C909	F1H1A105A025	C.CAPACITOR CH 10V 1U	1	
C910	ECJ1VB0J105K	C.CAPACITOR CH 6.3V 1U	1	
D901	B3AFB0000200	DIODE	1	
D902	B3AFB0000200	DIODE	1	
D903	B3AFB0000200	DIODE	1	
D904	B3AFB0000200	DIODE	1	
D905	B0BC016A0267	DIODE	1	
D906	B0BC5R6A0266	DIODE	1	
FP901	K1MN26BA0197	CONNECTOR 26P	1	
FP902	K1MN24BA0197	CONNECTOR 24P	1	
FP903	K1MN06BA0197	CONNECTOR 6P	1	
Q901	DSA300100L	TRANSISTOR	1	E.S.D.
R903	ERJ3RBD271	M.RESISTOR CH 1/10W 270	1	
R904	ERJ3RBD271	M.RESISTOR CH 1/10W 270	1	
R905	ERJ3RBD271	M.RESISTOR CH 1/10W 270	1	
R906	D0GB222JA041	M.RESISTOR CH 1/10W 2.2K	1	
R907	D0GB103JA057	M.RESISTOR CH 1/10W 10K	1	
R908	D0GB272JA041	M.RESISTOR CH 1/10W 2.7K	1	
R909	D0GB103JA057	M.RESISTOR CH 1/10W 10K	1	
R910	D0GB272JA041	M.RESISTOR CH 1/10W 2.7K	1	
R911	D0GB562JA041	M.RESISTOR CH 1/10W 5.6K	1	
R912	D0GB183JA057	M.RESISTOR CH 1/10W 18K	1	
R913	ERJ3RBD563V	M.RESISTOR CH 1/10W 56K	1	
R914	ERJ3RBD562V	M.RESISTOR CH 1/10W 5.6K	1	
R915	D0GB473JA057	M.RESISTOR CH 1/10W 47K	1	
R917	D0GB562JA041	M.RESISTOR CH 1/10W 5.6K	1	
R918	D0GB105JA057	M.RESISTOR CH 1/10W 1M	1	
S901	K0F111A00589	SWITCH	1	
S902	K0F111A00589	SWITCH	1	
##	VEP20C83B	LED LIGHT P.C.B.		(SDR-H101) (RTL) E.S.D.
D4301	B3AFB0000391	LED	1	(SDR-H101) E.S.D.

SDR-H100EG-K vol.1

Ref.No.	Part No.	Part Name & Description	Pcs	Remarks
1	VEP02586A	REAR P.C.B.	1	(RTL) E.S.D.
2	LSKF0753	REAR COVER	1	
3	VGK3747	FRONT CASE	1	(-K,-R,-H)
3	VGK3753	FRONT CASE	1	(-S)
4	LSYK2896	LENS PIECE U	1	(SDR-H100)
4	LSYK2897	LENS PIECE U	1	(SDR-H101)
5	LSYK2901	FRONT PANEL U	1	
6	LSGT0633	SHUTTER KNOB	1	
7	VDL2468	LED LIGHT LENS	1	(SDR-H101)
8	VEP20C83B	LED LIGHT P.C.B.	1	(SDR-H101) (RTL) E.S.D.
8-1	VEE1H20	LIGHT WIRE	1	(SDR-H101)
9	LSMG0199	LENS DAMPER	1	
10	LSKM1993	GRIP COVER(HDD)	1	
11	LSMA1064	STRAP ANGLE	1	
12	LSMA1064	STRAP ANGLE	1	
13	LSGQ0371	GRIP BELT U	1	
14	LSYK2927	JACK COVER (HDD) U	1	
22	VEP03J05AP	MAIN P.C.B	1	(RTL) E.S.D.
				H100EG,EB,EF,EC,EP
22	VEP03J05AN	MAIN P.C.B	1	(RTL) E.S.D. H100P,PC,GT
22	VEP03J05AQ	MAIN P.C.B	1	(RTL) E.S.D. H100EE
22	VEP03J05AS	MAIN P.C.B	1	(RTL) E.S.D. H101EB
22	VEP03J05AM	MAIN P.C.B	1	(RTL) E.S.D. H101PU,PR
22	VEP03J05AR	MAIN P.C.B	1	(RTL) E.S.D.
				H101GC,GA,GK,GN
23	VKM9297	REAR CASE	1	
24	LSGT0630	BATTERY RELEASE KNOB	1	
25	LSMB0369	BATTERY RELEASE SPRING	1	
26	LSMD1117	BATTERY RELEASE HOLDER	1	
27	LSGT0631	MODE SELECT KNOB	1	
28	LSGL1553	LED PANEL(REAR)	1	
29	LSSC1111	EARTH PLATE(MODE)	1	
30	LSGT0632	S/S BUTTON	1	
31	VEP21310C	DC BATT OP FPC	1	(RTL) E.S.D.
32	LSSC1112	EARTH PLATE (REAR)	1	
35	VYK4Q43	SIDE CASE R U	1	H100EG,EB,EF,EC,EP,EE
35	VYK4Q44	SIDE CASE R U	1	H100P
35	VYK4Q45	SIDE CASE R U	1	H100PC
35	VYK4Q46	SIDE CASE R U	1	H100GT
35	VYK4Q47	SIDE CASE R U	1	H101EB,PU,PR
35	VYK4Q48	SIDE CASE R U	1	H101GC,GA,GN
35	VYK4Q49	SIDE CASE R U	1	H101GK
36	VKM9155	TOP CASE	1	(-S)
36	VKM9099	TOP CASE	1	(-K)
36	VKM9156	TOP CASE	1	(-R)
36	VKM9158	TOP CASE	1	(-H)
37	VGU0J34	TOP BUTTON	1	(-S)
37	VGU0J22	TOP BUTTON	1	(-K,-H)
37	VGU0J36	TOP BUTTON	1	(-R)
38	LSGK1039	DECO. PIECE (TOP)	1	(-S)
38	LSGK1047	DECO. PIECE (TOP)	1	(-K,-R,-H)
39	LSYK2810	TOP OPERATION U	1	
40	L0AA01A00049	SPEAKER	1	
41	LSMC0178	SPEAKER ANGLE	1	
42	LSMA1169	MAIN FRAME	1	
43	LSHN0021	TRIPOD FRAME	1	
44	LSKM1991	SHUTTER GUIDE	1	
45	LSML0386	SHUTTER ARM	1	
46	LSKF0749	SHUTTER PANEL	1	
47	LSGF0561	SHUTTER COVER	1	
48	LSMB0370	SHUTTER SPRING	1	
49	LSEQ0874	MIC U	1	
50	RFKV0219HDKT	HDD (80GB)	1	
51	VEP79257A	HDD FPC	1	
52	VMG1922	HDD DAMPER	1	
53	VMG1922	HDD DAMPER	1	
55	LSGK1045	GRIP PIECE	1	
56	VWJ2129	REAR FPC	1	
57	LSGL1555	LED PANEL(REAR/HDD)	1	
58	LSSC1110	SIDE L ANGLE	1	
59	LSMX0291	WIRE BARRIER	1	
60	VGQ0V74	SHEET	1	

Ref.No.	Part No.	Part Name & Description	Pcs	Remarks
B1	XQN16+BJ4FN	SCREW	1	
B2	XQN16+BJ4FN	SCREW	1	
B3	XQN16+BJ4FN	SCREW	1	
B4	XQN16+BJ5FN	SCREW	1	
B5	XQN16+BJ5FN	SCREW	1	
B6	XQN16+BJ5FN	SCREW	1	(SDR-H101)
B7	XQN16+B4FJK	SCREW	1	
B8	XQN16+BJ5FJK	SCREW	1	
B9	XQN16+B4FJK	SCREW	1	
B10	XQN16+B4FJK	SCREW	1	
B11	XQN16+B4FJK	SCREW	1	
B12	XQN16+B4FJK	SCREW	1	
B13	XQN16+B4FJK	SCREW	1	
B14	XQN16+B4FJK	SCREW	1	
B15	XQN16+B4FJK	SCREW	1	
B16	XQN16+B4FJK	SCREW	1	
B18	XQN16+BJ5FJK	SCREW	1	
B19	VHD1919	SCREW	1	
B20	VHD1919	SCREW	1	
B21	XQN16+BJ4FN	SCREW	1	
B22	XQN16+BJ4FN	SCREW	1	
B23	XQN16+BJ5FJK	SCREW	1	
B24	XQN16+BJ5FN	SCREW	1	
B25	XQN16+B4FJK	SCREW	1	
B30	XQN16+B4FJK	SCREW	1	
B31	XQN16+B4FJK	SCREW	1	
B32	XQN16+BJ5FJK	SCREW	1	
B33	XQN16+B4FJK	SCREW	1	
B34	XQN16+B4FN	SCREW	1	
B35	XQN16+B4FN	SCREW	1	
B36	XQN16+BJ5FJK	SCREW	1	
B37	XQN16+BJ4FN	SCREW	1	
B38	XQN16+BJ4FN	SCREW	1	
B39	XQN16+BJ4FN	SCREW	1	
B40	XQN16+BJ4FN	SCREW	1	
B41	XQN16+B4FN	SCREW	1	
B42	XQN16+B4FN	SCREW	1	
B43	XQN16+B4FN	SCREW	1	
B44	XQN16+B4FJK	SCREW	1	
B45	XQN16+B4FJK	SCREW	1	

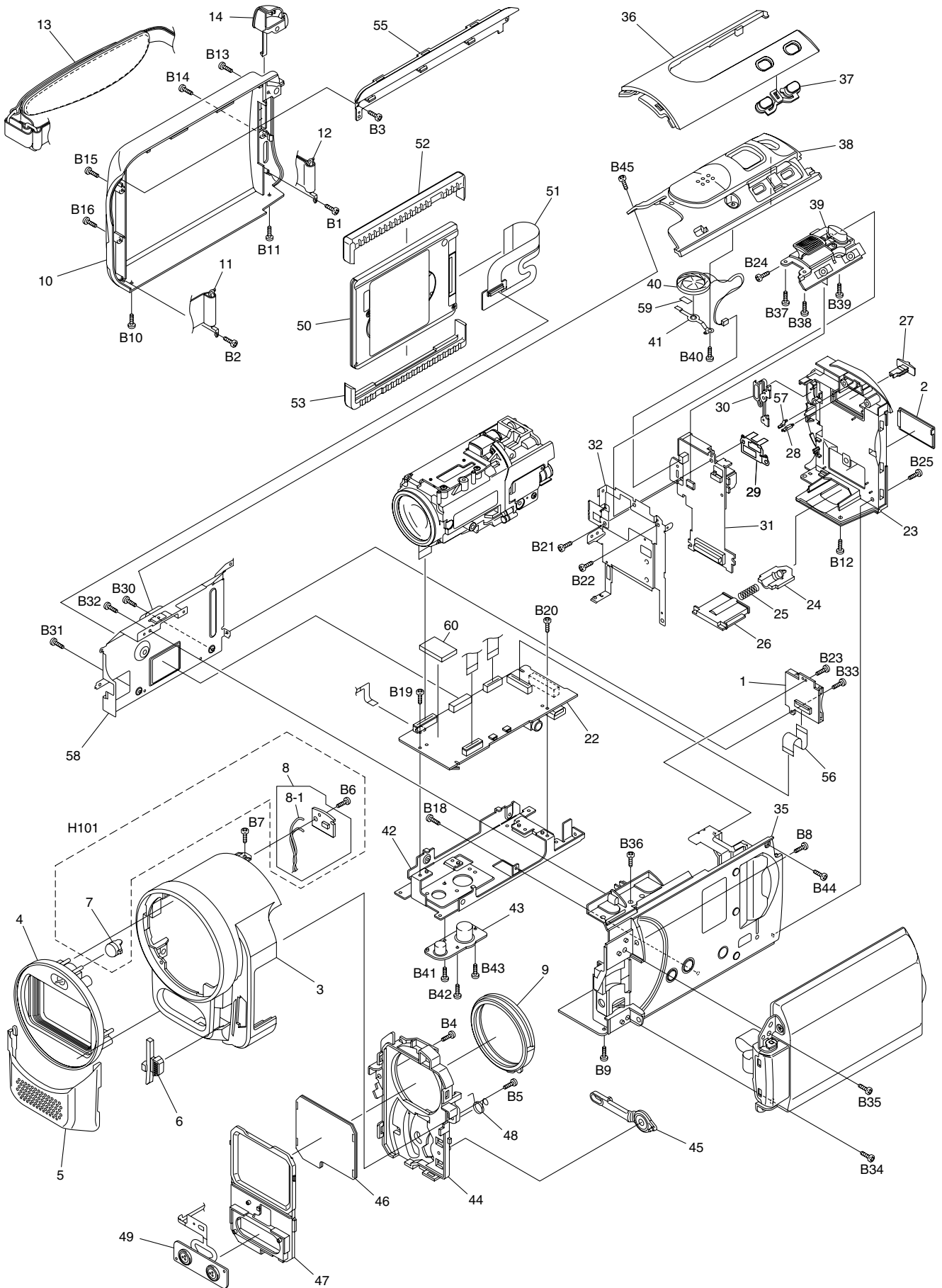
Ref.No.	Part No.	Part Name & Description	Pcs	Remarks	Ref.No.	Part No.	Part Name & Description	Pcs	Remarks
15	LSKM1982	LCD CASE B	1						
16	LSGU0776	LCD OPERATION BUTTON	1						
17	LSGU0776	LCD OPERATION BUTTON	1						
18	LSSC1107	LCD SHIELD CASE	1						
19	VYK4M83	LCD U	1						
20	VEP26326A	MONITOR PCB	1	(RTL) E.S.D.					
21	LSYK2869	MENU SELECTOR U	1						
33	LSYK2866	SHAFT CASE U	1	(-S)					
33	LSYK2865	SHAFT CASE U	1	(-K,-R,-H)					
34	VYK4M96	LCD CASE A U	1	H100EG-K,EB-K,EF-K,EC-K, EP-K,P-K,PC-K,GT-K,EE-K					
34	VYK4R38	LCD CASE A U	1	H100P-S,PC-S,GT-S					
34	VYK4R39	LCD CASE A U	1	H100P-R,PC-R,GT-R					
34	VYK4X88	LCD CASE A U	1	H101EB-H					
34	VYK4R40	LCD CASE A U	1	H101PU-S,GC-S,GA-S					
34	VYK4N85	LCD CASE A U	1	H101PU-K,PR-K,GC-K,GA-K, GN-K,GK-K					
34	VYK4R41	LCD CASE A U	1	H101PU-R,GC-R,GA-R,GN-R, GK-R					
B17	XQN16+BJ4FN	SCREW	1						
B26	XQN16+B3FN	SCREW	1						
B27	XQN16+B3FN	SCREW	1						

Ref.No.	Part No.	Part Name & Description	Pcs	Remarks
501	VPG2Q84	PACKING CASE	1	H100EG-K,EB-K,EF-K,EC-K,EP-K,EE-K
501	VPG2W03	PACKING CASE	1	H100GT-K
501	VYQ6273	PACKING CASE U	1	H100P-S,PC-S
501	VPG2Q83	PACKING CASE	1	H100P-K,PC-K
501	VYQ6275	PACKING CASE U	1	H100P-R,PC-R
501	VYQ6274	PACKING CASE U	1	H100GT-S
501	VYQ6276	PACKING CASE U	1	H100GT-R
501	VPG2W21	PACKING CASE	1	H101EB
501	VYQ6277	PACKING CASE U	1	H101PU-S
501	VPG2U08	PACKING CASE	1	H101PU-K,PR-K
501	VYQ6279	PACKING CASE U	1	H101PU-R
501	VYQ6278	PACKING CASE U	1	H101GC-S
501	VPG2Q85	PACKING CASE	1	H101GC-K
501	VYQ6280	PACKING CASE U	1	H101GC-R
501	VYQ6307	PACKING CASE U	1	H101GA-S
501	VPG2U08	PACKING CASE	1	H101GA-K,GN-K
501	VYQ6308	PACKING CASE U	1	H101GA-R,GN-R
501	VYQ6114	PACKING CASE U	1	H101GK-K
501	VYQ6281	PACKING CASE U	1	H101GK-R
502	VPF1294	POLYETHYLENE BAG	1	
503	VPF1388	PROTECT BAG	1	
504	K2KC4CB00027	AV CABLE	1	
505	K1HA05AD0007	USB CABLE	1	
△ 506	K2CQ29A00002	AC CORD	1	H100EG,EF,EC,EP,EE, H101GC,GA
△ 506	K2CT39A00002	AC CORD	1	H100EB, H101EB,GC,GA
△ 506	K2CA2CA00025	AC CORD	1	H100P,PC, H101PU
△ 506	K2CA29A00021	AC CORD	1	H100GT
△ 506	K2CJ29A00003	AC CORD	1	H101PR
△ 506	K2CA2Y00070	AC CORD	1	H101GK
△ 506	K2CJ29A00002	AC CORD	1	H101GN
△ 507	VSK0712	AC ADAPTOR	1	H100EG,EB,EF,EC,EP,EE, H101EB,PU,PR,GC,GA,GN
△ 507	VSK0711	AC ADAPTOR	1	H100P,PC
△ 507	VSK0714	AC ADAPTOR	1	H100GT
△ 507	VSK0713	AC ADAPTOR	1	H101GK
508	VPN6972	PAD	1	H100EG,EB,EF,EC,EP,P,PC,GT,EE, H101EB,PU,PR,GA,GK,GN
508	VPN6994	PAD	1	H101GC
509	VFF0724-S	CD-ROM	1	H100EG,EB,EF,EC,EP,P,PC,GT,EE, H101EB,PU,PR,GC,GA,GN
509	VFF0725-S	CD-ROM	1	H101GK
△ 510	VQT3E72	O/I	1	H100EG (GERMAN/FRENCH)
△ 510	VQT3E73	O/I	1	H100EG (ITALIAN/DUTCH)
△ 510	VQT3E75	O/I	1	H100EG (TURKISH)
△ 510	VQT3E82	O/I	1	H100EB, H101EB (ENGLISH)
△ 510	VQT3E76	O/I	1	H100EF (FRENCH)
△ 510	VQT3E77	O/I	1	H100EC (PORTUGUESE/SPANISH)
△ 510	VQT3E78	O/I	1	H100EC (SWEDISH/DANISH)
△ 510	VQT3E79	O/I	1	H100EC (FINNISH)
△ 510	VQT3E80	O/I	1	H100EP (ENGLISH/POLISH)
△ 510	VQT3E81	O/I	1	H100EP (CZECH/HUNGARIAN)
△ 510	VQT3E42	O/I	1	H100P,PC (ENGLISH)
△ 510	VQT3E44	O/I	1	H100PC (CANADIAN FRENCH)
△ 510	VQT3E91	O/I	1	H100GT (CHINESE/TRADITIONAL))
△ 510	VQT3E87	O/I	1	H100EE (RUSSIAN)
△ 510	VQT3E88	O/I	1	H100EE (UKRAINIAN)

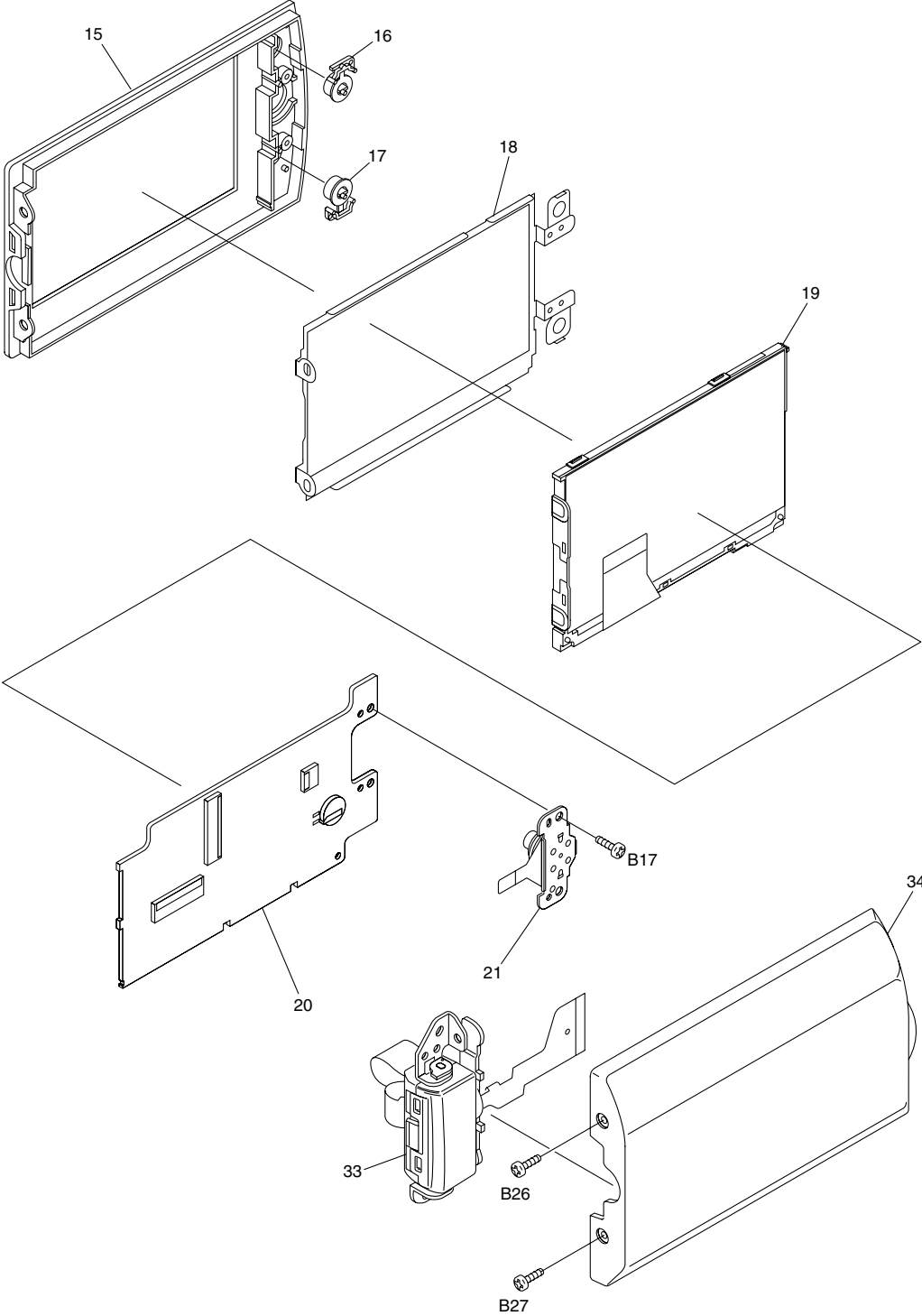
Ref.No.	Part No.	Part Name & Description	Pcs	Remarks
△ 510	VQT3E92	O/I	1	H101PU (ENGLISH)
△ 510	VQT3E93	O/I	1	H101PU,PR (SPANISH)
△ 510	VQT3E83	O/I	1	H101GC (ENGLISH)
△ 510	VQT3E84	O/I	1	H101GC (ARABIC/PERSIAN)
△ 510	VQT3E85	O/I	1	H101GA (ENGLISH/ CHINESE(TRADITIONAL))
△ 510	VQT3E86	O/I	1	H101GA (THAI/HINDI)
△ 510	VQT3E90	O/I	1	H101GK (CHINESE (SIMPLIFIED))
△ 510	VQT3E89	O/I	1	H101GN (ENGLISH)
511	VFF0741	CD-ROM(O/I)	1	H100EG,EC,EP
511	VFF0742	CD-ROM(O/I)	1	H101GC
511	VFF0792	CD-ROM(O/I)	1	H101GA
512	LSMF0623	NON WOVEN FABLIC	1	

S7. Exploded View

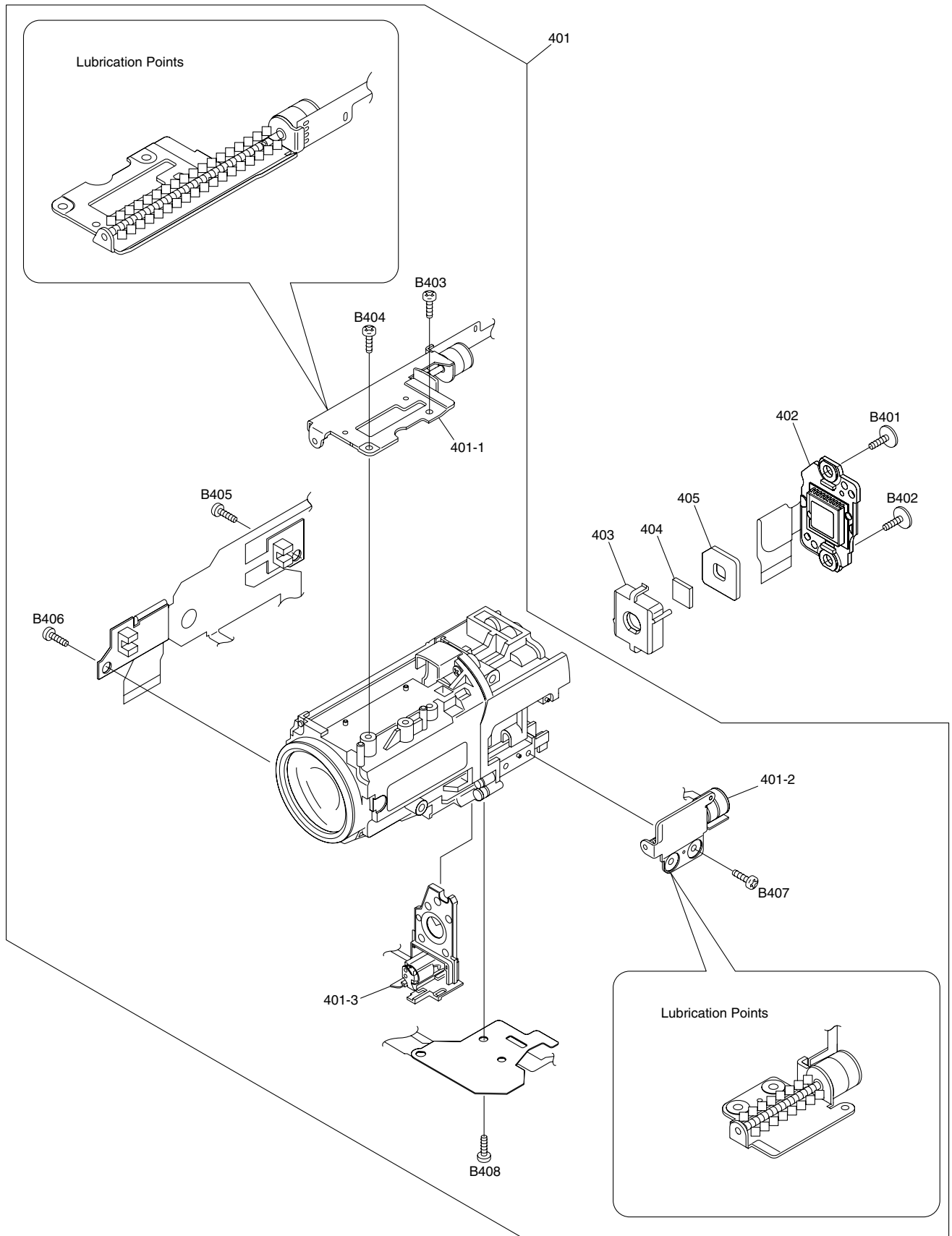
S7.1. Frame and Casing Section



S7.2. LCD Section



S7.3. Lens Section



S7.4. Packing Parts and Accessories Section

