

# Service Manual

Digital Video Camcorder

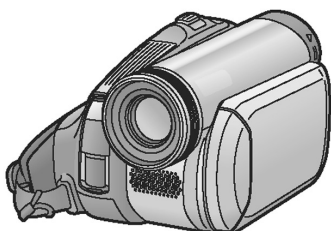
*Simplified*

NV-GS60E NV-GS60EB  
NV-GS60EE NV-GS60EF  
NV-GS60EG NV-GS60EP  
NV-GS60GC NV-GS60GN  
NV-GS68GK

Vol. 1

Colours

(S).....Silver Type




PbF  
Solder Lead free

Please file and use this manual together with the service manual for Model No. NV-GS27E/NV-GS27EB/NV-GS27EE/NV-GS27EF/NV-GS27EG/NV-GS27EP/NV-GS27GC/NV-GS27GN/NV-GS26GK, Order No. VM0602001CE.

## **WARNING**

This service information is designed for experienced repair technicians only and is not designed for use by the general public. It does not contain warnings or cautions to advise non-technical individuals of potential dangers in attempting to service a product. Products powered by electricity should be serviced or repaired only by experienced professional technicians. Any attempt to service or repair the product or products dealt with in this service information by anyone else could result in serious injury or death.

## **IMPORTANT SAFETY NOTICE**

There are special components used in this equipment which are important for safety. These parts are marked by  in the Schematic Diagrams, Circuit Board Diagrams, Exploded Views and Replacement Parts List. It is essential that these critical parts should be replaced with manufacturer's specified parts to prevent shock, fire or other hazards. Do not modify the original design without permission of manufacturer.

# CONTENTS

	Page		Page
<b>1 DIFFERENCES BETWEEN NV-GS60EG and NV-GS27EG</b> .....	<b>3</b>	<b>7 DIFFERENCES BETWEEN NV-GS60EE and NV-GS27EE</b> .....	<b>9</b>
1.1. REPLACEMENT NOTES .....	3	7.1. REPLACEMENT NOTES .....	9
1.2. COMPARISON CHART .....	3	7.2. COMPARISON CHART .....	9
<b>2 DIFFERENCES BETWEEN NV-GS60EF and NV-GS27EF</b> .....	<b>4</b>	<b>8 DIFFERENCES BETWEEN NV-GS60GN and NV-GS27GN</b> .....	<b>10</b>
2.1. REPLACEMENT NOTES .....	4	8.1. REPLACEMENT NOTES .....	10
2.2. COMPARISON CHART .....	4	8.2. COMPARISON CHART .....	10
<b>3 DIFFERENCES BETWEEN NV-GS60E and NV-GS27E</b> .....	<b>5</b>	<b>9 DIFFERENCES BETWEEN NV-GS68GK and NV-GS26GK</b> .....	<b>11</b>
3.1. REPLACEMENT NOTES .....	5	9.1. REPLACEMENT NOTES .....	11
3.2. COMPARISON CHART .....	5	9.2. COMPARISON CHART .....	11
<b>4 DIFFERENCES BETWEEN NV-GS60EP and NV-GS27EP</b> .....	<b>6</b>	<b>10 Service Fixture &amp; Tools</b> .....	<b>12</b>
4.1. REPLACEMENT NOTES .....	6	10.1. Service Position .....	12
4.2. COMPARISON CHART .....	6	10.2. Removal/Installation of F.P.C. From Non ZIF (Zero Insertion Force) Connector .....	14
<b>5 DIFFERENCES BETWEEN NV-GS60EB and NV-GS27EB</b> .....	<b>7</b>	10.3. Replacement Note for Connector FP4 .....	15
5.1. REPLACEMENT NOTES .....	7	<b>11 Exploded Views</b> .....	<b>16</b>
5.2. COMPARISON CHART .....	7	11.1. MECHANISM SECTION .....	16
<b>6 DIFFERENCES BETWEEN NV-GS60GC and NV-GS27GC</b> .....	<b>8</b>	11.2. PACKING PARTS AND ACCESSORIES SECTION .....	17
6.1. REPLACEMENT NOTES .....	8		
6.2. COMPARISON CHART .....	8		

# 1 DIFFERENCES BETWEEN NV-GS60EG and NV-GS27EG

## 1.1. REPLACEMENT NOTES

### 1.1.1. General Notes

1. Definition of Parts supplier:

a. All parts are supplied from PSEC.

## 1.2. COMPARISON CHART

### 1.2.1. MECHANICAL REPLACEMENT PARTS LIST

Ref. No.	Section No.	Pcs/ set	NV-GS27EG → NV-GS60EG		Part Name	Remarks
			Part No.	Part No.		
2	1	1	LSYK1699	LSYK2042	CASSETTE COVER UNIT	
12	1,5	1	LSXK0240	LSXK0241	EVF UNIT	RTL
17	5	1	LSJB8306	LSJB8305	EVF FLEXIBLE PRINTED CIRCUIT	
20	5	1	LSYK1532	LSYK1533	EVF CASE 1 UNIT,ABS RESIN	
33	3	1	LSYK1683	LSYK2142	LCD CASE A UNIT,ABS RESIN	
50	1	1	LSYK1687	LSYK1686	TOP UNIT	
103	7	1	LSPG2132	LSPG2370	PACKING CASE,PAPER	
104	7	1	LSPN0659	LSPN0782	PAD	
107	7	0 → 1	-----	LSPN0772	TOP PAD	
120	7	1	LSQT1002-A	LSQT1168-A	INSTRUCTION BOOK (GERMAN/ FRENCH/ITALIAN/DUTCH)	
121	7	1 → 0	LSQT1037-A	-----	INSTRUCTION BOOK (TURKISH)	
123	7	1 → 0	LSQT1038-B	-----	INSTRUCTION BOOK FOR CD-ROM (TURKISH)	
201	6	1	VXY1892Z1	LSVD0017	MAIN CHASSIS KIT	
534	6	1	VHD1757	VHD1861	SCREW,STEEL	

### 1.2.2. ELECTRICAL REPLACEMENT PARTS LIST

Ref. No.	Pcs/ set	NV-GS27EG → NV-GS60EG		Part Name	Remarks
		Part No.	Part No.		
E10	1	LSEP8330P1	LSEP8411P1	MAIN P.C.B.	E.S.D. RTL
E30	1	LSEP8331P1	LSEP8331R1	CAMERA P.C.B.	E.S.D. RTL
MAIN P.C.B.					
FP4	1	K1MN18BA0088	K1MN18BA0196	CONNECTOR 18P	

**Note:**

See Replacement note for Connector FP4.

## 2 DIFFERENCES BETWEEN NV-GS60EF and NV-GS27EF

### 2.1. REPLACEMENT NOTES

#### 2.1.1. General Notes

1. Definition of Parts supplier:

a. All parts are supplied from PSEC.

### 2.2. COMPARISON CHART

#### 2.2.1. MECHANICAL REPLACEMENT PARTS LIST

Ref. No.	Section No.	Pcs/ set	NV-GS27EF ➔ NV-GS60EF		Part Name	Remarks
			Part No.	Part No.		
2	1	1	LSYK1699	LSYK2042	CASSETTE COVER UNIT	
12	1,5	1	LSXK0240	LSXK0241	EVF UNIT	RTL
17	5	1	LSJB8306	LSJB8305	EVF FLEXIBLE PRINTED CIRCUIT	
20	5	1	LSYK1532	LSYK1533	EVF CASE 1 UNIT,ABS RESIN	
33	3	1	LSYK1683	LSYK2142	LCD CASE A UNIT,ABS RESIN	
50	1	1	LSYK1687	LSYK1686	TOP UNIT	
103	7	1	LSPG2132	LSPG2370	PACKING CASE,PAPER	
104	7	1	LSPN0659	LSPN0782	PAD	
107	7	0 → 1	-----	LSPN0772	TOP PAD	
120	7	1	LSQT1003-A	LSQT1169-A	INSTRUCTION BOOK (FRENCH)	
201	6	1	VXY1892Z1	LSVD0017	MAIN CHASSIS KIT	
534	6	1	VHD1757	VHD1861	SCREW,STEEL	

#### 2.2.2. ELECTRICAL REPLACEMENT PARTS LIST

Ref. No.	Pcs/ set	NV-GS27EF ➔ NV-GS60EF		Part Name	Remarks
		Part No.	Part No.		
E10	1	LSEP8330P1	LSEP8411P1	MAIN P.C.B.	E.S.D. RTL
E30	1	LSEP8331P1	LSEP8331R1	CAMERA P.C.B.	E.S.D. RTL
MAIN P.C.B.					
FP4	1	K1MN18BA0088	K1MN18BA0196	CONNECTOR 18P	

**Note:**

See Replacement note for Connector FP4.

### 3 DIFFERENCES BETWEEN NV-GS60E and NV-GS27E

#### 3.1. REPLACEMENT NOTES

##### 3.1.1. General Notes

1. Definition of Parts supplier:
  - a. All parts are supplied from PSEC.

#### 3.2. COMPARISON CHART

##### 3.2.1. MECHANICAL REPLACEMENT PARTS LIST

Ref. No.	Section No.	Pcs/ set	NV-GS27E ➔ NV-GS60E		Part Name	Remarks
			Part No.	Part No.		
2	1	1	LSYK1699	LSYK2042	CASSETTE COVER UNIT	
12	1,5	1	LSXK0240	LSXK0241	EVF UNIT	RTL
17	5	1	LSJB8306	LSJB8305	EVF FLEXIBLE PRINTED CIRCUIT	
20	5	1	LSYK1532	LSYK1533	EVF CASE 1 UNIT,ABS RESIN	
33	3	1	LSYK1683	LSYK2142	LCD CASE A UNIT,ABS RESIN	
50	1	1	LSYK1687	LSYK1686	TOP UNIT	
103	7	1	LSPG2132	LSPG2370	PACKING CASE,PAPER	
104	7	1	LSPN0659	LSPN0782	PAD	
107	7	0 → 1	-----	LSPN0772	TOP PAD	
120	7	1	LSQT1004-A	LSQT1170-A	INSTRUCTION BOOK (PORTUGUESE/ SPANISH/SWEDISH/DANISH)	
201	6	1	VXY1892Z1	LSVD0017	MAIN CHASSIS KIT	
534	6	1	VHD1757	VHD1861	SCREW,STEEL	

##### 3.2.2. ELECTRICAL REPLACEMENT PARTS LIST

Ref. No.	Pcs/ set	NV-GS27E ➔ NV-GS60E		Part Name	Remarks
		Part No.	Part No.		
E10	1	LSEP8330P1	LSEP8411P1	MAIN P.C.B.	E.S.D. RTL
E30	1	LSEP8331P1	LSEP8331R1	CAMERA P.C.B.	E.S.D. RTL
MAIN P.C.B.					
FP4	1	K1MN18BA0088	K1MN18BA0196	CONNECTOR 18P	

**Note:**

See Replacement note for Connector FP4.

## 4 DIFFERENCES BETWEEN NV-GS60EP and NV-GS27EP

### 4.1. REPLACEMENT NOTES

#### 4.1.1. General Notes

1. Definition of Parts supplier:

a. All parts are supplied from PSEC.

### 4.2. COMPARISON CHART

#### 4.2.1. MECHANICAL REPLACEMENT PARTS LIST

Ref. No.	Section No.	Pcs/ set	NV-GS27EP → NV-GS60EP		Part Name	Remarks
			Part No.	Part No.		
2	1	1	LSYK1699	LSYK2042	CASSETTE COVER UNIT	
12	1,5	1	LSXK0240	LSXK0241	EVF UNIT	RTL
17	5	1	LSJB8306	LSJB8305	EVF FLEXIBLE PRINTED CIRCUIT	
20	5	1	LSYK1532	LSYK1533	EVF CASE 1 UNIT,ABS RESIN	
33	3	1	LSYK1683	LSYK2142	LCD CASE A UNIT,ABS RESIN	
50	1	1	LSYK1687	LSYK1686	TOP UNIT	
103	7	1	LSPG2132	LSPG2370	PACKING CASE,PAPER	
104	7	1	LSPN0659	LSPN0782	PAD	
107	7	0 → 1	-----	LSPN0772	TOP PAD	
120	7	1	LSQT1005-A	LSQT1171-A	INSTRUCTION BOOK (ENGLISH/POLISH/ CZECH/HANGARIAN)	
201	6	1	VXY1892Z1	LSVD0017	MAIN CHASSIS KIT	
534	6	1	VHD1757	VHD1861	SCREW,STEEL	

#### 4.2.2. ELECTRICAL REPLACEMENT PARTS LIST

Ref. No.	Pcs/ set	NV-GS27EP → NV-GS60EP		Part Name	Remarks
		Part No.	Part No.		
E10	1	LSEP8330P1	LSEP8411P1	MAIN P.C.B.	E.S.D. RTL
E30	1	LSEP8331P1	LSEP8331R1	CAMERA P.C.B.	E.S.D. RTL
MAIN P.C.B.					
FP4	1	K1MN18BA0088	K1MN18BA0196	CONNECTOR 18P	

**Note:**

See Replacement note for Connector FP4.

# 5 DIFFERENCES BETWEEN NV-GS60EB and NV-GS27EB

## 5.1. REPLACEMENT NOTES

### 5.1.1. General Notes

1. Definition of Parts supplier:
  - a. All parts are supplied from PSEC.

## 5.2. COMPARISON CHART

### 5.2.1. MECHANICAL REPLACEMENT PARTS LIST

Ref. No.	Section No.	Pcs/ set	NV-GS27EB → NV-GS60EB		Part Name	Remarks
			Part No.	Part No.		
2	1	1	LSYK1699	LSYK2042	CASSETTE COVER UNIT	
12	1,5	1	LSXK0240	LSXK0241	EVF UNIT	RTL
17	5	1	LSJB8306	LSJB8305	EVF FLEXIBLE PRINTED CIRCUIT	
20	5	1	LSYK1532	LSYK1533	EVF CASE 1 UNIT,ABS RESIN	
33	3	1	LSYK1683	LSYK2142	LCD CASE A UNIT,ABS RESIN	
50	1	1	LSYK1687	LSYK1686	TOP UNIT	
103	7	1	LSPG2132	LSPG2370	PACKING CASE,PAPER	
104	7	1	LSPN0659	LSPN0782	PAD	
107	7	0 → 1	-----	LSPN0772	TOP PAD	
120	7	1	LSQT1006-A	LSQT1134-A	INSTRUCTION BOOK (ENGLISH)	
201	6	1	VXY1892Z1	LSVD0017	MAIN CHASSIS KIT	
534	6	1	VHD1757	VHD1861	SCREW,STEEL	

### 5.2.2. ELECTRICAL REPLACEMENT PARTS LIST

Ref. No.	Pcs/ set	NV-GS27EB → NV-GS60EB		Part Name	Remarks
		Part No.	Part No.		
E10	1	LSEP8330P1	LSEP8411P1	MAIN P.C.B.	E.S.D. RTL
E30	1	LSEP8331P1	LSEP8331R1	CAMERA P.C.B.	E.S.D. RTL
MAIN P.C.B.					
FP4	1	K1MN18BA0088	K1MN18BA0196	CONNECTOR 18P	

**Note:**

See Replacement note for Connector FP4.

## 6 DIFFERENCES BETWEEN NV-GS60GC and NV-GS27GC

### 6.1. REPLACEMENT NOTES

#### 6.1.1. General Notes

1. Definition of Parts supplier:

a. All parts are supplied from PSEC.

### 6.2. COMPARISON CHART

#### 6.2.1. MECHANICAL REPLACEMENT PARTS LIST

Ref. No.	Section No.	Pcs/ set	NV-GS27GC → NV-GS60GC		Part Name	Remarks
			Part No.	Part No.		
2	1	1	LSYK1699	LSYK2042	CASSETTE COVER UNIT	
12	1,5	1	LSXK0240	LSXK0241	EVF UNIT	RTL
17	5	1	LSJB8306	LSJB8305	EVF FLEXIBLE PRINTED CIRCUIT	
20	5	1	LSYK1532	LSYK1533	EVF CASE 1 UNIT,ABS RESIN	
33	3	1	LSYK1683	LSYK2142	LCD CASE A UNIT,ABS RESIN	
50	1	1	LSYK1687	LSYK1686	TOP UNIT	
103	7	1	LSPG2133	LSPG2371	PACKING CASE,PAPER	
104	7	1	LSPN0659	LSPN0782	PAD	
107	7	0 → 1	-----	LSPN0772	TOP PAD	
120	7	1	LSQT1007-A	LSQT1135-B	INSTRUCTION BOOK (CHINESE/TRADITIONAL)/ENGLISH/RUSSIAN/ARABIC)	
201	6	1	VXY1892Z1	LSVD0017	MAIN CHASSIS KIT	
534	6	1	VHD1757	VHD1861	SCREW,STEEL	

#### 6.2.2. ELECTRICAL REPLACEMENT PARTS LIST

Ref. No.	Pcs/ set	NV-GS27GC → NV-GS60GC		Part Name	Remarks
		Part No.	Part No.		
E10	1	LSEP8330P1	LSEP8411Q1	MAIN P.C.B.	E.S.D. RTL
E30	1	LSEP8331P1	LSEP8331R1	CAMERA P.C.B.	E.S.D. RTL
MAIN P.C.B.					
FP4	1	K1MN18BA0088	K1MN18BA0196	CONNECTOR 18P	

**Note:**

See Replacement note for Connector FP4.



# 7 DIFFERENCES BETWEEN NV-GS60EE and NV-GS27EE

## 7.1. REPLACEMENT NOTES

### 7.1.1. General Notes

1. Definition of Parts supplier:

a. All parts are supplied from PSEC.

## 7.2. COMPARISON CHART

### 7.2.1. MECHANICAL REPLACEMENT PARTS LIST

Ref. No.	Section No.	Pcs/ set	NV-GS27EE → NV-GS60EE		Part Name	Remarks
			Part No.	Part No.		
2	1	1	LSYK1699	LSYK2042	CASSETTE COVER UNIT	
12	1,5	1	LSXK0240	LSXK0241	EVF UNIT	RTL
17	5	1	LSJB8306	LSJB8305	EVF FLEXIBLE PRINTED CIRCUIT	
20	5	1	LSYK1532	LSYK1533	EVF CASE 1 UNIT,ABS RESIN	
33	3	1	LSYK1683	LSYK2142	LCD CASE A UNIT,ABS RESIN	
50	1	1	LSYK1687	LSYK1686	TOP UNIT	
103	7	1	LSPG2133	LSPG2371	PACKING CASE,PAPER	
104	7	1	LSPN0659	LSPN0782	PAD	
107	7	0→1	-----	LSPN0772	TOP PAD	
120	7	1	LSQT1028-B	LSQT1173-A	INSTRUCTION BOOK (RUSSIAN/UKRAI- NIAN)	
201	6	1	VXY1892Z1	LSVD0017	MAIN CHASSIS KIT	
534	6	1	VHD1757	VHD1861	SCREW,STEEL	

### 7.2.2. ELECTRICAL REPLACEMENT PARTS LIST

Ref. No.	Pcs/ set	NV-GS27EE → NV-GS60EE		Part Name	Remarks
		Part No.	Part No.		
E10	1	LSEP8330P1	LSEP8411Q1	MAIN P.C.B.	E.S.D. RTL
E30	1	LSEP8331P1	LSEP8331R1	CAMERA P.C.B.	E.S.D. RTL
MAIN P.C.B.					
FP4	1	K1MN18BA0088	K1MN18BA0196	CONNECTOR 18P	

**Note:**

See Replacement note for Connector FP4.

## 8 DIFFERENCES BETWEEN NV-GS60GN and NV-GS27GN

### 8.1. REPLACEMENT NOTES

#### 8.1.1. General Notes

1. Definition of Parts supplier:

a. All parts are supplied from PSEC.

### 8.2. COMPARISON CHART

#### 8.2.1. MECHANICAL REPLACEMENT PARTS LIST

Ref. No.	Section No.	Pcs/ set	NV-GS27GN → NV-GS60GN		Part Name	Remarks
			Part No.	Part No.		
2	1	1	LSYK1699	LSYK2042	CASSETTE COVER UNIT	
12	1,5	1	LSXK0240	LSXK0241	EVF UNIT	RTL
17	5	1	LSJB8306	LSJB8305	EVF FLEXIBLE PRINTED CIRCUIT	
20	5	1	LSYK1532	LSYK1533	EVF CASE 1 UNIT,ABS RESIN	
33	3	1	LSYK1683	LSYK2142	LCD CASE A UNIT,ABS RESIN	
50	1	1	LSYK1687	LSYK1686	TOP UNIT	
103	7	1	LSPG2133	LSPG2371	PACKING CASE,PAPER	
104	7	1	LSPN0659	LSPN0782	PAD	
107	7	0 → 1	-----	LSPN0772	TOP PAD	
120	7	1	LSQT1008-A	LSQT1174-A	INSTRUCTION BOOK (ENGLISH)	
201	6	1	VXY1892Z1	LSVD0017	MAIN CHASSIS KIT	
534	6	1	VHD1757	VHD1861	SCREW,STEEL	

#### 8.2.2. ELECTRICAL REPLACEMENT PARTS LIST

Ref. No.	Pcs/ set	NV-GS27GN → NV-GS60GN		Part Name	Remarks
		Part No.	Part No.		
E10	1	LSEP8330P1	LSEP8411Q1	MAIN P.C.B.	E.S.D. RTL
E30	1	LSEP8331P1	LSEP8331R1	CAMERA P.C.B.	E.S.D. RTL
MAIN P.C.B.					
FP4	1	K1MN18BA0088	K1MN18BA0196	CONNECTOR 18P	

**Note:**

See Replacement note for Connector FP4.

# 9 DIFFERENCES BETWEEN NV-GS68GK and NV-GS26GK

## 9.1. REPLACEMENT NOTES

### 9.1.1. General Notes

1. Definition of Parts supplier:

a. All parts are supplied from PSEC.

## 9.2. COMPARISON CHART

### 9.2.1. MECHANICAL REPLACEMENT PARTS LIST

Ref. No.	Section No.	Pcs/ set	NV-GS26GK → NV-GS68GK		Part Name	Remarks
			Part No.	Part No.		
2	1	1	LSYK1699	LSYK2042	CASSETTE COVER UNIT	
12	1,5	1	LSXK0240	LSXK0241	EVF UNIT	RTL
17	5	1	LSJB8306	LSJB8305	EVF FLEXIBLE PRINTED CIRCUIT	
20	5	1	LSYK1532	LSYK1533	EVF CASE 1 UNIT,ABS RESIN	
33	3	1	LSYK1719	LSYK2143	LCD CASE A UNIT,ABS RESIN	
50	1	1	LSYK1687	LSYK1686	TOP UNIT	
103	7	1	LSPG2134	LSPG2372	PACKING CASE,PAPER	
104	7	1	LSPN0659	LSPN0782	PAD	
107	7	0→1	-----	LSPN0772	TOP PAD	
120	7	1	LSQT1009-B	LSQT1175-A	INSTRUCTION BOOK (CHINESE(SIMPLIFIED))	
201	6	1	VXY1892Z1	LSVD0017	MAIN CHASSIS KIT	
534	6	1	VHD1757	VHD1861	SCREW,STEEL	

### 9.2.2. ELECTRICAL REPLACEMENT PARTS LIST

Ref. No.	Pcs/ set	NV-GS26GK → NV-GS68GK		Part Name	Remarks
		Part No.	Part No.		
E10	1	LSEP8330P1	LSEP8411Q1	MAIN P.C.B.	E.S.D. RTL
E30	1	LSEP8331P1	LSEP8331R1	CAMERA P.C.B.	E.S.D. RTL
MAIN P.C.B.					
FP4	1	K1MN18BA0088	K1MN18BA0196	CONNECTOR 18P	

**Note:**

See Replacement note for Connector FP4.

# 10 Service Fixture & Tools

## 10.1. Service Position

### 10.1.1. Extension Cables for Service Position

Using the following Extension Cables, place the unit as shown for check and service.

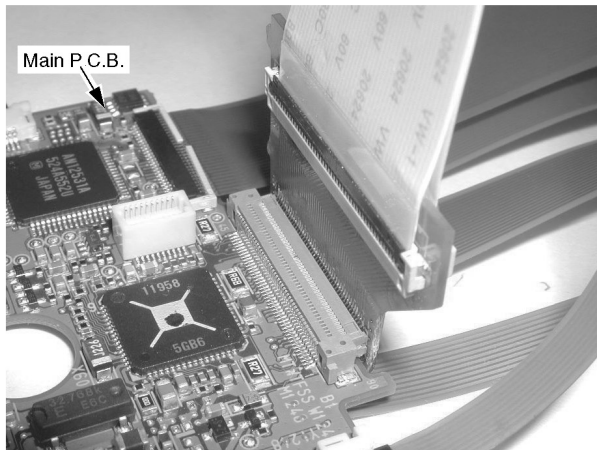
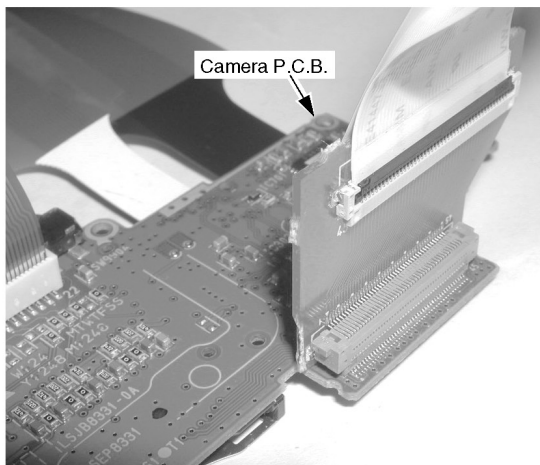
NO.	PART NUMBER	PART NAME	CONNECTION
①	LSUA0016	10Pin Extension Cable	FP7001 on Main P.C.B. ~ Zoom Switch F.P.C. of Cassette Cover Unit
②	VUVS0012	22Pin Extension Cable	FP9902 on Camera P.C.B. ~ EVF F.P.C. on EVF Unit
③	LSUA0060	90Pin Extension Cable	B1 on Main P.C.B. ~ B9901 on Camera P.C.B.
④	VUVS0015	28Pin Extension Cable	FP8 on Main P.C.B. ~ LCD F.P.C. on LCD Unit
⑤	LSUA0017	18Pin Extension Cable	FP4 on Main P.C.B. ~ Capstan F.P.C. on Mechanism Chassis Ass'y
⑥	LSUA0017	18Pin Extension Cable	FP2 on Main P.C.B. ~ Sub Mechanism F.P.C. on Mechanism Chassis Ass'y
⑦	LSUA0016	10Pin Extension Cable	FP3 on Main P.C.B. ~ Cylinder F.P.C. on Mechanism Chassis Ass'y
⑧	LSUA0019	8Pin Extension Cable	FP1 on Main P.C.B. ~ Mechanism F.P.C. on Mechanism Chassis Ass'y
⑨	LSUA0019	8Pin Extension Cable	FP5 on Main P.C.B. ~ Head Amp F.P.C. on Mechanism Chassis Ass'y

#### Note:

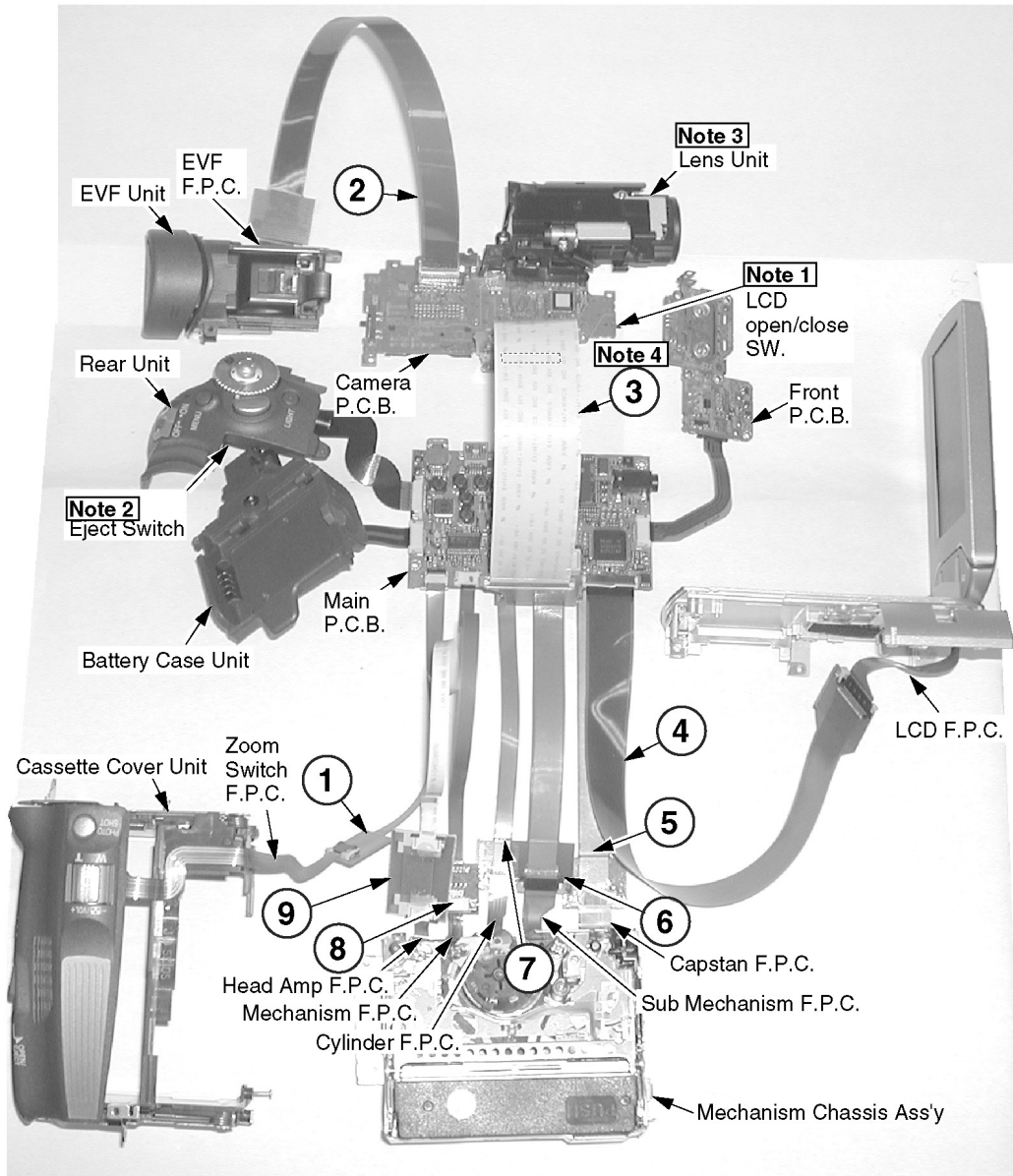
1. The LCD open/close Switch is for changing between LCD Display and EVF Display. When turning on EVF Display, place some paper or tape, etc. on LCD open/close Switch so that this Switch stays ON.
2. To eject the Mechanism, hold down the Eject Switch on the Rear Unit for a short time.
3. Use a grounded ESD wrist strap while disassembling the Lens portion.
4. Connect the F.P.C.s to the connectors, verifying the direction of F.P.C.s.

The Main P.C.B. or a Chip part will be especially damaged if the 90 Pin Extension Cable (LSUA0060) is misconnected.

#### Connections of 90 Pin Extension Cable (LSUA0060)



5. Use extreme care when plugging or unplugging in connectors.



**Non ZIF connectors are on the Main P.C.B. and the Camera P.C.B. as shown in gray.**

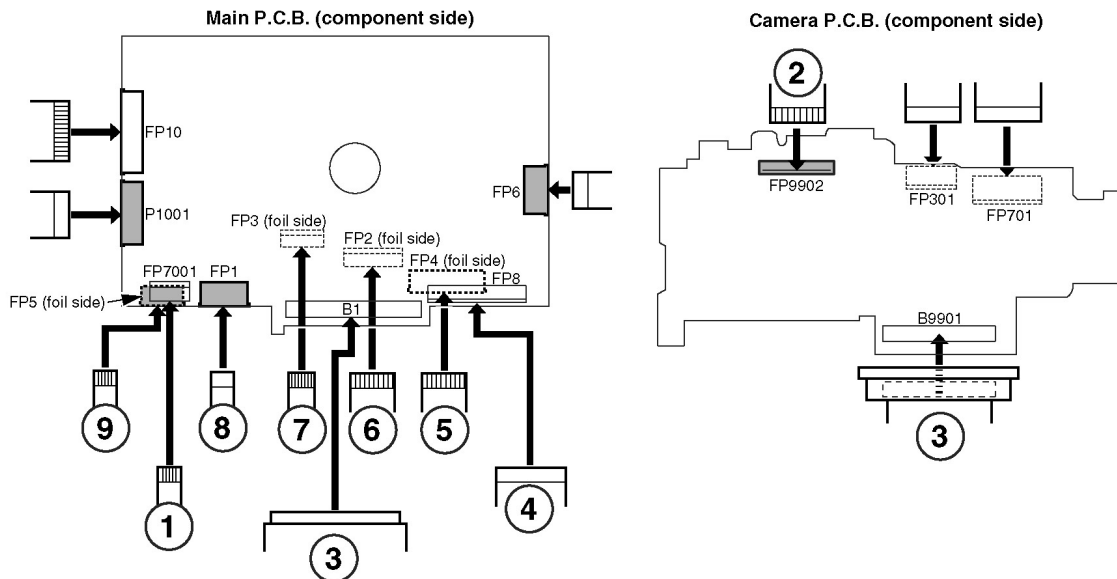


Fig. 3

## 10.2. Removal/Installation of F.P.C. From Non ZIF (Zero Insertion Force) Connector

Removal/Installation of F.P.C. from the Non ZIF (Zero Insertion Force) connector:

1. The Non ZIF connectors and the ZIF connectors are used on the unit. And there are 2 types (Type A, Type B) of Non ZIF connectors.
2. To remove the F.P.C. from the Non ZIF connector, use the Plier for Non ZIF Connector (LSVQ0028) to pull out the F.P.C. as shown. The same Plier for Non ZIF Connector (LSVQ0028) should also be used to install the F.P.C. to the Non ZIF Connector.

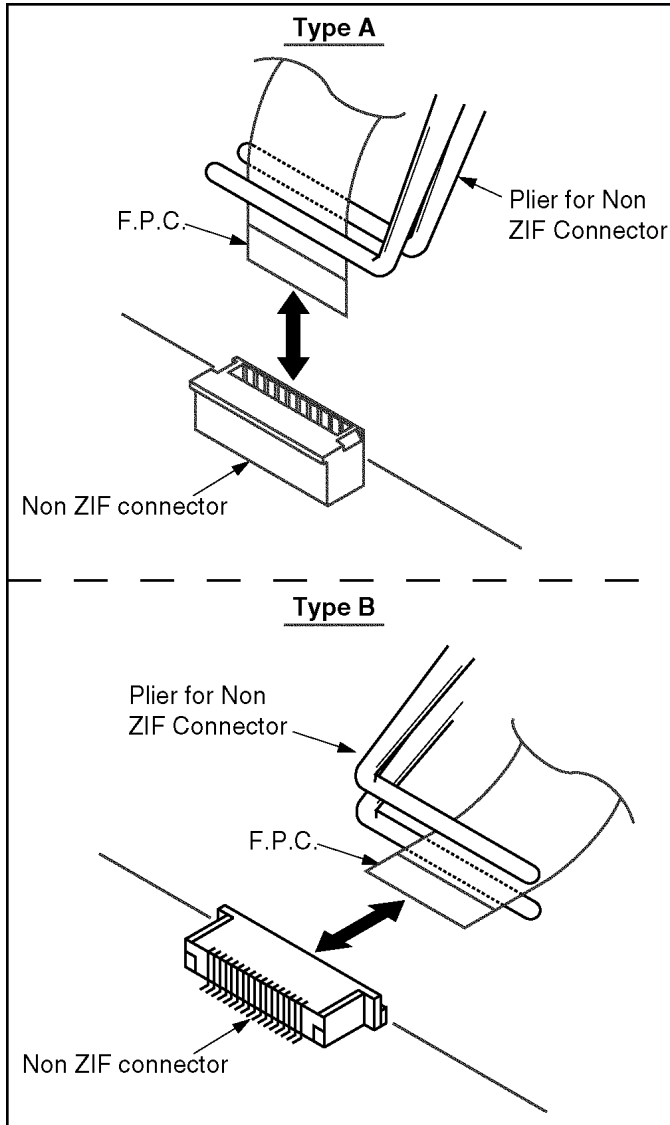


Fig. 4-1

3. Connect the F.P.C.s to the Non ZIF connectors, verifying the direction of F.P.C as shown.

Non ZIF connectors are on the Main P.C.B. and the Camera P.C.B. as shown in gray.

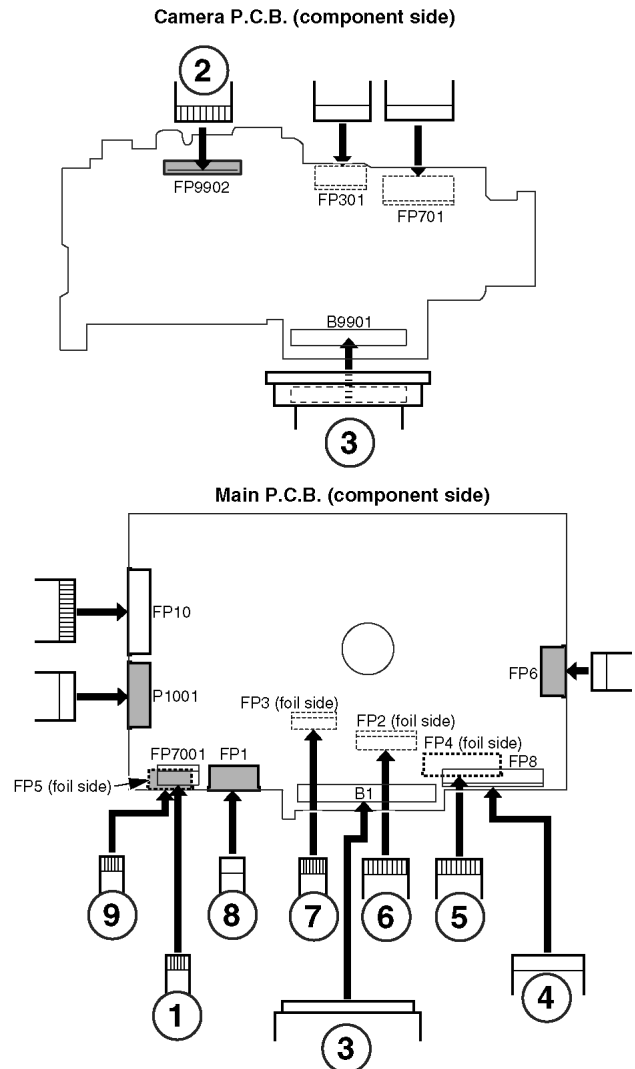
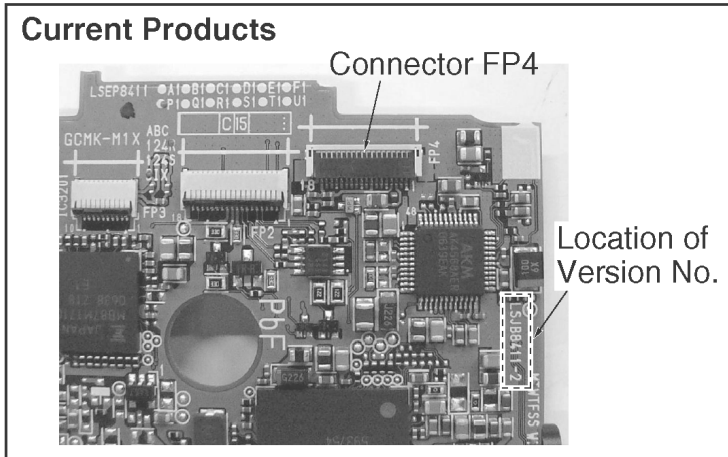


Fig. 4-2

### 10.3. Replacement Note for Connector FP4

#### Replacement Note for Connector FP4

The Main P.C.B. will be changed from LSJB8411-1 to LSJB8411-2 on a running change basis. Connector FP4 on the foil side of these P.C.B.s is not compatible, so be sure to order the correct part according to the replacement parts list when servicing.

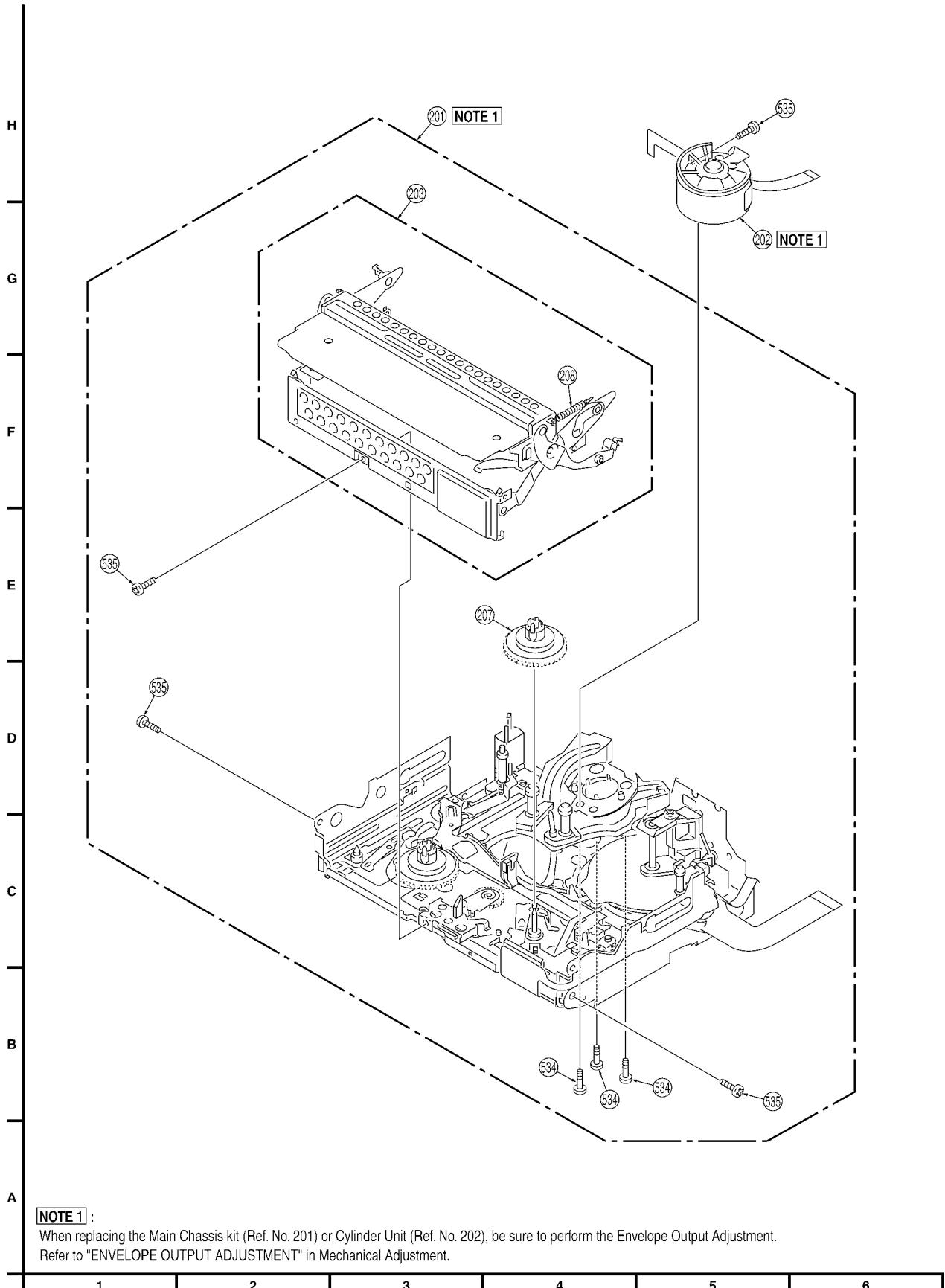


	Early Products	Current Products
Ref No.	LSJB8411-1	LSJB8411-2
FP4	K1MN18BA0088	K1MN18BA0196

# 11 Exploded Views

## 11.1. MECHANISM SECTION

### ⑥ MECHANISM SECTION






# 11.2. PACKING PARTS AND ACCESSORIES SECTION

## 7 PACKING PARTS AND ACCESSORIES SECTION

### IMPORTANT SAFTY NOTICE:

COMPONENTS IDENTIFIED BY THE SIGN  HAVE SPECIAL CHARACTERISTICS IMPORTANT FOR SAFETY. WHEN REPLACING ANY OF THESE COMPONENTS, USE ONLY THE SPECIFIED PARTS.

