

Panasonic®

ORDER NO. DSC1407014CE

B26

Service Manual

Digital Camera

Model No. **DMC-FZ1000P**
DMC-FZ1000PC
DMC-FZ1000PU
DMC-FZ1000EB
DMC-FZ1000EE
DMC-FZ1000EF
DMC-FZ1000EG
DMC-FZ1000EP
DMC-FZ1000GN

Colour

(K).....Black Type

LUMIX



AVCHD™
Progressive



⚠ WARNING

This service information is designed for experienced repair technicians only and is not designed for use by the general public. It does not contain warnings or cautions to advise non-technical individuals of potential dangers in attempting to service a product. Products powered by electricity should be serviced or repaired only by experienced professional technicians. Any attempt to service or repair the product or products dealt with in this service information by anyone else could result in serious injury or death.

© Panasonic Corporation 2014 Unauthorized copying and distribution is a violation of law.

Model No. :DMC-FZ1000 / No.DSC1407014CE

Diagram



Find Parts

Cart



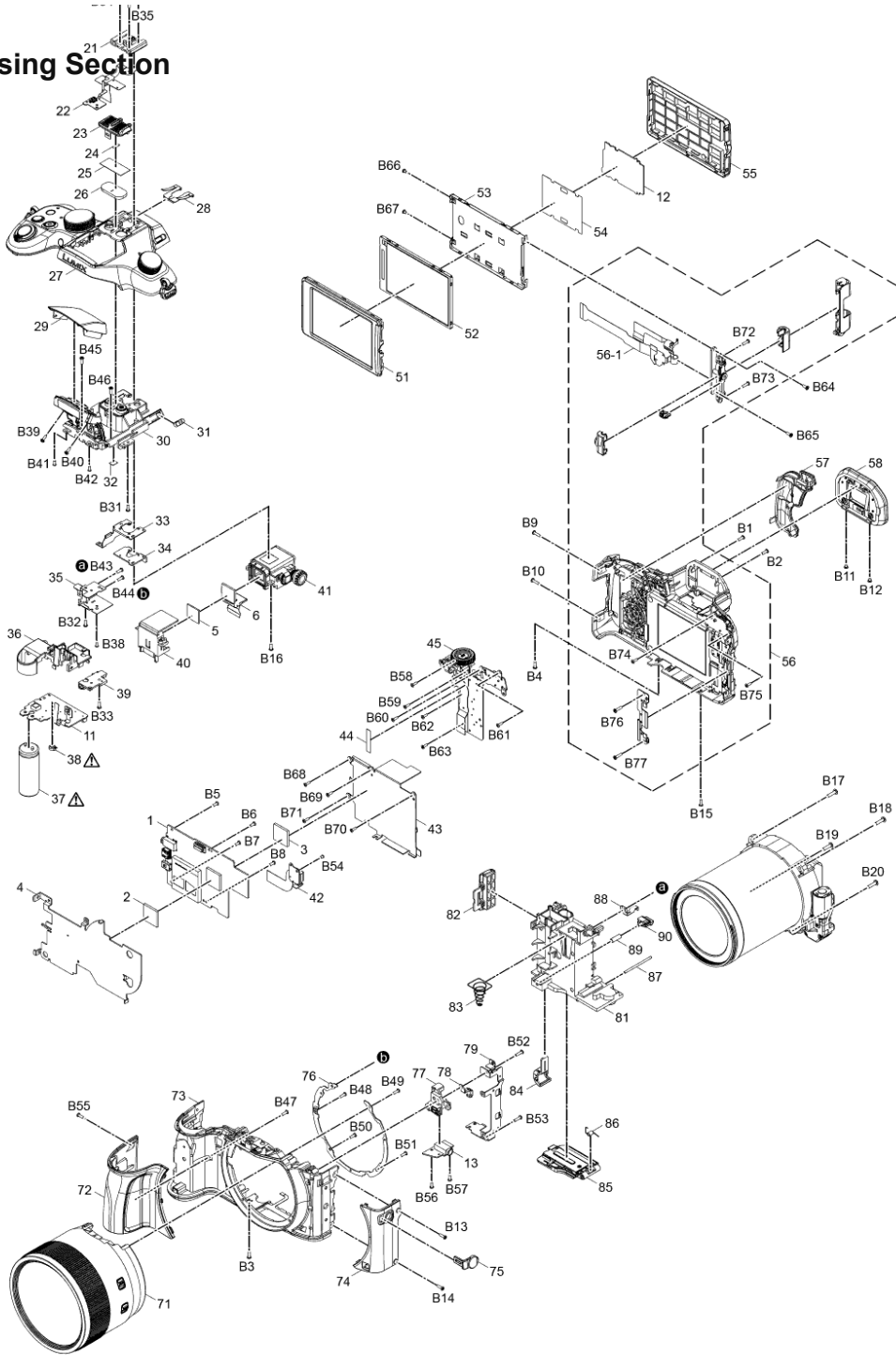
Full screen PartsList



Exploded

View : Frame

and Casing Section



Part information:


PartsList Full screen PartsList Close

Change Ref No.	Part No.	Part Name	Q'ty	Remarks
PartOrder	1	SEP0093AA MAIN P.C.B. 1		(RTL) E.S.D. P,PC,PU,EE,GN

Model No. :DMC-FZ1000 / No.DSC1407014CE

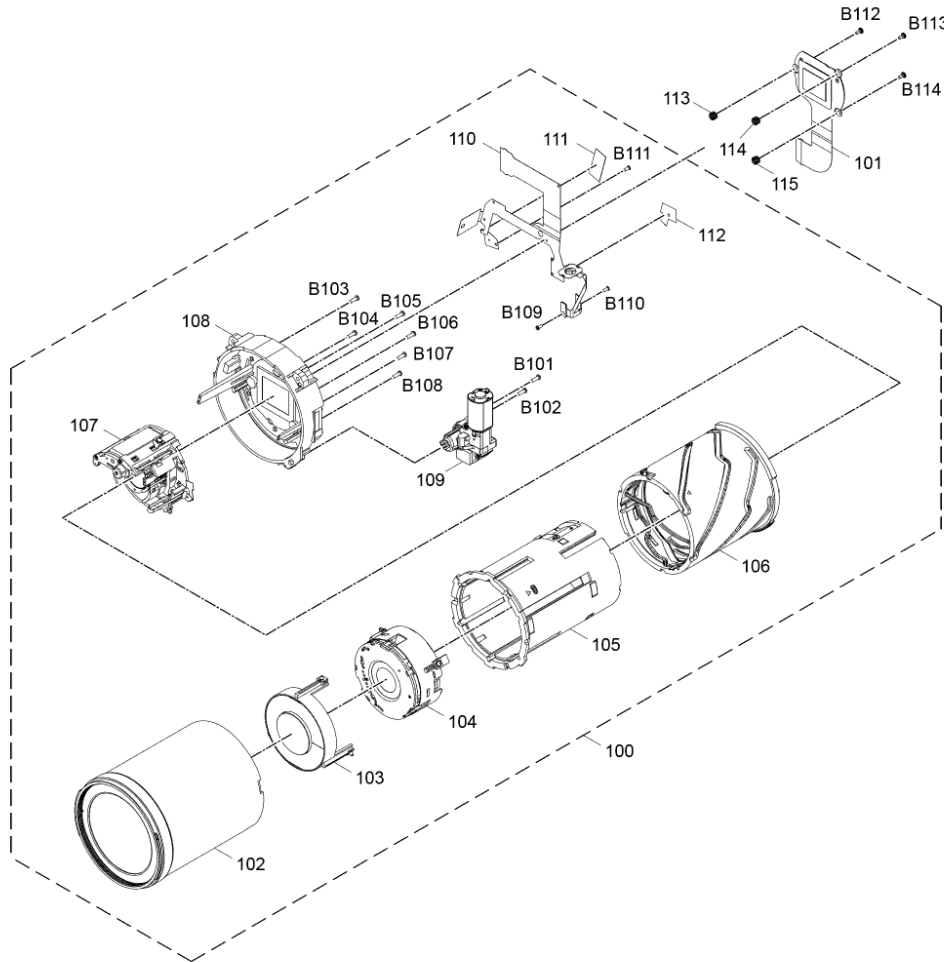
Model No. :DMC-FZ1000 / No.DSC1407014CE

Diagram  [Find Parts](#) [Cart](#)     [Full screen PartsList](#)

 **Exploded View :**

Camera Lens Section

!



Part information:

[PartsList](#) [Full screen PartsList](#) [Close](#)

	Change Ref No.	Part No.	Part Name	Q'ty	Remarks
PartOrder		100	SXW0016 LENS UNIT (W/O MOS)	1	

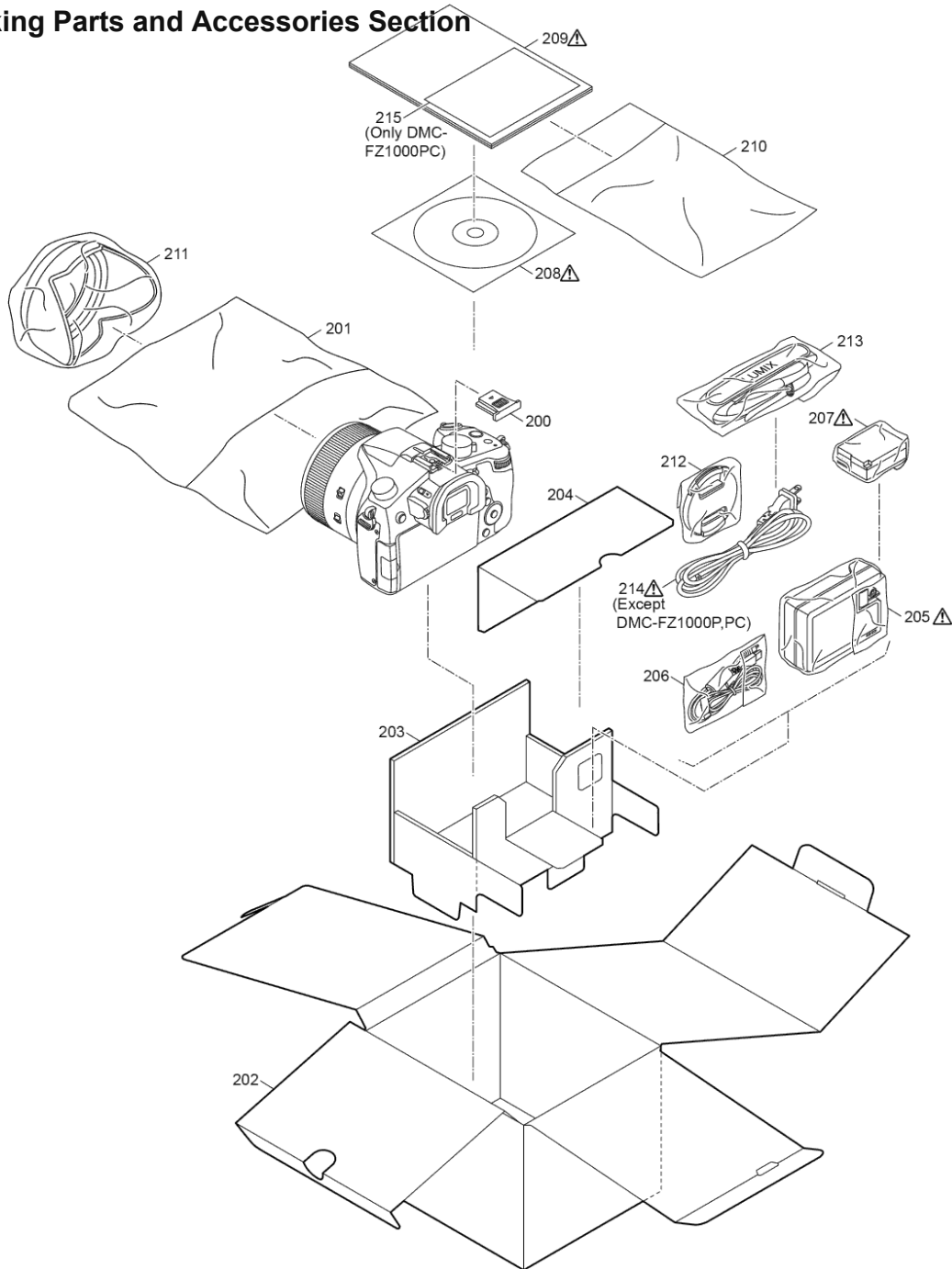
Model No. :DMC-FZ1000 / No.DSC1407014CE

Model No. :DMC-FZ1000 / No.DSC1407014CE

Diagram Find Parts Full screen PartsList

Exploded View :

Packing Parts and Accessories Section



Part information:

PartsList Full screen PartsList Close

Change Ref No.	Part No.	Part Name	Q'ty	Remarks
	200	VYF3522 HOT SHOE COVER	1	[PAVCX]

Model No. :DMC-FZ1000 / No.DSC1407014CE

PartsOrder	Change	Ref.No.	Part No.	Part Name & Description	Quantity	Remarks
PartsOrder		C1001	F1J1C106A059	C.CAPACITOR CH 16V 10U	1	
PartsOrder		C1002	F1G1A104A012	C.CAPACITOR CH 10V 0.1U	1	
PartsOrder		C1003	F1H1A4750004	C.CAPACITOR CH 10V 4.7U	1	
PartsOrder		C1004	F1G0J1050007	C.CAPACITOR CH 6.3V 1U	1	
PartsOrder		C1005	F1H1A4750004	C.CAPACITOR CH 10V 4.7U	1	
PartsOrder		C1006	F1G0J1050007	C.CAPACITOR CH 6.3V 1U	1	
PartsOrder		C1007	F1G0J1050007	C.CAPACITOR CH 6.3V 1U	1	
PartsOrder		C1008	ECJ1VB1A105K	C.CAPACITOR CH 10V 1U	1	
PartsOrder		C1009	ECJ1VB1A105K	C.CAPACITOR CH 10V 1U	1	
PartsOrder		C1010	F1J1A106A043	C.CAPACITOR CH 10V 10U	1	
PartsOrder		C1011	F1H1A4750004	C.CAPACITOR CH 10V 4.7U	1	
PartsOrder		C1012	F1H1A4750004	C.CAPACITOR CH 10V 4.7U	1	
PartsOrder		C1013	F1G0J1050007	C.CAPACITOR CH 6.3V 1U	1	
PartsOrder		C1014	F1H1A4750004	C.CAPACITOR CH 10V 4.7U	1	
PartsOrder		C1020	F1J1A106A043	C.CAPACITOR CH 10V 10U	1	
PartsOrder		C1030	F1J1A106A043	C.CAPACITOR CH 10V 10U	1	
PartsOrder		C1040	F1J0J2260004	C.CAPACITOR CH 6.3V 22U	1	
PartsOrder		C1050	F1J1A106A043	C.CAPACITOR CH 10V 10U	1	
PartsOrder		C1061	ECJ1VB1A105K	C.CAPACITOR CH 10V 1U	1	
PartsOrder		C1062	ECJ1VB1A105K	C.CAPACITOR CH 10V 1U	1	
PartsOrder		C1063	F1J1A106A043	C.CAPACITOR CH 10V 10U	1	
PartsOrder		C1065	F1G1C104A077	C.CAPACITOR CH 16V 0.1U	1	
PartsOrder		C1066	F1G0J1050007	C.CAPACITOR CH 6.3V 1U	1	
PartsOrder		C1067	F1G1H392A571	C.CAPACITOR CH 50V 3900P	1	
PartsOrder		C1068	F1J1C106A059	C.CAPACITOR CH 16V 10U	1	
PartsOrder		C1069	F1G0J1050007	C.CAPACITOR CH 6.3V 1U	1	
PartsOrder		C1070	F1J1V1050001	C.CAPACITOR CH 35V 1U	1	
PartsOrder		C1080	ECJ0EC1H221J	C.CAPACITOR CH 50V 220P	1	
PartsOrder		C1081	F1J1C106A059	C.CAPACITOR CH 16V 10U	1	
PartsOrder		C1082	F1J1C106A059	C.CAPACITOR CH 16V 10U	1	
PartsOrder		C1083	ECJ1VB1A105K	C.CAPACITOR CH 10V 1U	1	
PartsOrder		C1084	F1J1C106A059	C.CAPACITOR CH 16V 10U	1	
PartsOrder		C1085	F1G1A473A012	C.CAPACITOR CH 10V 0.047U	1	
PartsOrder		C1090	F1J1C106A059	C.CAPACITOR CH 16V 10U	1	
PartsOrder		C1091	F1J1C106A059	C.CAPACITOR CH 16V 10U	1	
PartsOrder		C1092	F1J1C106A059	C.CAPACITOR CH 16V 10U	1	
PartsOrder		C1093	F1G1H331A541	C.CAPACITOR CH 50V 330P	1	
PartsOrder		C1094	F1G0J1050007	C.CAPACITOR CH 6.3V 1U	1	
PartsOrder		C1120	F1H1A225A051	C.CAPACITOR CH 10V 2.2U	1	
PartsOrder		C1121	ECJ1VB1A105K	C.CAPACITOR CH 10V 1U	1	
PartsOrder		C1140	ECJ1VB1A105K	C.CAPACITOR CH 10V 1U	1	
PartsOrder		C1141	ECJ1VB1A105K	C.CAPACITOR CH 10V 1U	1	
PartsOrder		C1220	ECJ1VB1A105K	C.CAPACITOR CH 10V 1U	1	
PartsOrder		C1221	ECJ1VB1A105K	C.CAPACITOR CH 10V 1U	1	
PartsOrder		C1240	ECJ1VB1A105K	C.CAPACITOR CH 10V 1U	1	
PartsOrder		C1241	ECJ1VB1A105K	C.CAPACITOR CH 10V 1U	1	
PartsOrder		C1320	ECJ1VB1A105K	C.CAPACITOR CH 10V 1U	1	
PartsOrder		C1321	ECJ1VB1A105K	C.CAPACITOR CH 10V 1U	1	
PartsOrder		C1420	F1H1A225A051	C.CAPACITOR CH 10V 2.2U	1	

PartsOrder	Change	Ref No.	Part No.	Part Name & Description	Quantity	Remarks
PartsOrder		C1900	F1J1A106A043	C.CAPACITOR CH 10V 10U	1	
PartsOrder		C1910	F1J0J2260004	C.CAPACITOR CH 6.3V 22U	1	
PartsOrder		C1911	F1J0J2260004	C.CAPACITOR CH 6.3V 22U	1	
PartsOrder		C1913	F1G0J1050007	C.CAPACITOR CH 6.3V 1U	1	
PartsOrder		C1914	F1G1H392A571	C.CAPACITOR CH 50V 3900P	1	
PartsOrder		C1915	F1G1C104A077	C.CAPACITOR CH 16V 0.1U	1	
PartsOrder		C1916	F1J1C106A059	C.CAPACITOR CH 16V 10U	1	
PartsOrder		C2001	F1G1A104A012	C.CAPACITOR CH 10V 0.1U	1	
PartsOrder		C2002	F1G0J1050007	C.CAPACITOR CH 6.3V 1U	1	
PartsOrder		C2003	F1G0J1050007	C.CAPACITOR CH 6.3V 1U	1	
PartsOrder		C2004	ECJ1VB1A105K	C.CAPACITOR CH 10V 1U	1	
PartsOrder		C2007	F1J1A106A043	C.CAPACITOR CH 10V 10U	1	
PartsOrder		C2008	F1G1A104A012	C.CAPACITOR CH 10V 0.1U	1	
PartsOrder		C4101	F1G0J225A008	C.CAPACITOR CH 6.3V 2.2U	1	[PAVCX]
PartsOrder		C4102	F1H1A4750004	C.CAPACITOR CH 10V 4.7U	1	[PAVCX]
PartsOrder		C4103	F1H1A4750004	C.CAPACITOR CH 10V 4.7U	1	[PAVCX]
PartsOrder		C4104	F1G0J225A008	C.CAPACITOR CH 6.3V 2.2U	1	[PAVCX]
PartsOrder		C4105	F1H1A4750004	C.CAPACITOR CH 10V 4.7U	1	[PAVCX]
PartsOrder		C4106	F1H1H105B027	C.CAPACITOR CH 50V 1U	1	[PAVCX]
PartsOrder		C4107	F1H1A4750004	C.CAPACITOR CH 10V 4.7U	1	[PAVCX]
PartsOrder		C4108	F1H1H105B027	C.CAPACITOR CH 50V 1U	1	[PAVCX]
PartsOrder		C4109	F1H1H105B027	C.CAPACITOR CH 50V 1U	1	[PAVCX]
PartsOrder		C4110	F1H1H105B027	C.CAPACITOR CH 50V 1U	1	[PAVCX]
PartsOrder		C4111	F1H1H105B027	C.CAPACITOR CH 50V 1U	1	[PAVCX]
PartsOrder		C4112	F1H1A4750004	C.CAPACITOR CH 10V 4.7U	1	[PAVCX]
PartsOrder		C4113	F1G0J225A008	C.CAPACITOR CH 6.3V 2.2U	1	[PAVCX]
PartsOrder		C4114	F1G0J225A008	C.CAPACITOR CH 6.3V 2.2U	1	[PAVCX]
PartsOrder		C4115	F1J1C475A170	C.CAPACITOR CH 16V 4.7U	1	[PAVCX]
PartsOrder		C4116	F1G0J1050007	C.CAPACITOR CH 6.3V 1U	1	[PAVCX]
PartsOrder		C4117	F1G0J1050007	C.CAPACITOR CH 6.3V 1U	1	[PAVCX]
PartsOrder		C4118	F1G0J1050007	C.CAPACITOR CH 6.3V 1U	1	[PAVCX]
PartsOrder		C5005	F1G0J1050007	C.CAPACITOR CH 6.3V 1U	1	
PartsOrder		C5006	F1G0J1050007	C.CAPACITOR CH 6.3V 1U	1	
PartsOrder		C5007	F1G0J1050007	C.CAPACITOR CH 6.3V 1U	1	
PartsOrder		C5009	F1H0J4750004	C.CAPACITOR CH 6.3V 4.7U	1	
PartsOrder		C5010	F1G1A104A012	C.CAPACITOR CH 10V 0.1U	1	
PartsOrder		C5012	F1G0J1050007	C.CAPACITOR CH 6.3V 1U	1	
PartsOrder		C5013	F1G0J1050007	C.CAPACITOR CH 6.3V 1U	1	
PartsOrder		C5015	F1G0J1050007	C.CAPACITOR CH 6.3V 1U	1	
PartsOrder		C5016	F1G0J1050007	C.CAPACITOR CH 6.3V 1U	1	
PartsOrder		C5020	F1G1H470A557	C.CAPACITOR CH 50V 47P	1	
PartsOrder		C5021	F1G1H470A557	C.CAPACITOR CH 50V 47P	1	
PartsOrder		C5111	ECJ0EB1A473K	C.CAPACITOR CH 10V 0.047U	1	
PartsOrder		C5117	ECJ0EB1A473K	C.CAPACITOR CH 10V 0.047U	1	
PartsOrder		C5122	F1G1H4710004	C.CAPACITOR CH 50V 470P	1	
PartsOrder		C5123	F1G1H4710004	C.CAPACITOR CH 50V 470P	1	
PartsOrder		C5302	ECJ1VB1A105K	C.CAPACITOR CH 10V 1U	1	
PartsOrder		C5304	ECJ1VB1A105K	C.CAPACITOR CH 10V 1U	1	
PartsOrder		C5308	F1J0J2260004	C.CAPACITOR CH 6.3V 22U	1	

PartsOrder	Change	Ref.No.	Part No.	Part Name & Description	Quantity	Remarks
PartsOrder		C5419	ECJ1VB1E104K	C.CAPACITOR CH 25V 0.1U	1	
PartsOrder		C5425	ECJ0EC1H101J	C.CAPACITOR CH 50V 100P	1	
PartsOrder		C6001	F1G1H9R0A723	C.CAPACITOR CH 50V 9P	1	
PartsOrder		C6004	F1G1A104A012	C.CAPACITOR CH 10V 0.1U	1	
PartsOrder		C6005	F1G1C1030008	C.CAPACITOR CH 16V 0.01U	1	
PartsOrder		C6006	F1G1C1030008	C.CAPACITOR CH 16V 0.01U	1	
PartsOrder		C6007	F1G1A104A012	C.CAPACITOR CH 10V 0.1U	1	
PartsOrder		C6008	F1G1A104A012	C.CAPACITOR CH 10V 0.1U	1	
PartsOrder		C6009	F1G1A104A012	C.CAPACITOR CH 10V 0.1U	1	
PartsOrder		C6010	F1G1A104A012	C.CAPACITOR CH 10V 0.1U	1	
PartsOrder		C6011	F1G1A104A012	C.CAPACITOR CH 10V 0.1U	1	
PartsOrder		C6012	F1G1A104A012	C.CAPACITOR CH 10V 0.1U	1	
PartsOrder		C6013	F1G1A104A012	C.CAPACITOR CH 10V 0.1U	1	
PartsOrder		C6014	F1G1A104A012	C.CAPACITOR CH 10V 0.1U	1	
PartsOrder		C6015	F1G1H1020008	C.CAPACITOR CH 50V 1000P	1	
PartsOrder		C6016	F1G1H1020008	C.CAPACITOR CH 50V 1000P	1	
PartsOrder		C6017	F1G1H1020008	C.CAPACITOR CH 50V 1000P	1	
PartsOrder		C6018	F1G1H1020008	C.CAPACITOR CH 50V 1000P	1	
PartsOrder		C6019	F1G1H1020008	C.CAPACITOR CH 50V 1000P	1	
PartsOrder		C6020	F1G1H1020008	C.CAPACITOR CH 50V 1000P	1	
PartsOrder		C6021	F1G1H1020008	C.CAPACITOR CH 50V 1000P	1	
PartsOrder		C6022	F1G1H1020008	C.CAPACITOR CH 50V 1000P	1	
PartsOrder		C6023	ECJ2FB0J106M	C.CAPACITOR CH 6.3V 10U	1	
PartsOrder		C6024	F1G1A104A012	C.CAPACITOR CH 10V 0.1U	1	
PartsOrder		C6025	F1G1C1030008	C.CAPACITOR CH 16V 0.01U	1	
PartsOrder		C6026	F1G1C1030008	C.CAPACITOR CH 16V 0.01U	1	
PartsOrder		C6027	F1G1C1030008	C.CAPACITOR CH 16V 0.01U	1	
PartsOrder		C6028	F1G1C1030008	C.CAPACITOR CH 16V 0.01U	1	
PartsOrder		C6029	F3G0J1070004	E.CAPACITOR CH 6.3V 100U	1	
PartsOrder		C6030	ECJ2FB0J106M	C.CAPACITOR CH 6.3V 10U	1	
PartsOrder		C6031	F1G1A104A012	C.CAPACITOR CH 10V 0.1U	1	
PartsOrder		C6032	F1G1C1030008	C.CAPACITOR CH 16V 0.01U	1	
PartsOrder		C6033	ECJ2FB0J106M	C.CAPACITOR CH 6.3V 10U	1	
PartsOrder		C6034	F1G1A104A012	C.CAPACITOR CH 10V 0.1U	1	
PartsOrder		C6035	F1G1C1030008	C.CAPACITOR CH 16V 0.01U	1	
PartsOrder		C6036	ECJ2FB0J106M	C.CAPACITOR CH 6.3V 10U	1	
PartsOrder		C6037	F1G1A104A012	C.CAPACITOR CH 10V 0.1U	1	
PartsOrder		C6038	F1G1C1030008	C.CAPACITOR CH 16V 0.01U	1	
PartsOrder		C6039	F1G1C1030008	C.CAPACITOR CH 16V 0.01U	1	
PartsOrder		C6040	F1G1A104A012	C.CAPACITOR CH 10V 0.1U	1	
PartsOrder		C6041	F1G1C1030008	C.CAPACITOR CH 16V 0.01U	1	
PartsOrder		C6042	F1G1C1030008	C.CAPACITOR CH 16V 0.01U	1	
PartsOrder		C6044	F1G1A104A012	C.CAPACITOR CH 10V 0.1U	1	
PartsOrder		C6045	F1G1C1030008	C.CAPACITOR CH 16V 0.01U	1	
PartsOrder		C6046	ECJ2FB0J106M	C.CAPACITOR CH 6.3V 10U	1	
PartsOrder		C6047	F1G1A104A012	C.CAPACITOR CH 10V 0.1U	1	
PartsOrder		C6048	F1G1C1030008	C.CAPACITOR CH 16V 0.01U	1	
PartsOrder		C6049	F1G1A104A012	C.CAPACITOR CH 10V 0.1U	1	
PartsOrder		C6050	F1G1C1030008	C.CAPACITOR CH 16V 0.01U	1	

PartsOrder	Change	Ref.No.	Part No.	Part Name & Description	Quantity	Remarks
PartsOrder		C6051	F1G1A104A012	C.CAPACITOR CH 10V 0.1U	1	
PartsOrder		C6052	F1G1C1030008	C.CAPACITOR CH 16V 0.01U	1	
PartsOrder		C6053	F1G1C1030008	C.CAPACITOR CH 16V 0.01U	1	
PartsOrder		C6054	F1G1C1030008	C.CAPACITOR CH 16V 0.01U	1	
PartsOrder		C6055	F1G1A104A012	C.CAPACITOR CH 10V 0.1U	1	
PartsOrder		C6056	F1G1C1030008	C.CAPACITOR CH 16V 0.01U	1	
PartsOrder		C6057	F1G1H100A723	C.CAPACITOR CH 50V 10P	1	
PartsOrder		C6060	F1G1C1030008	C.CAPACITOR CH 16V 0.01U	1	
PartsOrder		C6061	F1G0J1050007	C.CAPACITOR CH 6.3V 1U	1	
PartsOrder		C6062	F1G1C1030008	C.CAPACITOR CH 16V 0.01U	1	
PartsOrder		C6201	F1G1A104A012	C.CAPACITOR CH 10V 0.1U	1	
PartsOrder		C6301	F1G1A104A012	C.CAPACITOR CH 10V 0.1U	1	
PartsOrder		C6302	F1G1A104A012	C.CAPACITOR CH 10V 0.1U	1	
PartsOrder		C6303	F1G1A104A012	C.CAPACITOR CH 10V 0.1U	1	
PartsOrder		C6304	F1G1H151A722	C.CAPACITOR CH 50V 150P	1	
PartsOrder		C6501	F1J0J2260004	C.CAPACITOR CH 6.3V 22U	1	
PartsOrder		C6507	F1J1A106A043	C.CAPACITOR CH 10V 10U	1	
PartsOrder		C6509	F1H0J4750004	C.CAPACITOR CH 6.3V 4.7U	1	
PartsOrder		C6510	F1G1C1030008	C.CAPACITOR CH 16V 0.01U	1	
PartsOrder		C6512	ECJ1VB1A105K	C.CAPACITOR CH 10V 1U	1	
PartsOrder		C6513	ECJ1VB1A105K	C.CAPACITOR CH 10V 1U	1	
PartsOrder		C6601	F1G0J4740003	C.CAPACITOR CH 6.3V 0.47U	1	
PartsOrder		C6602	F1G0J4740003	C.CAPACITOR CH 6.3V 0.47U	1	
PartsOrder		C6603	F1G0J4740003	C.CAPACITOR CH 6.3V 0.47U	1	
PartsOrder		C6604	F1G0J1050007	C.CAPACITOR CH 6.3V 1U	1	
PartsOrder		C6605	F1G1A104A012	C.CAPACITOR CH 10V 0.1U	1	
PartsOrder		C6606	F1G0J4740003	C.CAPACITOR CH 6.3V 0.47U	1	
PartsOrder		C6607	F1G0J4740003	C.CAPACITOR CH 6.3V 0.47U	1	
PartsOrder		C6608	F1G0J1050007	C.CAPACITOR CH 6.3V 1U	1	
PartsOrder		C6609	F1G1A104A012	C.CAPACITOR CH 10V 0.1U	1	
PartsOrder		C6610	F1G0J4740003	C.CAPACITOR CH 6.3V 0.47U	1	
PartsOrder		C6611	F1G0J4740003	C.CAPACITOR CH 6.3V 0.47U	1	
PartsOrder		C6612	F1G1A104A012	C.CAPACITOR CH 10V 0.1U	1	
PartsOrder		C6613	F1G1A104A012	C.CAPACITOR CH 10V 0.1U	1	
PartsOrder		C6614	F1G1A104A012	C.CAPACITOR CH 10V 0.1U	1	
PartsOrder		C6615	F1G1A104A012	C.CAPACITOR CH 10V 0.1U	1	
PartsOrder		C7001	ECJ1VB1A105K	C.CAPACITOR CH 10V 1U	1	
PartsOrder		C7003	ECJ1VB1A105K	C.CAPACITOR CH 10V 1U	1	
PartsOrder		C7006	F1G1C1030008	C.CAPACITOR CH 16V 0.01U	1	
PartsOrder		C7007	F1G1C1030008	C.CAPACITOR CH 16V 0.01U	1	
PartsOrder		C7008	F1G1C1030008	C.CAPACITOR CH 16V 0.01U	1	
PartsOrder		C7009	F1G1C1030008	C.CAPACITOR CH 16V 0.01U	1	
PartsOrder		C7010	F1G0J1050007	C.CAPACITOR CH 6.3V 1U	1	
PartsOrder		C7011	F1G0J1050007	C.CAPACITOR CH 6.3V 1U	1	
PartsOrder		C7014	ECJ1VB1A105K	C.CAPACITOR CH 10V 1U	1	
PartsOrder		C7019	ECJ2FB0J106M	C.CAPACITOR CH 6.3V 10U	1	
PartsOrder		C7101	F1H0J4750004	C.CAPACITOR CH 6.3V 4.7U	1	
PartsOrder		C7102	F1G1A104A012	C.CAPACITOR CH 10V 0.1U	1	
PartsOrder		C7103	F1G1A104A012	C.CAPACITOR CH 10V 0.1U	1	

PartsOrder	Change	Ref.No.	Part No.	Part Name & Description	Quantity	Remarks
PartsOrder		C7104	F1G1A104A012	C.CAPACITOR CH 10V 0.1U	1	
PartsOrder		C7105	F1G1A104A012	C.CAPACITOR CH 10V 0.1U	1	
PartsOrder		C7201	F1J1A106A043	C.CAPACITOR CH 10V 10U	1	[PAVCX]
PartsOrder		C7202	F1G1A1040006	C.CAPACITOR CH 10V 0.1U	1	[PAVCX]
PartsOrder		C7203	F1G1E222A086	C.CAPACITOR CH 25V 2200P	1	[PAVCX]
PartsOrder		C7204	F1G1C1030008	C.CAPACITOR CH 16V 0.01U	1	[PAVCX]
PartsOrder		C7205	F1G0J1050007	C.CAPACITOR CH 6.3V 1U	1	[PAVCX]
PartsOrder		C7301	F1G0J1050007	C.CAPACITOR CH 6.3V 1U	1	
PartsOrder		C7302	F1H1A4750004	C.CAPACITOR CH 10V 4.7U	1	
PartsOrder		C7303	F1G0J1050007	C.CAPACITOR CH 6.3V 1U	1	
PartsOrder		C7304	F1G1H561A541	C.CAPACITOR CH 50V 560P	1	
PartsOrder		C7305	ECJ0EB1C223K	C.CAPACITOR CH 16V 0.022U	1	
PartsOrder		C7306	F1G1H392A571	C.CAPACITOR CH 50V 3900P	1	
PartsOrder		C7308	F1G1A104A012	C.CAPACITOR CH 10V 0.1U	1	
PartsOrder		C7311	F1G0J1050007	C.CAPACITOR CH 6.3V 1U	1	
PartsOrder		C7312	F1G0J1050007	C.CAPACITOR CH 6.3V 1U	1	
PartsOrder		C7315	F1H1E105A144	C.CAPACITOR CH 25V 1U	1	
PartsOrder		C7316	F1H1A4750004	C.CAPACITOR CH 10V 4.7U	1	
PartsOrder		C7317	F1H1A4750004	C.CAPACITOR CH 10V 4.7U	1	
PartsOrder		C7318	F1G1A104A012	C.CAPACITOR CH 10V 0.1U	1	
PartsOrder		C7319	F1H1E105A144	C.CAPACITOR CH 25V 1U	1	
PartsOrder		C7321	F1H1A4750004	C.CAPACITOR CH 10V 4.7U	1	
PartsOrder		C8001	F1G0J1050007	C.CAPACITOR CH 6.3V 1U	1	[PAVCX]
PartsOrder		C8002	F1K2J223A029	C.CAPACITOR 630V 0.022U	1	[PAVCX]
PartsOrder		C8006	F1K2J223A029	C.CAPACITOR 630V 0.022U	1	[PAVCX]
PartsOrder		C8007	F1G1H270A834	C.CAPACITOR CH 50V 27P	1	[PAVCX]
PartsOrder		C8009	F1J1A106A043	C.CAPACITOR CH 10V 10U	1	[PAVCX]
PartsOrder		C8101	F1G1C1030008	C.CAPACITOR CH 16V 0.01U	1	
PartsOrder		C8102	F1G1H3320004	C.CAPACITOR CH 50V 3300P	1	
PartsOrder		C9002	F1G1A104A012	C.CAPACITOR CH 10V 0.1U	1	
PartsOrder		C9012	F1G1A104A012	C.CAPACITOR CH 10V 0.1U	1	
PartsOrder		C9013	F1G1A104A012	C.CAPACITOR CH 10V 0.1U	1	
PartsOrder		C9014	F1G0J1050007	C.CAPACITOR CH 6.3V 1U	1	
PartsOrder		C9019	F1G1A104A012	C.CAPACITOR CH 10V 0.1U	1	
PartsOrder		C9021	F1H1E105A144	C.CAPACITOR CH 25V 1U	1	
PartsOrder		C9022	F1G1C104A077	C.CAPACITOR CH 16V 0.1U	1	
PartsOrder		C9023	F1G1A104A012	C.CAPACITOR CH 10V 0.1U	1	
PartsOrder		C9024	F1G1A104A012	C.CAPACITOR CH 10V 0.1U	1	
PartsOrder		C9025	F1G1A104A012	C.CAPACITOR CH 10V 0.1U	1	
PartsOrder		C9026	F1H1E105A144	C.CAPACITOR CH 25V 1U	1	
PartsOrder		C9027	F1H1E105A144	C.CAPACITOR CH 25V 1U	1	
PartsOrder		C9028	F1H1E105A144	C.CAPACITOR CH 25V 1U	1	
PartsOrder		C9029	F1H1E105A144	C.CAPACITOR CH 25V 1U	1	
PartsOrder		C9030	F1G1C104A077	C.CAPACITOR CH 16V 0.1U	1	
PartsOrder		C9041	F1J1A106A043	C.CAPACITOR CH 10V 10U	1	
PartsOrder		C9042	F1J1A106A043	C.CAPACITOR CH 10V 10U	1	
PartsOrder		C9043	F1J1A106A043	C.CAPACITOR CH 10V 10U	1	
PartsOrder		C9101	F1G1H1020008	C.CAPACITOR CH 50V 1000P	1	
PartsOrder		C9102	F1G0J1050007	C.CAPACITOR CH 6.3V 1U	1	

PartsOrder	Change	Ref.No.	Part No.	Part Name & Description	Quantity	Remarks
PartsOrder		C9103	F1G1H120A557	C.CAPACITOR CH 50V 12P	1	
PartsOrder		C9104	F1G1H120A557	C.CAPACITOR CH 50V 12P	1	
PartsOrder		C9105	F1G0J1050007	C.CAPACITOR CH 6.3V 1U	1	
PartsOrder		C9106	F1J1A106A043	C.CAPACITOR CH 10V 10U	1	
PartsOrder		C9110	ECJ1VB1A105K	C.CAPACITOR CH 10V 1U	1	
PartsOrder		C9111	ECJ2FB0J106M	C.CAPACITOR CH 6.3V 10U	1	
PartsOrder		C9304	F1G0J1050007	C.CAPACITOR CH 6.3V 1U	1	[PAVCX]
PartsOrder		C9305	F1G0J1050007	C.CAPACITOR CH 6.3V 1U	1	[PAVCX]
PartsOrder		C9306	F1G0J1050007	C.CAPACITOR CH 6.3V 1U	1	[PAVCX]
PartsOrder		C9308	F1H0J4750005	C.CAPACITOR CH 6.3V 4.7U	1	[PAVCX]
PartsOrder		C9309	F1H0J4750005	C.CAPACITOR CH 6.3V 4.7U	1	[PAVCX]
PartsOrder		CX6001	F5A84103A020	CAPACITOR NETWORKS	1	
PartsOrder		CX6002	F5A84103A020	CAPACITOR NETWORKS	1	
PartsOrder		CX6003	F5A84103A020	CAPACITOR NETWORKS	1	
PartsOrder		D1001	B0JCGD000016	DIODE	1	E.S.D.
PartsOrder		D1050	B0ACRC000001	DIODE	1	E.S.D.
PartsOrder		D1070	B0JCFC000003	DIODE	1	E.S.D.
PartsOrder		D1090	B0ACRC000001	DIODE	1	E.S.D.
PartsOrder		D4101	B0JCFC000003	DIODE	1	[PAVCX]E.S.D.
PartsOrder		D4102	B0JCFC000003	DIODE	1	[PAVCX]E.S.D.
PartsOrder		D4103	B0JCFC000003	DIODE	1	[PAVCX]E.S.D.
PartsOrder		D4104	B0JCFC000003	DIODE	1	[PAVCX]E.S.D.
PartsOrder		D8001	B0ECGP000006	DIODE	1	[PAVCX]E.S.D.
PartsOrder		D8002	DA2SF650EL	DIODE	1	[PAVCX]E.S.D.
PartsOrder		D8101	DZ2J082M0L	DIODE	1	E.S.D.
PartsOrder		D8103	B2ABAP000007	DIODE	1	E.S.D.
PartsOrder		D9001	B0BD5R6A0013	DIODE	1	E.S.D.
PartsOrder		D9003	B0BC5R6A0169	DIODE	1	E.S.D.
PartsOrder		D9004	B0BC5R6A0169	DIODE	1	E.S.D.
PartsOrder		D9005	B0BC5R6A0169	DIODE	1	E.S.D.
PartsOrder		D9901	B3ADB0000244	DIODE	1	[PAVCX]E.S.D.
PartsOrder		ET2002	K4CC01000001	EARTH SPRING	1	
PartsOrder		ET2003	K4ZZ01000330	EARTH TERMINAL	1	
PartsOrder		F1070	K5H1512A0024	FUSE 50V 0.15A	1	
PartsOrder		F2001	K5H1522A0018	FUSE 32V 1.5A	1	
PartsOrder		F8001	K5H152YA0080	FUSE 32V 2.0A	1	[PAVCX]
PartsOrder		F8002	K5H252YA0080	FUSE 32V 2.5A	1	[PAVCX]
PartsOrder		FL2001	EXC28CH900U	FILTER	1	
PartsOrder		FL2002	EXC28CH900U	FILTER	1	
PartsOrder		FP4101	K1MY33BA0556	CONNECTOR 33P	1	[PAVCX]
PartsOrder		FP4102	K1MY51BA0667	CONNECTOR 51P	1	[PAVCX]
PartsOrder		FP5501	K1MY08BA0633	CONNECTOR 8P	1	[PAVCX]
PartsOrder		FP5502	K1MY04BA0633	CONNECTOR 4P	1	[PAVCX]
PartsOrder		FP6302	K1MY04BA0633	CONNECTOR 4P	1	
PartsOrder		FP9001	K1MY51BA0667	CONNECTOR 51P	1	
PartsOrder		FP9002	K1MY16BA0633	CONNECTOR 16P	1	
PartsOrder		FP9003	K1MY45BA0667	CONNECTOR 45P	1	
PartsOrder		FP9004	K1MY18BA0633	CONNECTOR 18P	1	
PartsOrder		FP9005	K1MY51BA0667	CONNECTOR 51P	1	

PartsOrder	Change	Ref.No.	Part No.	Part Name & Description	Quantity	Remarks
PartsOrder		FP9006	K1MY18BA0633	CONNECTOR 18P	1	
PartsOrder		FP9007	K1MY16BA0633	CONNECTOR 16P	1	
PartsOrder		FP9009	K1MY61AA0288	CONNECTOR 61P	1	
PartsOrder		FP9301	K1MY08BA0633	CONNECTOR 8P	1	[PAVCX]
PartsOrder		IC1001	C1ZBZ0004906	IC	1	E.S.D.
PartsOrder		IC1060	C0DBGYY05343	IC	1	E.S.D.
PartsOrder		IC1061	C0DBAYY01645	IC	1	E.S.D.
PartsOrder		IC1080	C0DBAYY02115	IC	1	E.S.D.
PartsOrder		IC1090	C0DBAYY02118	IC	1	E.S.D.
PartsOrder		IC1120	C0DBGYY03614	IC	1	E.S.D.
PartsOrder		IC1140	C0DBGYY03640	IC	1	E.S.D.
PartsOrder		IC1220	C0DBGYY03614	IC	1	E.S.D.
PartsOrder		IC1240	C0DBGYY02519	IC	1	E.S.D.
PartsOrder		IC1320	C0DBGYY03614	IC	1	E.S.D.
PartsOrder		IC1420	C0DBGYY03614	IC	1	E.S.D.
PartsOrder		IC1910	C0DBAYY01645	IC	1	E.S.D.
PartsOrder		IC2001	C9ZB00000670	IC	1	E.S.D.
PartsOrder		IC5101	C0JBAS000401	IC	1	E.S.D.
PartsOrder		IC5102	C0JBAS000401	IC	1	E.S.D.
PartsOrder		IC5304	C0DBGYY02176	IC	1	E.S.D.
PartsOrder		IC5403	C0BBAA000008	IC	1	E.S.D.
PartsOrder		IC6001	SCG0001	IC	1	E.S.D.
PartsOrder		IC6003	SCM0001	IC	1	E.S.D.
PartsOrder		IC6201	VUEALLPT053	IC	1	E.S.D.
PartsOrder		IC6301	MN63Y1009-E1	IC	1	E.S.D.
PartsOrder		IC6601	C0DBGYY02368	IC	1	E.S.D.
PartsOrder		IC6602	C0JBAF000785	IC	1	E.S.D.
PartsOrder		IC6603	C0DBGYY05584	IC	1	E.S.D.
PartsOrder		IC6604	C0DBGYY05590	IC	1	E.S.D.
PartsOrder		IC6605	C0DBGYY05582	IC	1	E.S.D.
PartsOrder		IC6606	C0ZBZ0002095	IC	1	E.S.D.
PartsOrder		IC6607	C0ZBZ0002095	IC	1	E.S.D.
PartsOrder		IC6608	C0ZBZ0002223	IC	1	E.S.D.
PartsOrder		IC6609	C0JBAF000785	IC	1	E.S.D.
PartsOrder		IC6610	C0JBAF000785	IC	1	E.S.D.
PartsOrder		IC6611	C0JBAF000785	IC	1	E.S.D.
PartsOrder		IC7101	EWTS9PDL1A	IC	1	E.S.D.
PartsOrder		IC7201	EWTS9RCL1A	IC	1	E.S.D.
PartsOrder		IC7202	C0ABGA000035	IC	1	[PAVCX]E.S.D.
PartsOrder		IC7301	C0JBAZ002390	IC	1	E.S.D.
PartsOrder		IC7302	C0ABGA000090	IC	1	E.S.D.
PartsOrder		IC7303	C0GBC0000028	IC	1	E.S.D.
PartsOrder		IC7304	C0ABHA000054	IC	1	E.S.D.
PartsOrder		IC7305	C0GBY0000241	IC	1	E.S.D.
PartsOrder		IC7306	C0GBY0000153	IC	1	E.S.D.
PartsOrder		IC7307	C0ABAA000055	IC	1	E.S.D.
PartsOrder		IC8001	C0ZBZ0001817	IC	1	[PAVCX]E.S.D.
PartsOrder		IC9001	C0JBAU000197	IC	1	E.S.D.
PartsOrder		IC9101	C1AB00003449	IC	1	E.S.D.

PartsOrder	Change	Ref.No.	Part No.	Part Name & Description	Quantity	Remarks
PartsOrder		JK2001	K1FB108E0008	JACK	1	
PartsOrder		JK2002	K1FY119E0071	JACK	1	
PartsOrder		JK2003	K2HD104D0002	JACK	1	
PartsOrder		JK9301	K2HC106E0009	JACK	1	[PAVCX]
PartsOrder		L1010	G1C4R7MA0392	CHIP INDUCTOR 4.7UH	1	
PartsOrder		L1020	G1C100MA0461	CHIP INDUCTOR 10UH	1	
PartsOrder		L1030	G1C100MA0461	CHIP INDUCTOR 10UH	1	
PartsOrder		L1040	G1C100MA0461	CHIP INDUCTOR 10UH	1	
PartsOrder		L1050	G1C100MA0461	CHIP INDUCTOR 10UH	1	
PartsOrder		L1060	G1C2R2MA0477	CHIP INDUCTOR 2.2UH	1	
PartsOrder		L1070	G1C330MA0477	CHIP INDUCTOR 33UH	1	
PartsOrder		L1080	G1C100MA0461	CHIP INDUCTOR 10UH	1	
PartsOrder		L1090	G1C4R7MA0477	CHIP INDUCTOR 4.7UH	1	
PartsOrder		L1910	G1C1R5MA0577	CHIP INDUCTOR 1.5UH	1	
PartsOrder		L2001	J0ZZB0000142	CHIP INDUCTOR	1	
PartsOrder		L4101	G1C100MA0536	CHIP INDUCTOR 10UH	1	[PAVCX]
PartsOrder		L6001	G1C2R2KA0096	CHIP INDUCTOR 2.2UH	1	
PartsOrder		L6501	G1C1R0MA0172	CHIP INDUCTOR 1UH	1	
PartsOrder		L7001	G1C100MA0408	CHIP INDUCTOR 10UH	1	
PartsOrder		LB2001	J0JCC0000415	FILTER	1	
PartsOrder		LB2002	J0JCC0000415	FILTER	1	
PartsOrder		LB2004	J0JCC0000415	FILTER	1	
PartsOrder		LB5401	J0JBC0000107	FILTER	1	
PartsOrder		LB5402	J0JBC0000107	FILTER	1	
PartsOrder		LB5403	J0JBC0000107	FILTER	1	
PartsOrder		LB5404	J0JBC0000107	FILTER	1	
PartsOrder		LB6001	J0JCC0000412	FILTER	1	
PartsOrder		LB6002	J0JFC0000006	FILTER	1	
PartsOrder		LB6003	J0JCC0000317	FILTER	1	
PartsOrder		P6501	K1NA09E00153	MEMORY CARD CONNECTOR	1	
PartsOrder		P8001	K4ZZ04000052	CONNECTOR 4P	1	[PAVCX]
PartsOrder		PP8001	K1KA30B00077	CONNECTOR 30P	1	[PAVCX]
PartsOrder		PS9001	K1KB30AA0116	CONNECTOR 30P	1	
PartsOrder		Q1060	B1CFHC000005	TRANSISTOR	1	E.S.D.
PartsOrder		Q1070	FK3503010L	TRANSISTOR	1	E.S.D.
PartsOrder		Q1081	B1CHMB000007	TRANSISTOR	1	E.S.D.
PartsOrder		Q1090	B1CHQB000012	TRANSISTOR	1	E.S.D.
PartsOrder		Q2001	B1CFGD000003	TRANSISTOR	1	E.S.D.
PartsOrder		Q2002	B1CFJD000007	TRANSISTOR	1	E.S.D.
PartsOrder		Q4101	B1CFNC000004	TRANSISTOR	1	[PAVCX]E.S.D.
PartsOrder		Q5301	B1ABDF000017	TRANSISTOR	1	E.S.D.
PartsOrder		Q6501	MTM861270LBF	TRANSISTOR	1	E.S.D.
PartsOrder		Q6601	B1HBCFA00053	TRANSISTOR	1	E.S.D.
PartsOrder		Q7301	B1ADGE000014	TRANSISTOR	1	E.S.D.
PartsOrder		Q8001	B1JBLP000037	TRANSISTOR	1	[PAVCX]E.S.D.
PartsOrder		Q8101	FK3503010L	TRANSISTOR	1	E.S.D.
PartsOrder		Q9001	FK3303010L	TRANSISTOR	1	E.S.D.
PartsOrder		Q9002	FK3303010L	TRANSISTOR	1	E.S.D.

PartsOrder	Change	Ref.No.	Part No.	Part Name & Description	Quantity	Remarks
PartsOrder		Q9003	B1CFHC000011	TRANSISTOR	1	E.S.D.
PartsOrder		Q9004	B1HFCFA00035	TRANSISTOR	1	E.S.D.
PartsOrder		Q9101	B1ABCF000302	TRANSISTOR	1	E.S.D.
PartsOrder		Q9301	B1ABDF000017	TRANSISTOR	1	[PAVCX]E.S.D.
PartsOrder		QR1001	B1GKCFYY0029	TRANSISTOR-RESISTOR	1	E.S.D.
PartsOrder		QR1080	B1GFCFLL0009	TRANSISTOR-RESISTOR	1	E.S.D.
PartsOrder		QR1081	B1GBCFY0217	TRANSISTOR-RESISTOR	1	E.S.D.
PartsOrder		QR1090	B1GBCFY0219	TRANSISTOR-RESISTOR	1	E.S.D.
PartsOrder		QR2009	B1GKCFYY0029	TRANSISTOR-RESISTOR	1	E.S.D.
PartsOrder		QR6501	B1GBCFY0217	TRANSISTOR-RESISTOR	1	E.S.D.
PartsOrder		QR6502	B1GDCFY0150	TRANSISTOR-RESISTOR	1	E.S.D.
PartsOrder		QR6503	B1GDCFY0150	TRANSISTOR-RESISTOR	1	E.S.D.
PartsOrder		QR6601	B1GBCFY0217	TRANSISTOR-RESISTOR	1	E.S.D.
PartsOrder		QR6602	B1GDCFY0148	TRANSISTOR-RESISTOR	1	E.S.D.
PartsOrder		QR7301	B1GBCFY0221	TRANSISTOR-RESISTOR	1	E.S.D.
PartsOrder		QR8101	B1GFCFY0021	TRANSISTOR-RESISTOR	1	E.S.D.
PartsOrder		QR8102	B1GFCFY0021	TRANSISTOR-RESISTOR	1	E.S.D.
PartsOrder		QR8103	B1GKCFJN0003	TRANSISTOR-RESISTOR	1	E.S.D.
PartsOrder		QR9002	B1GFCFY0021	TRANSISTOR-RESISTOR	1	E.S.D.
PartsOrder		QR9003	B1GFCFY0021	TRANSISTOR-RESISTOR	1	E.S.D.
PartsOrder		QR9102	B1GDCFY0150	TRANSISTOR-RESISTOR	1	E.S.D.
PartsOrder		R1002	ERJ2RHD473	M.RESISTOR CH 1/16W 47K	1	
PartsOrder		R1007	ERJ2GEJ102X	M.RESISTOR CH 1/10W 1K	1	
PartsOrder		R1062	ERJ2RHD183	M.RESISTOR CH 1/16W 18K	1	
PartsOrder		R1063	ERJ2RHD183	M.RESISTOR CH 1/16W 18K	1	
PartsOrder		R1066	ERJ2GEJ102X	M.RESISTOR CH 1/10W 1K	1	
PartsOrder		R1072	ERJ2RKD120	M.RESISTOR CH 1/16W 12	1	
PartsOrder		R1082	ERJ2RKD184	M.RESISTOR CH 1/16W 180K	1	
PartsOrder		R1083	ERJ2RHD203	M.RESISTOR CH 1/16W 20K	1	
PartsOrder		R1084	ERJ2GEJ202	M.RESISTOR CH 1/10W 2K	1	
PartsOrder		R1087	ERJ2GEJ223	M.RESISTOR CH 1/10W 22K	1	
PartsOrder		R1088	ERJ2GEJ473	M.RESISTOR CH 1/10W 47K	1	
PartsOrder		R1089	ERJ2GEJ103	M.RESISTOR CH 1/10W 10K	1	
PartsOrder		R1091	ERJ2RHD683	M.RESISTOR CH 1/16W 68K	1	
PartsOrder		R1092	ERJ2RHD103	M.RESISTOR CH 1/16W 10K	1	
PartsOrder		R1095	ERJ2GEJ103	M.RESISTOR CH 1/10W 10K	1	
PartsOrder		R1096	ERJ2GEJ103	M.RESISTOR CH 1/10W 10K	1	
PartsOrder		R1097	ERJ2GEJ103	M.RESISTOR CH 1/10W 10K	1	
PartsOrder		R1880	ERJ2GEJ152	M.RESISTOR CH 1/10W 1.5K	1	
PartsOrder		R1912	ERJ2RHD123X	M.RESISTOR CH 1/16W 12K	1	
PartsOrder		R1913	ERJ2RHD393	M.RESISTOR CH 1/16W 39K	1	
PartsOrder		R1914	ERJ2RKD394	M.RESISTOR CH 1/16W 390K	1	
PartsOrder		R2001	ERJ2GEJ101	M.RESISTOR CH 1/10W 100	1	
PartsOrder		R2002	ERJ2GEJ561	M.RESISTOR CH 1/10W 560	1	
PartsOrder		R2003	ERJ2GEJ102X	M.RESISTOR CH 1/10W 1K	1	
PartsOrder		R2004	ERJ2GEJ102X	M.RESISTOR CH 1/10W 1K	1	
PartsOrder		R2005	ERJ2GEJ750	M.RESISTOR CH 1/10W 75	1	
PartsOrder		R2006	ERJ3GEYJ100	M.RESISTOR CH 1/10W 10	1	
PartsOrder		R2007	ERJ2GEJ473	M.RESISTOR CH 1/10W 47K	1	

PartsOrder	Change	Ref.No.	Part No.	Part Name & Description	Quantity	Remarks
PartsOrder		R2008	ERJ2GED273X	M.RESISTOR CH 1/10W 27K	1	
PartsOrder		R2009	ERJ2RHD201	M.RESISTOR CH 1/16W 200	1	
PartsOrder		R2010	ERJ2RKD330	M.RESISTOR CH 1/16W 33	1	
PartsOrder		R2011	ERJ2RKD330	M.RESISTOR CH 1/16W 33	1	
PartsOrder		R2019	ERJ2GEJ202	M.RESISTOR CH 1/10W 2K	1	
PartsOrder		R2020	ERJ2GEJ202	M.RESISTOR CH 1/10W 2K	1	
PartsOrder		R5111	ERJ2GEJ333	M.RESISTOR CH 1/10W 33K	1	
PartsOrder		R5112	ERJ2GEJ222	M.RESISTOR CH 1/10W 2.2K	1	
PartsOrder		R5113	ERJ2GEJ222	M.RESISTOR CH 1/10W 2.2K	1	
PartsOrder		R5117	ERJ2GEJ333	M.RESISTOR CH 1/10W 33K	1	
PartsOrder		R5165	J0JBC0000107	FILTER	1	
PartsOrder		R5351	ERJ2GEJ472	M.RESISTOR CH 1/10W 4.7K	1	
PartsOrder		R5401	ERJ2GEJ102X	M.RESISTOR CH 1/10W 1K	1	
PartsOrder		R5421	ERJ2RHD683	M.RESISTOR CH 1/16W 68K	1	
PartsOrder		R5422	ERJ2RHD113	M.RESISTOR CH 1/16W 11K	1	
PartsOrder		R6001	ERJ2GEJ470	M.RESISTOR CH 1/10W 47	1	
PartsOrder		R6004	ERJ2GEJ103	M.RESISTOR CH 1/10W 10K	1	
PartsOrder		R6005	ERJ2RHD511	M.RESISTOR CH 1/16W 510	1	
PartsOrder		R6006	ERJ2RHD511	M.RESISTOR CH 1/16W 510	1	
PartsOrder		R6007	ERJ2RHD511	M.RESISTOR CH 1/16W 510	1	
PartsOrder		R6008	ERJ2RHD511	M.RESISTOR CH 1/16W 510	1	
PartsOrder		R6009	ERJ2RHD511	M.RESISTOR CH 1/16W 510	1	
PartsOrder		R6010	ERJ2RHD511	M.RESISTOR CH 1/16W 510	1	
PartsOrder		R6011	ERJ2RHD511	M.RESISTOR CH 1/16W 510	1	
PartsOrder		R6012	ERJ2RHD511	M.RESISTOR CH 1/16W 510	1	
PartsOrder		R6013	ERJ2RHD511	M.RESISTOR CH 1/16W 510	1	
PartsOrder		R6014	ERJ2RHD511	M.RESISTOR CH 1/16W 510	1	
PartsOrder		R6015	ERJ2RHD511	M.RESISTOR CH 1/16W 510	1	
PartsOrder		R6016	ERJ2RHD511	M.RESISTOR CH 1/16W 510	1	
PartsOrder		R6017	ERJ2RHD241	M.RESISTOR CH 1/16W 240	1	
PartsOrder		R6018	ERJ2RHD241	M.RESISTOR CH 1/16W 240	1	
PartsOrder		R6019	ERJ2RHD241	M.RESISTOR CH 1/16W 240	1	
PartsOrder		R6020	ERJ2RHD241	M.RESISTOR CH 1/16W 240	1	
PartsOrder		R6021	ERJ2RHD822X	M.RESISTOR CH 1/16W 8.2K	1	
PartsOrder		R6022	ERJ2RHD103	M.RESISTOR CH 1/16W 10K	1	
PartsOrder		R6026	ERJ2RHD682X	M.RESISTOR CH 1/10W 6.8K	1	
PartsOrder		R6027	ERJ2RHD472X	M.RESISTOR CH 1/16W 4.7K	1	P,PC,PU,EE,GN
PartsOrder		R6028	ERJ2RHD201	M.RESISTOR CH 1/16W 200	1	
PartsOrder		R6029	ERJ2GEJ332	M.RESISTOR CH 1/10W 3.3K	1	
PartsOrder		R6030	ERJ2GEJ332	M.RESISTOR CH 1/10W 3.3K	1	
PartsOrder		R6031	ERJ2GEJ470	M.RESISTOR CH 1/10W 47	1	
PartsOrder		R6032	ERJ2GEJ470	M.RESISTOR CH 1/10W 47	1	
PartsOrder		R6033	ERJ2GEJ103	M.RESISTOR CH 1/10W 10K	1	
PartsOrder		R6034	D0YAR0000007	M.RESISTOR CH 1/10W 0	1	EG,EP,EF,EB
PartsOrder		R6035	ERJ2GEJ473	M.RESISTOR CH 1/10W 47K	1	
PartsOrder		R6036	ERJ2GEJ151	M.RESISTOR CH 1/10W 150	1	
PartsOrder		R6037	ERJ2GEJ470	M.RESISTOR CH 1/10W 47	1	
PartsOrder		R6039	ERJ2GEJ102X	M.RESISTOR CH 1/10W 1K	1	
PartsOrder		R6041	ERJ2GEJ270	M.RESISTOR CH 1/10W 27	1	

PartsOrder	Change	Ref.No.	Part No.	Part Name & Description	Quantity	Remarks
PartsOrder		R6042	ERJ2GEJ470	M.RESISTOR CH 1/10W 47	1	
PartsOrder		R6043	ERJ2GEJ102X	M.RESISTOR CH 1/10W 1K	1	
PartsOrder		R6046	ERJ2GEJ105	M.RESISTOR CH 1/10W 1M	1	
PartsOrder		R6047	ERJ2GEJ102X	M.RESISTOR CH 1/10W 1K	1	
PartsOrder		R6049	ERJ2RHD472X	M.RESISTOR CH 1/16W 4.7K	1	EG,EP,EF,EB
PartsOrder		R6117	D0YAR0000007	M.RESISTOR CH 1/10W 0	1	
PartsOrder		R6120	ERJ2GEJ102X	M.RESISTOR CH 1/10W 1K	1	
PartsOrder		R6125	ERJ2GEJ103	M.RESISTOR CH 1/10W 10K	1	
PartsOrder		R6501	ERJ2GEJ102X	M.RESISTOR CH 1/10W 1K	1	
PartsOrder		R6502	ERJ2GEJ223	M.RESISTOR CH 1/10W 22K	1	
PartsOrder		R6504	ERJ2GEJ104	M.RESISTOR CH 1/10W 100K	1	
PartsOrder		R6505	ERJ2GEJ103	M.RESISTOR CH 1/10W 10K	1	
PartsOrder		R6510	ERJ2GEJ680	M.RESISTOR CH 1/10W 68	1	
PartsOrder		R6604	ERJ2BQJR51	M.RESISTOR CH 1/10W 0.5	1	
PartsOrder		R6607	ERJ2BQJR51	M.RESISTOR CH 1/10W 0.5	1	
PartsOrder		R6610	ERJ2BQJR51	M.RESISTOR CH 1/10W 0.5	1	
PartsOrder		R6613	ERJ2GEJ104	M.RESISTOR CH 1/10W 100K	1	
PartsOrder		R6614	ERJ2GEJ104	M.RESISTOR CH 1/10W 100K	1	
PartsOrder		R6615	ERJ2RHD104	M.RESISTOR CH 1/16W 100K	1	
PartsOrder		R6616	ERJ2RHD393	M.RESISTOR CH 1/16W 39K	1	
PartsOrder		R6617	ERJ2RHD333X	M.RESISTOR CH 1/16W 33K	1	
PartsOrder		R6618	ERJ2RHD223	M.RESISTOR CH 1/16W 22K	1	
PartsOrder		R6619	ERJ2RHD333X	M.RESISTOR CH 1/16W 33K	1	
PartsOrder		R6620	ERJ2RHD223	M.RESISTOR CH 1/16W 22K	1	
PartsOrder		R6632	ERJ2GEJ105	M.RESISTOR CH 1/10W 1M	1	
PartsOrder		R7002	ERJ2RKD680	M.RESISTOR CH 1/16W 68	1	
PartsOrder		R7007	ERJ2RKD680	M.RESISTOR CH 1/16W 68	1	
PartsOrder		R7021	ERJ2RHD822X	M.RESISTOR CH 1/16W 8.2K	1	
PartsOrder		R7201	D0GA223JA023	M.RESISTOR CH 1/10W 22K	1	[PAVCX]
PartsOrder		R7202	D1BA1002A022	M.RESISTOR CH 1/16W 10K	1	[PAVCX]
PartsOrder		R7203	D1BA6802A022	M.RESISTOR CH 1/16W 68K	1	[PAVCX]
PartsOrder		R7204	D1BA6802A022	M.RESISTOR CH 1/16W 68K	1	[PAVCX]
PartsOrder		R7301	ERJ2RHD103	M.RESISTOR CH 1/16W 10K	1	
PartsOrder		R7302	ERJ2RHD103	M.RESISTOR CH 1/16W 10K	1	
PartsOrder		R7303	ERJ2RHD103	M.RESISTOR CH 1/16W 10K	1	
PartsOrder		R7304	ERJ2RHD103	M.RESISTOR CH 1/16W 10K	1	
PartsOrder		R7305	ERJ2RHD103	M.RESISTOR CH 1/16W 10K	1	
PartsOrder		R7306	ERJ2RHD393	M.RESISTOR CH 1/16W 39K	1	
PartsOrder		R7307	ERJ2RHD393	M.RESISTOR CH 1/16W 39K	1	
PartsOrder		R7308	ERJ2RHD393	M.RESISTOR CH 1/16W 39K	1	
PartsOrder		R7309	ERJ2RHD393	M.RESISTOR CH 1/16W 39K	1	
PartsOrder		R7310	ERJ2RHD822X	M.RESISTOR CH 1/16W 8.2K	1	
PartsOrder		R7311	ERJ2RHD103	M.RESISTOR CH 1/16W 10K	1	
PartsOrder		R7314	ERJ2RHD822X	M.RESISTOR CH 1/16W 8.2K	1	
PartsOrder		R7315	ERJ2RHD103	M.RESISTOR CH 1/16W 10K	1	
PartsOrder		R7318	ERJ2RHD822X	M.RESISTOR CH 1/16W 8.2K	1	
PartsOrder		R7319	ERJ2RHD103	M.RESISTOR CH 1/16W 10K	1	
PartsOrder		R7322	ERJ2GEJ473	M.RESISTOR CH 1/10W 47K	1	
PartsOrder		R7323	ERJ2GEJ821	M.RESISTOR CH 1/10W 820	1	

PartsOrder	Change	Ref.No.	Part No.	Part Name & Description	Quantity	Remarks
PartsOrder		R7328	ERJ2GEJ102X	M.RESISTOR CH 1/10W 1K	1	
PartsOrder		R7329	ERJ2GEJ102X	M.RESISTOR CH 1/10W 1K	1	
PartsOrder		R7345	D1BA1R00A079	M.RESISTOR CH 1/16W 1	1	
PartsOrder		R7349	D1BA1R00A079	M.RESISTOR CH 1/16W 1	1	
PartsOrder		R7356	ERJ2GEJ103	M.RESISTOR CH 1/10W 10K	1	
PartsOrder		R7359	ERJ2RHD103	M.RESISTOR CH 1/16W 10K	1	
PartsOrder		R7360	ERJ2RHD103	M.RESISTOR CH 1/16W 10K	1	
PartsOrder		R7361	ERJ2RHD473	M.RESISTOR CH 1/16W 47K	1	
PartsOrder		R7362	ERJ2RHD473	M.RESISTOR CH 1/16W 47K	1	
PartsOrder		R8002	D0GB104JA065	M.RESISTOR CH 1/10W 100K	1	[PAVCX]
PartsOrder		R8003	D0GB680JA065	M.RESISTOR CH 1/10W 68	1	[PAVCX]
PartsOrder		R8005	D0GD393JA052	RESISTOR	1	[PAVCX]
PartsOrder		R8006	D0GD363JA052	RESISTOR	1	[PAVCX]
PartsOrder		R8013	D1BA1621A022	M.RESISTOR CH 1/16W1.621K	1	[PAVCX]
PartsOrder		R8021	D0GA473JA023	M.RESISTOR CH 1/10W 47K	1	[PAVCX]
PartsOrder		R8032	D1BD4703A119	M.RESISTOR CH 1/3W 470K	1	[PAVCX]
PartsOrder		R8033	D0GF104JA048	RESISTOR	1	[PAVCX]
PartsOrder		R8034	D0GF472JA048	RESISTOR	1	[PAVCX]
PartsOrder		R8101	ERJ2GEJ102X	M.RESISTOR CH 1/10W 1K	1	
PartsOrder		R8107	ERJ6GEYJ106V	M.RESISTOR CH 1/10W 10M	1	
PartsOrder		R8108	ERJ6GEYJ106V	M.RESISTOR CH 1/10W 10M	1	
PartsOrder		R8109	ERJ2GEJ102X	M.RESISTOR CH 1/10W 1K	1	
PartsOrder		R8110	ERJ2GEJ471	M.RESISTOR CH 1/10W 470	1	
PartsOrder		R9001	ERJ2GEJ151	M.RESISTOR CH 1/10W 150	1	
PartsOrder		R9002	ERJ2GEJ183	M.RESISTOR CH 1/10W 18K	1	
PartsOrder		R9004	ERJ2GEJ153	M.RESISTOR CH 1/10W 15K	1	
PartsOrder		R9005	ERJ2GEJ153	M.RESISTOR CH 1/10W 15K	1	
PartsOrder		R9006	ERJ2GEJ221	M.RESISTOR CH 1/10W 220	1	
PartsOrder		R9007	ERJ2GEJ221	M.RESISTOR CH 1/10W 220	1	
PartsOrder		R9008	ERJ2GEJ151	M.RESISTOR CH 1/10W 150	1	
PartsOrder		R9009	ERJ2GEJ183	M.RESISTOR CH 1/10W 18K	1	
PartsOrder		R9010	ERJ2GEJ123	M.RESISTOR CH 1/10W 12K	1	
PartsOrder		R9012	ERJ2GEJ123	M.RESISTOR CH 1/10W 12K	1	
PartsOrder		R9015	ERJ2GEJ183	M.RESISTOR CH 1/10W 18K	1	
PartsOrder		R9017	ERJ2GEJ391	M.RESISTOR CH 1/10W 390	1	
PartsOrder		R9021	ERJ2GEJ102X	M.RESISTOR CH 1/10W 1K	1	
PartsOrder		R9022	ERJ2GEJ102X	M.RESISTOR CH 1/10W 1K	1	
PartsOrder		R9023	ERJ2GEJ102X	M.RESISTOR CH 1/10W 1K	1	
PartsOrder		R9024	ERJ2GEJ101	M.RESISTOR CH 1/10W 100	1	
PartsOrder		R9027	ERJ2GEJ472	M.RESISTOR CH 1/10W 4.7K	1	
PartsOrder		R9028	ERJ2GEJ472	M.RESISTOR CH 1/10W 4.7K	1	
PartsOrder		R9029	ERJ2GEJ102X	M.RESISTOR CH 1/10W 1K	1	
PartsOrder		R9030	ERJ2GEJ102X	M.RESISTOR CH 1/10W 1K	1	
PartsOrder		R9031	ERJ2GEJ102X	M.RESISTOR CH 1/10W 1K	1	
PartsOrder		R9032	ERJ2GEJ102X	M.RESISTOR CH 1/10W 1K	1	
PartsOrder		R9033	ERJ2GEJ102X	M.RESISTOR CH 1/10W 1K	1	
PartsOrder		R9034	ERJ2RHD201	M.RESISTOR CH 1/16W 200	1	
PartsOrder		R9035	ERJ2RHD273	M.RESISTOR CH 1/16W 27K	1	
PartsOrder		R9036	ERJ2RHD273	M.RESISTOR CH 1/16W 27K	1	

PartsOrder	Change	Ref.No.	Part No.	Part Name & Description	Quantity	Remarks
PartsOrder		R9039	ERJ2GEJ103	M.RESISTOR CH 1/10W 10K	1	
PartsOrder		R9040	ERJ2GEJ103	M.RESISTOR CH 1/10W 10K	1	
PartsOrder		R9052	ERJ2GEJ102X	M.RESISTOR CH 1/10W 1K	1	
PartsOrder		R9056	ERJ2GEJ102X	M.RESISTOR CH 1/10W 1K	1	
PartsOrder		R9057	ERJ2RHD223	M.RESISTOR CH 1/16W 22K	1	
PartsOrder		R9058	ERJ2RHD123X	M.RESISTOR CH 1/16W 12K	1	
PartsOrder		R9059	ERJ2GEJ302	M.RESISTOR CH 1/10W 3K	1	
PartsOrder		R9064	ERJ2GEJ332	M.RESISTOR CH 1/10W 3.3K	1	
PartsOrder		R9065	D0YAR0000007	M.RESISTOR CH 1/10W 1K	1	
PartsOrder		R9066	D0YAR0000007	M.RESISTOR CH 1/10W 1K	1	
PartsOrder		R9067	D0YAR0000007	M.RESISTOR CH 1/10W 1K	1	
PartsOrder		R9071	ERJ2GEJ392	M.RESISTOR CH 1/10W 3.9K	1	
PartsOrder		R9072	ERJ2GEJ103	M.RESISTOR CH 1/10W 10K	1	
PartsOrder		R9073	ERJ2GEJ103	M.RESISTOR CH 1/10W 10K	1	
PartsOrder		R9074	ERJ2GEJ392	M.RESISTOR CH 1/10W 3.9K	1	
PartsOrder		R9075	ERJ2GEJ102X	M.RESISTOR CH 1/10W 1K	1	
PartsOrder		R9076	ERJ2GEJ621	M.RESISTOR CH 1/10W 620	1	
PartsOrder		R9077	ERJ2GEJ152	M.RESISTOR CH 1/10W 1.5K	1	
PartsOrder		R9078	ERJ2GEJ472	M.RESISTOR CH 1/10W 4.7K	1	
PartsOrder		R9103	ERJ2GEJ512X	M.RESISTOR CH 1/10W 5.1K	1	
PartsOrder		R9106	ERJ2RKD105	M.RESISTOR CH 1/16W 1M	1	
PartsOrder		R9107	ERJ2RKD224	M.RESISTOR CH 1/16W 220K	1	
PartsOrder		R9109	ERJ2GEJ331	M.RESISTOR CH 1/10W 330	1	
PartsOrder		R9114	ERJ2RHD393	M.RESISTOR CH 1/16W 39K	1	
PartsOrder		R9115	ERJ2RKD124	M.RESISTOR CH 1/16W 120K	1	
PartsOrder		R9119	ERJ2RHD333X	M.RESISTOR CH 1/16W 33K	1	
PartsOrder		R9120	ERJ2RHD753	M.RESISTOR CH 1/16W 75K	1	
PartsOrder		R9123	ERJ3GEYJ330	M.RESISTOR CH 1/10W 33	1	
PartsOrder		R9133	ERJ2GEJ473	M.RESISTOR CH 1/10W 47K	1	
PartsOrder		R9301	D1BB5601A074	RESISTOR	1	[PAVCX]
PartsOrder		R9302	D1BB5601A074	RESISTOR	1	[PAVCX]
PartsOrder		R9303	D1BB5601A074	RESISTOR	1	[PAVCX]
PartsOrder		R9305	D0GA473JA023	M.RESISTOR CH 1/10W 47K	1	[PAVCX]
PartsOrder		R9306	D0GA683JA023	M.RESISTOR CH 1/10W 68K	1	[PAVCX]
PartsOrder		R9310	D0GA153JA023	M.RESISTOR CH 1/10W 15K	1	[PAVCX]
PartsOrder		RX2003	EXB24V472JX	RESISTOR NETWORKS	1	
PartsOrder		RX6001	EXB28V103JX	RESISTOR NETWORKS	1	
PartsOrder		RX6002	EXB28V472JX	RESISTOR NETWORKS	1	
PartsOrder		RX6003	EXB28V473JX	RESISTOR NETWORKS	1	
PartsOrder		RX6004	EXB28V181J	RESISTOR NETWORKS	1	
PartsOrder		RX6501	EXB28V473JX	RESISTOR NETWORKS	1	
PartsOrder		RX6502	EXB28V680JX	RESISTOR NETWORKS	1	
PartsOrder		RX8111	EXB28V331J	RESISTOR NETWORKS	1	
PartsOrder		RX8112	EXB28V103JX	RESISTOR NETWORKS	1	
PartsOrder		RX9007	EXB28V221J	RESISTOR NETWORKS	1	
PartsOrder		RX9008	EXB28V221J	RESISTOR NETWORKS	1	
PartsOrder		RX9009	EXB28V221J	RESISTOR NETWORKS	1	
PartsOrder		RX9010	EXB28V221J	RESISTOR NETWORKS	1	
PartsOrder		RX9011	EXB28V102JX	RESISTOR NETWORKS	1	

PartsOrder	Change	Ref.No.	Part No.	Part Name & Description	Quantity	Remarks
PartsOrder		RX9012	EXB28V102JX	RESISTOR NETWORKS	1	
PartsOrder		RX9013	EXB28V102JX	RESISTOR NETWORKS	1	
PartsOrder		RX9101	EXB28V102JX	RESISTOR NETWORKS	1	
PartsOrder		T8001	G5DYA0000152	TRANSFORMER	1	[PAVCX]
PartsOrder		TH6001	D4CC11030013	THERMISTORS	1	
PartsOrder		X6001	H0J240500048	CRYSTAL OSCILLATOR	1	
PartsOrder		X9101	H0J327200085	CRYSTAL OSCILLATOR	1	
PartsOrder		1	SEP0093AA	MAIN P.C.B.	1	(RTL) E.S.D. P,PC,PU,EE,GN
PartsOrder		1	SEP0093AB	MAIN P.C.B.	1	(RTL) E.S.D. EG,EP,EF,EB
PartsOrder		2	SGQ0212	THERMAL SHEET	1	
PartsOrder		3	SGQ0212	THERMAL SHEET	1	
PartsOrder		4	SMP0005	BATTERY PLATE A	1	
PartsOrder		5	VMT2329	HEAT RADIATION PAD	1	
PartsOrder		6	L5ZZ00000196	LVF MODULE	1	
PartsOrder		11	SEQ0032	FLASH P.C.B. UNIT	1	[PAVCX]E.S.D.
PartsOrder		12	SEP0094AA	LCD IF P.C.B.	1	[PAVCX](RTL) E.S.D.
PartsOrder		13	SEP0096AA	MIC JACK P.C.B.	1	[PAVCX](RTL) E.S.D.
PartsOrder		21	VEK0U23	HOT SHOE UNIT	1	[PAVCX]
PartsOrder		22	SEP0098AA	MULTI FPC UNIT	1	[PAVCX]
PartsOrder		23	SKM0002K	MIC NET A	1	[PAVCX]
PartsOrder		24	VGQ8918	MIC TAPE	1	[PAVCX]
PartsOrder		25	SGQ0066	MIC NET B	1	[PAVCX]
PartsOrder		26	SGQ0072	MIC CUSHION TOP	1	[PAVCX]
PartsOrder		27	SYK0363	TOP CASE UNIT	1	[PAVCX]
PartsOrder		28	VMC2111	SHOE SPRING	1	[PAVCX]
PartsOrder		29	SKK0088K	FLASH CASE TOP	1	[PAVCX]
PartsOrder		30	SYK0356	FLASH CASE UNIT	1	[PAVCX]
PartsOrder		31	SGU0021	FLASH LOCK KNOB	1	[PAVCX]
PartsOrder		32	VGQ0Q83	TOP FPC TAPE B	1	[PAVCX]
PartsOrder		33	SMP0013	HOT SHOE PLATE A	1	[PAVCX]
PartsOrder		34	SMP0033	HOT SHOE PLATE B	1	[PAVCX]
PartsOrder		35	SMP0012	FLASH EARTH PLATE	1	[PAVCX]
PartsOrder		36	SGQ0076	CAPACITOR COVER	1	[PAVCX]
PartsOrder		37	F9Z000000038	E.CAPACITOR	1	[PAVCX](C8003)
PartsOrder		38	N4ECY25Y0002	BUTTON BATTERY	1	[PAVCX](B8001)
PartsOrder		39	SGQ0067	FLASH WIRE COVER	1	[PAVCX]
PartsOrder		40	SYQ0071	LVF COVER UNIT	1	[PAVCX]
PartsOrder		41	SYQ0070	LVF UNIT	1	[PAVCX]
PartsOrder		42	SEQ0022	JOINT FPC UNIT	1	[PAVCX]
PartsOrder		43	SMC0016	REAR EARTH PLATE	1	[PAVCX]
PartsOrder		44	SGQ0128	REAR OPERATION TAPE	1	[PAVCX]
PartsOrder		45	K0RB01500004	REAR OPERATION UNIT	1	[PAVCX]
PartsOrder		51	SKK0090K	LCD CASE TOP	1	[PAVCX]
PartsOrder		52	L5BDDYY00126	LCD	1	[PAVCX]
PartsOrder		53	SMP0006	LCD BEZEL	1	[PAVCX]
PartsOrder		54	SGQ0075	LCD BEZEL SHEET	1	[PAVCX]
PartsOrder		55	SKK0091K	LCD CASE BOTTOM	1	[PAVCX]

PartsOrder	Change	Ref.No.	Part No.	Part Name & Description	Quantity	Remarks
PartsOrder		56	SYK0422	REAR CASE UNIT	1	[PAVCX]
PartsOrder		56-1	SEP0104AA	HINGE FPC UNIT	1	[PAVCX]
PartsOrder		57	SGQ0056	GRIP PIECE REAR	1	[PAVCX]
PartsOrder		58	SYK0366	EYE CAP UNIT	1	[PAVCX]
PartsOrder		71	SYK0359	LENS RING UNIT	1	[PAVCX]
PartsOrder		72	SGQ0054	GRIP PIECE FRONT L	1	[PAVCX]
PartsOrder		73	SYQ0107	FRONT CASE UNIT	1	[PAVCX]
PartsOrder		74	SYQ0084	GRIP PIECE FRONT R UNIT	1	[PAVCX]
PartsOrder		75	SKF0008K	MIC COVER	1	[PAVCX]
PartsOrder		76	SJD0006	LENS HOLDER PLATE	1	[PAVCX]
PartsOrder		77	SGQ0057	MIC HOLDER	1	[PAVCX]
PartsOrder		78	SMP0007	MIC JACK EARTH PLATE	1	[PAVCX]
PartsOrder		79	SMP0008	SIDE FRAME R	1	[PAVCX]
PartsOrder		81	SYQ0135	BATTERY CASE UNIT	1	[PAVCX]
PartsOrder		82	SKF0011K	JACK COVER	1	[PAVCX]
PartsOrder		83	VMB4409	BATTERY OUT SPRING	1	[PAVCX]
PartsOrder		84	SKF0010K	COUPLER COVER	1	[PAVCX]
PartsOrder		85	SYK0368	BATTERY DOOR UNIT	1	[PAVCX]
PartsOrder		86	SMB0038	BATTERY DOOR SPRING	1	[PAVCX]
PartsOrder		87	VMS8026	BATTERY DOOR SHAFT	1	[PAVCX]
PartsOrder		88	SMP0018	BATTERY PLATE B	1	[PAVCX]
PartsOrder		89	VMB4199	BATTERY LOCK SPRING	1	[PAVCX]
PartsOrder		90	VGU0M45	BATTERY LOCK KNOB	1	[PAVCX]
PartsOrder		B1	VHD1870	SCREW	1	
PartsOrder		B2	VHD1870	SCREW	1	
PartsOrder		B3	VHD1870	SCREW	1	
PartsOrder		B4	VHD1870	SCREW	1	
PartsOrder		B5	VHD1870	SCREW	1	
PartsOrder		B6	VHD1870	SCREW	1	
PartsOrder		B7	VHD1870	SCREW	1	
PartsOrder		B8	VHD1870	SCREW	1	
PartsOrder		B9	VHD2178	SCREW	1	
PartsOrder		B10	VHD2178	SCREW	1	
PartsOrder		B11	VHD2333	SCREW	1	
PartsOrder		B12	VHD2333	SCREW	1	
PartsOrder		B13	VHD2438	SCREW	1	
PartsOrder		B14	VHD2438	SCREW	1	
PartsOrder		B15	VHD2438	SCREW	1	
PartsOrder		B16	XQN14+BJ10FN	SCREW	1	
PartsOrder		B17	XTV2+8JFN	SCREW	1	
PartsOrder		B18	XTV2+8JFN	SCREW	1	
PartsOrder		B19	XTV2+8JFN	SCREW	1	
PartsOrder		B20	XTV2+8JFN	SCREW	1	
PartsOrder		B31	VHD1870	SCREW	1	[PAVCX]
PartsOrder		B32	VHD1870	SCREW	1	[PAVCX]
PartsOrder		B33	VHD1870	SCREW	1	[PAVCX]
PartsOrder		B34	VHD2291	SCREW	1	[PAVCX]
PartsOrder		B35	VHD2291	SCREW	1	[PAVCX]
PartsOrder		B36	VHD2291	SCREW	1	[PAVCX]

PartsOrder	Change	Ref.No.	Part No.	Part Name & Description	Quantity	Remarks
PartsOrder		B37	VHD2291	SCREW	1	[PAVCX]
PartsOrder		B38	VHD2476	SCREW	1	[PAVCX]
PartsOrder		B39	VHD2476	SCREW	1	[PAVCX]
PartsOrder		B40	VHD2476	SCREW	1	[PAVCX]
PartsOrder		B41	VHD2476	SCREW	1	[PAVCX]
PartsOrder		B42	VHD2476	SCREW	1	[PAVCX]
PartsOrder		B43	VHD1870	SCREW	1	[PAVCX]
PartsOrder		B44	VHD1870	SCREW	1	[PAVCX]
PartsOrder		B45	VHD1870	SCREW	1	[PAVCX]
PartsOrder		B46	VHD1870	SCREW	1	[PAVCX]
PartsOrder		B47	VHD1870	SCREW	1	[PAVCX]
PartsOrder		B48	VHD1870	SCREW	1	[PAVCX]
PartsOrder		B49	VHD1870	SCREW	1	[PAVCX]
PartsOrder		B50	VHD1870	SCREW	1	[PAVCX]
PartsOrder		B51	VHD1870	SCREW	1	[PAVCX]
PartsOrder		B52	VHD2178	SCREW	1	[PAVCX]
PartsOrder		B53	VHD2178	SCREW	1	[PAVCX]
PartsOrder		B54	VHD2305	SCREW	1	[PAVCX]
PartsOrder		B55	VHD2438	SCREW	1	[PAVCX]
PartsOrder		B56	XQN16+BJ4FN	SCREW	1	[PAVCX]
PartsOrder		B57	XQN16+BJ4FN	SCREW	1	[PAVCX]
PartsOrder		B58	VHD2369	SCREW	1	[PAVCX]
PartsOrder		B59	VHD2369	SCREW	1	[PAVCX]
PartsOrder		B60	VHD2369	SCREW	1	[PAVCX]
PartsOrder		B61	VHD2369	SCREW	1	[PAVCX]
PartsOrder		B62	VHD2369	SCREW	1	[PAVCX]
PartsOrder		B63	VHD2369	SCREW	1	[PAVCX]
PartsOrder		B64	VHD2179	SCREW	1	[PAVCX]
PartsOrder		B65	VHD2179	SCREW	1	[PAVCX]
PartsOrder		B66	VHD2333	SCREW	1	[PAVCX]
PartsOrder		B67	VHD2333	SCREW	1	[PAVCX]
PartsOrder		B68	VHD2369	SCREW	1	[PAVCX]
PartsOrder		B69	VHD2369	SCREW	1	[PAVCX]
PartsOrder		B70	VHD2369	SCREW	1	[PAVCX]
PartsOrder		B71	VHD2369	SCREW	1	[PAVCX]
PartsOrder		B72	VHD2291	SCREW	1	[PAVCX]
PartsOrder		B73	VHD2291	SCREW	1	[PAVCX]
PartsOrder		B74	VHD2369	SCREW	1	[PAVCX]
PartsOrder		B75	VHD2369	SCREW	1	[PAVCX]
PartsOrder		B76	VHD2178	SCREW	1	[PAVCX]
PartsOrder		B77	VHD2178	SCREW	1	[PAVCX]
PartsOrder		100	SXW0016	LENS UNIT (W/O MOS)	1	
PartsOrder		101	SEQ0019	MOS UNIT	1	
PartsOrder		102	SXP0058	1ST LENS FRAME UNIT	1	
PartsOrder		103	SXP0008	2ND LENS FRAME UNIT	1	
PartsOrder		104	SXP0009	3RD LENS FRAME UNIT	1	
PartsOrder		105	SXQ0057	MIDDLE FRAME UNIT	1	
PartsOrder		106	SDW0039K	CAM FRAME	1	
PartsOrder		107	SXP0013	5TH LENS FRAME UNIT	1	

PartsOrder	Change	Ref.No.	Part No.	Part Name & Description	Quantity	Remarks
PartsOrder		108	SDW0042K	MASTER FLANGE	1	
PartsOrder		109	SEM0006	ZOOM MOTOR	1	
PartsOrder		110	SEQ0012	LENS FPC UNIT	1	
PartsOrder		111	SZT0042	FPC TAPE A	1	
PartsOrder		112	SZT0043	FPC TAPE B	1	
PartsOrder		113	VMB4541	TILT SPRING	1	
PartsOrder		114	VMB4541	TILT SPRING	1	
PartsOrder		115	VMB4541	TILT SPRING	1	
PartsOrder		B101	VHD1974	SCREW	1	
PartsOrder		B102	VHD1974	SCREW	1	
PartsOrder		B103	VHD1974	SCREW	1	
PartsOrder		B104	VHD1974	SCREW	1	
PartsOrder		B105	VHD1974	SCREW	1	
PartsOrder		B106	VHD1974	SCREW	1	
PartsOrder		B107	VHD1974	SCREW	1	
PartsOrder		B108	VHD1974	SCREW	1	
PartsOrder		B109	VHD2492	SCREW	1	
PartsOrder		B110	VHD2492	SCREW	1	
PartsOrder		B111	VHD2109	SCREW	1	
PartsOrder		B112	VHD2351	SCREW	1	
PartsOrder		B113	VHD2351	SCREW	1	
PartsOrder		B114	VHD2351	SCREW	1	
PartsOrder		200	VYF3522	HOT SHOE COVER	1	[PAVCX]
PartsOrder		201	SPF0012	CAMERA BAG	1	
PartsOrder		202	SPK0002	PACKING CASE	1	
PartsOrder		203	SPN0066	CUSHION A	1	
PartsOrder		204	SPN0067	CUSHION B	1	
PartsOrder		205	DE-A79BB	BATTERY CHARGER	1	P,PC
PartsOrder		205	DE-A80AD	BATTERY CHARGER	1	PU,EG,EP,EF,EB,EE,GN
PartsOrder		206	K1HY08YY0031	USB CABLE W/PLUG	1	
PartsOrder		207	----	BATTERY PACK	1	
PartsOrder		208	SFM0022	DVD(SOFT/INSTRUCTION BOOK)	1	P,PC,PU See "Notes"
PartsOrder		208	SFM0023	DVD(SOFT/INSTRUCTION BOOK)	1	EG,EP,EF,EB See "Notes"
PartsOrder		208	SFM0024	DVD(SOFT/INSTRUCTION BOOK)	1	EE,GN See "Notes"
PartsOrder		209	SQT0196	BASIC O/I (ENGLISH)	1	P,PC
PartsOrder		209	SQT0197	BASIC O/I (SPANISH)	1	P
PartsOrder		209	SQT0198	BASIC O/I (CANADIAN FRENCH)	1	PC
PartsOrder		209	SQT0199	BASIC O/I (SPANISH)	1	PU
PartsOrder		209	SQT0200	BASIC O/I (PORTUGUESE)	1	PU
PartsOrder		209	SQT0201	BASIC O/I (GERMAN)	1	EG
PartsOrder		209	SQT0202	BASIC O/I (FRENCH)	1	EG,EF
PartsOrder		209	SQT0203	BASIC O/I (ITALIAN)	1	EG
PartsOrder		209	SQT0204	BASIC O/I (DUTCH)	1	EG,EF
PartsOrder		209	SQT0205	BASIC O/I (SPANISH)	1	EG
PartsOrder		209	SQT0206	BASIC O/I (PORTUGUESE)	1	EG
PartsOrder		209	SQT0208	BASIC O/I (FINNISH)	1	EP

PartsOrder	Change	Ref.No.	Part No.	Part Name & Description	Quantity	Remarks
PartsOrder		209	SQT0209	BASIC O/I (DANISH)	1	EP
PartsOrder		209	SQT0210	BASIC O/I (SWEDISH)	1	EP
PartsOrder		209	SQT0211	BASIC O/I (POLISH)	1	EP
PartsOrder		209	SQT0212	BASIC O/I (CZECH)	1	EP
PartsOrder		209	SQT0213	BASIC O/I (HUNGARIAN)	1	EP
PartsOrder		209	SQT0214	BASIC O/I (ENGLISH)	1	EB
PartsOrder		209	SQT0215	BASIC O/I (RUSSIAN)	1	EE
PartsOrder		209	SQT0216	BASIC O/I (UKRAINIAN)	1	EE
PartsOrder		209	SQT0217	BASIC O/I (ENGLISH)	1	GN
PartsOrder		210	VPF1545	BAG, POLYETHYLENE	1	
PartsOrder		211	SYQ0081	LENS HOOD	1	
PartsOrder		212	SYQ0103	LENS CAP	1	
PartsOrder		213	VFC4453	SHOULDER STRAP	1	
PartsOrder		214	K2CA2CA00025	AC CORD W/PLUG	1	PU
PartsOrder		214	K2CQ2YY00082	AC CORD W/PLUG	1	EG,EP,EF,EE
PartsOrder		214	K2CT3YY00034	AC CORD W/PLUG	1	EB
PartsOrder		214	K2CJ2YY00052	AC CORD W/PLUG	1	GN
PartsOrder		215	VQL2C67-4	OPERATING LABEL	1	PC