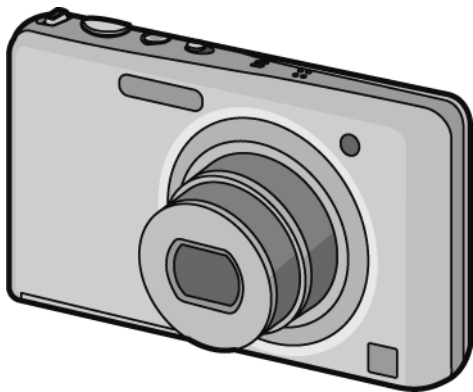


Service Manual

Digital Camera

LUMIX



Model No. **DMC-FX77EB**
DMC-FX77EE
DMC-FX77EF
DMC-FX77EG
DMC-FX77EP
DMC-FX77SG
DMC-FX78P
DMC-FX78PU
DMC-FX78GC
DMC-FX78GD
DMC-FX78GH
DMC-FX78GK
DMC-FX78GN
DMC-FX78GT

Vol. 1

Colour

[DMC-FX77]

(S).....Silver Type (only EB/EG/EP)
(K).....Black Type (except SG)
(N).....Gold Type (only SG)
(A).....Blue Type (only EE/EG/SG)
(P).....Pink Type (only EE/EG/SG)
(W).....White Type (only SG)

[DMC-FX78]

(S).....Silver Type (only GC/GH/GK/GN)
(K).....Black Type (except GN)
(N).....Gold Type (only P/GK/GT)
(A).....Blue Type (only P/GN)
(P).....Pink Type (except P/PU)
(W).....White Type (except PU/GD)

Panasonic[®]

© Panasonic Corporation 2011 Unauthorized copying and distribution is a violation of law.

WARNING

This service information is designed for experienced repair technicians only and is not designed for use by the general public. It does not contain warnings or cautions to advise non-technical individuals of potential dangers in attempting to service a product. Products powered by electricity should be serviced or repaired only by experienced professional technicians. Any attempt to service or repair the product or products dealt with in this service information by anyone else could result in serious injury or death.

TABLE OF CONTENTS


	PAGE	
1 Safety Precautions	3	
1.1. General Guidelines	3	
1.2. Leakage Current Cold Check	3	
1.3. Leakage Current Hot Check (See Figure 1.)	3	
1.4. How to Discharge the E.Capacitor on Flash Top P.C.B.	4	
2 Warning	5	
2.1. Prevention of Electrostatic Discharge (ESD) to Electrostatically Sensitive (ES) Devices	5	
2.2. How to Recycle the Lithium Ion Battery (U.S. Only)	5	
2.3. Caution for AC Cord(For EB/GC/GH)	6	
2.4. How to Replace the Lithium Battery	7	
3 Service Navigation	8	
3.1. Introduction	8	
3.2. General Description About Lead Free Solder (PbF)	8	
3.3. Important Notice 1:(Other than U.S.A. and Canadian Market)	8	
3.4. How to Define the Model Suffix (NTSC or PAL model)	9	
4 Specifications	13	
5 Location of Controls and Components	14	
6 Service Mode	18	
6.1. Error Code Memory Function	18	
7 Service Fixture & Tools	21	
7.1. Service Fixture and Tools	21	
7.2. When Replacing the Main P.C.B.	22	
7.3. Service Position	22	
8 Disassembly and Assembly Instructions	23	
8.1. Disassembly Flow Chart	23	
8.2. PCB Location	23	
8.3. Disassembly Procedure	24	
8.4. Lens Disassembly Procedure	29	
8.5. Assembly Procedure for the Lens	33	
8.6. Removal of the Focus Motor	36	
8.7. Removal of the CCD Unit	37	
8.8. The Application of Grease Method	37	
9 Measurements and Adjustments	38	
9.1. Introduction	38	
9.2. Before Disassembling the unit	38	
9.3. Details of Electrical Adjustment	40	
9.4. After Adjustment	44	
10 Maintenance	45	
10.1. Cleaning Lens and LCD Panel	45	

1 Safety Precautions

1.1. General Guidelines

1. IMPORTANT SAFETY NOTICE

There are special components used in this equipment which are important for safety. These parts are marked by

 in the Schematic Diagrams, Circuit Board Layout, Exploded Views and Replacement Parts List. It is essential that these critical parts should be replaced with manufacturer's specified parts to prevent X-RADIATION, shock, fire, or other hazards. Do not modify the original design without permission of manufacturer.

2. An Isolation Transformer should always be used during the servicing of AC Adaptor whose chassis is not isolated from the AC power line. Use a transformer of adequate power rating as this protects the technician from accidents resulting in personal injury from electrical shocks. It will also protect AC Adaptor from being damaged by accidental shorting that may occur during servicing.
3. When servicing, observe the original lead dress. If a short circuit is found, replace all parts which have been overheated or damaged by the short circuit.
4. After servicing, see to it that all the protective devices such as insulation barriers, insulation papers shields are properly installed.
5. After servicing, make the following leakage current checks to prevent the customer from being exposed to shock hazards.

1.2. Leakage Current Cold Check

1. Unplug the AC cord and connect a jumper between the two prongs on the plug.
2. Measure the resistance value, with an ohmmeter, between the jumpered AC plug and each exposed metallic cabinet part on the equipment such as screwheads, connectors, control shafts, etc. When the exposed metallic part has a return path to the chassis, the reading should be between $1\text{ M}\Omega$ and $5.2\text{ M}\Omega$. When the exposed metal does not have a return path to the chassis, the reading must be infinity.

1.3. Leakage Current Hot Check (See Figure 1.)

1. Plug the AC cord directly into the AC outlet. Do not use an isolation transformer for this check.
2. Connect a $1.5\text{ k}\Omega$, 10 W resistor, in parallel with a $0.15\text{ }\mu\text{F}$ capacitor, between each exposed metallic part on the set and a good earth ground, as shown in Figure 1.
3. Use an AC voltmeter, with $1\text{ k}\Omega/\text{V}$ or more sensitivity, to measure the potential across the resistor.
4. Check each exposed metallic part, and measure the voltage at each point.
5. Reverse the AC plug in the AC outlet and repeat each of the above measurements.
6. The potential at any point should not exceed 0.75 V RMS . A leakage current tester (Simpson Model 229 or equivalent) may be used to make the hot checks, leakage current must not exceed $1/2\text{ mA}$. In case a measurement is outside of the limits specified, there is a possibility of a shock hazard, and the equipment should be repaired and rechecked before it is returned to the customer.

Hot-Check Circuit

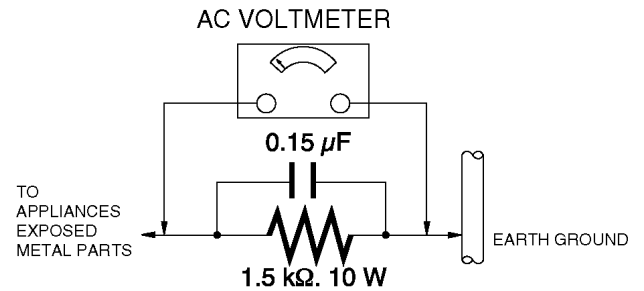


Figure. 1

1.4. How to Discharge the E.Capacitor on Flash Top P.C.B.

CAUTION:

1. Be sure to discharge the E.capacitor on FLASH TOP P.C.B..
2. Be careful of the high voltage circuit on FLASH TOP P.C.B. when servicing.

[Discharging Procedure]

1. Refer to the disassemble procedure and remove the necessary parts/unit.
2. Install the insulation tube onto the lead part of resistor (ERG5SJ102:1k Ω /5W).
(An equivalent type of resistor may be used.)
3. Place a resistor between both terminals of E.capacitor on the FLASH TOP P.C.B. for approx. 5 seconds.
4. After discharging, confirm that the E.capacitor voltage is lower than 10V by using a voltmeter.

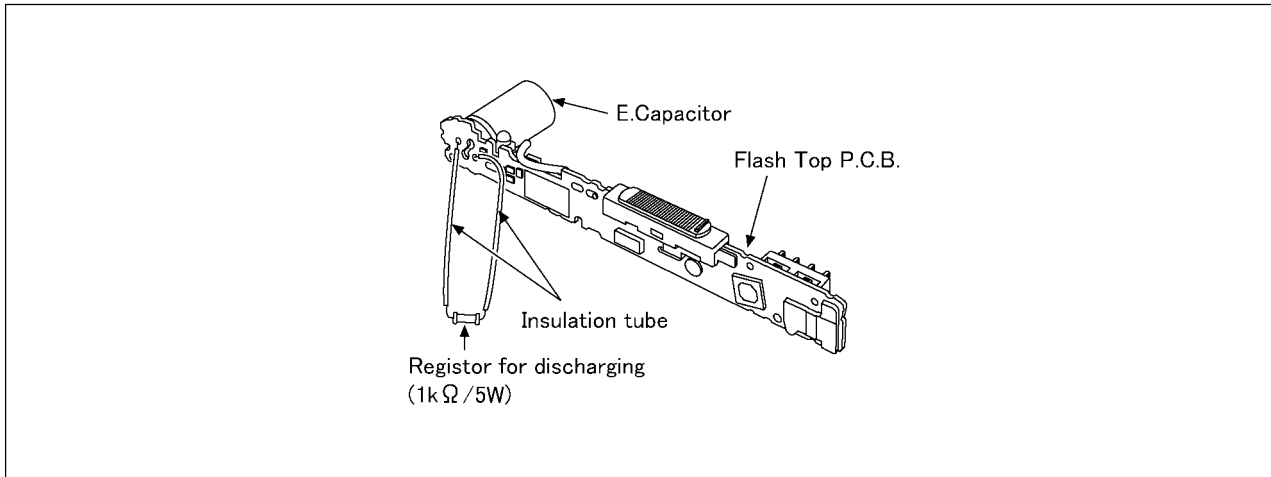


Fig. F1

2 Warning

2.1. Prevention of Electrostatic Discharge (ESD) to Electrostatically Sensitive (ES) Devices

Some semiconductor (solid state) devices can be damaged easily by static electricity. Such components commonly are called Electrostatically Sensitive (ES) Devices.

Examples of typical ES devices are CCD image sensor, IC (integrated circuits) and some field-effect transistors and semiconductor "chip" components.

The following techniques should be used to help reduce the incidence of component damage caused by electrostatic discharge (ESD).

1. Immediately before handling any semiconductor component or semiconductor-equipped assembly, drain off any ESD on your body by touching a known earth ground. Alternatively, obtain and wear a commercially available discharging ESD wrist strap, which should be removed for potential shock reasons prior to applying power to the unit under test.
2. After removing an electrical assembly equipped with ES devices, place the assembly on a conductive surface such as aluminum foil, to prevent electrostatic charge buildup or exposure of the assembly.
3. Use only a grounded-tip soldering iron to solder or unsolder ES devices.
4. Use only an antistatic solder removal device. Some solder removal devices not classified as "antistatic (ESD protected)" can generate electrical charge sufficient to damage ES devices.
5. Do not use freon-propelled chemicals. These can generate electrical charges sufficient to damage ES devices.
6. Do not remove a replacement ES device from its protective package until immediately before you are ready to install it. (Most replacement ES devices are packaged with leads electrically shorted together by conductive foam, aluminum foil or comparable conductive material).
7. Immediately before removing the protective material from the leads of a replacement ES device, touch the protective material to the chassis or circuit assembly into which the device will be installed.

CAUTION :

Be sure no power is applied to the chassis or circuit, and observe all other safety precautions.

8. Minimize bodily motions when handling unpackaged replacement ES devices. (Otherwise harmless motion such as the brushing together of your clothes fabric or the lifting of your foot from a carpeted floor can generate static electricity (ESD) sufficient to damage an ES device).

2.2. How to Recycle the Lithium Ion Battery (U.S. Only)

ENGLISH



A lithium ion battery that is recyclable powers the product you have purchased. Please call 1-800-8-BATTERY for information on how to recycle this battery.

FRANÇAIS



L'appareil que vous vous êtes procuré est alimenté par une batterie au lithium-ion recyclable. Pour des renseignements sur le recyclage de la batterie, veuillez composer le 1-800-8-BATTERY.

2.3. Caution for AC Cord (For EB/GC/GH)

2.3.1. Information for Your Safety

IMPORTANT

Your attention is drawn to the fact that recording of pre-recorded tapes or discs or other published or broadcast material may infringe copyright laws.

WARNING

To reduce the risk of fire or shock hazard, do not expose this equipment to rain or moisture.

CAUTION

To reduce the risk of fire or shock hazard and annoying interference, use the recommended accessories only.

FOR YOUR SAFETY

DO NOT REMOVE THE OUTER COVER

To prevent electric shock, do not remove the cover. No user serviceable parts inside. Refer servicing to qualified service personnel.

2.3.2. Caution for AC Mains Lead

For your safety, please read the following text carefully.

This appliance is supplied with a moulded three-pin mains plug for your safety and convenience.

A 5-ampere fuse is fitted in this plug.

Should the fuse need to be replaced please ensure that the replacement fuse has a rating of 5 amperes and it is approved by ASTA or BSI to BS1362

Check for the ASTA mark or the BSI mark on the body of the fuse.



If the plug contains a removable fuse cover you must ensure that it is refitted when the fuse is replaced.

If you lose the fuse cover, the plug must not be used until a replacement cover is obtained.

A replacement fuse cover can be purchased from your local Panasonic Dealer.

If the fitted moulded plug is unsuitable for the socket outlet in your home then the fuse should be removed and the plug cut off and disposed of safely.

There is a danger of severe electrical shock if the cut off plug is inserted into any 13-ampere socket.

If a new plug is to be fitted please observe the wiring code as shown below.

If in any doubt, please consult a qualified electrician.

2.3.2.1. Important

The wires in this mains lead are coloured in accordance with the following code:

Blue	Neutral
Brown	Live

As the colours of the wires in the mains lead of this appliance may not correspond with the coloured markings identifying the terminals in your plug, proceed as follows:

The wire which is coloured BLUE must be connected to the terminal in the plug which is marked with the letter N or coloured BLACK.

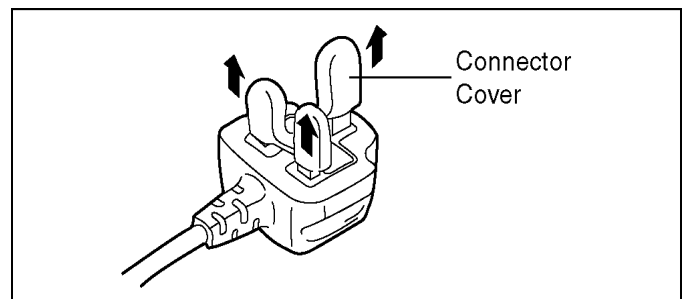
The wire which is coloured BROWN must be connected to the terminal in the plug which is marked with the letter L or coloured RED.

Under no circumstances should either of these wires be connected to the earth terminal of the three pin plug, marked with the letter E or the Earth Symbol.



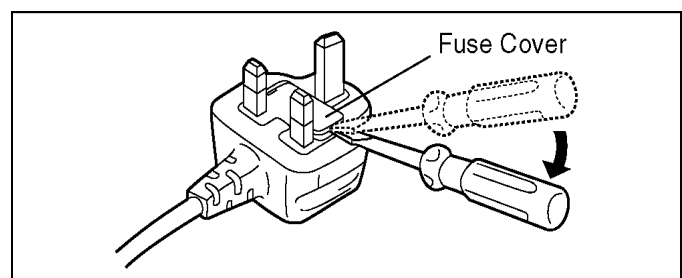
2.3.2.2. Before Use

Remove the Connector Cover as follows.

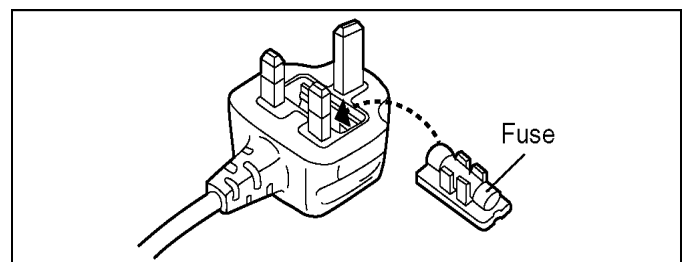


2.3.2.3. How to Replace the Fuse

1. Remove the Fuse Cover with a screwdriver.



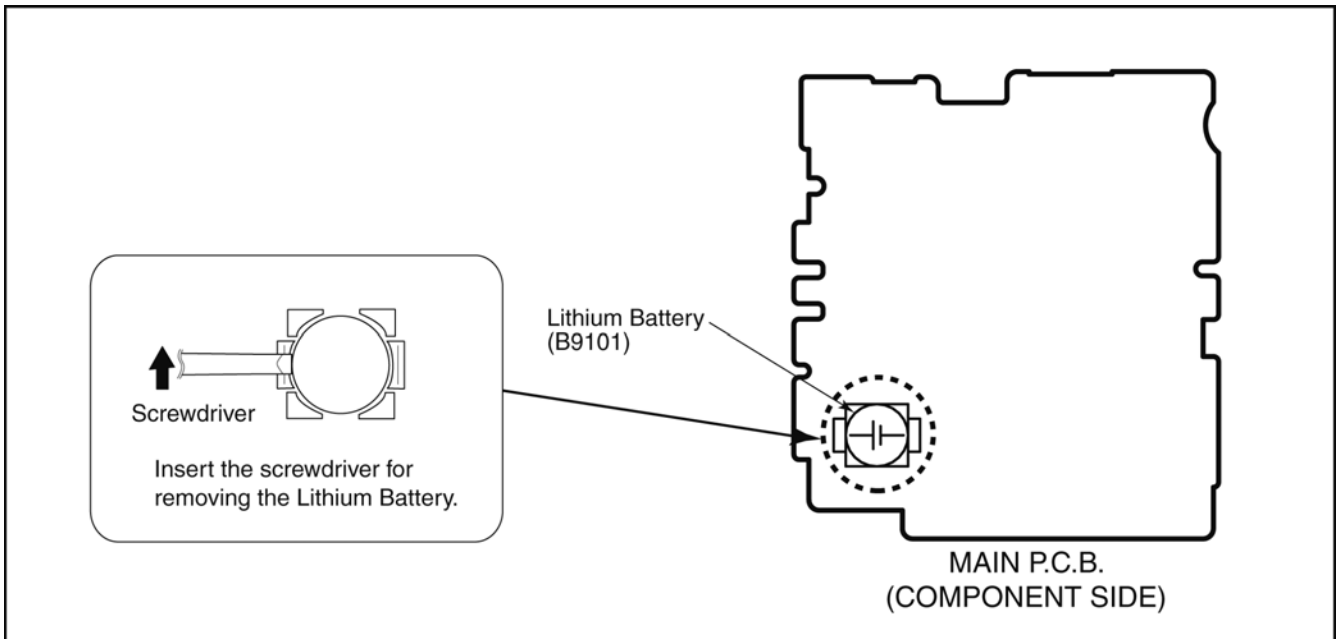
2. Replace the fuse and attach the Fuse cover.



2.4. How to Replace the Lithium Battery

2.4.1. Replacement Procedure

1. Remove the MAIN P.C.B.. (Refer to Disassembly Procedures.)
2. Remove the Lithium battery (Ref. No. "B9101" at component side of MAIN P.C.B.) and then replace it into new one.



NOTE:

This Lithium battery is a critical component.

(Type No.: ML421 **Manufactured by Energy Company, Panasonic Corporation.**)

It must never be subjected to excessive heat or discharge.

It must therefore only be fitted in requirement designed specifically for its use.

Replacement batteries must be of same type and manufacture.

They must be fitted in the same manner and location as the original battery, with the correct polarity contacts observed.

Do not attempt to re-charge the old battery or re-use it for any other purpose.

It should be disposed of in waste products destined for burial rather than incineration.

(For English)

CAUTION

Danger of explosion if battery is incorrectly replaced.

Replace only with the same or equivalent type recommended by the manufacturer.

Dispose of used batteries according to the manufacturer's instructions.

(For German)

ACHTUNG

Explosionsgefahr bei falschem Anbringen der Batterie. Ersetzen Sie nur mit einem äquivalentem vom Hersteller empfohlenem Typ.

Behandeln Sie gebrauchte Batterien nach den Anweisungen des Herstellers.

(For French)

MISE EN GARDE

Une batterie de remplacement inappropriée peut exploser. Ne remplacez qu'avec une batterie identique ou d'un type recommandé par le fabricant. L'élimination des batteries usées doit être faite conformément aux instructions du fabricant.

NOTE:

Above caution is applicable for a battery pack which is for DMC-FX77/78 series, as well.

3 Service Navigation

3.1. Introduction

This service manual contains technical information, which allow service personnel's to understand and service this model.

Please place orders using the parts list and not the drawing reference numbers.

If the circuit is changed or modified, the information will be followed by service manual to be controlled with original service manual.

3.2. General Description About Lead Free Solder (PbF)

The lead free solder has been used in the mounting process of all electrical components on the printed circuit boards used for this equipment in considering the globally environmental conservation.

The normal solder is the alloy of tin (Sn) and lead (Pb). On the other hand, the lead free solder is the alloy mainly consists of tin (Sn), silver (Ag) and Copper (Cu), and the melting point of the lead free solder is higher approx.30°C (86°F) more than that of the normal solder.

Distinction of P.C.B. Lead Free Solder being used

The letter of "PbF" is printed either foil side or components side on the P.C.B. using the lead free solder.(See right figure)
--

PbF

Service caution for repair work using Lead Free Solder (PbF)

- The lead free solder has to be used when repairing the equipment for which the lead free solder is used.
(Definition: The letter of "PbF" is printed on the P.C.B. using the lead free solder.)
- To put lead free solder, it should be well molten and mixed with the original lead free solder.
- Remove the remaining lead free solder on the P.C.B. cleanly for soldering of the new IC.
- Since the melting point of the lead free solder is higher than that of the normal lead solder, it takes the longer time to melt the lead free solder.
- Use the soldering iron (more than 70W) equipped with the temperature control after setting the temperature at 350±30°C (662±86°F).

Recommended Lead Free Solder (Service Parts Route.)

- The following 3 types of lead free solder are available through the service parts route.
 - RFKZ03D01KS----- (0.3mm 100g Reel)
 - RFKZ06D01KS----- (0.6mm 100g Reel)
 - RFKZ10D01KS----- (1.0mm 100g Reel)

Note

* Ingredient: tin (Sn) 96.5%, silver (Ag) 3.0%, Copper (Cu) 0.5%, Cobalt (Co) / Germanium (Ge) 0.1 to 0.3%

3.3. Important Notice 1:(Other than U.S.A. and Canadian Market)

1. The service manual does not contain the following information because of issues servicing to component level without necessary equipment/facilities.
 - a. Schematic diagram, Block Diagram and P.C.B. layout of MAIN P.C.B..
 - b. Parts list for individual parts for MAIN P.C.B..

When a part replacement is required for repairing MAIN P.C.B., replace as an assembled parts. (MAIN P.C.B.)

2. The following category is/are recycle module part. please send it/them to Central Repair Center.
 - MAIN P.C.B. (VEP56123A : EE/SG/P/PU/GC/GH/GT/GK/GN/GD): Excluding replacement of Lithium Battery
 - MAIN P.C.B. (VEP56123B : EG/EP/EF/EB): Excluding replacement of Lithium Battery

3.4. How to Define the Model Suffix (NTSC or PAL model)









There are nine kinds of DMC-FX77/78, regardless of the colours.

- a) DMC-FX77 (Japan domestic model), FX77SG
- b) DMC-FX78P
- c) DMC-FX77EB/EF/EG/EP
- d) DMC-FX77EE
- e) DMC-FX78GT
- f) DMC-FX78GK
- g) DMC-FX78GD
- h) DMC-FX78GN
- i) DMC-FX78PU/GC/GH

What is the difference is that the "INITIAL SETTINGS" data which is stored in Flash-ROM mounted on MAIN P.C.B..

3.4.1. Defining methods:

To define the model suffix to be serviced, refer to the nameplate which is putted on the bottom side of the Unit.

<p>a) DMC-FX77 (Japan domestic model), DMC-FX77SG The nameplate for these models show the following Safety registration mark.</p> 
<p>b) DMC-FX78P The nameplate for this model shows the following Safety registration mark.</p> 
<p>c) DMC-FX77EB/EF/EG/EP The nameplate for these models show the following Safety registration mark.</p> 
<p>d) DMC-FX77EE The nameplate for this model shows the following Safety registration mark.</p> 
<p>e) DMC-FX78GT The nameplate for this model shows the following Safety registration mark.</p> 
<p>f) DMC-FX78GK The nameplate for this model shows the following Safety registration mark.</p> 
<p>g) DMC-FX78GD The nameplate for this model shows the following Safety registration mark.</p> 
<p>h) DMC-FX78GN The nameplate for this model shows the following Safety registration mark.</p> 
<p>i) DMC-FX78PU/GC/GH The nameplate for these models do not show any above Safety registration mark.</p>

NOTE:

After replacing the MAIN P.C.B., be sure to achieve adjustment.

The service software is available at "TSN Website". To download, click on "Support Information from NWBG/VDBG-AVC".

3.4.2. INITIAL SETTINGS:

After replacing the MAIN P.C.B., be sure to perform the initial settings after achieving the adjustment by ordering the following procedure in accordance with model suffix of the unit.

1. IMPORTANT NOTICE:

Before proceeding Initial settings, be sure to read the following CAUTIONS.

CAUTION 1:(INITIAL SETTINGS)

---AFTER REPLACING THE MAIN P.C.B. and/or FLASH-ROM ---

[Except "EG, EF, EB and EP" models : (VEP56123A is used as a Main P.C.B.)]

*.The model suffix can be chosen **JUST ONE TIME.**

(Effective model suffix : " P/EG/PU/GD/GC/GT/GK/EF/EB/EE/GN/SG/GH/EP and NONE (JAPAN)")

*.Once one of the model suffix has been chosen, the model suffix lists will not be displayed, thus, it can not be changed.

[Only for "EG, EF, EB and EP" models : (VEP56123B is used as a Main P.C.B.)]

*.From the beginning, only "EG, EF, EB and EP" are displayed as model suffix lists, and these are displayed from the second times as well.

CAUTION 2:(Stored picture image data in the unit)

This unit employs "Built-in Memory" for picture image data recording.(Approx.70MB)

After proceeding "INITIAL SETTINGS", the picture image data stored in the unit is erased.

2. PROCEDURES:

• Precautions: Read the above "CAUTION 1" and "CAUTION 2", carefully.

• Preparation:

1. Attach the Battery or AC Adaptor with a DC coupler to the unit.
(Since this unit has built-in memory, it can be performed without inserting SD memory card.)
2. Slide the lens cover fully downward.
3. Select with the touch panel in order to [REC] mode and [NORMAL PICTURE] mode.
4. Turn off the power by pressing the power button which is located on the top case unit.
(If the unit is other than [NORMAL PICTURE] mode, it does not display the initial setting menu.)

• **Step 1. The temporary cancellation of "INITIAL SETTINGS":**

While pressing "W side of [ZOOM LEVER]", [SHUTTER BUTTON] and touch the screen (Any position of the screen is acceptable) simultaneously, turn the power on.

• **Step 2. The cancellation of "INITIAL SETTINGS":**

1. Select with the touch panel to [PLAYBACK] mode.
2. Touch Setup after touching MENU. Then, find and select Ver..
3. Touch near the center of screen, while [SHUTTER BUTTON] is pressed halfway.
4. Turn the power off.

The LCD displays the "!" mark before the unit powers down.



• **Step 3. Turn the Power on:**

Turn the Power on.

• **Step 4. Display the INITIAL SETTING:**

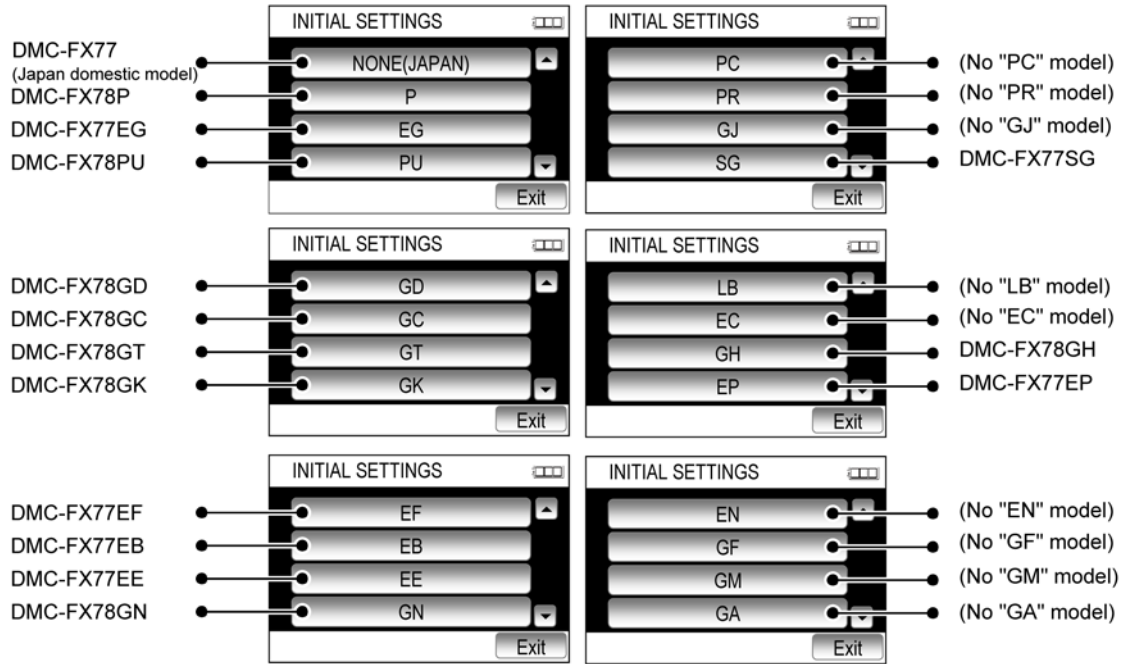
Display "Clock Set" screen, and then move the [ZOOM LEVER] to "T" side, turn the power off.

The "INITIAL SETTINGS" menu is displayed.

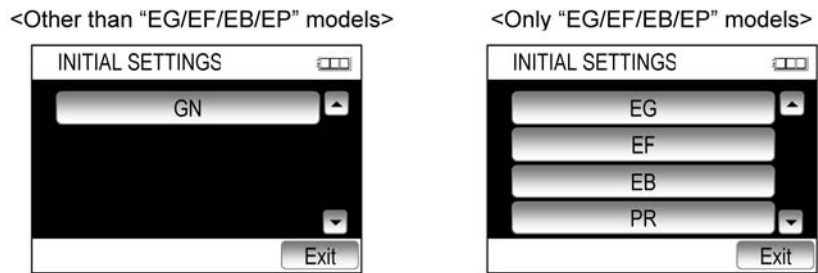
There are two kinds of "INITIAL SETTINGS" menu form as follows:

[CASE 1. After replacing MAIN P.C.B.]

When MAIN P.C.B. has just been replaced, all of the model suffix is displayed as follows. (Six pages in total)



[CASE 2. Other than "After replacing MAIN P.C.B."]



• Step 5. Choose the model suffix in "INITIAL SETTINGS": (Refer to "CAUTION 1")

[Caution: After replacing MAIN P.C.B.]

The model suffix can be chosen, **JUST ONE TIME**.

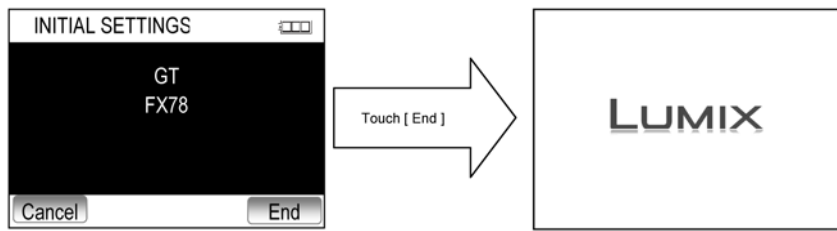
Once one of the model suffix have been chosen, the model suffix lists will not be displayed, thus, it can not be changed.

Therefore, select the area carefully.

Select the area with touch panel.

- **Step 6. Set the model suffix in “INITIAL SETTINGS”:**

- The only set area is displayed, and then press the “[End] of Cursor buttons” after confirmation.
(The unit is powered off automatically.)



- **Step 7. CONFIRMATION:**

Confirm the display of “PLEASE SET THE CLOCK” in concerned language when the unit is turned on again.

When the unit is connected to PC with USB cable, it is detected as removable media.

(When the “GT” or “GK” model suffix is selected, the display shows “PLEASE SET THE CLOCK” in Chinese.)

1) As for your reference, major default setting condition is as shown in the following table.

- **Default setting (After “INITIAL SETTINGS”)**

	MODEL	VIDEO OUTPUT	LANGUAGE	DATE	REMARKS
a)	DMC-FX77 (Japan domestic model)	NTSC	Japanese	Year/Month/Date	
b)	DMC-FX78P	NTSC	English	Month/Date/Year	
c)	DMC-FX77EG	PAL	English	Date/Month/Year	
d)	DMC-FX78PU	NTSC	Spanish	Month/Date/Year	
e)	DMC-FX78GD	NTSC	Korea	Year/Month/Date	
f)	DMC-FX78GC	PAL	English	Date/Month/Year	
g)	DMC-FX78GT	NTSC	Chinese (traditional)	Year/Month/Date	
h)	DMC-FX78GK	PAL	Chinese (simplified)	Year/Month/Date	
i)	DMC-FX77EF	PAL	French	Date/Month/Year	
j)	DMC-FX77EB	PAL	English	Date/Month/Year	
k)	DMC-FX77EE	PAL	Russian	Date/Month/Year	
l)	DMC-FX78GN	PAL	English	Date/Month/Year	
m)	DMC-FX77SG	PAL	English	Date/Month/Year	
n)	DMC-FX78GH	PAL	English	Date/Month/Year	
o)	DMC-FX77EP	PAL	English	Date/Month/Year	

4 Specifications

Digital Camera:

Information for your safety

Power Source:	DC 5.1 V	
Power Consumption:	1.6 W (When recording) 0.9 W (When playing back)	
Camera effective pixels	12,100,000 pixels	
Image sensor	1/2.33" CCD, total pixel number 12,500,000 pixels, Primary color filter	
Lens	Optical 5× zoom, f=4.3 mm to 21.5 mm (35 mm film camera equivalent: 24 mm to 120 mm)/F2.5 to F5.9	
Digital zoom	Max. 4×	
Extended optical zoom	Max. 9.8× (When set to 3,000,000 pixels [3M] or less)	
Focus range	Normal	50 cm (1.64 feet) (Wide)/1 m (3.28 feet) (Tele) to ∞
	Macro/ Intelligent auto/ Motion Picture	3 cm (0.10 feet) (Wide)/1 m (3.28 feet) (Tele) to ∞
	Scene Mode	There may be differences in the above settings.
Shutter system	Electronic shutter+Mechanical shutter	
Burst recording		
Burst speed	Approx. 3.7 pictures/second	
Number of recordable pictures	Max. 7 pictures	
Hi-speed burst		
Burst speed	Approx. 10 pictures/second (Speed priority) Approx. 6 pictures/second (Image priority) [3M (4:3), 2.5M (3:2), 2M (16:9) or 2.5M (1:1) is selected as the picture size.]	
Number of recordable pictures	Approx. 15 to 100 pictures	
Minimum Illumination	Approx. 6 lx (when i-low light is used, the shutter speed is 1/30th of a second)	
Shutter speed	8 seconds to 1/4000th of a second [Starry Sky] Mode: 15 seconds, 30 seconds, 60 seconds	
Exposure (AE)	Program AE Exposure compensation (1/3 EV Step, -2 EV to +2 EV)	
Metering mode	Multiple	
LCD monitor	3.5" TFT LCD (16:9) (Approx. 230,000 dots) (field of view ratio about 100%) Touch panel	
Flash range	Approx. 60 cm (1.97 feet) to 5.9 m (19.4 feet) (Wide, [ISO AUTO] is set)	
Microphone	Monaural	
Speaker	Monaural	
Recording media	Built-in Memory (Approx. 70 MB)/SD Memory Card/ SDHC Memory Card/SDXC Memory Card	
Recording file format		
Still Picture	JPEG (based on "Design rule for Camera File system", based on "Exif 2.3" standard)/DPOF corresponding/ MPO	
Motion pictures with audio	AVCHD/QuickTime Motion JPEG	

Interface	
Digital	"USB 2.0" (High Speed)
Analog video	NTSC
Audio	Audio line output (monaural)
Terminal	
[AV OUT/ DIGITAL]	Dedicated jack (8 pin)
[HDMI]	MiniHDMI TypeC
Dimensions (excluding the projecting parts)	Approx. 99.7 mm (W)×55.2 mm (H)×20.6 mm (D) [3.93"(W)×2.17"(H)×0.81"(D)]
Mass (weight)	Approx. 142 g/0.32 lb (with card and battery) Approx. 126 g/0.28 lb (excluding card and battery)
Operating temperature	0 °C to 40 °C (32 °F to 104 °F)
Operating humidity	10%RH to 80%RH
Language select	[ENGLISH]/[ESPAÑOL]

Battery Charger (Panasonic DE-A91B):

Information for your safety

Input:	~ 110 V to 240 V, 50/60 Hz, 0.2 A
Output:	===4.2 V, 0.43 A

Equipment mobility:

Movable

Battery Pack (lithium-ion) (Panasonic DMW-BCK7PP):

Information for your safety

Voltage/capacity:	3.6 V/680 mAh
--------------------------	---------------

NOTE:(Only for "EB/EF/EG/EP" models)

- Data from the PC can not be written to the camera using the USB connection cable.

Motion pictures

(Only "EB/EF/EG/EP" models:)

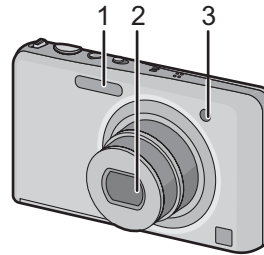
- Motion pictures can be recorded continuously for up to 29 minutes 59 seconds.

(Except "EB/EF/EG/EP" models:)

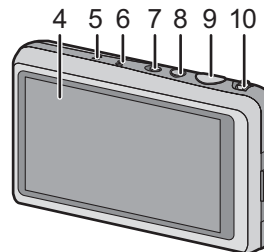
- Motion picture recorded continuously in [MOTION JPEG] or [HIGH SPEED MOVIE] in Scene Mode is up to 2 GB. Only the maximum recordable time for 2 GB is displayed on the screen.

5 Location of Controls and Components

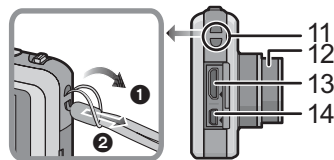
- 1 Flash
- 2 Lens
- 3 Self-timer indicator
AF Assist Lamp



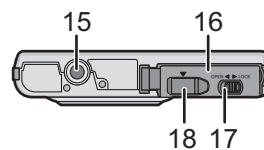
- 4 Touch panel/LCD monitor
- 5 Speaker
- 6 Microphone
- 7 Camera ON/OFF switch
- 8 Motion picture button
- 9 Shutter button
- 10 Zoom lever



- 11 Strap eyelet
 - Be sure to attach the strap when using the camera to ensure that you will not drop it.
- 12 Lens barrel
- 13 [HDMI] socket
- 14 [AV OUT/DIGITAL] socket





- 15 Tripod receptacle
- 16 Card/Battery door
- 17 Release lever



- 18 DC coupler cover
 - When using an AC adaptor, ensure that the Panasonic DC coupler and AC adaptor are used.
 - Always use a genuine Panasonic AC adaptor.
 - It is recommended to use a fully charged battery or AC adaptor and DC coupler when recording motion pictures.
 - If while recording motion pictures using the AC adaptor and the power supply is cut off due to a power outage or if the AC adaptor is disconnected etc., the motion picture being recorded will not be recorded.

How to Use the Touch Panel

This touch panel is a type that detects pressure.

Touch the screen To touch and release the touch panel.	Drag A movement without releasing the touch panel.
 <p>Use this to perform tasks such as selecting icons or images displayed on the touch panel.</p> <ul style="list-style-type: none"> It may not operate properly when multiple icons are touched simultaneously, so try to touch the center of the icon. 	 <p>This is used when performing tasks such as moving to the next image by dragging horizontally, or changing the range of the displayed image. This can also be used to perform tasks such as switching the screen by operating the slide bar.</p>

Note

- If you use a commercially available liquid crystal protection sheet, please follow the instructions that accompany the sheet. (Some liquid crystal protection sheets may impair visibility or operability.)
- Apply a little extra pressure** when touching if you have a commercially available protection sheet affixed or if you feel it is not responding well.
- Touch panel will not operate properly when the hand holding this unit is pressing on the touch panel.
- Do not press using anything with a sharp tip or anything hard, except for the supplied stylus pen.
- Do not operate with your fingernails.
- Wipe the LCD monitor with dry soft cloth when it gets dirty with finger prints and others.
- Do not scratch or press the LCD monitor too hard.



About the Stylus pen

- It is easier to use the stylus pen (supplied) for detailed operation or if it is hard to operate with your fingers.
- Do not place it where small children can reach.
 - Do not place the stylus pen on the LCD monitor when storing. LCD monitor may break when the stylus pen is pressed strongly against the LCD monitor.



Selecting the [Rec] Mode

1 Touch [].



2 Touch the mode icon.



■ List of [Rec] Modes

	Normal Picture Mode
The subjects are recorded using your own settings.	
	Intelligent Auto Mode
The subjects are recorded using settings automatically selected by the camera.	
	Scene Mode
This allows you to take pictures that match the scene being recorded.	
	3D Photo Mode
Takes a 3D picture.	
	Cosmetic Mode
Takes a picture adjusting the skin texture.	
	My Color Mode
Use this mode to check coloring effects, select a color mode from among 8 color modes, and then take pictures.	

[Rec] Mode:

Taking Pictures with Your Favorite Settings (Normal Picture Mode)

The camera automatically sets the shutter speed and the aperture value according to the brightness of the subject.

You can take pictures with greater freedom by changing various settings in the [Rec] menu.

1 Touch [].

2 Touch [].

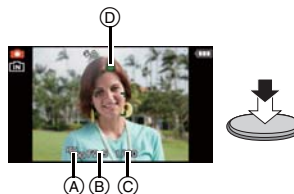


3 Aim the AF area at the point you want to focus on.

4 Press the shutter button halfway to focus.

- (A) ISO sensitivity
- (B) Aperture value
- (C) Shutter speed

- The focus indication (D) (green) lights when the subject is focused.
- The minimal distance (how close you can be to the subject) will change depending on the zoom factor. Please check with the recordable range display on the screen.
- Aperture value and shutter speed is displayed in red when correct exposure is not achieved. (Exclude when using a flash)



5 Press the halfway pressed shutter button fully to take a picture.




[Rec] Mode:     

Taking pictures using the Touch Shutter function


Just by touching the subject to focus, it will focus on the subject and take the picture automatically.

1 Touch .

- Icon will change to , and taking a picture with the Touch Shutter function becomes possible.



2 Touch the subject you wish to focus on, and then take a picture.

- AF area with same function as  in AF Mode is displayed at the position you touch, and a picture is taken when it is focused. (It cannot be set to edge of the screen)

3 Touch to cancel the Touch Shutter function.

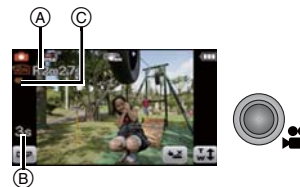
[Rec] Mode:    

Recording Motion Pictures

This can record full high definition motion pictures compatible with the AVCHD format or motion pictures recorded in Motion JPEG. Audio will be recorded in monaural.

1 Start recording by pressing the motion picture button.

- Ⓐ Available recording time
- Ⓑ Elapsed recording time
- You can record motion pictures fitting each Recording Mode.
- Release the motion picture button right after you press it.
- The recording state indicator (red) Ⓒ will flash while recording motion pictures.



2 Stop the recording by pressing the motion picture button again.

6 Service Mode

6.1. Error Code Memory Function

1. General description

This unit is equipped with history of error code memory function, and can be memorized 16 error codes in sequence from the latest. When the error is occurred more than 16, the oldest error is overwritten in sequence.

The error code is not memorized when the power supply is shut down forcibly (i.e., when the unit is powered on by the battery, the battery is pulled out) The error code is memorized to FLASH-ROM when the unit has just before powered off.

2. How to display

The error code can be displayed by ordering the following procedure:

• Preparation:

- Attach the Battery or AC Adaptor with a DC coupler to the unit.
- Slide the lens cover fully downward and turn off the power by pressing the power button which is located on the top case unit.

NOTE:

*Since this unit has built-in memory, it can be performed without inserting SD memory card.

• Step 1. The temporary cancellation of "INITIAL SETTINGS":

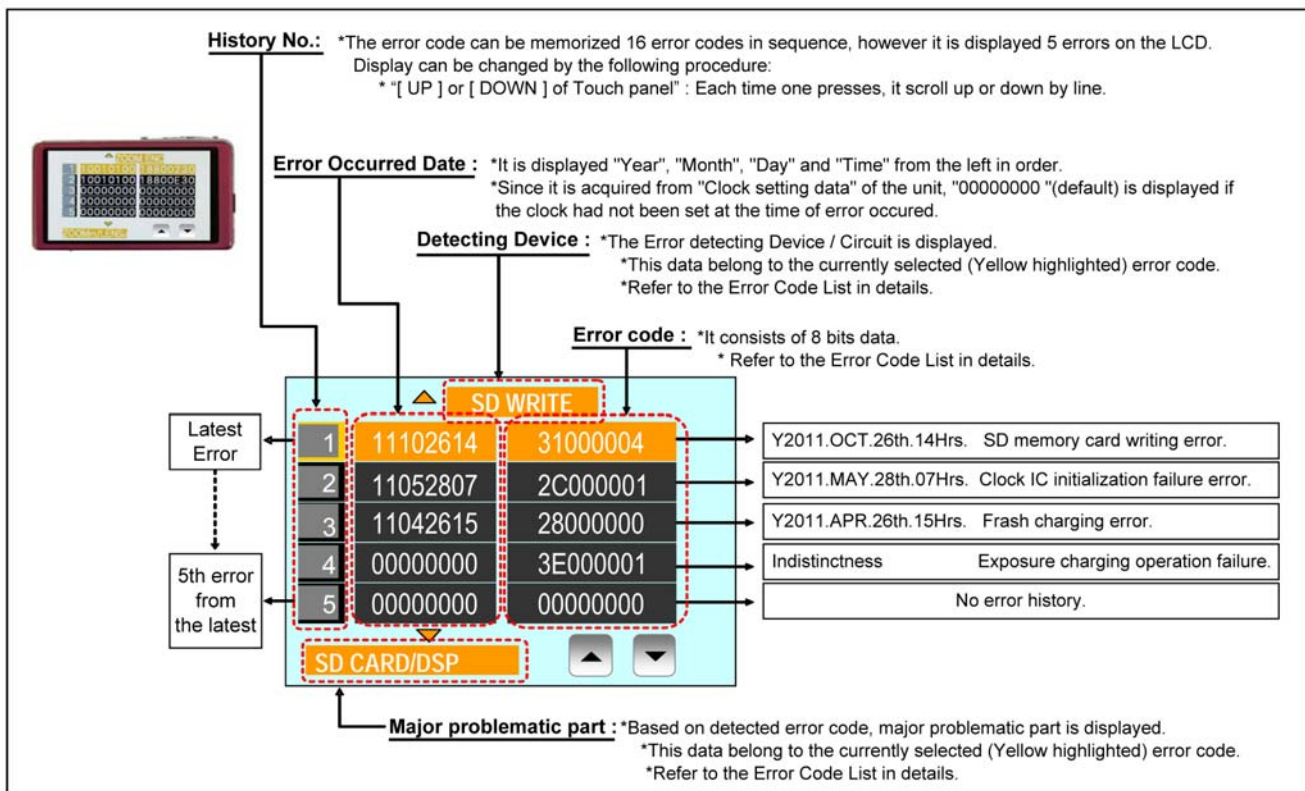
While pressing "W side of [ZOOM LEVER]", [SHUTTER BUTTON] and touch the screen (Any position of the screen is acceptable) simultaneously, turn the power on.

• Step 2. Execute the error code display mode:

Display [Version Disp.] screen in the state of Step 1, and then move the [ZOOM LEVER] to "W" side.

The display is changed as shown below when the moving to W side.

Version Disp. → Error code display → Operation history display → Version Disp. →



Example of Error Code Display

• 3. Error Code List

The error code consists of 8 bits data and it shows the following information.

Attribute	Main item	Sub item	Error code		Contents (Upper line)		Error Indication						
			High 4 bits	Low 4 bits	Problematic Part & Check point (Lower line)		Detecting device	Problematic Part/Circuit					
LENS	Lens drive	OIS	18*0	1000	PSD (X) error. Hall element (X axis) position detect error in OIS unit. OIS Unit	OIS X	LENSu NG						
				2000	PSD (Y) error. Hall element (Y axis) position detect error in OIS unit. OIS Unit	OIS Y							
				3000	GYRO (X) error. Gyro (IC7101: X axis) detect error on Sub P.C.B.. IC7101 (Gyro element) or IC6001 (VENUS FHD)	GYRO X		GYRO NG					
				4000	GYRO (Y) error. Gyro (IC7101: Y axis) detect error on Sub P.C.B.. IC7101 (Gyro element) or IC6001 (VENUS FHD)	GYRO Y							
				5000	MREF error (Reference voltage error). IC9101 (SYSTEM) or IC6001 (VENUS FHD)	OIS REF		LENSSd/DSP NG					
				6000	Drive voltage (X) error. LENS Unit, LENS flex breaks, IC6001 (VENUS FHD) AD value error, etc.	OISX REF		LENSu/LENS FPC					
			7000	Drive voltage (Y) error. LENS Unit, LENS flex breaks, IC6001 (VENUS FHD) AD value error, etc.	OISY REF								
			Zoom	0710	Collapsible barrel Low detect error (Collapsible barrel encoder always detects Low.) Mechanical lock, FP9002-(40) signal line or IC6001 (VENUS FHD)	ZOOM L	ZOOMm/LENSu						
					0720	Collapsible barrel High detect error (Collapsible barrel encoder always detects High.) Mechanical lock, FP9002-(40) signal line or IC6001 (VENUS FHD)		ZOOM H					
					0730	Zoom motor sensor error. Mechanical lock, FP9002-(7), (10) signal line or IC6001 (VENUS FHD)		ZOOM ENC					
				0740	Zoom motor sensor error. (During monitor mode.) Mechanical lock, FP9002-(7), (10) signal line or IC6001 (VENUS FHD)								
				0750	Zoom motor sensor error. (During monitor mode with slow speed.) Mechanical lock, FP9002-(7), (10) signal line or IC6001 (VENUS FHD)								
		Focus		0701	HP Low detect error (Focus encoder always detects High, and not becomes Low) Mechanical lock, FP9002-(40) signal line or IC6001 (VENUS FHD)	FOCUS L		LENS FPC/DSP					
			0702	HP High detect error (Focus encoder always detects Low, and not becomes High) Mechanical lock, FP9002-(40) signal line or IC6001 (VENUS FHD)	FOCUS H								
		Lens	18*1	0000	Power ON time out error. Lens drive system	LENS DRV	LENSu						
				18*2	0000			Power OFF time out error. Lens drive system					
		Adj. History	OIS	19*0	2000	OIS adj. Yaw direction amplitude error (small)	OIS ADJ	OIS ADJ					
					3000	OIS adj. Pitch direction amplitude error (small)							
					4000	OIS adj. Yaw direction amplitude error (large)							
					5000	OIS adj. Pitch direction amplitude error (large)							
					6000	OIS adj. MREF error							
					7000	OIS adj. time out error							
					8000	OIS adj. Yaw direction off set error							
					9000	OIS adj. Pitch direction off set error							
	A000				OIS adj. Yaw direction gain error								
	B000				OIS adj. Pitch direction gain error								
	C000				OIS adj. Yaw direction position sensor error								
	D000				OIS adj. Pitch direction position sensor error								
	E000				OIS adj. other error								
	HARD				VENUS A/D	Flash			28*0	0000	Flash charging error. IC6001-(AC16) signal line or Flash charging circuit	STRB CHG	STRB PCB/FPC
					FLASH ROM (EEPROM Area)	FLASH ROM (EEPROM Area)			2B*0	0001	EEPROM read error IC6002 (FLASH ROM)	FROM RE	FROM
										0002	EEPROM write error IC6002 (FLASH ROM)	FROM WR	FROM
0005		Firmware version up error Replace the firmware file in the SD memory card.	(No indication)	(No indication)									
0008		SDRAM error											
SYSTEM		RTC	2C*0	0001	SYSTEM IC initialize failure error Communication between IC6001 (VENUS FHD) and IC9101 (SYSTEM)	SYS INIT	MAIN PCB						
				0009	SDRAM Mounting defective								
SOFT		CPU	Reset	30*0	0001	NMI reset	NMI RST	MAIN PCB					
	0007				Non Mask-able Interrupt (30000001-30000007 are caused by factors)								
	Card	Card	31*0	0001	Card logic error SD memory card data line or IC6001 (VENUS FHD)	SD CARD	SD CARD/DSP						
				0002	Card physical error SD memory card data line or IC6001 (VENUS FHD)								
				0004	Write error SD memory card data line or IC6001 (VENUS FHD)	SD WRITE							
				39*0	0005	Format error		INMEMORY	FROM				
	CPU, ASIC hard	Stop	38*0	0001	Camera task finish process time out. Communication between Lens system and IC6001 (VENUS FHD)	LENS COM	LENSu/DSP						
				0002	Camera task invalid code error. IC6001 (VENUS FHD)	DSP	DSP						
				0100	File time out error in recording motion image IC6001 (VENUS FHD)								
				0200	File data cue send error in recording motion image IC6001 (VENUS FHD)								
				0300	Single or burst recording brake time out.								
				Memory area	3A*0	0008	USB work area partitioning failure USB dynamic memory securing failure when connecting	(No indication)	(No indication)				
	Operation	Power on	3B*0	0000	FLASH ROM processing early period of camera during movement.	INIT	(No indication)						
	Zoom	Zoom	3C*0	0000	Inperfect zoom lens processing Zoom lens	ZOOM	ZOOMm/LENSu						
				35*0	0000	Software error (0-7bit : command, 8-15bit : status)	DSP	DSP					
				35*1	0000	Though record preprocessing is necessary, it is not called.							
35*2				0000	Though record preprocessing is necessary, it is not completed.	(No indication)	(No indication)						

Important notice about "Error Code List"

1) About "*" indication:

The third digit from the left is different as follows.

- In case of 0 (example: 18001000)

When the third digit from the left shows "0", this error occurred under the condition of INITIAL SETTINGS has been completed.

It means that this error is occurred basically at user side.

- In case of 8 (example: 18801000)

When the third digit from the left shows "8", this error occurred under the condition of INITIAL SETTINGS has been released.

(Example; Factory assembling-line before unit shipment, Service mode etc.)

It means that this error is occurred at service side.

2) About "?" indication: ("18*0 0?01" to "18*0 0?50"):

The third digit from the right shows one of the hexadecimal ("0" to "F") character.

• 4. How to exit from Error Code display mode:

Simply, turn the power off. (Since Error code display mode is executed under the condition of temporary cancellation of "INITIAL SETTINGS", it wake up with normal condition when turn off the power.)

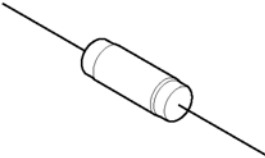
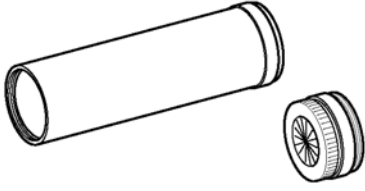
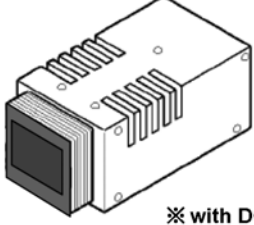
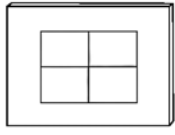


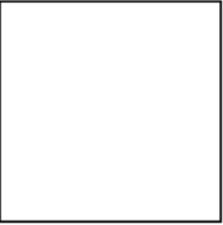

NOTE:

The error code can not be initialized.

7 Service Fixture & Tools

7.1. Service Fixture and Tools

The following Service Fixture and tools are used for checking and servicing this unit.

<p>Resistor for Discharging ERG5SJ102</p>	<p>Infinity Lens (with Focus Chart) VFK1164TCM02</p>	<p>LIGHT BOX RFKZ0523</p>
 <p>An equivalent type of Resistor may be used.</p>	 <p>* VFK1164TCM03 can be used. * RFKZ0422 can be used.</p>	 <p>※ with DC Cable * VFK1164TDVLB can be used.</p>
<p>TR Chart RFKZ0443</p>	<p>Lens Cleaning Kit (BK) VFK1900BK</p>	<p>Grease (for lens) RFKZ0472</p>
	 <p>* Only supplied as 10 set/box.</p>	
<p>ND FILTER (ND 1.5) VFK1164ND15</p>	<p>TOUCH PEN VGQ0C14</p>	
	 <p>VYQ4370 can be used.</p>	

7.2. When Replacing the Main P.C.B.

After replacing the MAIN P.C.B., be sure to achieve adjustment.

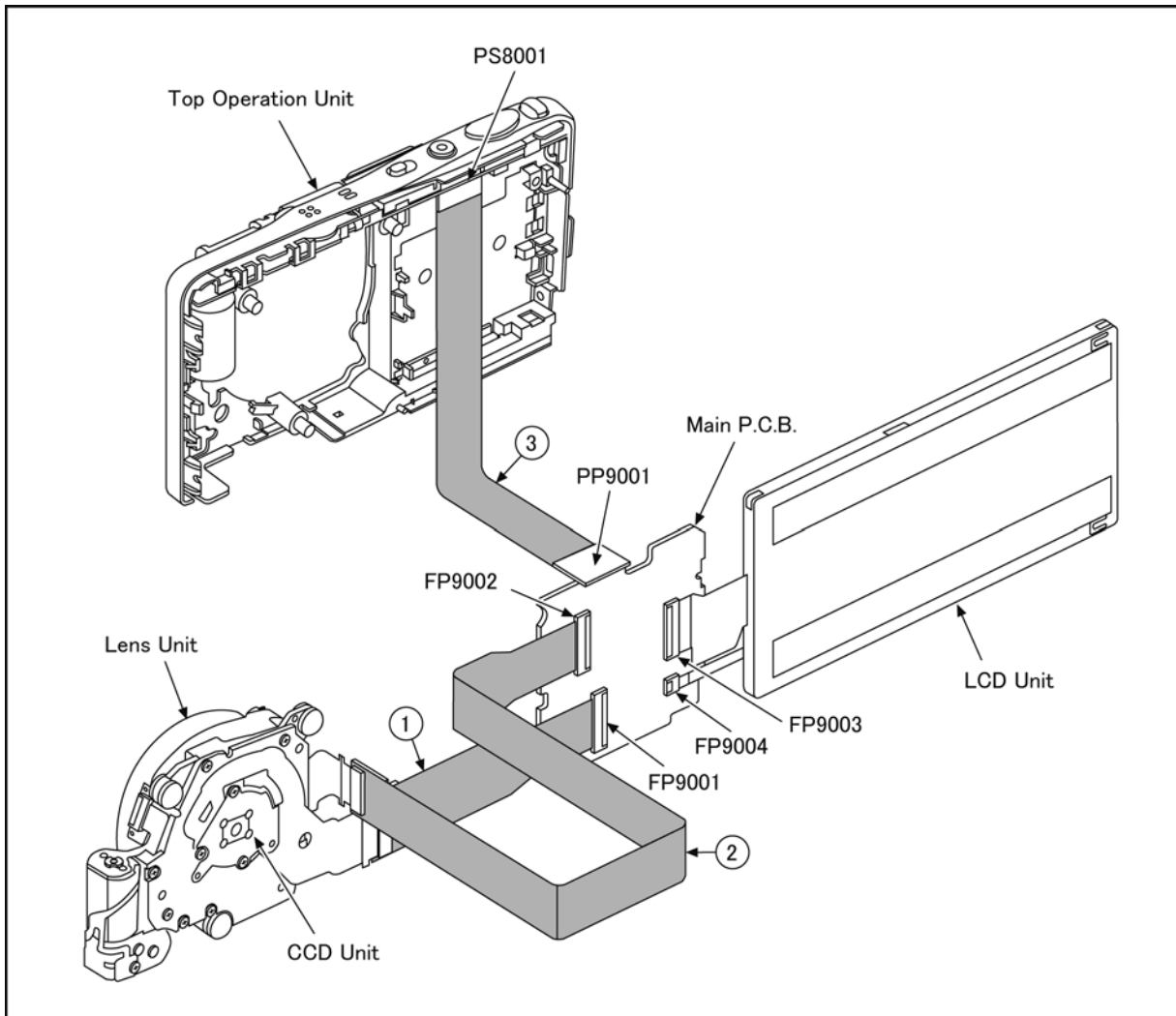
The adjustment instruction is available at “software download” on the “Support Information from NWBG/VDBG-AVC” web-site in “TSN system”, together with Maintenance software.

7.3. Service Position

This Service Position is used for checking and replacing parts. Use the following Extension cables for servicing.

Table S1 Extension Cable List

No.	Parts No.	Connection	Form
1	RFKZ0494	FP9001 (MAIN) - CCD UNIT	45PIN 0.3FFC
2	RFKZ0416	FP9002 (MAIN) - LENS UNIT	41PIN 0.3FFC
3	RFKZ0418	PP9001 (MAIN) - PS8001 (FLASH TOP)	30PIN B to B



CAUTION-1. (When servicing FLASH TOP P.C.B.)

1. Be sure to discharge the E.capacitor on FLASH TOP P.C.B..

Refer to “HOW TO DISCHARGE THE E.CAPACITOR ON FLASH TOP P.C.B.”.

The E.capacitor voltage is not lowered soon even if the AC Cord is unplugged or the battery is removed.

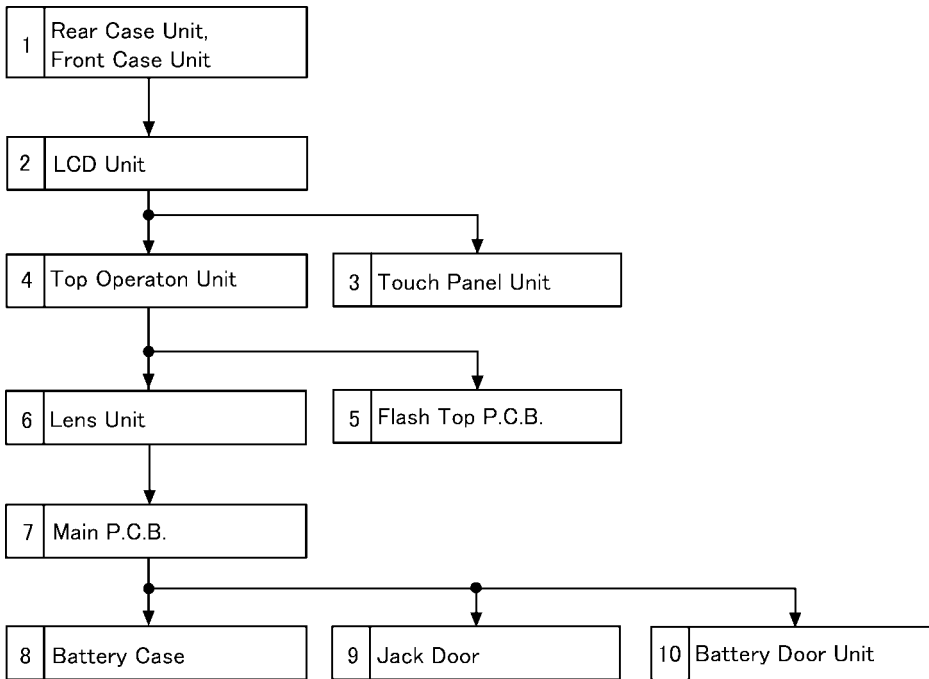
2. Be careful of the high voltage circuit on FLASH TOP P.C.B..
3. DO NOT allow other parts to touch the high voltage circuit on FLASH TOP P.C.B..

8 Disassembly and Assembly Instructions

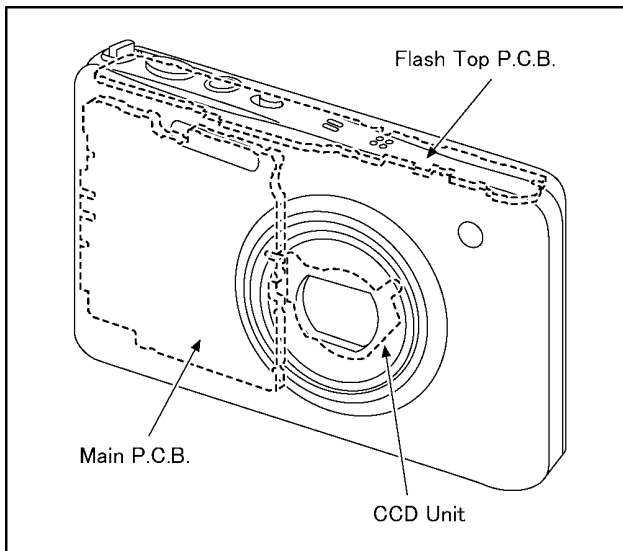
8.1. Disassembly Flow Chart

This is a disassembling chart.

When assembling, perform this chart conversely.



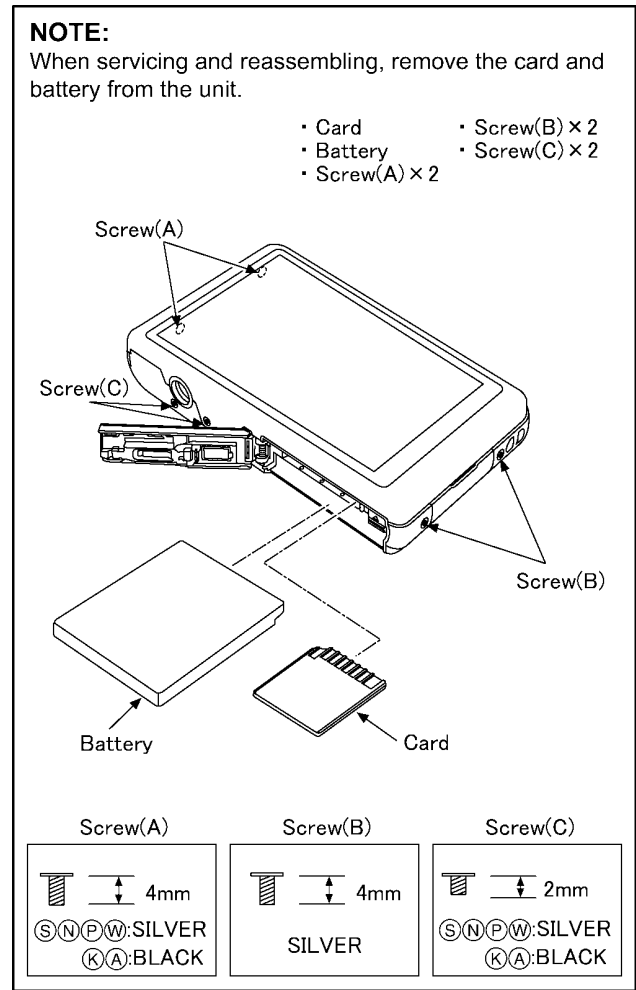
8.2. PCB Location



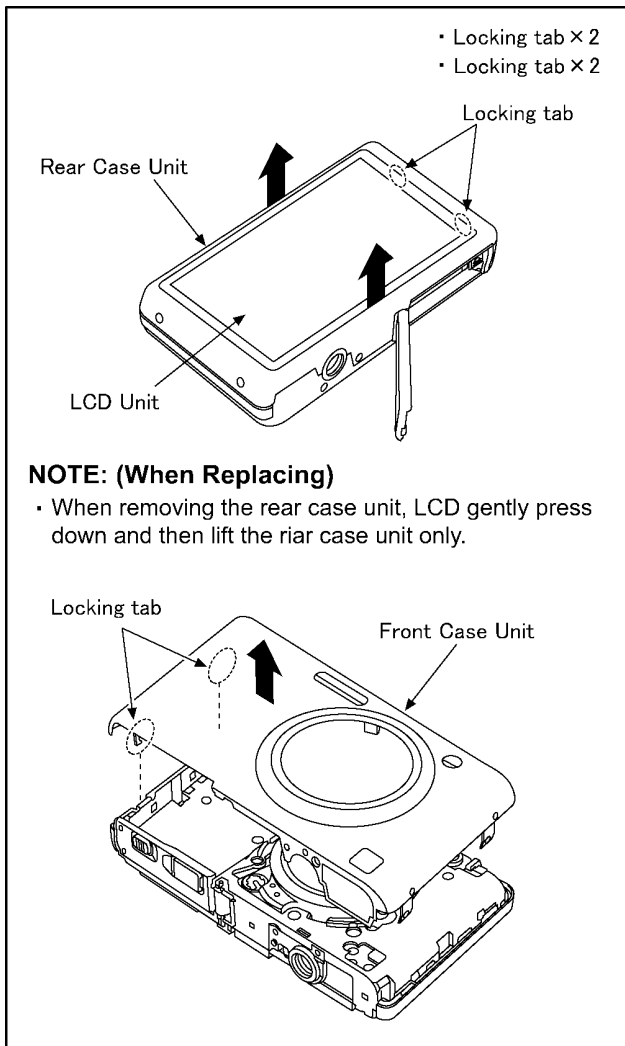
8.3. Disassembly Procedure

8.3.1. Removal of the Rear Case Unit and Front Case Unit

No.	Item	Fig	Removal		
1	Rear Case Unit Front Case Unit	(Fig. D1)	Card		
			Battery		
			2 Screws (A)		
			2 Screws (B)		
			2 Screws (C)		
		(Fig. D2)	2 Locking tabs		
			Rear Case Unit		
			2 Locking tabs		
			Front Case Unit		
2	LCD Unit	(Fig. D3)	1 Locking tab		
			Frame Plate		
			Tripod Fixing Plate		
			FP9003(Flex)		
			FP9004(Flex)		
			LCD Unit		
3	Touch Panel Unit	(Fig. D4)	LCD Unit		
			Touch Panel Unit		
4	Top Operation Unit	(Fig. D5)	1 Locking tab		
			PP9001(Connector)		
			Top Operation Unit		
5	Flash Top P.C.B.	(Fig. D6)	1 Locking tab		
			AF Panel Light		
			FP8001(Flex)		
			2 Screws (D)		
			3 Locking tabs		
			Speaker		
			MIC Unit		
			Motion Picture Button		
			Power Knob Base		
			Power Knob		
			Flash Top P.C.B.		
			(Fig. D7)	Discharge of the capacitor	
				NOTE: (When Installing)	
			6	Lens Unit	(Fig. D8)
		FP9002(Flex)			
3 Screws (E)					
Lens Unit					
7	Main P.C.B.	(Fig. D9)	1 Screw (F)		
			1 Locking tab		
			Main P.C.B.		
8	Battery Case	(Fig. D10)	6 Locking tabs		
			Side Ornament		
			Battery Out Spring		
			Battery Case		
9	Jack Door	(Fig. D11)	Jack Door		
10	Battery Door Unit	(Fig. D12)	Battery Door Shaft		
			Battery Door Spring		
			Battery Door Unit		

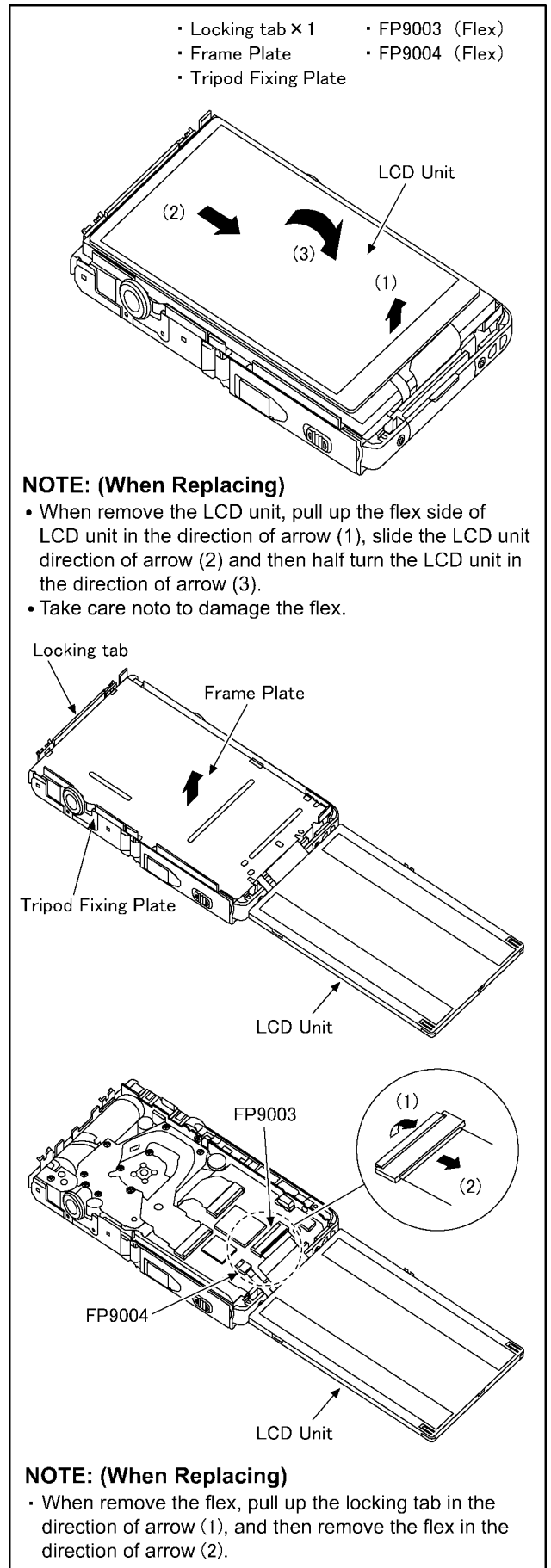


(Fig. D1)



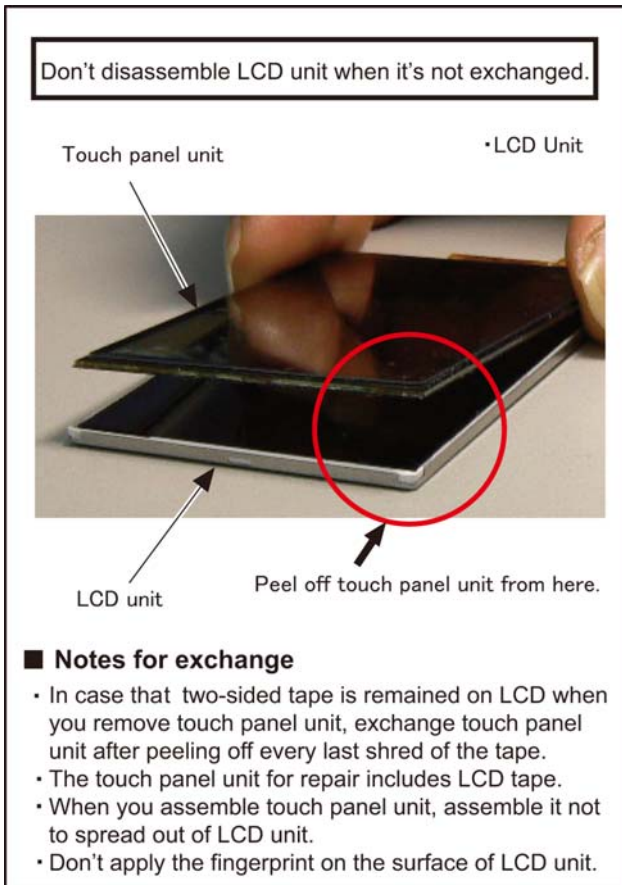
(Fig. D2)

8.3.2. Removal of the LCD Unit



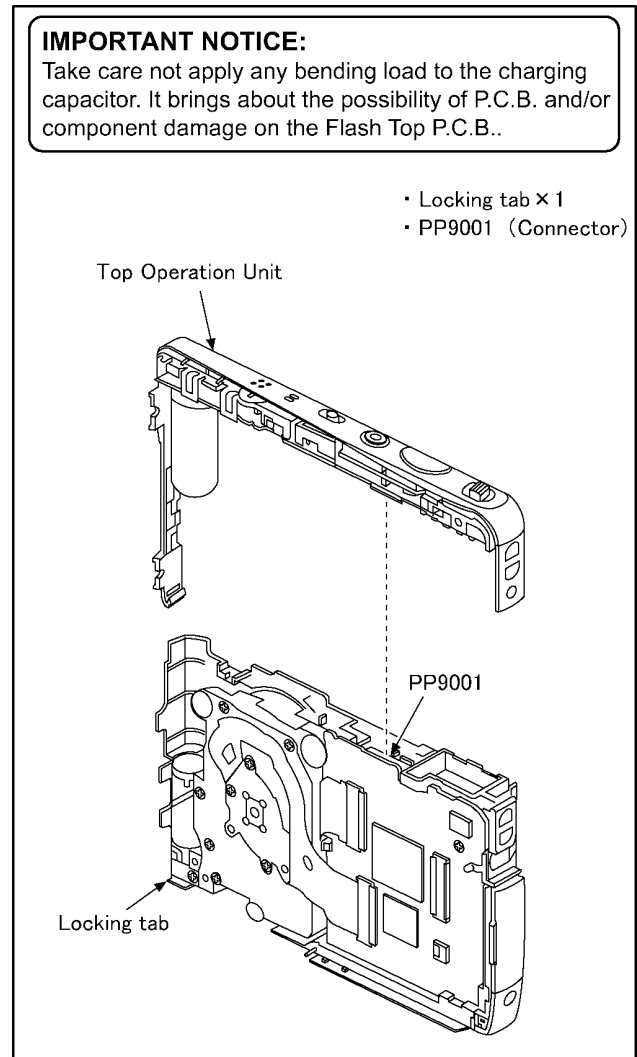
(Fig. D3)

8.3.3. Removal of the Touch Panel Unit



(Fig. D4)

8.3.4. Removal of the Top Operation Unit



(Fig. D5)

8.3.5. How to remove Flash Top P.C.B.

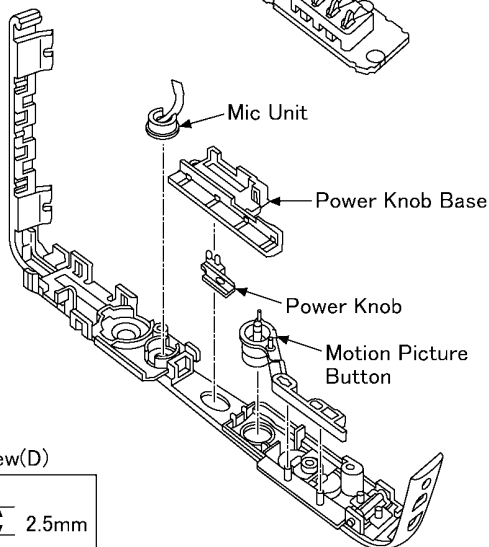
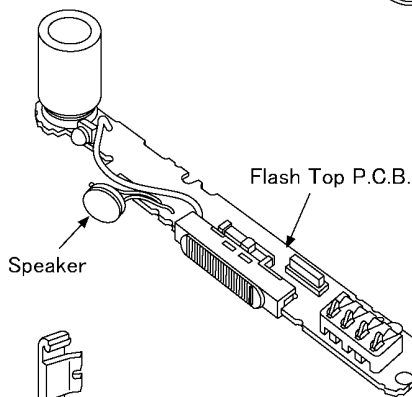
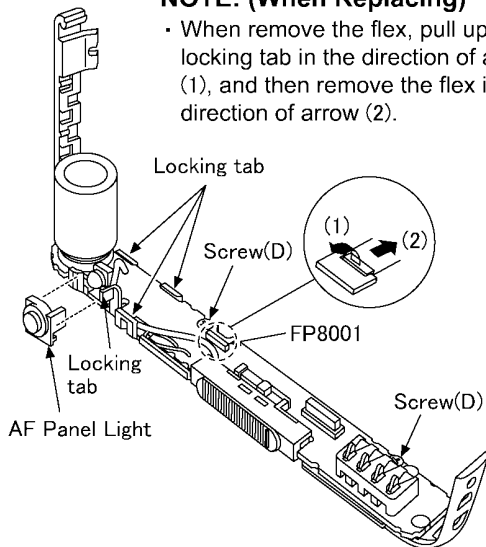
IMPORTANT NOTICE:

Take care not apply any bending load to the charging capacitor. It brings about the possibility of P.C.B. and/or component damage on the Flash Top P.C.B..

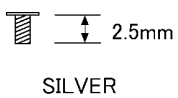
- Locking tab × 1
- AF Panel Light
- FP8001 (Flex)
- Screw(D) × 2
- Locking tab × 3
- Speaker
- Mic Unit
- Motion Picture Button
- Power Knob Base
- Power Knob

NOTE: (When Replacing)

- When remove the flex, pull up the locking tab in the direction of arrow (1), and then remove the flex in the direction of arrow (2).



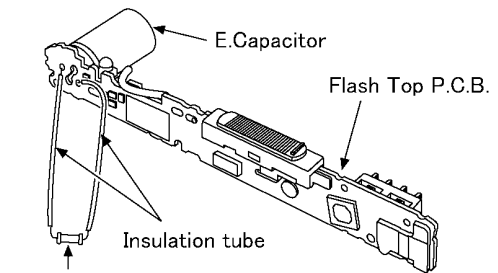
Screw(D)



(Fig. D6)

IMPORTANT NOTICE:

Take care not apply any bending load to the charging capacitor. It brings about the possibility of P.C.B. and/or component damage on the Flash Top P.C.B..



Resistor for discharging
(1kΩ /5W)

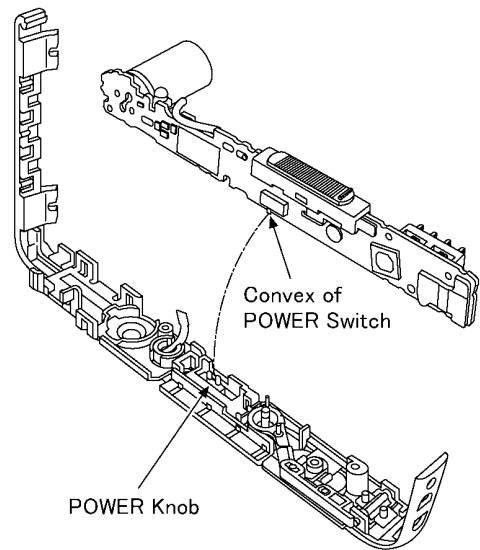
CAUTION

Be sure to discharge the E.Capacitor on Flash Top P.C.B. before disassembling.

1. Remove the Flash Top P.C.B..
2. Put the insulation tube on the lead part of resistor (ERG5SJ102: 1kΩ/5W).
3. Put the resistor between both terminals of E.Capacitor unit for approx. 5 seconds.

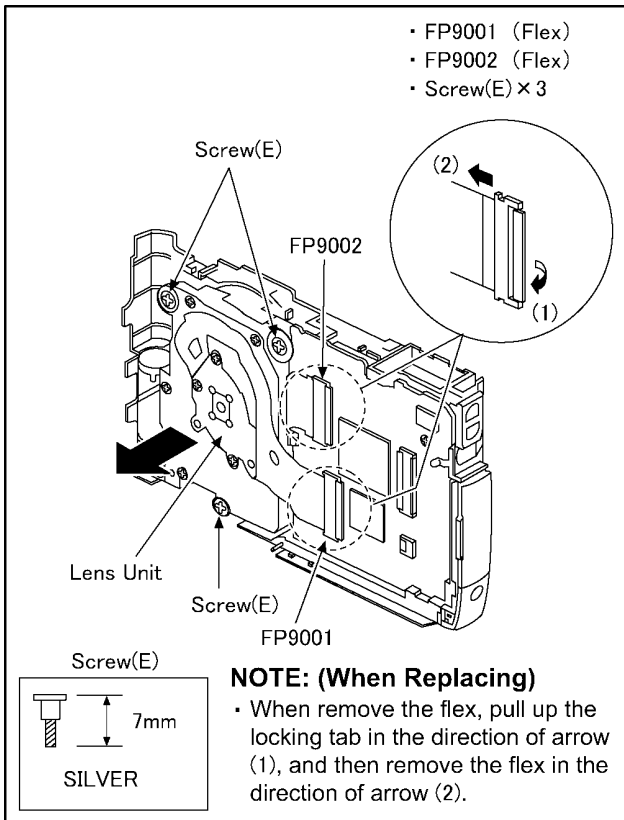
NOTE:(When Installing)

- Align the convex of power switch and power knob.



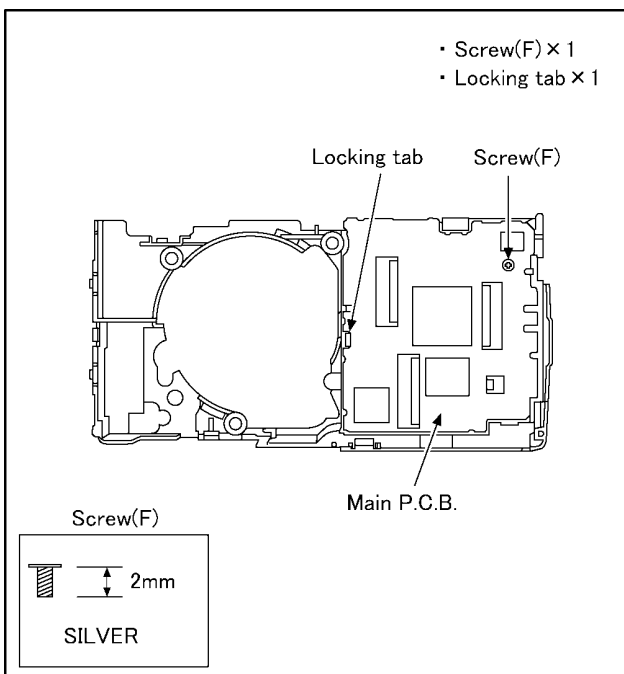
(Fig. D7)

8.3.6. Removal of the Lens Unit



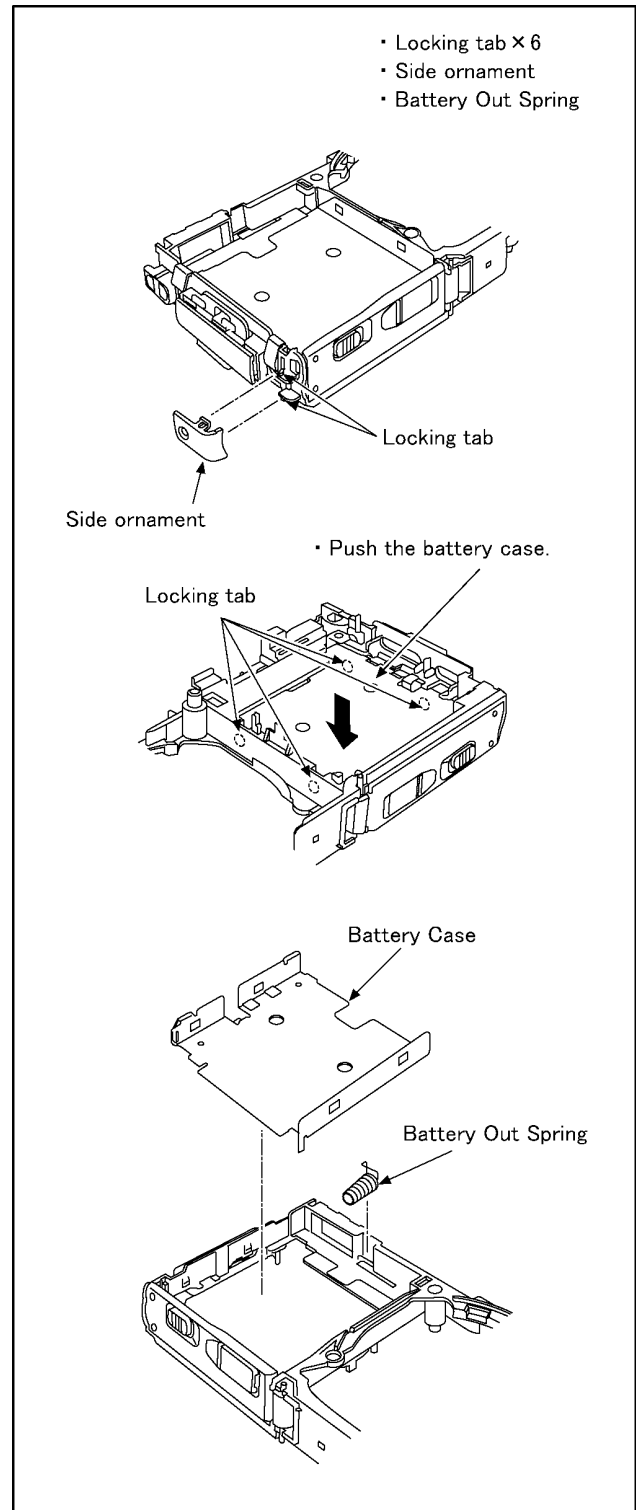
(Fig. D8)

8.3.7. Removal of the Main P.C.B.



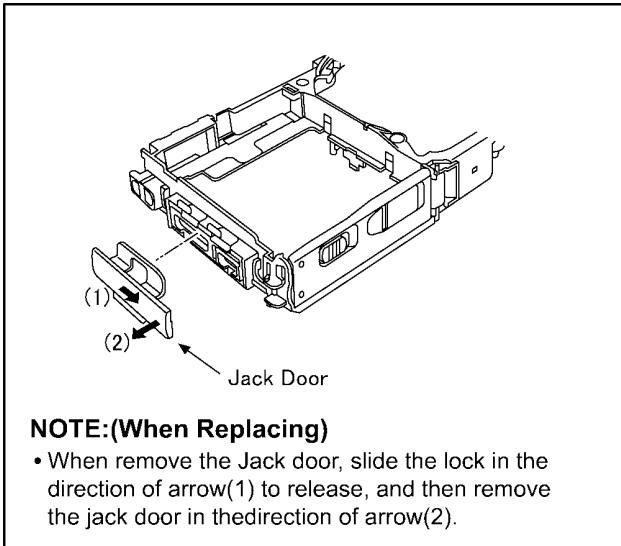
(Fig. D9)

8.3.8. Removal of the Battery Case



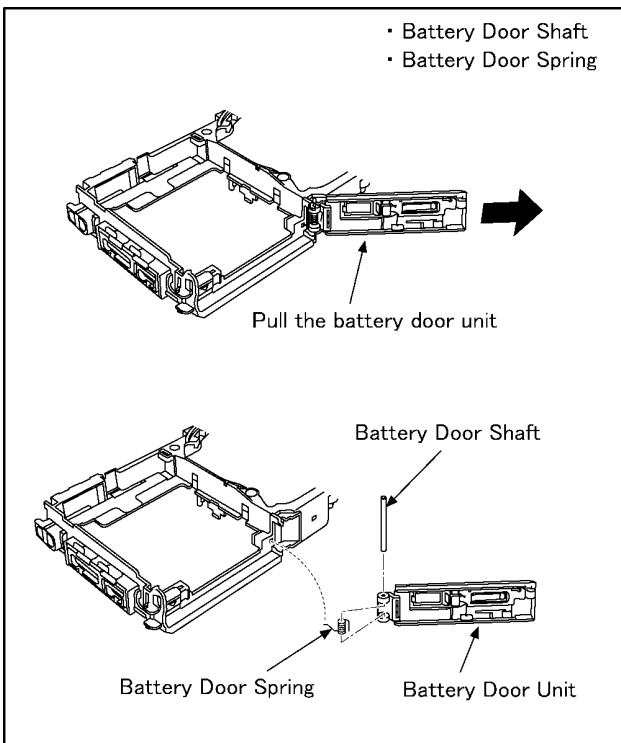
(Fig. D10)

8.3.9. Removal of the Jack Door



(Fig. D11)

8.3.10. Removal of the Battery Door Unit



(Fig. D12)

NOTE: (When Installing)

Make sure to confirm the following points when installing:

- The Screw is tightened enough.
- Installing conditions are fine. (No distortion, no abnormal-space.)
- No dust and/or dirt on Lens surfaces.
- LCD image is fine. (No dust and dirt on it, and no gradient images.)

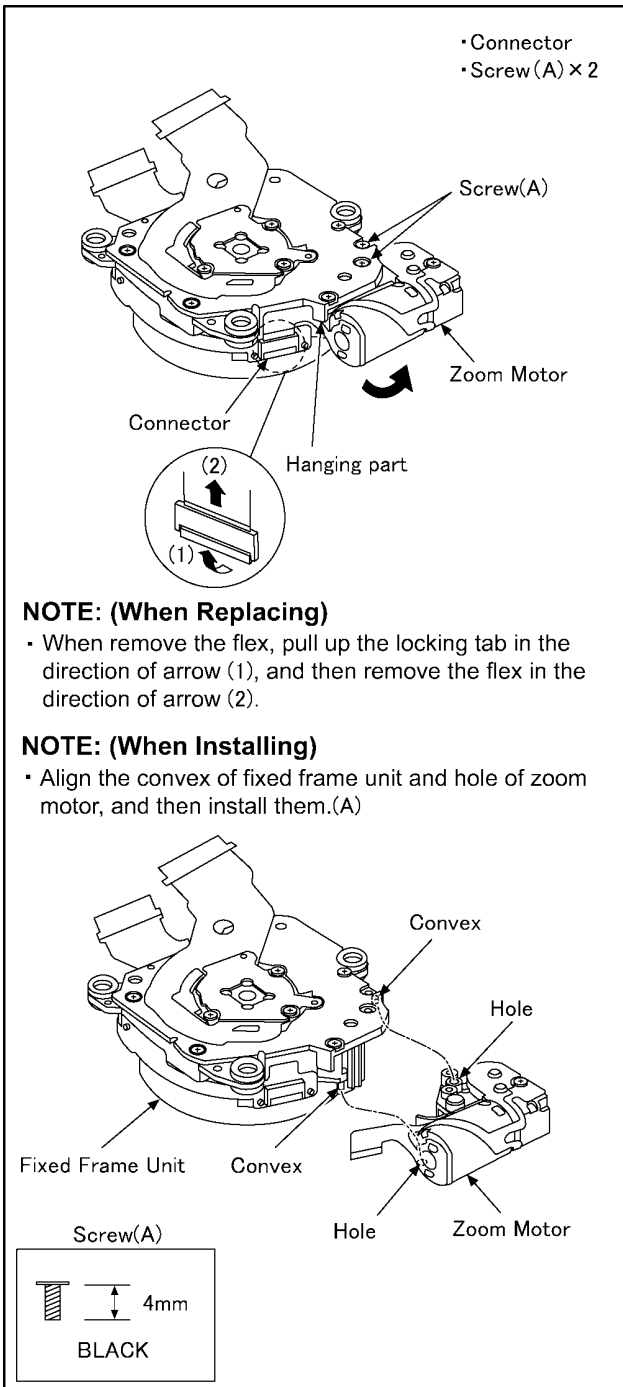
8.4. Lens Disassembly Procedure

Precaution:

1. Do not remove the CCD unit when disassembling or re-assembling the lens in order to maintain it clean.
The screw fitting the CCD unit to the master flange unit is fixed by the bond lock with the adjustment of the installation angle of the CCD unit against the lens (optical axis adjustment) finished.
When remove it, refer to item "8.7."
2. Keep dust or dirt away from the lens.
To remove dirt or dust from the lens, blow with dry air.
3. Do not touch the lens surface.
4. Use lens cleaning KIT (VFK1900BK).
5. Apply grease (RFKZ0472) as shown on "THE APPLICATION OF GREASE METHOD" in the figure.

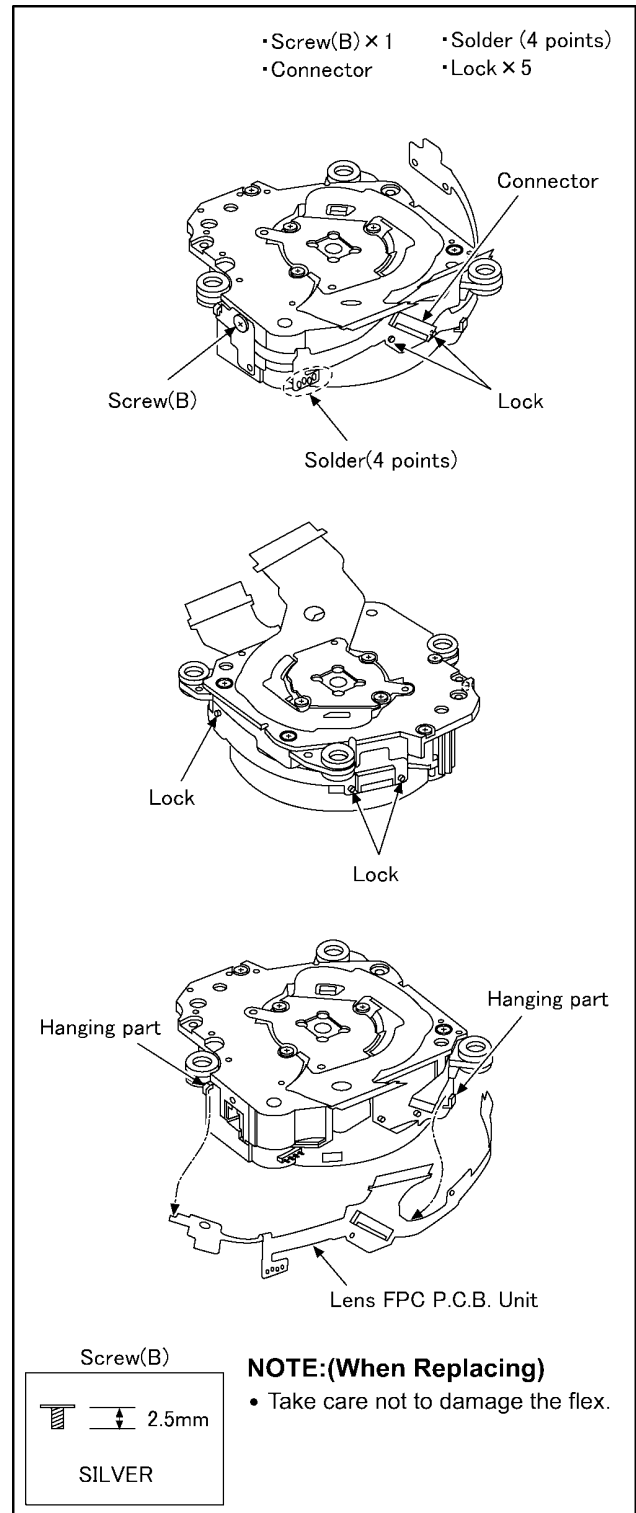
8.4.1. Removal of the Zoom Motor

1. Unscrew the 2 screws (A).
2. Remove the Connector.
3. Remove the FPC to the hanging part.



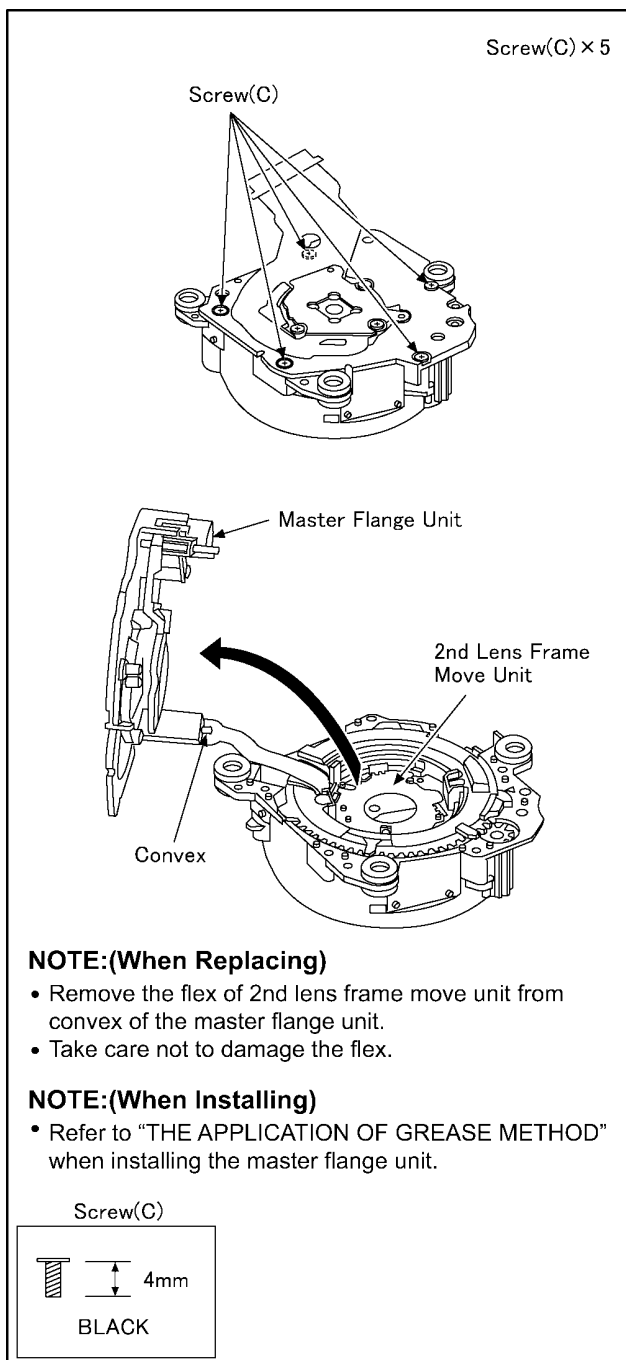
8.4.2. Removal of the Lens FPC P.C.B. Unit

1. Unscrew the 1 screw (B).
2. Remove the Connector.
3. Unsolder (4 points).
4. Remove the 5 Locks.
5. Remove the Lens FPC P.C.B. Unit to the hanging part.



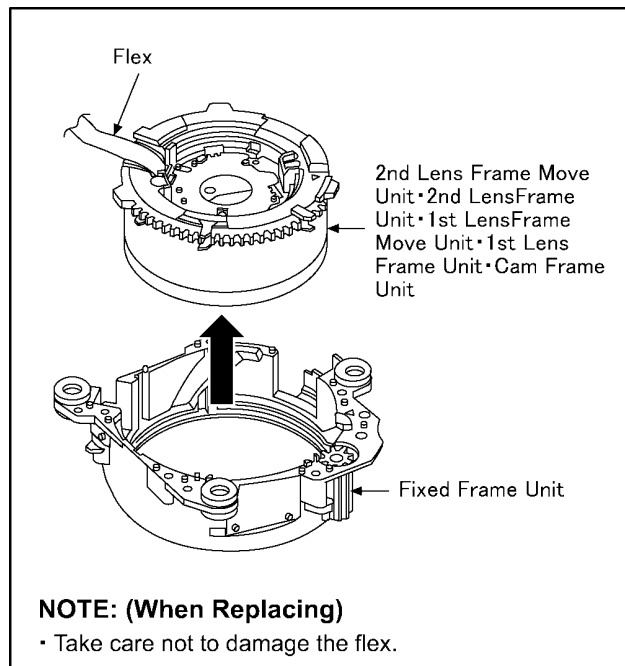
8.4.3. Removal of the Master Flange Unit

1. Unscrew the 5 screws (C).
2. Remove the master flange unit.



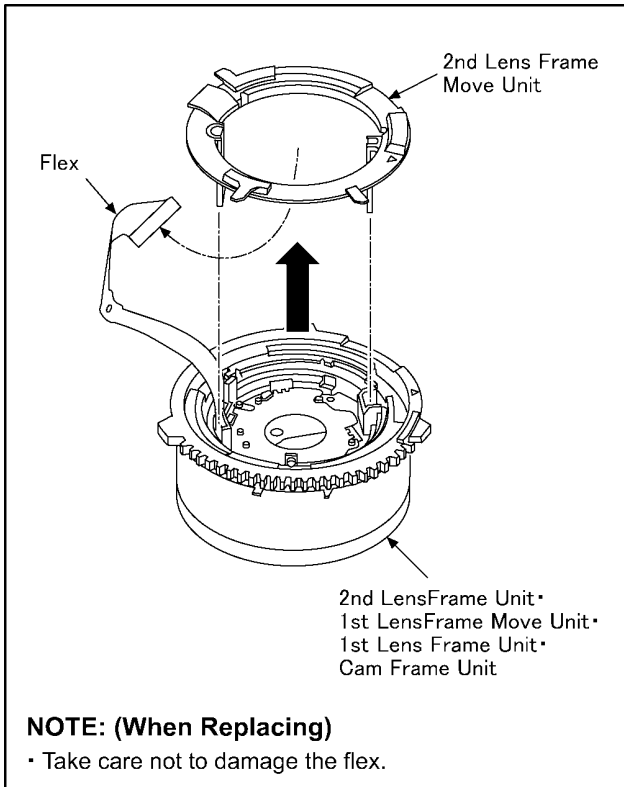
8.4.4. Removal of the 2nd Lens Frame Move Unit/2nd Lens Frame Unit/1st Lens Frame Move Unit/1st Lens Frame Unit and Cam Frame Unit

1. Push the 1st lens frame unit from the lens front side in the direction of arrow, and then remove the unit of 2nd lens frame move unit/2nd lens frame unit/1st lens frame move unit/1st lens frame unit and cam frame unit from fixed frame unit.



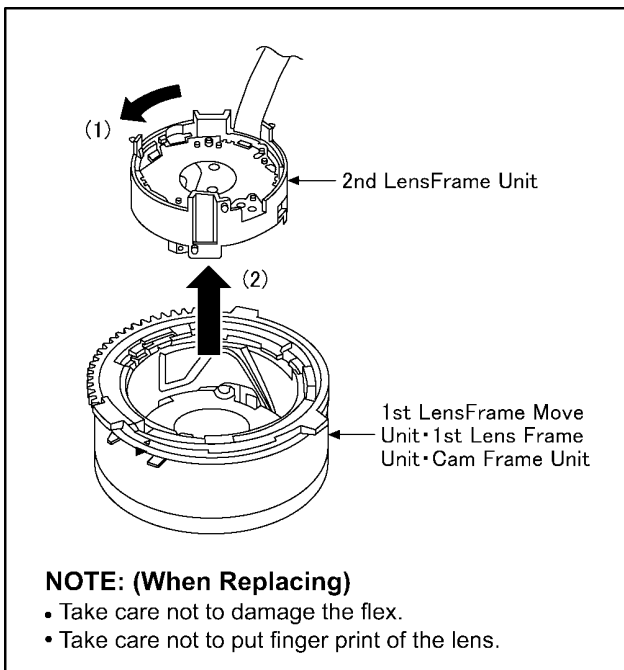
8.4.5. Removal of the 2nd Lens Frame Move Unit

1. Remove the 2nd Lens frame move unit in the direction of the arrow.



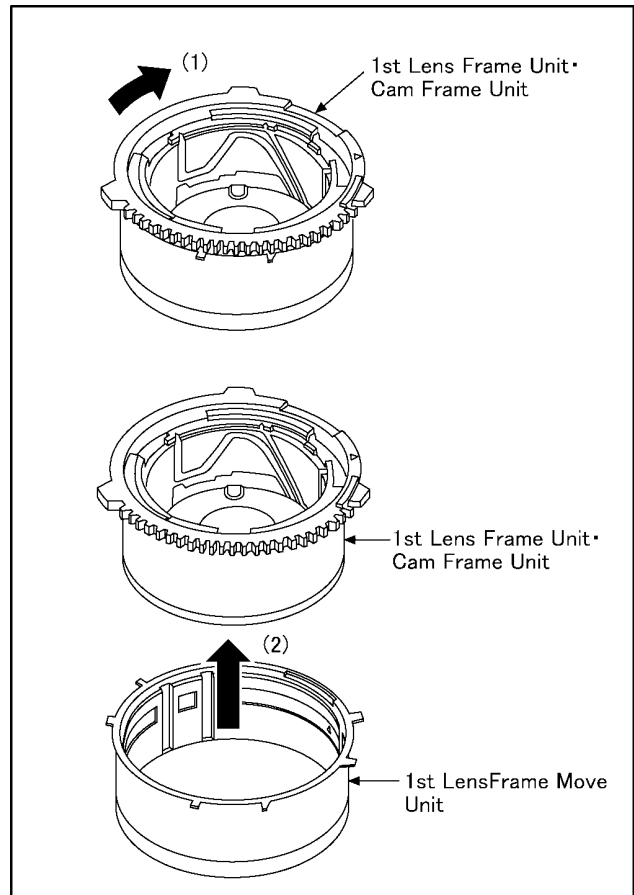
8.4.6. Removal of the 2nd Lens Frame Unit

1. Remove the 2nd Lens frame unit in the direction of the arrow (1) and (2).



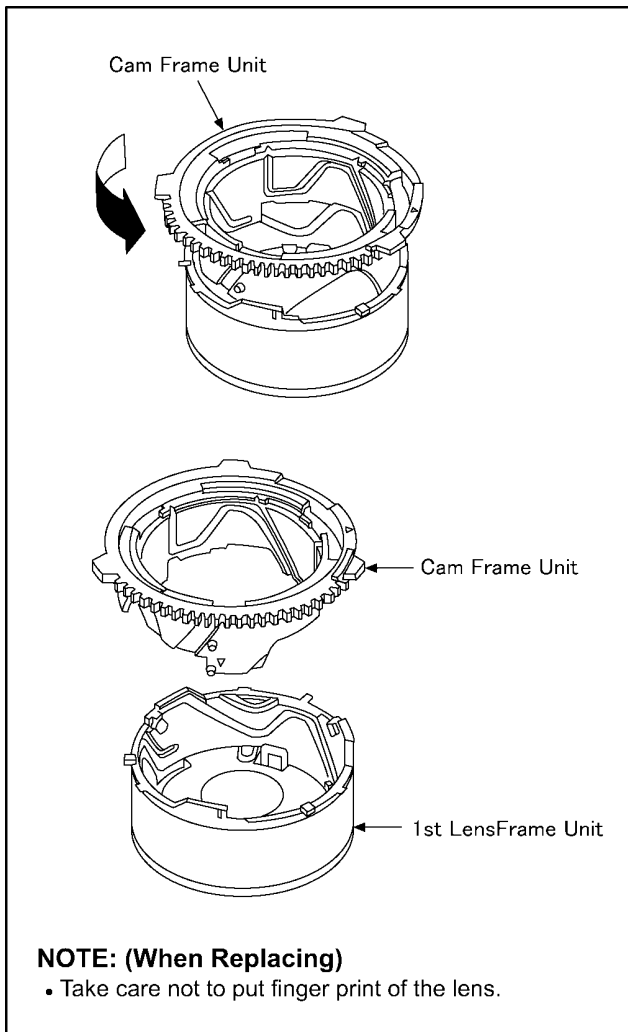
8.4.7. Removal of the 1st Lens Frame Move Unit

1. Slide the 1st Lens frame move unit in the direction of the arrow (1).
2. Remove the 1st Lens frame move unit in the direction of the arrow (2).



8.4.8. Removal of the Cam Frame Unit

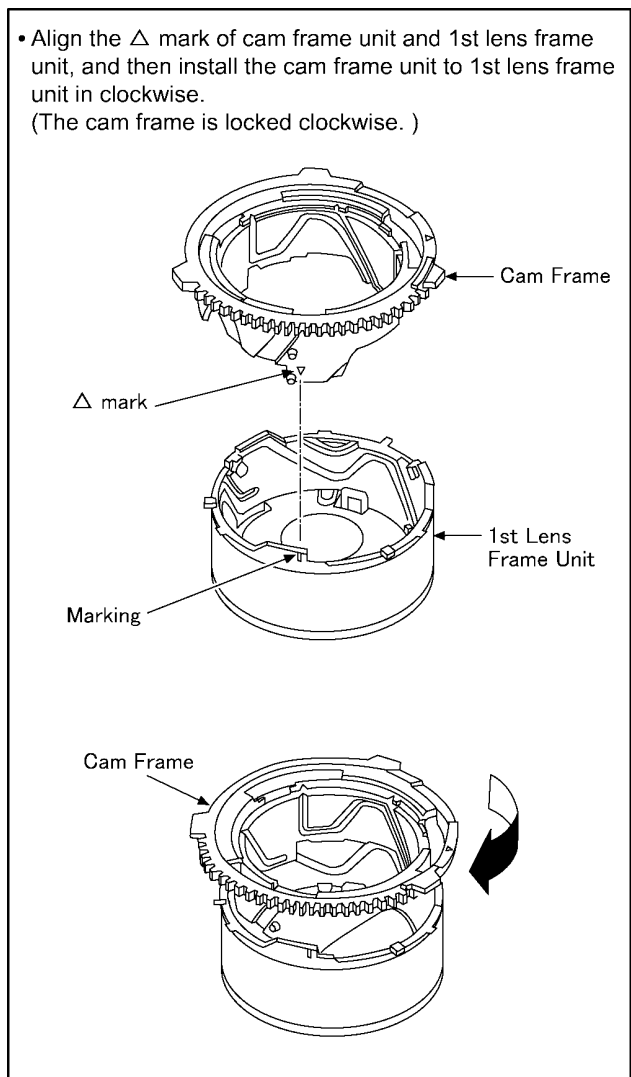
1. Remove the cam frame unit while rotating.



8.5. Assembly Procedure for the Lens

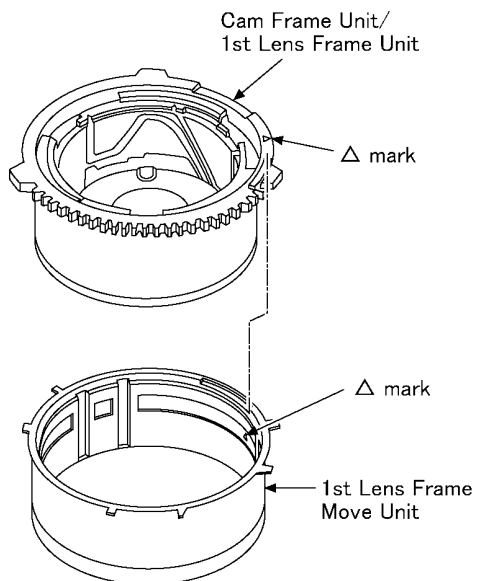
8.5.1. Phase alignment of the Cam Frame Unit and 1st Lens Frame Unit

- Align the Δ mark of cam frame unit and 1st lens frame unit, and then install the cam frame unit to 1st lens frame unit in clockwise. (The cam frame is locked clockwise.)

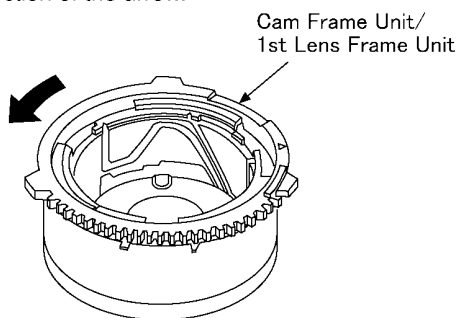


8.5.2. Phase alignment of the Cam Frame Unit/1st Lens Frame Unit and 1st Lens Frame Move Unit

- Align the Δ mark of cam frame unit and 1st lens frame unit, and then install the cam frame unit/1st lens frame unit to direct frame.

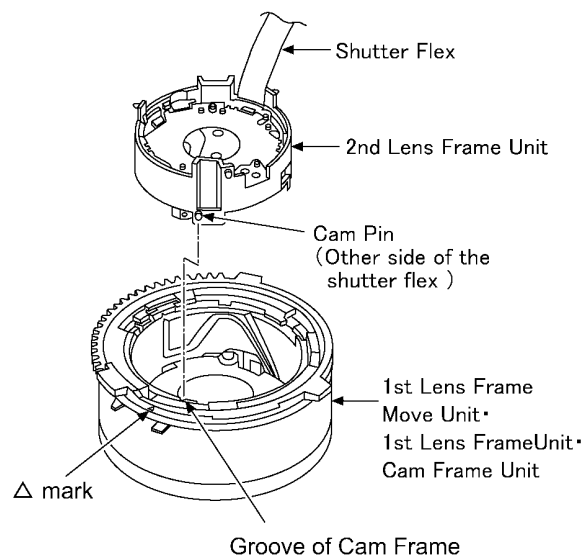


- Slide the cam frame unit/1st lens frame unit a little in the direction of the arrow.



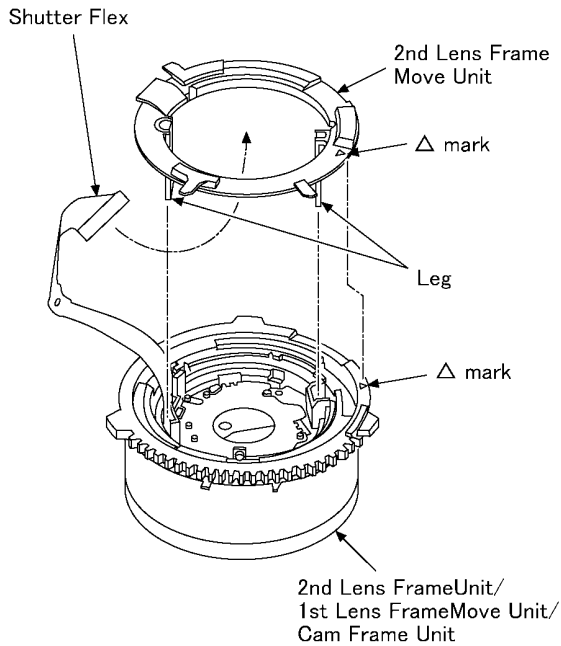
8.5.3. Install of the 2nd Lens Frame Unit

- Align the Δ mark of cam pin and cam frame unit, and then install the cam pin of 2nd lens frame unit to the groove of cam frame.



8.5.4. Phase alignment of the Cam Frame/ 1st Lens Frame Unit/1st Lens Frame Move Unit/2nd Lens Frame Unit and 2nd Lens Frame Move Unit

- Align the Δ mark of 2nd lens frame move unit and cam frame unit, and then install the two places legs of 2nd lens frame move unit to concave of 2nd lens frame unit.

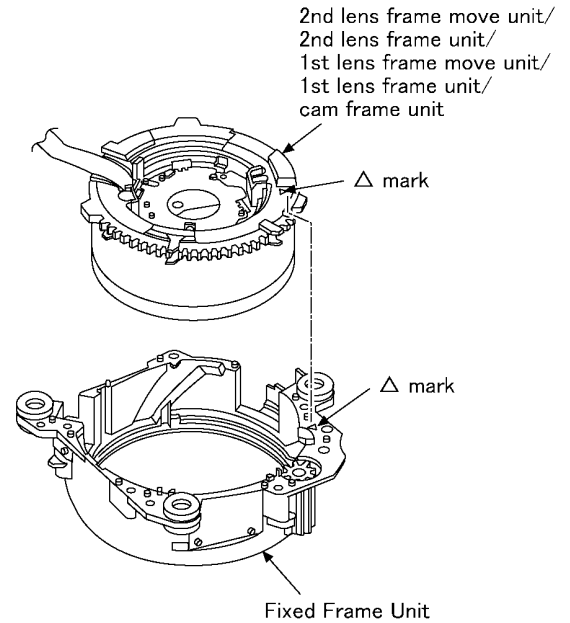


NOTE:(When Replacing)

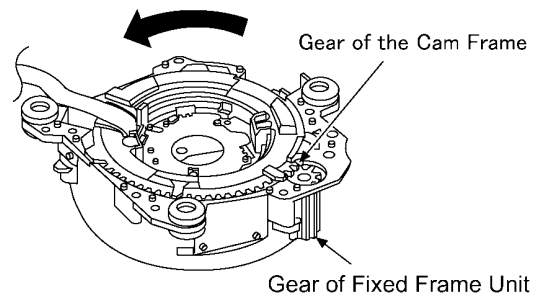
- Passes over the shutter flex inside of the 2nd lens frame unit.
- Take care not to damage the flex.

8.5.5. Phase alignment of the Cam Frame Unit/1st Lens Frame Unit/1st Lens Frame Move Unit/2nd Lens Frame Unit and 2nd Lens Frame Move Unit/Fixed Frame Unit

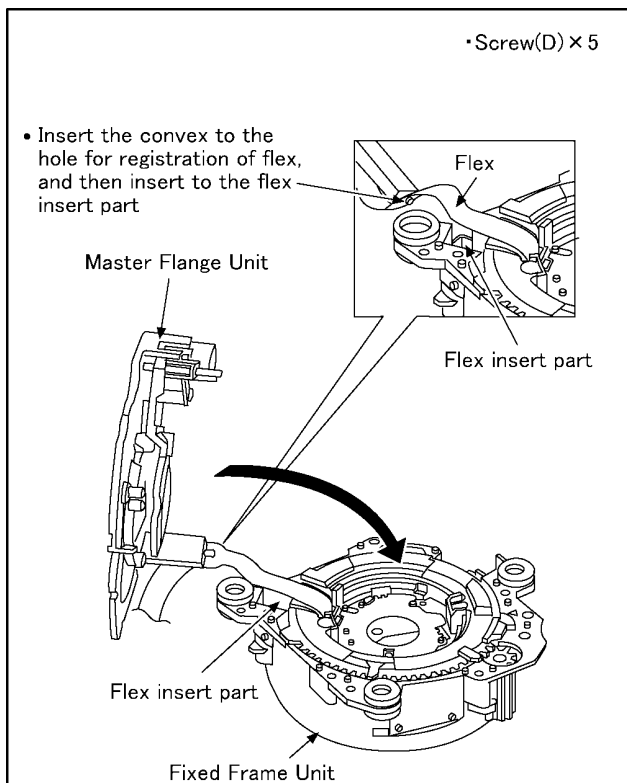
- Align the Δ mark of fixed frame unit and Δ mark of cam frame unit, and then install the 2nd lens frame move unit/2nd lens frame unit/1st lens frame move unit/1st lens frame unit/cam frame unit to fixed frame unit.



- Align the gear of fixed frame unit to the gear of the cam frame surely, and then rotate the gear of the cam frame more than two cogwheels

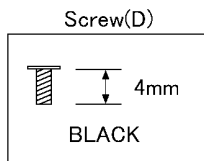
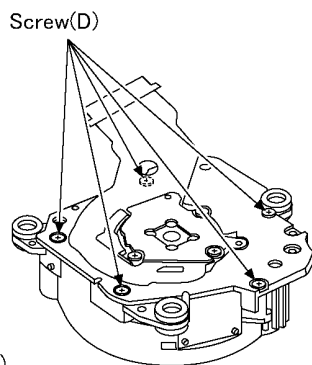


8.5.6. Install of the Master Flange Unit

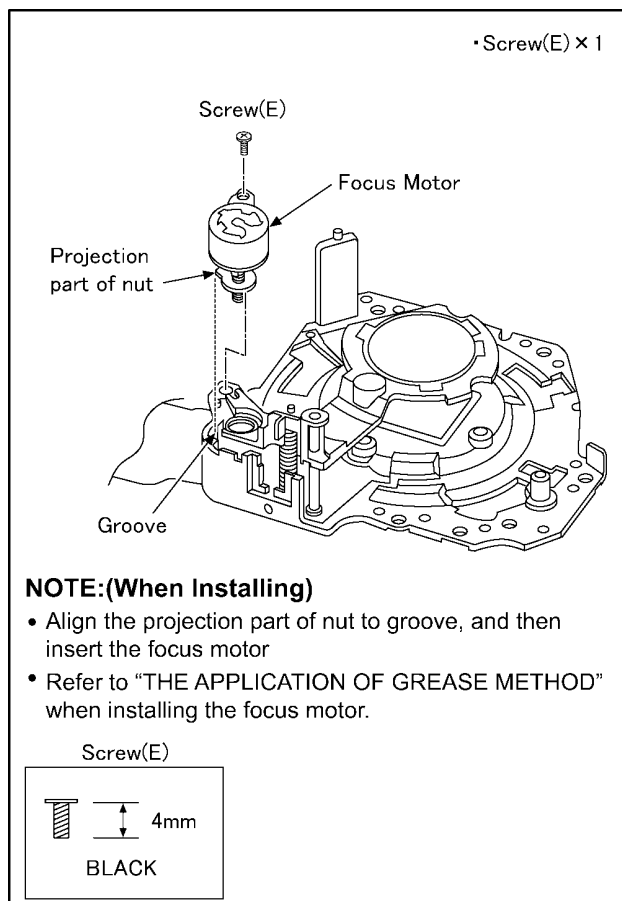


NOTE:(When Replacing)

- Take care not to damage the flex.
- Refer to "THE APPLICATION OF GREASE METHOD" when installing the master flange unit.

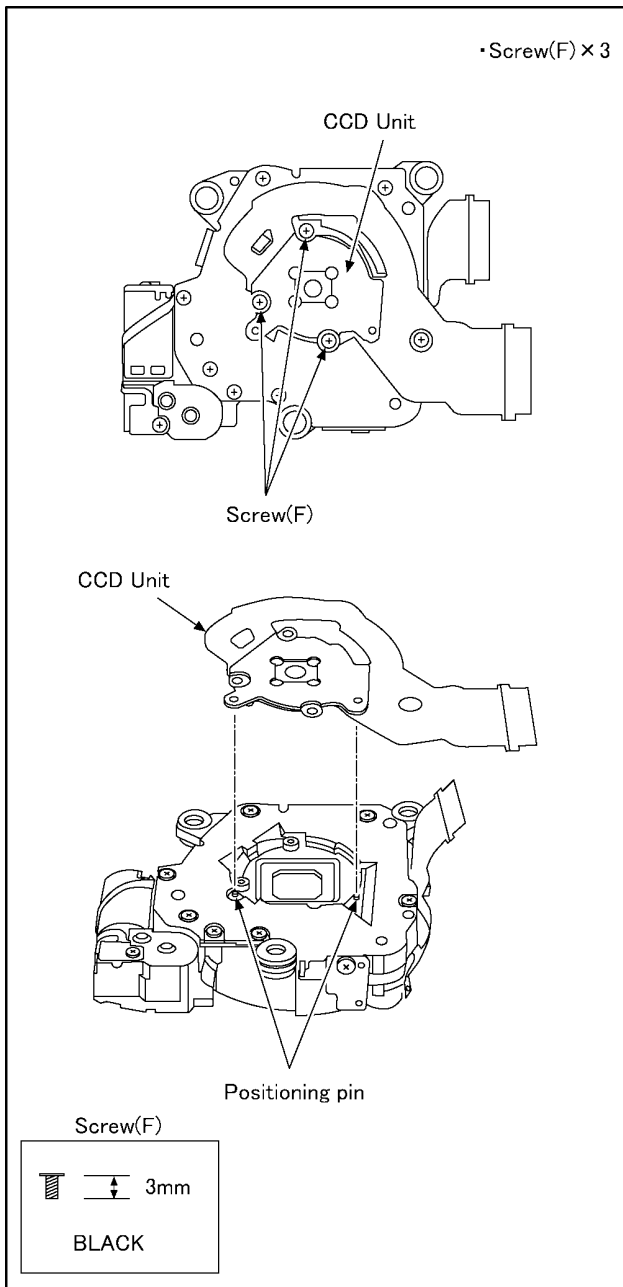


8.6. Removal of the Focus Motor



8.7. Removal of the CCD Unit

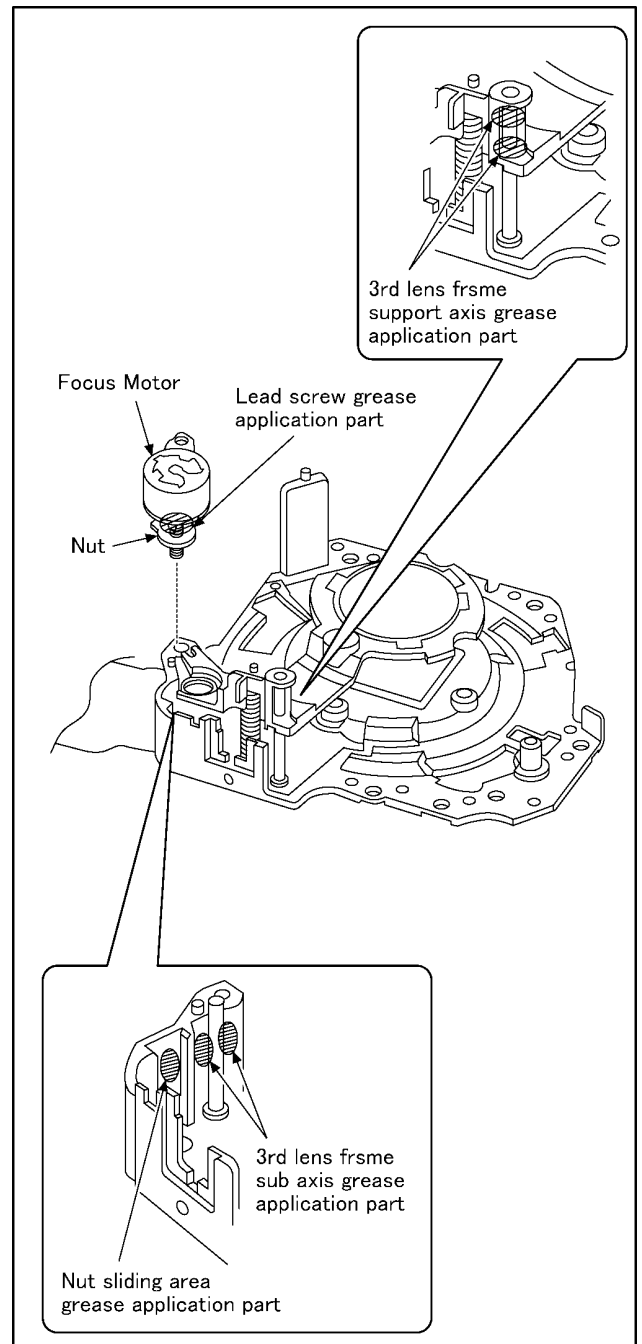
To prevent the CCD unit from catching the dust and dirt, do not remove the CCD unit except for replacing.



8.8. The Application of Grease Method

The grease application parts of lens unit are as follows.
Apply grease additionally in the specified position if necessary.
When the grease is applied, use a toothpick and apply thinly.

- Focus motor (lead screw)/Fasten groove of nut/Guide pole
 - Grease: RFKZ0472
 - Amount of application: 2 - 4 mg
- Resin pin
 - Grease: RFKZ0472
 - Amount of application: 1 - 2 mg



9 Measurements and Adjustments

9.1. Introduction

When servicing this unit, make sure to perform the adjustments necessary based on the part(s) replaced. Before disassembling the unit, it is recommended to back up the camera data stored in flash-rom as a data file.

IMPORTANT NOTICE (After replacing the MAIN P.C.B.)

After replacing the MAIN P.C.B., it is necessary to use the "DIAS" software to allow the release of adjustment flag(s).

The Adjustment software "DIAS" is available at "TSN Website". To download, click on "Support Information from NWBG/VDBG-AVC".

*DIAS (DSC Integrated Assist Software)

9.2. Before Disassembling the unit

9.2.1. Initial Setting Release

The cameras specification are initially set in accordance with model suffix (such as EB, EG, GK, GC, and so on.).

Unless the initial setting is not released, an automatic alignment software in the camera is not able to be executed when the alignment is carried out.

Note:

The initial setting should be again done after completing the alignment. Otherwise, the camera may not work properly.

Therefore as a warning, the camera display a warning symbol "!" on the LCD monitor every time the camera is turned off.

Refer to the procedure described in "3.4.2 INITIAL SETTINGS" for details.

[How to Release the camera initial setting]

Preparation:

1. Attach the Battery or AC Adaptor with a DC coupler to the unit.
(Since this unit has built-in memory, it can be performed without inserting SD memory card.)
2. Slide the lens cover fully downward.
3. Select with the touch panel in order to [REC] mode and [NORMAL PICTURE] mode.
4. Turn off the power by pressing the power button which is located on the top case unit.
(If the unit is other than [NORMAL PICTURE] mode, it does not display the initial settings menu.)

Step 1. Temporary cancellation of "INITIAL SETTINGS":

While pressing "W side of [ZOOM LEVER]", [SHUTTER BUTTON] and touch the screen (Any position of the screen is acceptable) simultaneously, turn the power on.

Step 2. Cancellation of "INITIAL SETTINGS":

1. Select with the touch panel to [PLAYBACK] mode.
2. Touch Setup after touching MENU. Then, find and select Ver..
3. Touch near the center of screen, while [SHUTTER BUTTON] is pressed halfway.
4. Turn the power off.

The LCD displays the "!" mark before the unit powers down.



9.2.2. Flash-Rom Data Backup

When trouble occurs, it is recommended to backup the Flash-rom data before disassembling the unit.

There are two kinds of Flash-rom data backup methods:

[ROM_BACKUP (Method of Non-PC backup)]

1. Insert the SD-card into the camera.
2. Set the camera to "Temporary cancellation of the initial settings".
3. Select the "SETUP" menu.

From the "SETUP" menu, select "ROM BACKUP".

NOTE:

This item is not listed on the customer's "SETUP" menu.

4. When this "ROM_BACKUP" item is selected, the following submenus are displayed.

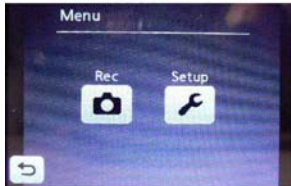


Fig.2-1

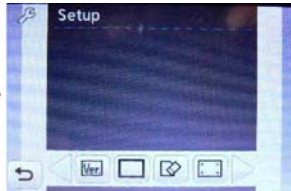


Fig.2-2

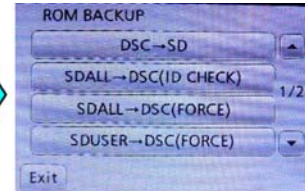


Fig.2-3

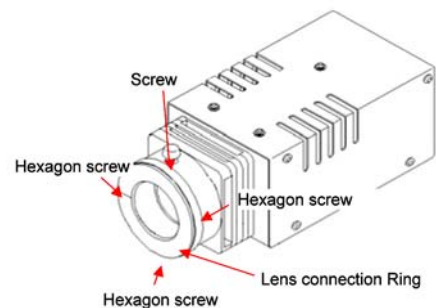
Item	Function	Details
DSC → SD	Save all the DSC's Flash-rom data to SD-CARD	*DSC's Flash-rom data is saved to the SD-CARD as a data file by the same format as the TATSUJIN software for the previous models. (DATA BACKUP) -File location: ROOT DIRECTORY in SD-CARD. -File Name: 1) User Setup Information data: <Model Number>U.txt [Example: DMC-FX66 : "FX66U.txt"] 2) Optical Adjustment data: <Model Number>F.txt [Example: DMC-FX66 : "FX66F.txt"] *If the concerned file already exists, "OVERWRITE?" message is displayed.
SDALL → DSC (ID CHECK)	Write the all data to DSC's Flash-rom from SD-CARD	*The backup data being stored in the SD card is transferred to DSC unit. *ID CHECK: When the model ID is different, data is not transferred.
SDALL → DSC (FORCE)	Write the all data to DSC's Flash-rom from SD-CARD	*FORCE: Even if the model ID is different, data is transferred. ※If the main PCB is replaced, select "SDALL → DSC (FORCE)".
SDUSER → DSC (FORCE)	Only "User setup information" is written from the saved file in the SD-CARD to DSC's Flash-rom.	*Only the user's "setup" setting condition is transferred to DSC unit. *FORCE: Even if the model ID is different, the data is transferred.
I → LUMIX	Shipping set without initializing "User setup information"	*Initial setting is executed without initializing the user's set up setting condition. ※ The initial setting must be perform while the Self-timer LED is blinking, ※ The picture data stored in the built-in memory of the DSC is not erased, with this operation.

[DSC Integrated Assist Software (Method of Using PC)]

Same as TATSUJIN software for previous models.

9.2.3. Light Box

If using VFK1164TDVLB Light Box, remove the lens connection ring by loosening three hexagon screws.



9.3. Details of Electrical Adjustment

9.3.1. How to execute the Electrical Adjustment

It is not necessary to connect the camera to a PC to perform adjustments.

“Flag reset operation” and “Initial setting operation” are required when carrying out the alignment, follow the procedure below.

9.3.1.1. Startup Electrical Adjustment mode

1. Release the initial settings.
2. Insert a recordable SD card.
(Without a SD card, the automatic adjustment can not executed.)
3. Procedure to set the camera into adjustment mode:
 - a. Turn the Power on.
 - b. Select with the touch panel in order to [REC] mode and [NORMAL PICTURE] mode.
 - c. Turn the Power off.
 - d. Touch the screen while the power is turned on.
LCD monitor displays “SERVICE MODE” (Fig. 3-1), and then start the automatic adjustment software.

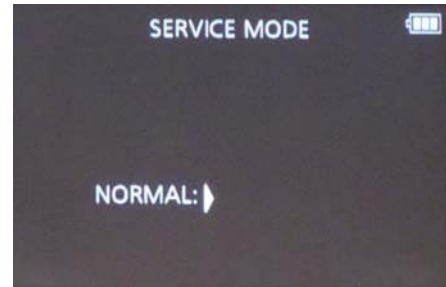


Fig.3-1

9.3.1.2. Status Adjustment Flag Setting

Reset (Not yet adjusted) the status flag condition.

1. Move the [ZOOM LEVER] to “W” side.
2. While display the screen, select the “T” or “W” side of [ZOOM LEVER] to adjustment item (Flagged items), and then press the [SHUTTER BUTTON].

NOTE:

The selected item's flag has been changed from “F (green)” to “0 (yellow)”.

*Flag conditions:

F (green)

means that the alignment has been completed and the status flag condition is set. In this case, the flag condition should be reset, if you try to carry out the automatic alignment.

0 (yellow)

means that the alignment has been not “completed” and the status flag condition is “reset”. In this case, automatic alignment is available.

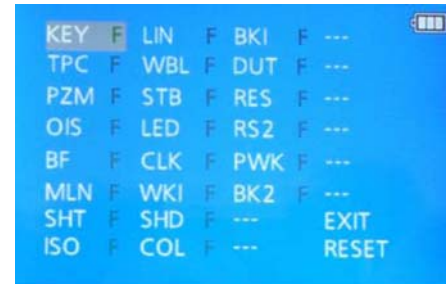


Fig.3-2

- In case of setting the status flag into set condition again without completion of the alignment, the status flag should be SET by using PC, or UNDO by using ROM BACKUP function.

9.3.1.3. Execute Adjustment (In case of “OIS Adjustment”)

1. Perform step “9.3.1.1.” to “9.3.1.2.”, to reset the OIS flag status “F” (Set) to “0” (Reset)
2. Reselect "EXIT" with [ZOOM LEVER] in the preceding paragraph, and then press the [SHUTTER BUTTON]. (Refer to Fig.3-3)
3. Press the [SHUTTER BUTTON]. The adjustment will start automatically.



Fig.3-3

4. When the adjustment is completed successfully, adjustment report menu appears with Green OK on the LCD monitor. (Refer to Fig.3-4)

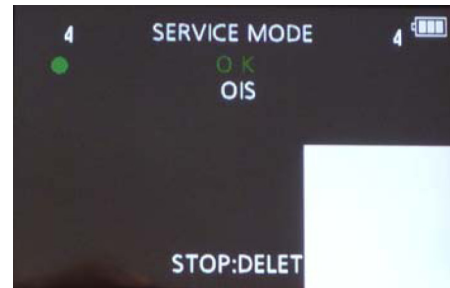


Fig.3-4

9.3.1.4. Attention point during Adjustment

1. Step “9.3.1.3.” procedure shows OIS adjustment as an example. To perform the adjustment, refer to the “9.3.2. Adjustment Specifications” table which shows key point for each adjustment.
2. Do not move the light box, the camera or the chart while adjusting. If one of these is moved accidentally, start the adjustment again.
3. Do not press any buttons/keys until the default menu (Fig.3-5) is displayed on the LCD monitor. Otherwise, adjustment data may not be stored properly.
4. If the adjustment is interrupted accidentally, the alignment data may not be properly saved in the Flash-rom.

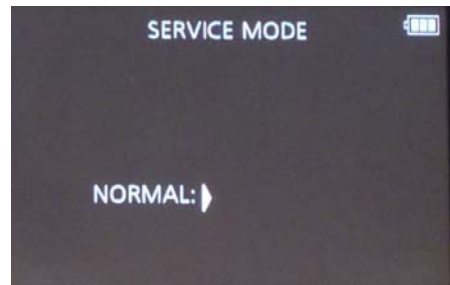


Fig.3-5

9.3.1.5. Finalizing the Adjustment

1. Several adjustment flags can be reset (“F” into “0”) at the same time. In this case, when the adjustment has been completed, the screen will change showing the adjustment for the next item until all reset items are completed. Also, when the shutter button is pressed, the screen jump to the next adjustment item.
2. To cancel the adjustment mode while in the process of performing the adjustment, follow this procedures.
(1) Move the [ZOOM LEVER] to “T” side.

NOTE:

- If adjustment is cancelled with above procedure, adjustment is not completed. Make sure to adjust it later.
- Adjustment software “DIAS” is able to control the status of the adjustment flags.

9.3.2. Adjustment Specifications

The following matrix table shows the relation between the replaced part and the Necessary Adjustment. When a part is replaced, make sure to perform the necessary adjustment(s) in the order indicated. The table below shows all the information necessary to perform each adjustment.

Adjustment order	Adjustment Item	FLAG	Purpose	Replacing Parts							JIG/TOOLS	SET UP	How to Operate		
				MAIN PCB	VENUS (IC6001)	MCP (IC6002)	Lens Parts (except CCD)	CCD Unit	T-PANEL DRIVER	T-PANEL				GYRO (IC7101)	
1	Touch Panel Control	TPC	Touch Panel Inspection	○	○	○	-	-	○	○	-	-TOUCH PEN VGQ0C14 (VGQ4370)	NONE	1)Touches sequentially + mark with the touch pen on the display. 2)If OK is displayed, it is adjustment completion.	
2	Venus Zoom	PZM	Venus Zoom Inspection	○	○	○	-	-	-	-	-	NONE	NONE	1)Press Shutter Button 2)After displaying "PZM", press Shutter Button again. 3)After completed, the"OK" message appears.	
3	OIS sensor	OIS	OIS sensor output level adjustment	○	○	○	○	○	-	-	-	NONE	NONE	1)Press Shutter Button (Do not apply any shock and vibration for the camera while adjusting) 2)After completed, the"OK" message appears.	
4	Backfocus / GYRO	BF	To have the focus tracking curve be appropriate shape and GYRO sensor adjustment	○	○	○	○	○	※1	-	-	○	-COLLIMATOR (VFK1164TCM02 or VFK1164TCM03 or RFK20422)	1)Set the camera in front of collimator so that the distance between collimator and camera becomes about 2.5cm as shown in Fig.A. 【NOTE】 Please note that "NG" might happen while auto adjusting. - Do not put the black colored stuff at the back side of collimator near hunching chart to get some certain brightness. - Make sure the hunting chart has no dust and dirty condition. - Not connect the USB cable at this stage.	1)Press Shutter Button (Do not apply any shock and vibration for the camera while adjusting) 2)After completed, the "OK" message appears.
5	Monitor Linearity	MLN	Monitor Linearity adjustment	○	○	○	○	○	-	-	-	-LIGHT BOX RFK20523 (VFK1164TDVLB)	1)Set the camera in front of LIGHTBOX so that the distance between collimator and camera becomes about 3.5 cm as shown in Fig.B.	1)Press Shutter Button 2)After completed, the "OK" message appears.	
6	Shutter	SHT	Shutter speed adjustment	○	○	○	○	○	-	-	-	-LIGHT BOX RFK20523 (VFK1164TDVLB) - TR CHART (RFK20443)	1) Insert the TR chart into the slot of LIGHTBOX. 2) Set the camera in front of LIGHTBOX so that the distance between LIGHTBOX and camera becomes about 16 cm as shown in FigB. 3) Set the camera angle so that the color chart is displayed on the LCD monitor fully. 【NOTE】 - Since the lens position is automatically set into certain position after executing auto adjustment, confirm the angle after stopping the lens zoom position. - It is no problem even though the chart on to the LCD monitor slightly cut at the corner. - It is no problem even though the focusing slightly becomes out of focusing condition. - Not connect the USB cable at this stage.	1)Press Shutter Button 2)After completed, the "OK" message appears.	
7	ISO	ISO	ISO sensitivity adjustment	○	○	○	○	○	-	-	-		1)Press Shutter Button 2)After completed, the "OK" message appears.		
8	High brightness coloration	LIN	High brightness coloration adjustment	○	○	○	○	○	-	-	-		1)Press Shutter Button 2)After completed, the "OK" message appears.		
9	White Balance	WBL	White balance adjustment under various color temperature	○	○	○	○	○	-	-	-		1)Press Shutter Button 2)After completed, the "OK" message appears.		
10	CCD Missing Pixels (White)	WKI	Compensation of CCD Missing Pixels (White)	○	○	○	○	○	※1	-	-	NONE	NONE	1)Press Shutter Button 2)After completed, the "OK" message appears.	
11	Color reproduction inspection and Microphone check	COL	Color reproduction inspection and Microphone check	○	○	○	○	○	-	-	-	NONE	NONE	1)Press Shutter Button 2)After completed, the "OK" message appears.	
		BKI	Do not use "BKI" adjustment flag for this unit. Use "BK2" adjustment flag, instead. (In case of mostDSC models, the adjustment flag for CCD Missing Pixels is "BKI". But, in this model, "BK2" the adjustment flag for CCD Missing Pixels.)												

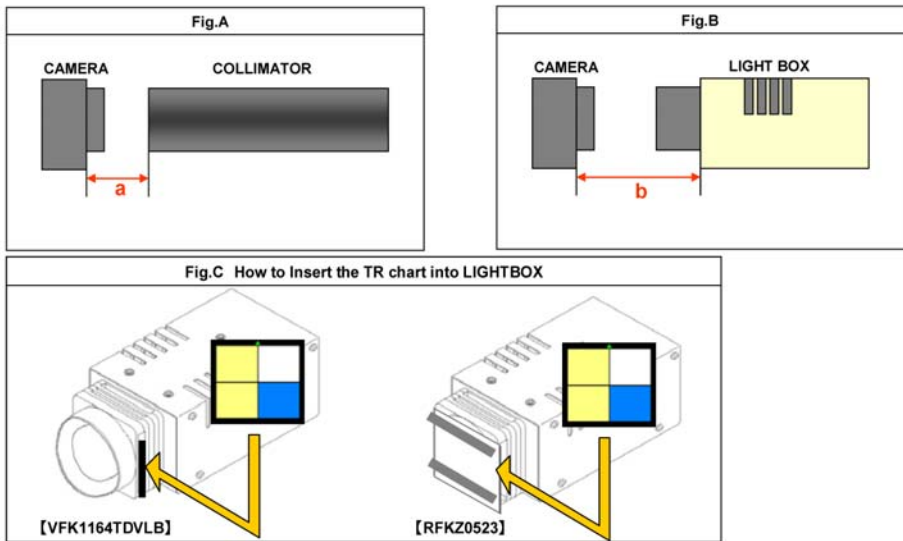
Adjustment order	Adjustment Item	FLAG	Purpose	Replacing Parts							JIG/TOOLS	SET UP	How to Operate
				MAIN PCB	VENUS (IC6001)	MCP (IC6002)	Lens Parts (except CCD)	CCD Unit	T-PANEL DRIVER	T-PANEL			
12	CCD Missing Pixels (Black)	BK2	Compensation of CCD Missing Pixels (Black)	○	○	○	○	○※1	—	—	—	<p>1) Prepare the LIGHTBOX (RFKZ0523). (The LIGHTBOX "VFK1164TDVLB" can be used if the front hood of VFK1164TDVLB is removed.)</p> <p>2) Set the ND Filter (VFK1164ND15) to the LIGHTBOX.</p> <p>3) Set the LIGHTBOX and Camera unit so that distance becomes about 3 cm.</p> <p>NOTE: Do not use "BK1" adjustment flag for this unit. Use "BK2" adjustment flag, instead.</p>	<p>1) Press Shutter Button. (The lens starts zooming and stops automatically, then green ● mark is displayed on LCD).</p> <p>2) Aim the LIGHTBOX so that the entire LCD screen becomes fully "white". (No dark area).</p> <p>3) Press Shutter Button. (The <BK1 adjustment 1> is executed, and then green ● mark is displayed on LCD).</p> <p>4) Press Shutter Button. (The lens starts zooming and stops automatically, then green ● mark is displayed on LCD).</p> <p>5) Press Shutter Button. (The <BK1 adjustment 2> is executed, and then green ● mark is displayed on LCD).</p> <p>6) Press Shutter Button. (The lens starts zooming and stops automatically, then green ● mark is displayed on LCD).</p> <p>7) Press Shutter Button. (The <BK1 adjustment 3> is executed, and then green ● mark is displayed on LCD).</p> <p>8) Press Shutter Button. ("OK" mark is displayed on LCD when the adjustment has been completed successfully).</p>

- ※1 : Execute the adjustment when remove the CCD unit and replace the CCD unit.
- ※2 : The pixel that always lights while shaded is called a white wound.
- ※3 : The pixel that does not light while complete exposed is called a black wound.
- *This unit does not have the LCD adjustment of the camera (LCD flicker adjustment etc.).



※Touch panel adjustment screen

Touch with the touch pen + mark on the upper side of the left.
To similar, touch with the touch pen + mark sequentially lower side of the left, lower side of the right, upper side of the right and center.
If OK is displayed, it is adjustment completion.



■ **IMPORTANT NOTICE** (After replacing the MAIN P.C.B.)
 After replacing the MAIN P.C.B., make sure to perform the "INITIAL SETTINGS" first, then release the "INITIAL SETTINGS" in order to proceed the electrical adjustment.

NOTE:

- 1). If electrical adjustment or data re-writing is executed before "INITIAL SETTINGS", suffix code list is never displayed, and it cannot be chosen suitable suffix code.
- 2). Never remove the battery during initial setting in process.

9.4. After Adjustment

9.4.1. Initial Setting

Since the initial setting has been released to execute the built-in adjustment software, it should be set up again before shipping the camera to the customer.

Refer to the procedure described in "3.4.2. INITIAL SETTINGS" for details.

[IMPORTANT]

1. The initial setting should be done again after completing the alignment. Otherwise, the camera will not work properly. Therefore as a warning, the camera display a warning symbol "!" on the LCD monitor every time the camera is turned off.
2. Confirm that status of all adjustment flag show "F". Even if one of the adjustment flag shows "0", initial setting programmed is never executed.
3. Adjustment software "DIAS" is able to control the status of the adjustment flags.
 The Adjustment software "DIAS" is available at "TSN Website", therefore, access to "TSN Website" at "Support Information from NWBG/VDBG-AVC".

10 Maintenance

10.1. Cleaning Lens and LCD Panel

Do not touch the surface of lens and LCD Panel with your hand.

When cleaning the lens, use air-Blower to blow off the dust.

When cleaning the LCD Panel, dampen the lens cleaning paper with lens cleaner, and the gently wipe the its surface.

Note:

The Lens Cleaning KIT ; VFK1900BK (Only supplied as 10 set/Box) is available as Service Aid.

Service Manual

Diagrams and Replacement Parts List

Digital Camera

Model No.

DMC-FX77EB	DMC-FX78P	DMC-FX78GN
DMC-FX77EE	DMC-FX78PU	DMC-FX78GT
DMC-FX77EF	DMC-FX78GC	
DMC-FX77EG	DMC-FX78GD	
DMC-FX77EP	DMC-FX78GH	
DMC-FX77SG	DMC-FX78GK	

Vol. 1

Colour

[DMC-FX77]

- (S).....Silver Type (only EB/EG/EP)
- (K).....Black Type (except SG)
- (N).....Gold Type (only SG)
- (A).....Blue Type (only EE/EG/SG)
- (P).....Pink Type (only EE/EG/SG)
- (W).....White Type (only SG)

[DMC-FX78]

- (S).....Silver Type (only GC/GH/GK/GN)
- (K).....Black Type (except GN)
- (N).....Gold Type (only P/GK/GT)
- (A).....Blue Type (only P/GN)
- (P).....Pink Type (except P/PU)
- (W).....White Type (except PU/GD)

Table of contents

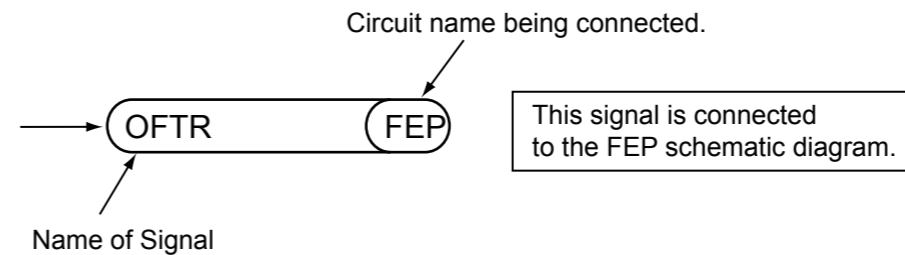
S1. About Indication of The Schematic Diagram.....	S-1	S6. Replacement Parts List.....	S-11
S1.1. Important Safety Notice.....	S-1		
S2. Voltage Chart	S-2	S7. Exploded View	S-16
S2.1. Flash Top P.C.B.....	S-2	S7.1. Frame and Casing Section.....	S-16
		S7.2. Packing Parts and Accessories Section (1)	S-17
S3. Block Diagram.....	S-3	S7.3. Packing Parts and Accessories Section (2)	S-18
S3.1. Overall Block Diagram	S-3		
S4. Schematic Diagram.....	S-4		
S4.1. Interconnection Diagram	S-4		
S4.2. Flash Top Schematic Diagram	S-5		
S4.3. CCD Flex Schematic Diagram	S-6		
S4.4. Lens Flex Schematic Diagram	S-7		
S5. Print Circuit Board.....	S-8		
S5.1. Flash Top P.C.B.....	S-8		
S5.2. CCD Flex P.C.B.....	S-9		
S5.3. Lens Flex P.C.B.....	S-10		

S1. About Indication of The Schematic Diagram

S1.1. Important Safety Notice

COMPONENTS IDENTIFIED WITH THE MARK \triangle HAVE THE SPECIAL CHARACTERISTICS FOR SAFETY. WHEN REPLACING ANY OF THESE COMPONENTS USE ONLY THE SAME TYPE.

1. Although reference number of the parts is indicated on the P.C.B. drawing and/or schematic diagrams, it is NOT mounted on the P.C.B. when it is displayed with "\$" mark.
2. It is only the "Test Round" and no terminal (Pin) is available on the P.C.B. when the TP (Test Point) indicated as "●" mark.
3. The voltage being indicated on the schematic diagram is measured in "Standard-Playback" mode when there is no specify mode is mentioned.
4. Although the voltage and waveform available on here is measured with standard frame, it may be differ from actual measurement due to modification of circuit and so on.
5. The voltage being indicated here may be include observational-error (deviation) due to internal-resistance and/or reactance of equipment. Therefore, handle the value indicated on here as reference.
6. Use the parts number indicated on the Replacement Parts List .
7. Indication on Schematic diagrams:



S2. Voltage Chart

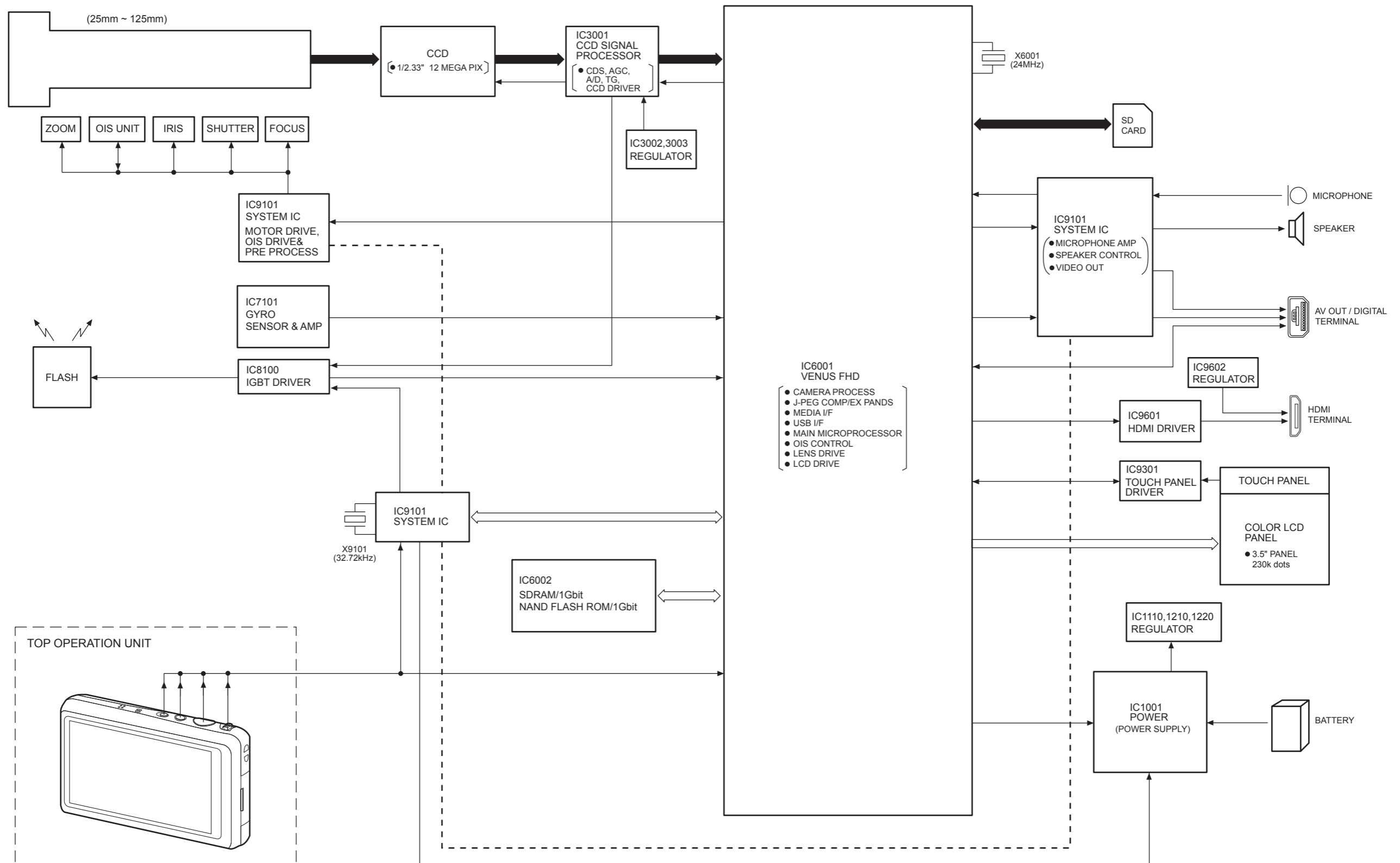
Note) Indicated voltage values are the standard values for the unit measured by the DC electronic circuit tester (high-impedance) with the chassis taken as standard.
Therefore, there may exist some errors in the voltage values, depending on the internal impedance of the DC circuit tester.

S2.1. Flash Top P.C.B.

REF No.	PIN No.	POWER ON
IC8100	1	0
IC8100	2	0
IC8100	3	0
IC8100	4	0
IC8100	5	3.4
IC8100	6	0
IC8100	7	0
IC8100	8	0
IC8100	9	3.1
IC8100	10	3.8

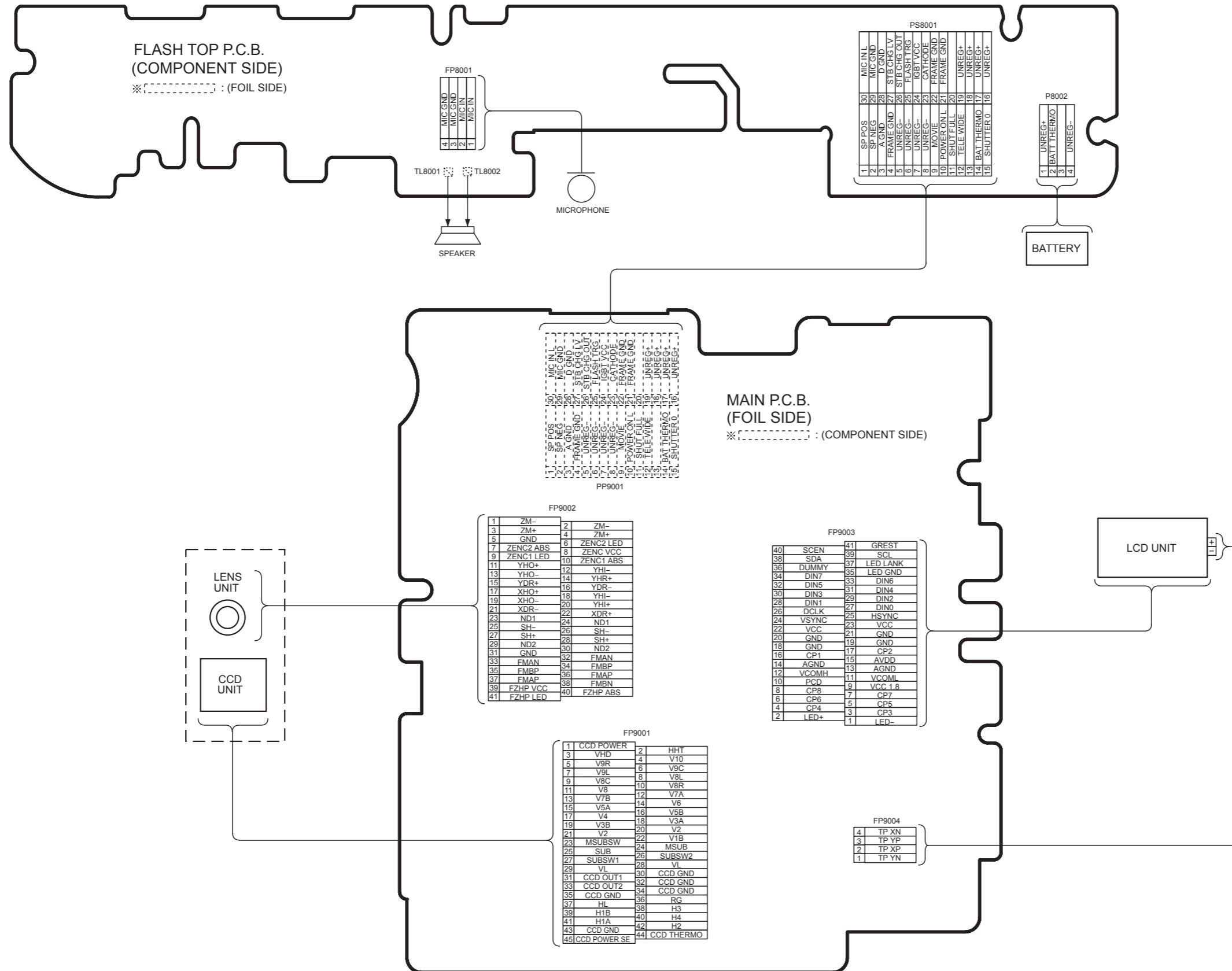
S3. Block Diagram

S3.1. Overall Block Diagram

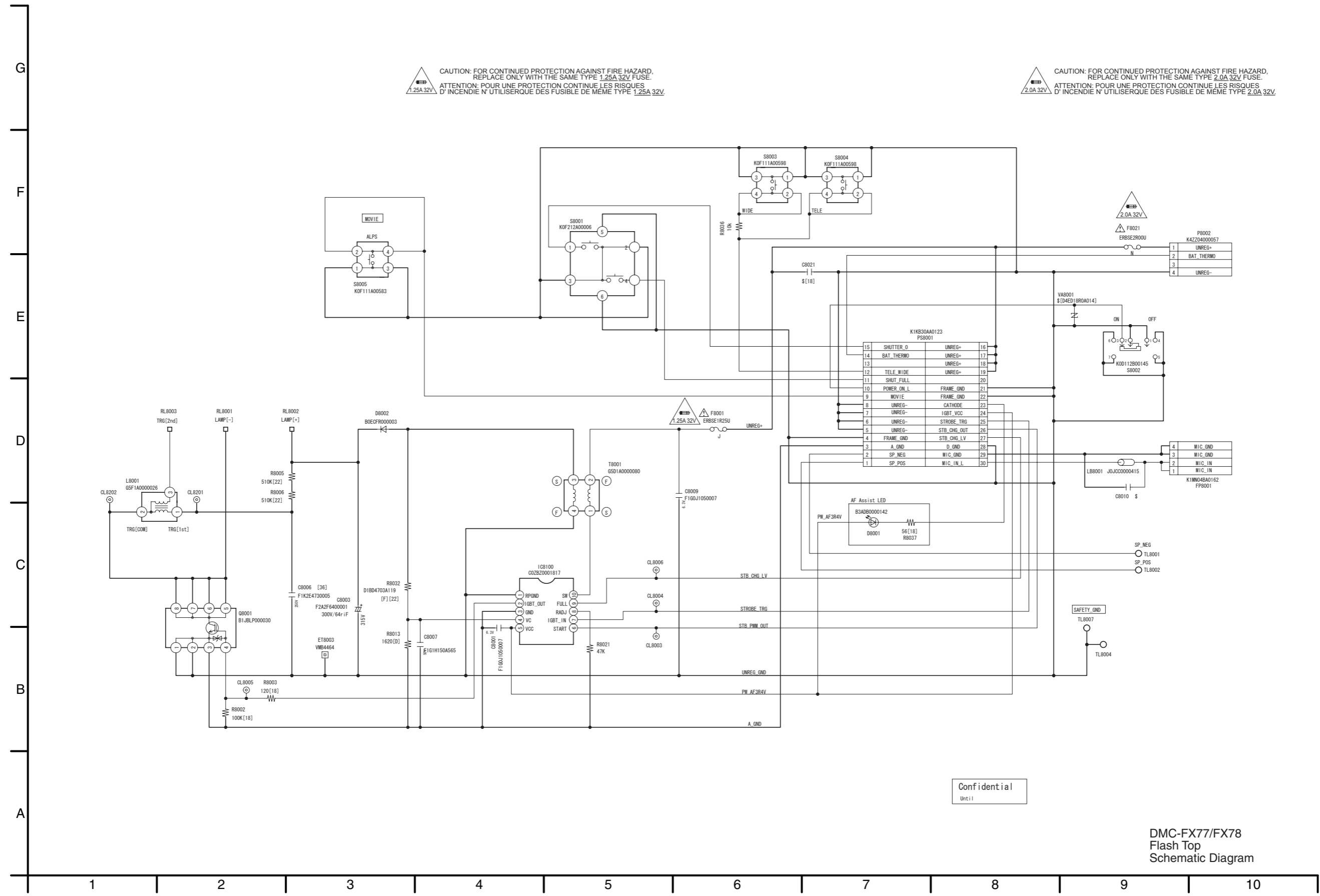


S4. Schematic Diagram

S4.1. Interconnection Diagram



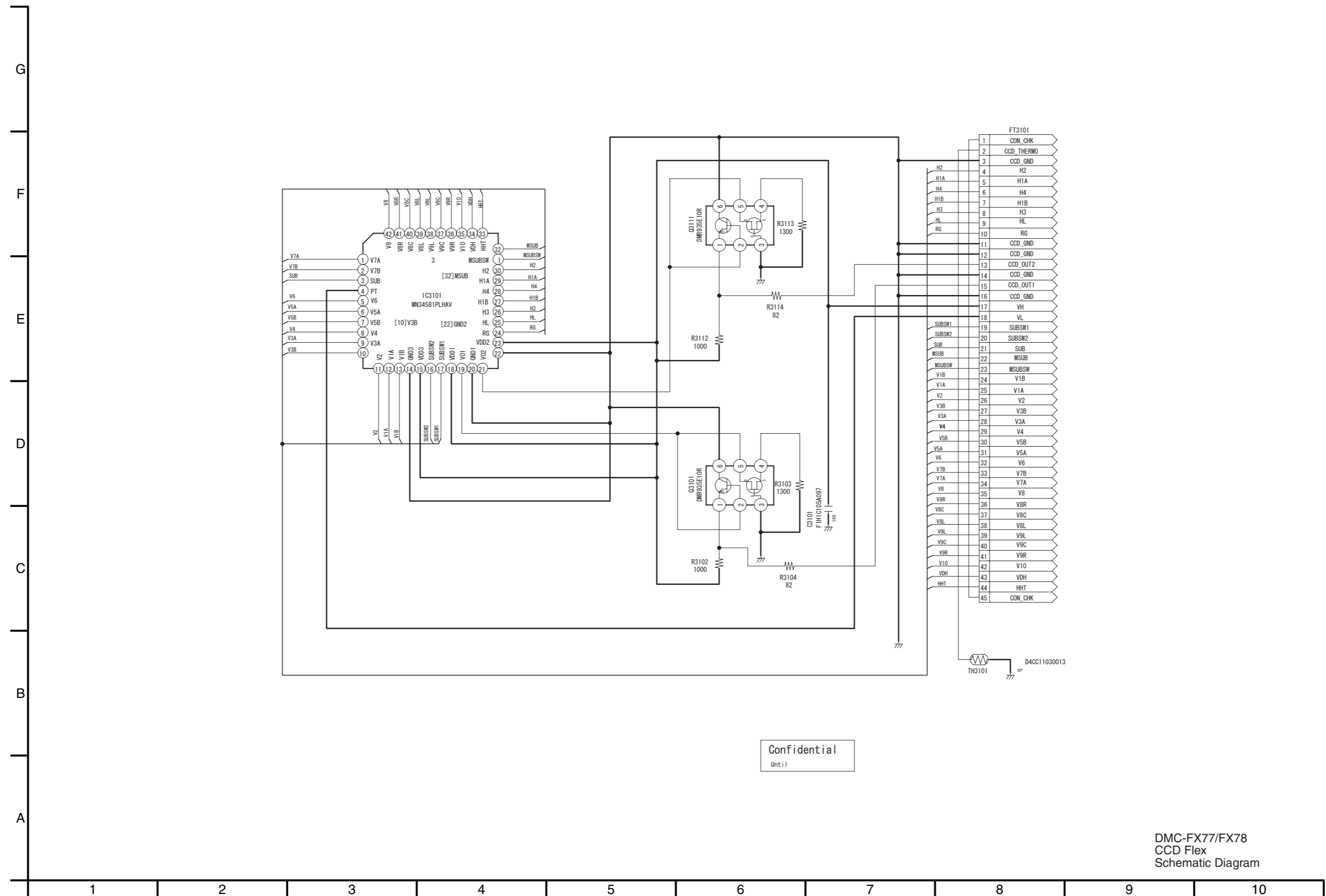
S4.2. Flash Top Schematic Diagram



Confidential
Unit i

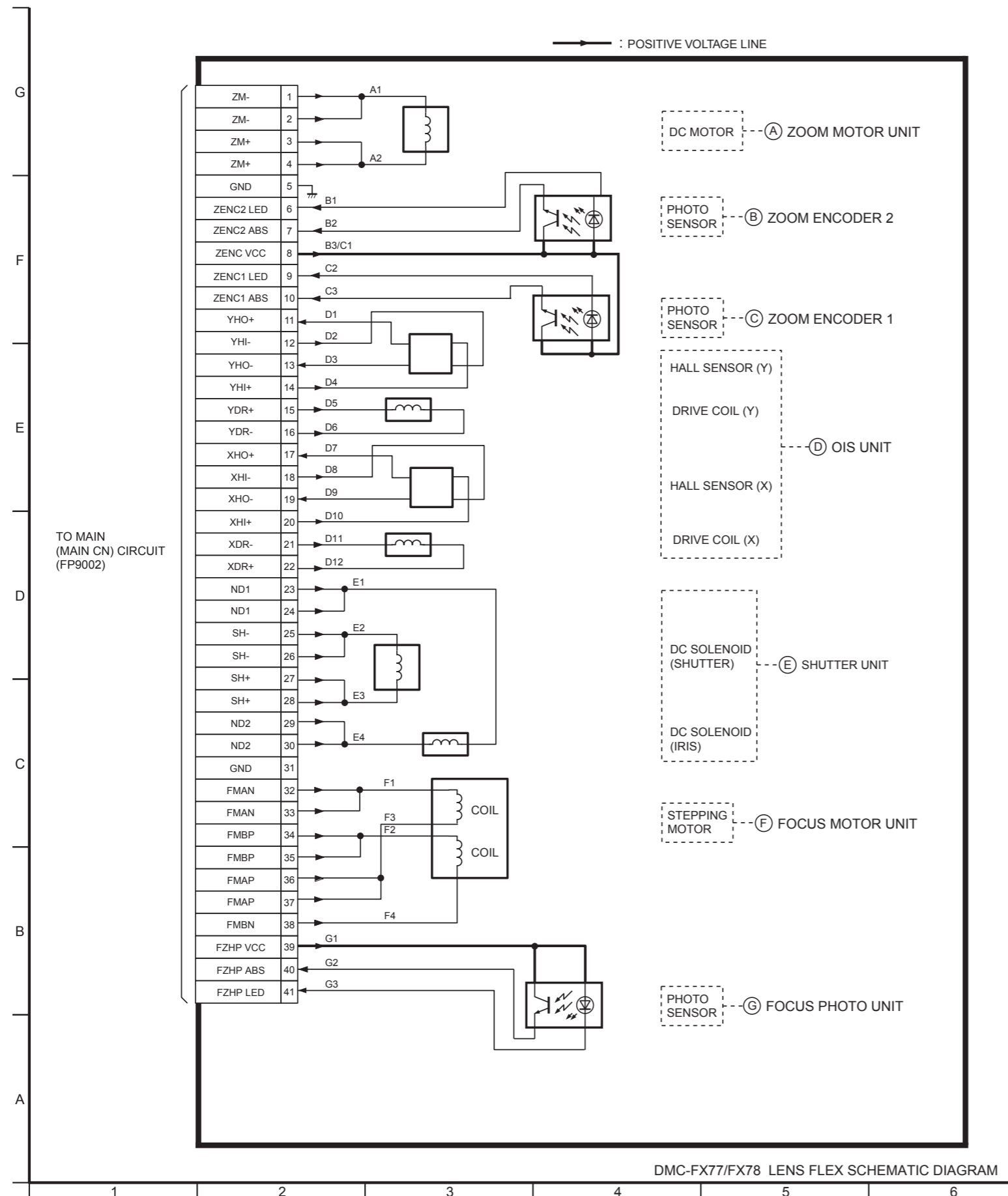
DMC-FX77/FX78
Flash Top
Schematic Diagram

S4.3. CCD Flex Schematic Diagram



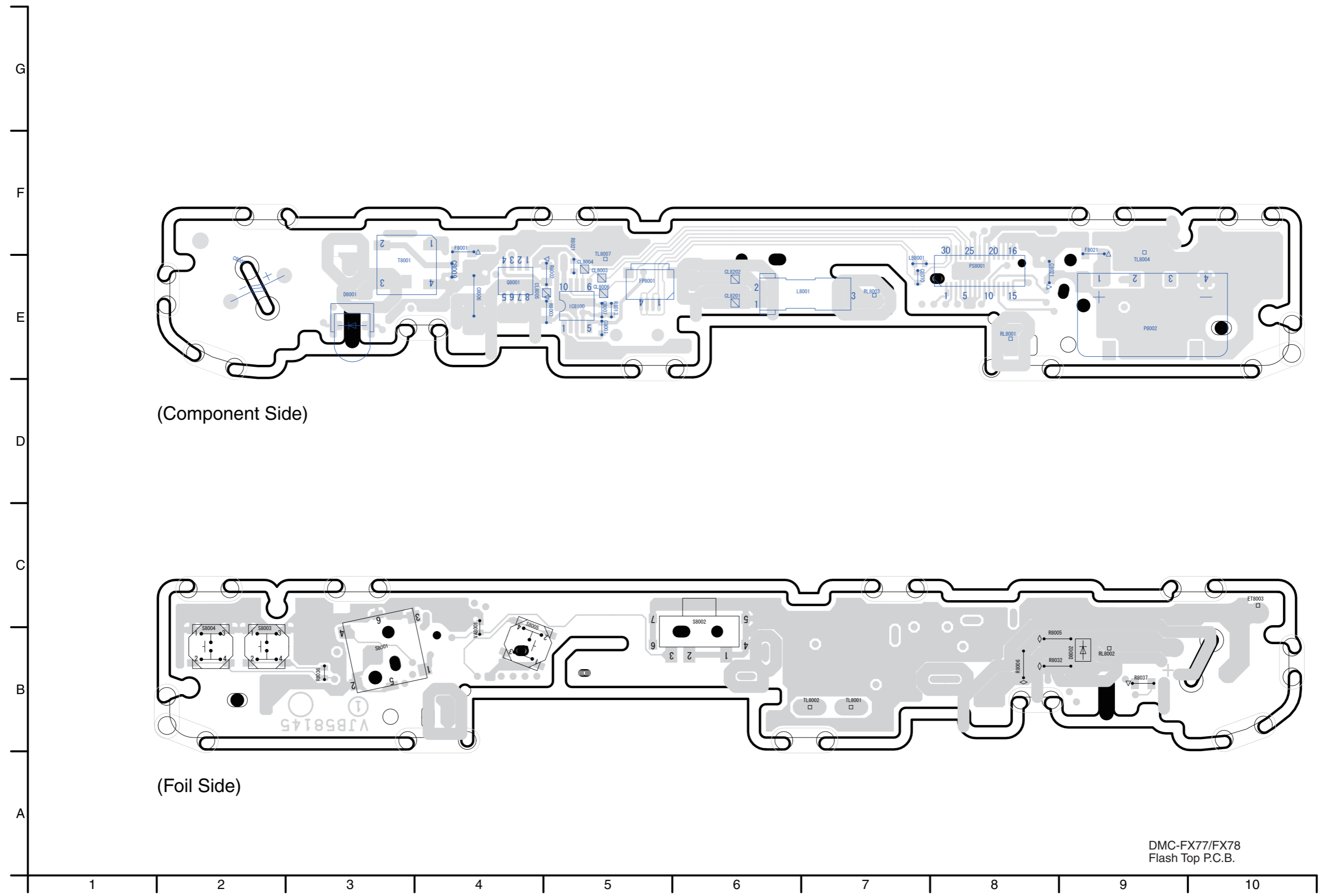
Confidential
Until

S4.4. Lens Flex Schematic Diagram



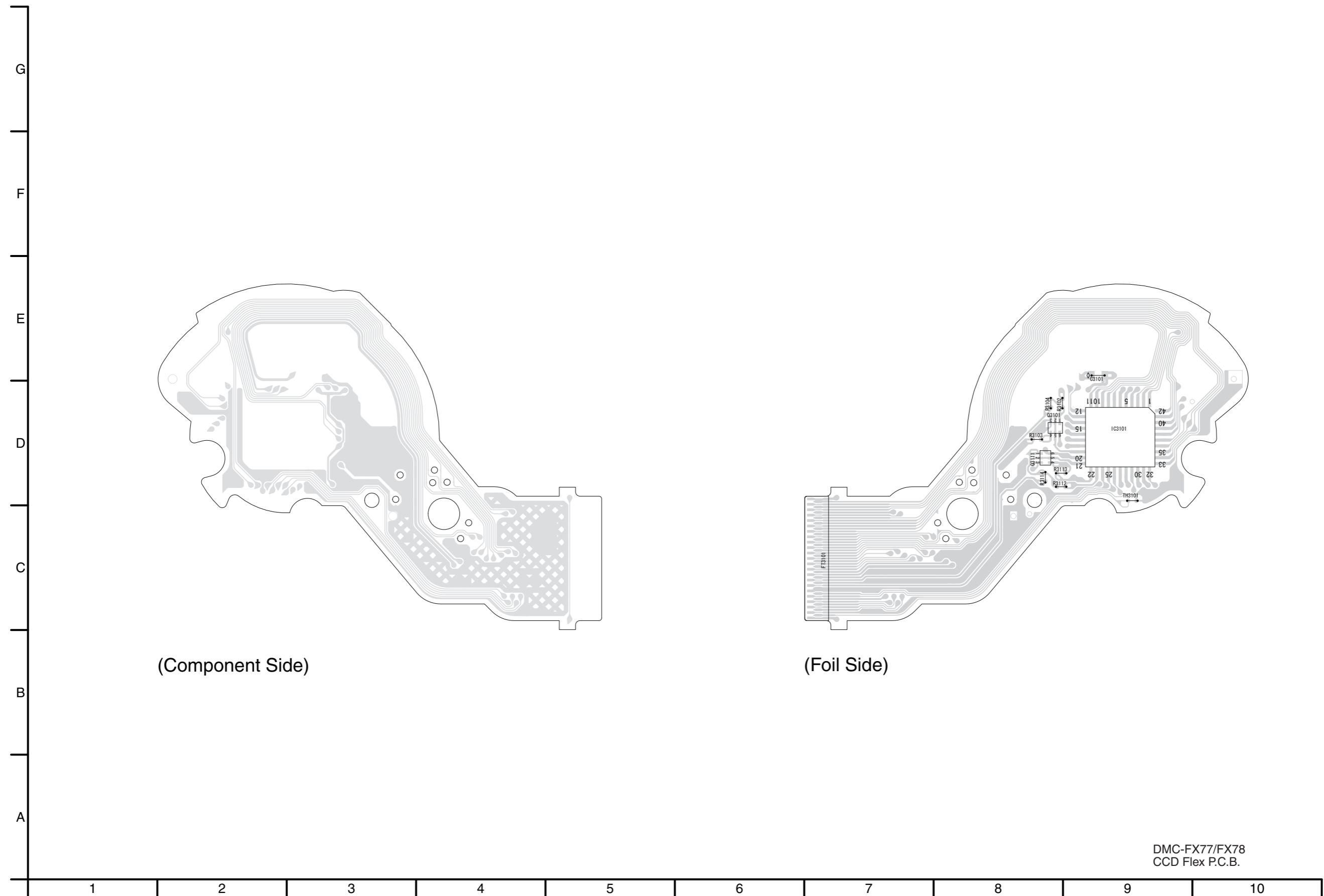
S5. Print Circuit Board

S5.1. Flash Top P.C.B.



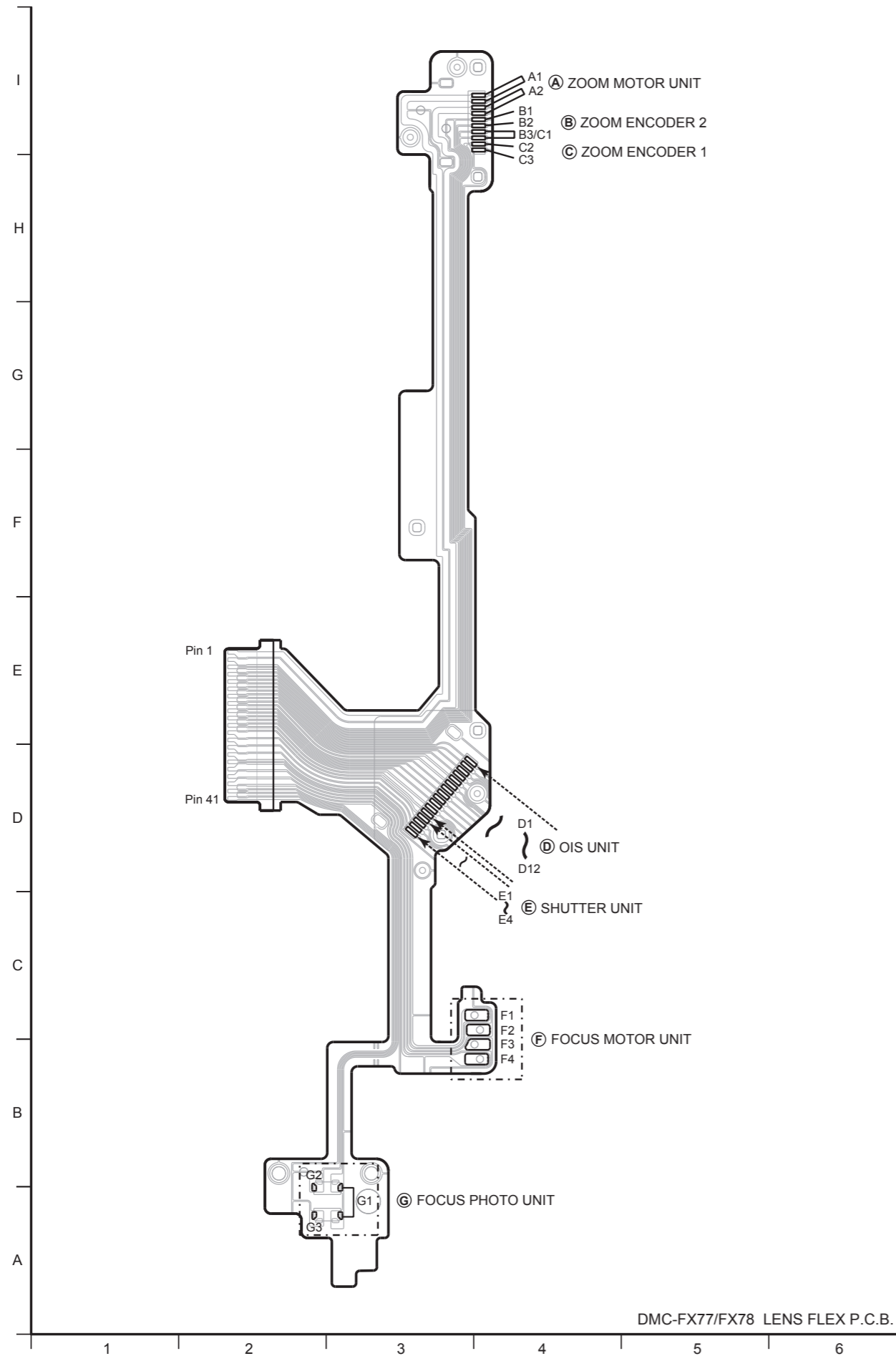
DMC-FX77/FX78
Flash Top P.C.B.

S5.2. CCD Flex P.C.B.




DMC-FX77/FX78
CCD Flex P.C.B.

S5.3. Lens Flex P.C.B.



S6. Replacement Parts List

- Note:
1. * Be sure to make your orders of replacement parts according to this list.
 2. **IMPORTANT SAFETY NOTICE**
Components identified with the mark  have the special characteristics for safety.
When replacing any of these components, use only the same type.
 3. Unless otherwise specified,
All resistors are in OHMS, K=1,000 OHMS. All capacitors are in MICRO-FARADS (uf), P=uuF.
 4. The marking (RTL) indicates the retention time is limited for this item. After the discontinuation of this assembly in production, it will no longer be available.
 5. Supply of CD-ROM, in accordance with license protection, is allowable as replacement parts only for customers who accidentally damaged or lost their own.

E.S.D. standards for Electrostatically Sensitive Devices, refer to PREVENTION OF ELECTROSTATIC DISCHARGE (ESD) TO ELECTROSTATICALLY SENSITIVE (ES) DEVICES section.

Definition of Parts supplier:

1. **Parts marked with [ENERGY] in the remarks column are supplied from Panasonic Corporation Energy Company.**
2. **Parts marked with [PAVCSG] in the remarks column are supplied from PAVCSG. Others are supplied from AVC-CSC-SPC.**

DMC-FX77EG-S

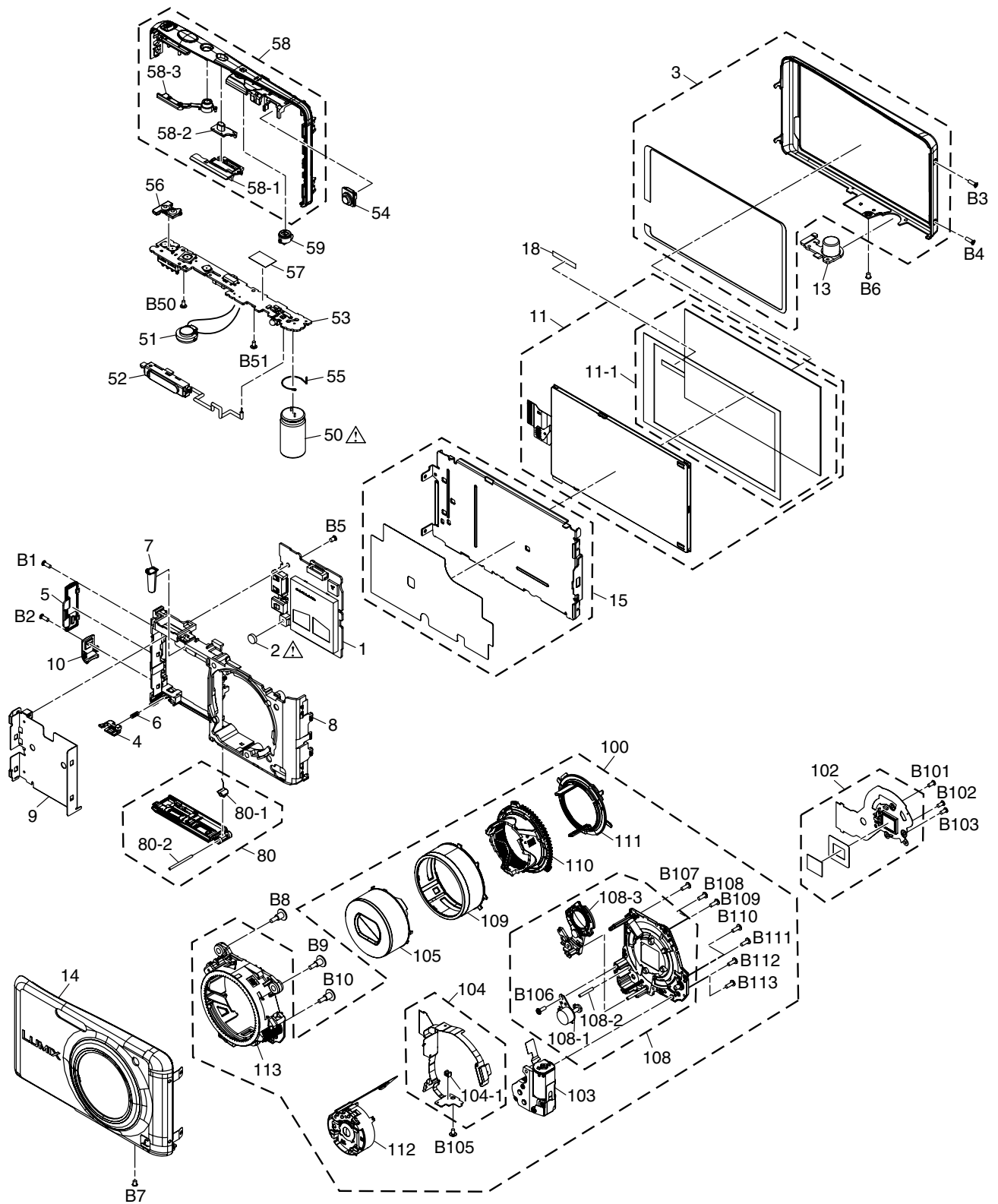
Ref.No.	Part No.	Part Name & Description	Pcs	Remarks	Ref.No.	Part No.	Part Name & Description	Pcs	Remarks
1	VEP56123B	MAIN P.C.B.	1	(RTL) E.S.D. EG,EP,EF,EB	100	VXW1236	LENS UNIT (W/O CCD)	1	
1	VEP56123A	MAIN P.C.B.	1	(RTL) E.S.D. EE,SG,P,PU, GC,GH,GT,GK,GN,GD	102	VEK0R66	CCD UNIT	1	(RTL) E.S.D.
△ 2	ML-421S/ZTK	BATTERY	1	[ENERGY] (B9101)	103	L6DAYYYD0002	ZOOM MOTOR	1	
3	VYK5B99	REAR CASE UNIT	1	EG-S,EP-S,EB-S	104	VEK0R47	LENS FPC P.C.B. UNIT	1	
3	VYK5C00	REAR CASE UNIT	1	EG-K,EP-K,EF-K,EB-K,EE-K	104-1	B3NBA0000018	PHOTO SENSOR	1	
3	VYK5C03	REAR CASE UNIT	1	EG-A,EE-A,SG-A	105	VXP3544	1ST LENS FRAME UNIT	1	
3	VYK5C01	REAR CASE UNIT	1	EG-P,EE-P,SG-P	108	VXQ2053	MASTER FLANGE UNIT	1	
3	VYK5C02	REAR CASE UNIT	1	SG-N	108-1	L6HAYYYD0011	FOCUS MOTOR	1	
3	VYK5C04	REAR CASE UNIT	1	SG-W	108-2	VMB4308	FOCUS SPRING	1	
3	VYK5C52	REAR CASE UNIT	1	P-K,PU-K,GK-K,GH-K,GT-K, GK-K,GD-K	108-3	VXP3553	3RD LENS FRAME UNIT	1	
3	VYK5C55	REAR CASE UNIT	1	P-A,GN-A	109	VXP3546	1ST DIRECT FRAME UNIT	1	
3	VYK5C54	REAR CASE UNIT	1	P-N,GT-N,GK-N	110	VDW2219	CAM FRAME UNIT	1	
3	VYK5C56	REAR CASE UNIT	1	P-W,GC-W,GH-W,GT-W,GK-W, GN-W	111	VDW2218	2ND DIRECT FRAME	1	
3	VYK5C51	REAR CASE UNIT	1	GC-S,GH-S,GK-S,GN-S	112	VXP3548	2ND LENS FRAME UNIT	1	
3	VYK5C53	REAR CASE UNIT	1	GC-P,GH-P,GT-P,GK-P,GN-P, GD-P	113	VXQ2052	FIX FRAME UNIT	1	
4	VGU0H52	BATTERY LOCK KNOB	1		B1	VHD2239	SCREW	1	
5	VKF4810	JACK DOOR	1		B2	VHD2239	SCREW	1	
6	VMB3962	BATTERY LOCK SPRING	1		B3	VHD2239	SCREW	1	(-S,-N,-P,-W)
7	VMB4395	BATTERY OUT SPRING	1		B3	VHD2240	SCREW	1	(-K,-A)
8	VMP9909	FRAME	1		B4	VHD2239	SCREW	1	(-S,-N,-P,-W)
9	VMP9910	BATTERY CASE	1		B4	VHD2240	SCREW	1	(-K,-A)
10	VMP9913	SIDE ORNAMENT	1		B5	VHD1678	SCREW	1	
11	VYK4U97	LCD UNIT	1		B6	VHD2305	SCREW	1	(-S,-N,-P,-W)
11-1	VYK4Y67	TOUCH PANEL UNIT	1		B6	VHD2306	SCREW	1	(-K,-A)
13	VGQ0S60	TRIPOD	1		B7	VHD2306	SCREW	1	(-K,-A)
14	VYK4U58	FRONT CASE UNIT	1	EG-S,EP-S,EB-S,GC-S,GH-S, GK-S,GN-S	B8	VHD2315	SCREW	1	
14	VYK4U60	FRONT CASE UNIT	1	EG-P,EE-P,SG-P,GC-P,GH-P, GT-P,GK-P,GN-P,GD-P	B9	VHD2315	SCREW	1	
14	VYK4U61	FRONT CASE UNIT	1	SG-N,GT-N,GK-N	B10	VHD2315	SCREW	1	
14	VYK4U63	FRONT CASE UNIT	1	SG-W,GC-W,GH-W,GT-W,GK-W, GN-W	B50	VHD2314	SCREW	1	(PAVCSG)
14	VYK4U88	FRONT CASE UNIT	1	P-N	B51	VHD2314	SCREW	1	(PAVCSG)
14	VYK4U90	FRONT CASE UNIT	1	P-W	B101	VHD1871	SCREW	1	
14	VYK4U59	FRONT CASE UNIT	1	EG-K,EP-K,EF-K,EB-K,EE-K, PU-K,GK-K,GH-K,GT-K, GK-K,GD-K	B102	VHD1871	SCREW	1	
14	VYK4U62	FRONT CASE UNIT	1	EG-A,EE-A,SG-A,GN-A	B103	VHD1871	SCREW	1	
14	VYK4U86	FRONT CASE UNIT	1	P-K	B105	VHD2011	SCREW	1	
14	VYK4U89	FRONT CASE UNIT	1	P-A	B106	VHD2296	SCREW	1	
15	VYK4Y69	FRAME PLATE UNIT	1		B107	VHD2296	SCREW	1	
△ 50	F2A2F6400001	E.CAPACITOR	1	(PAVCSG) (C8003)	B108	VHD2296	SCREW	1	
51	L0AA01A00048	SPEAKER	1	(PAVCSG)	B109	VHD2296	SCREW	1	
52	VEK0R40	FLASH UNIT	1	(PAVCSG)	B110	VHD2296	SCREW	1	
53	VEP58145A	FLASH TOP P.C.B.	1	(RTL) (PAVCSG) E.S.D.	B111	VHD2296	SCREW	1	
54	VGL1367	AF PANEL LIGHT	1	(PAVCSG)	B112	VHD2296	SCREW	1	
55	VMB4464	EARTH SPRING	1	(PAVCSG) (ET8003)	B113	VHD2296	SCREW	1	
56	VMT2159	ZOOM CUSHION	1	(PAVCSG)					
57	VMX3879	SPEAKER SHEET	1	(PAVCSG)					
58	VYK4S89	TOP CASE ASSY	1	(PAVCSG)					
58-1	VGQ0S38	POWER KNOB BASE	1	(PAVCSG)					
58-2	VGU0H80	POWER KNOB	1	(PAVCSG)					
58-3	VGU0H83	REC BUTTON	1	(PAVCSG)					
59	WM-G10DT651	MIC UNIT	1	(PAVCSG)					
80	VYK4Q36	BATTERY DOOR UNIT	1	(S) (PAVCSG)					
80	VYK4Q37	BATTERY DOOR UNIT	1	(K) (PAVCSG)					
80	VYK4Q39	BATTERY DOOR UNIT	1	(N) (PAVCSG)					
80	VYK4Q40	BATTERY DOOR UNIT	1	(A) (PAVCSG)					
80	VYK4Q38	BATTERY DOOR UNIT	1	(P) (PAVCSG)					
80	VYK4Q41	BATTERY DOOR UNIT	1	(W) (PAVCSG)					
80-1	VMB4143	BATTERY DOOR SPRING	1	(PAVCSG)					
80-2	VMS7863	BATTERY DOOR SHAFT	1	(PAVCSG)					

DMC-FX77EG-S

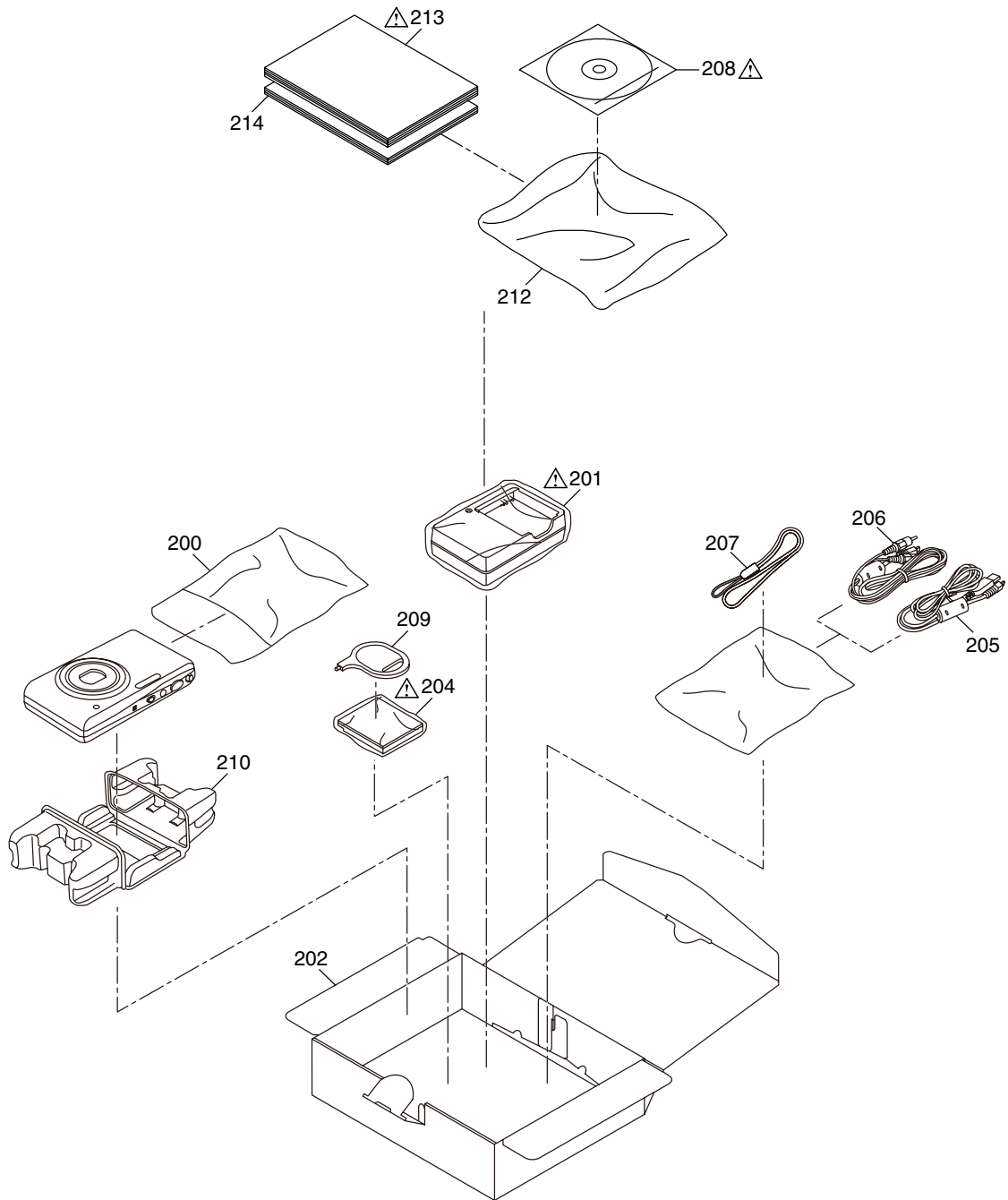
Ref.No.	Part No.	Part Name & Description	Pcs	Remarks	Ref.No.	Part No.	Part Name & Description	Pcs	Remarks
300	VPF1317	CAMERA BAG	1	EXCEPT P	△ 313	VQT3G24	BASIC O/I (HUNGARIAN/FINNISH)	1	EP
302	VPK4883	PACKING CASE	1	SG-N	△ 313	VQT3G25	BASIC O/I (FRENCH)	1	EF
302	VPK4905	PACKING CASE	1	SG-W	△ 313	VQT3G27	BASIC O/I (RUSSIAN/UKRAINIAN)	1	EE
302	VPK4896	PACKING CASE	1	EG-P,EE-P,SG-P	△ 313	VQT3G21	BASIC O/I (TURKISH)	1	EG
302	VPK4897	PACKING CASE	1	GC-P,GH-P,GT-P,GN-P,GD-P	314	VQC8096	O/I SOFTWARE (ENGLISH/ CHINESE(TRADITIONAL)/ ARABIC/PERSIAN)	1	SG,GC,GH
302	VPK4906	PACKING CASE	1	GC-W,GH-W,GT-W,GN-W	314	VQC8094	O/I SOFTWARE (ENGLISH)	1	EB,GN
302	VPK4884	PACKING CASE	1	GT-N	314	VQC8091	O/I SOFTWARE (GERMAN/FRENCH/ITALIAN/ DUTCH/SPANISH/ PORTUGUESE/TURKISH)	1	EG
302	VPK4887	PACKING CASE	1	EG-S,EP-S,EB-S	314	VQC8092	O/I SOFTWARE (FINNISH/SWEDISH/DANISH/ POLISH/CZECH/HUNGARIAN)	1	EP
302	VPK4888	PACKING CASE	1	GC-S,GH-S,GN-S	314	VQC8097	O/I SOFTWARE (CHINESE(TRADITIONAL))	1	GT
302	VPK4901	PACKING CASE	1	EG-A,EE-A,SG-A	314	VQC8099	O/I SOFTWARE (KOREAN)	1	GD
302	VPK4902	PACKING CASE	1	GN-A	314	VQC8090	O/I SOFTWARE (SPANISH/PORTUGUESE)	1	PU
302	VPK4891	PACKING CASE	1	EG-K,EP-K,EF-K,EB-K,EE-K	314	VQC8098	O/I SOFTWARE (CHINESE(SIMPLIFIED))	1	GK
302	VPK4885	PACKING CASE	1	GK-N	314	VQC8093	O/I SOFTWARE (FRENCH)	1	EF
302	VPK4898	PACKING CASE	1	GK-P	314	VQC8095	O/I SOFTWARE (RUSSIAN/UKRAINIAN)	1	EE
302	VPK4907	PACKING CASE	1	GK-W	315	VQL2C68-1	OPERATING LABEL	1	GT
302	VPK4892	PACKING CASE	1	PU-K,GC-K,GH-K,GT-K,GD-K	△ 316	K2CT39A00002	AC CORD W/PLUG	1	EB,GC,GH
302	VPK4889	PACKING CASE	1	GK-S	△ 317	K2CQ29A00002	AC CORD W/PLUG	1	EG,EP,EF,EE,GC
302	VPK4893	PACKING CASE	1	GK-K	△ 317	K2CR29A00001	AC CORD W/PLUG	1	GD
△ 303	DE-A92AA	BATTERY CHARGER	1	EG,EP,EF,EB,EE,GN	△ 318	K2CJ29A00002	AC CORD W/PLUG	1	GN
△ 303	DE-A92EA	BATTERY CHARGER	1	SG	△ 319	K2CA29A00023	AC CORD W/PLUG	1	SG
△ 303	DE-A91BA	BATTERY CHARGER	1	PU	△ 319	K2CA29A00021	AC CORD W/PLUG	1	GT
△ 303	DE-A92BA	BATTERY CHARGER	1	GC,GH,GK,GD	△ 319	K2CA2Y00070	AC CORD W/PLUG	1	GK
△ 303	DE-A92CA	BATTERY CHARGER	1	GT					
△ 304	----	BATTERY	1	EG,EP,EF,EB,EE,SG,PU,GC,G H,GT,GN,GD					
△ 304	----	BATTERY	1	GK					
305	K1HY08YY0019	USB CABLE W/PLUG	1	EXCEPT P					
306	K1HY08YY0020	AV CABLE W/PLUG	1	EXCEPT P					
307	VFC4297	HAND STRAP	1	EXCEPT P					
△ 308	VFF0760-S	CD-ROM (SOFT/INSTRUCTION BOOK)	1	EG See "Notes"					
△ 308	VFF0761-S	CD-ROM (SOFT/INSTRUCTION BOOK)	1	EE See "Notes"					
△ 308	VFF0762-S	CD-ROM (SOFT/INSTRUCTION BOOK)	1	GC,GH,GN,SG See "Notes"					
△ 308	VFF0763-S	CD-ROM (SOFT/INSTRUCTION BOOK)	1	GT,GD See "Notes"					
△ 308	VFF0764-S	CD-ROM (SOFT/INSTRUCTION BOOK)	1	GK See "Notes"					
△ 308	VFF0802-S	CD-ROM (SOFT/INSTRUCTION BOOK)	1	EP,EF,EB See "Notes"					
△ 308	VFF0759-S	CD-ROM (SOFT/INSTRUCTION BOOK)	1	PU See "Notes"					
309	YGQ0C14	TOUCH PEN	1	EXCEPT P					
310	VPN7184	CUSHION	1	EXCEPT P					
312	VPF1230	BAG, POLYETHYLENE	1	EXCEPT P					
△ 313	VQT3G28	BASIC O/I (ENGLISH/ CHINESE(TRADITIONAL))	1	SG,GC,GH					
△ 313	VQT3G26	BASIC O/I (ENGLISH)	1	EB					
△ 313	VQT3G29	BASIC O/I (ARABIC/PERSIAN)	1	GC					
△ 313	VQT3G18	BASIC O/I (GERMAN/FRENCH)	1	EG					
△ 313	VQT3G22	BASIC O/I (SWEDISH/DANISH)	1	EP					
△ 313	VQT3M13	BASIC O/I (VIETNAMESE)	1	GC					
△ 313	VQT3G32	BASIC O/I (ENGLISH)	1	GN					
△ 313	VQT3G33	BASIC O/I (KOREAN)	1	GD					
△ 313	VQT3G19	BASIC O/I (ITALIAN/DUTCH)	1	EG					
△ 313	VQT3G23	BASIC O/I (POLISH/CZECH)	1	EP					
△ 313	VQT3G17	BASIC O/I (SPANISH/PORTUGUESE)	1	PU					
△ 313	VQT3G30	BASIC O/I (CHINESE(TRADITIONAL))	1	GT					
△ 313	VQT3G31	BASIC O/I (CHINESE(SIMPLIFIED))	1	GK					
△ 313	VQT3G20	BASIC O/I (SPANISH/PORTUGUESE)	1	EG					

S7. Exploded View

S7.1. Frame and Casing Section



S7.2. Packing Parts and Accessories Section (1)



S7.3. Packing Parts and Accessories Section (2)

