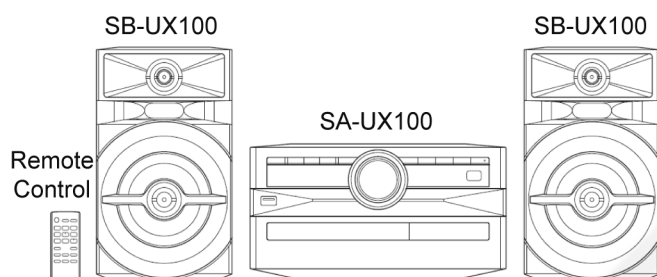


Service Manual

CD Stereo System

Model No. **SA-UX100E**
SA-UX100GN
SA-UX100GS

Product Color: (K)...Black Type



Notes: Please use this manual together with service manual Model No. [SA-AKX100PSK], Order no. (PSG1608001CE).

- CD Mechanism Unit (BRS12C) , Order No. PSG1303059AE
- Speaker system SB-UX100GN-K, Order No: PSG1609002AE

⚠ WARNING

This service information is designed for experienced repair technicians only and is not designed for use by the general public. It does not contain warnings or cautions to advise non-technical individuals of potential dangers in attempting to service a product. Products powered by electricity should be serviced or repaired only by experienced professional technicians. Any attempt to service or repair the product or products dealt with in this service information by anyone else could result in serious injury or death.

IMPORTANT SAFETY NOTICE

There are special components used in this equipment which are important for safety. These parts are marked by ⚠ in the Schematic Diagrams, Circuit Board Diagrams, Exploded Views and Replacement Parts List. It is essential that these critical parts should be replaced with manufacturer's specified parts to prevent shock, fire or other hazards. Do not modify the original design without permission of manufacturer.

TABLE OF CONTENTS

	PAGE		PAGE
1 Notes	3	4.2. Main Unit Key Button Operation.....	10
2 Safety Precautions	3	5 Disassembly and Assembly Instructions	11
2.1. General Guidelines.....	3	5.1. With reference to original service manual	
2.2. Before Repair and Adjustment	4	Section 8.9 "Disassembly of Rear Cabinet",	
2.3. Protection Circuitry	5	here is the change for this model	11
2.4. Caution For AC Cord (For E/GS)	6	6 Schematic Diagram	13
2.5. Safety Parts Information	7	6.1. Main (MICON) Circuit (1/2)	13
3 Specifications	8	6.2. Main (MICON) Circuit (2/2)	14
4 Location of Controls and Components	9	6.3. Main (AUX Tuner) Circuit	15
4.1. Remote Control Key Button Operation.....	9	6.4. Main (DAMP) Circuit	16

Panasonic®

© Panasonic Corporation 2016. All rights reserved.
 Unauthorized copying and distribution is a violation of law.

6.5. Main (Voltage Regulator) Circuit -----	17
7 Printed Circuit Board -----	18
7.1. Main P.C.B. -----	18
8 Exploded View and Replacement Parts List -----	19
8.1. Cabinet Parts Location 1 -----	19
8.2. Packaging-----	20
8.3. Mechanical Replacement Part List -----	21
8.4. Electrical Replacement Part List -----	23

1 Notes

This simplified service manual is based on SA-AKX100PS (Order No. PSG1608001CE).

1) This service manual contains only following information

- Safety Precautions
- Specifications
- Locations of Controls and Components
- Disassembly and Assembly Instructions
 - Location of Rear Shield
- Schematic Diagram
 - Main (MICON) Circuit
 - Main (Aux Tuner) Circuit
 - Main (DAMP) Circuit
 - Main (Voltage Regulator) Circuit
- Printed Circuit Board
 - Main P.C.B.
- Exploded View and Replacement Parts List

2 Safety Precautions

2.1. General Guidelines

1. IMPORTANT SAFETY NOTICE

There are special components used in this equipment which are important for safety. These parts are marked by \triangle in the Schematic Diagrams, Circuit Board Layout, Exploded Views and Replacement Parts List. It is essential that these critical parts should be replaced with manufacturer's specified parts to prevent X-RADIATION, shock, fire, or other hazards. Do not modify the original design without permission of manufacturer.

2. An Isolation Transformer should always be used during the servicing of AC Adaptor whose chassis is not isolated from the AC power line. Use a transformer of adequate power rating as this protects the technician from accidents resulting in personal injury from electrical shocks. It will also protect AC Adaptor from being damaged by accidental shorting that may occur during servicing.
3. When servicing, observe the original lead dress. If a short circuit is found, replace all parts which have been overheated or damaged by the short circuit.
4. After servicing, see to it that all the protective devices such as insulation barriers, insulation papers shields are properly installed.
5. After servicing, make the following leakage current checks to prevent the customer from being exposed to shock hazards.

2.1.1. Leakage Current Cold Check

1. Unplug the AC cord and connect a jumper between the two prongs on the plug.
2. Measure the resistance value, with an ohmmeter, between the jumpered AC plug and each exposed metallic cabinet part on the equipment such as screwheads, connectors, control shafts, etc. When the exposed metallic part has a return path to the chassis, the reading should be between $1M\Omega$ and $5.2M\Omega$.

When the exposed metal does not have a return path to the chassis, the reading must be ∞

2.1.2. Leakage Current Hot Check

1. Plug the AC cord directly into the AC outlet. Do not use an isolation transformer for this check.
2. Connect a 1.5k Ω , 10 watts resistor, in parallel with a 0.15 μ F capacitors, between each exposed metallic part on the set and a good earth ground such as a water pipe, as shown in Figure 1-1.
3. Use an AC voltmeter, with 1000 ohms/volt or more sensitivity, to measure the potential across the resistor.
4. Check each exposed metallic part, and measure the voltage at each point.
5. Reverse the AC plug in the AC outlet and repeat each of the above measurements.
6. The potential at any point should not exceed 0.75 volts RMS. A leakage current tester (Simpson Model 229 or equivalent) may be used to make the hot checks, leakage current must not exceed 1/2 milliamp. In case a measurement is outside of the limits specified, there is a possibility of a shock hazard, and the equipment should be repaired and rechecked before it is returned to the customer.

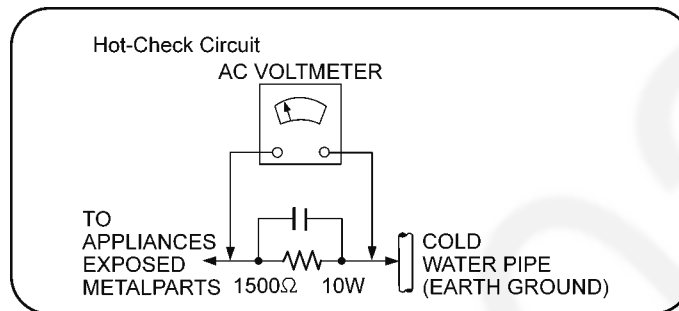


Figure 1-1

2.2. Before Repair and Adjustment

Disconnect AC power to discharge AC capacitor (in SMPS Module) as indicate below diagram through a 10 Ω , 10 W resistor to ground.

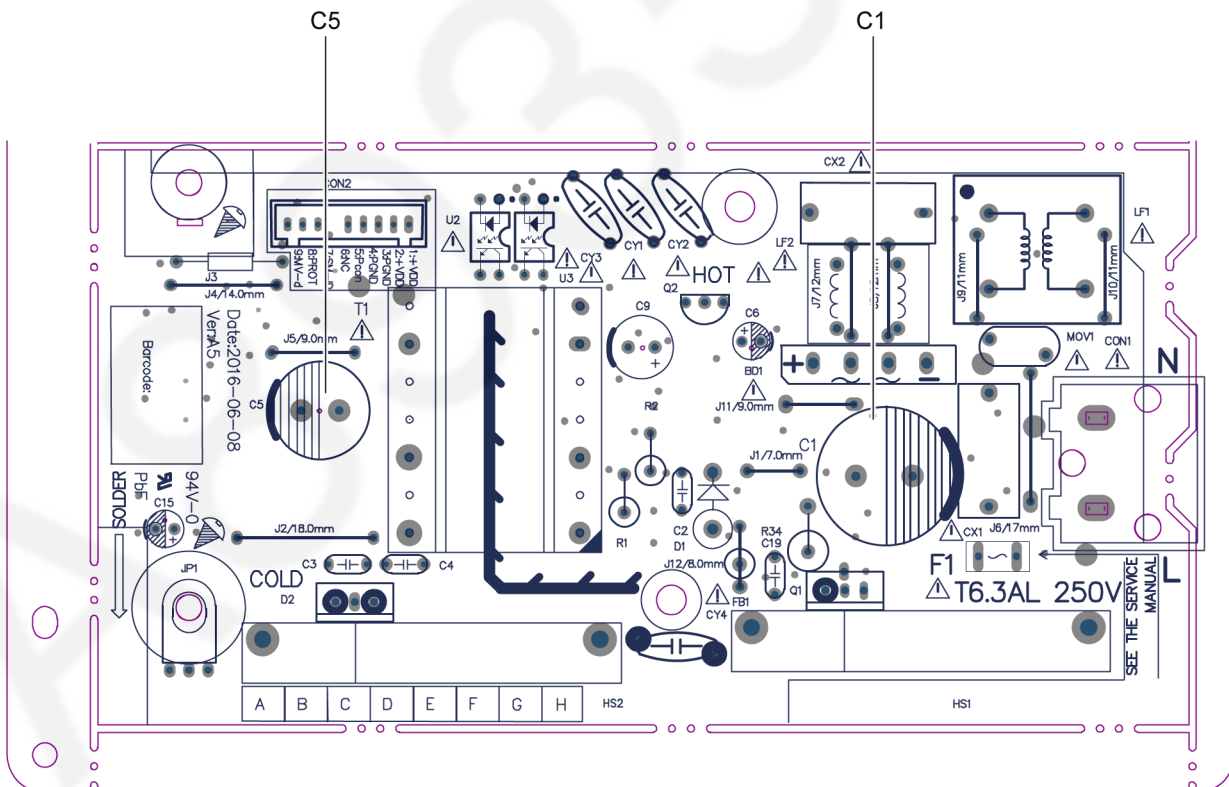


Figure 1-2

Caution:

DO NOT SHORT-CIRCUIT DIRECTLY (with a screwdriver blade, for instance), as this may destroy solid state devices.

After repairs are completed, restore power gradually using a variac to avoid overcurrent.

Current consumption at AC 220~240 V, 50 Hz in Power ON, FM Tuner at volume minimal mode should be ~ 350 mA (For E/GN).

Current consumption at AC 220~240 V, 50/60 Hz in Power ON, FM Tuner at volume minimal mode should be ~ 350 mA (For GS).

2.3. Protection Circuitry

The protection circuitry may have operated if either of the following conditions are noticed:

- No sound is heard when the power is turned on.
- Sound stops during a performance.

The function of this circuitry is to prevent circuitry damage if, for example, the positive and negative speaker connection wires are "shorted", or if speaker systems with an impedance less than the indicated rated impedance of the amplifier are used.

If this occurs, follow the procedure outlines below:

1. Turn off the power.
2. Determine the cause of the problem and correct it.
3. Turn on the power once again after one minute.

Note:

When the protection circuitry functions, the unit will not operate unless the power is first turned off and then on again.

2.4. Caution For AC Cord (For E/GS)

For your safety, please read the following text carefully.

This appliance is supplied with a moulded three pin mains plug for your safety and convenience.

A 5-ampere fuse is fitted in this plug.

Should the fuse need to be replaced please ensure that the replacement fuse has a rating of 5-ampere and that it is approved by ASTA or BSI to BS1362.

Check for the ASTA mark \diamond or the BSI mark ∇ on the body of the fuse.

If the plug contains a removable fuse cover you must ensure that it is refitted when the fuse is replaced.

If you lose the fuse cover the plug must not be used until a replacement cover is obtained.

A replacement fuse cover can be purchased from your local dealer.

CAUTION!

IF THE FITTED MOULDED PLUG IS UNSUITABLE FOR THE SOCKET OUTLET IN YOUR HOME THEN THE FUSE SHOULD BE REMOVED AND THE PLUG CUT OFF AND DISPOSED OF SAFELY. THERE IS A DANGER OF SEVERE ELECTRICAL SHOCK IF THE CUT OFF PLUG IS INSERTED INTO ANY 13-AMPERE SOCKET.

If a new plug is to be fitted please observe the wiring code as stated below.

If in any doubt please consult a qualified electrician.

IMPORTANT

The wires in this mains lead are coloured in accordance with the following code:

Blue: Neutral, Brown: Live.

As these colours may not correspond with the coloured markings identifying the terminals in your plug, proceed as follows:

The wire which is coloured Blue must be connected to the terminal which is marked with the letter N or coloured Black or Blue.

The wire which is coloured Brown must be connected to the terminal which is marked with the letter L or coloured Brown or Red.

WARNING: DO NOT CONNECT EITHER WIRE TO THE EARTH TERMINAL WHICH IS MARKED WITH THE LETTER E, BY THE EARTH SYMBOL \perp OR COLOURED GREEN OR GREEN/YELLOW.

THIS PLUG IS NOT WATERPROOF—KEEP DRY.

Before use

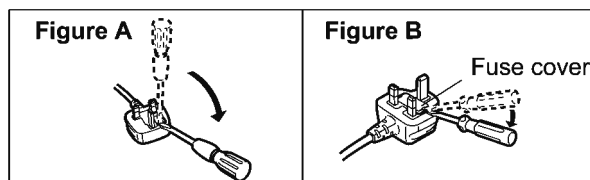
Remove the connector cover.

How to replace the fuse

The location of the fuse differ according to the type of AC mains plug (figures A and B). Confirm the AC mains plug fitted and follow the instructions below.

Illustrations may differ from actual AC mains plug.

1. Open the fuse cover with a screwdriver.



2. Replace the fuse and close or attach the fuse cover.

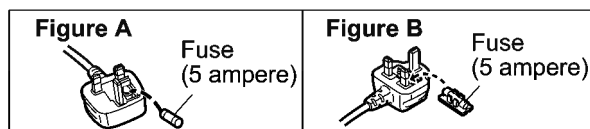


Figure 1-3

2.5. Safety Parts Information

Safety Parts List:

There are special components used in this equipment which are important for safety.

These parts are marked by \triangle in the Schematic Diagrams, Exploded View & Replacement Parts List. It is essential that these critical parts should be replaced with manufacturer's specified parts to prevent shock, fire or other hazards. Do not modify the original design without permission of manufacturer.

Safety	Ref No.	Part No.	Part Name & Description	Remarks
\triangle	7	TKFA22101	TOP CABINET	
\triangle	11	TBMK4271B	NAME PLATE	GN
\triangle	11	TBMK4271C	NAME PLATE	GS
\triangle	11	TBMK4271D	NAME PLATE	E
\triangle	301	TXQ0011	TRAVERSE ASS'Y	(E.S.D)
\triangle	A2	K2CJ2YY00101	AC CORD	GN
\triangle	A2	K2CP2YY00061	AC CORD	GS
\triangle	A2	K2CQ2YY00119	AC CORD	E, GS
\triangle	A2	K2CT2YY00097	AC CORD	E, GS
\triangle	A3	TQBJ0969	O/I (En)	GN, GS
\triangle	A3	TQBJ0970	O/I (Cn)	GS
\triangle	A3	TQBJ0971	O/I (Ge/Fr/It/Du)	E
\triangle	A3	TQBJ0972	O/I (Sp/Po/Cz)	E
\triangle	A3	TQBJ0975	O/I (Ar)	GS
\triangle	A3	TQBJ0976	O/I (En/Sw/Da/Fi)	E
\triangle	PCB4	N0AE1GN00001	SMPS MODULE	

3 Specifications

■ Amplifier section

RMS output power stereo mode

Front Ch (both ch driven) 150 W per channel (4 Ω), 1 kHz, 30% THD
Total RMS stereo mode power 300 W

PMPO output power 3300 W (For GN/GS)

■ Tuner, terminals section

Frequency modulation (FM)

Preset memory 30 stations
Frequency range

87.50 MHz to 108.00 MHz (50 kHz step)

Antenna terminals 75 Ω (unbalanced)

Analog audio input

Audio input Pin jack (1 system)

■ Disc section

Disc played (8 cm or 12 cm)

CD, CD-R/RW (CD-DA, MP3*)

* MPEG-1 Layer 3

Pick up

Wavelength 790 nm (CD)

■ USB section

USB port

USB standard USB 2.0 full speed
Media file format support MP3 (*.mp3)
USB device file system FAT12, FAT16, FAT32

■ Bluetooth® section

Version

Bluetooth® Ver. 2.1 + EDR

Class

Class 2

Supported profiles

A2DP, AVRCP, SPP

Operating frequency

2.4 GHz band FH-SS

Operation distance

10 m line of sight

■ General

Power supply

AC 220 V to 240 V, 50 Hz (For E/GN)
AC 220 V to 240 V, 50/60 Hz (For GS)

Power consumption

49 W

Dimensions (W x H x D)

250 mm x 132 mm x 227 mm

Mass

1.7 kg

Operating temperature range

0 °C to +40 °C

Operating humidity range

35% to 80% RH
(no condensation)

Power consumption in standby mode (approximate)

0.5 W

Power consumption in standby mode (approximate)

0.6 W

(With "BLUETOOTH STANDBY" set to "ON")

Note:

1. Specifications are subject to change without notice. Mass and dimension are approximate.
2. Total harmonic distortion is measured by the digital spectrum analyzer.

■ System: SC-UX100E-K

Main Unit: SA-UX100E-K
Speakers: SB-UX100GN-K

■ System: SC-UX100GN-K

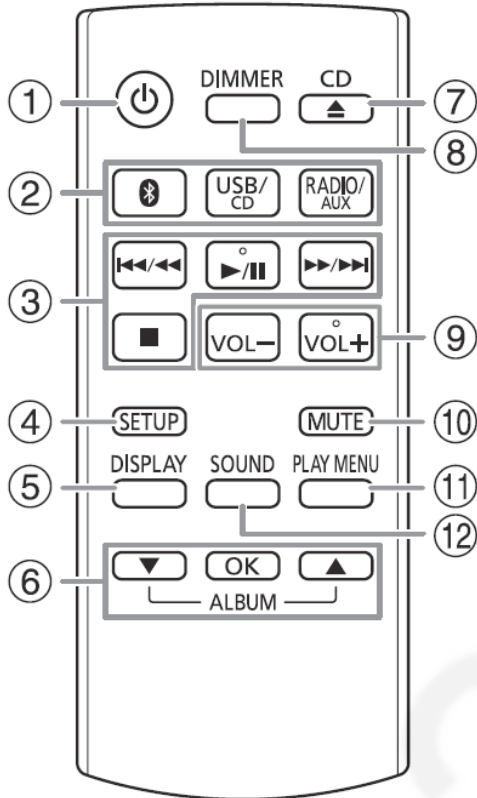
Main Unit: SA-UX100GN-K
Speakers: SB-UX100GN-K

■ System: SC-UX100GS-K

Main Unit: SA-UX100GS-K
Speakers: SB-UX100GN-K

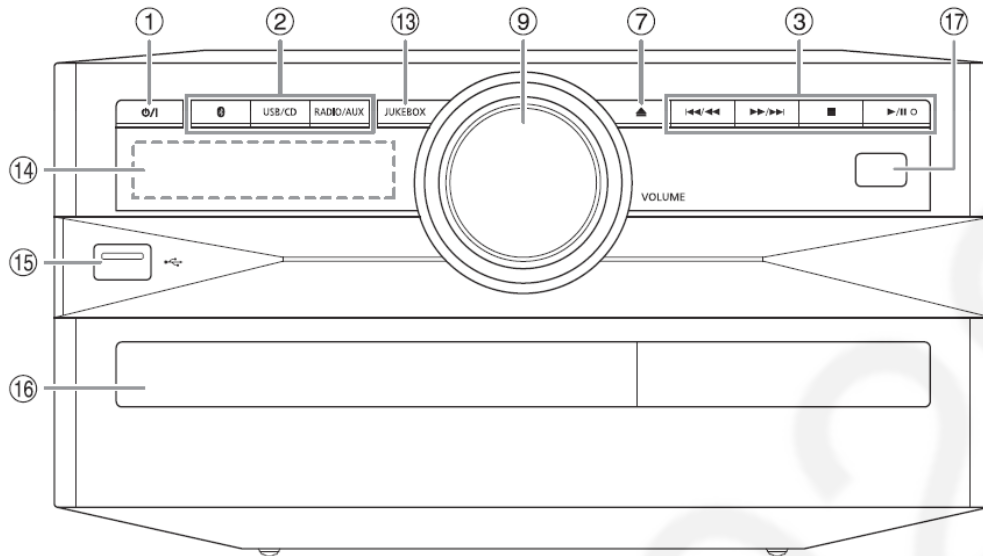
4 Location of Controls and Components

4.1. Remote Control Key Button Operation



- ① **Standby/on switch** [⏻], [⏻/⏿]
Press to switch the unit from on to standby mode or vice versa. In standby mode, the unit is still consuming a small amount of power.
- ② **Select the audio source**
On the main unit:
To start Bluetooth® pairing, press and hold [📶].
- ③ Basic playback control
- ④ View the setup menu
- ⑤ View the content information
- ⑥ Select or confirm the option
- ⑦ Open or close the disc tray
- ⑧ **Decrease the brightness of the display panel**
The illumination is also switched off.
To cancel, press the button again.
- ⑨ Adjust the volume level
- ⑩ **Mute the sound**
To cancel, press the button again.
“MUTE” is also cancelled when you adjust the volume or when you switch off the system.
- ⑪ View the play menu
- ⑫ Select the sound effects

4.2. Main Unit Key Button Operation



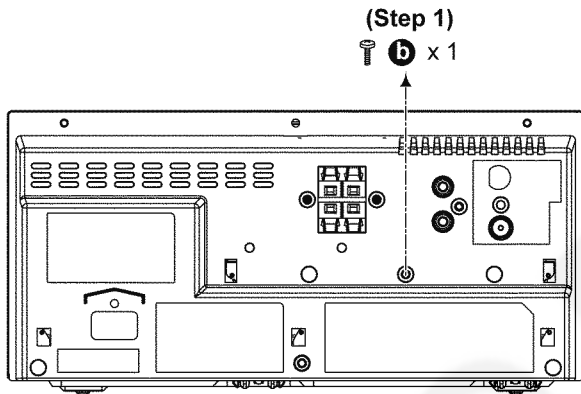
- ① **Standby/on switch** [⏻], [⏻/⏻]
Press to switch the unit from on to standby mode or vice versa. In standby mode, the unit is still consuming a small amount of power.
- ② **Select the audio source**
On the main unit:
To start Bluetooth® pairing, press and hold [📶].
- ③ Basic playback control
- ⑦ Open or close the disc tray
- ⑨ Adjust the volume level
- ⑬ Select the jukebox
- ⑭ Display panel
- ⑮ USB port (🔌)
- ⑯ Disc tray
- ⑰ **Remote control sensor**
Distance: Within approximately 7 m
Angle: Approximately 20° up and down, 30° left and right

5 Disassembly and Assembly Instructions

5.1. With reference to original service manual Section 8.9 “Disassembly of Rear Cabinet”, here is the change for this model

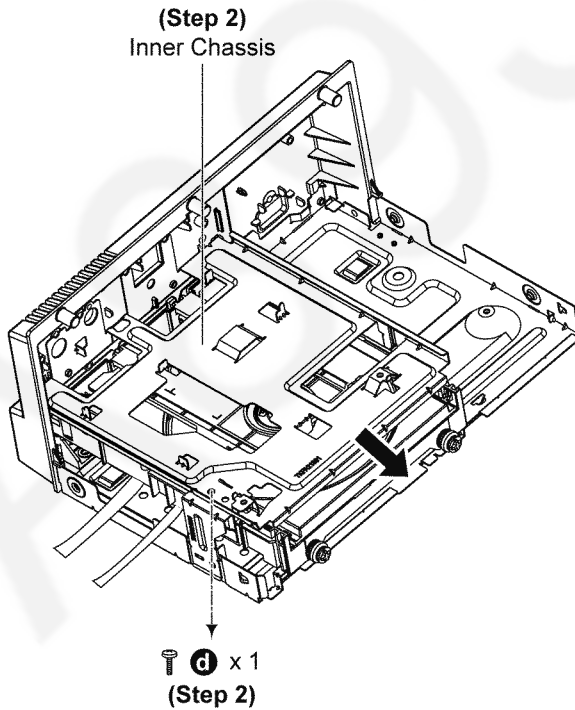
- Refer to “Disassembly of Top Cabinet”.
- Refer to “Disassembly of Front Panel Unit”.
- Refer to “Disassembly of Main P.C.B.”.
- Refer to “Disassembly of SMPS Module”.

Step 1 Remove screw.



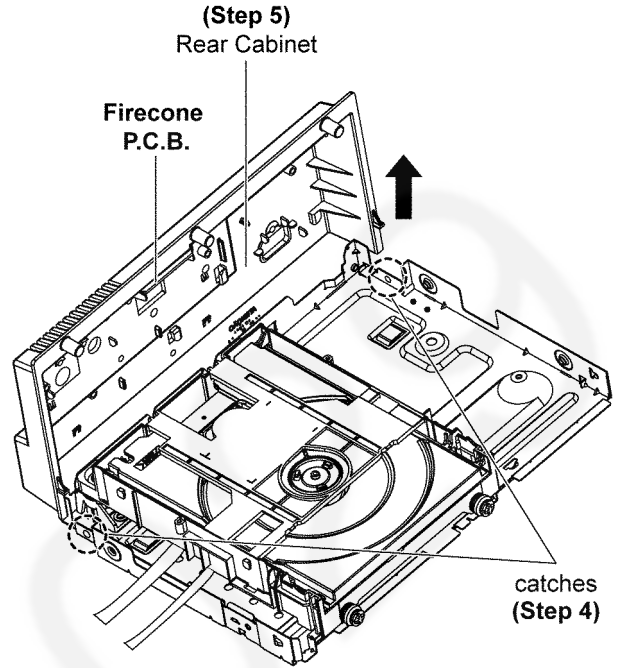
Step 2 Remove screw.

Step 3 Remove Inner Chassis.



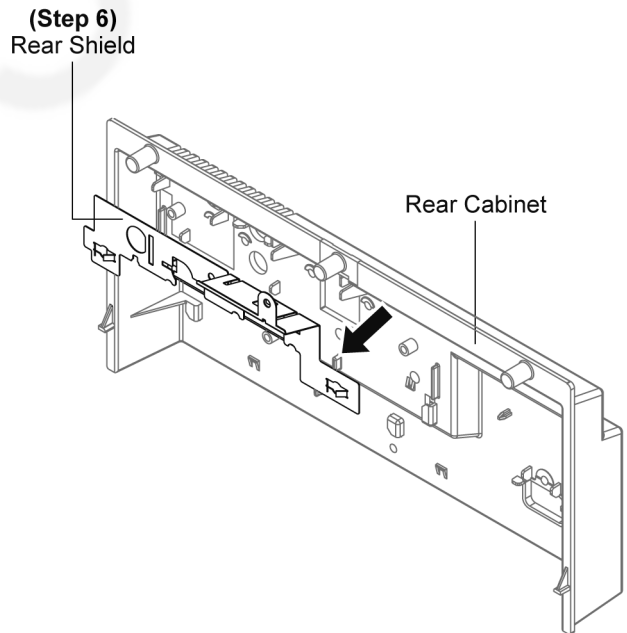
Step 4 Release catches.

Step 5 Remove Rear Cabinet.



Note: Keep Firecone P.C.B. in a safety place.

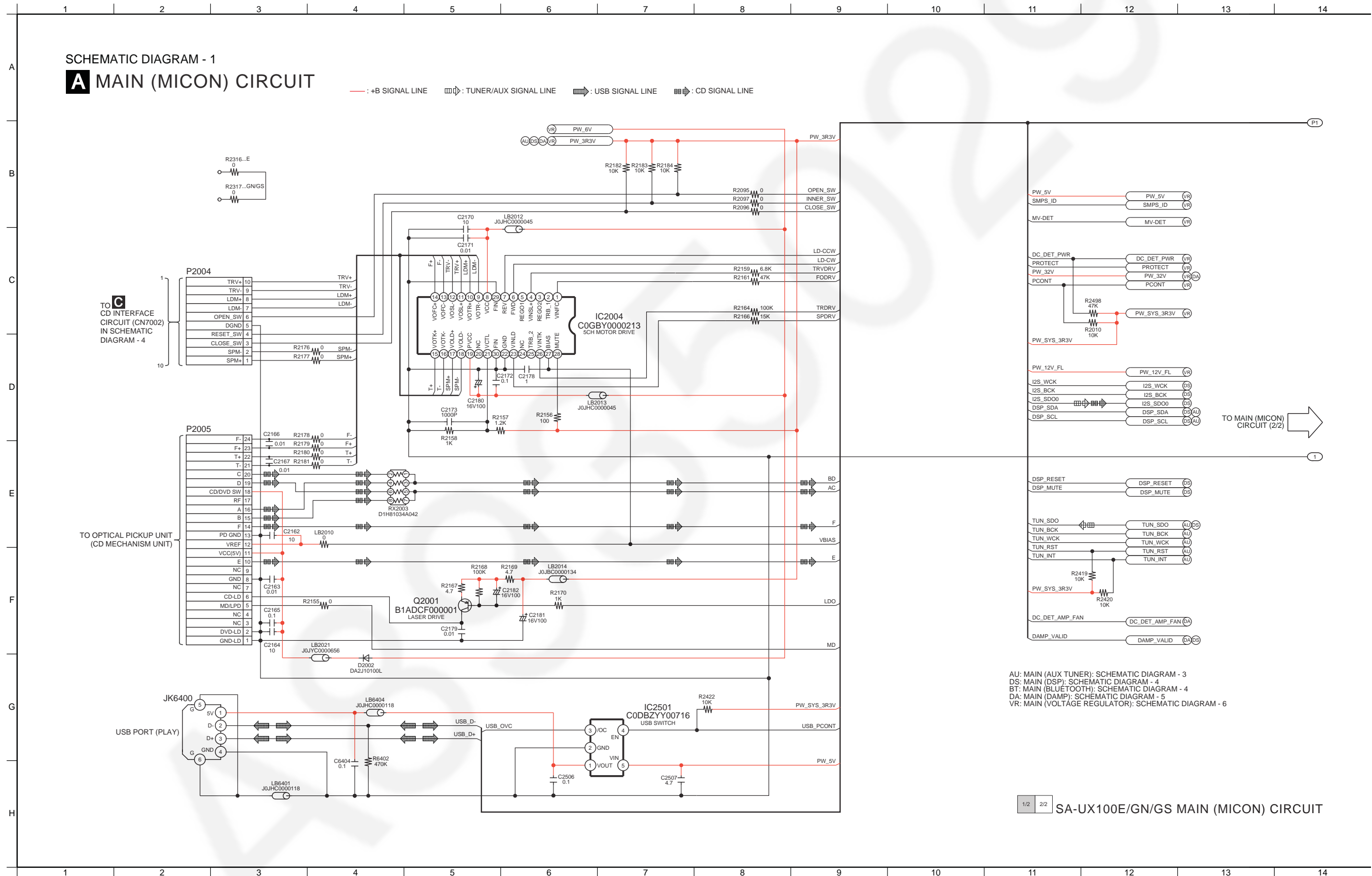
Step 6 Remove Rear Shield.



A8935029

6 Schematic Diagram

6.1. Main (MICON) Circuit (1/2)

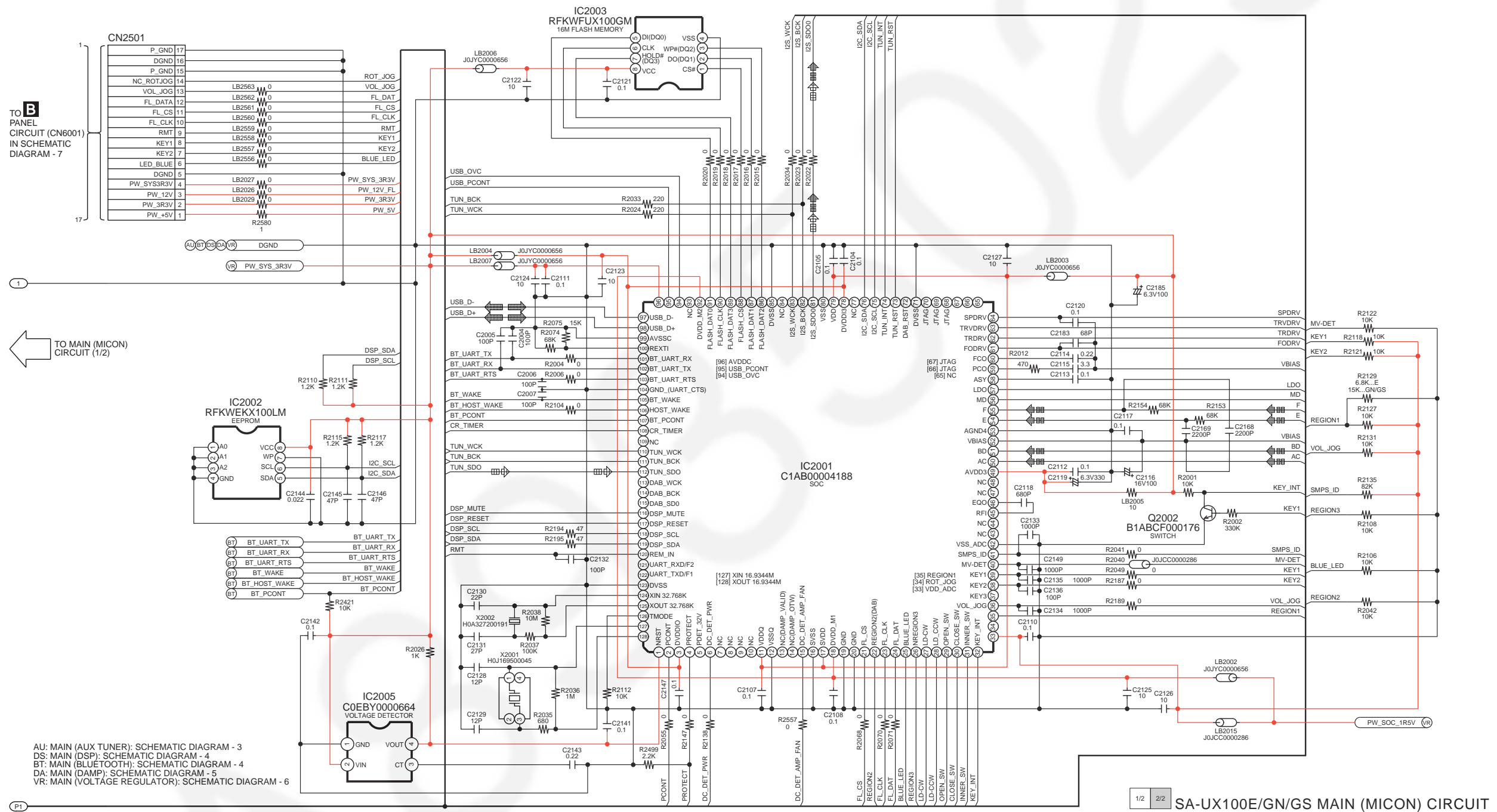


6.2. Main (MICON) Circuit (2/2)

SCHEMATIC DIAGRAM - 2

A MAIN (MICON) CIRCUIT

—: +B SIGNAL LINE : TUNER/AUX SIGNAL LINE : USB SIGNAL LINE : CD SIGNAL LINE

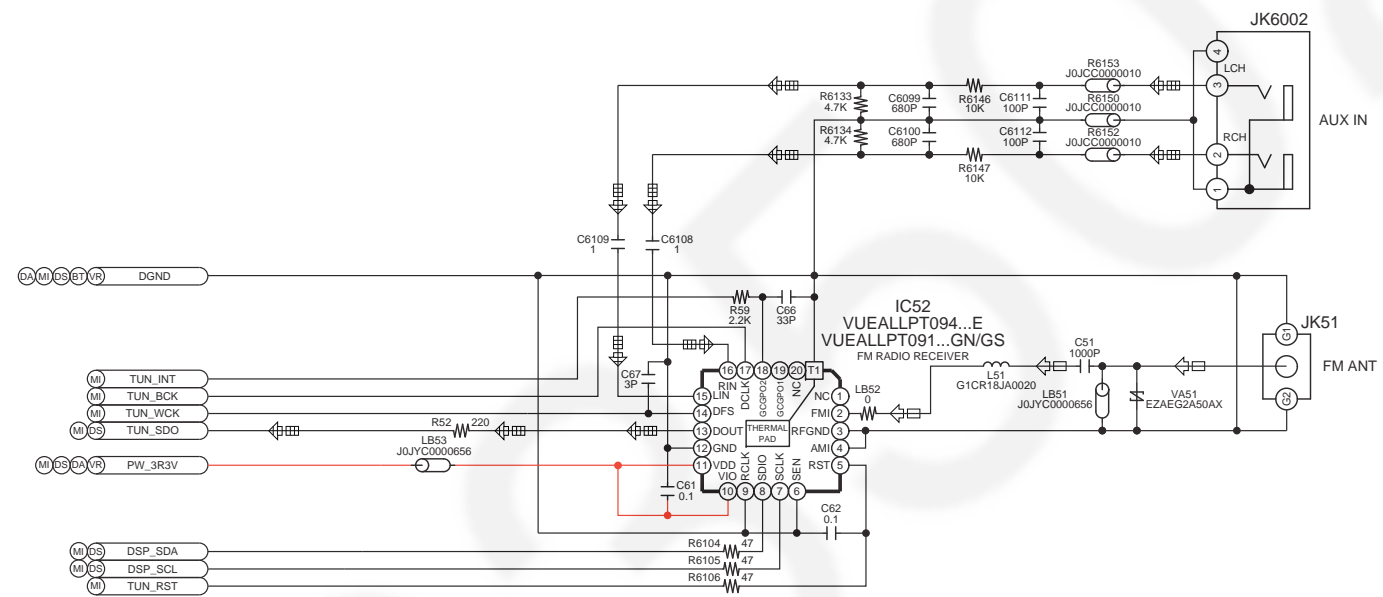


6.3. Main (AUX Tuner) Circuit

SCHEMATIC DIAGRAM - 3

A MAIN (AUX TUNER) CIRCUIT

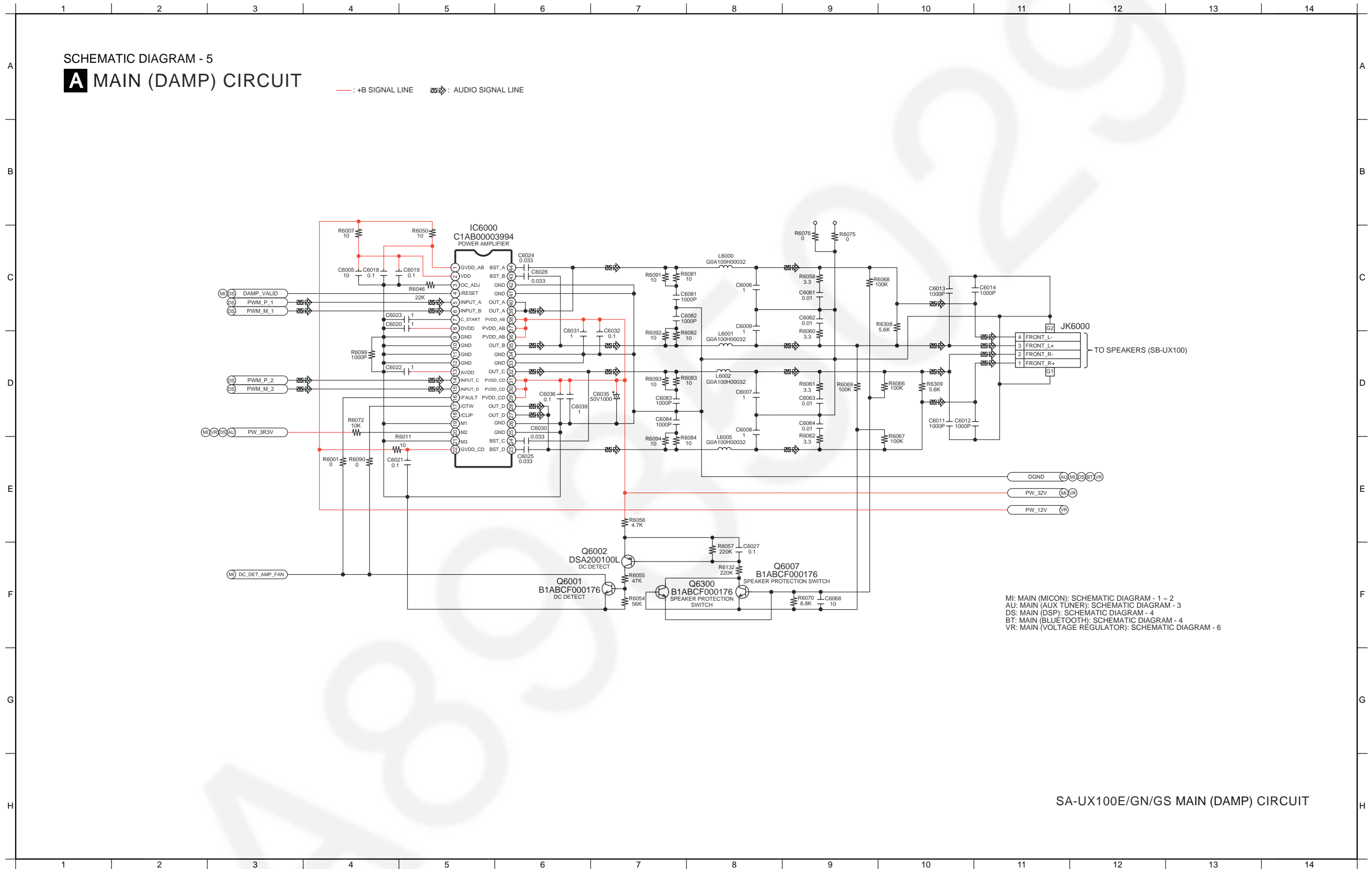
— : +B SIGNAL LINE ⇨ : TUNER/AUX SIGNAL LINE □⇨ : FM SIGNAL LINE



MI: MAIN (MICON); SCHEMATIC DIAGRAM - 1 - 2
 DS: MAIN (DSP); SCHEMATIC DIAGRAM - 4
 BT: MAIN (BLUETOOTH); SCHEMATIC DIAGRAM - 4
 DA: MAIN (DAMP); SCHEMATIC DIAGRAM - 5
 VR: MAIN (VOLTAGE REGULATOR); SCHEMATIC DIAGRAM - 6

SA-UX100E/GN/GS MAIN (AUX TUNER) CIRCUIT

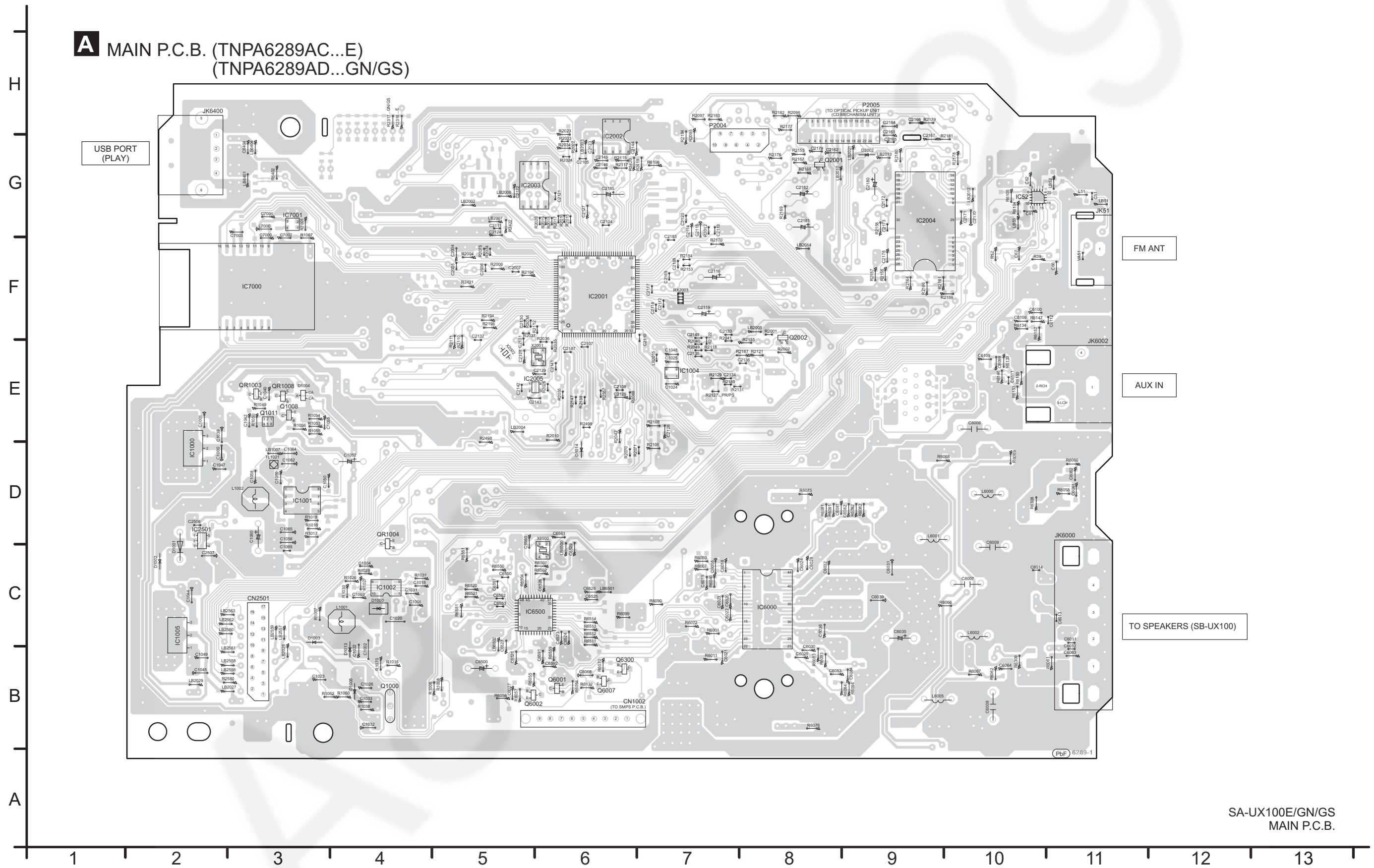
6.4. Main (DAMP) Circuit



7 Printed Circuit Board

7.1. Main P.C.B.

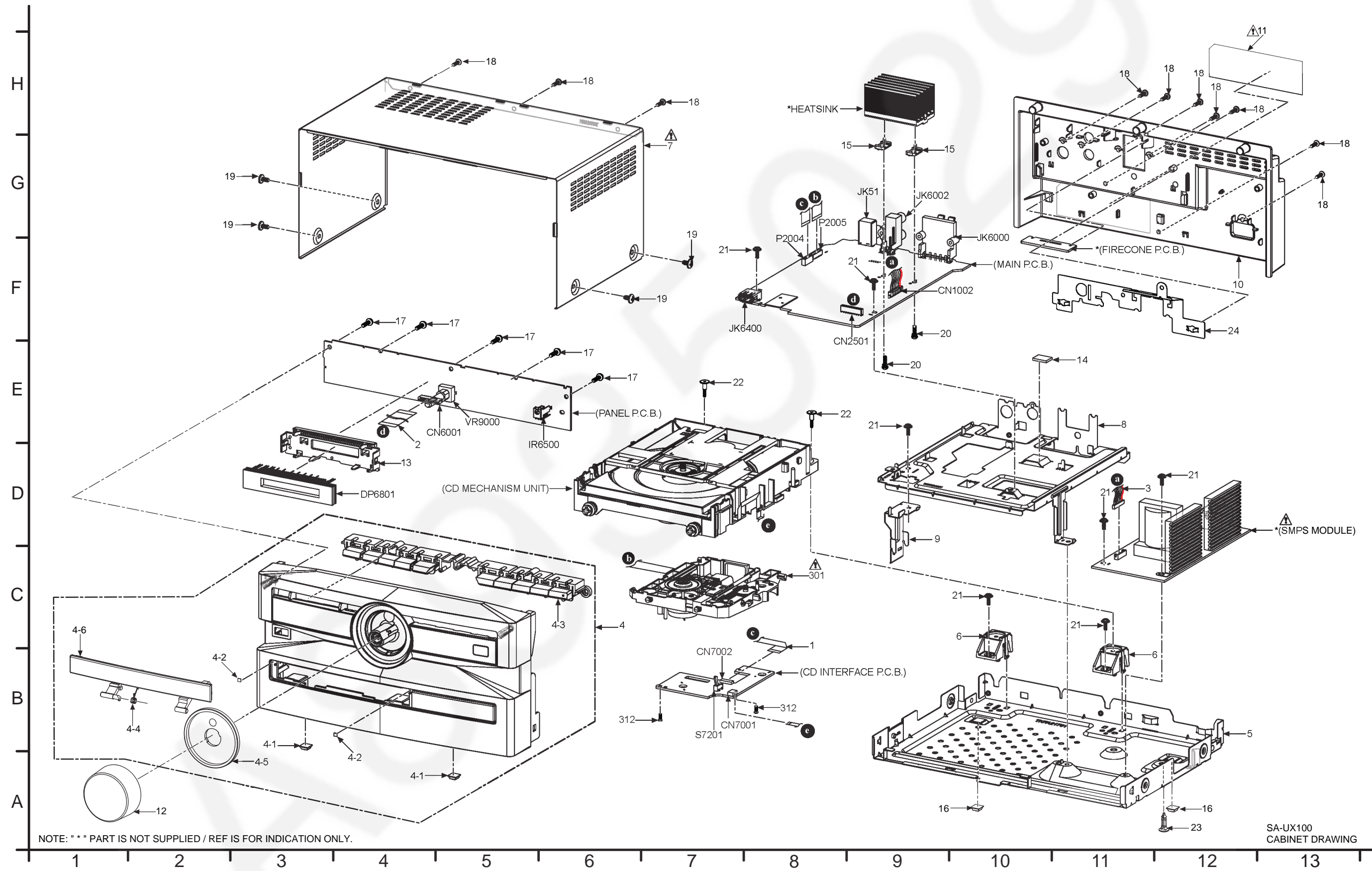
A MAIN P.C.B. (TNPA6289AC...E)
(TNPA6289AD...GN/GS)



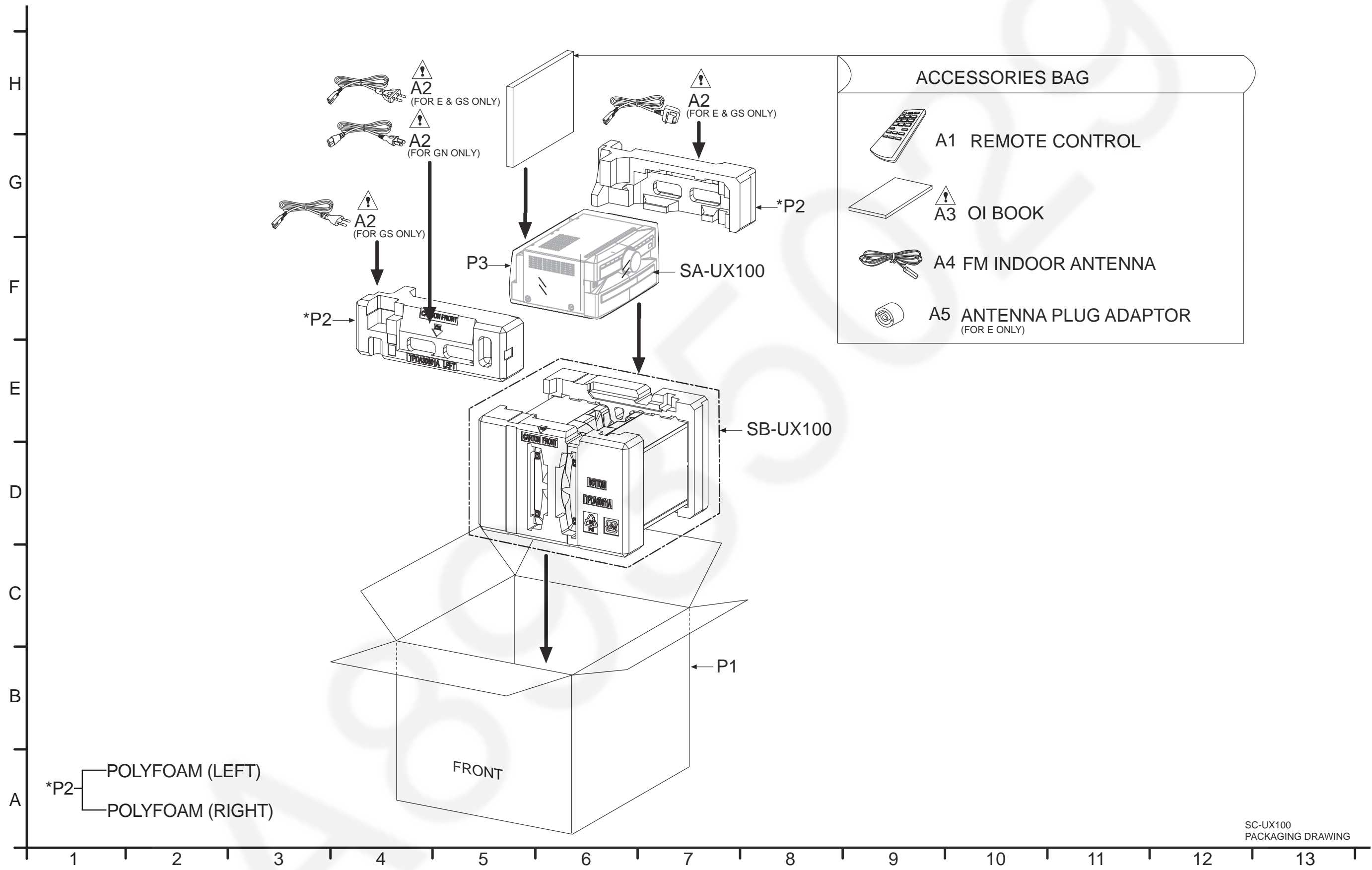
SA-UX100E/GN/GS
MAIN P.C.B.

8 Exploded View and Replacement Parts List

8.1. Cabinet Parts Location 1



8.2. Packaging



SC-UX100
PACKAGING DRAWING

8.3. Mechanical Replacement Part List

Important Safety Notice

Components identified by \triangle mark have special characteristics important for safety. When replacing any of these components, use only manufacturer's specified parts.

RTL (Retention Time Limited)

Note: The marking (RTL) indicates that the Retention Time is Limited for this item.

After the discontinuation of this assembly in production, the item will continue to be available for a specific period of time. The retention period of availability is dependant on the type of assembly, and in accordance with the laws governing part and product retention. After the end of this period, the assembly will no longer be available.

Note:

- When replacing any of these components, be sure to use only manufacturer's specified parts shown in the replacement part list.
- The parenthesized indications on the Remarks column specify the destination & product color (Refer to the cover page for the information).
- Parts without these indications shall be used for all areas.
- This product uses a laser diode. Refer to "Precaution of Laser Diode".
- All parts mentioned are supplied by PAVCJM unless indicated likewise.
- Reference for O/I book languages are as follows:

Ar:	Arabic	Du:	Dutch	It:	Italian	Sp:	Spanish
Cf:	Canadian French	En:	English	Ko:	Korean	Sw:	Swedish
Cz:	Czech	Fr:	French	Po:	Polish	Co:	Traditional Chinese
Da:	Danish	Ge:	German	Ru:	Russian	Cn:	Simplified Chinese
Pe:	Persian	Ur:	Ukraine	Pr:	Portuguese	Fi:	Finnish

Safety	Ref. No.	Part No.	Part Name & Description	Qty	Remarks
			CABINET AND CHASSIS		
	1	REE1730	10P FFC (CD INTERFACE-MAIN)	1	
	2	TZH3QKZ001	17P FFC (PANEL-MAIN)	1	
	3	TNMX022	9P WIRE (MAIN-SMPS)	1	
	4	TTPA0640	FRONT PANEL UNIT	1	
	4-1	RKAX0042-K	LEG CUSHION	2	
	4-2	RMGX0033	DAMPER	2	
	4-3	TBXA60101	FUNCTION BUTTON	1	
	4-4	TESD131	CD LID SPRING	1	
	4-5	TKKC54691	LIGHTING PIECE	1	
	4-6	TKPB65701	CD LID	1	
	5	TYL0005	BOTTOM CHASSIS UNIT	1	
	6	TEKL001	CD MECHA SUPPORT	2	
\triangle	7	TKFA22101	TOP CABINET	1	
	8	TKFA21801	INNER CHASSIS	1	
	9	TKFA21901	CHASSIS SUPPORT	1	
	10	TKFE35001E	REAR CABINET	1	
\triangle	11	TBMK4271B	NAME PLATE	1	GN
\triangle	11	TBMK4271C	NAME PLATE	1	GS
\triangle	11	TBMK4271D	NAME PLATE	1	E
	12	TBXA60201	VOLUME KNOB	1	
	13	RMN1049-1	FL HOLDER	1	

Safety	Ref. No.	Part No.	Part Name & Description	Qty	Remarks
	14	RSC1228A	THERMAL PAD	1	
	15	RMZX1022-1	PCB SPACER	2	
	16	RKAX0042-K	LEG CUSHION	2	
	17	RHD26046-L	SCREW	5	
	18	XTB3+10JFJ-J	SCREW	10	
	19	RHD30007-K2J	SCREW	4	
	20	RHD26078	SCREW	2	
	21	RHD30111-31	SCREW	7	
	22	RHD3031008	SCREW	2	
	23	RMNX0298	PCB SPACER	1	
	24	TUCC66651	REAR SHIELD	1	
			TRAVERSE DECK		
\triangle	301	TXQ0011	TRAVERSE ASS'Y	1	(E.S.D)
	312	XTN2+6GFJ	SCREW	2	
			PACKING MATERIALS		
	P1	TPCD51201	PACKING CASE	1	GN
	P1	TPCD51301	PACKING CASE	1	GS
	P1	TPCD51401	PACKING CASE	1	E
	P2	TPDA30601	POLYFOAM	1	
	P3	RPH0311A	MIRAMAT SHEET	1	
			ACCESSORIES		
	A1	N2QAYB001019	REMOTE CONTROL	1	
\triangle	A2	K2CJ2YY00101	AC CORD	1	GN
\triangle	A2	K2CP2YY00061	AC CORD	1	GS

Safety	Ref. No.	Part No.	Part Name & Description	Qty	Remarks
△	A2	K2CQ2YY00119	AC CORD	1	E,GS
△	A2	K2CT2YY00097	AC CORD	1	E,GS
△	A3	TQBJ0969	O/I (En)	1	GN,GS
△	A3	TQBJ0970	O/I (Cn)	1	GS
△	A3	TQBJ0971	O/I (Ge/Fr/It/Du)	1	E
△	A3	TQBJ0972	O/I (Sp/Po/Cz)	1	E
△	A3	TQBJ0975	O/I (Ar)	1	GS
△	A3	TQBJ0976	O/I (En/Sw/Da/Fi)	1	E
	A4	RSAX0002	FM INDOOR ANTENNA	1	
	A5	K1YZ02000013	ANTENNA PLUG ADAPTOR	1	E

8.4. Electrical Replacement Part List

Important Safety Notice

Components identified by Δ mark have special characteristics important for safety.
When replacing any of these components, use only manufacturer's specified parts.

RTL (Retention Time Limited)

Note: The marking (RTL) indicates that the Retention Time is Limited for this item.

After the discontinuation of this assembly in production, the item will continue to be available for a specific period of time. The retention period of availability is dependant on the type of assembly, and in accordance with the laws governing part and product retention. After the end of this period, the assembly will no longer be available.

Note:

- When replacing any of these components, be sure to use only manufacturer's specified parts shown in the replacement part list.
- The parenthesized indications on the Remarks column specify the destination & product color (Refer to the cover page for the information).
- Parts without these indications shall be used for all areas.
- This product uses a laser diode. Refer to "Precaution of Laser Diode".
- Capacitor value are in microfarads (μ F) unless specified otherwise, P=Pico-farads (μ F), F=Farads.
- Resistance values are in ohms, unless specified otherwise, 1K=1000 (OHM).
- All parts mentioned are supplied by PAVCJM unless indicated likewise.
- Parts mentioned [SPG] in the Remarks column are supplied by JAPAN.

E.S.D. standards for Electrostatically Sensitive Devices, refer to "PREVENTION OF ELECTROSTATIC DISCHARGE (ESD) TO ELECTROSTATIC SENSITIVE (ES) DEVICES" section.

Safety	Ref. No.	Parts No.		Parts name & Description	Qty	Remarks
		SA-AKX100PS	SA-UX100E/GN/GS			
	PCB1	TNPA6289	TNPA6289AC	MAIN P.C.B	1	(RTL) E
	PCB1	TNPA6289AB	TNPA6289AD	MAIN P.C.B	1	(RTL) GN, GS
	IC2003	RFKWFXX100LM	RFKWFUX100GM	IC	1	(E.S.D)
	C1033	F1H1H103B047	D0GB681JA065	680 1/10W	1	
	C2004	-	F1H1H101B052	100pF 50V	1	
	C2005	-	F1G1H101A834	100pF 50V	1	
	C2006	-	F1G1H101A834	100pF 50V	1	
	C2007	-	F1G1H101A834	100pF 50V	1	
	C6011	-	F1G1H102A830	1000pF 50V	1	
	C6012	-	F1G1H102A830	1000pF 50V	1	
	C6013	-	F1G1H102A830	1000pF 50V	1	
	C6014	-	F1G1H102A830	1000pF 50V	1	
	C6031	F1J1H105A918	F1J1H105A832	1uF 50V	1	
	C6039	F1J1H105A918	F1J1H105A832	1uF 50V	1	
	C6081	-	F1H1H102B047	1000pF 50V	1	
	C6082	-	F1H1H102B047	1000pF 50V	1	
	C6083	-	F1H1H102B047	1000pF 50V	1	
	C6084	-	F1H1H102B047	1000pF 50V	1	
	LB2026	D0GBR00J0004	J0JYC0000656	Inductor	1	
	LB2027	D0GBR00J0004	J0JYC0000656	Inductor	1	
	LB2029	D0GBR00J0004	J0JYC0000656	Inductor	1	
	LB2556	D0GBR00J0004	J0JYC0000656	Inductor	1	
	LB2557	D0GBR00J0004	J0JYC0000656	Inductor	1	
	LB2558	D0GBR00J0004	J0JYC0000656	Inductor	1	
	LB2559	D0GBR00J0004	J0JYC0000656	Inductor	1	
	LB2560	D0GBR00J0004	J0JYC0000656	Inductor	1	
	LB2561	D0GBR00J0004	J0JYC0000656	Inductor	1	
	LB2562	D0GBR00J0004	J0JYC0000656	Inductor	1	
	LB2563	D0GBR00J0004	J0JYC0000656	Inductor	1	
	R1038	D0GB222JA065	D0GB681JA065	680 1/10W	1	
	R1060	D0GBR00J0004	J0JYC0000656	Inductor	1	

Safety	Ref. No.	Parts No.		Parts name & Description	Qty	Remarks
		SA-AKX100PS	SA-UX100E/GN/GS			
	R2004	D0GBR00J0004	J0JCC0000309	Inductor	1	
	R2006	D0GBR00J0004	J0JCC0000309	Inductor	1	
	R2015	D0GAR00J0005	J0JYC0000100	Inductor	1	
	R2016	D0GAR00J0005	J0JYC0000100	Inductor	1	
	R2017	D0GAR00J0005	J0JYC0000100	Inductor	1	
	R2018	D0GAR00J0005	J0JYC0000100	Inductor	1	
	R2019	D0GAR00J0005	J0JYC0000100	Inductor	1	
	R2020	D0GAR00J0005	J0JYC0000100	Inductor	1	
	R2022	D0GAR00J0005	J0JCC0000287	Inductor	1	
	R2023	D0GBR00J0004	J0JCC0000215	Inductor	1	
	R2041	D0GAR00J0005	J0JCC0000286	Inductor	1	
	R2049	D0GAR00J0005	J0JCC0000286	Inductor	1	
	R2055	D0GAR00J0005	J0JCC0000277	Inductor	1	
	R2068	D0GAR00J0005	J0JCC0000277	Inductor	1	
	R2070	D0GAR00J0005	J0JCC0000277	Inductor	1	
	R2071	D0GAR00J0005	J0JCC0000277	Inductor	1	
	R2095	D0GBR00J0004	J0JCC0000309	Inductor	1	
	R2096	D0GBR00J0004	J0JCC0000309	Inductor	1	
	R2097	D0GBR00J0004	J0JCC0000309	Inductor	1	
	R2104	D0GBR00J0004	J0JCC0000309	Inductor	1	
	R2129	D0GB272JA065	D0GB153JA065	15K 1/10W	1	GN/GS
	R2129	D0GB272JA065	D0GB682JA065	6.8K 1/10W	1	E
	R2135	D0GB333JA065	D0GB823JA065	82K 1/10W	1	
	R2138	D0GAR00J0005	J0JCC0000277	Inductor	1	
	R2147	D0GAR00J0005	J0JCC0000277	Inductor	1	
	R2155	D0GBR00J0004	J0JCC0000309	Inductor	1	
	R2176	D0GBR00J0004	J0JCC0000309	Inductor	1	
	R2177	D0GBR00J0004	J0JCC0000309	Inductor	1	
	R2178	D0GBR00J0004	J0JCC0000309	Inductor	1	
	R2179	D0GBR00J0004	J0JCC0000309	Inductor	1	
	R2180	D0GBR00J0004	J0JCC0000309	Inductor	1	
	R2181	D0GBR00J0004	J0JCC0000309	Inductor	1	
	R2187	D0GBR00J0004	J0JBC0000010	Inductor	1	
	R2189	D0GAR00J0005	J0JCC0000286	Inductor	1	
	R2316	-	D0GBR00J0004	0 1/10W	1	E
	R2317	-	D0GBR00J0004	0 1/10W	1	GN/GS
	R2319	D0GBR00J0004	-	Inductor	1	
	R2557	D0GAR00J0005	J0JCC0000277	Inductor	1	
	R6075	-	D0GBR00J0004	0 1/10W	1	
	R6076	-	D0GBR00J0004	0 1/10W	1	
	R6081	-	D0GB100JA065	10 1/10W	1	
	R6082	-	D0GB100JA065	10 1/10W	1	
	R6083	-	D0GB100JA065	10 1/10W	1	
	R6084	-	D0GB100JA065	10 1/10W	1	
	R6091	-	D0GB100JA065	10 1/10W	1	
	R6092	-	D0GB100JA065	10 1/10W	1	
	R6093	-	D0GB100JA065	10 1/10W	1	
	R6094	-	D0GB100JA065	10 1/10W	1	
	R6099	-	F1H1H102B047	1000pF 50V	1	
	R6150	D0GBR00J0004	J0JCC0000010	Inductor	1	
	R6152	D0GBR00J0004	J0JCC0000010	Inductor	1	
	R6153	D0GBR00J0004	J0JCC0000010	Inductor	1	

MMH1609