

ORDER NO.EFD0809T14CE

Service Manual

Stand Fan

Model No. **F-407W F-407X F-407Y**
F-407XH F-407YS



© 2007 Matsushita Electric Industrial CO., Ltd. All rights reserved. Unauthorized copying and distribution is a violation of law.

WARNING

This service information is designed for experienced repair technicians only and is not designed for use by the general public. It does not contain warnings or cautions to advise non-technical individuals of potential dangers in attempting to service a product. Products powered by electricity should be serviced or repaired only by experienced professional technicians. Any attempt to service or repair the product or products dealt with in this service information by anyone else could result in serious injury or death.

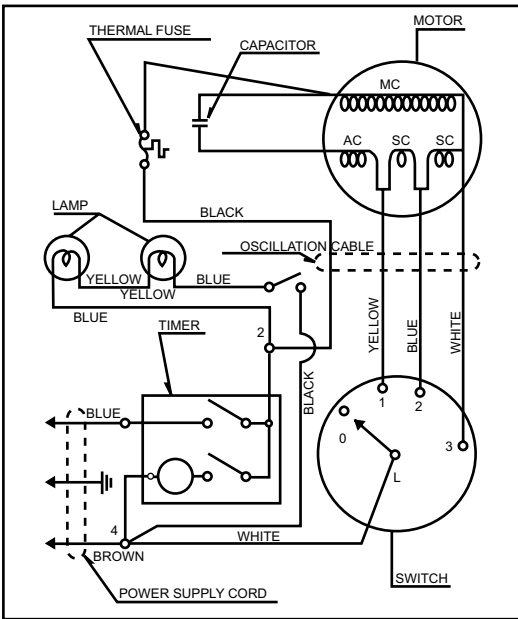
Panasonic®

SPECIFICATION

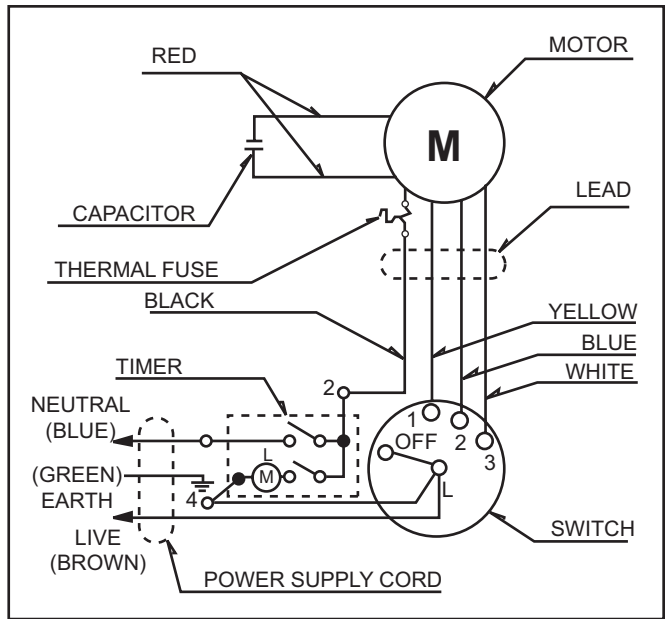
MODEL	AC220V ~ AC240V 50Hz							
	WATTAGE		RPM		AIR VELOCITY		AIR DELIVERY	
	Low	High	Low	High	m/min	ft/min	m ³ /min	ft ³ /min
F-407W	44-56	54-71	770-975	1150-1265	236	771	68	2401
F-407X/F-407XH	39-51	50-64	770-975	1150-1265	236	771	68	2401
F-407Y (Metal)	37-45	47-53	827-940	1160-1261	213	234	59	65
F-407YS (Metal)	37-42	47-53	827-932	1219-1261	213	234	59	65

MODEL	AC127V 60Hz							
	WATTAGE		RPM		AIR VELOCITY		AIR DELIVERY	
	Low	High	Low	High	m/min	ft/min	m ³ /min	ft ³ /min
F-407W	52-59	59-68	820-910	1210-1310	243	797	71	2507
F-407X	48-54	59-68	820-950	1210-1310	243	797	71	2507
F-407Y (Metal)	38-47	58-61	751-880	1220-1295	224	243	63	68

WIRING DIAGRAM

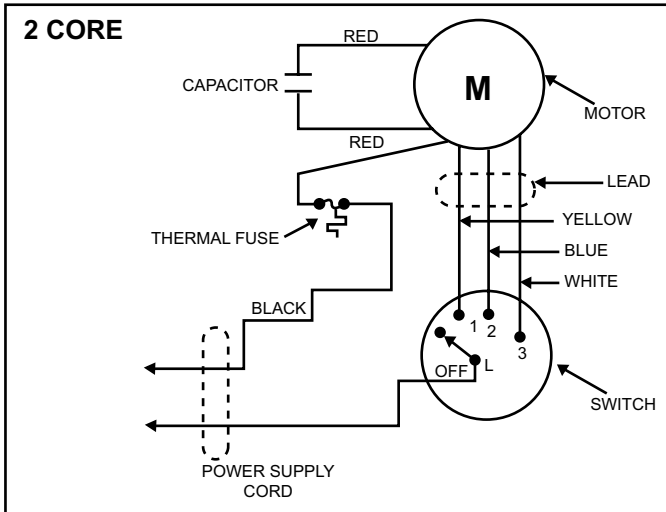


F-407W

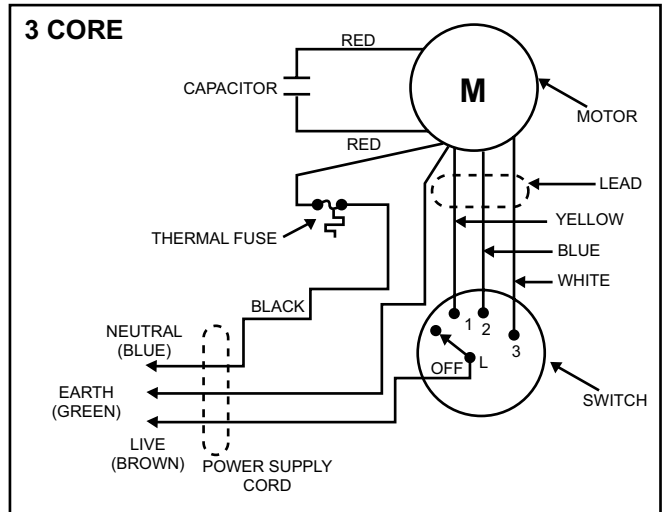


F-407X

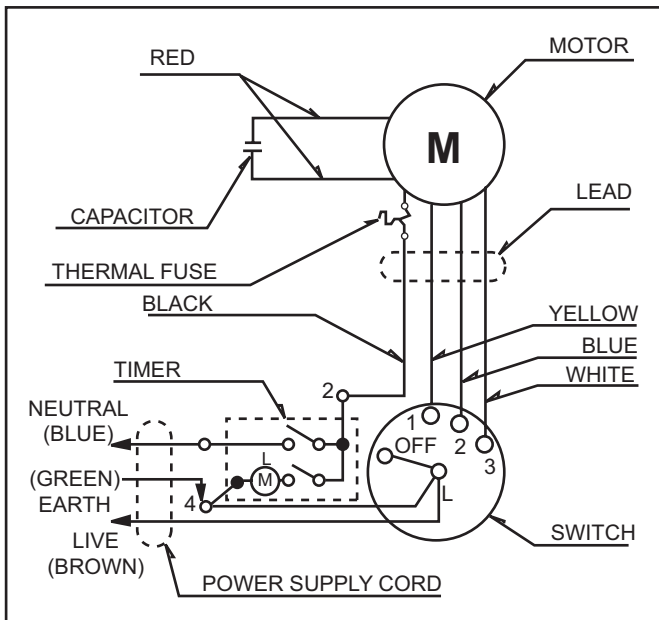
WIRING DIAGRAM



F-407Y/F-407YS

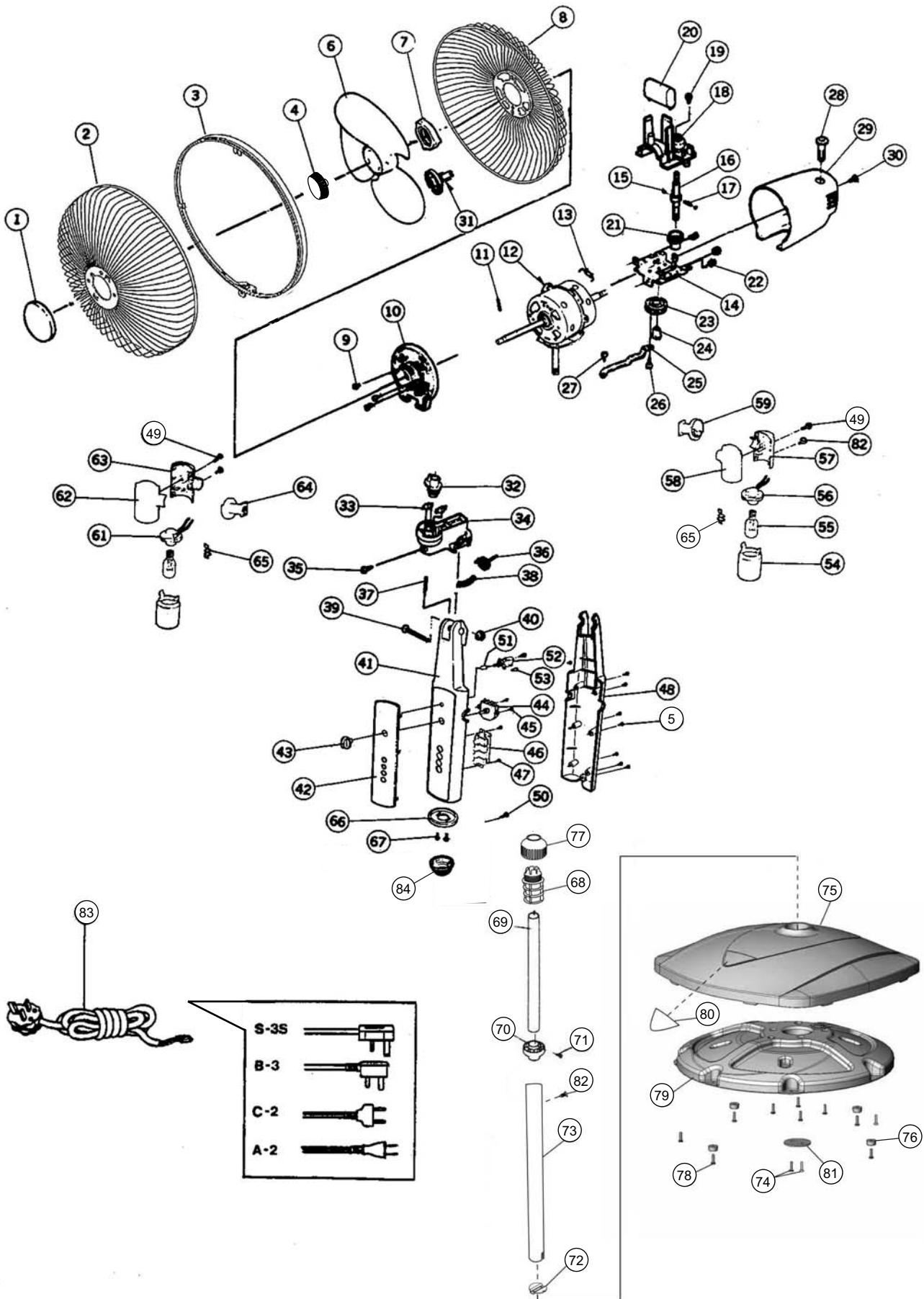


F-407Y/F-407YS



F-407XH

LOCATION OF PARTS F-407W



REPLACEMENT PART LIST

F-407W

Ref No.	Part No.	Part Name	Qty	Remarks
1	FFE090395CJM	Guard Mark	1	Gold M0028
2	FFE090101CWM	Front Guard	1	White BZ054
(2)	FFE090101CEM	Front Guard	1	Black N0224
3	FFE093195CIM	Guard Ring	1	Grey N0118
(3)	FFE09319302M	Guard Ring	1	Blue B0250
4	FFE080295KAM	Spinner	1	Blue BZ344
(4)	FFE080295KJM	Spinner	1	Gold YR318
5	XTT5+10CFJ	Truss Tap Screw	7	
6	FFE080195KAM	Blade	1	Blue BZ344
(6)	FFE080195KJM	Blade	1	Gold M0088
7	FFE0909950WM	Guard Fitter	1	White BZ054
(7)	FFE0909950EM	Guard Fitter	1	Black N0999
8	FFE090201DWM	Rear Guard	1	White BZ054
(8)	FFE090201DEM	Rear Guard	1	Blue B0250
9	XSB4+8CFJ	Motor Cover Screw	3	
10	FFE02049202M	Front Outer Cover	1	Blue B0250
(10)	FFE02049501M	Front Outer Cover	1	Grey N0118
11	FFE08070701M	Blade Pin	1	
12	FFE06000004M	Motor Complete	1	200V class
13	XBE10M285	Thermal Fuse	1	
14	FFE03029001M	Gear Box	1	
15	FFE05030001M	Clutch Ball	2	
16	FFE03039201M	Clutch Shaft	1	
17	FFE05040800M	Clutch Spring	1	
18	FFE03199201M	Gear Box Cover	1	
19	XSB4+8FU	Earth Wire Screw	1	
20	FFE04099002M	Capacitor	1	220V class
21	FFE03089001M	Worm Wheel	1	
22	XSB4+8FU	Gear Box Screw	3	
23	FFE03099201M	Gear	1	
24	FFE03209202M	Gear Axle	1	
25	FFE03099202M	Rod	1	
26	FFE05099201M	Rod Setting Gear Screw	1	
27	FFE05098301M	Rod Setting Screw	1	
28	FFE0305950WM	Clutch Nut	1	White BZ054
(28)	FFE0305980EM	Clutch Nut	1	Black N0999
29	FFE03140102M	Rear Outer Cover	1	Blue B0250
(29)	FFE03140101M	Rear Outer Cover	1	Grey N0118
30	XSB4+8CFJ	Rear Outer Cover Screw	1	
31	FFE08048602M	Blade Boss	1	
32	FFE05059202M	Upper Kneejoint	1	
33	FFE05049204M	Kneejoint Spring	2	
34	FFE05019205M	Lower Kneejoint	1	Blue B0250
(34)	FFE050195CIM	Lower Kneejoint	1	Grey N0118
35	XTT4+10CFJ	Yoke Screw	1	
36	FFE05108301M	Angle Adjust Spring	1	
37	FFE05049205M	Ball Spring	1	
38	FFE05079201M	Ball Holding Plate	1	
39	XSN8+35CFJ	Kneejoint Axle	1	
40	XNG8JFZ	Kneejoint Axle Nut	1	
41	FFE05120102M	Switch Box	1	Blue B0250
(41)	FFE05120105M	Switch Box	1	Grey N0118
42	FFE05169315M	Panel	1	
43	FFE10029303M	Timer Knob	1	

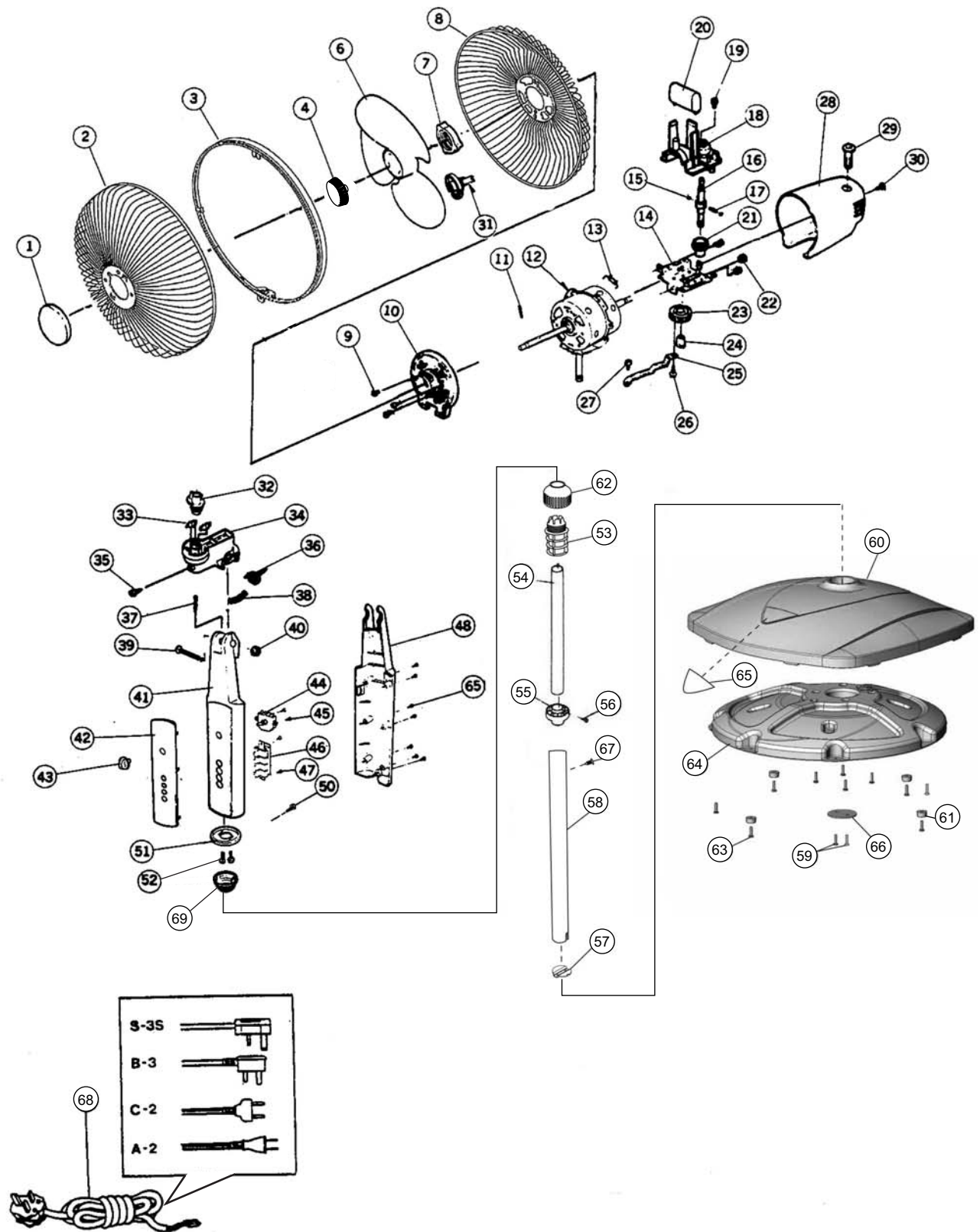
REPLACEMENT PART LIST

F-407W

Ref No.	Part No.	Part Name	Qty	Remarks
44	FFE14018302M	Timer	1	200V class
45	XTB4+10CFJ	Truss Tap Screw	2	
46	FFE10019303M	Switch Ass'y	1	
47	XTB4+10CFJ	Truss Tap Screw	2	
48	FFE05139302M	Switch Box Cover	1	Blue B0250
(48)	FFE05139305M	Switch Box Cover	1	Grey N0118
49	XTB4+12CFJ	Bind Tap Screw	2	
50	FFE05339301M	Pipe Set Screw	1	
51	FFE10029304M	Lamp Switch Button	1	
52	FFE10030601M	Lamp Switch	1	
53	XTB3+14CFJ	Bind Tap Screw	1	
54	FFE04569301M	Lamp Cover	1	
55	FFE10139303M	Lamp	2	
(55)	FFE10139302M	Lamp	2	
(55)	FFE10139301M	Lamp	2	
56	FFE10149301M	Socket	1	
57	FFE10319301M	Lamp Holder A	1	
58	FFE10319303M	Lamp Holder C	1	
59	FFE10329301M	Lamp Joint A	1	
60	XTB4+12CFJ	Bind Tap Screw	1	
61	FFE10149301M	Socket	1	
62	FFE10319304M	Lamp Holder D	1	
63	FFE10319302M	Lamp Holder B	1	
64	FFE10329302M	Lamp Joint B	1	
65	FFE05049301M	Lamp Spring	1	
66	FFE05229301M	Switch Box Deco	1	Gold M0028
67	XTB3+14CFJ	Bind Tap Screw	2	
68	FFE04219301M	Freestop Base	1	
69	FFE04180101M	Inner Pipe	1	
70	FFE05249301M	Bumper Washer	1	
71	XTT4+8CFJ	Truss Tap Screw	1	
72	FFE04120601M	Screw Bracket	1	
73	FFE04179302M	Outer Pipe	1	Blue B0250
(73)	FFE04170001M	Outer Pipe	1	Grey N0118
74	X5N5DC12CFJ	Pan Screw (R. Washer)	1	
75	FFE0450010AM	Stand Cover	1	Blue B0250
(75)	FFE0450010IM	Stand Cover	1	Grey N0118
76	FFE04030601M	Stand Rubber	4	
77	FFE04200601M	Freestop Cap	1	B0250
(77)	FFE04200602M	Freestop Cap	1	N0118
78	XSB4+16CFJ	Bind Tap Screw	10	
79	FFE04510601M	Water Weight Ass'y	1	
80	FFE05160602M	Stand Cover Panel	1	
81	FFE05260601M	Round Washer	1	
82	XTT5+10CFJK	Pan Screw	1	
83	FFE120098AM	Cord W/Plug (S-3)	1	
84	FFE05239302M	FreeStop Deco	1	B0250
(84)	FFE05239303M	FreeStop Deco	1	N0118

Colour code: Dark Blue - B0250, BZ344, Grey - N0118, N0371, White - BZ054,
Black - N0999, N0224, Gold - M0228, YR318.

LOCATION OF PARTS F-407X/F-407XH



REPLACEMENT PART LIST

F-407X/F-407XH

Ref No.	Part No.	Part Name	Qty	Remarks
1	FFE090395CJM	Guard Mark	1	Gold M0028
2	FFE090101CWM	Front Guard	1	White BZ054
(2)	FFE090101CEM	Front Guard	1	Black N0224
3	FFE093195CIM	Guard Ring	1	Grey N0118
(3)	FFE09319302M	Guard Ring	1	Blue B0250
4	FFE080295KAM	Spinner	1	Blue BZ344
(4)	FFE080295KJM	Spinner	1	Gold YR318
6	FFE080195KAM	Blade	1	Blue BZ344
(6)	FFE080195KJM	Blade	1	Gold M0088
7	FFE0909950WM	Guard Fitter	1	White BZ054
(7)	FFE0909950EM	Guard Fitter	1	Black N0999
8	FFE090201DWM	Rear Guard	1	White BZ054
(8)	FFE090201DEM	Rear Guard	1	Blue B0250
9	XSB4+8CFJ	Motor Cover Screw	3	
10	FFE02049202M	Front Outer Cover	1	Blue B0250
(10)	FFE0204950IM	Front Outer Cover	1	Grey N0118
11	FFE08070701M	Blade Pin	1	
12	FFE06000004M	Motor Complete	1	200V class
13	XBE10M285	Thermal Fuse	1	
14	FFE03029001M	Gear Box	1	
15	FFE05030001M	Clutch Ball	2	
16	FFE03039201M	Clutch Shaft	1	
17	FFE05040800M	Clutch Spring	1	
18	FFE03199201M	Gear Box Cover	1	
19	XSB4+8CFJ	Earth Wire Screw	1	
20	FFE04099002M	Capacitor	1	220V class
21	FFE03089001M	Worm Wheel	1	
22	XSB4+8CFJ	Gear Box Screw	3	
23	FFE03099201M	Gear	1	
24	FFE03209202M	Gear Axle	1	
25	FFE03099202M	Rod	1	
26	FFE05099201M	Rod Setting Gear Screw	1	
27	FFE05098301M	Rod Setting Screw	1	
28	FFE03140102M	Rear Outer Cover	1	Blue B0250
(28)	FFE03140101M	Rear Outer Cover	1	Grey N0118
29	FFE0305950WM	Clutch Nut	1	White BZ054
(29)	FFE0305980EM	Clutch Nut	1	Black N0999
30	XSB4+8CFJ	Rear Outer Cover Screw	1	
31	FFE08048602M	Blade Boss	1	
32	FFE05059202M	Upper Kneejoint	1	
33	FFE05049204M	Kneejoint Spring	2	
34	FFE05019205M	Lower Kneejoint	1	Blue B0250
(34)	FFE050195CIM	Lower Kneejoint	1	Grey N0118
35	XTT4+10CFJ	Yoke Screw	1	
36	FFE05108301M	Angle Adjust Spring	1	
37	FFE05049205M	Ball Spring	1	
38	FFE05079201M	Ball Holding Plate	1	
39	XSN8+35CFJ	Kneejoint Axle	1	
40	XNG8JFZ	Kneejoint Axle Nut	1	
41	FFE05120102M	Switch Box	1	Blue B0250
(41)	FFE05120105M	Switch Box	1	Grey N0118
42	FFE05169315M	Panel	1	
43	FFE10029303M	Timer Knob	1	

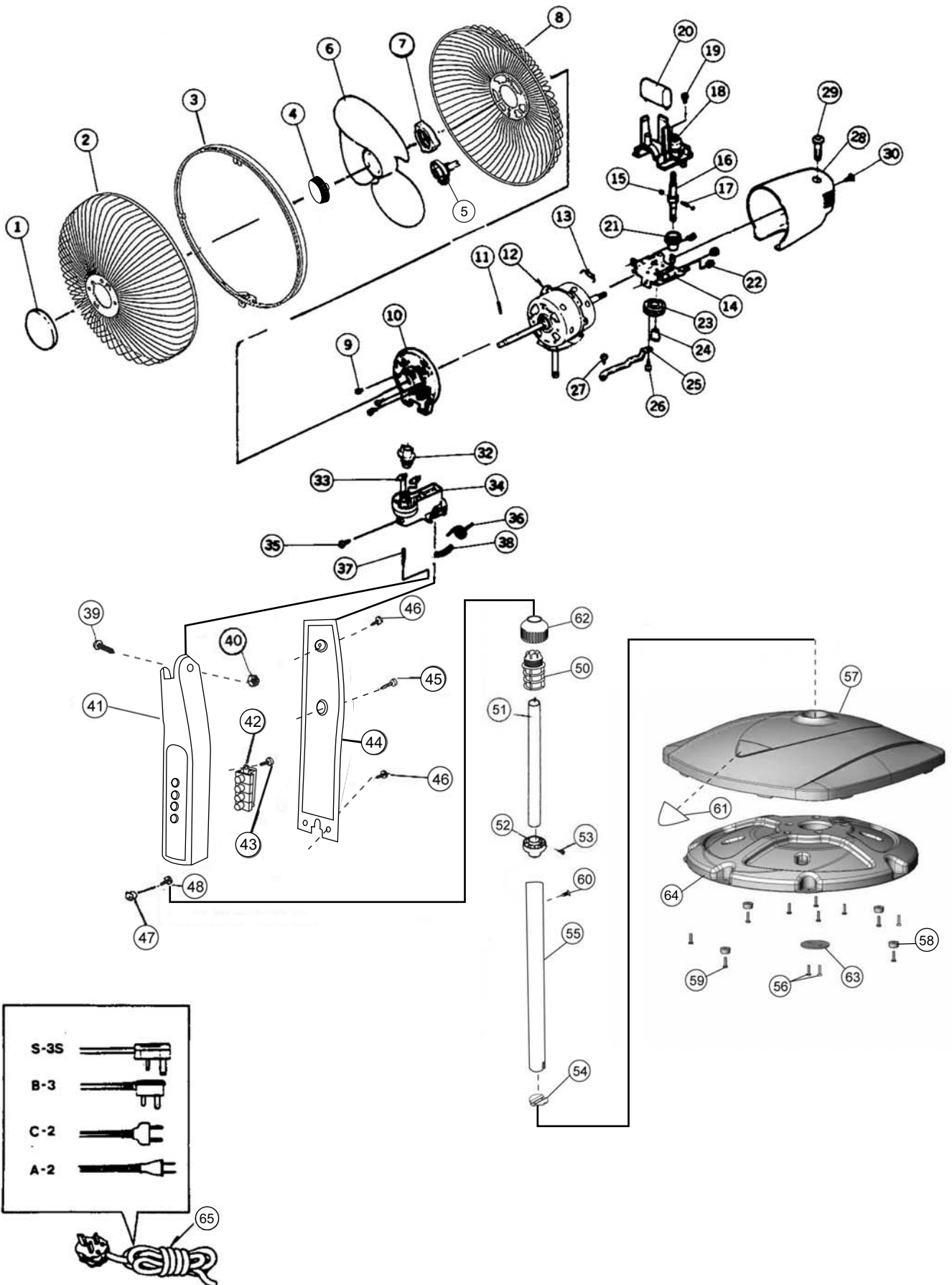
REPLACEMENT PART LIST

F-407X/F-407XH

Ref No.	Part No.	Part Name	Qty	Remarks
44	FFE14018302M	Timer	1	200V class
45	XTB4+10CFJ	Truss Tap Screw	2	
46	FFE10019303M	Switch Ass'y	1	
47	XTB4+10CFJ	Truss Tap Screw	2	
48	FFE05139302M	Switch Box Cover	1	Blue B0250
(48)	FFE05139305M	Switch Box Cover	1	Grey N0118
50	FFE05339301M	Pipe Set Screw	1	
51	FFE05229301M	Switch Box Deco	1	Gold M0028
52	XTB3+14CFJ	Bind Tap Screw	2	
53	FFE04219301M	Freestop Base	1	
54	FFE04180101M	Inner Pipe	1	
55	FFE05249301M	Bumper Washer	1	
56	XTT4+8CFJ	Truss Tap Screw	1	
57	FFE04120601M	Screw Bracket	1	
58	FFE04179302M	Outer Pipe	1	Blue B0250
(58)	FFE04170001M	Outer Pipe	1	Grey N0118
59	X5N5DC12FU	Pan Screw (R. Washer)	1	
60	FFE0450010AM	Stand Cover	1	Blue B0250
(60)	FFE0450010IM	Stand Cover	1	Grey N0118
61	FFE04030601M	Stand Rubber	4	
62	FFE04200601M	Freestop Cap	1	B0250
(62)	FFE04200602M	Freestop Cap	1	N0118
63	XSB4+16CFJ	Bind Tap Screw	10	
64	FFE04510601M	Water Weight Ass'y	1	
65	FFE05160602M	Stand Cover Panel	1	
66	FFE05260601M	Round Washer	1	
67	XTT5+10CFJK	Truss Head Tap Screw	1	
68	FFE120098AM	Cord W/Plug (S-3)	1	
69	FFE05239302M	FreeStop Deco	1	B0250
(69)	FFE05239303M	FreeStop Deco	1	N0118

Colour code: Dark Blue - B0250, BZ344, Grey - N0118, N0371, White - BZ054,
Black - N0999, N0224, Gold - M0228, YR318.

LOCATION OF PARTS F-407Y/F-407YS



REPLACEMENT PART LIST

F-407Y/F-407YS

Ref No.	Part No.	Part Name	Qty	Remarks
1	FFE090395LIM	Guard Mark Ass'y	1	N0118
(1)	FFE0903050AM	Guard Mark Ass'y	1	B0250
2	FFE090195CWM	Front Guard	1	BZ054
(2)	FFE090195CEM	Front Guard	1	N0224
3	FFE093102CIM	Guard Ring	1	N0118
(3)	FFE093102CBM	Guard Ring	1	B0250
4	FFE080295KAM	Spinner	1	BZ344
(4)	FFE080295KJM	Spinner	1	YR318
5	FFE08048602M	Blade Boss	1	
6	FFE080195KAM	Blade	1	BZ344 - Metal
(6)	FFE080195KJM	Blade	1	M0028 - Metal
7	FFE0909950WM	Guard Fitter	1	BZ054
(7)	FFE0909950EM	Guard Fitter	1	N0999
8	FFE090295CWM	Rear Guard	1	BZ054
(8)	FFE090295CEM	Rear Guard	1	N0224
9	XSB4+8CFJ	Motor Cover Screw	3	
10	FFE02049202M	Front Outer Cover	1	B0250
(10)	FFE0204950IM	Front Outer Cover	1	N0118
11	FFE08070701M	Blade Pin	1	
12	FFE06000006M	Motor Complete	1	100V Class
(12)	FFE06000004M	Motor Complete	1	200V Class
13	EYP-2BN109	Thermal Fuse	1	114°C
14	FFE03029001M	Gear Box	1	
15	FFE05030001M	Clutch Ball	2	
16	FFE03039201M	Clutch Shaft	1	
17	FFE05040800M	Clutch Spring	1	
18	FFE03199201M	Gear Box Cover	1	
19	XTB4+8FFX	Earth Wire Screw	1	
20	FFE04099001M	Capacitor	1	110V/120V
(20)	FFE04099002M	Capacitor	1	220V/240V
21	FFE03089001M	Wormwheel	1	
22	XSB4+S6FX	Gear Box Screw	3	
23	FFE03099201M	Gear	1	
24	FFE03209202M	Gear Axle	1	
25	FFE03099202M	Rod	1	
26	FFE05099201M	Rod Setting Gear Screw	1	
27	FFE05098301M	Rod Setting Screw	1	
28	FFE03149202M	Rear Outer Cover	1	B0250
(28)	FFE0314950IM	Rear Outer Cover	1	N0118
29	FFE0305950WM	Clutch Nut	1	BZ054
(29)	FFE03059204M	Clutch Nut	1	N0999
30	XSB4+8FZJ	Rear Outer Cover Screw	1	Black
(30)	XSB4+8FXJ	Rear Outer Cover Screw	1	White
32	FFE05059202M	Upper Kneejoint	1	
33	FFE05049204M	Kneejoint Spring	1	
34	FFE05019205M	Lower Kneejoint	1	B0250
(34)	FFE050195CIIM	Lower Kneejoint	1	N0118
35	XTT4 + 10CFJ	Yoke Screw	1	
36	FFE05108301M	Angle Adjust Spring	1	
37	FFE05049205M	Ball Spring	1	
38	FFE05079201M	Ball Holding Plate	1	
39	XSN8+35CFXJ	Kneejoint Axle	1	White
(39)	XSN8+35CFZJ	Kneejoint Axle	1	Black
40	XNG8JFX	Kneejoint Axle Nut	1	White
(40)	XNG8JFZ	Kneejoint Axle Nut	1	Black
41	FFE05120202M	Switch Box	1	B0250
(41)	FFE0512020IM	Switch Box	1	N0118
42	FFE1001020EM	Switch Ass'y	1	N0999
(42)	FFE1001020IM	Switch Ass'y	1	N0371
43	XTN4+10CFJ	Pan Tap Screw	2	
44	FFE0513020EM	Switch Box Cover	1	N0224
45	1208V0455ZM	Star Head Tap Screw	1	
46	XTB4+14CFJ	Bind Tap Screw	3	
47	FFE04220201M	Insert Nut	1	
48	FFE05339301M	Pipe Set Screw	1	

REPLACEMENT PART LIST

F-407Y/F-407YS

Ref No.	Part No.	Part Name	Qty	Remarks
49	FFE05160601M	Switch Box Panel	1	
50	FFE05230601M	Freestop Base	1	B0250
51	FFE04180601M	Inner Pipe	1	
52	FFE05240601M	Bumper Washer	1	
53	XTTN4+10CFU	Truss Tap Screw	1	
54	FFE04120601M	Screw Bracket	1	
55	FFE04170601M	Outer Pipe	1	B0250
(55)	FFE04170602M	Outer Pipe	1	N0118
56	X5N5DC12FU	Pan Screw (S. Washer)	2	
57	FFE04500601M	Stand Cover	1	B0250
(57)	FFE04500602M	Stand Cover	1	N0118
58	FFE04030601M	Stand Rubber	4	
59	XSB4+16CFJ	Bind Tap Screw	10	
60	XTT5+10CFJK	Truss Head Tap Screw	1	
61	FFE05160602M	Stand Cover Panel	1	
62	FFE04200601M	Freestop Cap	1	B0250
(62)	FFE04200602M	Freestop Cap	1	N0118
63	FFE05260601M	Round Washer	1	
64	FFE04510601M	Water Weight Ass'y	1	
65	FFE12019101M	Cord W/Plug	1	(A-2)
(65)	FFE12019102M	Cord W/Plug	1	(C-2)
(65)	FFE12019130M	Cord W/Plug	1	(B-3)
(65)	FFE12019104M	Cord W/Plug	1	(S-3S)
(65)	FFE12019208M	Cord W/Plug	1	(S-SA)
(65)	FFE12019111M	Cord W/Plug	1	(A-2SA)

Colour code: Dark Blue - B0250, BZ344, Grey - N0118, N0371, White - BZ054,
Black - N0999, N0224, Gold - M0228, YR318.

PACKING LIST

MODEL: F-407W

Part No.	Part Name	Qty	Remarks
F407WZ8801ZM	Carton Box	1	
F407XH8201ZM	Pack A	1	
F407XH8202ZM	Pack B	1	
F407XH8203ZM	Pack C	1	
F407XH8204ZM	Ring Pad	1	
F407WZ9021ZM	Instruction Manual	1	

MODEL: F-407X/F-407XH

Part No.	Part Name	Qty	Remarks
F407XZ8801ZM	Carton Box	1	
F407XH8801ZM	Carton Box	1	
F407XH8201ZM	Pack A	1	
F407XH8202ZM	Pack B	1	
F407XH8203ZM	Pack C	1	
F407XH8204ZM	Ring Pad	1	
F407XH9021ZM	Instruction Manual	1	

MODEL: F-407Y/F-407YS

Part No.	Part Name	Qty	Remarks
F407YZ8801ZM	Carton Box	1	
F407YS8801ZM	Carton Box	1	
F407YS8201ZM	Pack A	1	
F407XH8202ZM	Pack B	1	
F407XH8204ZM	Ring Pad	1	
F407YS9021ZM	Instruction Manual	1	